

the Tea Maker™ Compact

BTM700/STM700



EN USER GUIDE

Sage®



Contents

- 2 Important Safeguards
- 6 Components
- 8 Functions
- 10 Care & Cleaning
- 12 Troubleshooting
- 13 Guarantee

SAGE® RECOMMENDS SAFETY FIRST

At Sage® we are very safety conscious. We design and manufacture consumer products with the safety of you, our valued customer, foremost in mind. In addition we ask that you exercise a degree of care when using any electrical appliance and adhere to the following precautions.

IMPORTANT SAFEGUARDS

READ ALL INSTRUCTIONS BEFORE USE AND SAVE FOR FUTURE REFERENCE

- A downloadable version of this document is also available at sageappliances.com
- Before using for the first time please ensure that your electricity supply is the same as shown on the rating label on the underside of the appliance. If you have any concerns please contact your local electricity company.
- Remove and safely discard any packaging materials before first use.
- To eliminate a choking hazard for young children, safely discard the protective cover fitted to the power plug.
- This appliance has been designed specifically for the purpose of heating and boiling quality drinking water and tea only. Under no circumstances should this product be used to heat or boil any other liquids or foodstuffs.
- Position the appliance on a stable, heat resistant, level, dry surface away from the edge and do not operate on or near a heat source such as a hot plate, oven or gas hob.

- Do not place the appliance on or near a hot gas burner, electric element or where it could touch a heated oven.
- Position the appliance at least 20cm from walls or heat/steam sensitive materials and provide adequate space above and on all sides for air circulation.
- Do not operate the kettle on sink drain board.
- Always ensure the appliance is properly assembled before connecting to a power outlet and operating. Follow the instructions provided in this book.
- The installation of a residual current safety switch is recommended to provide additional safety when using all electrical appliances. Safety switches with a rated operating current not more than 30mA are recommended. Consult an electrician for professional advice.
- The glass jug must be used only with the power base supplied. Do not use on a range top.
- The appliance is not intended to be operated by means of an external timer or separate remote control system.
- Do not touch hot surfaces. Use the handle for lifting and carrying the glass jug.
- Attach the jug lid securely to the glass jug before operation.
- Do not place anything on top of the lid.
- Do not open the jug lid during operation as scalding may occur.
- Extreme caution must be used when moving the glass jug containing hot liquid.
- Use caution when pouring water from the glass jug as boiling water and steam will scald. Do not pour the water too quickly.
- To avoid scalding, never fill the glass jug past the 'WATER MAX' (when heating water) or 'TEA MAX' (when brewing tea) line markings.
- Do not operate the appliance without water. Always fill the glass jug to at least the 'MIN' marking. Should it be operated without water, the boil-dry protection will shut the power off automatically. Allow the appliance to cool before refilling.

**WARNING**

- Do not remove the glass jug from the power base during heating or when the basket is in operation. Ensure the appliance has completed the water heating or tea brewing cycle before removing the glass jug from the power base.

- The use of accessory attachments not recommended by Sage® may result in fire, electric shock or injury to persons.
- Always ensure the appliance is turned OFF, unplugged at the power outlet and has been allowed to cool before cleaning, attempting to move or storing.
- When the appliance is not in use or when left unattended, disconnect the power cord from the wall outlet.
- Allow the appliance to cool down in between brewing cycles.
- Keep the glass jug clean. Follow the cleaning instruction provided in this book.
- Do not use harsh abrasives or caustic cleaners when cleaning this appliance.
- Children should not play with the appliance.
- The glass jug has been specially treated to make it stronger, more durable and safer than ordinary glass, however it is not unbreakable. If dropped or struck extremely hard, it may break or weaken, and could at a later time shatter into many small pieces without apparent cause.
- Any maintenance other than cleaning should be performed by an authorised Sage® service centre.
- The appliance can be used by children aged 8 or older and persons with reduced physical, sensory or mental capabilities or a lack of experience and knowledge, only if they have been given supervision or instruction concerning use of the appliance in a safe way and understand the hazards involved.
- Children should not play with the appliance.
- Always turn the appliance to the OFF position, switch off at the power outlet and unplug at the power outlet when the appliance is not in use.

 **WARNING**

- Do not wash jug exterior under running water.



IMPORTANT SAFEGUARDS FOR ALL ELECTRICAL APPLIANCES

- Fully unwind the power cord before operating.
- This appliance is for household use only. Do not use the appliance for anything other than its intended use. Do not use in moving vehicles or boats. Do not use outdoors. Misuse may cause injury.
- Do not let the power cord hang over the edge of a bench or table, touch hot surfaces or become knotted.
- Close supervision is necessary when any appliance is used by or near children.
- Cleaning of the appliance should not be carried out by children unless they are 8 years or older and supervised.
- The appliance and its cord should be kept out of reach of children aged 8 years and younger.
- Do not use the appliance if the power cord, power plug, or appliance becomes damaged in any way.

If damaged and maintenance other than cleaning is required please contact Sage Customer Service or go to sageappliances.com



WARNING

- Do not operate the appliance on an inclined surface.
- Do not move the appliance while it is switched on.



The symbol shown indicates that this appliance should not be disposed of in normal household waste. It should be taken to a local authority waste collection centre designated for this purpose or to a dealer providing this service. For more information, please contact your local council office.

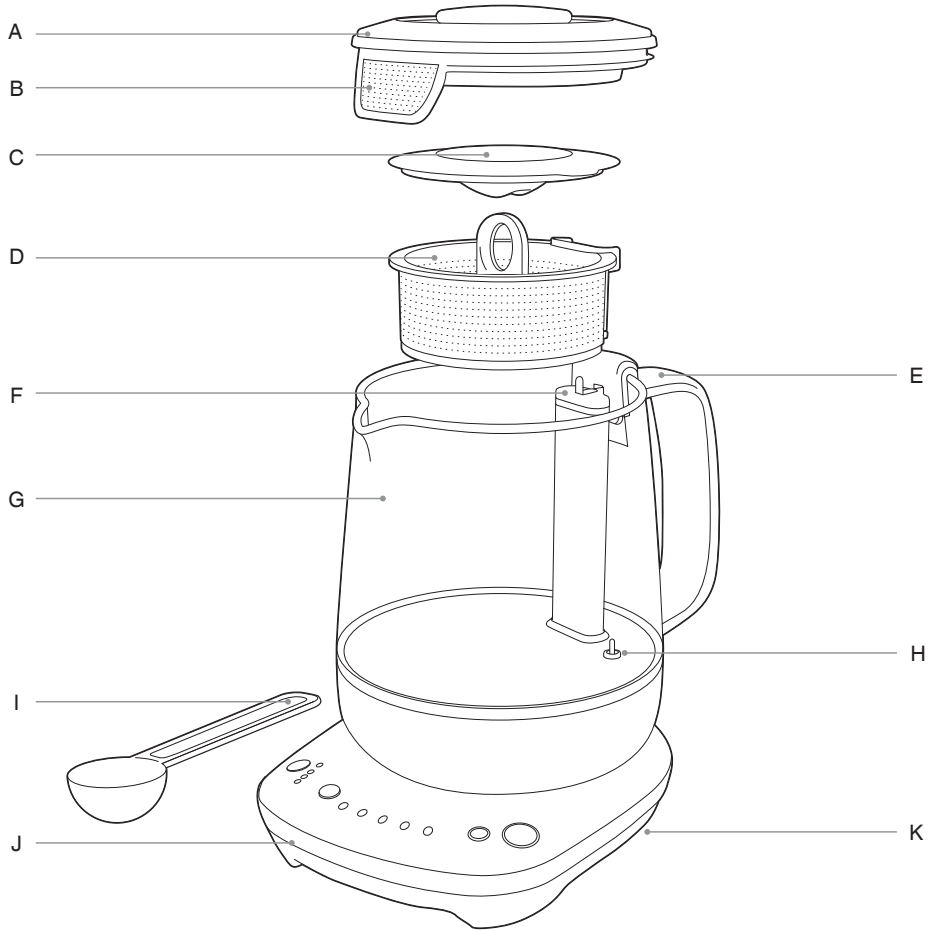


To protect against electric shock, do not immerse the glass jug base, power base, power cord or power plug in water or allow moisture to come in contact with these parts. Avoid spilling water onto the power base's connector. Do not immerse the glass jug or the power base for cleaning.

FOR HOUSEHOLD USE ONLY SAVE THESE INSTRUCTIONS



Components



- A. Jug Lid
- B. Scale Filter
- C. Tea Basket Lid
- D. Tea Basket
- E. Handle
- F. Jug Post

- G. Glass Jug
1000ml water max. 800ml tea max.
- H. Immersed Temperature Sensor
- I. Tea Scoop
- J. Power Base
- K. Cord Storage
Concealed under power base.

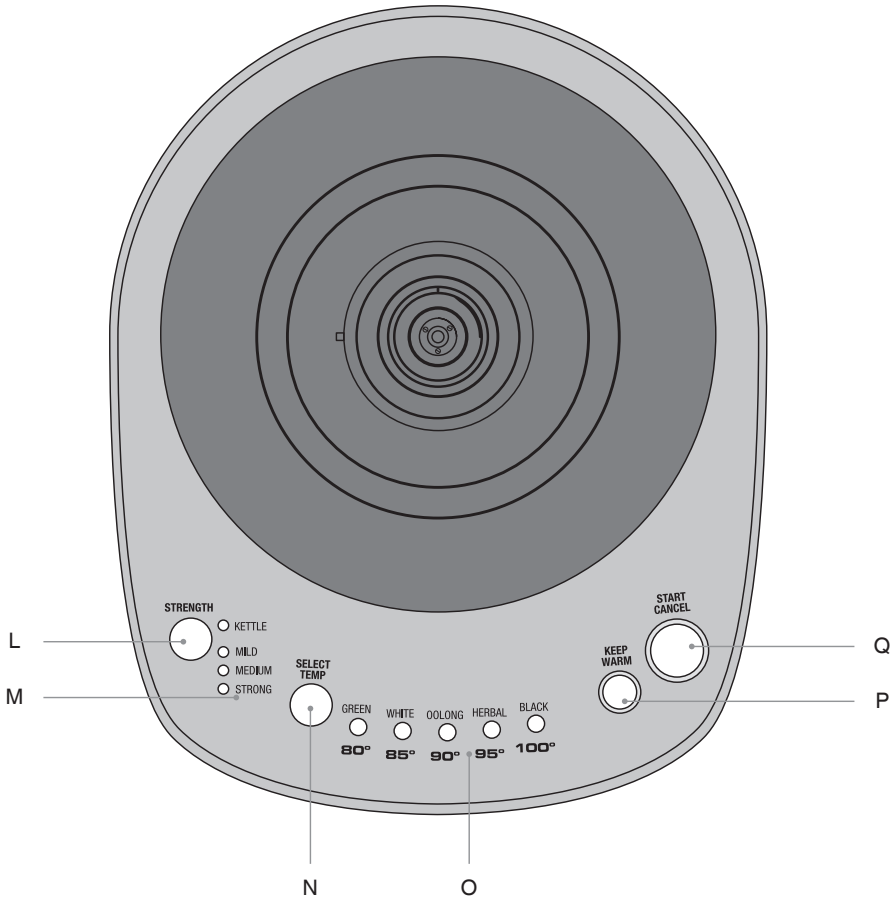


Rating Information

220-240V ~ 50-60Hz 1380W-1600W



Components



L. STRENGTH button

Preset brew times recommended for mild, medium and strong brews of each tea type.

M. Tea strength indicator

N. SELECT/TEMP button

Select the tea type/brew temperature recommended for green, white, oolong, herbal and black teas.

O. Temperature/tea type indicator

P. KEEP WARM button

Keeps brewed tea or heated water warm for up to 60 minutes.

Q. START/CANCEL button

Starts and stops the heating cycle.



Functions

BEFORE FIRST USE

In order to remove any dust or protective residues from the manufacturing process, it is recommended to run a boiling cycle then discard the water.

1. Remove and safely discard any packing material, promotional labels and tape from the Tea Maker™ Compact.
2. Remove the jug lid then remove the tea basket from the magnetic jug post within the glass jug. Wash the jug lid, tea basket, basket lid and tea scoop in warm soapy water with a soft sponge; rise and dry thoroughly.



WARNING

Never immerse the base of the glass jug, the power base, power cord or power plug in water or allow moisture to come into contact with these parts.

3. Place the power base on a flat, dry surface.
4. Without the tea basket in place, fill the glass jug to the WATER MAX marking (1000ml) and place on the power base. Securely fit the jug lid onto the glass jug.



WARNING

Never fill the glass jug with chilled water. Allow the Tea Maker™ Compact to cool before refilling.



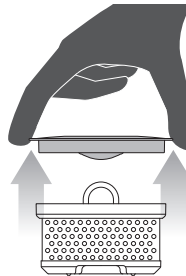
WARNING

Filling past the MAX line may result in serious burns or injuries as a result of overflowing hot or boiling water. Filling below the MIN line will result in the Tea Maker™ Compact switching off before the water has boiled or reached the selected temperature.

5. Unwind the power cord completely and insert the power plug into a grounded wall outlet.
6. Use the SELECT/TEMP button to select BLACK / 100°, then select the START/CANCEL button. The light will change from red to white, indicating that the heating cycle is in progress.
7. Once the water has reached the selected temperature, the tea maker will beep once.
8. Discard the water. The Tea Maker™ Compact is now ready for use.

BREWING TEA

1. Fill the glass jug with the desired amount of water. Ensure that you fill past the MIN mark and equal to or below the MAX mark. Note the MAX mark when brewing tea is 800ml.
2. Place the tea basket on a flat, dry surface. Remove the basket lid by lifting it from the sides.

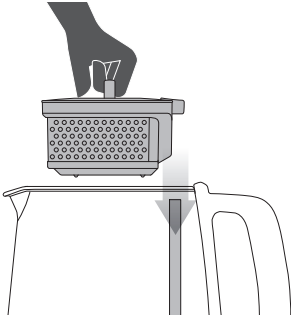


3. Use the provided tea scoop to fill the tea basket with tea leaves. As a general guide, use 1 scoop of tea per cup / 250ml of water; however, this will depend on the tea instructions and your personal preference.

Water to tea scoop ratio

500mL	2 scoops
750mL	3 scoops

4. Replace the basket lid and ensure it is securely clipped into place.
5. Attach the tea basket to the jug post inside the glass jug.



6. Replace the jug lid securely onto the glass jug, ensuring the filter aligns with the jug spout.

SELECTING THE TEA TYPE

1. The tea type determines the brew temperature. The Tea Maker™ Compact has 5 preset tea types recommend for optimal brewing of Green, White, Oolong, Herbal and Black teas.

TEA TYPE	Green	White	Oolong	Herbal	Black	
Preset Brew Temp	80°C	85°C	90°C	95°C	100°C	
Strength (mins)	Mild	2	3	3	4	3
	Medium	3	4	4	5	4
	Strong	4	5	5	6	5

NOTE

This product is not calibrated for commercial or scientific use. Temperatures may vary $\pm 3^{\circ}\text{C}$, which is within range for optimal brewing for each tea variety.

2. Press the SELECT / TEMP button until the desired tea/temperature is illuminated. The desired brew strength determines the brew times. The correct brew time depends on the tea type and your personal preference of strength. The Tea Maker™ Compact allows you to choose from mild, medium and strong tea brews.

3. Press the STRENGTH button to select the desired strength / steeping time. Refer to the TEA TYPE table above for steeping times. Selecting the kettle setting will boil water to the desired temperature but will not operate the tea basket.
4. Press the START / CANCEL button to start heating.
5. Once the selected brew temperature is reached, the tea basket will automatically lower into the heated water. It will stay in this position until the brew time has lapsed.
6. At the end of the tea brewing cycle, the tea basket will automatically rise to the top of the glass jug to prevent over-brewing. The tea alert will sound 3 times, to indicate your tea is ready.

WARNING

The tea basket is hot to touch after the tea is brewed. Ensure that the tea basket handle has cooled before handling.

KEEP WARM

If selected prior to heating, keep warm will last for 60 minutes after tea is brewed. When the glass jug is removed from the power base, the keep warm function will cancel.

To reactivate for another 60 minutes place the glass jug with the remaining tea back on the power base and press KEEP WARM, the light will illuminate when this is selected.

BOILING WATER

To boil water, remove the tea basket and fill the glass jug with water. Replace the jug lid and place the glass jug on the power base. Select the desired temperature by pressing the SELECT / TEMP button then press the STRENGTH button to select KETTLE.



Care & Cleaning

CLEANING THE GLASS JUG

- After each use, empty the glass jug. Do not allow brewed tea to stand overnight. Allow the glass jug to fully cool before cleaning.
- Wipe the interior of the glass jug with a soft damp sponge or rinse with warm water.
- Wipe the exterior of the glass jug with a soft damp cloth to clean.



WARNING

Never immerse or wash exterior of glass jug under running water.



NOTE

Do not use chemicals, steel wool, or abrasive cleaners to clean the inside or outside of the glass jug as these may scratch the surface.

- To remove the build-up of tannin; the astringent chemical constituent of tea, remove the tea basket, fill the glass jug with water up to the MAX mark, bring water

to the boil and allow to cool for one minute. Add the contents of the Sage Tea Maker Cleaner (available at Sage web page) and allow to stand for 5 minutes.

Empty tea maker, refill with fresh water and bring water to the boil. Repeat this step again then rinse the inside of the glass jug thoroughly. Dry thoroughly with a soft, lint-free cloth before using.



NOTE

Through regular use over time, scale build-up can affect the performance and the life of the Tea Maker™ Compact. Lime and phosphate are common forms of scale that can damage your Sage Tea Maker™ Compact. Lime scale, a harmless mineral, comes in the appearance of white-coloured or rusty looking build up on the inner walls and inner base of the glass jug. Phosphate scale can't be seen; however it can cause the water to appear cloudy when heated. To prevent scale from damaging your Tea Maker™ Compact, ensure to descale the glass jug regularly. Use the Sage Descaler (available at Sage web page) and follow the instructions.



WARNING

Causes skin irritation. Wash hands thoroughly after handling. Wear protective gloves/protective clothing/eye protection/face protection.



NOTE

Allow all parts of the Tea Maker™ Compact to cool completely before disassembling and cleaning.



WARNING

Never immerse the base of the glass jug, jug lid, power base, power cord or power plug in water or allow moisture to come in contact with these parts.

CLEANING THE BASKET

- Wash the basket lid and tea basket in warm, soapy water with a soft sponge, then rinse and dry thoroughly.
- A non-abrasive liquid cleanser or mild spray solution may be used to avoid build-up of stains on the basket. Apply the cleaner to the sponge, not directly onto the basket surface, before cleaning.
- Let all surfaces dry thoroughly before using.

CLEANING THE POWER BASE

- Wipe the power base with a soft-damp sponge.
- Let all surfaces dry thoroughly prior to inserting the power plug into the wall outlet.

STORAGE

- Ensure the Tea Maker™ Compact is switched off, cleaned and completely dry before storing.
- Ensure that the tea basket is correctly assembled.
- Ensure that the jug lid is securely in place on the glass jug.
- Wrap the power cord around the power cord storage under the power base.

Store the Tea Maker™ Compact upright on the power base. Do not store anything on top.



Troubleshooting

PROBLEM	WHAT TO DO
The Tea Maker™ Compact does not switch on	<ul style="list-style-type: none">• Check the power plug is securely inserted into the outlet.• Insert the power plug into an independent outlet.• Insert the power plug into a different outlet.• Reset the circuit breaker if necessary.• For additional safety the Tea Maker™ Compact is fitted with a thermal cut out. In the event of severe overheating, the Tea Maker™ Compact will automatically shut down to prevent further damage
The Tea Maker™ Compact power base does not illuminate and functions cannot be selected.	<ul style="list-style-type: none">• Remove the power plug from the wall outlet, then reinsert. Remove and replace the glass jug from the power base. All buttons should now illuminate and the Tea Maker™ Compact is ready for use.
The Tea Maker™ Compact does not work	<ul style="list-style-type: none">• Check the glass jug is securely positioned on the power base.
I cannot select a certain function	<ul style="list-style-type: none">• Certain features cannot be selected or changed during the heating or brewing cycle. LED lights surrounding the buttons will indicate the availability of the functions.
After boiling water, bubbles appear around the temperature sensor	<ul style="list-style-type: none">• This is normal for the functionality of the Tea Maker™ Compact.
My tea tastes too weak or too strong	<ul style="list-style-type: none">• Ensure the correct strength was selected prior to brewing.• Follow the cleaning instructions in this booklet.
The tea basket is not moving	<ul style="list-style-type: none">• The tea basket will not move during the heat up cycle.• The tea basket will only start moving once the selected temperature has been reached. The tea basket will remain lowered until the steeping time has passed.• Remove the plug from the wall outlet, wait 10 seconds then reinsert the plug.



Guarantee

2 YEAR LIMITED GUARANTEE

Sage Appliances guarantees this product for domestic use in specified territories for 2 years from the date of purchase against defects caused by faulty workmanship and materials. During this guarantee period Sage Appliances will repair, replace, or refund any defective product (at the sole discretion of Sage Appliances).

All legal warranty rights under applicable national legislation will be respected and will not be impaired by our guarantee. For full terms and conditions on the guarantee, as well as instructions on how to make a claim, please visit www.sageappliances.com.



Notes



Notes

GBR

BRG Appliances Limited
Unit 3.2, Power Road Studios,
114 Power Road, London, W4 5PY
Freephone (UK Landline): 0808 178 1650
Mobile Calls (National Rate): 0333 0142 970

DEU

AUT

Sage Appliances GmbH
Campus Fichtenhain 48, 47807 Krefeld,
Deutschland
Deutschland: 0800 505 3104
Österreich: 0800 80 2551

FRA

Sage Appliances France SAS
Siège social: 66 avenue des Champs
Elysées – 75008 Paris
879 449 866 RCS Paris
France: 0800 903 235

IRE

Ireland
1800 932 369

NLD

Netherlands
0800 020 1741

ITA

Italy
800 909 773

ESP

Spain
900 838 534

PTR

Portugal
0800 180 243

POL

Poland
00800 121 8713

BEL

Belgium
0800 54 155

CHE

Switzerland
0800 009 933

LUX

Luxembourg
800 880 72

DNK

Denmark
80 820 827

SWE

Sweden
0200 123 797

FIN

Finland
0800 412 143

NOR

Norway
80 024 976

Sage®

www.sageappliances.com

Registered in England & Wales No. 8223512
Registered in Germany No. HRB 81309 (AG Düsseldorf)
Registered in France No. 879 449 866 RCS

EN Due to continued product improvement, the products illustrated or photographed in this document may vary slightly from the actual product.

DE Aufgrund unserer kontinuierlichen Produktverbesserungen kann die hier gezeigte Abbildung geringfügig vom tatsächlichen Produkt abweichen.

FR En raison de leur amélioration continue, les produits représentés ou photographiés dans le présent document peuvent différer légèrement du produit réel.

NL Vanwege voortdurende productverbeteringen, kunnen de afgebeelde producten in dit document licht afwijken van het eigenlijke product.

IT A causa del continuo miglioramento dei prodotti, il prodotto descritto o illustrato in questo documento può variare leggermente rispetto al prodotto reale.

ES Perfeccionamos nuestros productos continuamente, por lo que el artículo podría diferir ligeramente de la ilustración o la fotografía en este documento.

PT Devido à melhoria contínua dos produtos, os produtos ilustrados ou fotografados neste documento podem variar ligeiramente do produto real.

PL Ze względu na stale przeprowadzane ulepszenia, produkty przedstawione na ilustracjach lub zdjęciach w tym dokumencie mogą różnić się od używanego produktu.

DA På grund af løbende produktudvikling kan de illustrerede eller fotograferede produkter i dette dokument variere en smule fra det faktiske produkt.

SV På grund av kontinuerlig produktförbättring kan produkterna som visas i illustrationerna och fotografierna i detta dokument skilja sig något från den faktiska produkten.

FI Jatkuvan tuotekehittelyn seurauksena kuvituksen tuotteet eivät välttämättä ole täysin samanlaisia kuin varsinaisen tuote.

NO På grunn av kontinuerlig produktutvikling kan produktene som er vist eller avfotografert i dette dokumentet, variere noe fra det faktiske produktet.

Copyright BRG Appliances 2022

BTM700/STM700 UK UG1 A22