

the Fast Slow Pro™

BPR700/SPR700



EN USER GUIDE

DE HANDBUCH

FR GUIDE UTILISATEUR

NL HANDLEIDING

IT MANUALE UTENTE

ES GUÍA DEL USUARIO

PT MANUAL DO UTILIZADOR

PL INSTRUKCJA OBSŁUGI

Sage®



Contents

- 2 Sage® Recommends Safety First
- 7 Components
- 9 Important Safety Information For Your Fast Slow Pro™
- 11 Functions
- 17 Care & Cleaning
- 19 Troubleshooting
- 20 Guarantee

SAGE® RECOMMENDS SAFETY FIRST

At Sage® we are very safety conscious. We design and manufacture consumer products with the safety of you, our valued customer, foremost in mind. In addition we ask that you exercise a degree of care when using any electrical appliance and adhere to the following precautions.

IMPORTANT SAFEGUARDS

**READ ALL INSTRUCTIONS
BEFORE USE AND SAVE
FOR FUTURE REFERENCE**

- A downloadable version of this document is also available at sageappliances.com

- Do not let children near the pressure cooker when in use.
- Do not put the pressure cooker into a heated oven.
- Move the pressure cooker under pressure with the greatest care. Do not touch hot surfaces. Use the handles and knobs. If necessary, use protection.
- Do not use the pressure cooker for a purpose other than the one for which it is intended.
- This appliance cooks under pressure. Scalds may result from inappropriate use of the pressure cooker. Make sure that the cooker is properly closed before applying heat. See “Pressure Cook” instructions in this book.
- Never force open the pressure cooker. Do not open before making sure that its internal pressure has completely dropped. See the “Steam Release” instructions in this book.
- Never use your pressure cooker without adding water, this would seriously damage it.
- Do not fill the cooker beyond $\frac{2}{3}$ of its capacity. When cooking foodstuffs which expand during cooking, such as rice or dehydrated vegetables, do not fill the cooker to more than half of its capacity.
- The heating source necessary for cooking is included in the appliance.

- After cooking meat with a skin (e.g. ox tongue) which may swell under the effect of pressure, do not prick the meat while the skin is swollen; you might be scalded.
 - When cooking food with thick or doughy texture, after steam release, gently shake the cooker. Then steam release again if necessary before opening the lid to avoid food ejection.
 - Before each use, check that the valves are not obstructed. See the Instructions for use.
 - Never use the pressure cooker in its pressurised mode for deep or shallow frying of food.
 - Do not tamper with any of the safety systems beyond the maintenance instructions specified in the instructions for use.
 - Only use Sage® spare parts in accordance with the relevant model. In particular, use a body and a lid from Sage® indicated as being compatible.
- on the underside of the appliance. If you have any concerns please contact your local electricity company.
 - Remove and safely discard any packaging material and promotional labels before use.
 - To eliminate a choking hazard for young children, remove and safely discard the protective cover fitted to the power plug of this appliance.
 - Always ensure the appliance is properly assembled before use. Follow the instructions provided in this book.
 - Always insert the connector end of the power cord into the appliance inlet before inserting power plug into the power outlet and switching on appliance. Ensure the appliance inlet is completely dry before inserting the connector end of the power cord.
 - Take care to avoid spillage on the connector.
 - Do not touch hot surfaces. Appliance surfaces are hot during and after operation. To prevent burns or personal injury, always use protective hot pads or insulated oven mitts, or use handles or knobs where available.
 - Do not place the appliance near the edge of a bench or table during operation. Ensure that the surface is dry, level,



WARNING

Only use the cooking vessel intended for this appliance; using cooking vessels not provided will result in a non-resettable issue.

- Before using for the first time please ensure that your electricity supply is the same as shown on the rating label

- clean and free of any liquid and other substances.
- Always operate the appliance on a stable and heat resistant surface. Do not use on a cloth-covered surface, and position the appliance at a minimum distance of 20cm away from walls, curtains, cloths and other heat sensitive materials.
 - Do not place this appliance on or near a hot gas or electric burner, or where it could touch a heated oven.
 - Do not operate the appliance on a sink drain board.
 - Do not place the cooker on a stone bench top when it's cooking. This is due to bench tops being sensitive to uneven heat and may crack if heated locally. If you would like to cook with the slow cooker on the bench top, place a chopping board or heat proof mat underneath the cooker.
 - Do not place anything, other than lid, on top of the cooker when assembled, when in use and when stored.
 - Do not use the lid handle to carry the appliance.
 - Before placing removable cooking bowl into stainless steel base ensure the base of bowl and the base of the appliance is dry by wiping with a dry soft cloth.
 - Do not use a damaged removable cooking bowl. Replace before using.
 - Do not place food or liquid directly into the stainless steel base. Only the removable cooking bowl is designed to contain food or liquid.
 - Before use, always check pressure release valve and safety locking pin for clogging and clean if necessary. Check to make sure the safety locking pin moves freely from under the lid.
 - Do not touch the pressure release valve whilst in use.
 - Use only recommended STEAM RELEASE to depressurise cooker after use.
 - Do not use harsh abrasives, caustic cleaners or oven cleaners when cleaning this appliance. Keep the appliance clean and refer to care and cleaning section.
 - Do not leave the appliance unattended when in use.
 - Extreme caution must be used when the cooker contains hot food and liquids and / or is under pressure. Improper use may result in injury. When using this appliance for pressure cook, slow cook and steam, ensure the lid is properly assembled and locked into position before use.
 - Do not move the cooker when in use.

IMPORTANT SAFEGUARDS FOR ALL ELECTRICAL APPLIANCES

- Do not use this appliance if it is worn, has been dropped or is damaged in any way.
- Unwind the power cord fully before use.
- Do not let the power cord hang over the edge of a bench or table, touch hot surfaces or become knotted.
- Connect only to a 220–240V power outlet.
- Always turn the appliance to the OFF position, switch off at the power outlet, remove the plug and allow all parts to cool before attempting to move the appliance, when the appliance is not in use, before cleaning and when storing.
- The appliance can be used by children aged from 8 years and above and persons with reduced physical, sensory or mental capabilities, or lack of experience and knowledge, if they have been given supervision or instruction concerning use of the appliance in a safe way and understand the hazards involved.
- Children shall not play with the appliance.
- Cleaning and user maintenance shall not be made by children unless they are older than 8 and supervised.
- Keep the appliance and its cord out of reach of children less than 8 years.
- It is recommended to regularly inspect the appliance. Do not use the appliance if power cord, power plug or appliance becomes damaged in any way. If damaged or maintenance other than cleaning is required please contact Sage Customer Service or go to sageappliances.com
- The use of attachments not sold or recommended by Sage® may cause fire, electric shock or injury.
- This appliance is for household use only. Do not use this appliance for other than its intended use. Do not use in moving vehicles or boats. Do not use outdoors. Misuse may cause injury.
- The appliance is not intended to be operated by means of an external timer or separate remote control system.
- The installation of a residual current device (safety switch) is recommended to provide additional safety protection when using electrical appliances. It is advisable that a safety switch with a rated residual operating current not exceeding 30mA be installed in the electrical circuit supplying the appliance. See your electrician for professional advice.



The symbol shown indicates that this appliance should not be disposed of in normal household waste.

It should be taken to a local authority waste collection centre designated for this purpose or to a dealer providing this service. For more information, please contact your local council office.



To protect against electric shock, do not immerse the power cord, power plug or appliance in water or any other liquid.

SPECIFICATION

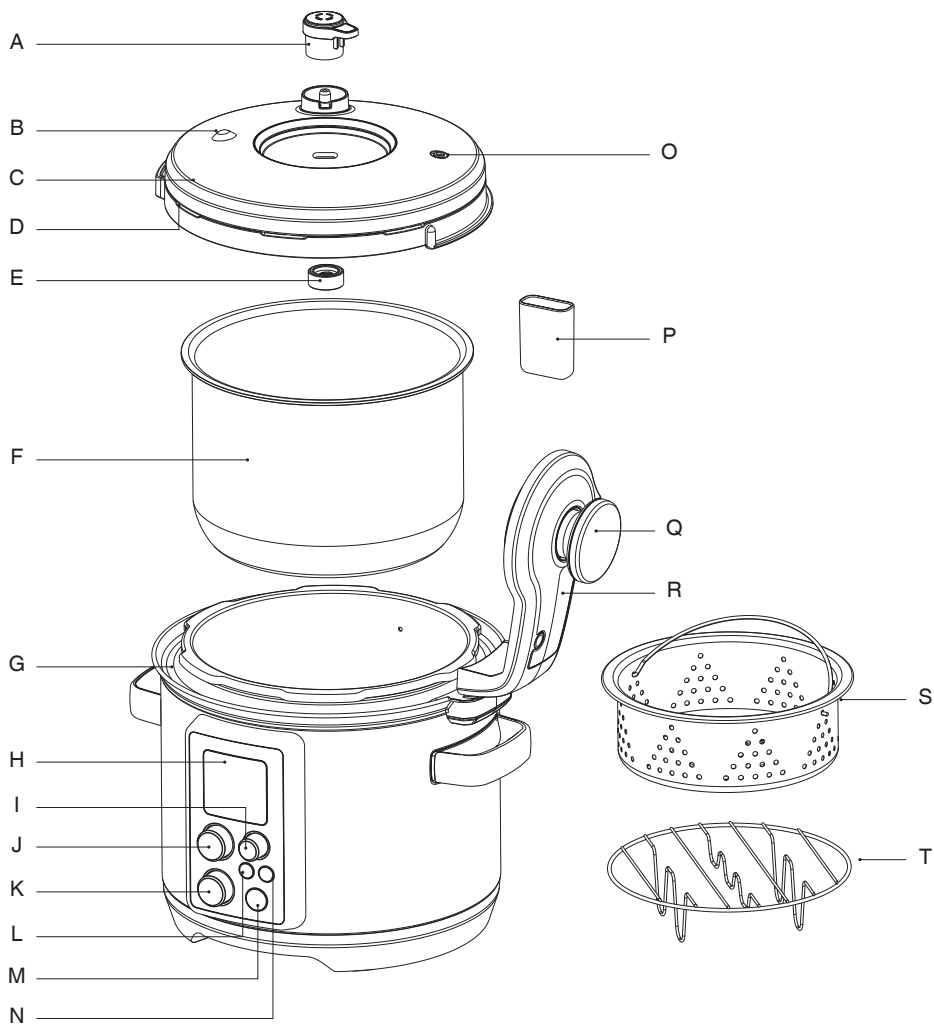
Model	SPR700
Rated Volume	6 Litres
Usable Volume	4 Litres
Working Pressure	80 kPa

These specifications may change without notice.

SAVE THESE INSTRUCTIONS

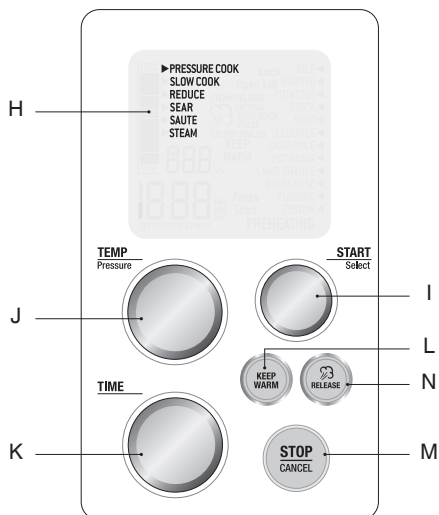


Components



Rating Information

220-240V ~ 50-60Hz 900-1100W



- A. Pressure Release Valve
- B. Pressure Safety Valve
- C. Dishwasher Safe Removable Lid
- D. Silicone Lid Seal
- E. Sealing Nut
- F. 6L Cooking Bowl
- G. Easy Clean Moat
- H. Interactive LCD
- I. Start/Select Dial
- J. Temperature/ Pressure Dial

- K. Time Dial
- L. Keep Warm
- M. Stop/Cancel
- N. Steam Release
- O. Safety Locking Pin
- P. Condensation Drip Cup
- Q. Lid Knob
- R. Lid Arm
- S. Stainless Steamer
- T. Stainless Trivet

IMPORTANT SAFETY INFORMATION FOR YOUR FAST SLOW PRO™

This appliance cooks under pressure and must be operated and maintained as described in this book. The trapped air pressure inside the pressure cooker may cause a hazardous situation if not operated and maintained as described in this manual.

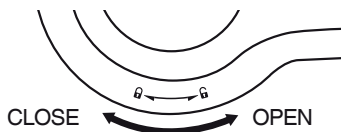
COOKING BOWL CAPACITY

- Always ensure proper liquid / food level in the removable cooking bowl.
- 'MAX' level – Do not exceed the maximum fill level. Overfilling may cause personal injury or property damage or affect the safe use of the cooker.
- '½' level – When cooking foods that expand (such as dried vegetables, beans, grains, rice, etc.) **DO NOT** fill past the middle fill level.
- 'MIN' level – Make sure the removable cooking bowl is filled to at least the minimum fill level to ensure proper operation and to avoid thermal damage and fire.

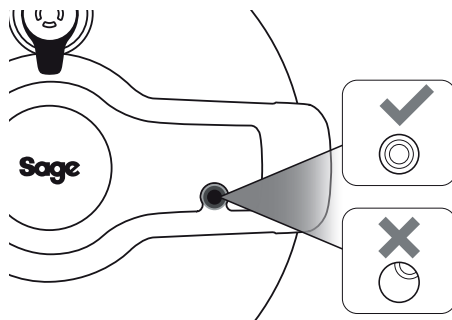
NEVER FORCE THE LID CLOSED.

CLOSING THE LID

- Make sure the silicone lid seal is properly inserted around the wire ring on the underside of the lid and that the safety locking pin moves freely.
- Lower the lid into the closed position. Turn the lid knob clockwise towards the closed lock graphic. The lid should close and lock into place with ease and minimal effort. **DO NOT STRAIN OR FORCE THE LID TO CLOSE.** The cooker alert will sound when the lid locks.



- Always ensure the safety locking pin is properly aligned within the opening of the lid arm and is not restricted in any way.



NOTE

If the contents of the cooker are hot when closing the lid, it may be necessary to press down slightly on the lid knob while the lid is still in the unlocked position, allowing the lid to turn easily.

HANDS-FREE STEAM RELEASE

The cooker features automatic hands-free steam release that will occasionally release steam as the cooker pressurises as well as automatically start the steam release cycle after cooking.

- Never place your hands, arms or face over the pressure release valve.

In addition to the automatic hands-free steam release, pressure can be released by pressing the **RELEASE** button or by manually turning the pressure release valve.

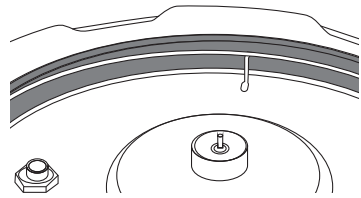
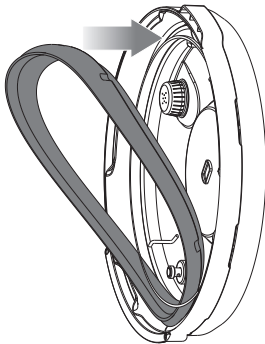
OPENING THE LID

- Turn the lid knob counter-clockwise towards the open lock graphic. The cooker alert will sound when the lid unlocks.
- The lid should open with ease if all internal pressure has been released. Never force the lid open.
- If the lid will not unlock, or if you encounter resistance, it may indicate the cooker is still pressurised. Press and hold the **RELEASE** button until all internal pressure is released and the lid opens easily.

NEVER FORCE THE LID OPEN.

PREPARING THE FAST SLOW PRO™

1. Remove and safely discard any packaging material, promotional labels and tape from the cooker.
2. Open the lid by turning the lid knob counter clockwise and lifting the lid up and off the appliance until it is in the hinged open position. Unscrew and remove the sealing nut from the centre of the lid and pull the lid away to remove from the lid arm.
3. Wash the lid, removable cooking bowl and silicone lid seal in hot, soapy water, then rinse and dry thoroughly. Wipe the inside and outside of the cooker base with a soft, damp cloth and dry thoroughly.
4. The silicone lid seal is reversible and can be inserted in either direction. Insert the silicone lid seal around the outer edge of the wire ring on the underside of the lid. Ensure that it is fully inserted and lies flat under the wire ring.



5. The lid can only be inserted one way and must be assembled correctly for the cooker to operate. Position the lid so the steam release valve cover is to the rear of the cooker (Image A). Align the centre of the lid with the bolt on the underside of the lid arm (Image B) and push it into position to expose the screw thread. Screw the sealing nut, with the red ring touching the lid, onto the bolt to secure the lid. Once assembled, ensure the steam release valve is properly seated in position and facing the lid knob.

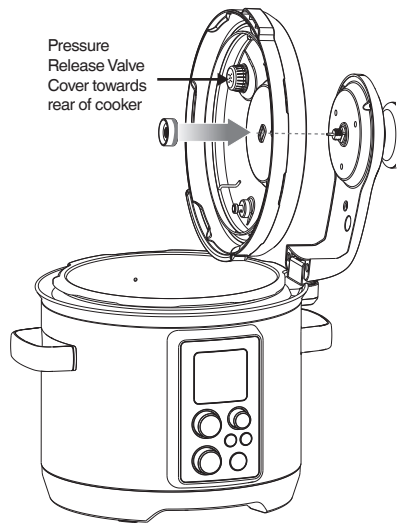
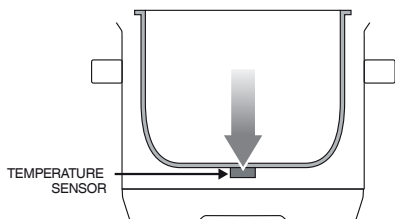


Image A

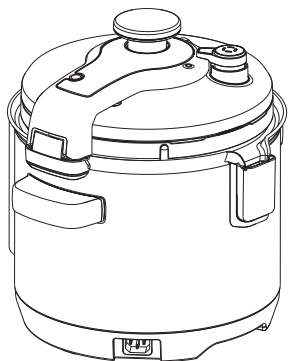
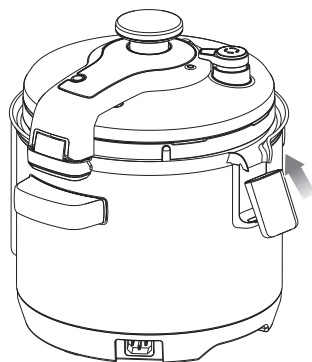


Image B

- Clean and dry the underside of the removable cooking bowl and the temperature sensor, making sure there are no unwanted materials on the surface. The removable cooking bowl must sit flat on the temperature sensor to ensure proper contact.



- Click condensation drip cup into place.



- Insert the connector end of the power cord into the cooker base, ensuring it is completely dry. Insert the power plug into a 220–240V (grounded) power outlet.
- The cooker alert will sound and the LCD will illuminate. The setting options will appear with an indicator on the PRESSURE COOK setting.



Functions

SMART SETTINGS

The Fast Slow Pro™ features 6 Smart Settings; Pressure Cook, Slow Cook, Reduce, Sear, Sauté and Steam. Pressure and slow cook settings have a list of commonly used food types with pre-determined cook times and temperatures / pressure levels to give the best results, however we suggest experimenting with these depending on the recipe, amount of food and your personal taste. Alternatively, you can select the CUSTOM setting to select your own cooking times and temperatures/ pressure levels.

Your CUSTOM setting will remain in the memory of the cooker. To reset to factory settings, switch off at the power outlet and press and hold START / SELECT while switching back on at the power outlet.

HANDS-FREE VARIABLE STEAM RELEASE

The Fast Slow Pro™ features 3 steam release methods:

Auto Quick

Pressure is released quickly to minimise overcooking of foods or recipes with short cook times.

Auto Pulse

Pressure is released in bursts to reduce disturbance to the food inside.

Natural

Pressure naturally subsides inside without releasing steam through the vent to prevent the churning up or breaking apart of sensitive ingredients like stocks and beans during pressure release.

These can be selected using the STEAM RELEASE button on the control panel during the set up and steam release cycles. Once selected, the pressure release valve will automatically release the steam at the end of the pressure cooking cycle.

Pressing and holding the steam release button during or after a cooking cycle will open the pressure release valve.





CAUTION

Always keep hands and face clear of the pressure release valve when pressure cooking as hot steam and water may be emitted during operation.

ALTITUDE ADJUST

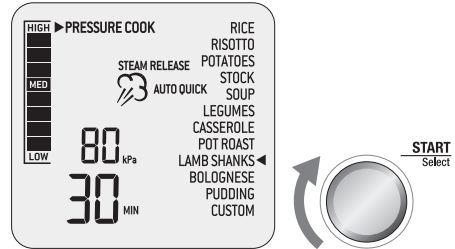
Pressure builds and increases when the temperature inside the cooking vessel exceeds boiling point. As altitude increases, the temperature at which water boils decreases as a result of the drop in air pressure. This creates very different conditions for cooking when using a pressure cooker.

In order to maintain consistent cooking results at various altitudes, the Fast Slow Pro™ has an Altitude Adjust feature that adjusts the settings based on the altitude of your current location.

1. To enter Altitude Adjust mode, press and hold STOP / CANCEL to activate standby mode. The button backlight will go out and the LCD will no longer illuminate.
2. Once in standby, press and hold both the KEEP WARM and STEAM RELEASE buttons for 2 seconds.
3. Turn the TIME dial to enter the altitude of your current location. Altitude can be adjusted from 250m to 1,999m. The pressure cooker should not be used at altitudes above 2,000m.
4. Press the START / SELECT dial to confirm.
5. The cooker's settings have now been adjusted for your current altitude. To reset altitude to sea level (factory settings), switch off at the power outlet and press and hold START / SELECT while switching back on at the power outlet.

PRESSURE COOK

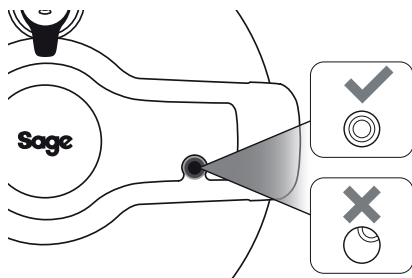
1. Turn the START / SELECT dial until the indicator reaches the PRESSURE COOK setting. Press the START / SELECT dial to confirm.
2. Turn the START / SELECT dial until the indicator on the right hand side of the LCD reaches the desired setting.



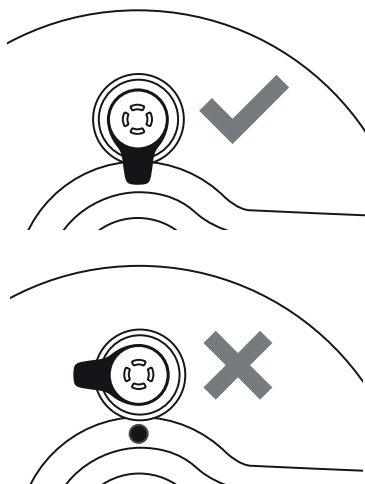
3. The top figure on the LCD screen indicates the preset pressure level for the selected setting. Turn the TEMPERATURE / PRESSURE dial to the left to reduce the pressure or to the right to increase pressure. Pressure can be adjusted from 20 kPa (LOW) to 80 kPa (HIGH).
4. The bottom figure on the LCD screen indicates the preset cooking time for the selected setting. Turn the TIME dial to the left to reduce the cooking time or to the right to increase the cooking time. Time can be adjusted up to 2 hours.
5. The steam icon on the LCD screen indicates the preset steam release method for the selected setting. Press the STEAM RELEASE button to select between 'AUTO QUICK', 'AUTO PULSE' and 'NATURAL' steam release.
6. Place food into the removable cooking bowl. Ensure there is at least 1L of combined food and liquid in the bowl.



7. Close the lid and turn the lid knob clockwise to lock into place. The cooker alert will sound when the lid has been locked. Check that the safety locking pin is properly aligned with the opening in the lid arm and is not restricted in any way.



8. Ensure the pressure release valve is placed on the lid, is properly seated in position and facing the lid knob.



9. Press the START / SELECT dial to commence cooking. The STOP / CANCEL button backlight will illuminate red, the LCD screen will illuminate orange, 'PREHEATING' will appear and the pressure bar on the left will climb to indicate the cooker is building pressure.

NOTE

It is normal for the cooker to release small bursts of steam as it stabilises its internal pressure.

10. If the lid has not been locked correctly 'LOCK LID' will appear on the LCD screen. Turn the lid knob clockwise to lock the lid and commence cooking.
11. Once the cooker has reached pressure, the 'PREHEATING' will go out, the cooker alert will sound, the timer will start counting down and the pressure bar will indicate the current pressure in the vessel.
12. The time can be adjusted during the pressure cook cycle by turning the TIME dial. The cycle can be paused at any time by pressing the STOP / CANCEL button. To end the cycle press and hold STOP / CANCEL for 2 seconds. If there is already pressure in the vessel it will go immediately to the steam release cycle.
13. At the end of the pressure cook cycle, the cooker alert will sound and steam will be automatically released through the pressure release valve. The steam icon will blink, the timer will start counting up and the pressure bar will decrease, indicating the current pressure in the vessel. If NATURAL steam release is selected, pressure will naturally subside in the vessel without forcing steam through the pressure release valve. The steam release setting can be changed during the steam release cycle by pressing the STEAM RELEASE button.
14. At the end of the steam release cycle, the cooker alert will sound, the LCD will illuminate blue and the timer will start counting up.
15. Open the lid by turning the lid knob counter clockwise and carefully lift the lid into the hinged open position.
16. After 5 minutes of inactivity, standby mode will be activated. The button backlight will go out and the LCD will no longer illuminate.

CAUTION

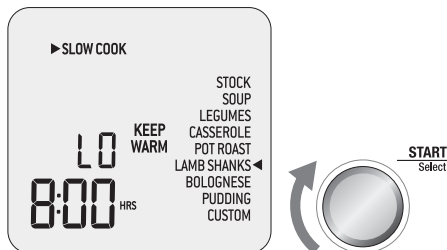
To avoid scalding from escaping steam, never place your face or hands over the cooker when removing the lid.

NOTE

If the lid will not unlock this indicates the appliance is still under pressure. Do not force the lid open as any remaining pressure can be hazardous. Press the STEAM RELEASE button until all internal pressure is released and the lid opens easily.

SLOW COOK

1. Turn the START / SELECT dial until the indicator reaches the SLOW COOK setting. Press the START / SELECT dial to confirm.
2. Turn the START / SELECT dial until the indicator on the right hand side of the LCD reaches the desired setting.



3. The top figure on the LCD screen indicates the preset temperature for the selected setting. Turn the TEMPERATURE / PRESSURE dial to the left to reduce the temperature or to the right to increase temperature. Temperature can be adjusted to one of two preset temperatures; 'LO' or 'HI.'
4. The bottom figure on the LCD screen indicates the preset cooking time for the selected setting. Turn the TIME dial to the left to reduce the cooking time or to the right to increase the cooking time. Time can be adjusted between 2 and 12 hours.
5. 'KEEP WARM' indicates the KEEP WARM function will automatically switch on after the SLOW COOK cycle. Press the KEEP WARM button on the control panel to select or deselect the function.
6. Place food into the removable cooking bowl. Ensure there is at least 1L of combined food and liquid in the bowl.



7. Close the lid, turn and align to lock position.
8. Make sure the pressure release valve weight is on the lid and in close position.
9. Press the START / SELECT dial to commence cooking. The STOP / CANCEL button backlight will illuminate red and the LCD screen will illuminate orange.
10. The timer will be displayed and automatically begin to count down. The time can be adjusted during the slow cook cycle by turning the TIME dial. The cycle can be paused at any time by pressing the STOP / CANCEL button. To end the cycle press and hold STOP / CANCEL for 2 seconds.
11. At the end of the slow cook cycle, the cooker will automatically switch to the KEEP WARM function. The LCD screen will display 'KEEP WARM' and the timer will start counting up to a maximum of 2 hours. The keep warm cycle can be paused at any time by pressing the STOP / CANCEL button.
12. If KEEP WARM has not been selected, the cooker alert will sound, the STOP / CANCEL button backlight will go out and the LCD screen will illuminate blue.
13. After 5 minutes of inactivity, standby mode will be activated. The button backlight will go out and the LCD will no longer illuminate.

REDUCE

The REDUCE setting is ideal for thickening and intensifying the flavour of sauces, syrups and stocks.

1. Turn the START / SELECT dial until the indicator reaches the REDUCE setting. Press the START / SELECT dial to confirm.
2. The top figure on the LCD screen indicates the preset temperature for the REDUCE setting. Turn the TEMPERATURE / PRESSURE dial to the left to reduce the temperature or to the right to increase temperature. Temperature can be adjusted to one of three preset temperatures; 'LO', 'MED' or 'HI.'
3. The bottom figure on the LCD screen indicates the preset cooking time for the REDUCE setting. Turn the TIME dial to the left to reduce the cooking time or to the right to increase the cooking time. Time can be adjusted up to 2 hours.
4. Place liquid to be reduced into the removable bowl.



NOTE

If reducing cooking sauce from pressure and slow cooking, remove cooked meat or vegetables.

Once sauce has reached the correct consistency and flavour, return meat and allow to warm through for a few minutes before serving.

- Press the **START / SELECT** dial to commence cooking. The **STOP / CANCEL** button backlight will illuminate red, the LCD screen will illuminate orange and indicate 'PREHEATING.'
- Keep the lid open in the hinged position. If the lid has not been opened the cooker alert will sound and 'OPEN LID' will appear on the LCD screen.
- Once the cooker has reached the temperature, 'PREHEATING' light will go out.
- The timer will start counting down. The time can be adjusted during the reduce cycle by turning the **TIME** dial. The cycle can be paused at any time by pressing the **STOP / CANCEL** button. To end the cycle press and hold **STOP / CANCEL** for 2 seconds.
- At the end of the reduce cycle, the cooker alert will sound, the **STOP / CANCEL** button backlight will go out and the LCD screen will illuminate blue.
- After 5 minutes of inactivity, standby mode will be activated. The button backlight will go out and the LCD will no longer illuminate.

SEAR

The SEAR setting is designed to enhance and deepen the taste of meals by using the same cooking bowl for caramelising and browning foods before pressure or slow cooking.

- Turn the **START / SELECT** dial until the indicator reaches the SEAR setting. Press the **START / SELECT** dial to confirm.
- The **STOP / CANCEL** button backlight will illuminate red, the LCD screen will illuminate orange and indicate 'PREHEATING.'
- Keep the lid open in the hinged position. If the lid has not been opened the cooker alert will sound and 'OPEN LID' will appear on the LCD screen.
- Once the cooker has reached temperature, 'PREHEATING' will go out. Place food to be cooked into the removable cooking bowl.

- The timer will start counting up to a maximum of 45 minutes. The cycle can be paused at any time by pressing the **STOP / CANCEL** button. To end the cycle press and hold **STOP / CANCEL** for 2 seconds.
- At the end of the sear cycle, the cooker alert will sound, the **STOP / CANCEL** button backlight will go out and the LCD screen will illuminate blue.
- After 5 minutes of inactivity, standby mode will be activated. The button backlight will go out and the LCD will no longer illuminate.

SAUTÉ

The SAUTÉ setting is ideal for softening and caramelising garlic, onions and smaller pieces of food prior to pressure or slow cooking.

- Turn the **START / SELECT** dial until the indicator reaches the SAUTÉ setting. Press the **START / SELECT** dial to confirm.
- The top figure on the LCD screen indicates the preset temperature for the SAUTÉ setting. Turn the **TEMPERATURE / PRESSURE** dial to the left to reduce the temperature or to the right to increase temperature. Temperature can be adjusted to one of three preset temperatures; 'LO', 'MED' or 'HI.'
- Press the **START / SELECT** dial to commence cooking. The **STOP / CANCEL** button backlight will illuminate red, the LCD screen will illuminate orange and indicate 'PREHEATING.'
- Keep the lid open in the hinged position. If the lid has not been opened the cooker alert will sound and 'OPEN LID' will appear on the LCD screen.
- Once the cooker has reached temperature, 'PREHEATING' will go out. Place food to be cooked into the removable cooking bowl.
- The timer will start counting up. The cycle can be paused at any time by pressing the **STOP / CANCEL** button. To end the cycle press and hold **STOP / CANCEL** for 2 seconds.
- At the end of the sauté cycle, the cooker alert will sound, the **STOP / CANCEL** button backlight will go out and the LCD screen will illuminate blue.
- After 5 minutes of inactivity, standby mode will be activated. The button backlight will go out and the LCD will no longer illuminate.

STEAM

The STEAM setting is ideal for steaming vegetables, fish fillets, dumplings and reheating dinner plates.

1. Turn the START / SELECT dial until the indicator reaches the STEAM setting. Press the START / SELECT dial to confirm.
2. The bottom figure on the LCD screen indicates the preset cooking time for the STEAM setting. Turn the TIME dial to the left to reduce the cooking time or to the right to increase the cooking time. Time can be adjusted up to 1 hour.
3. Fill the removable cooking bowl with water to the MIN level marking. During steaming, please check the water level and add water when needed.
4. Insert the trivet into the bowl and place the steaming basket on top. If reheating dinner plates, place the plate on top of the trivet.
5. Arrange food on the steamer allowing 1cm gaps between the food so the steam can flow evenly around all sides.
6. Close the lid, turn and align to lock position.
7. Remove the weight of the steam release valve from the lid.
8. Press the START / SELECT dial to commence cooking. The STOP / CANCEL button backlight will illuminate red, the LCD screen will illuminate orange and indicate 'PREHEATING.'
9. Once the cooker has reached the temperature, 'PREHEATING' light will go out.
10. The timer will start counting up to a maximum of 45 minutes. The time can be adjusted during the steam cycle by turning the TIME dial. The cycle can be paused at any time by pressing the STOP / CANCEL button. To end the cycle press and hold STOP / CANCEL for 2 seconds.
11. At the end of the steam cycle, the cooker alert will sound, the STOP / CANCEL button backlight will go out and the LCD screen will illuminate blue.
12. If further steaming is required, check water levels and refill as required.
13. After 5 minutes of inactivity, standby mode will be activated. The button backlight will go out and the LCD will no longer illuminate.



Care & Cleaning

The cooker bowl, outer body, lid and accessories should be thoroughly cleaned before every use.

Before cleaning, ensure the cooker is turned off by pressing and holding the STOP / CANCEL button on the control panel. The cooker is off when the button backlight is no longer illuminated.

Remove the power plug from the power outlet and remove the connector end of the power cord from the cooker base. Allow the cooker and all accessories to cool completely before disassembling and cleaning.

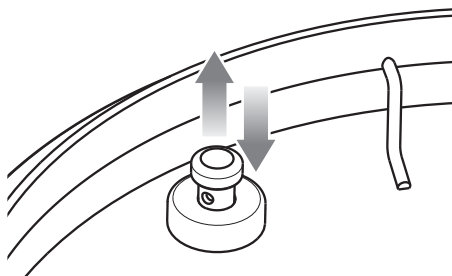
CLEANING THE BOWL AND OUTER BODY

1. The removable cooking bowl can be washed in the dishwasher. However, to maintain the ceramic coating, it is recommended to wash the cooking bowl in warm soapy water using a mild household detergent. Rinse with clean water and dry thoroughly.
2. Wipe the moat and outer body with a soft, damp sponge. A non-abrasive liquid cleanser or mild spray solution may be used to avoid build-up of stains. Apply the cleanser to the sponge, not the cooker surface, before cleaning.
3. Remove condensation drip cup by gently pulling the bottom away from the body. Wash in warm soapy water, rinse with clean water, dry thoroughly and click back into position.
4. Wipe the LCD screen with a soft damp cloth. Cleaning with dry cloth or abrasive cleaners may scratch the surface.
5. Let all surfaces dry thoroughly prior to inserting the power plug into a power outlet and turning the cooker on.

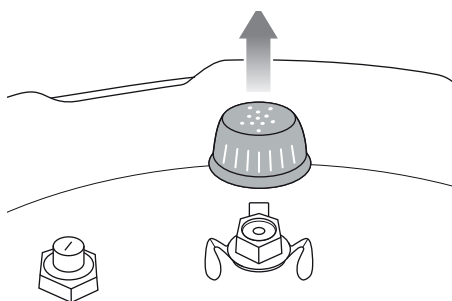
CLEANING THE LID

1. Remove the pressure release valve from the lid.
2. Open the lid by turning the lid knob counter clockwise and lifting lid up and off the appliance until it is in the hinged open position. Unscrew and remove the sealing nut from the centre of the lid and pull the lid away to remove from the lid arm.

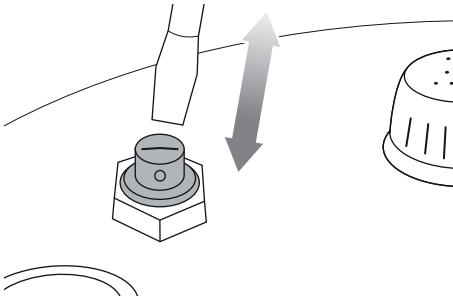
3. Gently pull the silicone lid seal out from around the wire ring on the underside of the lid.
4. Wash the sealing nut and pressure release valve in warm soapy water. Rinse with clean water and dry thoroughly.
5. Wash the silicone lid seal and the lid on the top rack of the dishwasher. Alternatively, wash in warm soapy water, rinse with clean water and dry thoroughly.
6. After cleaning the lid, regularly inspect and ensure;
 - a) Safety locking pin moves up and down freely. Always remove any oil or food residue left on this area.



- b) Pressure release valve and cover are clean and free of food or liquid. To clean, twist and pull the pressure release valve cover off the lid, wipe with a soapy cloth, rinse and dry thoroughly. Clip cover back into its original position.



- c) Pressure safety valve is clean and free of food or liquid. To clean, push the valve from inside so the valve sits open on the lid and remove any oil or food residue. Ensure the valve moves in and out smoothly after cleaning.



7. Attach the clean silicone lid seal securely back around the wire ring on the underside of the lid. Adjust position if necessary so that it sits comfortably and is free from any distortions.
8. To reattach the lid, orient the lid so that the steam release valve housing is to the rear of the unit, and then align the centre of the lid with the bolt on the underside of the lid arm and push into position to expose the screw thread. Secure the lid by screwing on the sealing nut so that the red seal touches the lid surface.

CLEANING THE STEAMING TRAY AND TRIVET

1. Wash all accessories in warm soapy water with a soft sponge or soft plastic scouring pad. Rinse and dry thoroughly. Do not use abrasive cleansers, metal scouring pads or metal utensils to clean any of the accessories as they may damage the surfaces.
2. To extend the life of your accessories, we do not recommend that these be placed in the dishwasher.



TIP

To help eliminate food odours, combine 2 cups (500ml) hot water, ½ cup (125ml) lemon juice, 1 tablespoon lemon rind and 1 tablespoon vanilla extract in the removable cooking bowl. Pressure cook at 80 kPa for 5 minutes using Natural steam release.

STORAGE

1. Ensure the cooker is turned off by pressing the STOP / CANCEL button on the control panel. The cooker is off when the button backlight is no longer illuminated.
2. Remove the power plug from the power outlet. Allow the cooker and all accessories to cool completely before disassembling and cleaning.
3. Ensure the cooker and all accessories are clean and dry.
4. Ensure the bowl is inserted into the cooker; the trivet is inserted into the steaming tray and placed inside the bowl.
5. Ensure the lid is closed and in the locked position.
6. Store the appliance in an upright position standing level on its support legs. Do not store anything on top.



Troubleshooting

PROBLEM

EASY SOLUTION

The lid cannot be opened at the end of the cooking cycle

- Press the STEAM RELEASE button until all internal pressure is released and the cooker can be opened.
- Once all internal pressure has been released using the STEAM RELEASE button, turn the pressure release valve to the open position, facing away from the lid knob.
- If this occurs frequently, the cooker may need to be adjusted to suit your current altitude. Follow “Altitude Adjust” instructions on page 12.

‘Open Lid’ is displayed on the LCD when the lid is open

- Turn the lid knob clockwise and counter clockwise.

Steam is escaping from the lid

OR

Safety locking pin does not rise

OR

Cooker is not getting to pressure

OR

Timer will not count down

- Assemble the lid correctly ensuring there is no gap between lid arm and the stainless steel lid. The sealing nut should be screwed on tightly. Follow step 5 on page 10.
- Ensure the silicone lid seal is clean, free from damage or cracks and is properly inserted. Follow step 4 on page 10.
- Ensure that the safety locking pin can move freely up and down. Follow step 6a on page 17.
- When the lid is locked, ensure the safety locking pin is properly aligned within the opening of the lid arm. See step 7, page 13.
- Ensure that the pressure release valve is properly seated in position and facing the lid knob. Follow step 8 on page 13.
- Add more liquid / food to the bowl. There should be a minimum of 1 litre combined food and liquid.
- If problem persists, call Sage Customer Service.

The cooker automatically switches to keep warm without going through a complete cooking cycle

- Add more water to the cooking bowl and restart the cycle.

Water is collecting on the benchtop

- Ensure the cooker is on a flat level surface and that the condensation drip cup is installed on the back of the cooker. Follow “Preparing the Fast Slow Pro™” instructions on page 10.
- Empty the condensation drip cup.



Guarantee

2 YEAR LIMITED GUARANTEE

Sage Appliances guarantees this product for domestic use in specified territories for 2 years from the date of purchase against defects caused by faulty workmanship and materials. During this guarantee period Sage Appliances will repair, replace, or refund any defective product (at the sole discretion of Sage Appliances).

All legal warranty rights under applicable national legislation will be respected and will not be impaired by our guarantee. For full terms and conditions on the guarantee, as well as instructions on how to make a claim, please visit www.sageappliances.com.

the Fast Slow Pro™



DE HANDBUCH

Sage®



Inhalte

2	Sage® Empfiehlt: Sicherheit Geht Vor
7	Komponenten
9	Wichtige Sicherheitsinformationen Für Ihren Fast Slow Pro™
11	Funktionen
18	Reinigung und Pflege
20	Problembeseitigung
21	Garantie

SAGE® EMPFIEHLT: SICHERHEIT GEHT VOR

Wir bei Sage® sind sehr sicherheitsbewusst. Beim Design und bei der Herstellung unserer Geräte denken wir zu allererst an Ihre Sicherheit. Darüber hinaus bitten wir Sie, bei der Verwendung jedes Elektrogeräts angemessene Sorgfalt anzuwenden und sich an die folgenden Vorsichtsmaßnahmen zu halten.

WICHTIGE VORSICHTSMAS- NAHMEN

**BITTE ALLE ANWEISUNGEN
VOR DEM GEBRAUCH
LESEN UND ZUR
SPÄTEREN BEZUGNAHME
AUFBEWAHREN.**

- Dieses Informationsbuch steht zum Download unter www.sageappliances.com zur Verfügung.
- Kinder vom Dampfkochtopf fern halten, solange er in Gebrauch ist.
- Dampfkochtopf nicht in einen heißen Ofen stellen.
- Unter Druck stehenden Dampfkochtopf mit größter Vorsicht bewegen. Keine heißen Oberflächen berühren. Griffe und Knöpfe benutzen. Gegebenenfalls Topflappen verwenden.
- Dampfkochtopf nur bestimmungsgemäß verwenden.
- Dieses Gerät kocht unter Druck. Die unsachgemäße Verwendung des Dampfkochtopfs kann zu Verbrühungen führen. Vor dem Erhitzen des Dampfkochtopfs stets prüfen, dass er korrekt geschlossen ist. Siehe die Anleitungen zum „Schnellkochen“ in dieser Broschüre.
- Dampfkochtopf nie mit Gewalt öffnen. Vor dem Öffnen stets sicherstellen, dass der Innendruck komplett abgesunken ist. Siehe die Anleitungen zur „Abdampffunktion“ in dieser Broschüre.
- Dampfkochtopf nie ohne Zugabe von Wasser verwenden – dies würde ihn schwer beschädigen.

- Dampfkochtopf nicht über 2 / 3 seiner Kapazität füllen. Beim Garen von Lebensmitteln, die während des Kochvorgangs aufquellen, wie Reis oder Hülsenfrüchte, Dampfkochtopf nicht über die Hälfte seiner Kapazität füllen.
- Die zum Garen benötigte Heizquelle ist im Gerät integriert.
- Nach dem Garen von Fleisch mit Haut (z. B. Ochsenzunge), das unter Druck quellen kann, das Fleisch nicht anstecken, solange die Haut noch unter Spannung steht, da dies zu Verbrühungen führen kann.
- Beim Garen von Lebensmitteln von dickflüssiger oder teigiger Konsistenz den Dampfkochtopf nach dem Abdampfen vorsichtig schwenken. Anschließend bei Bedarf vor dem Öffnen des Deckels nochmals abdampfen, um Aufspritzen des Garguts zu vermeiden.
- Vor jedem Gebrauch prüfen, dass die Ventile frei sind. Siehe Gebrauchsanweisung.
- Dampfkochtopf nie unter Druck zum Frittieren oder Braten verwenden.
- Keines der Sicherheitssysteme über die Wartungsanleitungen gemäß der Gebrauchsanweisung hinaus manipulieren.



VORSICHT

Nur das für dieses Gerät vorgesehene Kochgefäß verwenden; die Verwendung von nicht vorgesehenen Kochgefäßen führt zu einem nicht behebbaren Problem.

- Nur Sage®-Ersatzteile für das jeweilige Modell verwenden. Insbesondere nur von Sage® als kompatibel bezeichnete Körper und Deckel verwenden.
- Vor dem ersten Gebrauch prüfen, dass Ihre Netzspannung mit der auf dem Etikett an der Unterseite des Geräts übereinstimmt. Bitte wenden Sie sich bei etwaigen Bedenken an Ihren örtlichen Stromversorger.
- Vor dem Gebrauch alle Verpackungsmaterialien und Werbeaufkleber abnehmen und sicher entsorgen.
- Schutzhülle am Netzstecker des Geräts abnehmen und sicher entsorgen, da sie für Kleinkinder eine Erstickungsgefahr darstellen könnte.
- Gerät nur nutzen, wenn es richtig zusammengesetzt ist. Bitte die Anweisungen in dieser Broschüre befolgen.
- Den Steckverbinder des Netzkabels immer erst an das Gerät anschließen und erst danach den Netzstecker in die Steckdose einstecken und das Gerät einschalten. Vor dem Anschluss des Steckverbinders

prüfen, dass die Buchse am Gerät völlig trocken ist.

- Steckverbinder stets sauber und trocken halten.
- Keine heißen Oberflächen berühren. Die Oberflächen des Geräts sind während des Betriebs und danach heiß. Zur Vermeidung von Verbrennungen und Verletzungen immer Topflappen oder Ofenhandschuhe verwenden oder verfügbare Griffe und Knöpfe nutzen.
- Gerät beim Betrieb nicht an der Kante Ihrer Arbeitsplatte oder Ihres Tisches aufstellen. Standfläche eben, sauber und trocken halten.
- Gerät immer auf einer stabilen, hitzebeständigen Oberfläche betreiben. Gerät nicht auf Tischdecken, Geschirrtüchern oder Ähnlichem verwenden und zwischen dem Gerät und Wänden, Vorhängen, Tüchern oder anderen hitzeempfindlichen Materialien mindestens 20 cm Abstand halten.
- Gerät nicht auf oder neben eine heiße Gas- oder Elektrokochplatte oder in die direkte Nähe eines heißen Ofens stellen.
- Gerät nicht auf der Abtropffläche Ihrer Spüle verwenden.
- Gerät während des Garens nicht auf Arbeitsplatten aus Stein stellen, da diese gegenüber ungleichmäßig verteilter Hitze empfindlich sind und bei punktueller Erhitzung Risse entwickeln können. Wenn Sie das Gerät als Langsamkocher auf einer solchen Arbeitsplatte verwenden möchten, ein Schneidebrett oder eine hitzebeständige Matte unterlegen.
- Auf das zusammengesetzte Gerät oder während des Gebrauchs oder der Lagerung nichts anderes als den Deckel legen.
- Gerät nicht am Deckel tragen.
- Unterseite des abnehmbaren Innentopfs und des Geräts vor dem Einsetzen des Topfs in den Fuß mit einem trockenen, weichen Tuch abwischen um sicherzustellen, dass diese Teile trocken sind.
- Innentopf nicht verwenden, wenn er beschädigt ist, beschädigten Topf vor dem Gebrauch austauschen.
- Keine Lebensmittel oder Flüssigkeiten direkt in den Edelstahl-Fuß legen bzw. gießen. Nur der abnehmbare Innentopf ist für die Aufnahme von Lebensmitteln oder Flüssigkeiten konzipiert.
- Abdampfventil und Sicherheitsstift vor dem Gebrauch stets auf Blockaden prüfen und gegebenenfalls reinigen. Prüfen, dass sich der Sicherheitsstift frei aus dem Deckel bewegen kann.
- Abdampfventil während des

- Gebrauchs nicht berühren.
- Zum Ablassen von Druck nach dem Gebrauch nur die empfohlene Funktion STEAM RELEASE (ABDAMPFEN) verwenden.
 - Zur Reinigung des Geräts keine scheuernden oder ätzenden Reinigungsmittel oder Ofenreiniger verwenden. Gerät sauber halten. Siehe Abschnitt Reinigung und Pflege.
 - Gerät während des Betriebs nicht unbeaufsichtigt lassen.
 - Äußerste Vorsicht ist geboten, wenn der Dampfkochtopf heiße Speisen und Flüssigkeiten enthält und / oder unter Druck steht. Unsachgemäße Verwendung kann zu Verletzungen führen. Wenn dieses Gerät zum Schnellkochen, Schon- und Dampfgaren verwendet wird, vergewissern Sie sich vor der Verwendung, dass der Deckel richtig montiert und eingerastet ist.
 - Während des Betriebs den Dampfkochtopf nicht bewegen.

WICHTIGE SICHERHEITS -HINWEISE FÜR ALLE ELEKTRO- GERÄTE

- Gerät nicht verwenden, wenn es verschlissen ist, fallen gelassen wurde oder in irgendeiner Weise

beschädigt ist.

- Netzkabel vor dem Gebrauch vollständig entrollen.
- Netzkabel nicht über Arbeitsplatten oder Tischkanten hängen lassen, von heißen Oberflächen fern halten, Kabelgewirr vermeiden.
- Nur an Netzanschlüsse mit 220–240 V anschließen.
- Gerät immer ausschalten, sofern möglich auch an der Steckdose, Netzstecker ziehen und alle Teile abkühlen lassen, ehe Sie das Gerät bewegen, reinigen oder lagern, ebenso wenn es nicht in Gebrauch ist.
- Dieses Gerät kann von Kindern ab dem Alter von 8 Jahren sowie von Personen mit eingeschränkten körperlichen, sensorischen oder geistigen Fähigkeiten oder mit mangelnder Erfahrung und fehlenden Kenntnissen genutzt werden, sofern sie beaufsichtigt werden oder in den sicheren Gebrauch des Geräts eingewiesen wurden und sich der entsprechenden Risiken bewusst sind.
- Kinder nicht mit dem Gerät spielen lassen.
- Die Reinigung und Wartung des Geräts nicht von Kindern vornehmen lassen, sofern sie nicht mindestens 8 Jahre alt sind und beaufsichtigt werden.

- Gerät und Kabel für Kinder unter 8 Jahren unzugänglich aufbewahren.
- Regelmäßige Sichtprüfungen des Geräts vornehmen. Gerät nicht verwenden, wenn das Netzkabel, der Netzstecker oder das Gerät selbst in irgendeiner Weise beschädigt ist. Wenden Sie sich bei Schäden oder zur Wartung (außer Reinigung) bitte an den Sage-Kundendienst oder besuchen Sie sageappliances.com
- Die Verwendung nicht von Sage® vertriebener oder empfohlener Aufsätze kann Brand, Stromschlag oder Verletzung nach sich ziehen.
- Dieses Gerät ist nur für den Haushaltsgebrauch bestimmt. Gerät nur bestimmungsgemäß verwenden. Nicht in fahrenden Fahrzeugen oder Booten verwenden.
- Nicht im Freien verwenden. Missbrauch kann Verletzungen nach sich ziehen.
- Das Gerät ist nicht zur Verwendung mit einer externen Zeitschaltuhr oder separaten Fernbedienung gedacht.
- Die Installation eines Schutz- oder Sicherheitsschalters wird bei der Verwendung von Elektrogeräten als zusätzliche Schutzmaßnahme empfohlen. Es wird der Einbau eines Fehlerstromschutzschalters mit maximal 30 mA Nennleistung im Stromkreis des Geräts empfohlen. Fachgerechte Beratung erhalten Sie von Ihrem Elektriker.

SPEZIFIKATIONEN

Model	SPR700
Nominalvolumen	6 Liter
Nutzbares Volumen	4 Liter
Arbeitsdruck	80kPa

Diese Spezifikationen können ohne Ankündigung geändert werden.



Dieses Symbol zeigt, dass das Gerät nicht im normalen Hausmüll entsorgt werden sollte.

Es sollte stattdessen bei einem entsprechenden kommunalen Wertstoffhof oder Fachhändler zur Entsorgung abgegeben werden. Weitere Einzelheiten erfahren Sie von Ihrer Kommunalbehörde.

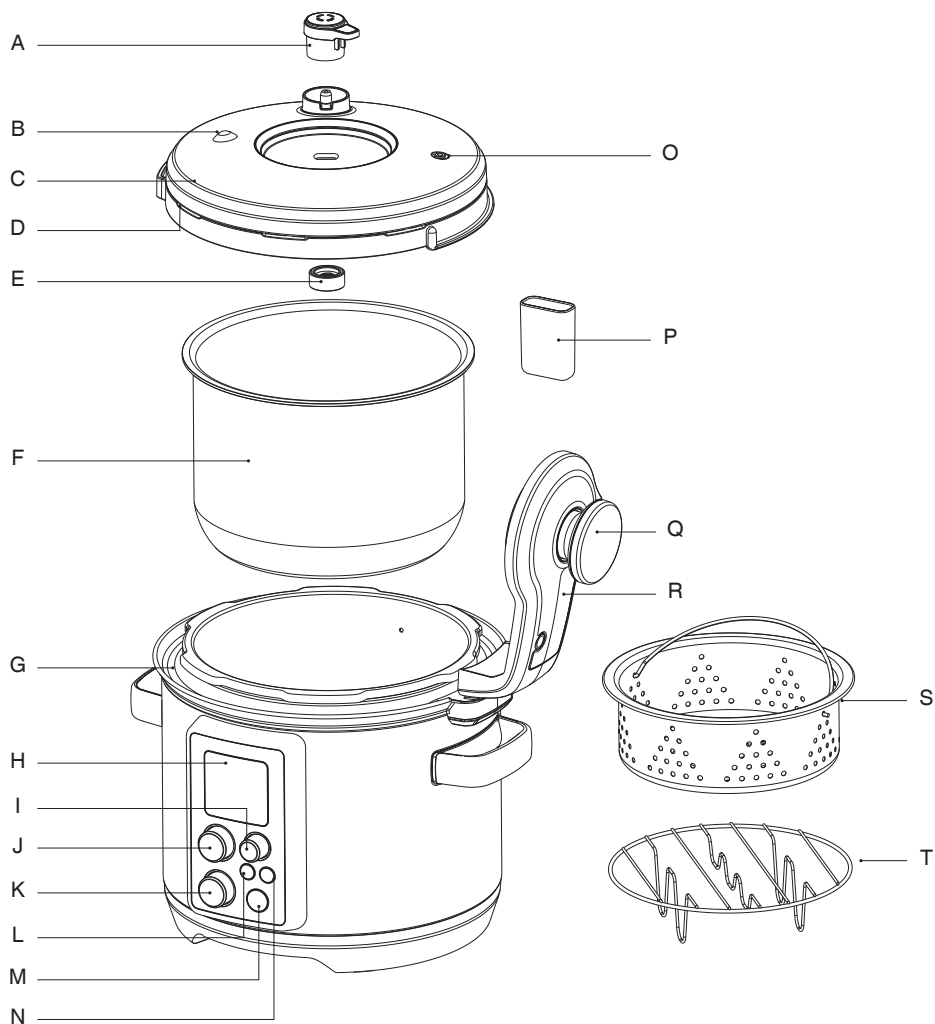


Zum Schutz gegen Stromschlag Netzkabel, Netzstecker oder Gerät nicht in Wasser oder andere Flüssigkeiten tauchen.

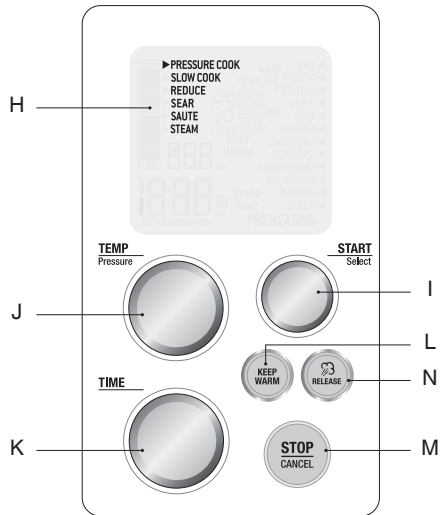
DIESE ANLEITUNG AUFBEWAHREN



Komponenten



Leistungsangaben
220-240V ~ 50-60Hz 900-1100W



- | | |
|---|--|
| A. Abdampfventil | K. Drehwähler Time (Zeit) |
| B. Druck-Sicherheitsventil | L. Keep Warm (Warmhalten) |
| C. Spülmaschinenfester, abnehmbarer Deckel | M. Taste Stop / Cancel (Stopp / Abbruch) |
| D. Silikondichtung am Deckel | N. Steam Release (Abdampfen) |
| E. Dichtmutter | O. Sicherheitsstift |
| F. 6-l-Innentopf | P. Kondenswasserbehälter |
| G. Einfach zu reinigende Auffangrinne | Q. Deckelknopf |
| H. Interaktive LCD-Anzeige | R. Deckelarm |
| I. Drehwähler Start / Select (Start / Auswahl) | S. Edelstahl-Locheinsatz |
| J. Drehwähler Temperature / Pressure (Temperatur / Druck) | T. Edelstahl-Einsatzrost |

WICHTIGE SICHERHEITSINFORMATIONEN FÜR IHREN FAST SLOW PRO™

Dieses Gerät gart unter Druck und muss gemäß dieser Broschüre verwendet und instand gehalten werden. Im Dampfkochtopf aufgebauter Druck kann Gefahrensituationen verursachen, wenn das Gerät nicht gemäß diesem Benutzerhandbuch verwendet und instand gehalten wird.

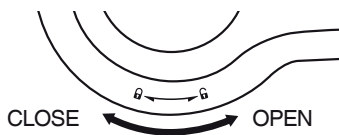
KAPAZITÄT DES INNENTOPFS

- Nur mit ausreichend flüssigen oder festen Zutaten im abnehmbaren Innentopf garen.
- Füllhöhe „MAX“ – Maximale Füllhöhe nicht überschreiten. Garen mit übervollem Innentopf kann zu Verletzungen oder Schäden führen oder die sichere Verwendung des Kochtopfs beeinträchtigen.
- Füllstand „1/2“ – Zum Garen von quellenden Lebensmitteln (z. B. Trockengemüse, Bohnen, Getreide, Reis usw.). NICHT über die mittlere Höhe hinaus füllen.
- Füllhöhe „MIN“ – Abnehmbaren Innentopf mindestens bis zur Minimum-Füllhöhe füllen, um ordnungsgemäßen Betrieb zu gewährleisten und Hitzeschäden oder Brand zu vermeiden.

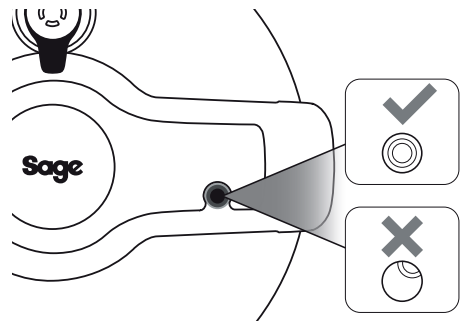
DECKEL NIE MIT GEWALT SCHLIEßEN.

SCHLIEßEN DES DECKELS

- Prüfen, dass die Silikondichtung korrekt entlang des Drahrings an der Deckelunterseite eingelegt und der Sicherheitsstift frei beweglich ist.
- Deckel in die geschlossene Position absenken. Deckelknopf im Uhrzeigersinn zum Symbol „Verriegelt“ hin drehen. Der Deckel sollte sich einfach und mühelos schließen und verriegeln lassen. **DECKEL NICHT MIT GEWALT ODER GEGEN WIDERSTAND SCHLIEßEN.** Die Verriegelung des Deckels wird durch eine Akustikmeldung bestätigt.



- Stets prüfen, dass der Sicherheitsstift in der Öffnung des Deckelarms korrekt und frei beweglich ausgerichtet ist.



HINWEIS

Wenn der Deckel über heißem Topfinhalt geschlossen wird, kann es nötig sein, den Deckelknopf leicht nach unten zu drücken, solange der Deckel noch nicht verriegelt ist, sodass der Deckel leicht gedreht werden kann.

FREIHAND-ABDAMPFFUNKTION

Der Dampfkochtopf verfügt über eine automatische Freihand-Abdampffunktion, die aus dem unter Druck stehenden Gerät gelegentlich Dampf ablässt und nach dem Garen automatisch den Abdampfzyklus einleitet.

- Hände, Arme oder Gesicht nie über das Abdampfventil halten. Druck kann außer über die automatische Abdampf Funktion auch durch Betätigung der Taste **STEAM RELEASE (ABDAMPFEN)** oder manuell durch Drehen des Abdampfventils abgelassen werden.

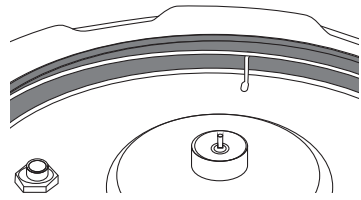
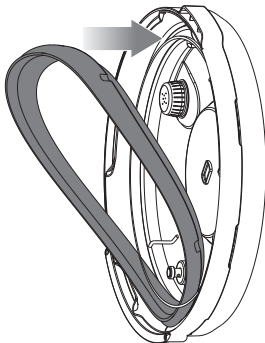
ÖFFNEN DES DECKELS

- Deckelknopf entgegen dem Uhrzeigersinn zum Symbol „Entriegelt“ hin drehen. Die Entriegelung des Deckels wird durch eine Akustikmeldung bestätigt.
- Der Deckel sollte sich mühelos öffnen lassen, sobald der Innendruck komplett abgelassen ist. Deckel nie mit Gewalt öffnen.
- Wenn sich der Deckel nicht entriegeln lässt oder Sie noch Widerstand spüren, kann der Topf eventuell noch unter Druck stehen. In diesem Fall die Taste STEAM RELEASE (ABDAMPFEN) gedrückt halten, bis der Innendruck komplett abgelassen ist und sich der Deckel mühelos öffnen lässt.

DECKEL NIE MIT GEWALT ÖFFNEN.

VORBEREITUNG DES FAST SLOW PRO™

1. Alle Verpackungsmaterialien, Werbeaufkleber und Klebebänder vom Gerät entfernen.
2. Deckelknopf zum Anheben des Deckels erst entgegen dem Uhrzeigersinn drehen. Deckel dann anheben, bis er nach oben geklappt ist. Dichtmutter von der Deckelmitte abschrauben und abnehmen. Deckel aus dem Arm herausziehen.
3. Deckel, abnehmbaren Innentopf und Silikondichtung in heißem Spülwasser waschen, gründlich spülen und trocknen. Gerätefuß innen und außen mit einem weichen, feuchten Tuch abwischen und sorgfältig trocknen.
4. Die Silikondichtung kann mit beiden Seiten zum Deckel hin eingesetzt werden. Silikondichtung entlang der Außenseite des Drahrings an der Deckelunterseite einlegen. Prüfen, dass sie komplett eingesetzt ist und flach am Drahring anliegt.



5. Der Deckel kann nur in einer Position eingesetzt werden und muss korrekt zusammengesetzt sein, damit das Gerät funktioniert. Deckel so positionieren, dass die Abdeckung des Abdampfventils zur Rückseite des Geräts zeigt (Abb. A). Deckelmitte mit dem Bolzen an der Unterseite des Deckelarms ausrichten (Abb. B) und Deckel so einschieben, dass das Gewinde sichtbar ist. Dichtmutter mit dem roten Ring zum Deckel hin auf den Bolzen aufschrauben, um den Deckel zu sichern. Nach dem Zusammensetzen prüfen, dass das Abdampfventil korrekt sitzt und zum Deckelknopf zeigt.

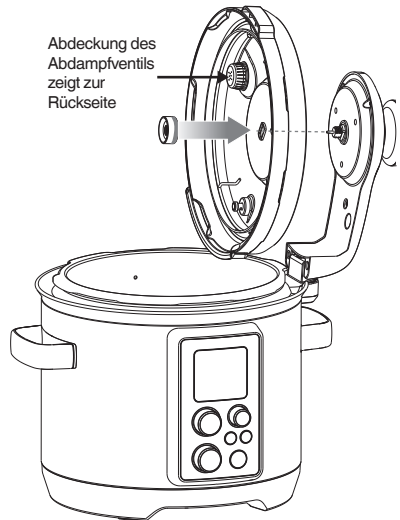


Abb. A

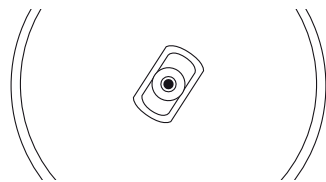
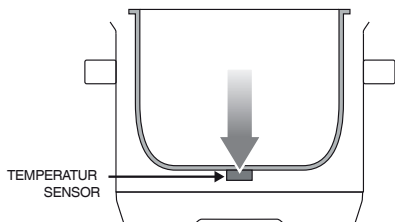
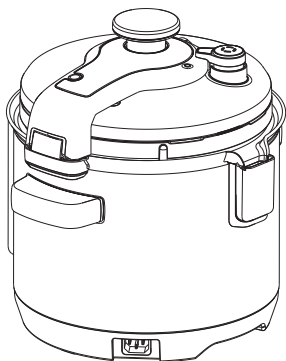
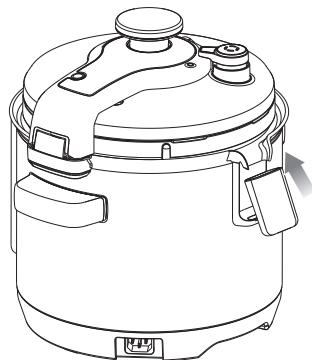


Abb. B

6. Unterseite des abnehmbaren Innentopfs und Temperatursensor reinigen und trocknen. Alle unerwünschten Materialien von den Oberflächen entfernen. Der abnehmbare Innentopf muss für guten Kontakt flach auf dem Temperatursensor aufliegen.



7. Kondenswasserbehälter einrasten lassen.



8. Steckverbinder des Netzkabels an den Fuß des Geräts anschließen. Prüfen, dass die Buchse völlig trocken ist. Netzstecker in eine (geerdete) Steckdose mit 220–240V einstecken.
9. Das Gerät gibt eine Akustikmeldung aus und die LCD-Anzeige leuchtet auf. Die

Einstellungsoptionen erscheinen zusammen mit der Anzeige PRESSURE COOK (SCHNELLKOCHEN).



Funktionen

INTELLIGENTE EINSTELLUNGEN

Der Fast Slow Pro™ verfügt über sechs intelligente Einstellungen: Pressure Cook (Schnellkochen), Slow Cook (Langsamkochen), Reduce (Reduzieren), Sear (Anbraten), Sauté (Sautieren) und Steam (Dampfgaren). Die Einstellungen für das Schnell- und Langsamkochen beinhalten eine Liste häufig verwendeter Gerichte mit für optimale Ergebnisse voreingestellten Garzeiten und Temperatur- bzw. Druckeinstellungen. Wir empfehlen jedoch, mit diesen Einstellungen je nach Rezept, Zubereitungsmenge und persönlichem Geschmack zu experimentieren. Wählen Sie alternativ die Einstellung CUSTOM (PERSONALISIERTE), um Ihre eigenen Einstellungen für Garzeit, Temperatur und Druck vorzunehmen. Ihre CUSTOM-Einstellung bleibt im Speicher des Geräts. Schalten Sie zum Zurücksetzen auf die Werkseinstellungen das Gerät am Netzstecker aus und halten Sie die Taste START / SELECT (START / AUSWAHL) gedrückt, während Sie das Gerät am Netzstecker wieder einschalten.

FREIHAND-ABDAMPFFUNKTION

Der Fast Slow Pro™ bietet drei Optionen zum Abdampfen:

Auto Quick

Schnelles Ablassen von Druck, um Verkochen von Speisen mit kurzer Garzeit zu vermeiden.

Auto Pulse

Stoßweises, für gegarte Speisen besonders schonendes Ablassen von Druck.

Natural

Allmähliches Nachlassen des Drucks ohne Ablassen über das Ventil, um empfindliche Zutaten wie Bohnen oder Fonds zu schonen und intakt zu halten. Diese Optionen können während des Abdampf- oder Einrichtungszyklus anhand der Taste STEAM RELEASE (ABDAMPFEN) ausgewählt werden. Nach der Auswahl lässt das Abdampfventil am Ende des Schnellkochzyklus automatisch Druck ab. Halten Sie während oder nach einem Garzyklus die Taste STEAM RELEASE gedrückt, um das Abdampfventil zu öffnen



VORSICHT

Hände und Gesicht beim Schnellkochen stets vom Abdampfventil fern halten, da während des Betriebs heißer Dampf und Wasser entweichen können.

ALTITUDE ADJUST (HÖHENANPASSUNG)

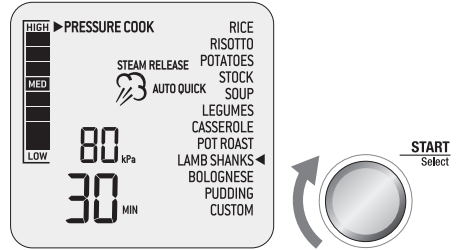
Druck baut sich stetig auf, wenn die Temperatur im Innentopf über den Siedepunkt hinaus steigt. Auf größeren Höhen sinkt der Siedepunkt von Wasser aufgrund des geringeren Luftdrucks. Dies führt bei der Verwendung eines Schnellkochtopfs zu stark veränderten Bedingungen. Der Fast Slow Pro™ verfügt über eine Funktion zur Höhenanpassung, um auf verschiedenen Höhen gleichmäßige Ergebnisse zu erzielen. Diese Funktion passt die Einstellungen des Geräts entsprechend Ihrer aktuellen Höhe an.

1. Zum Aufruf des Modus Altitude Adjust (Höhenanpassung) Taste STOP / CANCEL (STOPP / ABRUCH) gedrückt halten, um den Standby-Modus zu aktivieren. Die Tastenbeleuchtung und LCD-Anzeige erlöschen.
2. Im Standby-Modus die Tasten KEEP WARM (WARMHALTEN) und STEAM RELEASE (ABDAMPFEN) gleichzeitig 2 Sekunden lang gedrückt halten.
3. Mit dem Drehwähler TIME (ZEIT) Ihre aktuelle Höhe einstellen. Die Höhe lässt sich von 250 m bis 1999 m einstellen. Über 2000 m Höhe sollte der Dampfkochtopf nicht verwendet werden.
4. Zur Bestätigung die Taste START / SELECT (START / AUSWAHL) drücken.
5. Die Geräteeinstellungen wurden jetzt entsprechend Ihrer Höhenlage angepasst. Schalten Sie zum Zurücksetzen auf die Meereshöhe (Werkseinstellung) das Gerät am Netzstecker aus und halten Sie die Taste START / SELECT gedrückt, während Sie das Gerät am Netzstecker wieder einschalten.

PRESSURE COOK (SCHNELLKOCHEN)

1. Drehwähler START / SELECT (START / AUSWAHL) drehen, bis die Einstellung PRESSURE COOK (SCHNELLKOCHEN) angezeigt wird. Zur Bestätigung die Taste START / SELECT (START / AUSWAHL) drücken.
2. Drehwähler START / SELECT drehen, bis

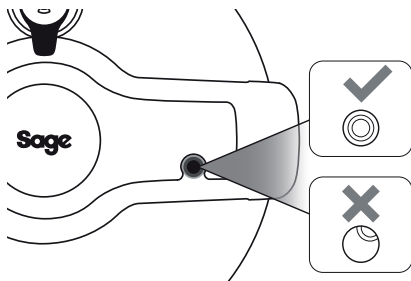
rechts in der LCD-Anzeige die gewünschte Einstellung angezeigt wird.



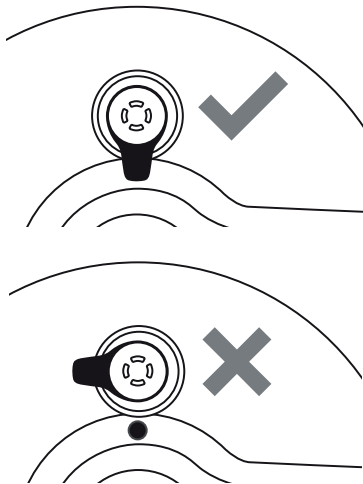
3. Die obere Ziffer in der LCD-Anzeige gibt den für die gewählte Einstellung voreingestellten Druck an. Drehwähler TEMPERATURE / PRESSURE (TEMPERATUR / DRUCK) für geringeren Druck nach links und für höheren Druck nach rechts drehen. Der Druck kann von 20 kPa (LOW (NIEDRIG)) bis 80 kPa (HIGH (HOCH)) eingestellt werden.
4. Die untere Ziffer in der LCD-Anzeige gibt die für die gewählte Einstellung voreingestellte Garzeit an. Drehwähler TIME (ZEIT) für kürzere Garzeit nach links und für längere Garzeit nach rechts drehen. Die Zeit kann auf bis zu 2 Stunden eingestellt werden.
5. Das Dampf-Symbol in der LCD-Anzeige gibt die für die gewählte Einstellung voreingestellte Abdampffunktion an. Taste STEAM RELEASE (ABDAMPFEN) drücken, um zwischen den Funktionen „AUTO QUICK“, „AUTO PULSE“ und „NATURAL“ zu wählen.
6. Zutaten in den abnehmbaren Innentopf geben. Es muss sich mindestens 1 l an festen und flüssigen Zutaten im Topf befinden.



7. Deckel schließen und Deckelknopf zum Verriegeln im Uhrzeigersinn drehen. Die Verriegelung des Deckels wird durch eine Akustikmeldung bestätigt. Prüfen, dass der Sicherheitsstift in der Öffnung des Deckelarms korrekt und frei beweglich ausgerichtet ist.



8. Prüfen, dass das Abdampfventil am Deckel korrekt sitzt und zum Deckelknopf zeigt.



9. Zum Start des Kochvorgangs die Taste **START / SELECT (START / AUSWAHL)** drücken. Die Taste **STOP / CANCEL (STOPP / ABBRUCH)** leuchtet rot und die LCD-Anzeige orange auf. Die Anzeige **PREHEATING (VORHEIZEN)** erscheint, und der Balken links wird mit zunehmendem Druck länger.

HINWEIS

Gelegentliches stoßweises Ablassen von Dampf ist normal. Das Gerät stabilisiert so seinen Innendruck.

10. Wenn der Deckel nicht korrekt verriegelt ist, erscheint auf der LCD-Anzeige „**LOCK LID**“ (DECKEL VERRIEGELN). Deckelknopf zum Verriegeln im Uhrzeigersinn drehen. Der Kochvorgang kann dann beginnen.
11. Sobald das Gerät den gewünschten Druck erreicht hat, erlischt die Anzeige „**PREHEATING**“. Es wird eine Akustikmeldung

ausgegeben, der Timer beginnt abwärts zu zählen und der Balken zur Druckanzeige gibt den aktuellen Druck im Topf an.

12. Die Zeit kann während des Schnellkochzyklus durch Drehen des Drehwählers **TIME (ZEIT)** nachgestellt werden. Der Zyklus kann jederzeit durch Betätigung der Taste **STOP / CANCEL (STOPP / ABBRUCH)** pausiert werden. Zum Beenden des Zyklus Taste **STOP / CANCEL** 2 Sekunden lang gedrückt halten. Wenn im Topf bereits Druck aufgebaut wurde, wird sofort die Abdampffunktion eingeleitet.
13. Am Ende des Schnellkochzyklus ertönt eine Akustikmeldung, und Dampf wird automatisch über das Abdampfventil abgelassen. Das Symbol „Dampf“ blinkt, der Timer beginnt aufwärts zu zählen und der Balken zur Druckanzeige wird entsprechend dem aktuellen Druck im Topf kleiner. Ist die Abdampffunktion **NATURAL** gewählt, lässt der Druck im Topf allmählich nach, ohne dass Dampf durch das Abdampfventil abgelassen wird. Zur Änderung der Einstellung für die Abdampffunktion während des Abdampfzyklus die Taste **STEAM RELEASE (ABDAMPFEN)** drücken.
14. Am Ende des Abdampfzyklus gibt das Gerät eine Akustikmeldung aus, die LCD-Anzeige leuchtet blau und der Timer beginnt aufwärts zu zählen.
15. Deckelknopf zum Anheben des Deckels entgegen dem Uhrzeigersinn drehen. Deckel dann vorsichtig anheben, bis er nach oben geklappt ist.
16. Nach 5 Minuten Inaktivität wird der Standby-Modus aktiviert. Die Tastenbeleuchtung und LCD-Anzeige erlöschen.

VORSICHT

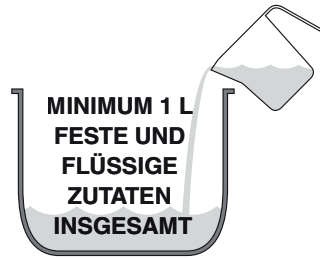
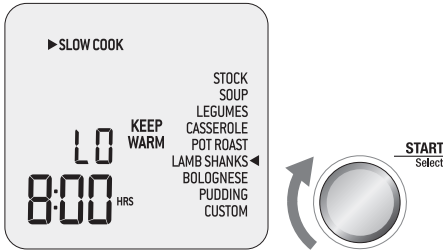
Gesicht und Hände beim Öffnen des Deckels nie über das Gerät halten, um Verbrühungen durch entweichenden Dampf zu vermeiden.

HINWEIS

Wenn sich der Deckel nicht entriegeln lässt, steht der Topf noch unter Druck. Deckel nicht mit Gewalt öffnen, da der noch bestehende Druck gefährlich sein kann. In diesem Fall die Taste **STEAM RELEASE (ABDAMPFEN)** gedrückt halten, bis der Innendruck komplett abgelassen ist und sich der Deckel mühelos öffnen lässt.

SLOW COOK (LANGSAMKOCHEN)

1. Drehwähler START / SELECT (START / AUSWAHL) drehen, bis die Einstellung SLOW COOK (LANGSAMKOCHEN) angezeigt wird. Zur Bestätigung die Taste START / SELECT (START / AUSWAHL) drücken.
2. Drehwähler START / SELECT drehen, bis rechts in der LCD-Anzeige die gewünschte Einstellung angezeigt wird.



3. Die obere Ziffer in der LCD-Anzeige gibt die für die gewählte Einstellung voreingestellte Temperatur an. Drehwähler TEMPERATURE / PRESSURE (TEMPERATUR / DRUCK) für geringere Temperatur nach links und für höhere Temperatur nach rechts drehen. Die Temperatur kann auf eine der beiden voreingestellten Temperaturen eingestellt werden: „LO“ (NIEDRIG) oder „HI“ (HOCH).
4. Die untere Ziffer in der LCD-Anzeige gibt die für die gewählte Einstellung voreingestellte Garzeit an. Drehwähler TIME (ZEIT) für kürzere Garzeit nach links und für längere Garzeit nach rechts drehen. Die Zeit kann zwischen 2 und 12 Stunden eingestellt werden.
5. „KEEP WARM“ zeigt an, dass die WARMHALTEFUNKTION nach dem Zyklus für LANGSAMKOCHEN automatisch aktiviert wird. Taste KEEP WARM im Bedienfeld drücken, um die Funktion zu aktivieren oder deaktivieren.
6. Zutaten in den abnehmbaren Innentopf geben. Es muss sich mindestens 1 l an festen und flüssigen Zutaten im Topf befinden.
7. Schließen Sie den Deckel und rasten Sie ihn durch Drehen in die Verriegelungsposition ein.
8. Vergewissern Sie sich, dass das Gewicht des Abdampfventils auf dem Deckel und in geschlossener Position ist.
9. Zum Start des Kochvorgangs die Taste START / SELECT (START / AUSWAHL) drücken. Die Taste STOP / CANCEL (STOPP / ABBRUCH) leuchtet rot und die LCD-Anzeige orange auf.
10. Der Timer wird angezeigt und zählt automatisch abwärts. Die Zeit kann während des Langsamkochzyklus durch Drehen des Drehwählers TIME (ZEIT) nachgestellt werden. Der Zyklus kann jederzeit durch Betätigung der Taste STOP / CANCEL (STOPP / ABBRUCH) pausiert werden. Zum Beenden des Zyklus Taste STOP / CANCEL 2 Sekunden lang gedrückt halten.
11. Am Ende des Langsamkochzyklus aktiviert das Gerät automatisch die WARMHALTEFUNKTION. Die LCD-Anzeige zeigt „KEEP WARM“ (WARMHALTEN), und der Timer zählt bis maximal 2 Stunden aufwärts. Der Warmhaltezyklus kann jederzeit durch Betätigung der Taste STOP / CANCEL (STOPP / ABBRUCH) pausiert werden.
12. Wenn die WARMHALTEFUNKTION nicht gewählt ist, gibt das Gerät eine Akustikmeldung aus, die Taste STOP / CANCEL (STOPP / ABBRUCH) erlischt und die LCD-Anzeige leuchtet blau.
13. Nach 5 Minuten Inaktivität wird der Standby-Modus aktiviert. Die Tastenbeleuchtung und LCD-Anzeige erlöschen.

REDUCE (REDUZIEREN)

Die Einstellung REDUCE (REDUZIEREN) ist ideal, um Saucen, Sirupe und Fonds einzukochen und ihr Aroma zu intensivieren.

1. Drehwähler START / SELECT (START / AUSWAHL) drehen, bis die Einstellung REDUCE (REDUZIEREN) angezeigt wird. Zur Bestätigung die Taste START / SELECT (START / AUSWAHL) drücken.
2. Die obere Ziffer in der LCD-Anzeige gibt die für die Einstellung REDUCE voreingestellte Temperatur an. Drehwähler TEMPERATURE / PRESSURE (TEMPERATUR / DRUCK) für geringere Temperatur nach links und für höhere Temperatur nach rechts drehen. Die Temperatur kann auf eine von drei voreingestellten Temperaturen eingestellt werden: „LO“ (NIEDRIG), „MED“ (MITTEL) oder „HI“ (HOCH).
3. Die untere Ziffer in der LCD-Anzeige gibt die für die Einstellung REDUCE voreingestellte Kochzeit an. Drehwähler TIME (ZEIT) für kürzere Garzeit nach links und für längere Kochzeit nach rechts drehen. Die Zeit kann auf bis zu 2 Stunden eingestellt werden.
4. Zu reduzierende Flüssigkeit in den abnehmbaren Innentopf geben.



HINWEIS

Schnell oder langsam gegartes Fleisch oder Gemüse vor dem Reduzieren aus dem Topf nehmen. Fleisch wieder in die Sauce einlegen, sobald diese die richtige Konsistenz und das gewünschte Aroma erreicht hat, und darin einige Minuten wärmen.

5. Zum Start des Kochvorgangs die Taste START / SELECT (START / AUSWAHL) drücken. Die Taste STOP / CANCEL (STOPP / ABBRUCH) leuchtet rot und die LCD-Anzeige orange mit dem Text „PREHEATING“ (VORHEIZEN) auf.
6. Deckel in der aufgeklappten Position offen lassen. Wenn der Deckel nicht offen ist, ertönt eine Akustikmeldung und auf der LCD-Anzeige erscheint „OPEN LID“ (DECKEL ÖFFNEN).
7. Die Anzeige „PREHEATING“ erlischt, sobald das Gerät die gewünschte Temperatur erreicht hat. Zu reduzierende.

8. Der Timer beginnt abwärts zu zählen. Die Zeit kann während des Reduzierzyklus durch Drehen des Drehwählers TIME (ZEIT) nachgestellt werden. Der Zyklus kann jederzeit durch Betätigung der Taste STOP / CANCEL (STOPP / ABBRUCH) pausiert werden. Zum Beenden des Zyklus Taste STOP / CANCEL 2 Sekunden lang gedrückt halten.
9. Am Ende des Reduzierzyklus gibt das Gerät eine Akustikmeldung aus, die Taste STOP / CANCEL (STOPP / ABBRUCH) erlischt und die LCD-Anzeige leuchtet blau.
10. Nach 5 Minuten Inaktivität wird der Standby-Modus aktiviert. Die Tastenbeleuchtung und LCD-Anzeige erlöschen.

SEAR (ANBRATEN)

Mit der Einstellung SEAR (ANBRATEN) lässt sich der Geschmack von Gerichten intensivieren, da Zutaten vor dem schnellen oder langsamen Kochen im selben Topf karamellisiert und angebräunt werden.

1. Drehwähler START / SELECT (START / AUSWAHL) drehen, bis die Einstellung SEAR (ANBRATEN) angezeigt wird. Zur Bestätigung die Taste START / SELECT (START / AUSWAHL) drücken.
2. Die Taste STOP / CANCEL (STOPP / ABBRUCH) leuchtet rot und die LCD-Anzeige orange mit dem Text „PREHEATING“ (VORHEIZEN) auf.
3. Deckel in der aufgeklappten Position offen lassen. Wenn der Deckel nicht offen ist, ertönt eine Akustikmeldung und auf der LCD-Anzeige erscheint „OPEN LID“ (DECKEL ÖFFNEN).
4. Die Anzeige „PREHEATING“ erlischt, sobald das Gerät die gewünschte Temperatur erreicht hat. Zu garende Zutaten in den abnehmbaren Innentopf geben.
5. Der Timer beginnt, bis auf maximal 45 Minuten aufwärts zu zählen. Der Zyklus kann jederzeit durch Betätigung der Taste STOP / CANCEL (STOPP / ABBRUCH) pausiert werden. Zum Beenden des Zyklus Taste STOP / CANCEL 2 Sekunden lang gedrückt halten.
6. Am Ende des Anbratzyklus gibt das Gerät eine Akustikmeldung aus, die Taste STOP / CANCEL (STOPP / ABBRUCH) erlischt und die LCD-Anzeige leuchtet blau.
7. Nach 5 Minuten Inaktivität wird der Standby-Modus aktiviert. Die Tastenbeleuchtung und LCD-Anzeige erlöschen.

SAUTÉ (SAUTIEREN)

Die Einstellung SAUTÉ (SAUTIEREN) eignet sich ideal zum Andünsten und Karamellisieren von Knoblauch, Zwiebeln und kleiner geschnittenen Zutaten vor dem Schnell- oder Langsamkochen.

1. Drehwähler START / SELECT (START / AUSWAHL) drehen, bis die Einstellung SAUTÉ (SAUTIEREN) angezeigt wird. Zur Bestätigung die Taste START / SELECT (START / AUSWAHL) drücken.
2. Die obere Ziffer in der LCD-Anzeige gibt die für die Einstellung SAUTÉ voreingestellte Temperatur an. Drehwähler TEMPERATURE / PRESSURE (TEMPERATUR / DRUCK) für geringere Temperatur nach links und für höhere Temperatur nach rechts drehen. Die Temperatur kann auf eine von drei voreingestellten Temperaturen eingestellt werden: „LO“ (NIEDRIG), „MED“ (MITTEL) oder „HI“ (HOCH).
3. Zum Start des Kochvorgangs die Taste START / SELECT (START / AUSWAHL) drücken. Die Taste STOP / CANCEL (STOPP / ABBRUCH) leuchtet rot und die LCD-Anzeige orange mit dem Text „PREHEATING“ (VORHEIZEN) auf.
4. Deckel in der aufgeklappten Position offen lassen. Wenn der Deckel nicht offen ist, ertönt eine Akustikmeldung und auf der LCD-Anzeige erscheint „OPEN LID“ (DECKEL ÖFFNEN).
5. Die Anzeige „PREHEATING“ erlischt, sobald das Gerät die gewünschte Temperatur erreicht hat. Zu garende Zutaten in den abnehmbaren Innentopf geben.
6. Der Timer beginnt aufwärts zu zählen. Der Zyklus kann jederzeit durch Betätigung der Taste STOP / CANCEL (STOPP / ABBRUCH) pausiert werden. Zum Beenden des Zyklus Taste STOP / CANCEL 2 Sekunden lang gedrückt halten.
7. Am Ende des Sautierzyklus gibt das Gerät eine Akustikmeldung aus, die Taste STOP / CANCEL (STOPP / ABBRUCH) erlischt und die LCD-Anzeige leuchtet blau.
8. Nach 5 Minuten Inaktivität wird der Standby-Modus aktiviert. Die Tastenbeleuchtung und LCD-Anzeige erlöschen.

STEAM (DAMPFGAREN)

Die Einstellung STEAM (DAMPFGAREN) eignet sich ideal zum Dampfgaren von Gemüse, Fischfilets, Knödeln und zum Wärmen von Tellern.

1. Drehwähler START / SELECT (START / AUSWAHL) drehen, bis die Einstellung STEAM (DAMPFGAREN) angezeigt wird. Zur Bestätigung die Taste START / SELECT (START / AUSWAHL) drücken.
2. Die untere Ziffer in der LCD-Anzeige gibt die für die Einstellung STEAM voreingestellte Garzeit an. Drehwähler TIME (ZEIT) für kürzere Garzeit nach links und für längere Garzeit nach rechts drehen. Die Zeit kann auf bis zu 1 Stunde eingestellt werden.
3. Abnehmbaren Innentopf bis zur Markierung MIN mit Wasser füllen. Wasserpegel während des Dampfgarens prüfen und gegebenenfalls Wasser hinzufügen.
4. Einsatzrost in den Innentopf einlegen und den Locheinsatz darauf legen. Zum Wärmen von Tellern Teller auf den Einsatzrost legen.
5. Zutaten in den Locheinsatz legen, dabei zwischen Stücken 1 cm Abstand lassen, sodass Dampf gleichmäßig um sie herum strömen kann.
6. Schließen Sie den Deckel und rasten Sie ihn durch Drehen in die Verriegelungsposition ein.
7. Nehmen Sie das Gewicht des Abdampfventils vom Deckel ab.
8. Zum Start des Kochvorgangs die Taste START / SELECT (START/AUSWAHL) drücken. Die Taste STOP / CANCEL (STOPP / ABBRUCH) leuchtet rot und die LCD-Anzeige orange mit dem Text „PREHEATING“ (VORHEIZEN) auf.
9. Die Anzeige „PREHEATING“ erlischt, sobald das Gerät die gewünschte Temperatur erreicht hat.
10. Der Timer beginnt, bis auf maximal 45 Minuten aufwärts zu zählen. Die Zeit kann während des Dampfgarzyklus durch Drehen des Drehwählers TIME (ZEIT) nachgestellt werden. Der Zyklus kann jederzeit durch Betätigung der Taste STOP / CANCEL (STOPP / ABBRUCH) pausiert werden. Zum Beenden des Zyklus Taste STOP / CANCEL 2 Sekunden lang gedrückt halten.

11. Am Ende des Dampfgarzyklus gibt das Gerät eine Akustikmeldung aus, die Taste STOP / CANCEL (STOPP / ABBRUCH) erlischt und die LCD-Anzeige leuchtet blau.
12. Brauchen die Zutaten noch etwas länger, Wasserpegel prüfen und gegebenenfalls auffüllen.
13. Nach 5 Minuten Inaktivität wird der Standby-Modus aktiviert. Die Tastenbeleuchtung und LCD-Anzeige erlöschen.



Reinigung und Pflege

Der Innentopf, der Gerätekörper, der Deckel und alles Zubehör sollten vor jedem Gebrauch sorgfältig gereinigt werden. Vor der Reinigung prüfen, dass das Gerät ausgeschaltet ist; hierzu die Taste STOP / CANCEL (STOPP / ABBRUCH) im Bedienfeld gedrückt halten. Das Gerät ist ausgeschaltet, wenn die Taste nicht mehr leuchtet. Netzstecker aus der Steckdose abziehen, Steckverbinder des Netzkabels vom Fuß des Geräts abnehmen. Gerät und alles Zubehör vor dem Auseinandernehmen und der Reinigung völlig abkühlen lassen.

REINIGUNG DES INNENTOPFS UND DES KÖRPERS

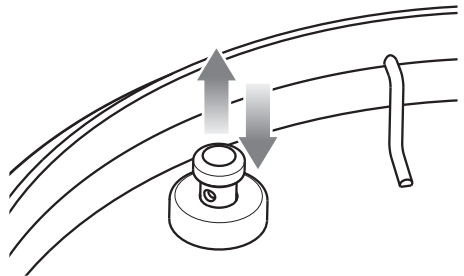
1. Der abnehmbare Innentopf ist spülmaschinenfest. Es wird jedoch empfohlen, den Innentopf in warmem Spülwasser mit einem milden Spülmittel per Hand zu waschen, um die Keramikbeschichtung zu schonen. Mit klarem Wasser spülen und gründlich trocknen.
2. Auffangrinne und Körper mit einem weichen, feuchten Schwamm abwischen. Ein nicht scheuernder Flüssigreiniger oder ein mildes Reinigungsspray können verwendet werden, um Flecken zu vermeiden. Reinigungsmittel vor der Reinigung auf den Schwamm und nicht direkt auf das Gerät auftragen.
3. Kondenswasserbehälter vorsichtig von unten aus dem Gerät ziehen. In warmem Spülwasser waschen, mit klarem Wasser spülen, gründlich trocknen und wieder einrasten lassen.
4. LCD-Anzeige mit einem weichen, feuchten Tuch abwischen. Reinigung mit einem trockenen Tuch oder scheuernden Reinigungsmitteln kann die Oberfläche verkratzen.
5. Alle Oberflächen gründlich trocknen lassen; Netzstecker erst dann wieder an eine Steckdose anschließen und Gerät einschalten.

REINIGUNG DES DECKELS

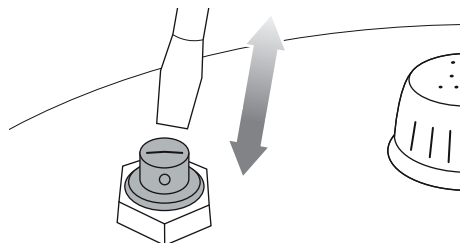
1. Abdampfventil aus dem Deckel nehmen.
2. Deckelknopf zum Anheben des Deckels erst entgegen dem Uhrzeigersinn drehen. Deckel dann anheben, bis er nach oben geklappt ist. Dichtmutter von der Deckelmitte abschrauben

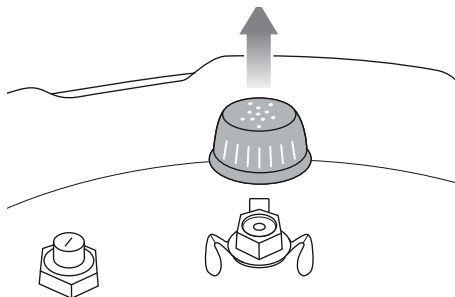
und abnehmen. Deckel aus dem Arm herausziehen.

3. Silikondichtung vorsichtig vom Drahring an der Deckelunterseite abziehen.
4. Dichtmutter und Abdampfventil mit warmem Spülwasser waschen. Mit klarem Wasser spülen und gründlich trocknen.
5. Silikondichtung und Deckel in der oberen Spülmaschinenschublade waschen. Alternativ in warmem Spülwasser waschen, mit klarem Wasser spülen und gründlich trocknen.
6. Deckel nach der Reinigung regelmäßig auf Folgendes prüfen:
 - a) Freie Beweglichkeit des Sicherheitsstifts nach oben und unten. Stets alle Öl- oder Lebensmittelrückstände aus diesem Bereich entfernen



- b) Abdampfventil und Ventilabdeckung sauber und frei von Lebensmittel- oder Flüssigkeitsrückständen halten.. Abdeckung des Abdampfventils zur Reinigung mit einer Drehbewegung vom Deckel abziehen, mit einem feuchten Spültuch abwischen, spülen und sorgfältig trocknen. Abdeckung wieder in ihrer Position einrasten lassen.





- c) Abdampfventil sauber und frei von Lebensmittel- oder Flüssigkeitsrückständen halten. Ventil zur Reinigung von innen nach außen drücken, sodass das Ventil offen auf dem Deckel sitzt. Alle Öl- oder Lebensmittelrückstände entfernen. Nach der Reinigung das Ventil auf leichtgängigen Sitz prüfen.
7. Saubere Silikondichtung wieder sicher am Drahring an der Deckelunterseite anbringen. Position gegebenenfalls korrigieren, sodass die Dichtung glatt und sicher sitzt.
 8. Deckel zum Wiederanbringen so ausrichten, dass das Gehäuse des Abdampfventils zur Rückseite des Geräts zeigt. Deckelmitte mit dem Bolzen an der Unterseite des Deckelarms ausrichten und Deckel so einschieben, dass das Gewinde sichtbar ist. Deckel mit der Dichtmutter sicher anschrauben, sodass die rote Dichtung an der Deckeloberfläche anliegt.

REINIGUNG VON LOCHEINSATZ UND EINSATZROST

1. Alles Zubehör in warmem Spülwasser mit einem weichen Kunststoff-Scheuerschwamm oder Schwamm waschen. Gründlich spülen und trocknen. Zur Reinigung von Zubehörteilen keine scheuernden Reiniger, Metall-Scheuerschwämme oder Metallutensilien verwenden, da diese die Oberflächen beschädigen könnten.
2. Für eine möglichst lange Lebensdauer der Zubehörteile wird nicht empfohlen, diese in der Spülmaschine zu waschen.



TIPP

Zur Beseitigung von Lebensmittelgerüchen 2 Tassen (500 ml) heißes Wasser, ½ Tasse (125 ml) Zitronensaft, 1 Esslöffel Zitronenschale und 1 Esslöffel Vanilleextrakt in den abnehmbaren Innentopf geben. Bei einem Druck von 80 kPa 5 Minuten lang kochen und Druck allmählich absinken lassen (Einstellung Natural).

LAGERUNG

1. Prüfen, dass das Gerät ausgeschaltet ist; hierzu die Taste STOP / CANCEL (STOPP / ABBRUCH) im Bedienfeld drücken. Das Gerät ist ausgeschaltet, wenn die Taste nicht mehr leuchtet.
2. Netzstecker aus der Steckdose ziehen. Gerät und alles Zubehör vor dem Auseinandernehmen und der Reinigung völlig abkühlen lassen.
3. Prüfen, dass das Gerät und alle Zubehörteile sauber und trocken sind.
4. Innentopf in das Gerät einlegen; Einsatzrost in den Locheinsatz und beides zusammen in den Innentopf legen.
5. Deckel schließen und verriegeln.
6. Gerät aufrecht auf seinen Füßchen stehend lagern. Nichts obenauf legen.



Problembeseitigung

PROBLEM

EINFACHE LÖSUNG

Deckel lässt sich am Ende des Garzyklus nicht öffnen

- Taste STEAM RELEASE (ABDAMPFEN) gedrückt halten, bis der Innendruck komplett abgelassen ist und sich das Gerät öffnen lässt.
- Sobald der Innendruck anhand der Taste STEAM RELEASE komplett abgelassen wurde, Abdampfventil in die offene Position weg vom Deckelknopf drehen.
- Wenn dies öfters vorkommt, muss Ihr Gerät eventuell auf Ihre Höhenlage eingestellt werden. Befolgen Sie die Anweisungen unter „Höhenanpassung“ auf Seite 12.

Die LCD-Anzeige zeigt bei offenem Deckel „Open Lid“ (Deckel öffnen) an

- Deckelknopf erst im und dann gegen den Uhrzeigersinn drehen.

Dampf entweicht aus dem Deckel

ODER

Sicherheitsstift hebt sich nicht

ODER

Gerät baut keinen Druck auf

ODER

Timer zählt nicht abwärts

- Deckel korrekt zusammensetzen, sodass zwischen dem Deckelarm und dem Edelstahldeckel kein Spalt bleibt. Die Dichtmutter sollte fest eingeschraubt sein. Schritt 5 auf Seite 10 befolgen.
- Prüfen, dass die Silikondichtung sauber, unbeschädigt, frei von Rissen und korrekt eingesetzt ist. Schritt 4 auf Seite 10 befolgen.
- Prüfen, dass der Sicherheitsstift frei nach oben und unten beweglich ist. Schritt 6a auf Seite 18 befolgen.
- Bei verriegeltem Deckel prüfen, dass der Sicherheitsstift in der Öffnung des Deckelarms korrekt ausgerichtet ist. Siehe Schritt 7, Seite 12.
- Prüfen, dass das Abdampfventil korrekt sitzt und zum Deckelknopf zeigt. Schritt 8 auf Seite 13 befolgen.
- Mehr Flüssigkeit/Lebensmittel in den Topf geben. Der Topf sollte insgesamt mindestens 1 Liter an Zutaten enthalten.
- Besteht das Problem weiter, wenden Sie sich an den Sage-Kundendienst.

Gerät schaltet automatisch in die Warmhaltefunktion, ohne den Garzyklus zu beenden

- Mehr Wasser in den Innentopf geben und Zyklus neu starten.

Auf der Arbeitsfläche sammelt sich Wasser an

- Prüfen, dass das Gerät auf einer ebenen Fläche steht und der Kondenswasserbehälter an der Rückseite des Geräts eingesetzt ist. Anweisungen zur „Vorbereitung des Fast Slow Pro™“ auf Seite 10 befolgen.
- Kondenswasserbehälter leeren.



Garantie

2 JAHRE BESCHRÄNKTE GARANTIE

Sage Appliances gibt auf dieses Produkt für den häuslichen Gebrauch in bestimmten Gebieten eine Garantie über 2 Jahre ab Kaufdatum für Mängel, die durch fehlerhafte Verarbeitung und Materialien verursacht wurden. Während dieser Garantiezeit wird Sage Appliances jedes fehlerhafte Produkt reparieren, ersetzen oder das Geld zurückerstatten (nach eigenem Ermessen von Sage Appliances).

Alle gesetzlichen Gewährleistungsrechte nach geltendem nationalem Recht werden beachtet und durch unsere Garantie nicht beeinträchtigt. Die vollständigen Garantiebestimmungen und -bedingungen sowie Hinweise zur Geltendmachung von Ansprüchen finden Sie unter www.sageappliances.com.



Anmerkungen

the Fast Slow Pro™



FR GUIDE UTILISATEUR

Sage®



Table des matières

- 2 Mesures de sécurité importantes
- 8 Composants
- 10 Informations de sécurité importantes concernant votre Fast Slow Pro™
- 12 Fonctions
- 18 Entretien et nettoyage
- 20 Dépannage
- 21 Garantie

SAGE® RECOMMANDE LA SÉCURITÉ AVANT TOUT

Chez Sage®, la sécurité est une priorité. Nous concevons et fabriquons des produits de consommation en mettant la sécurité de nos clients importants, c'est-à-dire vous, au premier plan. Nous vous demandons également de faire attention lorsque vous utilisez un appareil électrique et de respecter les consignes suivantes.

MESURES DE SÉCURITÉ IMPORTANTES

LISEZ TOUTES LES INSTRUCTIONS AVANT UTILISATION ET CONSERVEZ- LES POUR RÉFÉRENCE ULTÉRIEURE

- Une version téléchargeable de ce document est également disponible sur sageappliances.com.
- Tenez les enfants à distance de l'autocuiseur lorsqu'il est en marche.
- Ne mettez pas l'autocuiseur dans un four chauffé.
- Lorsque l'autocuiseur est sous pression, déplacez-le avec la plus grande précaution. Ne touchez pas les surfaces chaudes. Utilisez les poignées et les boutons. Si nécessaire, utilisez des protections.
- N'utilisez pas l'autocuiseur à des fins autres que son utilisation prévue.
- L'appareil cuit les aliments sous pression. Une utilisation inappropriée de l'autocuiseur peut causer des brûlures. Assurez-vous que l'autocuiseur est correctement fermé avant de le faire chauffer. Consultez les instructions de la section « Cuisson sous pression » de ce livret.
- Ne forcez jamais l'ouverture de l'autocuiseur. Ne l'ouvrez pas avant de vous être assuré que la pression interne est complètement redescendue.

Consultez les instructions de la section « Décompression » de ce livret.

- N'utilisez jamais votre autocuiseur sans ajouter d'eau, au risque de l'endommager sérieusement.
- Ne remplissez pas l'autocuiseur au-delà des $\frac{2}{3}$ de sa contenance. Lorsque vous cuisez des aliments qui gonflent pendant la cuisson, tels que du riz ou des légumes déshydratés, ne remplissez pas l'autocuiseur à plus de la moitié de sa contenance.
- La source de chaleur nécessaire pour la cuisson est comprise dans l'appareil.
- Après la cuisson de viande avec de la peau susceptible de gonfler sous l'effet de la pression (par exemple, de la langue de bœuf), ne piquez pas la viande tant que la peau est gonflée afin d'éviter tout risque de brûlure.
- Lorsque vous cuisez des aliments dont la texture est épaisse ou pâteuse, secouez doucement l'autocuiseur après la décompression. Si nécessaire, procédez à une nouvelle décompression avant d'ouvrir le couvercle pour éviter la projection de nourriture.
- Avant chaque utilisation, vérifiez que les soupapes ne sont pas obstruées. Consultez le mode d'emploi.

- N'utilisez jamais l'autocuiseur sous pression pour faire frire des aliments.
- Ne manipulez aucun des systèmes de sécurité, sauf lorsque les instructions d'entretien spécifiées dans le mode d'emploi vous le demandent.



ATTENTION

Utilisez uniquement le récipient de cuisson conçu pour cet appareil. Si vous utilisez un récipient de cuisson autre que celui fourni, vous risquez d'endommager l'appareil de façon permanente.

- Utilisez uniquement des pièces de rechange Sage® conçue pour votre modèle d'autocuiseur. En particulier, utilisez un corps et un couvercle Sage® certifiés compatibles.
- Avant une première utilisation, assurez-vous que votre alimentation électrique est identique à celle illustrée sur l'étiquette située en dessous de l'appareil. Si vous avez des questions, contactez votre fournisseur d'électricité.
- Retirez tous les emballages et toutes les étiquettes promotionnelles avant la première utilisation et éliminez-les de façon sûre.

- Pour éviter tout risque d'étouffement pour les jeunes enfants, retirez et éliminez de façon sûre la protection de la prise d'alimentation de cet appareil.
- Assurez-vous toujours que l'appareil est correctement assemblé avant utilisation. Suivez les instructions indiquées dans ce livret.
- Commencez toujours par raccorder le connecteur du cordon d'alimentation à l'appareil avant de brancher le cordon à la prise de courant et d'allumer l'appareil. Vérifiez que l'entrée de l'appareil est complètement sèche avant d'insérer le connecteur du cordon d'alimentation.
- Veillez à éviter tout déversement de liquide sur le connecteur.
- Ne touchez pas les surfaces chaudes. Les surfaces de l'appareil sont chaudes durant et après le fonctionnement. Afin d'éviter tout risque de brûlure ou de blessure, utilisez toujours des maniques ou des gants de cuisine isolants, ou servez-vous des poignées et des boutons lorsque cela est possible.
- Ne placez pas l'appareil au bord du plan de travail ou de la table pendant son utilisation. Assurez-vous que la surface est sèche, plane, propre et débarrassée de toute trace de liquide et autres substances.
- Utilisez toujours l'appareil sur une surface stable et résistante à la chaleur. N'utilisez pas l'appareil sur une surface recouverte de tissu et placez-le à une distance minimum de 20 cm des murs, rideaux, tissus et autres matériaux sensibles à la chaleur.
- Ne placez pas l'appareil sur ou près d'un brûleur électrique ou à gaz chaud, ou à un endroit où il est susceptible d'être en contact avec un four chaud.
- N'utilisez pas l'appareil sur l'égouttoir d'un évier.
- Ne placez pas l'autocuiseur sur un plan de travail en pierre durant la cuisson. Les plans de travail sont sensibles à la chaleur non uniforme et peuvent se fissurer si la chaleur est trop concentrée à un même endroit. Si vous souhaitez utiliser votre autocuiseur sur un plan de travail, placez une planche à découper ou un dessous-de-plat résistant à la chaleur sous l'appareil.
- Ne placez rien d'autre que le couvercle au-dessus de l'autocuiseur lorsqu'il est utilisé ou rangé.
- N'utilisez pas la poignée du couvercle pour transporter l'appareil.
- Avant de placer la cuve de cuisson amovible dans la base en acier inoxydable, vérifiez que

la base de la cuve et la base de l'appareil sont bien sèches en les essuyant avec un chiffon doux et sec.

- N'utilisez pas de cuve amovible endommagée. Remettez la cuve en place avant utilisation.
- Ne mettez pas de nourriture ou de liquides directement dans la base en acier inoxydable. Seule la cuve amovible est conçue pour contenir de la nourriture ou des liquides.
- Avant toute utilisation, vérifiez toujours que la soupape de décompression et la goupille de sécurité ne sont pas obstruées et nettoyez-les si nécessaire. Vérifiez que la goupille de sécurité se déplace librement sous le couvercle.
- Ne touchez pas la soupape de décompression durant l'utilisation.
- Utilisez uniquement le bouton STEAM RELEASE (Dégagement vapeur) recommandé afin de décompresser l'autocuiseur après utilisation.
- N'utilisez pas de produits abrasifs, de nettoyeurs caustiques ou de nettoyeurs four pour nettoyer cet appareil. Nettoyez régulièrement l'appareil et ses accessoires en consultant la section Entretien et nettoyage.

- Ne laissez pas l'appareil sans surveillance lorsqu'il est en marche.
- Il convient d'être très vigilant lorsque le cuiseur contient des aliments ou des liquides chauds et/ou se trouve sous pression. Une mauvaise utilisation de l'appareil peut entraîner des blessures. Pour une utilisation en mode cuisson sous pression, cuisson lente et cuisson vapeur, assurez-vous que le couvercle est correctement assemblé et verrouillé avant d'utiliser l'appareil.
- Ne déplacez pas le cuiseur en cours de fonctionnement.

MESURES DE SÉCURITÉ IMPORTANTES POUR TOUS LES APPAREILS ÉLECTRIQUES

- N'utilisez pas cet appareil s'il est usé, s'il est tombé ou s'il est endommagé de quelque manière que ce soit.
- Déroulez entièrement le cordon d'alimentation avant utilisation.
- Ne laissez pas le cordon d'alimentation pendre au bord d'un plan de travail ou d'une table, entrer en contact avec des surfaces chaudes ou se nouer.
- Branchez uniquement à une prise de courant de 220 à 240 V.
- Assurez-vous toujours que l'appareil est hors tension et débranché et que toutes les

- pièces sont froides avant de déplacer, de nettoyer ou de ranger l'appareil.
- Cet appareil peut être utilisé par des personnes aux capacités mentales, sensorielles ou physiques réduites, ou ayant peu d'expérience et de connaissances, lorsqu'elles sont sous supervision ou qu'elles ont reçu des instructions sur l'utilisation sécuritaire de l'appareil et qu'elles comprennent les risques impliqués.
 - Les enfants ne doivent pas jouer avec l'appareil.
 - Le nettoyage et l'entretien courant de l'appareil ne doivent pas être effectués par des enfants à moins qu'ils soient âgés de 8 ans ou plus, et ce, sous la surveillance d'un adulte.
 - Gardez l'appareil et son cordon hors de portée des enfants de moins de 8 ans.
 - Il est recommandé d'inspecter régulièrement l'appareil. N'utilisez pas l'appareil si le cordon d'alimentation, la prise ou l'appareil est endommagé de quelque façon que ce soit. En cas de dommages ou si un entretien autre que le nettoyage est nécessaire, contactez le service client Sage ou consultez le site sageappliances.com
 - L'utilisation d'accessoires non fabriqués ou non indiqués par Sage® peut provoquer des incendies, des chocs électriques ou des blessures.
 - Cet appareil est destiné à un usage domestique uniquement. N'utilisez pas cet appareil pour toute autre fin que son utilisation prévue. Ne l'utilisez pas sur un bateau ou dans des véhicules en mouvement. Ne l'utilisez pas à l'extérieur. Une mauvaise utilisation peut engendrer des blessures.
 - L'appareil ne doit pas être utilisé avec une minuterie externe ou un système de commande à distance séparé.
 - L'installation d'un dispositif de courant résiduel (commutateur de sécurité) est recommandée pour fournir une sécurité supplémentaire lors de l'utilisation d'appareils électriques. Il est recommandé d'installer un interrupteur de sécurité avec un courant de fonctionnement résiduel nominal ne dépassant pas 30 mA dans le circuit électrique alimentant l'appareil. Consultez un électricien pour obtenir des conseils professionnels.



Le symbole illustré indique que cet appareil ne doit pas être jeté aux ordures ménagères. Il doit être amené dans un centre de collecte de déchets des autorités locales désigné à cette fin ou à un revendeur proposant ce service. Pour en savoir plus, veuillez contacter votre municipalité.



À des fins de protection contre les décharges électriques, ne plongez pas le cordon électrique, la prise électrique ou l'appareil dans l'eau ou dans un autre liquide.

SPÉCIFICATIONS

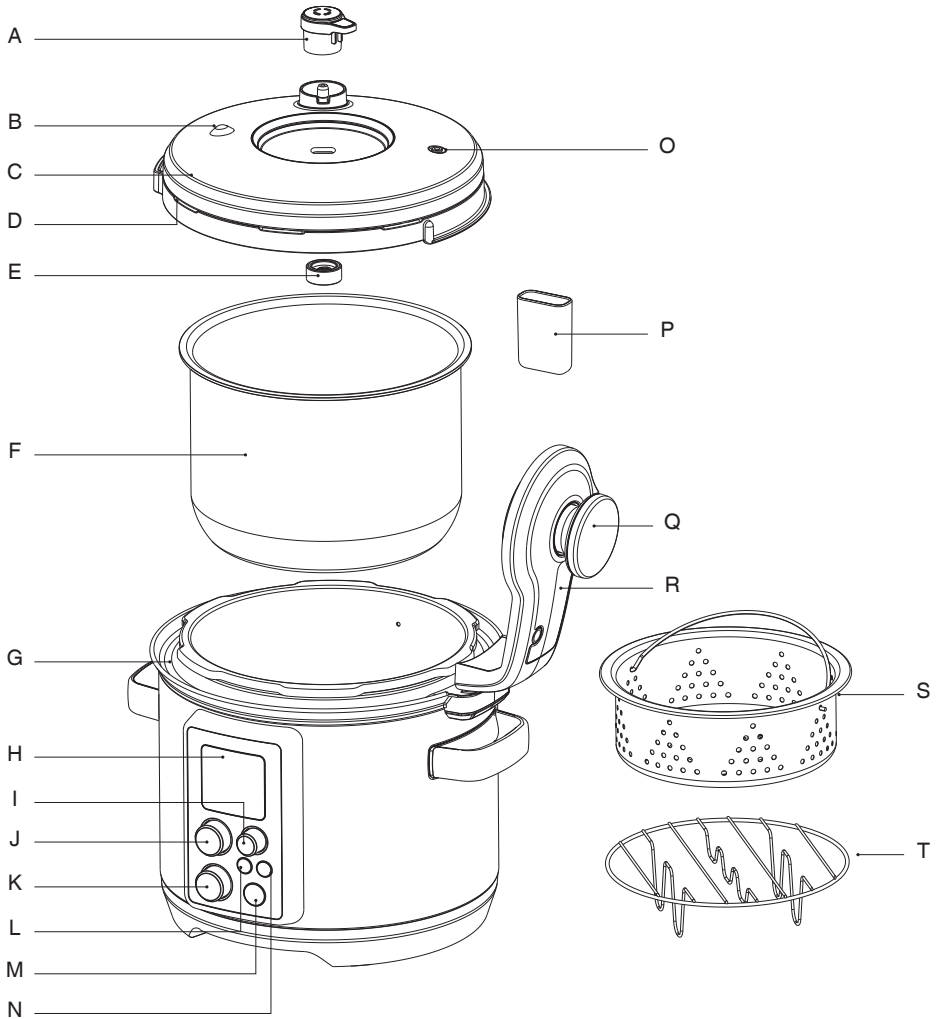
Modèle	SPR700
Volume nominal	6 litres
Volume utilisable	4 litres
Pression de fonctionnement	80 kPa

Ces spécifications sont sujettes à des modifications sans préavis.

CONSERVEZ CES INSTRUCTIONS

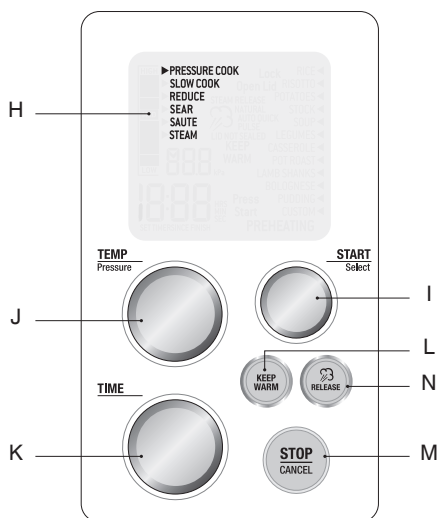


Composants



Caractéristiques nominales

220 à 240 V ~ 50 à 60 Hz 900 à 1 100 W



- | | |
|---|--|
| A. Soupape de décompression | K. Bouton Durée |
| B. Soupape de sécurité | L. Maintenir au chaud |
| C. Couvercle amovible lavable au lave-vaisselle | M. Arrêter/Annuler |
| D. Joint d'étanchéité du couvercle | N. Dégagement vapeur |
| E. Écrou d'étanchéité | O. Goupille de sécurité |
| F. Cuve de cuisson 6 L | P. Coupelle de récupération de l'eau de condensation |
| G. Interstice à nettoyage facile | Q. Bouton du couvercle |
| H. Écran LCD interactif | R. Bras du couvercle |
| I. Bouton Démarrer/Sélectionner | S. Panier vapeur en acier inoxydable |
| J. Bouton Température/Pression | T. Support en acier inoxydable |

INFORMATIONS DE SÉCURITÉ IMPORTANTES CONCERNANT VOTRE FAST SLOW PRO™

Cet appareil cuit sous pression et doit être utilisé et entretenu comme indiqué dans ce livret. Si l'appareil n'est pas utilisé et entretenu comme indiqué dans ce livret, la pression d'air piégée dans l'autocuiseur peut donner lieu à des situations dangereuses.

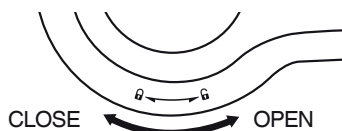
CAPACITÉ DE LA CUVE

- Assurez-vous toujours que le niveau des liquides/aliments dans la cuve amovible est correct.
- Niveau MAX : Niveau de remplissage à ne pas dépasser. Un remplissage excessif peut causer des blessures corporelles ou des dommages matériels, mais aussi compromettre la sécurité d'utilisation de l'autocuiseur.
- Niveau ½ : Niveau à ne pas dépasser lors de la cuisson d'aliments qui gonflent (légumes secs, haricots, céréales, riz, etc.) NE dépassez PAS le repère ½ de la cuve.
- Niveau MIN : Niveau de remplissage minimum de la cuve pour assurer le bon fonctionnement et éviter les risques de dommages thermiques et d'incendie.

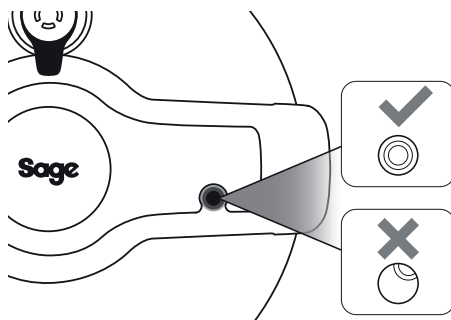
NE FORCEZ JAMAIS LA FERMETURE
DU COUVERCLE.

FERMETURE DU COUVERCLE

- Veillez à ce que le joint d'étanchéité du couvercle soit correctement inséré autour de l'anneau métallique sous le couvercle, et à ce que la goupille de sécurité se déplace librement.
- Abaissez le couvercle en position fermée. Tournez le couvercle dans le sens horaire en direction du symbole de cadenas fermé. Le couvercle doit se fermer et se verrouiller facilement et sans efforts. **NE FORCEZ PAS LA FERMETURE DU COUVERCLE.** L'autocuiseur émet un signal sonore lors du verrouillage du couvercle.



- Vérifiez toujours que la goupille de sécurité est bien alignée dans l'ouverture du bras du couvercle et qu'elle peut se déplacer librement.



REMARQUE

Si le contenu de l'autocuiseur est chaud lors de la fermeture du couvercle, il pourra être nécessaire d'enfoncer légèrement le bouton du couvercle alors que le couvercle est encore déverrouillé pour permettre la libre rotation du couvercle.

DÉGAGEMENT VAPEUR MAINS LIBRES

L'autocuiseur dispose d'une fonction de dégagement automatique et sans les mains de la vapeur, qui libère occasionnellement de la vapeur lorsque l'autocuiseur se met sous pression et qui démarre automatiquement le cycle de dégagement vapeur après la cuisson.

- Ne placez jamais les mains, les bras ou le visage au-dessus de la soupape de décompression.

En plus du dégagement vapeur mains libres automatique, il est possible de libérer la pression en appuyant sur le bouton **RELEASE** (Libérer) ou en tournant manuellement la soupape de décompression.

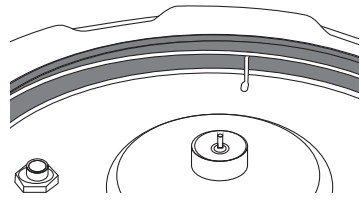
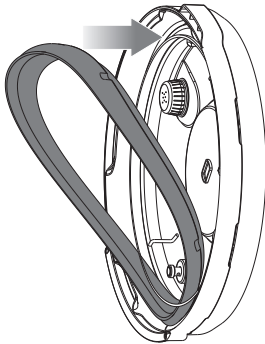
OUVERTURE DU COUVERCLE

- Tournez le couvercle dans le sens antihoraire en direction du symbole de cadenas ouvert. L'autocuiseur émet un signal sonore lors du déverrouillage du couvercle.
- Le couvercle doit s'ouvrir facilement si toute la pression interne a été libérée. Ne forcez jamais l'ouverture du couvercle.
- Si le couvercle ne se déverrouille pas, ou si vous sentez une résistance, il est possible que l'autocuiseur soit toujours sous pression. Appuyez longuement sur le bouton RELEASE (Libérer) jusqu'à la libération complète de la pression interne et l'ouverture facile du couvercle.

NE FORCEZ JAMAIS L'OUVERTURE DU COUVERCLE.

PRÉPARATION DE L'AUTOCUISEUR THE FAST SLOW PRO™

1. Retirez et éliminez de façon sûre l'emballage, les étiquettes promotionnelles et le ruban adhésif de l'autocuiseur.
2. Ouvrez le couvercle en tournant le bouton du couvercle dans le sens antihoraire et en soulevant le couvercle jusqu'à atteindre la position ouverte relevée. Dévissez et retirez l'écrou d'étanchéité au centre du couvercle, puis tirez le couvercle pour le retirer du bras.
3. Nettoyez le couvercle, la cuve amovible et le joint d'étanchéité avec de l'eau chaude savonneuse, puis rincez et séchez soigneusement. Essuyez l'intérieur et l'extérieur de la base de l'autocuiseur avec un chiffon doux et humide, et séchez soigneusement.
4. Le joint d'étanchéité du couvercle est réversible et peut être inséré dans les deux sens. Insérez le joint d'étanchéité du couvercle autour de la bordure extérieure de l'anneau métallique sous le couvercle. Veillez à ce qu'il soit complètement inséré et bien à plat sous l'anneau métallique.



5. Le couvercle ne peut être inséré que dans un sens et doit être correctement assemblé pour que l'autocuiseur fonctionne. Placez le couvercle de façon à ce que le capuchon de la soupape de dégagement vapeur se trouve à l'arrière de l'autocuiseur (Image A). Alignez le centre du couvercle avec la vis située sous le bras du couvercle (Image B) et enfoncez-le de manière à exposer le filetage de la vis. Vissez l'écrou d'étanchéité jusqu'à ce que l'anneau rouge entre en contact avec le couvercle afin de verrouiller le couvercle. Une fois assemblé, assurez-vous que la soupape de dégagement vapeur est bien en place et orientée vers le bouton du couvercle.

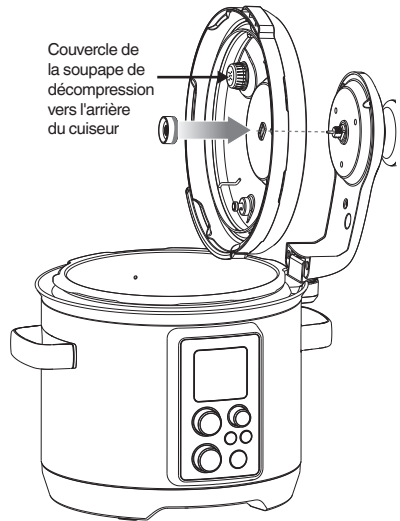
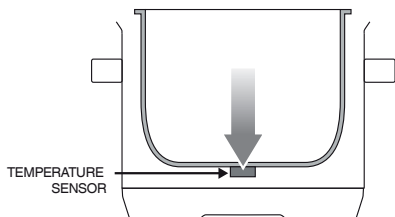


Image A

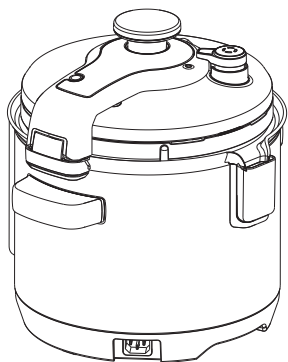
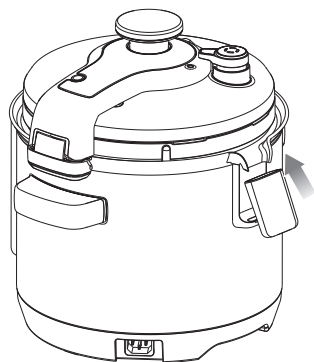


Image B

- Nettoyez et séchez le dessous de la cuve amovible et le capteur de température, en vous assurant qu'aucun matériau indésirable ne se trouve sur la surface. La cuve amovible doit être positionnée à plat sur le capteur de température pour assurer le bon contact.



- Placez la coupelle de récupération de l'eau de condensation de manière à entendre un clic.



- Insérez le connecteur du cordon d'alimentation dans la base de l'autocuiseur, en vérifiant qu'il est complètement sec. Branchez le cordon d'alimentation à une prise de courant de 220 à 240 V (avec mise à la terre).
- L'autocuiseur émet un signal sonore et l'écran LCD s'allume. Les réglages s'affichent avec un indicateur sur l'option PRESSURE COOK (Cuisson sous pression).



Fonctions

RÉGLAGES INTELLIGENTS

L'autocuiseur The Fast Slow Pro™ dispose de 6 réglages intelligents : cuisson sous pression, cuisson lente, réduction, cuisson saisie, cuisson sautée et cuisson à la vapeur. Les réglages de cuisson sous pression et de cuisson lente proposent une liste d'aliments couramment utilisés, accompagnés des niveaux de température et de pression ainsi que des temps de cuisson qui donnent les meilleurs résultats. Toutefois, nous vous conseillons d'expérimenter en fonction de la recette, de la quantité de nourriture et de vos préférences personnelles. Vous pouvez également sélectionner le réglage CUSTOM (Personnalisé) pour choisir votre propre temps de cuisson ainsi que les niveaux de température et de pression.

Votre réglage PERSONNALISÉ sera enregistré dans la mémoire de l'autocuiseur. Pour revenir aux réglages d'usine, débranchez l'autocuiseur et appuyez longuement sur le bouton START/SELECT (Démarrer/Sélectionner) tout en rebranchant l'appareil à la prise de courant.

DÉGAGEMENT VAPEUR VARIABLE MAINS LIBRES

L'autocuiseur The Fast Slow Pro™ offre 3 modes de dégagement de la vapeur :

Auto Quick (Rapide et automatique)

La pression est libérée rapidement pour éviter de trop cuire les aliments ou pour les recettes nécessitant un temps de cuisson court.

Auto Pulse (Intermittent et automatique)

La pression est libérée par à-coups pour éviter de perturber les aliments à l'intérieur.

Naturel

La pression est naturellement libérée sans utiliser l'évent de libération de vapeur pour empêcher le brassage ou la décomposition des aliments sensibles, tels que les bouillons et les haricots, lors de la décompression.

Vous pouvez sélectionner ces options en utilisant le bouton STEAM RELEASE (Dégagement vapeur) situé sur le panneau de commande lors des cycles de préparation et de dégagement vapeur.



Une fois l'option sélectionnée, la soupape de décompression libère automatiquement la vapeur à la fin du cycle de cuisson sous pression.

Appuyez longuement sur le bouton Dégagement vapeur durant ou après un cycle de cuisson pour ouvrir la soupape de décompression.



ATTENTION

Gardez toujours les mains et le visage à distance de la soupape de décompression lors de la cuisson sous pression, car de l'eau et de la vapeur chaudes peuvent être dégagées lors du fonctionnement.

RÉGLAGE DE L'ALTITUDE

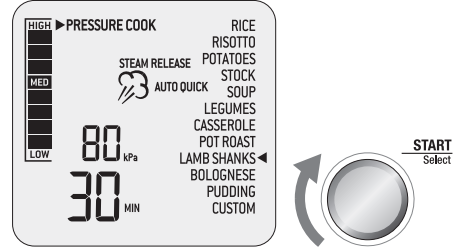
La pression augmente lorsque la température à l'intérieur de la cuve de cuisson dépasse le point d'ébullition. Plus l'altitude augmente, plus la température d'ébullition de l'eau diminue en raison de la baisse de la pression atmosphérique. Cela donne lieu à des conditions de cuisson très différentes lors de l'utilisation d'un autocuiseur.

Afin de maintenir des résultats de cuisson constants quelle que soit l'altitude, l'autocuiseur the Fast Slow Pro™ dispose d'une fonction de réglage de l'altitude qui ajuste les paramètres en fonction de l'altitude actuelle.

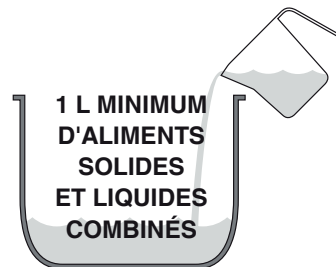
1. Pour passer en mode Réglage de l'altitude, appuyez longuement sur le bouton STOP/CANCEL (Arrêter/annuler) pour activer le mode veille. Le rétroéclairage du bouton et celui de l'écran LCD s'éteignent.
2. Une fois en mode veille, appuyez longuement sur les boutons KEEP WARM (Maintenir au chaud) et STEAM RELEASE (Dégagement vapeur) pendant 2 secondes.
3. Tournez le bouton TIME (Durée) pour entrer l'altitude actuelle. L'altitude peut être réglée de 250 à 1 999 m. L'autocuiseur ne doit pas être utilisé à des altitudes supérieures à 2 000 m.
4. Appuyez sur le bouton START/SELECT (Démarrer/Sélectionner) pour confirmer.
5. L'autocuiseur est maintenant réglé sur votre altitude actuelle. Pour revenir aux réglages d'usine, débranchez l'autocuiseur et appuyez longuement sur le bouton START/SELECT (Démarrer/Sélectionner) tout en rebranchant l'appareil à la prise de courant.

CUISSON SOUS PRESSION

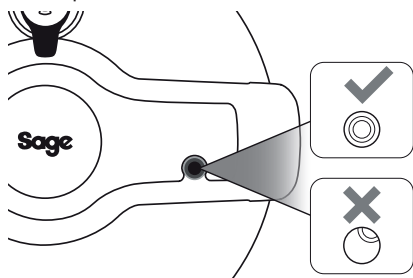
1. Tournez le bouton START/SELECT (Démarrer/Sélectionner) jusqu'à ce que l'indicateur atteigne le réglage PRESSURE COOK (Cuisson sous pression). Appuyez sur le bouton START/SELECT (Démarrer/Sélectionner) pour confirmer.
2. Tournez le bouton START/SELECT (Démarrer/Sélectionner) jusqu'à ce que l'indicateur à droite de l'écran LCD atteigne le réglage désiré.



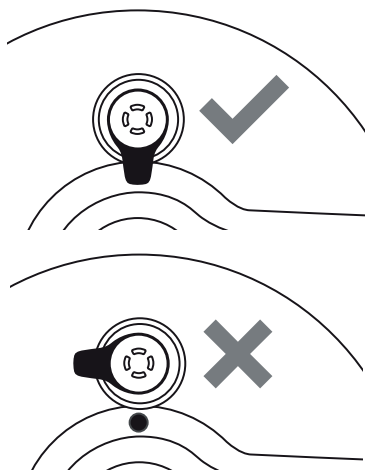
3. Le nombre en haut de l'écran LCD indique le niveau de pression prédéfini pour le réglage sélectionné. Tournez le bouton TEMPERATURE/PRESSURE (Température/Pression) vers la gauche pour réduire la pression ou vers la droite pour augmenter la pression. La pression peut être réglée de 20 kPa (FAIBLE) à 80 kPa (ÉLEVÉE).
4. Le nombre en bas de l'écran LCD indique le temps de cuisson prédéfini pour le réglage sélectionné. Tournez le bouton TIME (Durée) vers la gauche pour réduire le temps de cuisson ou vers la droite pour augmenter le temps de cuisson. Le temps de cuisson peut être réglé jusqu'à 2 heures.
5. L'icône vapeur sur l'écran LCD indique la méthode de dégagement vapeur prédéfinie pour le réglage sélectionné. Appuyez sur le bouton STEAM RELEASE (Dégagement vapeur) pour basculer entre les modes AUTO QUICK (Rapide et automatique), AUTO PULSE (Intermittent et automatique) et NATURAL (Naturel).
6. Placez les aliments dans la cuve amovible. Vérifiez que la cuve contient au moins 1 L de nourriture et de liquide au total.



- Fermez le couvercle et tournez le bouton du couvercle dans le sens horaire pour le verrouiller. L'autocuiseur émet un signal sonore lorsque le couvercle est verrouillé. Vérifiez que la goupille de sécurité est bien alignée dans l'ouverture du bras du couvercle et qu'elle peut se déplacer librement.



- Veillez à ce que la soupape de décompression se trouve sur le couvercle et soit bien positionnée en direction du bouton du couvercle.



- Appuyez sur le bouton START/SELECT (Démarrer/Sélectionner) pour commencer la cuisson. Le rétroéclairage du bouton STOP/CANCEL (Arrêter/Annuler) devient rouge et l'écran LCD devient orange. Le texte PREHEATING (Préchauffage) s'affiche et la barre de pression sur la gauche augmente pour indiquer que la pression de l'autocuiseur monte.

REMARQUE

Il est normal que l'autocuiseur libère de la vapeur par petits à-coups pour stabiliser sa pression interne.

- Si le couvercle n'est pas correctement verrouillé, LOCK LID (Verrouiller couvercle) s'affiche sur l'écran LCD. Tournez le bouton du couvercle dans le sens horaire pour verrouiller le couvercle et commencer la cuisson.
- Lorsque l'autocuiseur a atteint la pression souhaitée, le texte PREHEATING (Préchauffage) disparaît, l'autocuiseur émet un signal sonore, le compte à rebours démarre et la barre de pression indique la pression actuelle dans le réservoir.
- La durée peut être réglée durant le cycle de cuisson sous pression en tournant le bouton TIME (Durée). Il est possible d'interrompre le cycle à tout moment en appuyant sur le bouton STOP/CANCEL (Arrêter/Annuler). Pour terminer le cycle, appuyez sur le bouton STOP/CANCEL (Arrêter/Annuler) pendant 2 secondes. Si l'appareil était déjà sous pression, le cycle de dégagement vapeur démarre immédiatement.
- À la fin du cycle de cuisson sous pression, l'autocuiseur émet un signal sonore et la vapeur est automatiquement libérée par le biais de la soupape de décompression. L'icône de vapeur clignote, le minuteur démarre et la barre de pression diminue pour indiquer la pression actuelle dans le réservoir. Lorsque vous sélectionnez l'option de dégagement vapeur NATURAL (Naturel), la pression diminue naturellement dans la cuve sans forcer l'évacuation de la vapeur par la soupape de décompression. Le réglage de dégagement vapeur peut être modifié durant le cycle de dégagement vapeur en appuyant sur le bouton STEAM RELEASE (Dégagement vapeur).
- À la fin du cycle de dégagement vapeur, l'autocuiseur émet une alerte, l'écran LCD devient bleu et le minuteur démarre.
- Ouvrez le couvercle en tournant le bouton du couvercle dans le sens antihoraire et en soulevant le couvercle avec précaution jusqu'à atteindre la position ouverte relevée.
- Après 5 minutes d'inactivité, le mode veille s'active. Le rétroéclairage du bouton et celui de l'écran LCD s'éteignent.

ATTENTION

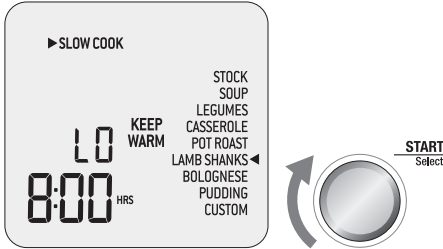
Pour éviter les brûlures dues à l'échappement de vapeur, ne placez jamais les mains ou le visage au-dessus de l'autocuiseur lors du retrait du couvercle.

REMARQUE

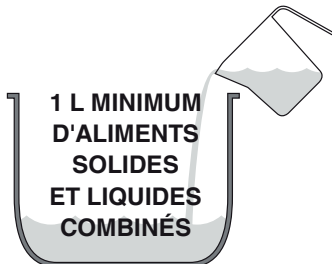
Si le couvercle ne se déverrouille pas, cela signifie que l'appareil est toujours sous pression. Ne forcez pas l'ouverture du couvercle : la pression restante peut être dangereuse. Appuyez sur le bouton STEAM RELEASE (Dégagement vapeur) jusqu'à la libération complète de la pression interne et l'ouverture facile du couvercle.

CUISSON LENTE

1. Tournez le bouton START/SELECT (Démarrer/Sélectionner) jusqu'à ce que l'indicateur atteigne le réglage SLOW COOK (Cuisson lente). Appuyez sur le bouton START/SELECT (Démarrer/Sélectionner) pour confirmer.
2. Tournez le bouton START/SELECT (Démarrer/Sélectionner) jusqu'à ce que l'indicateur à droite de l'écran LCD atteigne le réglage désiré.



3. Le nombre en haut de l'écran LCD indique la température prédéfinie pour le réglage sélectionné. Tournez le bouton TEMPERATURE/PRESSURE (Température/Pression) vers la gauche pour réduire la température. La température peut être réglée sur deux valeurs prédéfinies, LO (Faible) ou HI (Élevée).
4. Le nombre en bas de l'écran LCD indique le temps de cuisson prédéfini pour le réglage sélectionné. Tournez le bouton TIME (Durée) vers la gauche pour réduire le temps de cuisson ou vers la droite pour augmenter le temps de cuisson. La durée peut être réglée de 2 à 12 heures.
5. L'indication KEEP WARM (Maintenir au chaud) signifie que la fonction de maintien au chaud démarrera automatiquement après le cycle de cuisson lente. Appuyez sur le bouton KEEP WARM (Maintenir au chaud) sur le panneau de commande pour sélectionner ou désélectionner la fonction.
6. Placez les aliments dans la cuve amovible. Vérifiez que la cuve contient au moins 1 L de nourriture et de liquide au total.



7. Fermez le couvercle et faites-le pivoter jusqu'à la position de verrouillage.

8. Assurez-vous que le poids de la soupape de décompression repose sur le couvercle et que celle-ci soit en position fermée.
9. Appuyez sur le bouton START/SELECT (Démarrer/Sélectionner) pour commencer la cuisson. Le rétroéclairage du bouton STOP/CANCEL (Arrêter/Annuler) devient rouge et l'écran LCD devient orange.
10. Le compte à rebours s'affiche et démarre automatiquement. La durée peut être réglée durant le cycle de cuisson lente en tournant le bouton TIME (Durée). Il est possible d'interrompre le cycle à tout moment en appuyant sur le bouton STOP/CANCEL (Arrêter/Annuler). Pour terminer le cycle, appuyez sur le bouton STOP/CANCEL (Arrêter/Annuler) pendant 2 secondes.
11. À la fin du cycle de cuisson lente, l'autocuiseur démarre automatiquement la fonction Maintenir au chaud. L'écran LCD affiche le texte KEEP WARM (Maintenir au chaud) et la minuterie démarre, celle-ci pouvant aller jusqu'à 2 heures maximum. Il est possible d'interrompre le cycle de maintien au chaud à tout moment en appuyant sur le bouton STOP/CANCEL (Arrêter/Annuler).
12. Si la fonction Maintenir au chaud n'a pas été sélectionnée, l'autocuiseur émet un signal sonore, le rétroéclairage du bouton STOP/CANCEL (Arrêter/Annuler) s'éteint et l'écran LCD devient bleu.
13. Après 5 minutes d'inactivité, le mode veille s'active. Le rétroéclairage du bouton et celui de l'écran LCD s'éteignent.

RÉDUCTION

Le réglage REDUCE (Réduction) est idéal pour épaissir et donner plus de saveur aux sauces, sirops et bouillons.

1. Tournez le bouton START/SELECT (Démarrer/Sélectionner) jusqu'à ce que l'indicateur atteigne le réglage REDUCE (Réduction). Appuyez sur le bouton START/SELECT (Démarrer/Sélectionner) pour confirmer.
2. Le nombre en haut de l'écran LCD indique la température prédéfinie pour le réglage REDUCE (Réduction). Tournez le bouton TEMPERATURE/PRESSURE (Température/Pression) vers la gauche pour réduire la température ou vers la droite pour augmenter la température. La température peut être réglée sur trois valeurs prédéfinies, LO (Faible), MÉD (Moyenne) ou HI (Élevée).
3. Le nombre en bas de l'écran LCD indique le temps de cuisson prédéfini pour le réglage REDUCE (Réduction). Tournez le bouton TIME (Durée) vers la gauche pour réduire le temps de cuisson ou vers la droite pour augmenter le temps de cuisson. Le temps de cuisson peut être réglé jusqu'à 2 heures.
4. Versez le liquide à réduire dans la cuve amovible.



REMARQUE

Pour réduire la sauce de cuisson sous pression ou de cuisson lente, retirez la viande ou les légumes cuits.

Une fois que la sauce a atteint la consistance et la saveur désirées, remettez la viande et laissez chauffer quelques minutes avant de servir.

- Appuyez sur le bouton START/SELECT (Démarrer/Sélectionner) pour commencer la cuisson. Le rétroéclairage du bouton STOP/CANCEL (Arrêter/Annuler) devient rouge et l'écran LCD devient orange en indiquant PREHEATING (Préchauffage).
- Laissez le couvercle ouvert en position relevée. Si le couvercle n'a pas été ouvert, l'autocuiseur émet un signal sonore et le texte OPEN LID (Ouvrir couvercle) s'affiche à l'écran.
- Lorsque l'autocuiseur a atteint la température souhaitée, l'indication PREHEATING (Préchauffage) disparaît.
- Le compte à rebours démarre. La durée peut être réglée durant le cycle de réduction en tournant le bouton TIME (Durée). Il est possible d'interrompre le cycle à tout moment en appuyant sur le bouton STOP/CANCEL (Arrêter/Annuler). Pour terminer le cycle, appuyez sur le bouton STOP/CANCEL (Arrêter/Annuler) pendant 2 secondes.
- À la fin du cycle de réduction, l'autocuiseur émet un signal sonore, le rétroéclairage du bouton STOP/CANCEL (Arrêter/Annuler) s'éteint et l'écran LCD devient bleu.
- Après 5 minutes d'inactivité, le mode veille s'active. Le rétroéclairage du bouton et celui de l'écran LCD s'éteignent.

SAISIE

Le réglage SEAR (Saisie) est conçu pour améliorer et accentuer la saveur des aliments en les faisant caraméliser et brunir dans la cuve avant la cuisson sous pression ou la cuisson lente.

- Tournez le bouton START/SELECT (Démarrer/Sélectionner) jusqu'à ce que l'indicateur atteigne le réglage SEAR (Saisie). Appuyez sur le bouton START/SELECT (Démarrer/Sélectionner) pour confirmer.
- Le rétroéclairage du bouton STOP/CANCEL (Arrêter/Annuler) devient rouge et l'écran LCD devient orange en indiquant PREHEATING (Préchauffage).
- Laissez le couvercle ouvert en position relevée. Si le couvercle n'a pas été ouvert, l'autocuiseur émet un signal sonore et le texte OPEN LID (Ouvrir couvercle) s'affiche à l'écran.
- Lorsque l'autocuiseur a atteint la température souhaitée, l'indication PREHEATING (Préchauffage) disparaît. Placez les aliments à cuire dans la cuve amovible.

- La minuterie démarre, celle-ci pouvant atteindre 45 minutes maximum. Il est possible de mettre le cycle en pause à tout moment en appuyant sur le bouton STOP/CANCEL (Arrêter/Annuler). Pour terminer le cycle, appuyez sur le bouton STOP/CANCEL (Arrêter/Annuler) pendant 2 secondes.
- À la fin du cycle de saisie, l'autocuiseur émet un signal sonore, le rétroéclairage du bouton STOP/CANCEL (Arrêter/Annuler) s'éteint et l'écran LCD devient bleu.
- Après 5 minutes d'inactivité, le mode veille s'active. Le rétroéclairage du bouton et celui de l'écran LCD s'éteignent.

SAUTÉ

Le réglage SAUTÉ est idéal pour faire fondre et caraméliser l'ail, les oignons et les petits aliments avant la cuisson sous pression ou la cuisson lente.

- Tournez le bouton START/SELECT (Démarrer/Sélectionner) jusqu'à ce que l'indicateur atteigne le réglage SAUTÉ. Appuyez sur le bouton START/SELECT (Démarrer/Sélectionner) pour confirmer.
- Le nombre en haut de l'écran LCD indique la température prédéfinie pour le réglage SAUTÉ. Tournez le bouton TEMPERATURE/PRESSURE (Température/Pression) vers la gauche pour réduire la température ou vers la droite pour augmenter la température. La température peut être réglée sur trois valeurs prédéfinies, LO (Faible), MED (Moyenne) ou HI (Élevée).
- Appuyez sur le bouton START/SELECT (Démarrer/Sélectionner) pour commencer la cuisson. Le rétroéclairage du bouton STOP/CANCEL (Arrêter/Annuler) devient rouge et l'écran LCD devient orange en indiquant PREHEATING (Préchauffage).
- Laissez le couvercle ouvert en position relevée. Si le couvercle n'a pas été ouvert, l'autocuiseur émet un signal sonore et le texte OPEN LID (Ouvrir couvercle) s'affiche à l'écran.
- Lorsque l'autocuiseur a atteint la température souhaitée, l'indication PREHEATING (Préchauffage) disparaît. Placez les aliments à cuire dans la cuve amovible.
- La minuterie démarre. Il est possible d'interrompre le cycle à tout moment en appuyant sur le bouton STOP/CANCEL (Arrêter/Annuler). Pour terminer le cycle, appuyez sur le bouton STOP/CANCEL (Arrêter/Annuler) pendant 2 secondes.
- À la fin du cycle de cuisson sauté, l'autocuiseur émet un signal sonore, le rétroéclairage du bouton STOP/CANCEL (Arrêter/Annuler) s'éteint et l'écran LCD devient bleu.
- Après 5 minutes d'inactivité, le mode veille s'active. Le rétroéclairage du bouton et celui de l'écran LCD s'éteignent.

VAPEUR

Le réglage STEAM (Vapeur) est idéal pour cuire à la vapeur des légumes, des filets de poisson et des ravioles, mais aussi pour réchauffer des assiettes.

1. Tournez le bouton START/SELECT (Démarrer/Sélectionner) jusqu'à ce que l'indicateur atteigne le réglage STEAM (Vapeur). Appuyez sur le bouton START/SELECT (Démarrer/Sélectionner) pour confirmer.
2. Le nombre en bas de l'écran LCD indique le temps de cuisson prédéfini pour le réglage STEAM (Vapeur). Tournez le bouton TIME (Durée) vers la gauche pour réduire le temps de cuisson ou vers la droite pour augmenter le temps de cuisson. La durée peut être réglée jusqu'à 1 heure.
3. Versez de l'eau dans la cuve amovible jusqu'à atteindre le niveau minimum. Durant la cuisson vapeur, vérifiez le niveau d'eau et ajoutez de l'eau si nécessaire.
4. Insérez le support dans la cuve et placez le panier vapeur au-dessus. Pour réchauffer des assiettes, placez l'assiette au-dessus du support.
5. Placez les aliments sur le panier vapeur en laissant un espace de 1 cm entre les aliments pour permettre à la vapeur de circuler uniformément sur tous les côtés.
6. Fermez le couvercle et faites-le pivoter jusqu'à la position de verrouillage.
7. Libérez le couvercle du poids de la soupape de dégagement vapeur.
8. Appuyez sur le bouton START/SELECT (Démarrer/Sélectionner) pour commencer la cuisson. Le rétroéclairage du bouton STOP/CANCEL (Arrêter/Annuler) devient rouge et l'écran LCD devient orange en indiquant PREHEATING (Préchauffage).
9. Lorsque l'autocuiseur a atteint la température souhaitée, l'indication PREHEATING (Préchauffage) disparaît.
10. La minuterie démarre, celle-ci pouvant atteindre 45 minutes maximum. La durée peut être réglée durant le cycle de cuisson vapeur en tournant le bouton TIME (Durée). Il est possible d'interrompre le cycle à tout moment en appuyant sur le bouton STOP/CANCEL (Arrêter/Annuler). Pour terminer le cycle, appuyez sur le bouton STOP/CANCEL (Arrêter/Annuler) pendant 2 secondes.
11. À la fin du cycle de cuisson vapeur, l'autocuiseur émet un signal sonore, le rétroéclairage du bouton STOP/CANCEL (Arrêter/Annuler) s'éteint et l'écran LCD devient bleu.
12. Si vous souhaitez prolonger la cuisson vapeur, vérifiez le niveau d'eau et ajoutez-en si nécessaire.
13. Après 5 minutes d'inactivité, le mode veille s'active. Le rétroéclairage du bouton et celui de l'écran LCD s'éteignent.



Entretien et nettoyage

La cuve, le corps extérieur, le couvercle et les accessoires doivent être entièrement lavés avant chaque utilisation.

Avant le nettoyage, veuillez à éteindre l'autocuiseur en appuyant longuement sur le bouton STOP/ CANCEL (Annuler/Arrêter) du panneau de commande. L'autocuiseur est hors tension lorsque le rétroéclairage du bouton est éteint.

Débranchez le cordon d'alimentation de la prise secteur et retirez le connecteur de la base de l'autocuiseur. Laissez l'autocuiseur et tous les accessoires refroidir complètement avant de les désassembler et de les nettoyer.

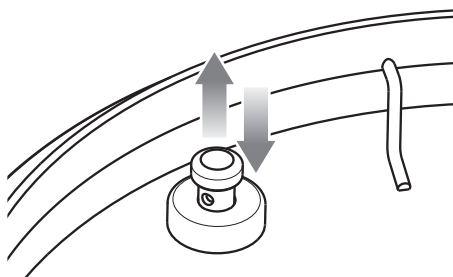
NETTOYAGE DE LA CUVE ET DU CORPS EXTÉRIEUR

1. La cuve amovible peut être mise au lave-vaisselle. En revanche, pour protéger le revêtement en céramique, il est recommandé de laver la cuve avec de l'eau savonneuse tiède et un détergent domestique doux. Rincez à l'eau propre et séchez soigneusement.
2. Essuyez les interstices et le corps extérieur avec une éponge douce et humide. Vous pouvez utiliser un nettoyant liquide non abrasif ou une solution à pulvériser douce pour éviter les accumulations de taches. Appliquez le nettoyant sur l'éponge, et non sur la surface de l'autocuiseur, avant de nettoyer.
3. Retirez la coupelle de récupération de l'eau de condensation en tirant doucement sur le fond pour la séparer du corps. Nettoyez la coupelle avec de l'eau savonneuse tiède, rincez-la à l'eau propre, séchez-la soigneusement et remettez-la en place jusqu'à entendre un clic.
4. Essuyez l'écran LCD avec un chiffon doux et humide. L'utilisation d'un chiffon doux ou de nettoyants abrasifs risquerait de rayer la surface.
5. Laissez toutes les surfaces sécher complètement avant de brancher le cordon d'alimentation à la prise de courant et de mettre l'appareil sous tension.

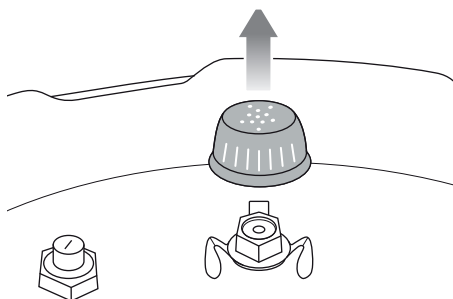
NETTOYAGE DU COUVERCLE

1. Retirez la soupape de décompression du couvercle.
2. Ouvrez le couvercle en tournant le bouton du couvercle dans le sens antihoraire et en soulevant le couvercle jusqu'à atteindre la position ouverte relevée. Dévissez et retirez l'écrou d'étanchéité au centre du couvercle, puis tirez le couvercle pour le retirer du bras.

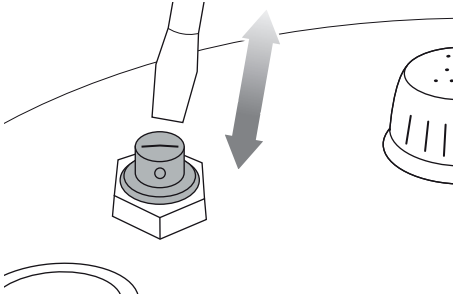
3. Tirez doucement sur le joint d'étanchéité du couvercle pour le retirer de l'anneau métallique sous le couvercle.
4. Nettoyez l'écrou d'étanchéité et la soupape de décompression avec de l'eau savonneuse tiède. Rincez à l'eau propre et séchez soigneusement.
5. Nettoyez le joint d'étanchéité et le couvercle en le mettant dans le panier supérieur du lave-vaisselle. Vous pouvez également les nettoyer avec de l'eau savonneuse tiède, les rincer à l'eau propre et les sécher soigneusement.
6. Après le nettoyage du couvercle, inspectez régulièrement et vérifiez que :
 - a) La goupille de sécurité se déplace librement vers le haut et vers le bas. Éliminez toujours les résidus d'huile ou de nourriture restants sur cette zone.



- b) La soupape de décompression et le couvercle sont propres et exempts de nourriture ou de liquides. Pour nettoyer, tournez et tirez le capuchon de la soupape de décompression du couvercle, essuyez avec un chiffon et du savon, puis rincez et séchez soigneusement. Remettez en place le capuchon de façon à entendre un clic.



- c) La soupape de décompression est propre et exempte de nourriture ou de liquides. Pour nettoyer, poussez la soupape de l'intérieur de façon à ce qu'elle s'ouvre sur le couvercle et éliminez tous les résidus d'huile ou de nourriture. Assurez-vous que la soupape se déplace librement vers l'intérieur et l'extérieur après le nettoyage.



7. Remettez bien en place le joint d'étanchéité propre en l'insérant autour de l'anneau métallique sous le couvercle. Ajustez le joint si nécessaire de façon à ce qu'il soit bien positionné sans aucune déformation.
8. Pour remettre le couvercle en place, orientez le couvercle de manière à ce que la soupape de dégagement vapeur se trouve à l'arrière de l'unité. Ensuite, alignez le centre du couvercle avec la vis située sous le bras du couvercle et enfoncez-le de manière à exposer le filetage de la vis. Fixez le couvercle en vissant l'écrou d'étanchéité jusqu'à ce que le joint rouge entre en contact avec la surface du couvercle.

NETTOYAGE DU PANIER VAPEUR ET DU SUPPORT

1. Lavez tous les accessoires avec de l'eau savonneuse tiède et une éponge douce ou un chiffon à récurer en plastique doux. Rincez et séchez soigneusement. N'utilisez pas de nettoyants abrasifs, de chiffons à récurer métalliques ou d'ustensiles métalliques pour laver les accessoires, au risque d'endommager les surfaces.
2. Pour prolonger la durée de vie de vos accessoires, nous vous déconseillons de les mettre au lave-vaisselle.



ASTUCE

Pour éliminer les odeurs de nourriture, mélangez 2 tasses (500 ml) d'eau chaude, ½ tasse (125 ml) de jus de citron, 1 cuillère à soupe d'écorce de citron et 1 cuillère à soupe d'extrait de vanille dans la cuve amovible. Faites cuire sous pression à 80 kPa pendant 5 minutes avec dégagement vapeur naturel.

RANGEMENT

1. Veillez à éteindre l'autocuiseur en appuyant sur le bouton STOP/CANCEL (Arrêter/Annuler) du panneau de commande. L'autocuiseur est hors tension lorsque le rétroéclairage du bouton est éteint.
2. Débranchez le cordon d'alimentation de la prise secteur. Laissez l'autocuiseur et tous les accessoires refroidir complètement avant de les désassembler et de les nettoyer.
3. Assurez-vous que l'autocuiseur et tous les accessoires sont propres et secs.
4. Assurez-vous que la cuve est insérée dans l'autocuiseur, le support dans le panier vapeur et le tout dans la cuve.
5. Veillez à ce que le couvercle soit fermé et en position verrouillée.
6. Rangez l'appareil en position debout, à plat sur ses pieds de support. Ne rangez rien au-dessus.



Dépannage

PROBLÈME

Il est impossible d'ouvrir le couvercle à la fin du cycle de cuisson

SOLUTION FACILE

- Appuyez sur le bouton STEAM RELEASE (Dégagement vapeur) jusqu'à la libération complète de la pression interne et l'ouverture de l'autocuiseur.
- Une fois la pression interne entièrement libérée à l'aide du bouton de dégagement vapeur, mettez la soupape de décompression en position ouverte en l'orientant vers l'opposée du bouton du couvercle.
- Si ce problème se produit fréquemment, il est possible que le réglage de l'altitude sur votre autocuiseur doive être modifié pour correspondre à votre altitude actuelle. Suivez les instructions de « Réglage de l'altitude » à la page 12.

« Open Lid » (Ouvrir le couvercle) s'affiche sur l'écran LCD lorsque le couvercle est ouvert

- Tournez le bouton du couvercle dans le sens horaire puis antihoraire.

De la vapeur s'échappe du couvercle

OU

La goupille de sécurité ne se relève pas

OU

L'autocuiseur n'atteint pas la pression souhaitée

OU

Le compte à rebours ne démarre pas

- Assemblez correctement le couvercle de manière à ne pas laisser d'espace entre le bras du couvercle et le couvercle en acier inoxydable. L'écrou d'étanchéité doit être suffisamment serré. Suivez l'étape 5 à la page 10.
- Vérifiez que le joint d'étanchéité du couvercle est propre, exempt de dommages ou de fissures et correctement inséré. Suivez l'étape 4 à la page 10.
- Vérifiez que la goupille de sécurité se déplace librement vers le haut et vers le bas. Suivez l'étape 6a à la page 17.
- Lorsque le couvercle est verrouillé, vérifiez que la goupille de sécurité est bien alignée dans l'ouverture du bras du couvercle. Consultez l'étape 7 à la page 13.
- Veillez à ce que la soupape de décompression soit bien positionnée et orientée vers le bouton du couvercle. Suivez l'étape 8 à la page 13.
- Ajoutez davantage de liquides ou d'aliments dans la cuve. La cuve doit contenir au moins 1 litre d'aliments et de liquides.
- Si le problème persiste, appelez le service client Sage.

L'autocuiseur passe automatiquement en mode Maintenir au chaud sans terminer le cycle de cuisson complet

- Ajoutez davantage d'eau dans la cuve et redémarrez le cycle.

Il y a une accumulation d'eau sur le plan de travail

- Vérifiez que l'autocuiseur se trouve sur une surface plane et que la coupelle de récupération de l'eau de condensation est bien installée à l'arrière de l'autocuiseur. Suivez les instructions « Préparation de l'autocuiseur the Fast Slow Pro™ » à la page 10.
- Videz la coupelle de récupération de l'eau de condensation.



Garantie

GARANTIE LIMITÉE 2 ANS

Sage Appliances garantit ce produit pour un usage domestique sur les territoires spécifiés pendant 2 ans à compter de la date d'achat, contre les défauts de fabrication et de matériaux. Au cours de cette période de garantie, Sage Appliances s'engage à réparer, remplacer ou rembourser tout produit défectueux (à sa seule discrétion).

Tous les droits de garantie légaux en vertu de la législation nationale applicable seront respectés et ne seront pas compromis par notre garantie. Pour connaître les conditions générales complètes relatives à la garantie ou pour obtenir des instructions sur la manière de déposer une réclamation, rendez-vous sur www.sageappliances.com.

Déclaration à l'intention du consommateur

SAGE FRANCE - GARANTIE LIMITÉE

Sage Appliances garantit ce produit pour un usage domestique sur les territoires spécifiés pendant 2 ans à compter de la date d'achat initiale du produit contre les défauts de fabrication et de matériaux. La période de garantie peut-être supérieure pour certains produits ou pour certaines pièces de produits. Au cours de cette période de garantie, Sage Appliances s'engage à réparer, remplacer ou rembourser tout produit défectueux (à sa seule discrétion).

Tous les droits de garantie légaux en vertu de la législation nationale applicable seront respectés et ne seront pas compromis par notre garantie. Pour connaître les conditions générales complètes relatives à la garantie ou pour obtenir des instructions sur la manière de déposer une réclamation, rendez-vous sur www.sageappliances.com.

Les dispositions de la présente garantie ne sont pas exclusives du bénéfice, au profit de l'acheteur, de la garantie légale de conformité prévue par les articles L. 217-4 et suivants du Code de la consommation, ainsi que de la garantie des vices cachés prévue par les articles 1641 et suivants du Code civil, qui sont en tout état de cause applicables et ce même en l'absence d'application ou en cas d'exclusion de la garantie conventionnelle.

Lorsqu'il agit en garantie légale de conformité, le consommateur :

- bénéficie d'un délai de deux ans à compter de la délivrance du bien pour agir ;
- peut choisir entre la réparation ou le remplacement du bien, sous réserve des conditions de coût prévues par l'article L. 217-9 du code de la consommation ;
- est dispensé de rapporter la preuve de l'existence du défaut de conformité du bien durant les vingt-quatre mois suivant la délivrance du bien.

La garantie légale de conformité s'applique indépendamment de la garantie commerciale éventuellement consentie.

Le consommateur peut décider de mettre en œuvre la garantie contre les défauts cachés de la chose vendue au sens de l'article 1641 du Code civil ; dans cette hypothèse, il peut choisir entre la résolution de la vente ou une réduction du prix de vente conformément à l'article 1644 du Code civil.

Article L. 217-4 du Code de la consommation :

« Le vendeur livre un bien conforme au contrat et répond des défauts de conformité existant lors de la délivrance. Il répond également des défauts de conformité résultant de l'emballage, des instructions de montage ou de l'installation lorsque celle-ci a été mise à sa charge par le contrat ou a été réalisée sous sa responsabilité. »

Article L. 217-5 du Code de la consommation :

« Le bien est conforme au contrat : 1° S'il est propre à l'usage habituellement attendu d'un bien semblable et, le cas échéant :

- s'il correspond à la description donnée par le vendeur et possède les qualités que celui-ci a présentées à l'acheteur sous forme d'échantillon ou de modèle ;
- s'il présente les qualités qu'un acheteur peut légitimement attendre eu égard aux déclarations publiques faites par le vendeur, par le producteur ou par son représentant, notamment dans la publicité ou l'étiquetage;

2° Ou s'il présente les caractéristiques définies d'un commun accord par les parties ou est propre à tout usage spécial recherché par l'acheteur, porté à la connaissance du vendeur et que ce dernier a accepté. »

Article L 217-12 du Code de la consommation :

« L'action résultant du défaut de conformité se prescrit par deux ans à compter de la délivrance du bien. »

Article L 217-16 du Code de la consommation :

« Lorsque l'acheteur demande au vendeur, pendant le cours de la garantie commerciale qui lui a été consentie lors de l'acquisition ou de la réparation d'un bien meuble, une remise en état couverte par la garantie, toute période d'immobilisation d'au moins sept jours vient s'ajouter à la durée de la garantie qui restait à courir. Cette période court à compter de la demande d'intervention de l'acheteur ou de la mise à disposition pour réparation du bien en cause, si cette mise à disposition est postérieure à la demande d'intervention. »

Article 1641 du Code de la consommation :

« Le vendeur est tenu de la garantie à raison des défauts cachés de la chose vendue qui la rendent impropre à l'usage auquel on la destine, ou qui diminuent tellement cet usage que l'acheteur ne l'aurait pas acquise, ou n'en aurait donné qu'un moindre prix, s'il les avait connus. »

Article 1648, al.1er du Code civil :

« L'action résultant des vices rédhibitoires doit être intentée par l'acquéreur dans un délai de deux ans à compter de la découverte du vice. »



the Fast Slow Pro™



NL HANDLEIDING

Sage®



Inhoud

- 2 Belangrijke veiligheidsmaatregelen
- 7 Onderdelen
- 9 Belangrijke veiligheidsinformatie over uw Fast Slow Pro™
- 11 Functies
- 17 Onderhoud en reiniging
- 19 Problemen oplossen
- 20 Garantie

SAGE® STELT VEILIGHEID VOOROP

Bij Sage® gaan we zeer veiligheidsbewust te werk. Bij het ontwerpen en produceren van onze consumentenproducten staat de veiligheid van onze gewaardeerde klanten voorop. Daarnaast vragen wij u voorzichtig om te gaan met elektrische apparaten en de volgende voorzorgsmaatregelen in acht te nemen.

BELANGRIJKE VEILIGHEIDS- MAATREGELEN

**LEES ALLE INSTRUCTIES
VÓÓR GEBRUIK EN BEWAAR
DEZE VOOR TOEKOMSTIGE
NASLAG**

- Een downloadbare versie van dit document is ook beschikbaar op sageappliances.com
- Houd kinderen uit de buurt wanneer de snelkookpan in werking is.
- Plaats de snelkookpan niet in een verwarmde oven.
- Verplaats de snelkookpan altijd met de nodige voorzichtigheid. Raak geen hete oppervlakken aan. Gebruik de handvaten en knoppen. Gebruik, indien nodig, bescherming.
- Gebruik de snelkookpan niet op een andere manier dan het beoogde gebruik.
- Dit apparaat kookt onder een hoge druk. Verbranding kan het resultaat zijn van onjuist gebruik van de snelkookpan. Zorg ervoor dat de pan op gepaste wijze is afgesloten alvorens u hitte toelaat. Raadpleeg de instructies "Koken met druk" in deze handleiding.
- Forceer de snelkookpan nooit open. Zorg ervoor dat u de pan nooit opent alvorens de interne druk volledig is afgenomen. Raadpleeg de instructies "Stoomvrijgave" in deze handleiding.
- Gebruik uw snelkookpan nooit zonder toevoeging van water, want dit zou ernstige schade veroorzaken.

- Vul de pan nooit meer dan $\frac{2}{3}$ van zijn capaciteit. Wanneer u voedsel kookt dat uitzet tijdens het kookproces, zoals rijst of gedroogde groenten, vul dan de pan niet meer dan de helft van zijn capaciteit.
- De hittebron nodig voor het kookproces is meegeleverd met dit apparaat.
- Na het koken van vlees met vel (bv. ossetong) wat kan opzwellen als gevolg van de druk, doorprik het vlees niet wanneer het vel nog opgezwollen is; want u zou zich kunnen verbranden.
- Wanneer u voedsel kookt dat een consistente of deegachtige structuur heeft, schud dan de pan zachtjes na de stoomvrijgave. Laat daarna, indien nodig, opnieuw stoom af voordat u het deksel opent om wegspatten van voedsel te voorkomen.
- Controleer, voor elk gebruik, dat de ventielen niet geblokkeerd zijn. Raadpleeg de instructies voor gebruik.
- Gebruik de snelkookpan nooit onder druk voor het frituren, licht of bruin, van voedsel.
- Manipuleer nooit de veiligheidssystemen op een manier dat verder gaat dan de onderhoudsinstructies die vermeld worden in de gebruiksinstructies.



LET OP

Gebruik alleen de kookpan die voor dit apparaat is bedoeld; het gebruik van kookpannen die niet bij dit toestel zijn geleverd, leidt tot een probleem dat niet kan worden verholpen door het apparaat te resetten.

- Gebruik alleen Sage® reserveonderdelen die overeenkomen met het betreffende model. Meer specifiek, gebruik een behuizing en deksel van Sage® die als compatibel worden aangegeven.
- Controleer voor het eerste gebruik of uw elektriciteitsvoorziening dezelfde is als die op het typeplaatje aan de onderkant van het apparaat. Als u zich zorgen maakt, neem dan contact op met uw plaatselijke elektriciteitsbedrijf.
- Verwijder voor het eerste gebruik het verpakkingsmateriaal en gooi het op een veilige manier weg.
- Gooi het beschermkapje op de stekker op een veilige manier weg om verstikkingsgevaar bij jonge kinderen te voorkomen.
- Controleer vóór gebruik altijd of het apparaat op de juiste manier in elkaar is gezet. Volg de instructies in deze handleiding.

- Steek altijd eerst de verbinding van het netsnoer in het apparaat alvorens u de stekker in het stopcontact steekt. Zorg ervoor dat de toevoer van het apparaat volledig droog is alvorens u de verbinding maakt met het netsnoer.
- Zorg ervoor dat er niets gelekt wordt op het verbindingseinde.
- Raak geen hete oppervlakken aan. De oppervlakken van het apparaat zijn heet tijdens en na het gebruik. Gebruik altijd beschermende of geïsoleerde ovenlappen of -wanten of gebruik de handvaten of knoppen wanneer beschikbaar om brandwonden of persoonlijk letsel te vermijden.
- Plaats het apparaat niet aan de rand van een bank of tafel tijdens het gebruik. Zorg ervoor dat het oppervlak droog, vlak en schoon is en vrij van vloeistof of andere vloeibare substanties.
- Gebruik het apparaat uitsluitend op een stabiel en hittebestendig oppervlak. Gebruik niet op een oppervlak bedekt door een doek en plaats het apparaat op een afstand van minimum 20 cm van muren, gordijnen, kledij en andere hittegevoelige materialen.
- Plaats dit apparaat niet op of in de buurt van een hete gasbrander, elektrisch element of op een plek waar het apparaat in contact zou kunnen komen met een verwarmde oven.
- Gebruik het apparaat niet op het afdruipegedeelte van een gootsteen.
- Plaats de pan niet op een stenen bankoppervlak tijdens het koken. De reden hiervoor is dat bankoppervlakken gevoelig kunnen zijn aan ongelijke warmtebronnen en kunnen barsten wanneer op één plek verwarmd wordt. Indien u wenst te koken met het apparaat op een bankoppervlak, plaats dan een snijplank of een hittebestendige mat onder het apparaat.
- Plaats niets anders dan het deksel op de pan wanneer deze gemonteerd, in gebruik of opgeborgen is.
- Gebruik het handvat niet om het apparaat te dragen.
- Zorg ervoor dat de basis van de pan en de basis van het apparaat droog geveegd zijn met een droge, zachte doek voordat u een uitneembare kookpan in de basis van roestvrij staal plaatst.
- Gebruik geen uitneembare kookpan die beschadigd is. Vervang deze voor gebruik.
- Plaats geen voedsel of vloeistof rechtstreeks op de basis uit roestvrij staal. Enkel de uitneembare kookpan is geschikt voor voedsel of vloeistof.

- Controleer altijd, voor elk gebruik, het ventiel voor drukvrijgave en de veiligheidsvergrendeling voor obstructies en maak deze schoon indien nodig. Controleer dat de veiligheidsvergrendeling vrij kan bewegen onder het deksel.
- Raak het ventiel voor drukvrijgave niet aan tijdens gebruik.
- Gebruik enkel de aanbevolen **STOOMVRIJGAVE** om de pan drukloos te maken na gebruik.
- Gebruik geen agressieve, bijtende schoonmaakmiddelen of ovenreinigers wanneer u dit apparaat reinigt. Houd het apparaat schoon en raadpleeg de sectie over onderhoud en reiniging.
- Laat het apparaat niet onbeheerd achter tijdens gebruik.
- Wees uiterst voorzichtig wanneer de kookpan hete etenswaren en vloeistoffen bevat en/of onder druk staat. Verkeerd gebruik kan tot letsel leiden. Wanneer u dit apparaat gebruikt voor snelkoken, slowcooking en stomen, moet u vóór gebruik controleren of het deksel goed gemonteerd en vergrendeld is.
- Verplaats het apparaat niet tijdens het koken.

BELANGRIJKE VEILIGHEIDSMATREGELLEN VOOR ALLE ELEKTRISCHE APPARATEN

- Gebruik het apparaat niet wanneer dit versleten is, gevallen is of beschadigd werd op een andere manier.
- Wikkel het netsnoer volledig af voordat u het apparaat gebruikt.
- Zorg dat het netsnoer niet over de rand van een aanrecht of tafel hangt, in aanraking komt met hete oppervlakken of in de knoop raakt.
- Sluit het netsnoer uitsluitend aan op een stopcontact van 220 - 240 V.
- Zet het apparaat altijd **UIT**, haal de stekker uit het stopcontact en laat alle onderdelen afkoelen alvorens u het apparaat verplaatst; wanneer het apparaat niet in gebruik is; voordat u het reinigt en wanneer u het opbergt.
- Het apparaat mag alleen worden gebruikt door kinderen van 8 jaar of ouder en personen met beperkte fysieke, zintuiglijke of mentale capaciteiten of een gebrek aan ervaring en kennis, als zij worden begeleid of instructies hebben gekregen over het veilige gebruik van het apparaat en de gevaren ervan begrijpen.
- Kinderen mogen niet met het apparaat spelen.
- Kinderen mogen het apparaat niet reinigen of onderhouden

tenzij zij ouder zijn dan 8 jaar en begeleid worden.

- Houd het apparaat en het snoer buiten het bereik van kinderen jonger dan 8 jaar.
- Het wordt aanbevolen om het apparaat regelmatig te inspecteren. Gebruik het apparaat niet als het netsnoer, de stekker of het apparaat op enigerlei wijze beschadigd is. Als er sprake is van schade of er ander onderhoud dan reiniging is vereist, neem dan contact op met de klantenservice van Sage of ga naar sageappliances.com
- Het gebruik van accessoires die niet door Sage® zijn verkocht of aangeraden, kan risico op brand, elektrische schokken of letsel met zich meebrengen.
- Dit apparaat is alleen voor huishoudelijk gebruik. Gebruik het apparaat alleen voor het beoogde gebruik. Gebruik het niet in bewegende voertuigen of boten. Gebruik het niet buitenshuis. Verkeerd gebruik kan tot letsel leiden.
- Dit apparaat is niet ontworpen om te worden bediend met behulp van een externe timer of een afzonderlijk afstandsbedieningssysteem.
- Het wordt aanbevolen een aardlekschakelaar (veiligheidsschakelaar)

te installeren voor extra veiligheidsbescherming bij het gebruik van alle elektrische apparaten. Het is raadzaam om een veiligheidsschakelaar met een aardlekstroom van niet meer dan 30mA te installeren in het elektrische circuit dat het apparaat voedt. Raadpleeg uw elektricien voor professioneel advies.



Het weergegeven symbool geeft aan dat dit apparaat niet met het normale huishoudelijk afval mag worden weggegooid. Het moet naar een geschikt plaatselijk afvalverwerkingscentrum worden gebracht of naar een provider die deze service biedt. Neem voor meer informatie contact op met uw gemeente.



Dompel het netsnoer, de stekker of het apparaat niet onder in water of een andere vloeistof om elektrische schokken te vermijden.

SPECIFICATIE

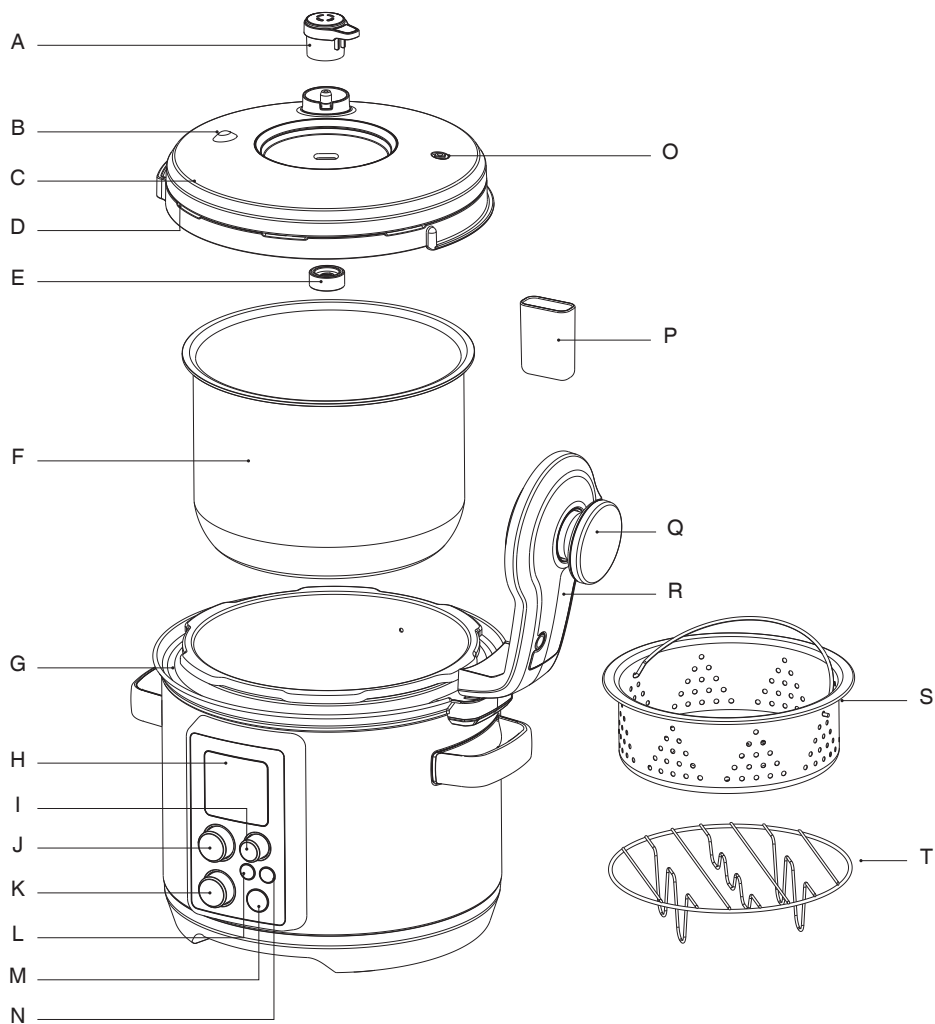
Model	SPR700
Geschat volume	6 liter
Bruikbaar volume	4 liter
Werkzame druk	80 kPa

Deze specificaties kunnen wijzigen zonder kennisgeving.

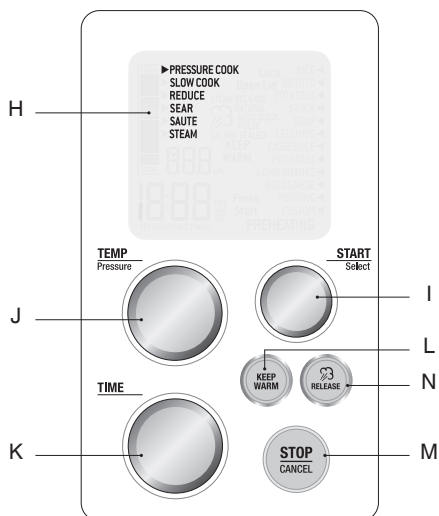
BEWAAR DEZE INSTRUCTIES



Onderdelen



Classificatiegegevens
220-240V ~50-60 Hz 900-1100W



- | | |
|---|---------------------------------|
| A. Ventiel voor drukvrijgave | K. Tijdsduur-draaiknop |
| B. Ventiel voor drukveiligheid | L. Houd warm |
| C. Vaatwasmachinebestendig, afneembaar deksel | M. Stop/Annuleer |
| D. Silicone dekselvergrendeling | N. Stoomvrijgave |
| E. Afdichtingsmoer | O. Veiligheidsvergrendeling |
| F. 6L Kookpan | P. Opvangbakje voor condensatie |
| G. Onderhoudsvriendelijke behuizing | Q. Dekselknop |
| H. Interactieve LCD | R. Dekselsteel |
| I. Start/Selecteer-draaiknop | S. Roestvrij stoommandje |
| J. Temperatuur/druk-draaiknop | T. Roestvrije onderzetter |

BELANGRIJKE VEILIGHEIDSINFORMATIE OVER UW FAST SLOW PRO™

Dit apparaat kookt onder druk en moet bediend en onderhouden worden zoals omschreven in deze handleiding. De ingesloten luchtdruk in de snelkookpan kan een gevaarlijke situatie creëren wanneer deze niet bediend en onderhouden wordt zoals omschreven in deze handleiding.

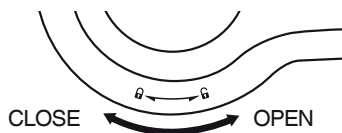
CAPACITEIT KOOKPAN

- Respecteer altijd de indicaties voor vloeistof/voedsel van de uitneembare kookpan.
- 'MAX'-niveau: het maximale vulniveau mag niet overschreden worden. Overvullen kan persoonlijk letsel veroorzaken, schade aan eigendom of een effect hebben op het veilige gebruik van de snekkookpan.
- '½'-niveau: voor voedsel dat uitzet (zoals gedroogde groenten, bonen, granen, rijst, enz.) Vul NIET MEER dan het middenste vulniveau.
- 'MIN'-niveau: zorg ervoor dat de uitneembare kookpan minstens tot het minimum niveau gevuld is om een degelijke werking te kunnen verzekeren en om thermische schade of brand te vermijden.

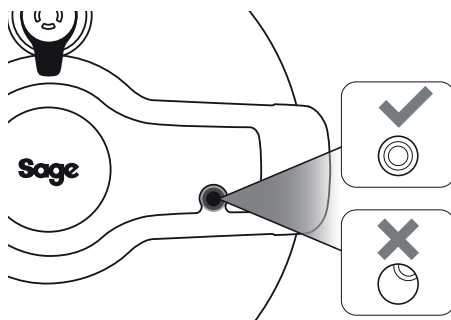
FORCEER HET DEKSEL NOOIT DICHT.

HET DEKSEL SLUITEN

- Zorg ervoor dat de silicone dekselvergrendeling op correcte wijze rond de metalen ring is geplaatst aan de onderzijde van het deksel en dat de veiligheidsvergrendeling vrij kan bewegen.
- Duw het deksel dicht in gesloten positie. Draai de dekselknop rechtsom richting het gesloten slot-teken. Het deksel zou met gemak en minimale moeite moeten sluiten en vergrendelen in de correcte positie. **ZET NIET TE VEEL DRUK OP HET DEKSEL OF FORCEER HET NIET DICHT.** Het kookalarm zal weerklinken wanneer het deksel vergrendeld is.



- Zorg er altijd voor dat de veiligheidsvergrendeling correct uitgelijnd is met de opening van de dekselsteel en niet op enigerlei wijze beperkt wordt.



OPMERKING

Indien de inhoud van de kookpan heet is op het moment dat het deksel gesloten wordt, is het mogelijk dat u licht moet drukken op de dekselknop terwijl het deksel nog in onvergrendelde positie is, zodat het deksel makkelijk gedraaid kan worden.

HANDS-FREE STOOMVRIJGAVE

De kookpan is voorzien van een automatische hands-free stoomvrijgave waardoor af en toe stoom vrijgegeven wordt wanneer de kookpan onder druk staat en waardoor de cyclus voor stoomvrijgave automatisch wordt gestart na het kookproces.

- Plaats uw handen, armen of gezicht nooit boven het ventiel voor drukvrijgave.

Naast de automatische hands-free stoomvrijgave, kan druk ook vrijgegeven worden door te drukken op de VRIJGAVE-knop of door manueel aan het ventiel voor drukvrijgave te draaien.

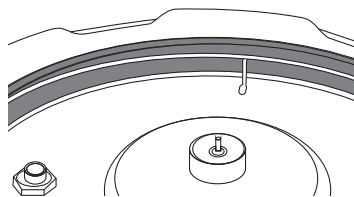
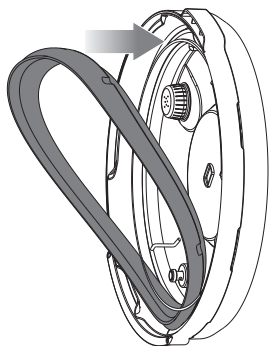
HET DEKSEL OPENEN

- Draai de dekselknop linksom in de richting van het open slot-teken. Het kookalarm zal weerklinken wanneer het deksel ontgrendeld is.
- Het deksel zou met gemak moeten openen wanneer alle interne druk werd vrijgegeven. Forceer het deksel nooit open.
- Indien het deksel niet wilt ontgrendelen of indien u weerstand ondervindt, kan dit een indicatie zijn dat de kookpan nog onder druk staat. Houd de VRIJGAVE-knop ingedrukt totdat alle interne druk is vrijgegeven en het deksel makkelijk opengaat.

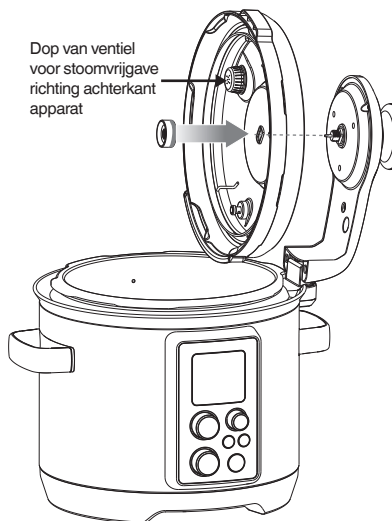
FORCEER HET DEKSEL NOOIT OPEN.

HET VOORBEREIDEN VAN DE FAST SLOW PRO™

1. Verwijder al het verpakkingsmateriaal, promotionele labels en plakband en gooi dit op een veilige manier weg.
2. Open het deksel door de dekselknop linksom te draaien waardoor het deksel van het apparaat getild wordt totdat het zich in de open positie bevindt. Schroef de afdichtingsmoer los in het midden van het deksel en verwijder deze. Trek daarna het deksel weg om dit van de dekselsteel te verwijderen.
3. Was het deksel, de uitneembare kookpan en de silicone dekselvergrendeling in warm zeepwater, spoel en droog daarna grondig af. Veeg de binnen- en buitenkant van de kookbasis af met een zachte, vochtige doek en droog deze goed af.
4. De silicone dekselvergrendeling is omkeerbaar en kan geplaatst worden in eender welke richting. Plaats de silicone dekselvergrendeling rond de buitenkant van de metalen ring aan de onderzijde van het deksel. Zorg ervoor dat het volledig ingevoegd is en dat het vlak onder de metalen ring ligt.



5. Het deksel kan slechts op één manier geplaatst worden en moet op een correcte wijze gemonteerd worden zodat het apparaat in werking zou treden. Plaats het deksel zodanig dat de afdekking van het ventiel voor stoomvrijgave zich aan de rand van het apparaat bevindt (afbeelding A). Lijn het midden van het deksel uit met de moer aan de onderzijde van de dekselsteel (afbeelding B) en druk het daarna in positie waardoor de schroefdraad zichtbaar wordt. Schroef de afdichtingsmoer vast, met de rode ring die het deksel raakt, om het deksel te vergrendelen. Eenmaal gemonteerd, controleer of het ventiel voor stoomvrijgave zich in de correcte positie bevindt tegenover de dekselknop.

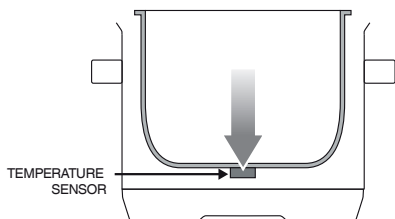


Afbeelding A

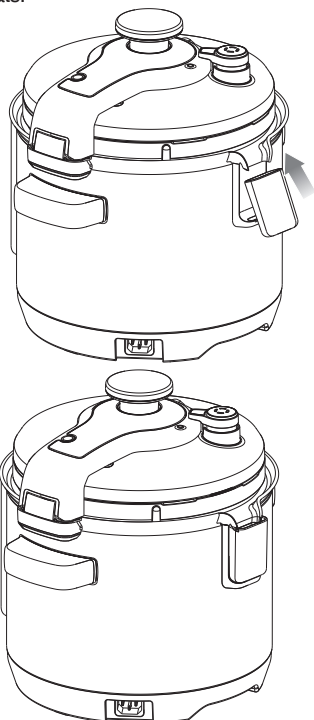


Afbeelding B

6. Reinig en droog de onderzijde van de uitneembare kookpan en de temperatuursensor, zorg ervoor dat er geen ongewenste materialen op de oppervlakken achterblijft. De uitneembare kookpan moet vlak op de temperatuursensor rusten om een goed contact te verzekeren.



7. Klik het opvangbakje voor condensatie op zijn plaats.



8. Verbind het netsnoer met de kookbasis, zorg ervoor dat het verbindingseinde volledig droog is. Steek de stekker in een stopcontact van 220 - 240V (geaard).
9. Het kookalarm zal weerklinken en het LCD-beeldscherm zal oplichten. De instellingsopties zullen verschijnen met een indicator in de DRUKKOOK-instelling.



Funcities

SLIMME INSTELLINGEN

De Fast Slow Pro™ is voorzien van 6 Slimme instellingen; Drukkook, Traag koken, Gereduceerd, Schroeien, Sauteren en Stomen. De Drukkoken- en Traag koken-instellingen bevatten een lijst met veelgebruikte voedseltypen met vooraf bepaalde kooktijden en temperaturen/drukniveaus voor de beste resultaten. Maar we raden echter aan om hiermee te experimenteren naargelang het recept, de hoeveelheid voedsel en uw persoonlijke smaakvoorkeuren. Als alternatief kan u de AANGEPAST-instelling selecteren om uw eigen kooktijden, temperatuur en drukniveaus in te stellen.

Uw AANGEPAST-instelling blijft behouden in het geheugen van het apparaat. Om de fabrieksinstellingen te resetten, trekt u de stekker uit het stopcontact, houdt u START/SELECTEER ingedrukt terwijl u de stekker opnieuw insteekt.

HANDS-FREE VARIABLEE STOOMVRIJGAVE

De Fast Slow Pro™ is voorzien van 3 methoden voor het vrijgeven van stoom:

Automatisch snel

Druk wordt snel vrijgegeven om te lang garen te verminderen bij voedsel of recepten die een korte kooktijd vereisen.

Automatisch pulserend

Druk wordt verminderd in stukken om het effect op het voedsel in de kookpan te verminderen.

Natuurlijk

De druk neemt op natuurlijke wijze af aan de binnenzijde zonder stoom vrij te geven via het ventiel om het bewegen of het verbrossen van gevoelige ingrediënten tijdens de drukvrijgave te voorkomen zoals bij bouillon of bonen.

Deze kunnen geselecteerd worden door middel van de STOOM VRIJGAVE-knop op het bedieningspaneel tijdens de instelling en de cyclus voor stoomvrijgave. Eenmaal geselecteerd, zal het ventiel voor stoomvrijgave automatisch stoom vrijgeven aan het einde van het kookproces.

Het indrukken en ingedrukt houden van de stoomvrijgave-knop tijdens of na het kookproces zal het ventiel voor stoomvrijgave openzetten.





LET OP

Houd uw handen en gezicht altijd uit de buurt van het ventiel voor drukvrijgave wanneer u kookt onder druk want hete stoom en condens kan uitgestoten worden tijdens de vrijgave.

HOOGTEVERSTELLING

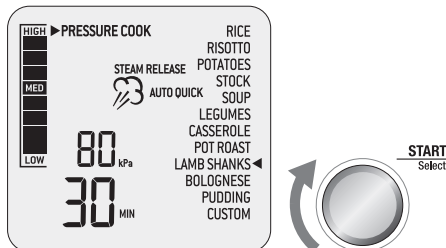
Druk bouwt op en neemt toe naarmate de temperatuur in de kookpan het kookpunt bereikt. Wanneer de hoogte toeneemt, neemt de temperatuur waarop water kookt af als resultaat van de daling in luchtdruk. Dit zorgt voor heel verschillende kookcondities bij het gebruik van de snelkookpan.

Om consistente kookresultaten te blijven bekomen op verschillende hoogtes, is de Fast Slow Pro™ voorzien van een functie die de instellingen aanpast naargelang de hoogte van uw huidige locatie.

1. Om de Hoogteverstellingsmodus te raadplegen, druk op STOP/ANNULEER en houd ingedrukt om de standby-modus te activeren. De achtergrondverlichting van de knoppen zal uitgaan en het LCD-beeldscherm zal niet langer oplichten.
2. Eenmaal in standby, druk de HOUD WARM- en STOOMVRIJGAVE-knoppen samen in en houd ingedrukt voor 2 seconden.
3. Draai aan de knop voor tijdsduur om de hoogte van uw huidige locatie in te geven. De hoogte kan ingesteld worden tussen 250 m en 1.999 m. De snelkookpan mag niet gebruikt worden op hoogtes hoger dan 2.000 m.
4. Druk op START/SELECTEER om te bevestigen.
5. De instellingen van het apparaat zijn nu aangepast aan uw huidige hoogte. Om de hoogte te resetten naar zeeniveau (fabrieksinstelling), trekt u de stekker uit het stopcontact, houdt u START/SELECTEER ingedrukt terwijl u de stekker opnieuw insteekt.

DRUKKOOK

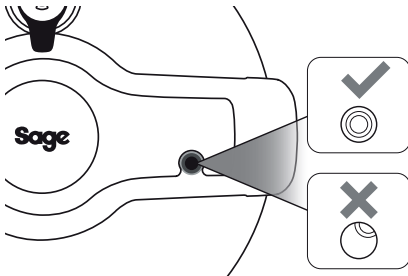
1. Draai de START/SELECTEER-knop totdat de aanduiding de instelling van DRUKKOOK heeft bereikt. Druk op START/SELECTEER om te bevestigen.
2. Draai de START/SELECTEER-knop totdat de aanduiding aan de rechterkant van het LCD-beeldscherm de gewenste instelling heeft bereikt.



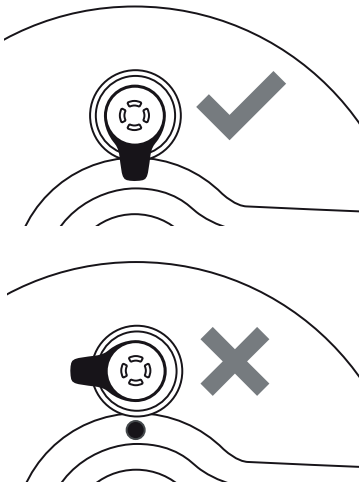
3. De waarde bovenaan het LCD-beeldscherm geeft het vooringestelde drukniveau aan voor de geselecteerde instelling. Draai de TEMPERATUUR/DRUK-knop naar links om de druk te verminderen of naar rechts om de druk te verhogen. Druk kan aangepast worden van 20 kPa (LAAG) to 80 kPa (HOOG).
4. De waarde onderaan het LCD-beeldscherm geeft de vooringestelde kooktijd aan voor de geselecteerde instelling. Draai de TIJDSDUUR-knop naar links om de kooktijd te verlagen of naar rechts om de kooktijd te verhogen. De duur kan aangepast worden tot 2 uur.
5. Het stoom-icoon op het LCD-beeldscherm geeft de vooringestelde methode voor stoomvrijgave aan voor de geselecteerde instelling. Druk op de STOOMVRIJGAVE-knop om te kiezen tussen 'AUTOMATISCH SNEL', 'AUTOMATISCH PULSEREND' of 'NATUURLIJK' als methode voor stoomvrijgave.
6. Plaats voedsel in de uitneembare kookpan. Zorg ervoor dat er minstens 1 L van voedsel gecombineerd met vloeistof in de pan aanwezig is.



7. Sluit het deksel en draai de dekselknop rechtsom om te vergrendelen. Het kookalarm zal weerklinken wanneer het deksel vergrendeld is. Zorg er altijd voor dat de veiligheidsvergrendeling correct uitgelijnd is met de opening van de dekselsteel en niet op enigerlei wijze beperkt wordt.



8. Zorg ervoor dat het ventiel voor drukvrijgave op het deksel is geplaatst, in de correcte positie is vergrendeld en zich tegenover de dekselknop bevindt.



9. Druk op START/SELECTEER om het kookproces te starten. Het achtergrondlicht van de STOP/ANNULEER-knop zal rood oplichten, het LCD-beeldscherm zal oranje oplichten, 'VOORVERWARMEN' zal verschijnen en het drukmeter aan de linkerkant zal stijgen om aan te geven dat de druk in het apparaat toeneemt.

OPMERKING

Het is normaal dat het apparaat kleine uitstoten van stoom vrijgeeft om de interne druk te kunnen stabiliseren.

10. Indien het deksel niet correct werd vergrendeld, zal 'VERGRENDDEL DEKSEL' op het LCD-scherm verschijnen. Draai de dekselknop rechtsom om te vergrendelen en begin het kookproces.
11. Eenmaal het apparaat de juiste druk heeft bereikt, zal 'VOORVERWARMEN' verdwijnen, het kookalarm zal weerklinken, de timer zal beginnen met aftellen en de drukmeter zal de huidige druk in het apparaat aangeven.
12. De tijd kan tijdens het kookproces worden aangepast door middel van de TIJDSDUUR-draaiknop. Het proces kan op elk moment gepauzeerd worden door op de STOP/ANNULEER-knop te drukken. Om het proces te beëindigen, druk op de STOP/ANNULEER-knop en houd 2 seconden ingedrukt. Indien er reeds druk in het apparaat aanwezig was, zal het overgaan op het proces voor stoomvrijgave.
13. Aan het einde van het kookproces, zal het kookalarm weerklinken en zal stoom automatisch worden vrijgegeven via het ventiel voor stoomvrijgave. Het stoom-icoon zal beginnen knipperen, de timer zal beginnen met optellen en de drukmeter, die de huidige druk in het apparaat aanduidt, zal afnemen. Indien NATUURLIJK als methode voor stoomvrijgave werd geselecteerd, zal stoom in het apparaat automatisch afnemen via het ventiel voor stoomvrijgave. De methode voor stoomvrijgave kan gewijzigd worden tijdens het proces voor stoomvrijgave door op de STOOMVRIJGAVE-knop te drukken.
14. Aan het einde van het proces voor stoomvrijgave, zal het kookalarm weerklinken, het LCD-beeldscherm zal blauw oplichten en de timer zal beginnen met optellen.
15. Open het deksel door de dekselknop linksom te draaien en hef het deksel voorzichtig in de open positie.
16. Na 5 minuten inactiviteit, wordt de standby-modus geactiveerd. De achtergrondverlichting van de knoppen zal uitgaan en het LCD-beeldscherm zal niet langer oplichten.



LET OP

Plaats nooit uw gezicht of handen boven het apparaat wanneer u het deksel verwijdert om letsels door ontsnappende stoom te vermijden.

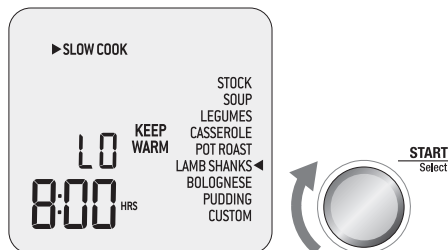


OPMERKING

Indien het deksel niet wilt ontgrendelen, is dit een indicatie dat het apparaat nog onder druk staat. Forceer het deksel niet open want overblijvende druk kan gevaarlijk zijn. Houd de STOOMVRIJGAVE-knop ingedrukt totdat alle interne druk is vrijgegeven en het deksel makkelijk opengaat.

TRAAG KOKEN

1. Draai aan de START/SELECTEER-knop totdat de aanduiding de instelling van TRAAG KOKEN heeft bereikt. Druk op START/SELECTEER om te bevestigen.
2. Draai de START/SELECTEER-knop totdat de aanduiding aan de rechterkant van het LCD-beeldscherm de gewenste instelling heeft bereikt.



3. De waarde bovenaan het LCD-beeldscherm geeft de vooringestelde temperatuur aan voor de geselecteerde instelling. Draai de TEMPERATUUR/DRUK-knop naar links om de temperatuur te verminderen of naar rechts om de temperatuur te verhogen. De temperatuur kan naar één van twee vooraf ingestelde temperaturen gewijzigd worden, 'LAAG' of 'HOOG'.
4. De waarde onderaan het LCD-beeldscherm geeft de vooringestelde kooktijd aan voor de geselecteerde instelling. Draai de TIJDSDUUR-knop naar links om de kooktijd te verlagen of naar rechts om de kooktijd te verhogen. De duur kan aangepast worden tussen 2 en 12 uur.
5. 'HOUD WARM' geeft aan dat de WARMHOUDFUNCTIE automatisch ingeschakeld zal worden nadat het TRAAG KOKEN-proces is afgelopen. Druk op de HOUD WARM-knop op het bedieningspaneel om de functie te selecteren of te deselecteren.
6. Plaats voedsel in de uitneembare kookpan. Zorg ervoor dat er minstens 1 L van voedsel gecombineerd met vloeistof in de pan aanwezig is.



7. Sluit het deksel, draai het en zet het in de vergrendelstand.
8. Zorg ervoor dat het gewicht van het ontluichtingsventiel op het deksel zit en in de gesloten positie staat.
9. Druk op START/SELECTEER om het kookproces te starten. Het achtergrondlicht van de STOP/ANNULEER-knop zal rood oplichten en het LCD-beeldscherm zal oranje oplichten.
10. De timer zal afgebeeld worden en zal automatisch beginnen met aftellen. De duur kan tijdens het kookproces worden aangepast door middel van de TIJDSDUUR-draaiknop. Het proces kan op elk moment gepauzeerd worden door op de STOP/ANNULEER-knop te drukken. Om het proces te beëindigen, druk op de STOP/ANNULEER-knop en houd 2 seconden ingedrukt.
11. 'HOUD WARM' geeft aan dat de WARMHOUDFUNCTIE automatisch ingeschakeld zal worden nadat het traag koken-proces is afgelopen. Het LCD-beeldscherm zal 'HOUD WARM' weergeven en de timer zal beginnen optellen tot een maximum duur van 2 uur. Het houd warm-proces kan op elk moment gepauzeerd worden door op de STOP/ANNULEER-knop te drukken.
12. Indien HOUD WARM niet geselecteerd werd, zal het kookalarm weerklinken, het achtergrondlicht van de STOP/ANNULEER-knop zal uitgaan en het LCD-beeldscherm zal blauw oplichten.
13. Na 5 minuten inactiviteit, wordt de standby-modus geactiveerd. De achtergrondverlichting van de knoppen zal uitgaan en het LCD-beeldscherm zal niet langer oplichten.

GEREDUCEERD

De GEREDUCEERD-instelling is ideaal voor het indikken van en het intensiveren van de smaak van sauzen, siropen en bouillons.

1. Draai aan de START/SELECTEER-knop totdat de aanduiding de instelling van GEREDUCEERD heeft bereikt. Druk op START/SELECTEER om te bevestigen.
2. De waarde bovenaan het LCD-beeldscherm geeft de vooringestelde temperatuur aan voor de GEREDUCEERD-instelling. Draai de TEMPERATUUR/DRUK-knop naar links om de temperatuur te verminderen of naar rechts om de temperatuur te verhogen. De temperatuur kan naar één van drie vooraf ingestelde temperaturen gewijzigd worden; 'LAAG', 'MEDIUM' of 'HOOG'.
3. De waarde onderaan het LCD-beeldscherm geeft de vooringestelde kooktijd aan voor de GEREDUCEERD-instelling. Draai de TIJDSDUUR-knop naar links om de kooktijd te verlagen of naar rechts om de kooktijd te verhogen. De duur kan aangepast worden tot 2 uur.
4. Plaats de te reduceren vloeistof in de uitneembare kookpan.



OPMERKING

Indien u het kookvocht na drukkook of traag koken wilt reduceren, verwijder dan eerst het gegaarde vlees of groenten.

Eenmaal de saus de juiste consistentie en smaak heeft bereikt, voegt u het vlees opnieuw toe en laat u dit opnieuw opwarmen voor een aantal minuten om het te serveren.

5. Druk op START/SELECTEER om het kookproces te starten. Het achtergrondlicht van de STOP/ANNULEER-knop zal rood oplichten, het LCD-beeldscherm zal oranje oplichten en 'VOORVERWARMEN' weergegeven.
6. Houd het deksel in de open positie. Indien het deksel niet werd geopend, zal het kookalarm weerklinken en zal 'OPEN DEKSEL' op het LCD-beeldscherm verschijnen.
7. Eenmaal de kookpan op temperatuur is, zal 'VOORVERWARMEN' weer verdwijnen.
8. De timer zal beginnen met aftellen. De duur kan tijdens het kookproces worden aangepast door middel van de TIJDSDUUR-draaiknop. Het proces kan op elk moment gepauzeerd worden door op de STOP/ANNULEER-knop te drukken. Om het proces te beëindigen, druk op de STOP/ANNULEER-knop en houd 2 seconden ingedrukt.
9. Aan het einde van het reduceerproces, zal het kookalarm weerklinken, het achtergrondlicht van de STOP/ANNULEER-knop zal uitgaan en het LCD-beeldscherm zal blauw oplichten.
10. Na 5 minuten inactiviteit, wordt de standby-modus geactiveerd. De achtergrondverlichting van de knoppen zal uitgaan en het LCD-beeldscherm zal niet langer oplichten.

SCHROEIEN

De instelling SCHROEIEN werd ontworpen om de smaak van maaltijden te verbeteren en te verdiepen door dezelfde kookpan te gebruiken voor het karamelliseren en het bruinen van voedsel voordat dit gekookt wordt door middel van drukkook of traag koken.

1. Draai aan de START/SELECTEER-knop totdat de aanduiding de instelling van SCHROEIEN heeft bereikt. Druk op START/SELECTEER om te bevestigen.
2. Het achtergrondlicht van de STOP/ANNULEER-knop zal rood oplichten, het LCD-beeldscherm zal oranje oplichten en 'VOORVERWARMEN' weergegeven.
3. Houd het deksel in de open positie. Indien het deksel niet werd geopend, zal het kookalarm weerklinken en zal 'OPEN DEKSEL' op het LCD-beeldscherm verschijnen.
4. Eenmaal de kookpan op temperatuur is, zal 'VOORVERWARMEN' weer verdwijnen. Plaats het te garen voedsel in de uitneembare kookpan.

5. De timer zal beginnen optellen tot een maximum duur van 45 minuten. Het proces kan op elk moment gepauzeerd worden door op de STOP/ANNULEER-knop te drukken. Om het proces te beëindigen, druk op de STOP/ANNULEER-knop en houd 2 seconden ingedrukt.
6. Aan het einde van het schroeiproces, zal het kookalarm weerklinken, het achtergrondlicht van de STOP/ANNULEER-knop zal uitgaan en het LCD-beeldscherm zal blauw oplichten.
7. Na 5 minuten inactiviteit, wordt de standby-modus geactiveerd. De achtergrondverlichting van de knoppen zal uitgaan en het LCD-beeldscherm zal niet langer oplichten.

SAUTEREN

De instelling SAUTEREN is ideaal voor het verzachten en karamelliseren van look, ajuinen en kleinere stukken voedsel voordat dit gekookt wordt door middel van drukkook of traag koken.

1. Draai aan de START/SELECTEER-knop totdat de aanduiding de instelling van SAUTEREN heeft bereikt. Druk op START/SELECTEER om te bevestigen.
2. De waarde bovenaan het LCD-beeldscherm geeft de vooringestelde temperatuur aan voor de SAUTEREN-instelling. Draai de TEMPERATUUR/DRUK-knop naar links om de temperatuur te verminderen of naar rechts om de temperatuur te verhogen. De temperatuur kan naar één van drie vooraf ingestelde temperaturen gewijzigd worden; 'LAAG', 'MEDIUM' of 'HOOG'.
3. Druk op START/SELECTEER om het kookproces te starten. Het achtergrondlicht van de STOP/ANNULEER-knop zal rood oplichten, het LCD-beeldscherm zal oranje oplichten en 'VOORVERWARMEN' weergegeven.
4. Houd het deksel in de open positie. Indien het deksel niet werd geopend, zal het kookalarm weerklinken en zal 'OPEN DEKSEL' op het LCD-beeldscherm verschijnen.
5. Eenmaal de kookpan op temperatuur is, zal 'VOORVERWARMEN' weer verdwijnen. Plaats het te garen voedsel in de uitneembare kookpan.
6. De timer zal beginnen met optellen. Het proces kan op elk moment gepauzeerd worden door op de STOP/ANNULEER-knop te drukken. Om het proces te beëindigen, druk op de STOP/ANNULEER-knop en houd 2 seconden ingedrukt.
7. Aan het einde van het sauteerproces, zal het kookalarm weerklinken, het achtergrondlicht van de STOP/ANNULEER-knop zal uitgaan en het LCD-beeldscherm zal blauw oplichten.
8. Na 5 minuten inactiviteit, wordt de standby-modus geactiveerd. De achtergrondverlichting van de knoppen zal uitgaan en het LCD-beeldscherm zal niet langer oplichten.

STOMEN

De instelling STOMEN is ideaal voor het stomen van groenten, visfilets, dumplings en het opnieuw opwarmen van maaltijden.

1. Draai aan de START/SELECTEER-knop totdat de aanduiding de instelling van STOMEN heeft bereikt. Druk op START/SELECTEER om te bevestigen.
2. De waarde onderaan het LCD-beeldscherm geeft de vooringestelde kooktijd aan voor de STOMEN-instelling. Draai de TIJDSDUUR-knop naar links om de kooktijd te verlagen of naar rechts om de kooktijd te verhogen. De tijdsduur kan aangepast worden tot 1 uur.
3. Vul de uitneembare kookpan met water tot aan de indicatie voor minimum niveau. Controleer, tijdens het stomen, het waterniveau en voeg water toe indien nodig.
4. Plaats de onderzetter in de pan en plaats het stoommandje er bovenop. Indien u maaltijden opnieuw opwarmt, plaats dan het bord op de onderzetter.
5. Plaats het voedsel zodanig in de stomer dat er openingen van 1 cm zijn zodat de stoom gelijkmatig aan elke kant kan verwarmen.
6. Sluit het deksel, draai het en zet het in de vergrendelstand.
7. Verwijder het gewicht van het ontluichtingsventiel van het deksel.
8. Druk op START/SELECTEER om het kookproces te starten. Het achtergrondlicht van de STOP/ANNULEER-knop zal rood oplichten, het LCD-beeldscherm zal oranje oplichten en 'VOORVERWARMEN' weergeven.
9. Eenmaal de kookpan op temperatuur is, zal 'VOORVERWARMEN' weer verdwijnen.
10. De timer zal beginnen optellen tot een maximum duur van 45 minuten. De duur kan tijdens het kookproces worden aangepast door middel van de TIJDSDUUR-draaiknop. Het proces kan op elk moment gepauzeerd worden door op de STOP/ANNULEER-knop te drukken. Om het proces te beëindigen, druk op de STOP/ANNULEER-knop en houd 2 seconden ingedrukt.
11. Aan het einde van het stoomproces, zal het kookalarm weerklinken, het achtergrondlicht van de STOP/ANNULEER-knop zal uitgaan en het LCD-beeldscherm zal blauw oplichten.
12. Indien verdere stoming nodig is, controleer dan het waterniveau en vul aan indien nodig.
13. Na 5 minuten inactiviteit, wordt de standby-modus geactiveerd. De achtergrondverlichting van de knoppen zal uitgaan en het LCD-beeldscherm zal niet langer oplichten.



Onderhoud en reiniging

De kookpan, de behuizing, het deksel en de toebehoren moeten grondig gereinigd worden voor elk gebruik.

Zorg ervoor dat het apparaat is uitgeschakeld voor de reiniging door op de STOP/ANNULEER-knop te drukken en deze ingedrukt te houden. Het apparaat is uitgeschakeld wanneer het achtergrondlicht van de knoppen niet langer oplicht.

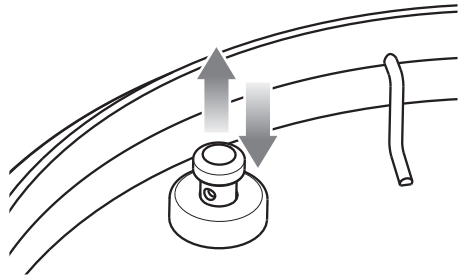
Trek de stekker uit het stopcontact en verwijder de verbinding van het netsnoer uit het apparaat. Laat het apparaat en alle toebehoren volledig afkoelen alvorens te demonteren en te reinigen.

REINIGEN VAN DE KOOKPAN EN BEHUIZING

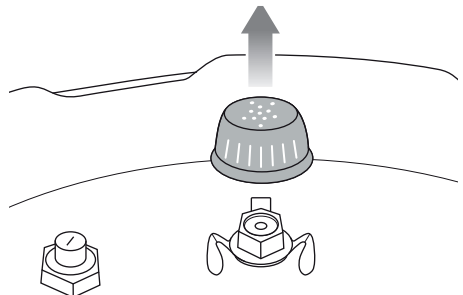
1. De uitneembare kookpan kan in de vaatwasser worden gereinigd. Maar om de keramische bescherm laag echter intact te houden, wordt het aangeraden om de kookpan in warm zeepwater met mild huishoudreinigingsmiddel te reinigen. Spoel af met schoon water en droog grondig af.
2. Reinig de behuizing met een zachte, vochtige doek. Een niet-schurend vloeibaar schoonmaakmiddel of milde spray kan gebruikt worden om hardnekkige vlekken te verwijderen. Breng het schoonmaakmiddel aan op een spons, niet op het oppervlak van het apparaat.
3. Verwijder het opvangbakje voor condensatie door voorzichtig de bodem weg te trekken van de behuizing. Reinig in warm zeepwater, spoel af met schoon water, droog grondig af en klik het terug in positie.
4. Veeg het LCD-beeldscherm schoon met een zachte, vochtige doek. Reiniging met een droge doek of schurende schoonmaakmiddelen kan krassen op het oppervlak veroorzaken.
5. Laat alle oppervlakken voldoende drogen voordat u de stekker in het stopcontact steekt en het apparaat aanschakelt.

REINIGEN VAN HET DEKSEL

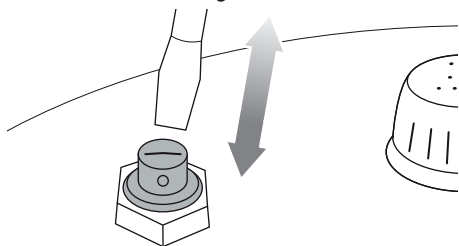
1. Verwijder het ventiel voor drukvrijgave van het deksel.
2. Open het deksel door de dekselknop linksom te draaien waardoor het deksel van het apparaat getild wordt totdat het zich in de open positie bevindt. Schroef de afdichtingsmoer los in het midden van het deksel en verwijder deze. Trek daarna het deksel weg om dit van de dekselsteel te verwijderen.
3. Trek voorzichtig de silicone dekselvergrendeling weg van de metalen ring aan de onderzijde van het deksel.
4. Was de afdichtingsmoer en het ventiel voor drukvrijgave in warm zeepwater. Spoel af met schoon water en droog grondig af.
5. Reinig de silicone dekselvergrendeling en het deksel in de bovenste lade van de vaatwasser. Of was in warm zeepwater, spoel af met schoon water en droog grondig af.
6. Nadat het deksel gereinigd werd, controleer de volgende punten regelmatig en zorg ervoor dat:
 - a) De veiligheidsvergrendeling vrij op en neer kan bewegen. Verwijder altijd olie of voedselresten.



- b) Het ventiel voor drukvrijgave en de afdekking schoon zijn en vrij van voedsel of vloeistof. Om het te kunnen reinigen, draai en trek het ventiel voor drukvrijgave van het deksel, reinig met zeep en een doek, spoel en droog grondig af. Klik de afdekking terug in de originele positie.



- c) Het ventiel voor drukveiligheid schoon is en vrij van voedsel of vloeistof. Om te reinigen, druk van binnenuit op het ventiel zodat het ventiel open is op het deksel en verwijder olie of voedselresten. Zorg ervoor dat het ventiel na de reiniging vlot in en uit beweegt.



7. Bevestig de silicone dekselvergrendeling rond de metalen ring aan de onderzijde van het deksel. Pas de positie desnoods aan zodat het juist en niet verdraaid zit.
8. Om het deksel opnieuw te monteren, oriënteert u het zodanig dat het ventiel voor stoomvrijgave zich aan de zijkant bevindt, daarna lijnt u het midden van het deksel uit met de moer aan de onderzijde van de dekselsteel en drukt u het in positie waardoor de schroefdraad zichtbaar wordt. Vergrendel het deksel door de afdichtingsmoer er terug op te draaien zodat de rode ring het dekseloppervlak raakt.

REINIGEN VAN STOOMMANDJE EN ONDERZETTER

1. Was alle onderdelen af in warm zeepwater met een zachte spons of zachte plastic schuurspons. Spoel en droog alles goed af. Gebruik geen schurende schoonmaakmiddelen, metalen schuursponzen of metalen keukengerei om onderdelen te reinigen want deze kunnen de oppervlakken beschadigen.
2. Om de levensduur van uw toebehoren te verlengen, raden wij af om deze in de vaatwasser te reinigen.



TIP

Om voedselgeuren te verwijderen, mengt u 2 cups (500 ml) water, ½ cup (125 ml) citroensap, 1 eetlepel citroenschil en 1 eetlepel vanille extract in de uitneembare kookpan. Kook dit onder druk van 80 kPa voor 5 minuten met 'Natuurlijk' als methode voor stoomvrijgave.

OPSLAG

1. Zorg ervoor dat het apparaat is uitgeschakeld door op de STOP/ANNULEER-knop te drukken en deze ingedrukt te houden. Het apparaat is uitgeschakeld wanneer het achtergrondlicht van de knoppen niet langer oplicht.
2. Haal de stekker uit het stopcontact. Laat het apparaat en alle toebehoren volledig afkoelen alvorens te demonteren en te reinigen.
3. Zorg ervoor dat het apparaat en alle toebehoren schoon en droog zijn.
4. Zorg ervoor dat de kookpan in het apparaat is geplaatst; dat de onderzetter zich in het stoommandje bevindt en dit geheel in de kookpan is geplaatst.
5. Zorg ervoor dat het deksel gesloten en vergrendeld is.
6. Berg het apparaat op in rechtopstaande positie op de ondersteunende voet. Plaats niets bovenop het apparaat.



Problemen oplossen

PROBLEEM

EENVOUDIGE OPLOSSING

Het deksel kan aan het einde van het kookproces niet geopend worden

- Houd de STOOMVRIJGAVE-knop ingedrukt totdat alle interne druk is vrijgegeven en het deksel opengaat.
- Eenmaal alle interne druk werd vrijgegeven door middel van de STOOMVRIJGAVE-knop, draait u het ventiel voor drukvrijgave naar de open positie, weggedraaid van de dekselknop.
- Indien dit zich regelmatig voordoet, moet het apparaat eventueel aangepast worden aan de hoogte van uw huidige locatie. Volg de instructies voor "Hoogteverstelling" op pagina 12.

'Open deksel' is weergegeven op het LCD-beeldscherm wanneer het deksel reeds open is

- Draai de dekselknop rechtersom en linksom.

Stoom ontsnapt van onder het deksel

OF

Veiligheidsvergrendeling komt niet naar omhoog

OF

Het apparaat produceert niet voldoende druk

OF

Timer telt niet af

- Monteer het deksel op een correcte manier en zorg ervoor dat er geen opening is tussen de dekselsteel en het deksel uit roestvrij staal. De afdichtingsmoer moet stevig vastgeschroeid zijn. Volg stap 5 op pagina 10.
- Zorg ervoor dat de silicone dekselvergrendeling schoon is, onbeschadigd en zich in de juiste positie bevindt. Volg stap 4 op pagina 10.
- Zorg ervoor dat de veiligheidsvergrendeling vrij op en neer kan bewegen. Volg stap 6a op pagina 17.
- Zorg ervoor dat wanneer het deksel gesloten is de veiligheidsvergrendeling correct uitgelijnd is met de opening van de dekselsteel. Volg stap 7 op pagina 13.
- Zorg ervoor dat het ventiel voor drukvrijgave in de correcte positie is vergrendeld en zich tegenover de dekselknop bevindt. Volg stap 8 op pagina 13.
- Voeg meer vloeistof/voedsel toe aan de kookpan. Er moet een minimum van 1 liter voedsel gecombineerd met vloeistof in de kookpan aanwezig zijn.
- Indien het probleem zich blijft voordoen, neem dan contact op met de klantenservice van Sage.

Het apparaat schakelt automatisch over op 'houd warm' zonder dat het kookproces volledig werd doorlopen

- Voeg meer water toe aan de kookpan en herneem het kookproces.

Er vormt zich water op het ondersteunende oppervlak

- Zorg ervoor dat het apparaat op een vlakke en stabiele ondergrond is geplaatst en dat het opvangbakje voor condensatie aan de achterkant van het apparaat geïnstalleerd is. Volg de instructies "HET VOORBEREIDEN VAN DE FAST SLOW PRO™" op pagina 10.
- Ledig het opvangbakje voor condensatie.



Garantie

BEPERKTE GARANTIE VAN 2 JAAR

Sage Appliances biedt een garantie op dit product voor huishoudelijk gebruik in genoemde gebieden gedurende 2 jaar vanaf de datum van aankoop tegen defecten veroorzaakt door gebrekkige afwerking en materialen. Gedurende deze garantieperiode zal Sage Appliances defecte producten repareren, vervangen of terugbetalen (naar eigen goeddunken van Sage Appliances).

Alle wettelijke garantierechten onder de toepasselijke nationale wetgeving worden gerespecteerd en onze garantie doet geen afbreuk aan deze rechten. Voor de algemene voorwaarden van de garantie, evenals instructies over hoe u aanspraak maakt op de garantie, gaat u naar www.sageappliances.com.

the Fast Slow Pro™



IT MANUALE UTENTE

Sage®



Sommario

- 2 Norme di sicurezza importanti
- 7 Componenti
- 9 Informazioni importanti sulla sicurezza di Fast Slow Pro™
- 11 Funzioni
- 17 Manutenzione e pulizia
- 19 Risoluzione dei problemi
- 20 Garanzia

SAGE® CONSIGLIA: LA SICUREZZA PRIMA DI TUTTO

In Sage® abbiamo molto a cuore la sicurezza. Creiamo e commercializziamo prodotti di consumo tenendo sempre presente la sicurezza dei nostri clienti. Inoltre, invitiamo i clienti a prestare molta attenzione durante l'utilizzo degli apparecchi elettrici e a osservare le seguenti precauzioni.

NORME DI SICUREZZA IMPORTANTI

LEGGERE TUTTE LE ISTRUZIONI PRIMA DELL'USO E CONSERVARLE PER CONSULTARLE IN FUTURO

- Sul sito Web sageappliances.com è disponibile anche una versione scaricabile del presente documento.
- Non lasciare i bambini vicino alla pentola a pressione quando è in uso.
- Non mettere la pentola a pressione in un forno riscaldato.
- Quando l'apparecchio è sotto pressione, spostarlo con la massima cautela. Evitare il contatto con le superfici calde. Utilizzare i manici e le manopole. Se necessario, utilizzare una protezione.
- Non utilizzare la pentola a pressione per uno scopo diverso da quello per cui è stata progettata.
- Questo apparecchio cuoce sotto pressione; l'utilizzo inappropriato può causare ustioni. Assicurarsi che la pentola sia chiusa correttamente prima di scaldarla. Vedere la sezione "Cottura a pressione" in questo manuale.

- Non forzare mai l'apertura della pentola a pressione. Non aprire prima di avere controllato che la pressione interna sia scesa completamente. Vedere la sezione "Rilascio del vapore" in questo manuale.
- Non utilizzare mai la pentola a pressione senza aggiungere acqua perché potrebbe danneggiarsi seriamente.
- Non riempire la pentola oltre i $\frac{2}{3}$ della sua capacità. Quando si cuociono alimenti che si espandono durante la cottura, come riso o verdure essiccate, non riempire la pentola oltre la metà della sua capacità.
- La fonte di calore necessaria per cucinare è inclusa nell'apparecchio.
- Dopo avere cucinato della carne con la pelle (ad esempio, lingua di bue) che può gonfiarsi per effetto della pressione, non pungere la carne mentre la pelle è gonfia perché ciò potrebbe provocare ustioni.
- Quando si cuociono alimenti con una consistenza densa o pastosa, dopo avere rilasciato il vapore, agitare delicatamente la pentola. Quindi rilasciare di nuovo il vapore, se necessario, prima di aprire il coperchio per evitare l'espulsione del cibo.
- Prima di ogni utilizzo, controllare che le valvole non siano ostruite. Vedere le istruzioni per l'uso.

- Non utilizzare mai la pentola a pressione nella sua modalità pressurizzata per friggere o soffriggere.
- Non manomettere i sistemi di sicurezza andando oltre le istruzioni di manutenzione specificate nelle istruzioni per l'uso.



ATTENZIONE

Utilizzare solo il recipiente di cottura destinato a questo apparecchio; l'utilizzo di recipienti di cottura non forniti causerà un errore non ripristinabile.

- Utilizzare solo parti di ricambio Sage® conformi al modello. In particolare, utilizzare un corpo e un coperchio di Sage® indicati come compatibili.
- Prima di usare l'apparecchio per la prima volta, verificare che la tensione della rete corrisponda a quella indicata sull'etichetta dei valori nominali applicata sulla parte inferiore dell'apparecchio. In caso di dubbi, contattare l'azienda fornitrice di elettricità locale.
- Rimuovere e smaltire in sicurezza tutti i materiali di imballaggio prima di utilizzare l'apparecchio per la prima volta.
- Per eliminare il rischio di soffocamento per i bambini, rimuovere e smaltire in sicurezza la copertura protettiva della

- spina di questo apparecchio.
- Prima dell'uso, verificare sempre che l'elettrodomestico sia montato correttamente. Seguire le istruzioni fornite in questo libretto.
 - Inserire sempre l'estremità del connettore del cavo di alimentazione nell'ingresso dell'apparecchio prima di inserire la spina di alimentazione nella presa di corrente e accendere l'apparecchio. Assicurarsi che la presa di ingresso dell'apparecchio sia completamente asciutta prima di inserire l'estremità del connettore del cavo di alimentazione.
 - Evitare di rovesciare liquidi sul connettore.
 - Evitare il contatto con le superfici calde. Durante e dopo il funzionamento le superfici dell'apparecchio sono calde. Per evitare ustioni o lesioni personali, utilizzare sempre presine o guanti da forno isolati, oppure manici o manopole se disponibili.
 - Non posizionare l'apparecchio vicino al bordo di un banco o di un tavolo durante il funzionamento. Assicurarsi che la superficie sia asciutta, piana, pulita e priva di liquidi o altre sostanze.
 - Azionare sempre l'apparecchio su una superficie stabile e resistente al calore. Non utilizzare su una superficie rivestita di tessuto e posizionare l'apparecchio a una distanza minima di 20 cm da pareti, tende, tessuti e altri materiali sensibili al calore.
 - Non collocare l'apparecchio sopra o vicino a un fornello a gas o elettrico caldo o dove potrebbe entrare in contatto con un forno riscaldato.
 - Non azionare l'elettrodomestico sul pianale del lavello.
 - Non mettere la pentola su un piano di lavoro in pietra quando sta cucinando: la pietra è sensibile al calore non uniforme e potrebbe rompersi se riscaldata solo in un punto. Se si desidera utilizzare l'apparecchio su un piano di lavoro, posizionare un tagliere o un tappetino resistente al calore sotto la pentola.
 - Non posizionare nulla, oltre al coperchio, sopra la pentola quando è montata, in uso e riposta.
 - Non utilizzare il manico del coperchio per trasportare l'apparecchio.
 - Prima di inserire la ciotola rimovibile nella base in acciaio inossidabile, assicurarsi che la base della ciotola e la base dell'apparecchio siano asciutte strofinandole con un panno morbido e asciutto.
 - Non utilizzare una ciotola rimovibile danneggiata. Sostituirla prima dell'uso.
 - Non versare alimenti o liquidi direttamente nella base in acciaio inossidabile. Solo

la ciotola rimovibile è progettata per contenere alimenti o liquidi.

- Prima dell'uso, controllare sempre che la valvola di rilascio della pressione e il perno di sicurezza non siano intasati e pulirli se necessario. Assicurarsi che il perno di sicurezza si muova liberamente sotto il coperchio.
- Non toccare la valvola di rilascio della pressione durante l'uso.
- Utilizzare solo il pulsante **STEAM RELEASE** (rilascio vapore) consigliato per depressurizzare la pentola dopo l'uso.
- Non utilizzare prodotti abrasivi aggressivi, detergenti caustici o per forno durante la pulizia dell'apparecchio. Tenere pulito l'apparecchio e fare riferimento alla sezione manutenzione e pulizia.
- Non lasciare l'elettrodomestico incustodito durante il funzionamento.
- Utilizzare la massima cautela quando la pentola contiene alimenti e liquidi caldi e/o è sotto pressione. L'uso improprio può provocare lesioni. Quando l'apparecchio viene usato per la cottura a pressione, lenta o a vapore, assicurarsi che il coperchio sia montato correttamente e fissato in posizione prima dell'utilizzo.
- Non spostare la pentola quando è in funzione.

NORME DI SICUREZZA IMPORTANTI PER TUTTI GLI ELETTRODOMESTICI

- Non utilizzare questo apparecchio se è usurato, è caduto o è stato in qualche modo danneggiato.
- Svolgere completamente il cavo di alimentazione prima dell'uso.
- Evitare che il cavo di alimentazione rimanga sospeso oltre il bordo di un tavolo o un banco da lavoro, tocchi superfici calde o forni nodi.
- Collegare solo a una presa di corrente da 220-240 V.
- Impostare sempre l'apparecchio in posizione OFF, spegnere l'interruttore di alimentazione, rimuovere la spina e lasciare raffreddare tutte le parti prima di spostare l'apparecchio, quando non è in uso, prima di pulirlo e riporlo.
- L'elettrodomestico può essere utilizzato da bambini di età superiore a 8 anni e persone con disabilità fisiche o mentali o prive di esperienza o conoscenza dell'elettrodomestico stesso, a condizione che queste ultime lo utilizzino sotto la supervisione di qualcuno o secondo specifiche istruzioni ricevute in merito all'uso in sicurezza dell'elettrodomestico e che comprendano i rischi associati.
- Non lasciare che i bambini giochino con l'elettrodomestico.

- La pulizia e la manutenzione possono essere eseguite da bambini solo se di età superiore a 8 anni e sotto la supervisione di qualcuno.
- Tenere l'elettrodomestico e il cavo fuori dalla portata dei bambini di età inferiore a 8 anni.
- Si raccomanda di ispezionare regolarmente l'apparecchio. Non utilizzare l'elettrodomestico se il cavo di alimentazione, la spina di alimentazione o l'apparecchio stesso subisce danni. Se l'elettrodomestico è danneggiato o richiede un intervento di manutenzione diverso dalla pulizia, contattare il Servizio clienti Sage o visitare il sito Web.sageappliances.com
- L'utilizzo di estensioni o accessori non venduti o consigliati da Sage® può provocare incendi, scosse elettriche o lesioni.
- Questo apparecchio è destinato esclusivamente all'uso domestico. Non utilizzare questo apparecchio per usi diversi da quello previsto. Non utilizzare su veicoli in movimento o barche. Non utilizzare all'aperto. L'uso non corretto potrebbe provocare lesioni.
- L'apparecchio non è destinato ad essere utilizzato per mezzo di un timer esterno o di un sistema di controllo remoto separato.

- Si consiglia l'installazione di un interruttore salvavita per una maggiore sicurezza durante l'utilizzo di tutti i dispositivi elettrici. È consigliabile che nel circuito elettrico che alimenta l'apparecchio sia installato un interruttore di sicurezza con una corrente di esercizio nominale residua non superiore a 30 mA. Consultare un elettricista per un parere professionale.



Questo simbolo indica che l'apparecchio non può essere smaltito con i rifiuti domestici comuni.

Deve essere conferito presso un centro di smaltimento locale specializzato o presso un rivenditore che fornisce questo servizio. Per ulteriori informazioni, contattare l'ufficio comunale locale.



Per proteggersi dalle scariche elettriche, non immergere la spina, il cavo di alimentazione o l'elettrodomestico in acqua o in qualsiasi altro liquido.

SPECIFICHE

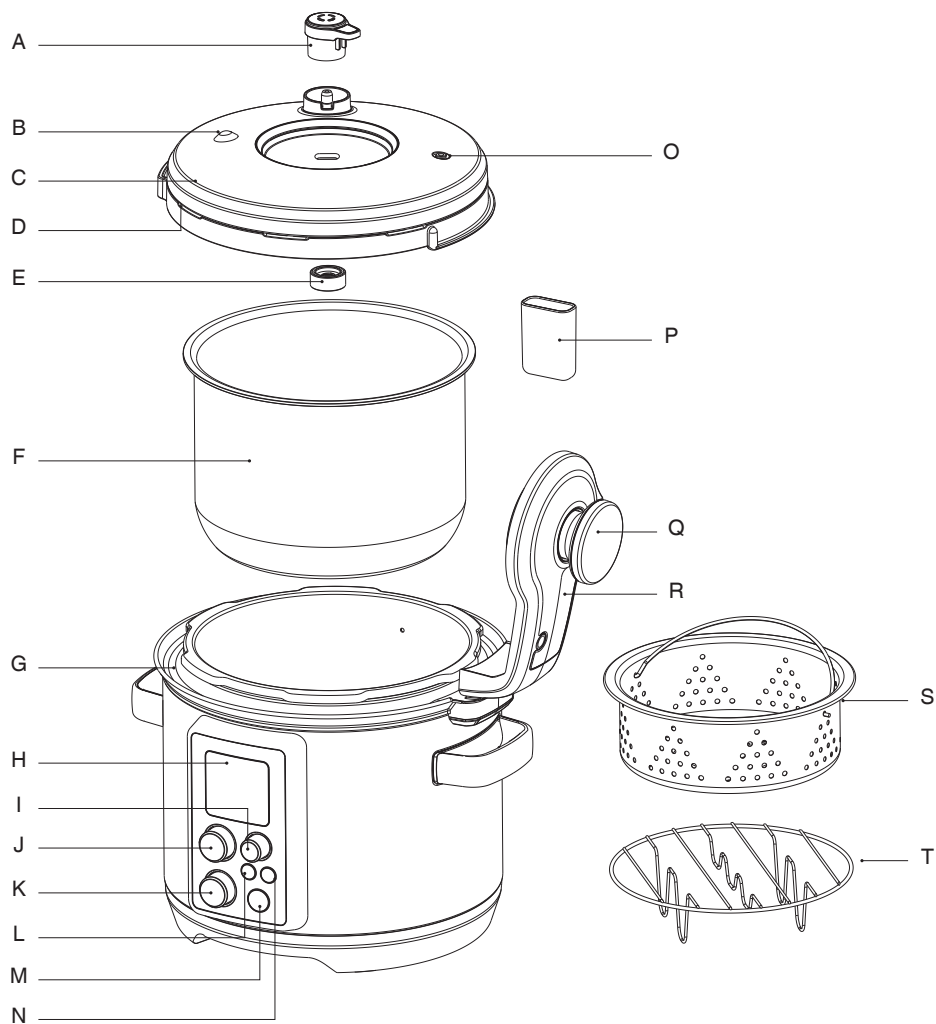
Modello	SPR700
Volume nominale	6 litri
Volume utilizzabile	4 litri
Pressione operativa	80 kPa

Queste specifiche possono variare senza preavviso.

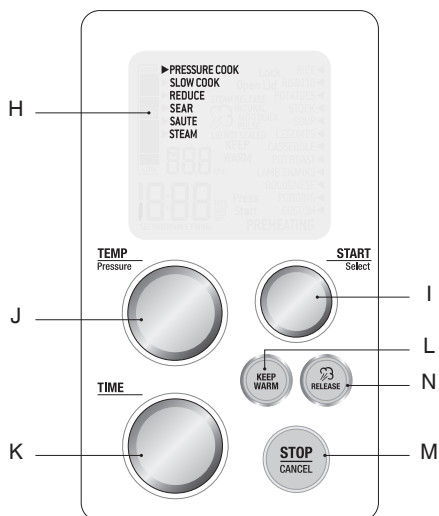
CONSERVARE QUESTE ISTRUZIONI



Componenti



Informazioni sui valori nominali
 220-240 V ~ 50-60 Hz 900-1100 W



- | | |
|---|---|
| A. Valvola di rilascio della pressione | K. Manopola Time (tempo) |
| B. Valvola di sicurezza della pressione | L. Keep Warm (mantieni caldo) |
| C. Coperchio rimovibile lavabile in lavastoviglie | M. Stop/Cancel (stop/annulla) |
| D. Guarnizione del coperchio in silicone | N. Steam release (rilascio vapore) |
| E. Dado di tenuta | O. Perno di sicurezza |
| F. Ciotola da 6L | P. Vaschetta di raccolta della condensa |
| G. Solco facile da pulire | Q. Manopola del coperchio |
| H. LCD interattivo | R. Braccio del coperchio |
| I. Manopola Start/Select (avvia/seleziona) | S. Cestello a vapore inossidabile |
| J. Manipola Temp/Pressure (temperatura/pressione) | T. Sottopentola inossidabile |

INFORMAZIONI IMPORTANTI SULLA SICUREZZA DI FAST SLOW PRO™

Questo apparecchio cuoce sotto pressione e deve essere utilizzato e sottoposto a manutenzione secondo quanto descritto in questo manuale. La pressione dell'aria intrappolata all'interno della pentola a pressione può risultare pericolosa se l'apparecchio non viene utilizzato e sottoposto a manutenzione secondo quanto descritto in questo manuale.

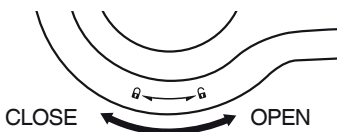
CAPACITÀ DELLA CIOTOLA

- Assicurarsi che il livello di liquido o alimenti nella ciotola rimovibile rispetti sempre i limiti.
- Livello 'MAX' - Non superare il livello di riempimento massimo. Un riempimento eccessivo può causare lesioni personali o danni alle cose o compromettere l'uso sicuro della pentola.
- Livello '1/2' - Da utilizzare quando si cuociono alimenti che si espandono (come verdure essiccate, fagioli, cereali, riso ecc.) NON riempire oltre il livello di riempimento medio.
- Livello 'MIN' - Assicurarsi che la ciotola rimovibile sia riempita almeno al livello minimo per garantire il corretto funzionamento ed evitare danni termici e incendi.

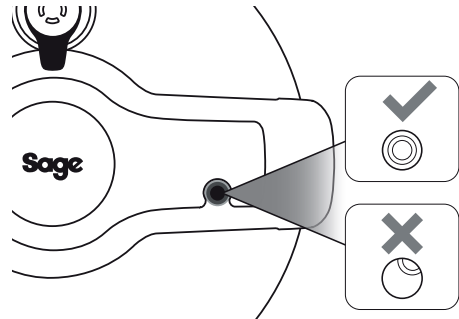
NON FORZARE MAI LA CHIUSURA DEL COPERCHIO.

CHIUSURA DEL COPERCHIO

- Assicurarsi che la guarnizione del coperchio in silicone sia inserita correttamente attorno alla ghiera a filo nella parte inferiore del coperchio e che il perno di sicurezza si muova liberamente.
- Abbassare il coperchio nella posizione chiusa. Ruotare la manopola del coperchio in senso orario verso il simbolo del lucchetto chiuso. Il coperchio deve chiudersi e bloccarsi in posizione con facilità e senza sforzo. **NON TIRARE O FORZARE IL COPERCHIO PER CHIUDERE.** La pentola emette un segnale acustico quando il coperchio si chiude.



- Assicurarsi sempre che il perno di sicurezza sia allineato correttamente all'interno dell'apertura del braccio del coperchio e non sia costretto in alcun modo.



NOTA

Se il contenuto della pentola è caldo quando si chiude il coperchio, può essere necessario premere leggermente sulla manopola del coperchio mentre questo è ancora nella posizione di sblocco per consentirgli di girare facilmente.

RILASCIO AUTOMATICO DEL VAPORE

La pentola è dotata di un dispositivo automatico che rilascia occasionalmente il vapore mentre la pentola si pressurizza e avvia automaticamente il ciclo di rilascio del vapore al termine della cottura.

- Tenere sempre mani, braccia e viso lontano dalla valvola di rilascio della pressione.

Oltre al rilascio automatico del vapore, è possibile rilasciare la pressione premendo il pulsante **RELEASE** (rilascio) o ruotando manualmente la valvola di rilascio della pressione.

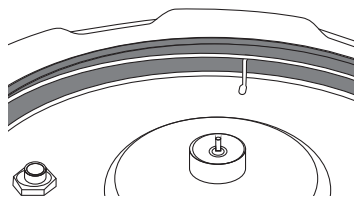
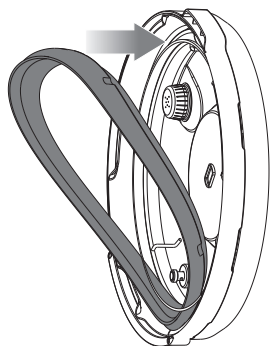
APERTURA DEL COPERCHIO

- Ruotare la manopola del coperchio in senso antiorario verso il simbolo del lucchetto aperto. La pentola emetterà un segnale acustico quando il coperchio si sblocca.
- Se tutta la pressione interna è stata rilasciata il coperchio dovrebbe aprirsi facilmente. Non forzare mai l'apertura del coperchio.
- Se il coperchio non si sblocca o se si incontra resistenza, può significare che la pentola è ancora in pressione. Premere e tenere premuto il pulsante RELEASE (rilascio) finché tutta la pressione interna viene rilasciata e il coperchio si apre facilmente.

NON FORZARE MAI L'APERTURA DEL COPERCHIO.

PREPARAZIONE DI THE FAST SLOW PRO™

1. Rimuovere e smaltire in modo sicuro i materiali di imballaggio, le etichette promozionali e il nastro adesivo dalla pentola.
2. Aprire il coperchio ruotando la manopola in senso antiorario e sollevandolo verso l'alto e fuori dall'apparecchio finché si trova nella posizione di apertura a cerniera. Svitare e rimuovere il dado di tenuta dal centro del coperchio e tirare via il coperchio per staccarlo dal braccio.
3. Lavare il coperchio, la ciotola rimovibile e la guarnizione in silicone del coperchio in acqua calda e sapone, quindi sciacquare e asciugare accuratamente. Pulire l'interno e l'esterno della pentola con un panno morbido umido, quindi asciugare bene.
4. La guarnizione del coperchio in silicone è reversibile e può essere inserita in entrambe le direzioni. Inserire la guarnizione del coperchio in silicone attorno al bordo esterno della ghiera a filo nella parte inferiore del coperchio. Assicurarsi che sia inserita completamente e che risulti piatta sotto la ghiera a filo.



5. Il coperchio può essere inserito solo in un senso e deve essere montato correttamente affinché la pentola funzioni. Posizionare il coperchio in modo che il tappo della valvola di rilascio del vapore si trovi sul retro della pentola (Immagine A). Allineare il centro del coperchio con il bullone sul lato inferiore del braccio del coperchio (Immagine B) e premerlo in posizione per esporre la filettatura della vite. Avvitare il dado di tenuta, con l'anello rosso che tocca il coperchio, sul bullone per fissare il coperchio. Una volta assemblato, assicurarsi che la valvola di rilascio del vapore sia posizionata correttamente e rivolta verso la manopola del coperchio.

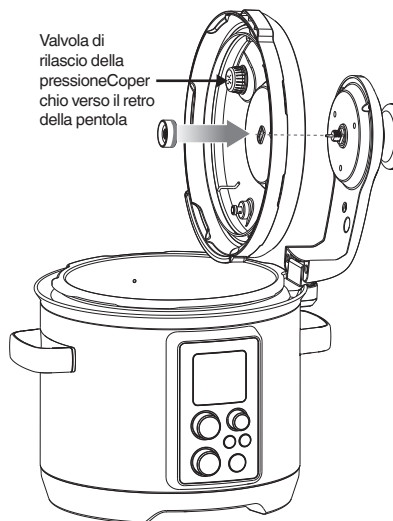


Immagine A

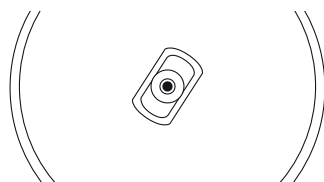
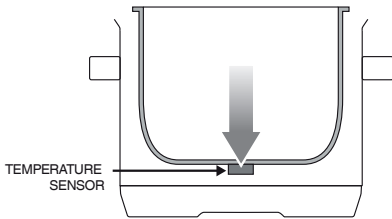
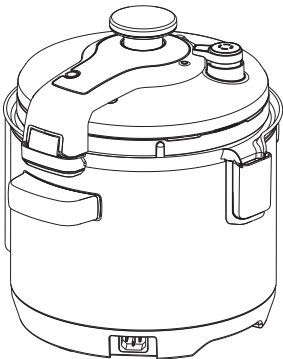
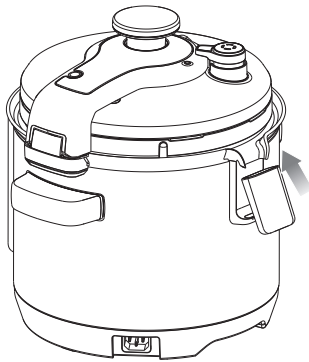


Immagine B

6. Pulire e asciugare la parte inferiore della ciotola rimovibile e il sensore di temperatura, controllando che non vi siano materiali indesiderati sulla superficie. La ciotola rimovibile deve essere appoggiata sul sensore di temperatura per garantire un contatto corretto.



7. Far scattare in posizione la vaschetta di raccolta della condensa.



8. Inserire l'estremità del connettore del cavo di alimentazione nella base della pentola, assicurandosi che sia completamente asciutto. Inserire la spina di alimentazione in una presa di corrente da 220-240 V.
9. La pentola emette un segnale acustico e il display LCD si illumina. Vengono visualizzate le opzioni di impostazione con un indicatore sull'impostazione PRESSURE COOK (cottura a pressione).



Funzioni

IMPOSTAZIONI SMART

The Fast Slow Pro™ comprende 6 impostazioni Smart: Pressure Cook, Slow Cook, Reduce, Sear, Sauté e Steam (cottura a pressione, cottura lenta, riduzione, rosolatura, sauté e vapore). Alle impostazioni di cottura a pressione e lenta è associato un elenco di tipi di alimenti comunemente utilizzati con tempi di cottura e livelli di temperatura/pressione predeterminati per fornire i migliori risultati. È consigliabile comunque sperimentarli a seconda della ricetta, della quantità di cibo e del gusto personale. In alternativa, è possibile selezionare l'impostazione CUSTOM (personalizzata) per selezionare i tempi di cottura e i livelli di temperatura/pressione desiderati.

L'impostazione CUSTOM (personalizzata) rimarrà memorizzata nella pentola. Per ripristinare le impostazioni di fabbrica, spegnere l'interruttore di alimentazione e tenere premuto START/SELECT (avvia/seleziona) mentre si riaccende l'interruttore.

RILASCIO AUTOMATICO DEL VAPORE VARIABILE

The Fast Slow Pro™ comprende 3 metodi di rilascio del vapore:

Auto Quick (veloce automatico)

La pressione viene rilasciata rapidamente per minimizzare la cottura eccessiva di alimenti o ricette con tempi di cottura brevi.

Auto Pulse (intermittente automatico)

La pressione viene rilasciata in modo intermittente per ridurre l'impatto sugli alimenti all'interno.

Natural (naturale)

La pressione si abbassa naturalmente all'interno senza rilasciare il vapore attraverso lo sfianto, per evitare lo sfaldamento o la rottura di ingredienti delicati come brodi e fagioli durante il rilascio della pressione.

Questi metodi possono essere selezionati utilizzando il pulsante STEAM RELEASE (rilascio vapore) sul pannello di controllo durante i cicli di configurazione e rilascio del vapore. Dopo la selezione, la valvola di rilascio della pressione rilascerà automaticamente il vapore al termine del ciclo di cottura a pressione.

Tenendo premuto il pulsante di rilascio del vapore durante o dopo un ciclo di cottura si aprirà la valvola di rilascio della pressione.





ATTENZIONE

Tenere sempre mani e viso lontani dalla valvola di rilascio della pressione quando si cuoce a pressione, perché durante il funzionamento possono verificarsi fuoriuscite di vapore e acqua bollenti.

REGOLAZIONE DELL'ALTITUDINE

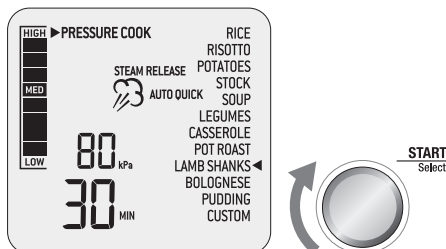
La pressione si sviluppa e aumenta quando la temperatura all'interno del recipiente di cottura supera il punto di ebollizione. Con l'aumentare dell'altitudine, la temperatura di ebollizione dell'acqua diminuisce a causa della minore pressione dell'aria. Questo crea condizioni molto diverse per la cottura quando si utilizza una pentola a pressione.

Per mantenere gli stessi risultati di cottura ad altitudini diverse, the Fast Slow Pro™ ha una funzione di regolazione dell'altitudine che consente di modificare le impostazioni in base all'altitudine della posizione corrente.

1. Per accedere alla modalità di regolazione dell'altitudine, tenere premuto STOP/CANCEL (stop/annulla) per attivare la modalità standby. La retroilluminazione del pulsante si spegne e il display LCD non si illumina più.
2. Una volta in standby, tenere premuti i pulsanti KEEP WARM (mantieni caldo) e STEAM RELEASE (rilascio vapore) contemporaneamente per 2 secondi.
3. Ruotare la manopola TIME (tempo) per immettere l'altitudine della posizione corrente. L'altitudine può essere regolata da 250 a 1.999 m. La pentola a pressione non deve essere utilizzata ad altitudini superiori a 2.000 m.
4. Premere la manopola START/SELECT (avvia/selezione) per confermare.
5. Ora le impostazioni della pentola sono impostate in base all'altitudine corrente. Per reimpostare l'altitudine sul livello del mare (impostazioni di fabbrica), spegnere l'interruttore di alimentazione e tenere premuto START/SELECT (avvia/selezione) mentre si riaccende l'interruttore.

COTTURA A PRESSIONE

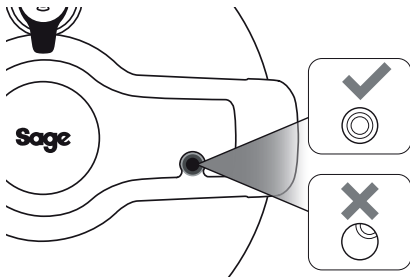
1. Ruotare la manopola START/SELECT (avvia/selezione) fino a quando l'indicatore raggiunge l'impostazione PRESSURE COOK (cottura a pressione). Premere la manopola START/SELECT (avvia/selezione) per confermare.
2. Ruotare la manopola START/SELECT (avvia/selezione) fino a quando l'indicatore sulla destra del display LCD mostra l'impostazione desiderata.



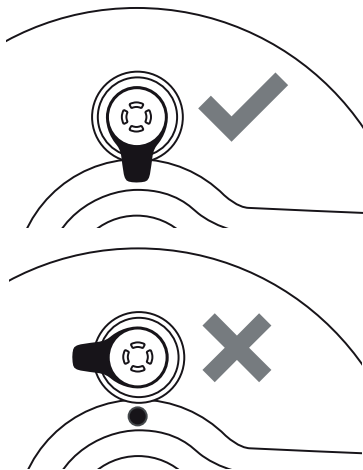
3. Il numero in alto sul display LCD indica il livello di pressione preimpostato per l'impostazione selezionata. Ruotare la manopola TEMP/PRESSURE (temperatura/pressione) verso sinistra per ridurre la pressione o verso destra per aumentarla. La pressione può essere regolata da 20 kPa (LOW, bassa) a 80 kPa (HIGH, alta).
4. Il numero in basso sul display LCD indica il tempo di cottura preimpostato per l'impostazione selezionata. Ruotare la manopola TIME (tempo) verso sinistra per ridurre il tempo di cottura o verso destra per aumentarlo. Il tempo può essere regolato fino a 2 ore.
5. L'icona del vapore sul display LCD indica il metodo di rilascio del vapore preimpostato per l'impostazione selezionata. Premere il pulsante STEAM RELEASE (rilascio vapore) per selezionare AUTO QUICK (veloce automatico), AUTO PULSE (intermittente automatico) o NATURAL (naturale).
6. Mettere gli alimenti nella ciotola rimovibile. Assicurarsi che ci sia almeno 1 litro di alimenti e liquido combinati nella ciotola.



7. Chiudere il coperchio e ruotare la manopola del coperchio in senso orario per bloccarlo in posizione. La pentola emetterà un segnale acustico quando il coperchio si blocca. Controllare che il perno di sicurezza sia allineato correttamente all'interno dell'apertura del braccio del coperchio e non sia costretto in alcun modo.



8. Assicurarsi che la valvola di rilascio del vapore sia posizionata sul coperchio, sia inserita correttamente e rivolta verso la manopola del coperchio.



9. Premere la manopola START/SELECT (avvia/selezione) per iniziare la cottura. Il pulsante STOP/CANCEL (stop/annulla) si illumina in rosso, il display LCD si illumina in arancione, viene visualizzata l'indicazione PREHEATING (preriscaldamento) e la barra sinistra inizia a salire, per indicare che la pentola sta aumentando la pressione.



NOTA

È normale che la pentola rilasci piccoli getti di vapore mentre stabilizza la pressione interna.

10. Se il coperchio non è stato bloccato correttamente, sul display LCD viene visualizzato LOCK LID (blocca coperchio). Ruotare la manopola del coperchio in senso orario per bloccare il coperchio in posizione e iniziare la cottura.
11. Una volta che la pentola è entrata in pressione, l'indicazione PREHEATING (preriscaldamento) si spegne, viene emesso un segnale acustico, il timer inizia il conteggio alla rovescia mentre la barra di pressione indica la pressione corrente nel recipiente.
12. Il tempo può essere regolato durante il ciclo di cottura a pressione ruotando la manopola TIME (tempo). Il ciclo può essere sospeso in qualsiasi momento premendo il pulsante STOP/CANCEL (stop/annulla). Per terminare il ciclo, tenere premuto STOP/CANCEL (stop/annulla) per 2 secondi.
- Se c'è già pressione nel recipiente, passerà immediatamente al ciclo di rilascio del vapore.
13. Al termine del ciclo di cottura a pressione, la pentola emette un segnale acustico e il vapore viene rilasciato automaticamente attraverso la valvola di rilascio della pressione. L'icona del vapore lampeggia, il timer inizia il conteggio alla rovescia e la barra di pressione diminuisce, indicando la pressione corrente nel recipiente. Se è stato selezionato il metodo di rilascio del vapore NATURAL (naturale), la pressione diminuirà naturalmente nel recipiente senza forzare il vapore attraverso la valvola di rilascio della pressione. L'impostazione di rilascio del vapore può essere modificata durante il ciclo di rilascio del vapore premendo il pulsante STEAM RELEASE (rilascio vapore).
14. Al termine del ciclo di rilascio del vapore, la pentola emette un segnale acustico, il display LCD si illumina in blu e il timer inizia il conteggio alla rovescia.
15. Aprire il coperchio ruotando la manopola in senso orario e sollevandolo con attenzione verso l'alto nella posizione di apertura a cerniera.
16. Dopo 5 minuti di inattività, viene attivata la modalità standby. La retroilluminazione del pulsante si spegne e il display LCD non si illumina più.



ATTENZIONE

Per evitare ustioni causate dalla fuoriuscita di vapore, non mettere mai il viso o le mani sopra la pentola quando si rimuove il coperchio.

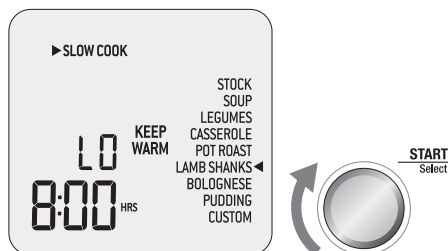


NOTA

Se il coperchio non si sblocca, significa che l'apparecchio è ancora in pressione. Non forzare l'apertura del coperchio perché la pressione residua può essere pericolosa. Premere il pulsante STEAM RELEASE (rilascio vapore) finché tutta la pressione interna viene rilasciata e il coperchio si apre facilmente.

SLOW COOK (COTTURA LENTA)

1. Ruotare la manopola START/SELECT (avvia/selezione) fino a quando l'indicatore raggiunge l'impostazione SLOW COOK (cottura lenta). Premere la manopola START/SELECT (avvia/selezione) per confermare.
2. Ruotare la manopola START/SELECT (avvia/selezione) fino a quando l'indicatore sulla destra del display LCD mostra l'impostazione desiderata.



3. Il numero in alto sul display LCD indica la temperatura preimpostata per l'impostazione selezionata. Ruotare la manopola TEMP/PRESSURE (temperatura/pressione) verso sinistra per ridurre la temperatura o verso destra per aumentarla. La temperatura può essere regolata su uno dei due valori preimpostati: LO (bassa) o HI (alta).
4. Il numero in basso sul display LCD indica il tempo di cottura preimpostato per l'impostazione selezionata. Ruotare la manopola TIME (tempo) verso sinistra per ridurre il tempo di cottura o verso destra per aumentarlo. Il tempo può essere regolato tra 2 e 12 ore.
5. KEEP WARM (mantieni caldo) indica che la funzione KEEP WARM si attiverà automaticamente al termine del ciclo SLOW COOK (cottura lenta). Premere il pulsante KEEP WARM (mantieni caldo) sul pannello di controllo per selezionare o deselezionare la funzione.

6. Mettere gli alimenti nella ciotola rimovibile. Assicurarsi che ci sia almeno 1 litro di alimenti e liquido combinati nella ciotola.



7. Chiudere il coperchio, ruotare e allineare per fissare in posizione.
8. Assicurarsi che il peso della valvola di rilascio della pressione sia sul coperchio e in posizione di chiusura.
9. Premere la manopola START/SELECT (avvia/selezione) per iniziare la cottura. Il pulsante STOP/CANCEL (stop/annulla) si illumina in rosso e il display LCD si illumina in arancione.
10. Il timer viene visualizzato e inizia automaticamente il conteggio alla rovescia. Il tempo può essere regolato durante il ciclo SLOW COOK ruotando la manopola TIME (tempo). Il ciclo può essere sospeso in qualsiasi momento premendo il pulsante STOP/CANCEL (stop/annulla). Per terminare il ciclo, tenere premuto STOP/CANCEL (stop/annulla) per 2 secondi.
11. Al termine del ciclo slow cook, la pentola passa automaticamente alla funzione KEEP WARM (mantieni caldo). Lo schermo LCD visualizza KEEP WARM (mantieni caldo) e il timer inizia il conteggio fino a un massimo di 2 ore. Il ciclo KEEP WARM (mantieni caldo) può essere sospeso in qualsiasi momento premendo il pulsante STOP/CANCEL (stop/annulla).
12. Se la funzione KEEP WARM (mantieni caldo) non è stata selezionata, la pentola emette un segnale acustico, il pulsante STOP/CANCEL (ferma/annulla) si spegne e lo schermo LCD si illumina in blu.
13. Dopo 5 minuti di inattività, viene attivata la modalità standby. La retroilluminazione del pulsante si spegne e il display LCD non si illumina più.

REDUCE

L'impostazione REDUCE (riduci) è ideale per addensare e intensificare il sapore di salse, sciroppi e brodi.

1. Ruotare la manopola START/SELECT (avvia/selezione) fino a quando l'indicatore raggiunge l'impostazione REDUCE (riduci). Premere la manopola START/SELECT (avvia/selezione) per confermare.

2. Il numero in alto sul display LCD indica la temperatura preimpostata per l'impostazione REDUCE (riduci). Ruotare la manopola TEMP/PRESSURE (temperatura/pressione) verso sinistra per ridurre la temperatura o verso destra per aumentarla. La temperatura può essere regolata su uno dei tre valori preimpostati: LO (bassa), MED (media) o HI (alta).
3. Il numero in basso sul display LCD indica il tempo di cottura preimpostato per l'impostazione REDUCE (riduci). Ruotare la manopola TIME (tempo) verso sinistra per ridurre il tempo di cottura o verso destra per aumentarlo. Il tempo può essere regolato fino a 2 ore.
4. Inserire il liquido da ridurre nella ciotola rimovibile.



NOTA

Se si intende ridurre la salsa ottenuta con cottura a pressione e lenta, rimuovere la carne o le verdure cotte.

Una volta che la salsa ha raggiunto consistenza e sapore desiderati, rimettere la carne nella pentola e farla scaldare per qualche minuto prima di servirla.

5. Premere la manopola START/SELECT (avvia/seleziona) per iniziare la cottura. Il pulsante STOP/CANCEL (stop/annulla) si illumina in rosso e il display LCD si illumina in arancione e visualizza la scritta PREHEATING (preriscaldamento).
6. Tenere il coperchio nella posizione di apertura a cerniera. Se il coperchio non è stato aperto, la pentola emette un segnale acustico e sul display LCD viene visualizzato OPEN LID (aprire coperchio).
7. Quando la pentola ha raggiunto la temperatura desiderata, l'indicazione PREHEATING (preriscaldamento) scompare.
8. Il timer inizia il conteggio alla rovescia. Il tempo può essere regolato durante il ciclo di riduzione ruotando la manopola TIME (tempo). Il ciclo può essere sospeso in qualsiasi momento premendo il pulsante STOP/CANCEL (stop/annulla). Per terminare il ciclo, tenere premuto STOP/CANCEL (stop/annulla) per 2 secondi.
9. Al termine del ciclo di riduzione, la pentola emette un segnale acustico, il pulsante STOP/CANCEL (stop/annulla) si spegne e lo schermo LCD si illumina in blu.
10. Dopo 5 minuti di inattività, viene attivata la modalità standby. La retroilluminazione del pulsante si spegne e il display LCD non si illumina più.

SEAR

L'impostazione SEAR (rosolatura) è pensata per intensificare il sapore delle pietanze utilizzando la stessa ciotola per caramellare e rosolare gli alimenti prima della cottura a pressione o lenta.

1. Ruotare la manopola START/SELECT (avvia/seleziona) fino a quando l'indicatore raggiunge l'impostazione SEAR (rosolatura). Premere la manopola START/SELECT (avvia/seleziona) per confermare.
2. Il pulsante STOP/CANCEL (stop/annulla) si illumina in rosso e il display LCD si illumina in arancione e visualizza la scritta PREHEATING (preriscaldamento).
3. Tenere il coperchio nella posizione di apertura a cerniera. Se il coperchio non è stato aperto, la pentola emette un segnale acustico e sul display LCD viene visualizzato OPEN LID (aprire coperchio).
4. Quando la pentola ha raggiunto la temperatura desiderata, l'indicazione PREHEATING (preriscaldamento) scompare. Mettere gli alimenti da cucinare nella ciotola rimovibile.
5. Il timer inizia il conteggio fino a un massimo di 45 minuti. Il ciclo può essere sospeso in qualsiasi momento premendo il pulsante STOP/CANCEL (stop/annulla). Per terminare il ciclo, tenere premuto STOP/CANCEL (stop/annulla) per 2 secondi.
6. Al termine del ciclo di rosolatura, la pentola emette un segnale acustico, il pulsante STOP/CANCEL (stop/annulla) si spegne e lo schermo LCD si illumina in blu.
7. Dopo 5 minuti di inattività, viene attivata la modalità standby. La retroilluminazione del pulsante si spegne e il display LCD non si illumina più.

SAUTÉ

L'impostazione SAUTÉ è ideale per ammorbidire e caramellare aglio, cipolle e pezzi di alimenti più piccoli prima della cottura a pressione o lenta.

1. Ruotare la manopola START/SELECT (avvia/seleziona) fino a quando l'indicatore raggiunge l'impostazione SAUTÉ. Premere la manopola START/SELECT (avvia/seleziona) per confermare.
2. Il numero in alto sul display LCD indica la temperatura preimpostata per l'impostazione SAUTÉ. Ruotare la manopola TEMP/PRESSURE (temperatura/pressione) verso sinistra per ridurre la temperatura o verso destra per aumentarla. La temperatura può essere regolata su uno dei tre valori preimpostati: LO (bassa), MED (media) o HI (alta).

3. Premere la manopola START/SELECT (avvia/seleziona) per iniziare la cottura. Il pulsante STOP/CANCEL (stop/annulla) si illumina in rosso e il display LCD si illumina in arancione e visualizza la scritta PREHEATING (preriscaldamento).
4. Tenere il coperchio nella posizione di apertura a cerniera. Se il coperchio non è stato aperto, la pentola emette un segnale acustico e sul display LCD viene visualizzato OPEN LID (aprire coperchio).
5. Quando la pentola ha raggiunto la temperatura desiderata, l'indicazione PREHEATING (preriscaldamento) scompare. Mettere gli alimenti da cucinare nella ciotola rimovibile.
6. Il timer inizia il conteggio. Il ciclo può essere sospeso in qualsiasi momento premendo il pulsante STOP/CANCEL (stop/annulla). Per terminare il ciclo, tenere premuto STOP/CANCEL (stop/annulla) per 2 secondi.
7. Al termine del ciclo sauté, la pentola emette un segnale acustico, il pulsante STOP/CANCEL (stop/annulla) si spegne e lo schermo LCD si illumina in blu.
8. Dopo 5 minuti di inattività, viene attivata la modalità standby. La retroilluminazione del pulsante si spegne e il display LCD non si illumina più.
6. Chiudere il coperchio, ruotare e allineare per fissare in posizione.
7. Togliere il peso della valvola di rilascio del vapore dal coperchio.
8. Premere la manopola START/SELECT (avvia/seleziona) per iniziare la cottura. Il pulsante STOP/CANCEL (stop/annulla) si illumina in rosso e il display LCD si illumina in arancione e visualizza la scritta PREHEATING (preriscaldamento).
9. Quando la pentola ha raggiunto la temperatura desiderata, l'indicazione PREHEATING (preriscaldamento) scompare.
10. Il timer inizia il conteggio fino a un massimo di 45 minuti. Il tempo può essere regolato durante il ciclo di vapore ruotando la manopola TIME (tempo). Il ciclo può essere sospeso in qualsiasi momento premendo il pulsante STOP/CANCEL (stop/annulla). Per terminare il ciclo, tenere premuto STOP/CANCEL (stop/annulla) per 2 secondi.
11. Al termine del ciclo di vapore, la pentola emette un segnale acustico, il pulsante STOP/CANCEL (stop/annulla) si spegne e lo schermo LCD si illumina in blu.
12. Se è necessaria un'ulteriore cottura al vapore, controllare i livelli dell'acqua e rabboccare se necessario.
13. Dopo 5 minuti di inattività, viene attivata la modalità standby. La retroilluminazione del pulsante si spegne e il display LCD non si illumina più.

STEAM

L'impostazione STEAM (vapore) è ideale per cuocere a vapore verdure, filetti di pesce, gnocchi o ravioli ripieni e per riscaldare le pietanze.

1. Ruotare la manopola START/SELECT (avvia/seleziona) fino a quando l'indicatore raggiunge l'impostazione STEAM (vapore). Premere la manopola START/SELECT (avvia/seleziona) per confermare.
2. Il numero in basso sul display LCD indica il tempo di cottura preimpostato per l'impostazione STEAM (vapore). Ruotare la manopola TIME (tempo) verso sinistra per ridurre il tempo di cottura o verso destra per aumentarlo. Il tempo può essere regolato fino a 1 ora.
3. Riempire la ciotola rimovibile con acqua fino al segno del livello minimo. Durante la cottura a vapore, controllare il livello dell'acqua e aggiungerne quando necessario.
4. Inserire il sottopentola nella ciotola e posizionare il cestello per la cottura a vapore sopra di esso. Se si riscaldano pietanze, posizionare il piatto sopra il sottopentola.
5. Disporre gli alimenti sulla pentola lasciando 1 cm di spazio tra di essi, in modo che il vapore possa fluire uniformemente su tutti i lati.



Manutenzione e pulizia

La ciotola, il corpo esterno, il coperchio e gli accessori devono essere accuratamente puliti prima di ogni utilizzo.

Prima di eseguire la pulizia, assicurarsi che la pentola sia spenta tenendo premuto il pulsante STOP/CANCEL (stop/annulla) sul pannello di controllo. La pentola è spenta quando il pulsante non è più retroilluminato.

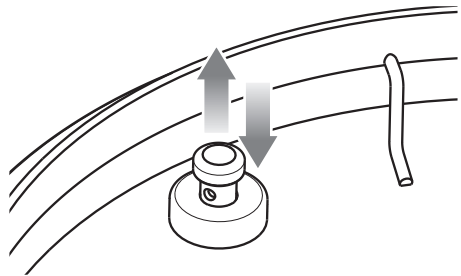
Rimuovere la spina dalla presa di corrente e rimuovere l'estremità del connettore del cavo di alimentazione dalla base della pentola. Lasciare raffreddare completamente la pentola e tutti gli accessori prima di smontarli e pulirli.

PULIZIA DELLA CIOTOLA E DEL CORPO ESTERNO

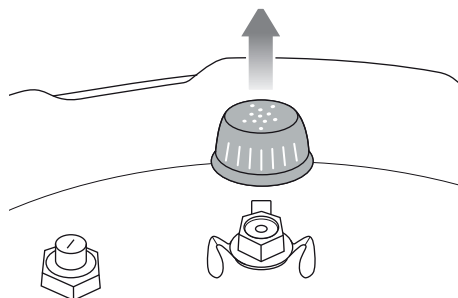
1. Il cestello rimovibile è lavabile in lavastoviglie. Tuttavia, per mantenere intatto il rivestimento in ceramica, si consiglia di lavare il cestello in acqua calda e sapone con un detergente domestico delicato. Risciacquare con acqua pulita e asciugare accuratamente.
2. Pulire l'interno e il corpo esterno con una spugna morbida e umida. Per evitare l'accumulo di macchie è possibile utilizzare un detergente liquido non abrasivo o una soluzione spray leggera. Applicare il detergente sulla spugna, non sulla superficie della pentola, prima di pulire.
3. Rimuovere la vaschetta di raccolta della condensa tirando delicatamente il fondo lontano dal corpo. Lavare con acqua calda e sapone, sciacquare con acqua pulita, asciugare accuratamente e far scattare di nuovo in posizione.
4. Pulire il display LCD con un panno morbido umido. La pulizia con un panno asciutto o detersivi abrasivi può graffiare la superficie.
5. Lasciare asciugare completamente tutte le superfici prima di inserire la spina in una presa di corrente e accendere la pentola.

PULIZIA DEL COPERCHIO

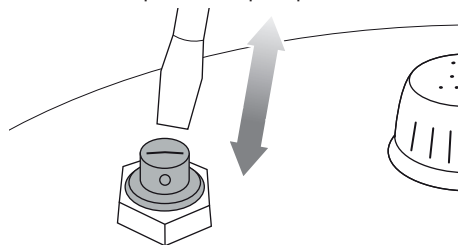
1. Rimuovere la valvola di rilascio della pressione dal coperchio.
2. Aprire il coperchio ruotando la manopola in senso antiorario e sollevarlo verso l'alto e fuori dall'apparecchio finché non si trova nella posizione di apertura a cerniera. Svitare e rimuovere il dado di tenuta dal centro del coperchio e tirare via il coperchio per staccarlo dal braccio.
3. Estrarre delicatamente la guarnizione del coperchio in silicone dalla ghiera a filo nella parte inferiore del coperchio.
4. Lavare il dado di tenuta e la valvola di rilascio della pressione in acqua calda e sapone. Risciacquare con acqua pulita e asciugare accuratamente.
5. Lavare la guarnizione del coperchio in silicone e il coperchio sul cestello superiore della lavastoviglie. In alternativa, lavare con acqua calda e sapone, sciacquare con acqua pulita e asciugare accuratamente.
6. Dopo aver pulito il coperchio, ispezionare regolarmente e controllare che:
 - a) Il perno di sicurezza si muova su e giù liberamente. Rimuovere sempre qualsiasi residuo di olio o cibo rimasto in questa area.



- b) La valvola di rilascio della pressione e il coperchio siano puliti e privi di cibo o liquidi. Per pulirli, ruotare e togliere il coperchio della valvola di rilascio della pressione dal coperchio, pulire con un panno insaponato, risciacquare e asciugare accuratamente. Rimettere il coperchio nella posizione originale.



- c) La valvola di sicurezza della pressione sia pulita e priva di alimenti o liquidi. Per pulire, spingere la valvola dall'interno in modo che rimanga aperta sul coperchio e rimuovere eventuali residui di olio o cibo. Assicurarsi che la valvola si muova dentro e fuori senza problemi dopo la pulizia.



7. Rimettere la guarnizione del coperchio in silicone pulita intorno alla ghiera a filo nella parte inferiore del coperchio. Regolare la posizione se necessario in modo che sia inserita correttamente e priva di distorsioni.
8. Per rimontare il coperchio, orientarlo in modo che l'alloggiamento della valvola di rilascio del vapore si trovi sul retro dell'unità, quindi allineare il centro del coperchio con il bullone sul lato inferiore del braccio del coperchio e spingere in posizione per esporre la filettatura della vite. Fissare il coperchio avvitando il dado di tenuta in modo che la guarnizione rossa tocchi la superficie del coperchio.

PULIZIA DEL CESTELLO PER COTTURA A VAPORE E DEL SOTTOPENTOLA

1. Lavare tutti gli accessori in acqua calda e sapone con una spugna morbida o un panno di plastica morbido. Sciacquare e asciugare completamente. Non utilizzare detergenti abrasivi, spugne metalliche o utensili di metallo per pulire gli accessori in quanto potrebbero danneggiare le superfici.
2. Per prolungare la durata degli accessori si sconsiglia di lavarli in lavastoviglie.



SUGGERIMENTO

Per eliminare gli odori di cibo, versare 2 tazze (500 ml) di acqua calda, ½ tazza (125 ml) di succo di limone, 1 cucchiaino di scorza di limone e 1 cucchiaino di estratto di vaniglia nella ciotola rimovibile. Cuocere a pressione a 80 kPa per 5 minuti utilizzando il rilascio di vapore naturale.

CONSERVAZIONE

1. Assicurarsi che la pentola sia spenta premendo il pulsante STOP/CANCEL (stop/annulla) sul pannello di controllo. La pentola è spenta quando il pulsante non è più retroilluminato.
2. Scollegare il cavo di alimentazione dalla presa di corrente. Lasciare raffreddare completamente la pentola e tutti gli accessori prima di smontarli e pulirli.
3. Assicurarsi che la pentola e tutti gli accessori siano puliti e asciutti.
4. Assicurarsi che la ciotola sia inserita nella pentola e che il sottopentola sia inserito nel vassoio per la cottura a vapore e inserito nella ciotola.
5. Assicurarsi che il coperchio sia chiuso e bloccato in posizione.
6. Conservare l'elettrodomestico in posizione verticale e piana sulle gambe di supporto. Non riporre nulla sopra l'apparecchio.



Risoluzione dei problemi

PROBLEMA

SOLUZIONE SEMPLICE

Il coperchio non si apre alla fine del ciclo di cottura

- Premere il pulsante STEAM RELEASE (rilascio vapore) finché tutta la pressione interna viene rilasciata e la pentola può essere aperta.
- Una volta che tutta la pressione interna è stata rilasciata utilizzando il pulsante STEAM RELEASE (rilascio vapore), ruotare la valvola di rilascio della pressione in posizione aperta, allontanandola dalla manopola del coperchio.
- Se ciò accade spesso, potrebbe essere necessario regolare la pentola in base all'altitudine effettiva. Seguire le istruzioni riportate nella sezione "Regolazione dell'altitudine" a pagina 12.

Viene visualizzato Open Lid (aprire coperchio) sul display LCD quando il coperchio è aperto

- Ruotare la manopola del coperchio in senso orario e antiorario.

**Fuoriesce vapore dal coperchio
OPPURE
Il perno di sicurezza non sale
OPPURE
La pentola non va in pressione
OPPURE**

Il timer non effettua il conteggio alla rovescia

- Montare il coperchio correttamente controllando che non vi sia spazio tra il braccio del coperchio e il coperchio in acciaio inossidabile. Il dado di tenuta deve essere avvitato saldamente. Seguire il passaggio 5 a pagina 10.
- Assicurarsi che la guarnizione del coperchio in silicone sia pulita, esente da danni o incrinature e sia inserita correttamente. Seguire il passaggio 4 a pagina 10.
- Assicurarsi che il perno di sicurezza si muova liberamente su e giù. Seguire il passaggio 4 a pagina 17.
- Quando il coperchio è chiuso, assicurarsi che il perno di sicurezza sia allineato correttamente all'interno dell'apertura del braccio del coperchio. Seguire il passaggio 7 a pagina 13.
- Assicurarsi che la valvola di rilascio della pressione sia inserita correttamente e rivolta verso la manopola del coperchio. Seguire il passaggio 8 a pagina 13.
- Aggiungere più liquido/alimenti nella ciotola. Il contenuto minimo dovrebbe essere pari a 1 litro, tra alimenti solidi e liquidi.
- Se il problema persiste, contattare il Servizio clienti Sage.

La pentola si accende automaticamente per mantenere gli alimenti in caldo senza passare attraverso un ciclo di cottura completo

- Aggiungere più acqua nella ciotola e riavviare il ciclo.

Si accumula acqua sul piano di lavoro

- Assicurarsi che la pentola si trovi su una superficie piana e che la vaschetta di raccolta della condensa sia installata sul retro della pentola. Seguire le istruzioni riportate nella sezione "Preparazione di the Fast Slow Pro™" a pagina 10.
- Svuotare la vaschetta di raccolta della condensa.



Garanzia

GARANZIA LIMITATA DI 2 ANNI

Sage Appliances offre una garanzia per l'utilizzo domestico di questo prodotto in specifiche aree geografiche, per 2 anni dalla data di acquisto.

La garanzia copre eventuali malfunzionamenti causati da difetti di fabbricazione o dei materiali. Durante il periodo coperto dalla garanzia, Sage Appliances sarà tenuta a riparare, sostituire o rimborsare l'importo corrispondente ai prodotti difettosi (a sola discrezione di Sage Appliances).

Tutti i diritti di garanzia previsti dalla legislazione nazionale applicabile verranno rispettati e non possono essere annullati dalla presente garanzia. Per i termini e le condizioni complete della garanzia e per istruzioni su come inviare una richiesta di risarcimento, visitare il sito www.sageappliances.com.

the Fast Slow Pro™



ES GUÍA DEL USUARIO

Sage®



Índice

- 2 Sage® recomienda seguridad ante todo
- 7 Componentes
- 9 Información importante de seguridad para tu Fast Slow Pro™
- 11 Funciones
- 17 Cuidado y limpieza
- 19 Resolución de problemas
- 20 Garantía

SAGE® RECOMIENDA SEGURIDAD ANTE TODO

En Sage® nos preocupa mucho la seguridad. Para el diseño y la fabricación de nuestros productos de consumo tenemos en cuenta antes que nada la seguridad de nuestros clientes, como tú. También te rogamos que actúes cuidadosamente al usar cualquier electrodoméstico y que tomes las precauciones siguientes.

MEDIDAS DE SEGURIDAD IMPORTANTES

LEE TODAS LAS INSTRUCCIONES ANTES DEL USO Y GUÁRDALAS

- Hay una versión de este documento disponible en sageappliances.com para descargar.
- No dejes que los niños se acerquen a la olla a presión cuando esté en uso.
- No pongas la olla a presión en un horno caliente.
- Mueve la olla a presión bajo presión con mucho cuidado. No toques las superficies calientes. Utiliza las asas y manijas o perillas. Si es necesario, usa protección.
- No uses la olla a presión para un propósito diferente al que está destinada.
- Este electrodoméstico cocina bajo presión. El uso inadecuado de la olla a presión puede provocar escaldaduras. Asegúrate de que la olla esté bien cerrada antes de aplicar calor. Consulta las instrucciones de “Cocción a presión” en este libro.
- Nunca fuerces la olla a presión para abrirla. No abras antes de asegurarte de que su presión interna haya caído completamente. Consulta las

instrucciones de “Liberación de vapor” en este libro.

- Nunca uses tu olla a presión sin añadir agua, esto podría dañarla seriamente.
- No llenes la olla más allá de $\frac{2}{3}$ de su capacidad. Cuando cocines alimentos que se expanden durante la cocción, como el arroz o las verduras deshidratadas, no llenes la olla a más de la mitad de su capacidad.
- La fuente de calentamiento necesaria para cocinar está incluida en el electrodoméstico.
- Después de cocinar carne con piel (por ejemplo, lengua de buey) que puede hincharse bajo el efecto de la presión, no pinches la carne mientras la piel esté hinchada; podrías escaldarte.
- Cuando cocines alimentos con una textura espesa o pastosa, después de liberar vapor, agita suavemente la olla. Luego libera nuevamente el vapor si es necesario antes de abrir la tapa para evitar la expulsión de alimentos.
- Antes de cada uso, comprueba que las válvulas no estén obstruidas. Consulta las instrucciones de uso.
- Nunca uses la olla a presión en su modo presurizado para freír alimentos ni con mucho ni con poco aceite.
- No manipules ninguno de los sistemas de seguridad más

allá de las instrucciones de mantenimiento especificadas en las instrucciones de uso.



PRECAUCIÓN

Utiliza únicamente el recipiente compatible con este aparato. Utilizar un recipiente no compatible causará un problema que no se puede solucionar mediante un restablecimiento.

- Utiliza únicamente piezas de repuesto Sage® de acuerdo con el modelo correspondiente. En concreto, usa un cuerpo y una tapa de Sage® indicados como compatibles.
- Antes de usar el producto por primera vez, asegúrate de que la tensión de la toma de corriente coincida con la que figura en la etiqueta en la base del electrodoméstico. Si tienes alguna duda, ponte en contacto con tu empresa eléctrica local.
- Retira y desecha de forma segura cualquier material de embalaje y etiquetas promocionales antes del uso.
- Para evitar riesgos de asfixia de niños pequeños, retira y desecha correctamente la cubierta protectora acoplada al enchufe de este electrodoméstico.
- Asegúrate siempre de que el electrodoméstico esté correctamente ensamblado antes de usarlo. Sigue las

instrucciones indicadas en esta publicación.

- Coloca siempre el extremo del conector del cable de alimentación en la entrada del dispositivo antes de insertar el enchufe de alimentación en la toma de corriente y encender el dispositivo. Asegúrate de que la entrada del electrodoméstico esté completamente seca antes de insertar el extremo del conector del cable de alimentación.
- Ten cuidado y evita derrames en el conector.
- No toques las superficies calientes. Las superficies del electrodoméstico están calientes durante y después de su funcionamiento. Para evitar quemaduras o lesiones personales, utiliza siempre agarradores o manoplas aislantes, o usa las asas o manijas o perillas del electrodoméstico si las tiene.
- No coloques el electrodoméstico cerca del borde de una encimera o mesa durante el funcionamiento. Asegúrate de que la superficie esté seca, nivelada, limpia y libre de cualquier líquido y otras sustancias.
- Haz funcionar siempre el electrodoméstico sobre una superficie estable y resistente al calor. No lo uses sobre una superficie cubierta con tela, y coloca el electrodoméstico a una distancia mínima de 20 cm de las paredes, cortinas, telas y otros materiales sensibles al calor.
- No coloques el electrodoméstico sobre o cerca de un quemador de gas caliente, un elemento eléctrico o un lugar donde pueda entrar en contacto con un horno caliente.
- No utilices el electrodoméstico sobre el escurridor del fregadero.
- No coloques la olla sobre una encimera de piedra cuando esté cocinando. Esto se debe a que las encimeras son sensibles al calor desigual y pueden rajarse si se calientan en puntos aislados. Si quieres cocinar con la olla de cocción lenta sobre la encimera, coloca una tabla de cortar o un tapete a prueba de calor debajo de la olla.
- No coloques nada, excepto la tapa, sobre la olla cuando esté ensamblada, cuando esté en uso y cuando esté guardada.
- No uses el asa de la tapa para transportar el electrodoméstico.
- Antes de colocar el bol de cocción extraíble en la base de acero inoxidable, asegúrate de que la base del bol y la base del electrodoméstico estén secas pasando un paño suave y seco.
- No uses un bol de cocción extraíble dañado. Sustitúyelo antes de usar.
- No coloques alimentos o líquidos directamente en la base de acero inoxidable. Solo el

bol de cocción extraíble está diseñado para contener alimentos o líquidos.

- Antes de usar, comprueba siempre que la válvula de liberación de presión y el pasador de bloqueo de seguridad no estén obstruidos y limpia si es necesario. Asegúrate de que el pasador de bloqueo de seguridad se mueva libremente desde debajo de la tapa.
- No toques la válvula de liberación de presión mientras esté en uso.
- Usa solo la liberación de vapor recomendada para despresurizar la olla después de usarla.
- No utilices productos de limpieza muy abrasivos, cáusticos o limpiadores de hornos al limpiar el electrodoméstico. Mantén el electrodoméstico limpio y consulta la sección de cuidado y limpieza.
- Supervisa el electrodoméstico en todo momento mientras esté en funcionamiento.
- Se debe tener mucho cuidado cuando la olla contenga alimentos y líquidos calientes o esté bajo presión. Un uso inapropiado puede provocar lesiones. Antes de utilizar este aparato para una cocción a presión, lenta y al vapor, asegúrate de que la tapa está correctamente ensamblada y encajada.
- No muevas la olla cuando esté en uso.

MEDIDAS DE SEGURIDAD IMPORTANTES PARA TODOS LOS APARATOS ELÉCTRICOS

- No utilices el electrodoméstico si está desgastado, se ha caído o está dañado de alguna forma.
- Desenrolla completamente el cable de alimentación antes del uso.
- Evita que el cable de alimentación sobresalga del borde de una encimera o una mesa, entre en contacto con superficies calientes o se enrede.
- Conecta solo a una toma de corriente de 220–240 V.
- Pon siempre el electrodoméstico en la posición de apagado (OFF), desenchúfalo y deja que todas las piezas se enfríen antes de moverlo, cuando no esté en uso, antes de limpiarlo y guardarlo.
- El electrodoméstico puede ser utilizado por niños mayores de 8 años y personas con discapacidades físicas o mentales, o sin experiencia ni conocimientos de uso, siempre y cuando reciban supervisión o instrucciones para el uso seguro del dispositivo y comprendan los riesgos implicados.
- No permitas que los niños jueguen con el electrodoméstico.
- Los niños no deben realizar la limpieza y el mantenimiento del usuario a menos que sean mayores de 8 años y estén supervisados.

- Mantén el electrodoméstico y su cable fuera del alcance de niños menores de 8 años.
- Se recomienda inspeccionar regularmente el electrodoméstico. No utilices el electrodoméstico si el cable de alimentación, el enchufe o el electrodoméstico propiamente dicho están dañados. Si está dañado o requiere un mantenimiento que no sea la limpieza, contacta con el servicio de atención al cliente de Sage o ve a sageappliances.com
- El uso de accesorios no vendidos o recomendados por Sage® puede provocar incendios, descargas eléctricas o lesiones.
- Este electrodoméstico es solo para uso doméstico. No se debe utilizar para fines distintos de su uso previsto. No se debe utilizar en vehículos o embarcaciones en movimiento. No se debe utilizar al aire libre. El uso inapropiado podría causar lesiones.
- Este electrodoméstico no está diseñado para utilizarse junto con un temporizador externo ni con ningún otro sistema de control a distancia.
- Se recomienda la instalación de un dispositivo de corriente residual (interruptor de segu-

ridad) para ofrecer seguridad adicional al usar todos los electrodomésticos. Se recomienda instalar en el circuito eléctrico que alimenta el electrodoméstico un interruptor de seguridad con una corriente de funcionamiento residual nominal no superior a 30 mA. Solicita asesoramiento profesional a un electricista.



Este símbolo indica que el electrodoméstico no debe desecharse con la basura doméstica normal.

Debe llevarse a un centro de recogida de residuos designado por las autoridades locales para ese fin, o a una empresa que preste ese servicio. Para obtener más información, ponte en contacto con los servicios municipales.



Para evitar descargas eléctricas, no sumerjas el enchufe, el cable de alimentación ni el electrodoméstico en agua ni otros líquidos.

ESPECIFICACIONES

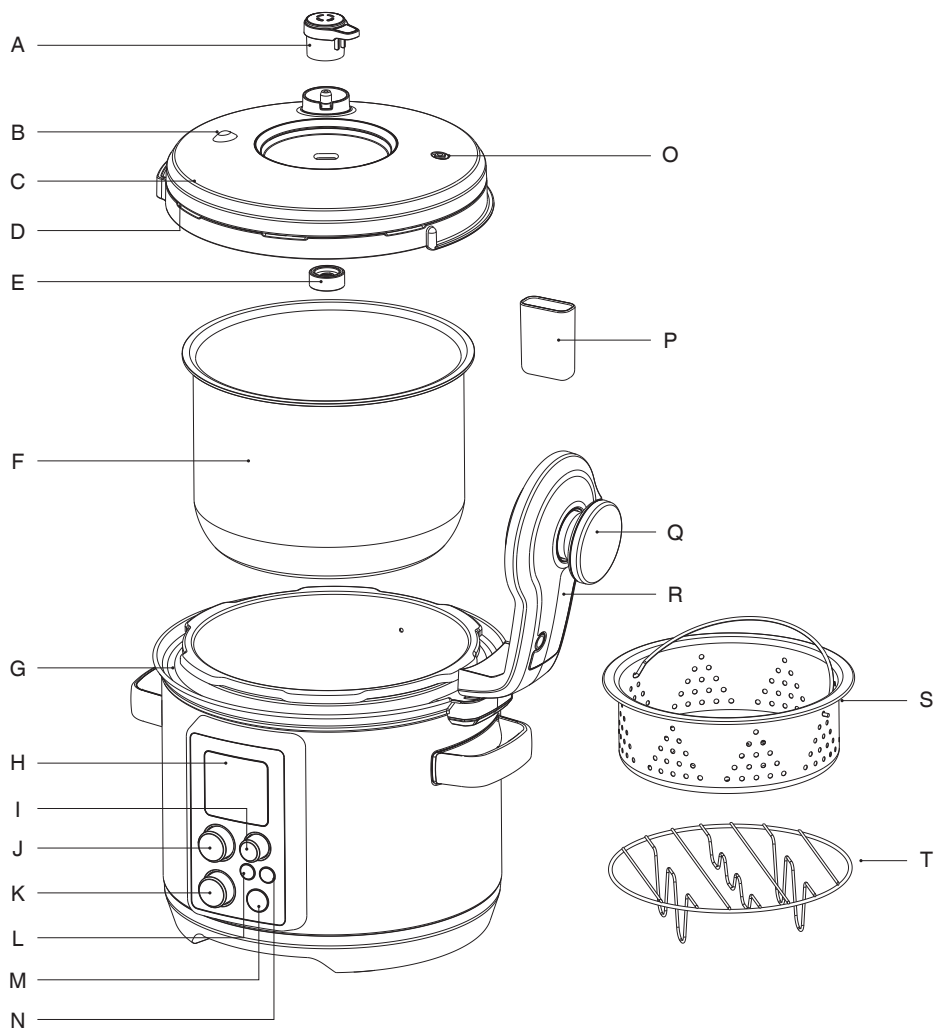
Modelo	SPR700
Volumen nominal	6 litros
Volumen utilizable	4 litros
Presión de funcionamiento	80 kPa

Estas especificaciones pueden cambiar sin previo aviso.

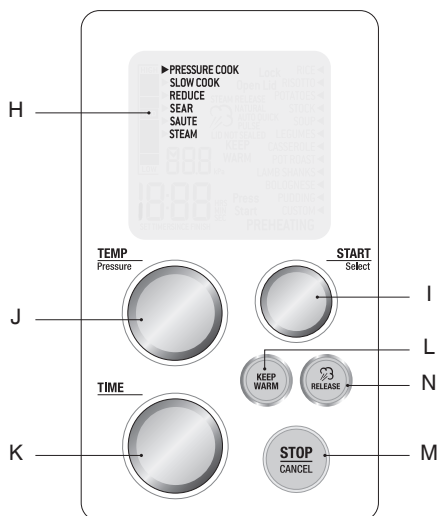
GUARDA ESTAS INSTRUCCIONES



Componentes



Datos técnicos
 220-240 V ~ 50-60 Hz 900-1100 W



- | | |
|--|------------------------------------|
| A. Válvula de liberación de presión | K. Dial TIME |
| B. Válvula de seguridad de presión | L. KEEP WARM |
| C. Tapa extraíble apta para lavavajillas | M. STOP / CANCEL |
| D. Junta de silicona de la tapa | N. Liberación de vapor |
| E. Tuerca de sellado | O. Pasador de bloqueo de seguridad |
| F. Bol de cocción de 6 l 3 | P. Taza de goteo de condensación |
| G. Borde de fácil limpieza | Q. Perilla de la tapa |
| H. LCD interactiva | R. Brazo de la tapa |
| I. Dial Start / Select | S. Vaporizador inoxidable |
| J. Control TEMP / Pressure | T. Trípode inoxidable |

INFORMACIÓN DE SEGURIDAD

IMPORTANTE PARA TU FAST SLOW PRO™

Este electrodoméstico cocina a presión y debe utilizarse y mantenerse como se describe en este libro. La presión del aire atrapado dentro de la olla a presión puede causar una situación peligrosa si no se utiliza y mantiene como se describe en este manual.

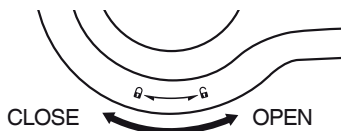
CAPACIDAD DEL BOL DE COCCIÓN

- Asegúrate siempre de que el nivel de líquido / alimento en el bol de cocción extraíble sea el adecuado.
- Nivel "MAX" – No excedas el nivel máximo de llenado. El llenado en exceso puedes causar lesiones personales o daños a la propiedad o afectar al uso seguro de la olla.
- Nivel "1/2" – Al cocinar alimentos que se expanden (como verduras secas, judías, granos, arroz, etc.) NO llenes más allá del nivel de llenado medio.
- Nivel "MIN" – Asegúrate de que el bol de cocción extraíble esté lleno al menos hasta el nivel mínimo de llenado para garantizar un funcionamiento adecuado y evitar daños térmicos e incendios.

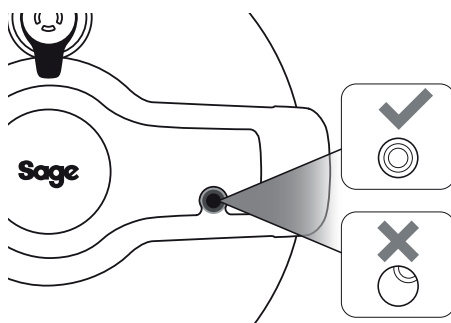
NUNCA FUERCES LA TAPA PARA CERRARLA.

CIERRE DE LA TAPA

- Asegúrate de que la junta de silicona de la tapa esté correctamente insertada alrededor del anillo de alambre en la parte inferior de la tapa y que el pasador de bloqueo de seguridad se mueva libremente.
- Baja la tapa a la posición de cierre. Gira la perilla de la tapa hacia la derecha hacia el gráfico de candado cerrado. La tapa debe cerrarse y bloquearse en su sitio con facilidad y con un mínimo esfuerzo. **NO FUERCES LA TAPA PARA CERRARLA.** La alerta de la olla sonará cuando se bloquee la tapa.



- Asegúrate siempre de que el pasador de bloqueo de seguridad esté alineado correctamente dentro de la abertura del brazo de la tapa y que no esté restringido de ninguna manera.



NOTA

Si el contenido de la olla está caliente al cerrar la tapa, puede ser necesario presionar ligeramente la perilla de la tapa mientras la tapa aún está en la posición de desbloqueo, permitiendo que la tapa gire fácilmente.

LIBERACIÓN DE VAPOR MANOS LIBRES

La olla cuenta con una liberación automática manos libres de vapor que ocasionalmente liberará vapor a medida que la olla se presurice, y también iniciará automáticamente el ciclo de liberación de vapor después de la cocción.

- Nunca coloques las manos, brazos o cara sobre la válvula de liberación de presión.

Además de la liberación automática manos libres de vapor, la presión se puede liberar pulsando el botón RELEASE o girando manualmente la válvula de liberación de presión.

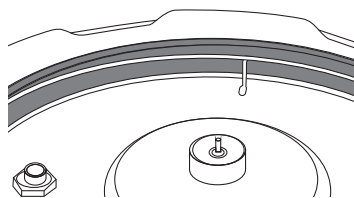
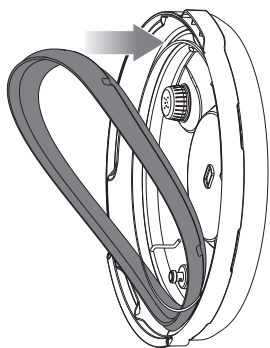
APERTURA DE LA TAPA

- Gira la perilla de la tapa hacia la izquierda hacia el gráfico de candado abierto. La alerta de la olla sonará cuando se abra la tapa.
- La tapa debe abrirse con facilidad si se ha liberado toda la presión interna. Nunca fuerces la tapa para abrirla.
- Si la tapa no se desbloquea, o si encuentras resistencia, puede indicar que la olla está presurizada todavía. Mantén pulsado el botón **RELEASE** hasta que se libere toda la presión interna y la tapa se abra fácilmente.

NUNCA FUERCES LA TAPA PARA ABRIRLA.

PREPARACIÓN DE THE FAST SLOW PRO™

1. Retira y desecha de forma segura los materiales de embalaje, etiquetas promocionales y cinta adhesiva de la olla.
2. Abre la tapa girando la perilla hacia la izquierda y levantando la tapa hacia arriba y afuera del electrodoméstico hasta que esté en la posición abierta de bisagra flotante. Desatornilla y retira la tuerca de sellado del centro de la tapa y retira la tapa para extraerla del brazo de la tapa.
3. Lava la tapa, el bol de cocción extraíble y la junta de silicona de la tapa en agua jabonosa caliente, luego enjuaga y seca bien. Limpia el interior y el exterior de la base de la olla con un paño suave y húmedo y seca bien.
4. La junta de silicona de la tapa es reversible y se puede insertar en cualquier dirección. Coloca la junta de silicona de la tapa alrededor del borde exterior del anillo de alambre en la parte inferior de la tapa. Asegúrate de que esté completamente insertada y quede plana debajo del anillo de alambre.



5. La tapa solo se puede insertar de una manera y se debe ensamblar correctamente para que la olla funcione. Coloca la tapa de modo que la tapa de la válvula de liberación de vapor esté en la parte posterior de la olla (Imagen A). Alinea el centro de la tapa con el perno en la parte inferior del brazo de la tapa (Imagen B) y empuja para exponer la rosca del tomillo. Atornilla la tuerca de sellado, con el anillo rojo tocando la tapa, en el perno para asegurar la tapa. Una vez todo ensamblado, asegúrate de que la válvula de liberación de vapor esté correctamente asentada en su sitio y orientada hacia la perilla de la tapa.

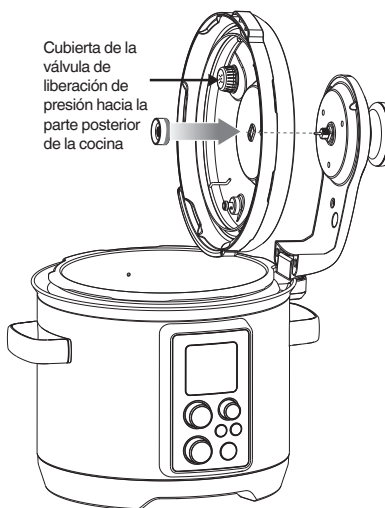


Imagen A

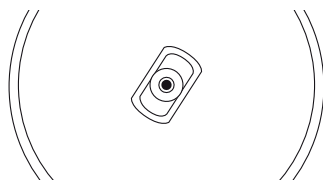
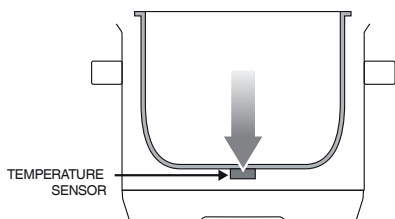
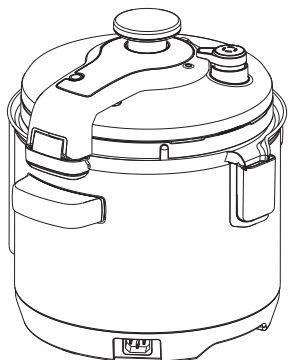
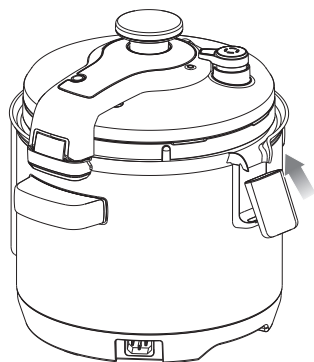


Imagen B

6. Limpia y seca la parte inferior del bol de cocción extraíble y el sensor de temperatura, asegurándote de que no haya materiales no deseados en la superficie. El bol de cocción extraíble debe quedar plano sobre el sensor de temperatura para asegurar un contacto adecuado.



7. Coloca la taza de goteo de condensación en su sitio.



8. Coloca el extremo del conector del cable de alimentación en la base de la olla, asegurándote de que esté completamente seca. Inserta el enchufe de alimentación en una toma de corriente de 220–240 V (con conexión a tierra).
9. La alerta de la olla sonará y la pantalla LCD se iluminará. Las opciones de configuración aparecerán con un indicador en el ajuste **PRESSURE COOKING**.



Funciones

AJUSTES INTELIGENTES

The Fast Slow Pro™ dispone de 6 ajustes inteligentes; Pressure Cook, Slow Cook, Reduce, Sear, Sauté y Steam. Los ajustes Pressure y Slow Cook tienen una lista de tipos de alimentos de uso habitual y tiempos y temperaturas de cocción así como niveles de presión predeterminados para dar los mejores resultados posibles. Sin embargo, sugerimos experimentar con estos valores dependiendo de la receta, la cantidad de alimentos y tu gusto personal. Alternativamente, puedes seleccionar el ajuste CUSTOM para seleccionar tus propios tiempos de cocción y temperaturas o niveles de presión.

Tu ajuste CUSTOM permanecerá en la memoria de la olla. Para restablecer la configuración de fábrica, apaga en la toma de corriente y mantén pulsado **START / SELECT** mientras vuelves a encender en la toma de corriente.

LIBERACIÓN DE VAPOR VARIABLE MANOS LIBRES

The Fast Slow Pro™ dispone de 3 métodos de liberación de vapor:

Auto Quick

La presión se libera rápidamente para minimizar el exceso de cocción de los alimentos o las recetas con tiempos de cocción cortos.

Auto Pulse

La presión se libera en ráfagas para reducir la perturbación de los alimentos en el interior.

Natural

La presión disminuye naturalmente en el interior sin liberar vapor a través de la salida de vapor para evitar la agitación o la ruptura de ingredientes sensibles como los caldos y las judías durante la liberación de la presión.

Se pueden seleccionar utilizando el botón **RELEASE** en el panel de control durante los ciclos de configuración y liberación de vapor. Una vez seleccionado, la válvula de liberación de presión liberará automáticamente el vapor al final del ciclo de cocción a presión.

Si pulsas y mantienes presionado el botón de liberación de vapor **RELEASE** durante o después de un ciclo de cocción, se abrirá la válvula de liberación de presión.





PRECAUCIÓN

Mantén siempre las manos y la cara alejadas de la válvula de liberación de presión cuando cocines a presión, ya que pueden emitirse vapor caliente y agua durante el funcionamiento.

AJUSTE DE ALTITUD

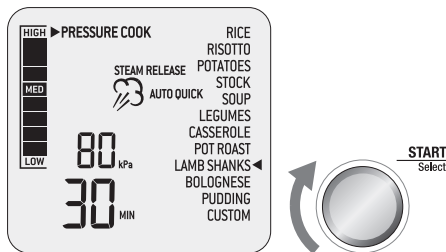
La presión se crea y aumenta cuando la temperatura dentro del recipiente de cocción excede el punto de ebullición. A medida que aumenta la altitud, la temperatura a la que hierve el agua disminuye como resultado de la caída de la presión del aire. Esto crea condiciones muy diferentes para cocinar cuando se utiliza una olla a presión.

Para mantener resultados de cocción consistentes a varias altitudes, the Fast Slow Pro™ tiene una función Altitude Adjust que ajusta la configuración según la altitud de tu ubicación actual.

1. Para entrar en el modo Altitude Adjust, mantén pulsado STOP / CANCEL para activar el modo de espera. La luz de fondo del botón se apagará y la pantalla LCD dejará de iluminarse.
2. Una vez en el modo de espera, mantén pulsados los botones KEEP WARM y RELEASE durante 2 segundos.
3. Gira el dial TIME para introducir la altitud de tu ubicación actual. La altitud se puede ajustar desde 250 m a 1999 m. La olla a presión no debe utilizarse en altitudes superiores a 2000 m.
4. Pulsa el dial START / SELECT para confirmar.
5. Ahora la configuración de la olla se ha ajustado para tu altitud actual. Para restablecer la altitud al nivel del mar (configuración de fábrica), apágala en la toma de corriente y mantén pulsado START / SELECT mientras vuelves a encender en la toma de corriente.

COCCIÓN A PRESIÓN

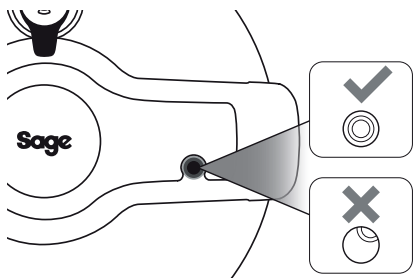
1. Gira el dial START / SELECT hasta que el indicador alcance el ajuste PRESSURE COOK. Pulsa el dial START / SELECT para confirmar.
2. Gira el dial START / SELECT hasta que el indicador en el lado derecho de la pantalla LCD alcance el ajuste deseado.



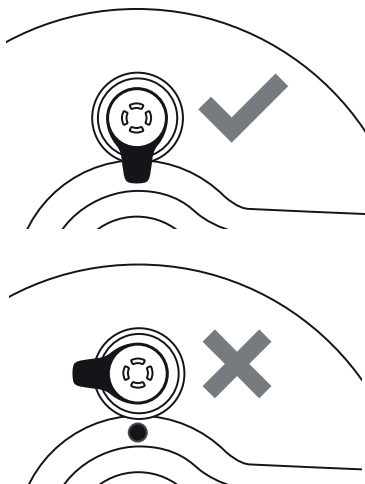
3. La figura superior en la pantalla LCD indica el nivel de presión preestablecido para el ajuste seleccionado. Gira el dial TEMPERATURE / PRESSURE hacia la izquierda para reducir la presión o hacia la derecha para aumentar la presión. La presión se puede ajustar de 20 kPa (LOW) a 80 kPa (HIGH).
4. La figura inferior en la pantalla LCD indica el tiempo de cocción preestablecido para el ajuste seleccionado. Gira el dial TIME hacia la izquierda para reducir el tiempo de cocción o hacia la derecha para aumentar el tiempo de cocción. El tiempo se puede ajustar hasta 2 horas.
5. El icono de vapor en la pantalla LCD indica el método de liberación de vapor preestablecido para el ajuste seleccionado. Pulsa el botón RELEASE para seleccionar entre los métodos de liberación de vapor "AUTO QUICK", "AUTO PULSE" y "NATURAL".
6. Coloca los alimentos en el bol de cocción extraíble. Asegúrate de que haya al menos 1 litro de alimentos y líquidos combinados en el bol.



7. Cierra la tapa y gira la perilla hacia la derecha para bloquearla en su sitio. La alerta de la olla sonará cuando se haya bloqueado la tapa. Comprueba que el pasador de bloqueo de seguridad esté alineado correctamente con la abertura en el brazo de la tapa y que no esté restringido de ninguna manera.



8. Asegúrate de que la válvula de liberación de presión esté colocada en la tapa, que esté correctamente asentada en su sitio y orientada hacia la perilla de la tapa.



9. Pulsa el dial START / SELECT para empezar a cocinar. La luz de fondo del botón STOP / CANCEL se iluminará en rojo, la pantalla LCD se iluminará en naranja, aparecerá "PREHEATING" y la barra de presión a la izquierda subirá para indicar que la olla está creando presión.



NOTA

Es normal que la olla libere pequeñas ráfagas de vapor al estabilizar su presión interna.

10. Si la tapa no se ha bloqueado correctamente, aparecerá "LOCK LID" en la pantalla LCD. Gira la perilla de la tapa hacia la derecha para bloquearla y empezar a cocinar.
11. Una vez que la olla haya alcanzado la presión, "PREHEATING" se apagará, la alerta de la olla sonará, el temporizador comenzará la cuenta atrás y la barra de presión indicará la presión actual en el recipiente.
12. El tiempo se puede ajustar durante el ciclo de cocción a presión girando el dial TIME. El ciclo se puede pausar en cualquier momento pulsando el botón STOP / CANCEL. Para finalizar el ciclo, mantén pulsado STOP / CANCEL durante 2 segundos. Si ya hay presión en el recipiente, pasará inmediatamente al ciclo de liberación de vapor.
13. Al final del ciclo de cocción a presión, sonará la alerta de la olla y el vapor se liberará automáticamente a través de la válvula de liberación de presión. El icono de vapor parpadeará, el temporizador comenzará a contar hacia adelante y la barra de presión disminuirá, indicando la presión actual en el recipiente. Si se selecciona la liberación de vapor NATURAL, la presión disminuirá naturalmente en el recipiente sin forzar el vapor a través de la válvula de liberación de presión. El ajuste de liberación de vapor se puede cambiar durante el ciclo de liberación de vapor pulsando el botón RELEASE.
14. Al final del ciclo de liberación de vapor, sonará la alerta de la olla, la pantalla LCD se iluminará en azul y el temporizador comenzará a contar hacia adelante.
15. Abre la tapa girando la perilla hacia la izquierda y levantando con cuidado la tapa a la posición abierta de bisagra flotante.
16. Después de 5 minutos de inactividad, se activará el modo de espera. La luz de fondo del botón se apagará y la pantalla LCD dejará de iluminarse.



PRECAUCIÓN

Para escaldaduras por el vapor que se escapa, no coloques la cara o las manos sobre la olla cuando retires la tapa.

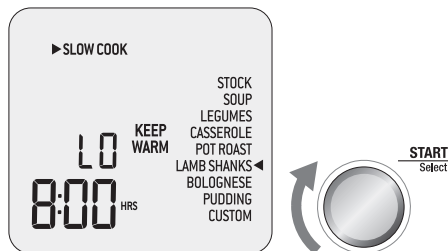


NOTA

Si la tapa no se desbloquea, esto indica que el electrodoméstico todavía está bajo presión. No fuerces la tapa para abrirla, ya que la presión restante puede ser peligrosa. Pulsa el botón RELEASE hasta que se libere toda la presión interna y la tapa se abra fácilmente.

SLOW COOK

1. Gira el dial START / SELECT hasta que el indicador alcance el ajuste SLOW COOK. Pulsa el dial START / SELECT para confirmar.
2. Gira el dial START / SELECT hasta que el indicador en el lado derecho de la pantalla LCD alcance el ajuste deseado.



3. La figura superior en la pantalla LCD indica la temperatura preestablecida para el ajuste seleccionado. Gira el dial TEMPERATURE / PRESSURE hacia la izquierda para reducir la temperatura o hacia la derecha para aumentar la temperatura. La temperatura se puede ajustar a una de las dos temperaturas predefinidas; "LO" o "HI".
4. La figura inferior en la pantalla LCD indica el tiempo de cocción preestablecido para el ajuste seleccionado. Gira el dial TIME hacia la izquierda para reducir el tiempo de cocción o hacia la derecha para aumentar el tiempo de cocción. El tiempo se puede ajustar entre 2 y 12 horas.
5. "KEEP WARM" indica que la función para mantener caliente se activará automáticamente después del ciclo de cocción lenta. Pulsa el botón KEEP WARM en el panel de control para seleccionar o deseleccionar la función.
6. Coloca los alimentos en el bol de cocción extraíble. Asegúrate de que haya al menos 1 litro de alimentos y líquidos combinados en el bol.



7. Cierra la tapa y gírala para colocarla en la posición de bloqueo.
8. Asegúrate de que el contrapeso de la válvula de liberación de presión está en la tapa en posición de cierre.
9. Pulsa el dial START / SELECT para empezar a cocinar. La luz de fondo del botón STOP / CANCEL se iluminará en rojo y la pantalla LCD se iluminará en naranja.
10. Se mostrará el temporizador y empezará la cuenta atrás automáticamente. El tiempo se puede ajustar durante el ciclo de cocción lenta girando el dial TIME. El ciclo se puede pausar en cualquier momento pulsando el botón STOP / CANCEL. Para finalizar el ciclo, mantén pulsado STOP / CANCEL durante 2 segundos.
11. Al final del ciclo de cocción lenta, la olla cambiará automáticamente a la función KEEP WARM. La pantalla LCD mostrará "KEEP WARM" y el temporizador comenzará a contar hasta un máximo de 2 horas. El ciclo para mantener caliente se puede pausar en cualquier momento pulsando el botón STOP / CANCEL.
12. Si no se ha seleccionado KEEP WARM, sonará la alerta de la olla, la luz de fondo del botón STOP / CANCEL se apagará y la pantalla LCD se iluminará en azul.
13. Después de 5 minutos de inactividad, se activará el modo de espera. La luz de fondo del botón se apagará y la pantalla LCD dejará de iluminarse.

REDUCE

El ajuste REDUCE es ideal para espesar e intensificar el sabor de salsas, jarabes y caldos.

1. Gira el dial START / SELECT hasta que el indicador alcance el ajuste REDUCE. Pulsa el dial START / SELECT para confirmar.
2. La figura superior en la pantalla LCD indica la temperatura predefinida para el ajuste REDUCE. Gira el dial TEMPERATURE / PRESSURE hacia la izquierda para reducir la temperatura o hacia la derecha para aumentar la temperatura. La temperatura se puede ajustar a una de las tres temperaturas predeterminadas; "LO", "MED" o "HI".
3. La figura inferior en la pantalla LCD indica el tiempo de cocción predefinido para el ajuste REDUCE. Gira el dial TIME hacia la izquierda para reducir el tiempo de cocción o hacia la derecha para aumentar el tiempo de cocción. El tiempo se puede ajustar hasta 2 horas.
4. Coloca el líquido a reducir en el bol extraíble.



NOTA

Si vas a reducir salsa mediante cocción a presión o lenta, retira la carne o las verduras cocidas.

Una vez que la salsa haya alcanzado la consistencia y el sabor correctos, vuelve a colocar la carne y deja que se caliente unos minutos antes de servirla.

5. Pulsa el dial START / SELECT para empezar a cocinar. La luz de fondo del botón STOP / CANCEL se iluminará en rojo, la pantalla LCD se iluminará en naranja e indicará "PREHEATING".
6. Mantén la tapa abierta en la posición de bisagra flotante. Si no se ha abierto la tapa, sonará la alerta de la olla y aparecerá "OPEN LID" en la pantalla LCD.
7. Una vez que la olla haya alcanzado la temperatura, se apagará "PREHEATING".
8. El temporizador comenzará la cuenta atrás. El tiempo se puede ajustar durante el ciclo de reducción girando el dial TIME. El ciclo se puede pausar en cualquier momento pulsando el botón STOP / CANCEL. Para finalizar el ciclo, mantén pulsado STOP / CANCEL durante 2 segundos.
9. Al final del ciclo de reducción, sonará la alerta de la olla, la luz de fondo del botón STOP / CANCEL se apagará y la pantalla LCD se iluminará en azul.

10. Después de 5 minutos de inactividad, se activará el modo de espera. La luz de fondo del botón se apagará y la pantalla LCD dejará de iluminarse.

SEAR

El ajuste SEAR está diseñado para mejorar y profundizar el sabor de las comidas utilizando el mismo recipiente de cocción para caramelizar y dorar los alimentos antes de la cocción a presión o lenta.

1. Gira el dial START / SELECT hasta que el indicador alcance el ajuste SEAR. Pulsa el dial START / SELECT para confirmar.
2. La luz de fondo del botón STOP / CANCEL se iluminará en rojo, la pantalla LCD se iluminará en naranja e indicará "PREHEATING".
3. Mantén la tapa abierta en la posición de bisagra flotante. Si no se ha abierto la tapa, sonará la alerta de la olla y aparecerá "OPEN LID" en la pantalla LCD.
4. Una vez que la olla haya alcanzado la temperatura, se apagará "PREHEATING". Coloca los alimentos para cocinar en el bol de cocción extraíble.
5. El temporizador comenzará a contar hasta un máximo de 45 minutos. El ciclo se puede pausar en cualquier momento pulsando el botón STOP / CANCEL. Para finalizar el ciclo, mantén pulsado STOP / CANCEL durante 2 segundos.
6. Al final del ciclo de dorado, sonará la alerta de la olla, la luz de fondo del botón STOP / CANCEL se apagará y la pantalla LCD se iluminará en azul.
7. Después de 5 minutos de inactividad, se activará el modo de espera. La luz de fondo del botón se apagará y la pantalla LCD dejará de iluminarse.

SAUTÉ

El ajuste SAUTÉ es ideal para suavizar y caramelizear el ajo, las cebollas y los trozos más pequeños de alimentos antes de la cocción a presión o lenta.

1. Gira el dial START / SELECT hasta que el indicador alcance el ajuste SAUTÉ. Pulsa el dial START / SELECT para confirmar.
2. La figura superior en la pantalla LCD indica la temperatura predefinida para el ajuste SAUTÉ. Gira el dial TEMPERATURE / PRESSURE hacia la izquierda para reducir la temperatura o hacia la derecha para aumentar la temperatura. La temperatura se puede ajustar a una de las tres temperaturas predeterminadas; "LO", "MED" o "HI".
3. Pulsa el dial START / SELECT para empezar a cocinar. La luz de fondo del botón STOP / CANCEL se iluminará en rojo, la pantalla LCD se iluminará en naranja e indicará "PREHEATING".
4. Mantén la tapa abierta en la posición de bisagra flotante. Si no se ha abierto la tapa, sonará la alerta de la olla y aparecerá "OPEN LID" en la pantalla LCD.
5. Una vez que la olla haya alcanzado la temperatura, se apagará "PREHEATING". Coloca los alimentos para cocinar en el bol de cocción extraíble.
6. El temporizador comenzará a contar hacia adelante. El ciclo se puede pausar en cualquier momento pulsando el botón STOP / CANCEL. Para finalizar el ciclo, mantén pulsado STOP / CANCEL durante 2 segundos.
7. Al final del ciclo de salteado, sonará la alerta de la olla, la luz de fondo del botón STOP / CANCEL se apagará y la pantalla LCD se iluminará en azul.
8. Después de 5 minutos de inactividad, se activará el modo de espera. La luz de fondo del botón se apagará y la pantalla LCD dejará de iluminarse.
3. Llena el bol de cocción extraíble con agua hasta la marca de nivel MIN. Durante la cocción al vapor, comprueba el nivel del agua y añade agua cuando sea necesario.
4. Coloca el trípode en el bol y coloca la cesta de cocción al vapor en la parte superior. Si vas a recalentar los platos, colócalos encima del trípode.
5. Organiza los alimentos en el vaporizador dejando espacios de 1 cm entre los alimentos para que el vapor pueda fluir uniformemente por todos los lados.
6. Cierra la tapa y gírala para colocarla en la posición de bloqueo.
7. Retira el contrapeso de la válvula de liberación de vapor de la tapa.
8. Pulsa el dial START / SELECT para empezar a cocinar. La luz de fondo del botón STOP / CANCEL se iluminará en rojo, la pantalla LCD se iluminará en naranja e indicará "PREHEATING".
9. Una vez que la olla haya alcanzado la temperatura, se apagará "PREHEATING".
10. El temporizador comenzará a contar hasta un máximo de 45 minutos. El tiempo se puede ajustar durante el ciclo de vapor girando el dial TIME. El ciclo se puede pausar en cualquier momento pulsando el botón STOP / CANCEL. Para finalizar el ciclo, mantén pulsado STOP / CANCEL durante 2 segundos.
11. Al final del ciclo de vapor, sonará la alerta de la olla, la luz de fondo del botón STOP / CANCEL se apagará y la pantalla LCD se iluminará en azul.
12. Si se requiere vaporización adicional, comprueba los niveles de agua y rellena según sea necesario.
13. Después de 5 minutos de inactividad, se activará el modo de espera. La luz de fondo del botón se apagará y la pantalla LCD dejará de iluminarse.

STEAM

El ajuste STEAM es ideal para cocinar al vapor verduras, filetes de pescado, albóndigas y para recalentar platos.

1. Gira el dial START / SELECT hasta que el indicador alcance el ajuste STEAM. Pulsa el dial START / SELECT para confirmar.
2. La figura inferior en la pantalla LCD indica el tiempo de cocción predeterminado para el ajuste STEAM. Gira el dial TIME hacia la izquierda para reducir el tiempo de cocción o hacia la derecha para aumentar el tiempo de cocción. El tiempo se puede ajustar hasta 1 hora.



Cuidado y limpieza

El bol de la olla, el cuerpo exterior, la tapa y los accesorios deben limpiarse a fondo antes de cada uso.

Antes de limpiar, asegúrate de que la olla esté apagada manteniendo pulsado el botón STOP / CANCEL en el panel de control. La olla está apagada cuando la luz de fondo del botón ya no está iluminada.

Retira el enchufe de la toma de corriente y retira el extremo del conector del cable de alimentación de la base de la olla. Deja que la olla y todos los accesorios se enfríen completamente antes de desmontarlos y limpiarlos.

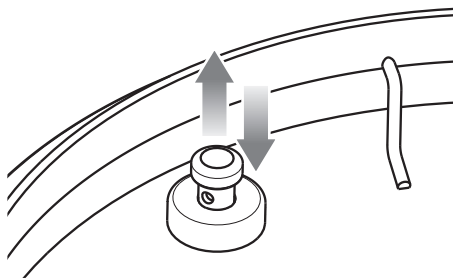
LIMPIEZA DEL BOL Y DEL CUERPO EXTERIOR

1. El bol de cocción extraíble se puede lavar en el lavavajillas. Sin embargo, para mantener el recubrimiento cerámico, se recomienda lavar el bol de cocción en agua tibia y jabón con un detergente doméstico suave. Enjuaga con agua limpia y seca bien.
2. Limpia el borde y el cuerpo exterior con una esponja suave y húmeda. Se pueden usar soluciones suaves en aerosol o limpiadores líquidos no abrasivos para evitar la acumulación de manchas. Aplica el producto limpiador en la esponja, no en la superficie de la olla, antes de limpiar.
3. Retira la taza de goteo de condensación tirando suavemente de la parte inferior hacia afuera del cuerpo. Lava con agua tibia jabonosa, enjuaga con agua limpia, seca bien y vuelve a colocarla en su sitio.
4. Limpia la pantalla LCD con un paño suave y húmedo. La limpieza con un paño seco o limpiadores abrasivos puede rayar la superficie.
5. Deja que todas las superficies se sequen por completo antes de enchufar a una toma de corriente y encender la olla.

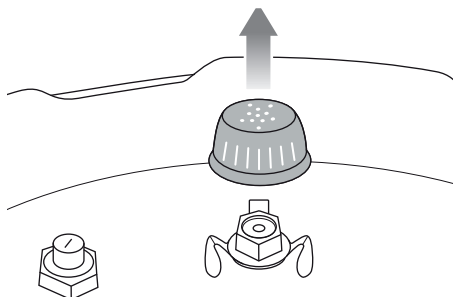
LIMPIEZA DE LA TAPA

1. Retira la válvula de liberación de presión de la tapa.
2. Abre la tapa girando la perilla hacia la izquierda y levantando la tapa hacia arriba y afuera del electrodoméstico hasta que esté en la posición abierta de bisagra flotante. Desatornilla y retira la tuerca de sellado del centro de la tapa y retira la tapa para extraerla del brazo de la tapa.

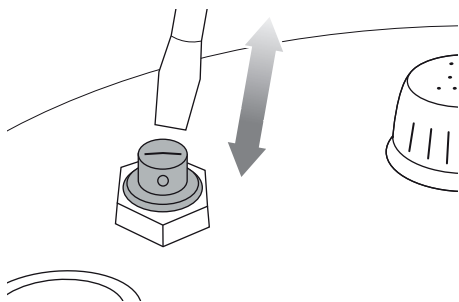
3. Tira suavemente de la junta de silicona de la tapa alrededor del anillo de alambre en la parte inferior de la tapa.
4. Lava la tuerca de sellado y la válvula de liberación de presión en agua jabonosa tibia. Enjuaga con agua limpia y seca bien.
5. Lava la junta de silicona de la tapa y la tapa en la rejilla superior del lavavajillas. Alternativamente, lava con agua tibia jabonosa, enjuaga con agua limpia y seca completamente.
6. Después de limpiar la tapa, inspecciona regularmente y asegúrate de que:
 - a) El pasador de bloqueo de seguridad se mueve hacia arriba y hacia abajo libremente. Retira siempre cualquier resto de aceite o comida que quede en esta área.



- b) La válvula de liberación de presión y la tapa están limpias y libres de alimentos o líquidos. Para limpiar, gira y tira de la válvula de liberación de presión de la tapa, limpia con un paño jabonoso, enjuaga y seca completamente. Vuelve a encajar la tapa en su posición original.



- c) La válvula de seguridad de presión está limpia y libre de alimentos o líquidos. Para limpiar, empuja la válvula desde el interior para que la válvula quede abierta sobre la tapa y elimina cualquier resto de aceite o comida. Asegúrate de que la válvula se mueve hacia adentro y hacia afuera sin problemas después de la limpieza.



7. Coloca la junta de silicona de la tapa limpia de forma segura alrededor del anillo de alambre en la parte inferior de la tapa. Ajusta la posición si es necesario para que se asiente cómodamente y esté libre de distorsiones.
8. Para volver a colocar la tapa, orienta la tapa de modo que el alojamiento de la válvula de liberación de vapor esté en la parte posterior de la unidad, y luego alinea el centro de la tapa con el perno en la parte inferior del brazo de la tapa y empuja hasta su posición para exponer la rosca del tornillo. Asegura la tapa atornillando la tuerca de sellado de manera que la junta roja toque la superficie de la tapa.

LIMPIEZA DE LA BANDEJA DE COCCIÓN AL VAPOR Y DEL TRÍPODE

1. Lava todos los accesorios en agua tibia jabonosa con una esponja suave o un estropajo de plástico suave. Enjuaga y seca bien todo. No uses limpiadores abrasivos, estropajos metálicos ni utensilios metálicos para limpiar ninguno de los accesorios, ya que pueden dañar las superficies.
2. Para prolongar la vida útil de tus accesorios, no recomendamos que los coloques en el lavavajillas.



CONSEJO

Para ayudar a eliminar los olores de los alimentos, combina 2 tazas (500 ml) de agua caliente, ½ taza (125 ml) de zumo de limón, 1 cucharada de cáscara de limón y 1 cucharada de extracto de vainilla en el bol de cocción extraíble. Cocina a presión a 80 kPa durante 5 minutos usando la liberación de vapor Natural.

ALMACENAMIENTO

1. Asegúrate de que la olla esté apagada pulsando el botón STOP / CANCEL en el panel de control. La olla está apagada cuando la luz de fondo del botón ya no está iluminada.
2. Desenchufa el cable de la toma de corriente. Deja que la olla y todos los accesorios se enfríen completamente antes de desmontarlos y limpiarlos.
3. Asegúrate de que la olla y todos los accesorios estén limpios y secos.
4. Asegúrate de que el bol se inserte en la olla; el trípode se inserte en la bandeja de cocción al vapor y dentro del bol.
5. Asegúrate de que la tapa esté cerrada y en la posición de bloqueo.
6. Guarda el electrodoméstico en posición vertical, apoyado en sus patas de apoyo. No coloques nada encima.



Resolución de problemas

PROBLEMA

SOLUCIÓN FÁCIL

La tapa no se puede abrir al final del ciclo de cocción

- Pulsa el botón RELEASE hasta que se libere toda la presión interna y se pueda abrir la olla.
- Una vez que se haya liberado toda la presión interna con el botón RELEASE, gira la válvula de liberación de presión a la posición abierta, en dirección opuesta a la perilla de la tapa.
- Si esto ocurre con frecuencia, es posible que la olla deba ajustarse para adaptarse a tu altitud actual. Sigue las instrucciones de "Ajuste de altitud" en la página 12.

"Open Lid" se muestra en la pantalla LCD cuando la tapa está abierta

- Gira la perilla de la tapa hacia la derecha y hacia la izquierda.

El vapor se escapa de la tapa
O

El pasador de bloqueo de seguridad no se levanta
O

La olla no está alcanzando presión
O

El temporizador no cuenta hacia atrás

- Ensambla la tapa correctamente asegurándote de que no haya espacio entre el brazo de la tapa y la tapa de acero inoxidable. La tuerca de sellado debe atornillarse firmemente. Sigue el paso 5 en la página 10.
- Asegúrate de que la junta de silicona de la tapa esté limpia, libre de daños o grietas y que esté correctamente insertada. Sigue el paso 4 en la página 10.
- Asegúrate de que el pasador de bloqueo de seguridad pueda moverse libremente hacia arriba y hacia abajo. Sigue el paso 6a en la página 17.
- Cuando la tapa esté bloqueada, asegúrate de que el pasador de bloqueo de seguridad esté correctamente alineado dentro de la abertura del brazo de la tapa. Consulta el paso 7, página 13.
- Asegúrate de que la válvula de liberación de presión esté correctamente asentada en su sitio y de cara a la perilla de la tapa. Sigue el paso 8 en la página 13.
- Añade más líquido / alimentos al bol. Debe haber un mínimo de 1 litro de alimentos y líquidos combinados.
- Si el problema persiste, llama al servicio de atención al cliente de Sage.

La olla cambia automáticamente para mantenerse caliente sin pasar por un ciclo de cocción completo

- Añade más agua al bol de cocción y reinicia el ciclo.

Se está acumulando agua en la encimera

- Asegúrate de que la olla esté sobre una superficie plana y nivelada y que la taza de goteo de condensación esté instalada en la parte posterior de la olla. Sigue las instrucciones de "Preparación de the Fast Slow Pro™" en la página 10.
- Vacía la taza de goteo de condensación.



Garantía

GARANTÍA LIMITADA DE 2 AÑOS

La garantía de Sage Appliances cubre este producto para uso doméstico en territorios específicos durante 2 años a partir de la fecha de compra contra fallos causados por mano de obra y materiales defectuosos. Durante el plazo de la garantía, Sage Appliances reparará o sustituirá productos defectuosos (a criterio de Sage Appliances).

Todos los derechos de garantía en virtud de la legislación nacional vigente serán respetados y no se verán afectados por nuestra garantía. Para consultar los términos y condiciones completos de la garantía, así como instrucciones sobre cómo hacer una reclamación, visite www.sageappliances.com

the Fast Slow Pro™



PT MANUAL DO UTILIZADOR

Sage®



Índice

- 2 A Sage® recomenda a segurança como máxima prioridade
- 8 Componentes
- 10 Informação de segurança importante relativa à Fast Slow Pro™
- 13 Funções
- 20 Cuidados e limpeza
- 22 Resolução de problemas
- 23 Garantia

A SAGE® RECOMENDA A SEGURANÇA COMO MÁXIMA PRIORIDADE

Na Sage®, temos a máxima preocupação com a segurança. Concebemos e produzimos produtos para o consumidor principalmente com a sua segurança, o nosso prezado cliente, em mente. Além disso, pedimos que tenha cuidado quando utilizar qualquer aparelho elétrico e que cumpra as precauções seguintes.

CUIDADOS IMPORTANTES

LEIA TODAS AS INSTRUÇÕES ANTES DE UTILIZAR E GUARDE-AS PARA CONSULTA FUTURA

- Está disponível uma versão transferível deste documento em sageappliances.com
- Não permita que as crianças estejam perto da panela de pressão quando em uso.
- Não coloque a panela de pressão num forno quente.
- Mova a panela de pressão sob pressão com o máximo cuidado. Não toque nas superfícies quentes. Use os cabos e pegas. Use proteção, se necessário.
- Não use a panela de pressão para um objetivo que não aquele a que se destina.
- Este aparelho cozinha os alimentos sob pressão. Podem ocorrer queimaduras devido ao uso incorreto da panela de pressão. Certifique-se de que a panela de pressão está corretamente fechada antes de aplicar calor. Consulte as instruções na secção "Cozinhar Sob Pressão" neste livro.
- Nunca force a abertura da panela de pressão. Não abra a panela de pressão antes de se certificar de que a sua pressão interna foi libertada

na totalidade. Consulte as instruções na secção "Libertação do Vapor" neste livro.

- Nunca use a panela de pressão sem adicionar água, visto que isso irá danificar gravemente o aparelho.
- Não encha a panela de pressão $\frac{2}{3}$ acima da sua capacidade. Ao cozinhar alimentos que se expandem ao cozinhar, como arroz ou vegetais desidratados, não encha a panela de pressão até mais de metade da sua capacidade.
- A fonte de calor necessária para cozinhar encontra-se incluída no aparelho.
- Depois de cozinhar carne com pele (por ex., língua de vaca), que pode inchar sob o efeito da pressão, não pique a carne enquanto a pele estiver inchada; poderá queimar-se.
- Ao cozinhar alimentos com textura espessa ou massuda, agite ligeiramente a panela de pressão após a libertação do vapor. Em seguida, liberte o vapor novamente, se necessário, antes de abrir a tampa para evitar a ejeção dos alimentos.
- Antes de cada utilização, certifique-se de que as válvulas não estão obstruídas. Consulte as Instruções de Utilização.
- Nunca use a panela de pressão no modo pressurizado para

fritar alimentos com muito ou pouco óleo.

- Não altere nenhum dos sistemas de segurança fora do âmbito das instruções de manutenção especificadas nas instruções de utilização.



CUIDADO

Utilize apenas o recipiente culinário destinado a este aparelho; a utilização de outros recipientes não fornecidos causará um problema irresolúvel.

- Utilize apenas peças sobressalentes da Sage® de acordo com o modelo relevante. Em particular, use um corpo e uma tampa da Sage® indicados como sendo compatíveis.
- Antes de utilizar pela primeira vez, certifique-se de que a sua fonte de alimentação corresponde à indicada na etiqueta de classificação na parte inferior do aparelho. Contacte o seu fornecedor de electricidade se tiver quaisquer dúvidas.
- Remova e elimine em segurança qualquer material de embalagem e etiquetas promocionais antes de utilizar.
- Para eliminar o risco de asfixia para as crianças, remova e elimine de forma segura a cobertura de

- proteção instalada na ficha de alimentação deste aparelho.
- Antes de utilizar, certifique-se sempre de que o aparelho foi montado corretamente. Cumpra as instruções fornecidas neste livro.
 - Introduza sempre a extremidade do conector do cabo de alimentação na entrada do aparelho antes de inserir a ficha numa tomada elétrica e ligar o aparelho. Certifique-se de que a tomada do aparelho está completamente seca antes de inserir a extremidade do conector do cabo de alimentação.
 - Exerça os devidos cuidados para evitar a ocorrência de derrames no conector.
 - Não toque nas superfícies quentes. As superfícies do aparelho estão quentes durante e após o funcionamento. Para impedir a ocorrência de queimaduras ou lesões pessoais, utilize sempre pegas protetoras ou luvas de forno ou, quando disponíveis, use os cabos ou pegas.
 - Não coloque o aparelho perto da extremidade de um banco ou mesa durante o funcionamento. Certifique-se de que a superfície está nivelada, limpa e livre de qualquer líquido e outras substâncias.
 - Opere sempre o aparelho sobre uma superfície estável e resistente ao calor. Não opere numa superfície coberta com um pano, e posicione o aparelho a uma distância mínima de 20 cm das paredes, cortinas, panos e outros materiais sensíveis ao calor.
 - Não coloque este aparelho sobre ou perto de um bico a gás ou elétrico quente ou num local onde possa tocar num forno quente.
 - Não opere o aparelho sobre uma pia de cozinha.
 - Não coloque a panela elétrica sobre uma bancada de pedra quando está a cozinhar. As bancadas são sensíveis a calor desigual e podem rachar se forem aquecidas localmente. Se quiser cozinhar com a panela de cozedura lenta sobre uma bancada, coloque uma tábua de cozinha ou um apoio à prova de calor debaixo da panela.
 - Apenas a respetiva tampa deve ser colocada na panela elétrica quando esta estiver montada, em uso e armazenada.
 - Não use a pega da tampa para transportar o aparelho.
 - Antes de colocar a panela interior amovível na base de aço inoxidável, certifique-se de que a base da panela interior e a base do aparelho estão

secos passando um pano macio seco.

- Não utilize uma panela interior amovível danificada. Substitua antes de utilizar.
- Não coloque alimentos ou líquidos diretamente na base de aço inoxidável. Apenas a panela interior amovível foi concebida para conter alimentos ou líquidos.
- Antes de utilizar, inspecione sempre a válvula de libertação de pressão e o pino de bloqueio de segurança para determinar se estão obstruídos e limpe-os se necessário. Certifique-se de que o pino de bloqueio de segurança se move livremente através da parte inferior da tampa.
- Não toque na válvula de libertação de pressão enquanto o aparelho estiver em uso.
- Utilize apenas a opção STEAM RELEASE (Libertação de Vapor) recomendada para despressurizar a panela elétrica após o uso.
- Não use produtos de limpeza abrasivos, cáusticos ou produtos de limpeza do forno ao limpar este aparelho. Mantenha o aparelho limpo e consulte a secção de cuidados e limpeza.
- Não deixe o aparelho sem supervisão durante a utilização.
- Tenha o máximo cuidado quando a panela de arroz tiver

alimentos e líquidos quentes e/ou estiver sob pressão.

A utilização incorreta pode resultar em ferimentos. Quando utilizar este aparelho para cozer à pressão, cozedura lenta e a vapor, certifique-se de que a tampa está devidamente instalada e bloqueada na posição correta antes de utilizar.

- Não mova a panela durante a utilização.

DIRETRIZES DE SEGURANÇA IMPORTANTES PARA TODOS OS APARELHOS ELÉTRICOS

- Não utilize este aparelho se estiver gasto, tiver caído no chão ou estiver danificado de qualquer maneira.
- Desenrole completamente o cabo de alimentação antes de utilizar.
- Não deixe o cabo de alimentação pendurado sobre a extremidade de uma mesa ou bancada, em contacto com superfícies quentes nem permita que o cabo se enrosque.
- Ligue apenas a uma tomada elétrica de 220–240 V.
- Desligue sempre o aparelho (posição OFF), desligue o cabo da tomada de alimentação, retire a ficha da tomada elétrica e permita que todas as peças arrefeçam antes de tentar mover o aparelho, quando

- não estiver em uso, antes de o limpar e quando o armazenar.
- O aparelho pode ser utilizado por crianças com mais de 8 anos de idade e pessoas com capacidades físicas, sensoriais ou mentais reduzidas ou com falta de experiência e conhecimento, mas apenas se tiverem recebido supervisão ou instruções relativas ao uso seguro do aparelho e compreenderem os perigos envolvidos.
 - As crianças não devem brincar com o aparelho.
 - As tarefas de limpeza do aparelho e de manutenção realizadas pelo utilizador não devem ser executadas por crianças exceto caso tenham mais de 8 anos de idade e tenham supervisão.
 - Mantenha o aparelho e o seu cabo fora do alcance das crianças com menos de 8 anos de idade.
 - Recomendamos a inspeção regular do aparelho. Não use o aparelho se o cabo de alimentação, a ficha ou o próprio aparelho estiverem danificados de qualquer maneira. Contacte o serviço de atendimento ao cliente da Sage ou aceda a sageappliances.com se o aparelho estiver danificado ou for necessária qualquer tarefa de manutenção que não a de limpeza.
 - O uso de acessórios não vendidos ou recomendados pela Sage® pode provocar incêndios, choque elétrico ou lesões.
 - Este aparelho destina-se apenas a uso doméstico. Não utilize este aparelho para uma função diferente da utilização a que se destina. Não utilize em veículos em movimento ou barcos. Não utilize no exterior. A utilização incorreta pode causar ferimentos.
 - O aparelho não se destina a ser operado através de um temporizador externo ou sistema de controlo remoto separado.
 - Recomendamos a instalação de um dispositivo de corrente residual (comutador de segurança) para fornecer segurança adicional ao utilizar todos os aparelhos elétricos. É aconselhável a instalação de um comutador de segurança com uma corrente operacional residual nominal não superior a 30 mA no circuito elétrico que abastece o aparelho. Consulte um electricista para obter aconselhamento profissional.



O símbolo apresentado indica que este aparelho não deve ser eliminado juntamente com os resíduos domésticos normais. Deve ser encaminhado para um centro de recolha de resíduos da autoridade local designado para este fim ou um revendedor que forneça este serviço. Contacte a Câmara Municipal local para obter mais informações.



Não coloque o cabo de alimentação, a ficha ou o aparelho dentro de água ou qualquer outro líquido para proteger contra choques elétricos.

ESPECIFICAÇÃO

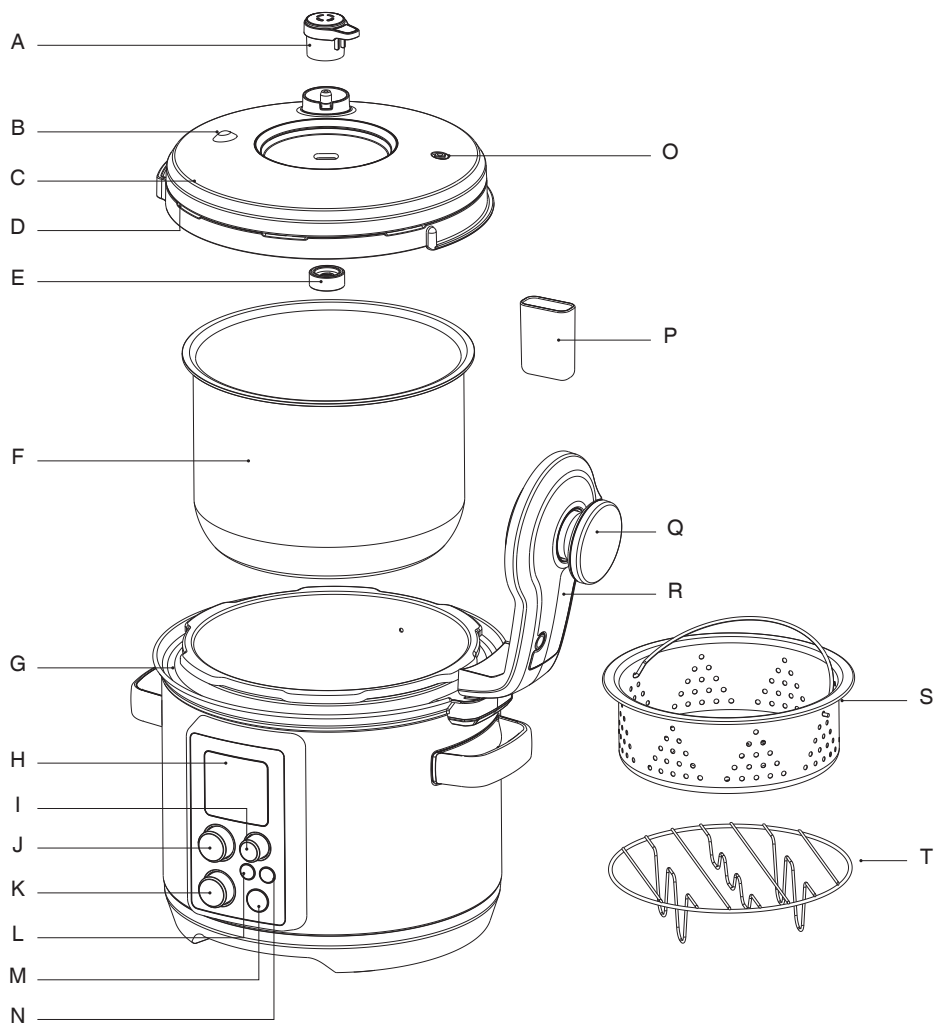
Modelo	SPR700
Volume nominal	6 litros
Volume utilizável	4 litros
Pressão operacional	80 kPa

Estas especificações podem mudar sem aviso prévio.

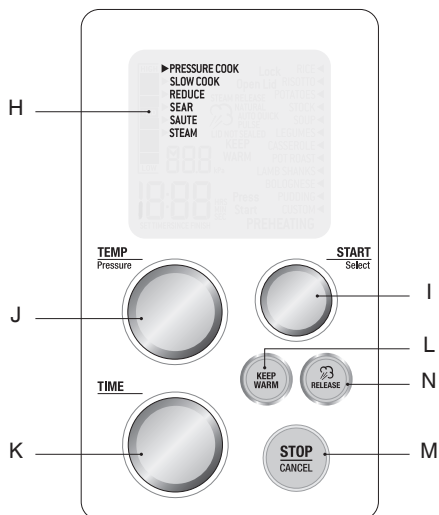
GUARDE ESTAS INSTRUÇÕES



Componentes



Informação de classificação
220-240 V ~ 50-60 Hz 900-1100 W



- | | |
|--|---|
| A. Válvula de libertação da pressão | K. Botão Time (Tempo) |
| B. Válvula de segurança da pressão | L. Keep Warm (Manter Quente) |
| C. Tapa amovível lavável na máquina de lavar louça | M. Stop/Cancel (Parar/Cancelar) |
| D. Junta de silicone da tampa | N. Steam Release (Libertação de Vapor) |
| E. Porca de vedação | O. Pino de bloqueio de segurança |
| F. Panela interior de 6 l | P. Recipiente de recolha da condensação |
| G. Rebordo de limpeza fácil | Q. Botão da tampa |
| H. Ecrã LCD interativo | R. Braço da tampa |
| I. Botão Start/Select (Iniciar/Selecionar) | S. Acessório para cozer a vapor de aço inoxidável |
| J. Botão Temperature/ Pressure (Temperatura/Pressão) | T. Tripé de aço inoxidável |

INFORMAÇÃO DE SEGURANÇA IMPORTANTE RELATIVA À FAST SLOW PRO™

Este aparelho cozinha os alimentos sob pressão e deve ser operado e mantido conforme descrito neste livro. A pressão do ar preso no interior da panela de pressão pode provocar uma situação perigosa se o aparelho não for operado e mantido conforme descrito neste manual.

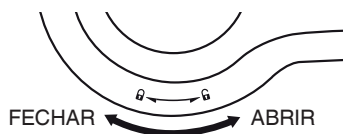
CAPACIDADE DA PAINELA INTERIOR

- Certifique-se sempre de que a panela interior amovível tem o nível correto de líquidos/alimentos.
- Nível "MAX" (Máximo) – Não exceda o nível máximo de enchimento. O enchimento excessivo pode provocar a ocorrência de lesões pessoais ou danos materiais ou afetar o uso seguro da panela de pressão.
- Nível "1/2" (Metade) – Ao cozinhar alimentos que se expandam (como vegetais secos, feijões, cereais, arroz, etc.) NÃO encha além do nível de enchimento médio.
- Nível "MIN" (Mínimo) – Certifique-se de que a panela interior amovível está cheia pelo menos até ao nível de enchimento mínimo para assegurar o funcionamento apropriado e evitar a ocorrência de danos térmicos e incêndios.

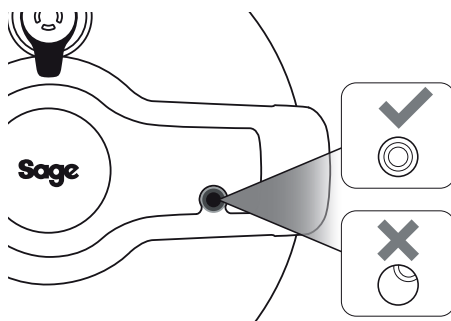
NUNCA FORCE O FECHO DA TAMPA.

FECHAR A TAMPA

- Certifique-se de que a junta de silicone da tampa está corretamente introduzida em torno da reentrância em forma de anel na parte inferior da tampa e que o pino de bloqueio de segurança se move livremente.
- Baixe a tampa para a posição fechada. Rode o botão da tampa no sentido dos ponteiros do relógio em direção ao gráfico do cadeado fechado. A tampa deve fechar-se e trancar na sua devida posição facilmente e com o mínimo de esforço. NÃO APLIQUE PRESSÃO SOBRE A TAMPA OU FORCE-A PARA FECHAR. A panela elétrica irá emitir um alerta sonoro quando a tampa tranca.



- Certifique-se sempre de que o pino de bloqueio de segurança está devidamente alinhado na abertura do braço da tampa e não está restringido de maneira nenhuma.



NOTA

Se o conteúdo da panela elétrica estiver quente ao fechar a tampa, pode ser necessário premir ligeiramente para baixo o botão da tampa enquanto a tampa se encontra na posição desbloqueada, permitindo que a tampa rode facilmente.

LIBERTAÇÃO DE VAPOR MÃOS LIVRES

A panela elétrica tem uma função de libertação de vapor mãos livres automática que ocasionalmente irá libertar vapor à medida que a panela elétrica pressuriza, bem como iniciar automaticamente o ciclo de libertação de vapor depois de cozinhar.

- Nunca coloque as mãos, braços ou face sobre a válvula de libertação da pressão.

Além da função de libertação de vapor mãos livres automática, a pressão pode ser libertada premindo o botão RELEASE (Libertar) ou rodando manualmente a válvula de libertação de pressão.

ABRIR A TAMPA

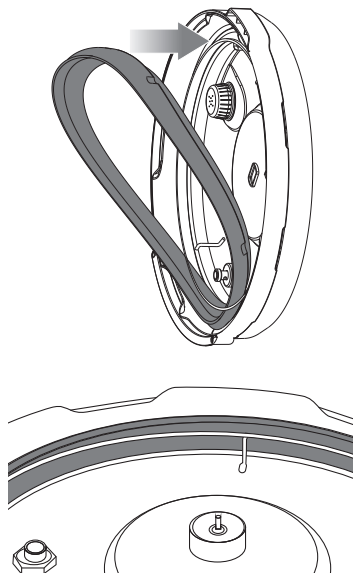
- Rode o botão da tampa no sentido contrário ao dos ponteiros do relógio em direção ao gráfico de cadeado aberto. O alerta da panela de pressão irá emitir um alerta sonoro quando a tampa destranca.
- A tampa deve abrir facilmente se toda a pressão interna tiver sido libertada. Nunca force a tampa para a abrir.
- Se a tampa não se destrancar, ou se sentir resistência, isso pode indicar que a panela de pressão ainda está pressurizada. Prima ininterruptamente o botão RELEASE (Libertar) até toda a pressão interna ser libertada e a tampa se abrir facilmente.

NUNCA FORCE A TAMPA PARA A ABRIR.

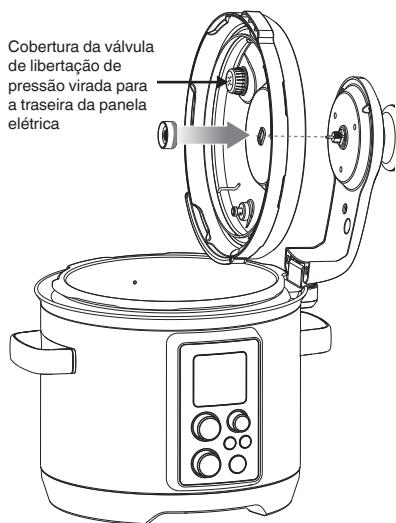
PREPARAR A PAINELA ELÉTRICA FAST SLOW PRO™

1. Remova e elimine em segurança qualquer material de embalagem, etiquetas promocionais e fita adesiva da panela de pressão.
2. Abra a tampa rodando o botão da tampa no sentido contrário ao dos ponteiros do relógio e levantando a tampa para cima e retirando-a do aparelho até estar na posição de dobradiça aberta. Desaperte e remova a porca de vedação do centro da tampa e puxe-a para a afastar para a remover do braço da tampa.
3. Lave a tampa, a panela interior amovível e a junta de silicone da tampa com água quente e detergente e, em seguida, enxague e seque cuidadosamente. Limpe o interior e exterior da base da panela elétrica com um pano suave húmido e deixe secar completamente.

4. A junta de silicone da tampa é reversível e pode ser introduzido em qualquer direção. Insira a junta de silicone da tampa em torno do rebordo exterior da reentrância em forma de anel na parte inferior da tampa. Certifique-se de que está completamente introduzida e alisada de abaixo da reentrância em forma de anel.



5. Só é possível introduzir a tampa de uma maneira, e esta deve ser montada corretamente para a panela de pressão funcionar. Posicione a tampa de maneira que a cobertura da válvula de libertação de vapor fique virada para a traseira da panela de pressão (Imagem A). Alinhe o centro da tampa com o parafuso na parte inferior do braço da tampa (Imagem B) e empurre para a devida posição para expor a rosca do parafuso. Aperte a porca de vedação, com o anel vermelho a tocar na tampa, sobre o parafuso para fixar a tampa. Quando montado, certifique-se de que a válvula de libertação de vapor está corretamente assente na sua devida posição e virada para o botão da tampa.



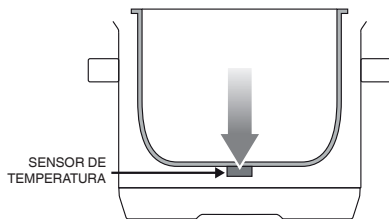
Cobertura da válvula de libertação de pressão virada para a traseira da panela elétrica

Imagem A

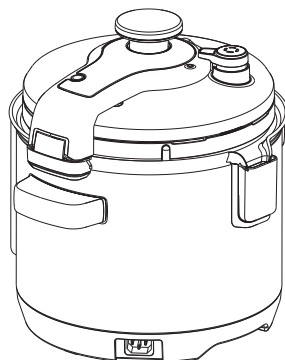
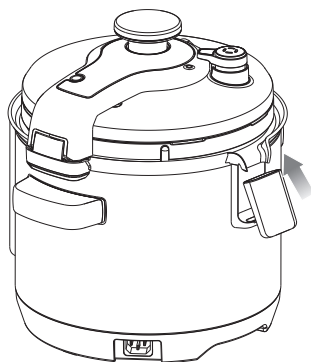


Imagem B

6. Limpe e seque a parte inferior da panela interior amovível e do sensor de temperatura, certificando-se de que não existem quaisquer materiais indesejados na superfície. A panela interior amovível deve ficar assente sobre o sensor de temperatura para assegurar o contacto correto.



7. O recipiente de recolha da condensação emite um clique quando instalado corretamente.



8. Insira a extremidade do conector do cabo de alimentação na base da panela elétrica, certificando-se de que está completamente seco. Insira a ficha numa tomada elétrica de 220–240 V (com ligação à terra).
9. A panela elétrica irá emitir um alerta sonoro e o ecrã LCD acende-se. As opções de configuração irão surgir com um indicado na definição PRESSURE COOK (Cozinhar com Pressão).



Funções

DEFINIÇÕES INTELIGENTES

A panela elétrica Fast Slow Pro™ tem 6 definições inteligentes; Pressure Cook (Cozedura Sob Pressão), Slow Cook (Cozedura Lenta), Reduce (Engrossar), Sear (Selar), Sauté (Saltear) e Steam (Vapor). As definições de cozedura sob pressão e lenta têm uma lista de alimentos normalmente utilizados com tempos e temperaturas de cozedura/níveis de pressão pré-determinados para produzir os melhores resultados, porém recomendamos que faça experiências com estes valores dependendo da receita, quantidade de alimentos e preferência pessoal. Em alternativa, pode selecionar a definição CUSTOM (Personalizado) para selecionar os seus próprios tempos de cozedura e temperaturas/níveis de pressão.

A definição CUSTOM (Personalizado) permanece memorizada na panela. Para repor as predefinições, retire a ficha da tomada elétrica e prima ininterruptamente START / SELECT (Iniciar/Selecionar) enquanto coloca a ficha na tomada elétrica novamente.

LIBERTAÇÃO DE VAPOR MÃOS LIVRES VARIÁVEL

A panela elétrica Fast Slow Pro™ tem 3 métodos de libertação de vapor:

Auto Quick (Libertação Rápida Automática)

A pressão é libertada rapidamente para minimizar a cozedura excessiva dos alimentos ou receitas com tempos de cozedura reduzidos.

Auto Pulse (Pulsação Automática)

A pressão é libertada em rajadas para diminuir a perturbação no interior dos alimentos.

Natural

A pressão diminui naturalmente no interior sem libertar vapor através da abertura de ventilação para impedir a agitação ou separação de ingredientes sensíveis, como talos e feijões, durante a libertação da pressão.

Utilize o botão STEAM RELEASE (Libertação de Vapor) no painel de controlo para selecionar estas opções durante os ciclos de configuração e libertação de vapor.



A válvula de libertação da pressão irá libertar automaticamente o vapor no final do ciclo de cozedura sob pressão depois de selecionar uma opção.

Prime ininterruptamente o botão de libertação de vapor durante ou após um ciclo de cozedura para abrir a válvula de libertação da pressão.



CUIDADO

Mantenha sempre as mãos e face afastadas da válvula de libertação de pressão ao cozinhar sob pressão visto que vapor e água quentes podem ser libertados durante o funcionamento.

AJUSTE DA ALTITUDE

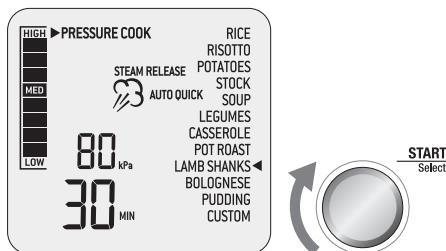
A pressão acumula e aumenta quando a temperatura no interior da panela excede o ponto de ebulição. À medida que a altitude aumenta, a temperatura à qual a água ferve diminui por causa da descida da pressão atmosférica. Isto cria condições muito diferentes para cozinhar com uma panela de pressão.

Para manter resultados de cozedura consistentes às várias altitudes, a panela Fast Slow Pro™ tem uma funcionalidade de Altitude Adjust (Ajuste da Altitude) que ajusta as definições com base na altitude da sua atual localização.

1. Prima ininterruptamente **STOP / CANCEL** (Parar/Cancelar) para ativar o modo Standby (Em Espera) para aceder ao modo Altitude Adjust (Ajuste da Altitude). A retroiluminação do botão apaga-se e o ecrã LCD deixa de estar aceso.
2. Quando no modo Standby (Em Espera), prima ininterruptamente os botões **KEEP WARM** (Manter Quente) e **STEAM RELEASE** (Libertar vapor) durante 2 segundos.
3. Rode o botão **TIME** (Tempo) para inserir a altitude da sua atual localização. Pode ajustar a altitude de 250 m a 1999 m. A panela de pressão não deve ser utilizada a altitudes superiores a 2000 m.
4. Prima o botão **START / SELECT** (Iniciar/Selecionar) para confirmar.
5. As definições da panela elétrica foram agora ajustadas para a sua atual altitude. Para repor a altitude para o nível do mar (predefinição de origem), retire a ficha da tomada elétrica e prima ininterruptamente **START / SELECT** (Iniciar/Selecionar) enquanto coloca a ficha na tomada elétrica novamente.

COZEDURA SOB PRESSÃO

1. Rode o botão **START / SELECT** (Iniciar/Selecionar) até que o indicador alcance a definição **PRESSURE COOK** (Cozedura Sob Pressão). Prima o botão **START / SELECT** (Iniciar/Selecionar) para confirmar.
2. Rode o botão **START / SELECT** (Iniciar/Selecionar) até que o indicador no lado direito do ecrã LCD alcance a definição pretendida.

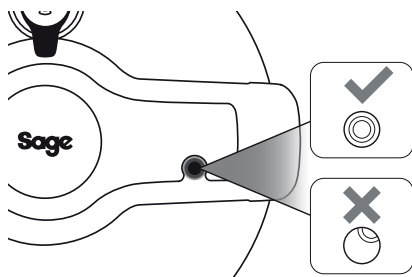


3. O valor superior no ecrã LCD indica o nível de pressão predefinido para a definição selecionada. Rode o botão **TEMPERATURE / PRESSURE** (Temperatura/Pressão) para a esquerda para reduzir a pressão ou para a direita para aumentar a pressão. A pressão pode ser ajustada de 20 kPa (**LOW** [Baixa]) a 80 kPa (**HIGH** [Alta]).
4. O valor inferior no ecrã LCD indica o tempo de cozedura predefinido para a definição selecionada. Rode o botão **TIME** (Tempo) para a esquerda para reduzir o tempo de cozedura ou para a direita para aumentar o tempo de cozedura. O tempo pode ser ajustado até 2 horas.
5. O ícone do valor no ecrã LCD indica o método de libertação de vapor predefinido para a definição selecionada. Prima o botão **STEAM RELEASE** (Libertar vapor) para selecionar entre as opções de libertação de vapor "**AUTO QUICK**" (Libertação Automática), "**AUTO PULSE**" (Pulsção Automática) e "**NATURAL**".

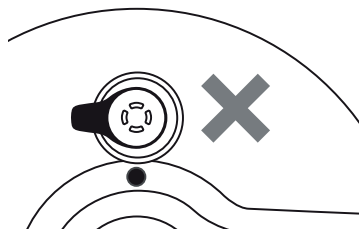
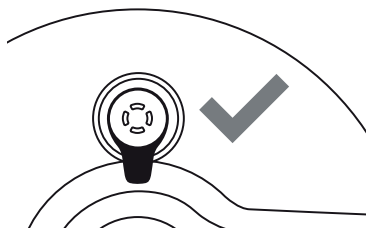
6. Coloque os alimentos na panela interior amovível. Certifique-se de que existe pelo menos 1 L de alimentos e líquido combinados na panela.



7. Feche a tampa e rode o botão da tampa no sentido dos ponteiros do relógio para a trancar na sua devida posição. O alerta da panela de pressão irá emitir um alerta sonoro quando a tampa trancar. Certifique-se de que o pino de bloqueio de segurança está devidamente alinhado na abertura do braço da tampa e não está restringido de maneira nenhuma.



8. Certifique-se de que a válvula de libertação de vapor está colocada na tampa, corretamente assente na sua devida posição e virada para o botão da tampa.



9. Prima o botão START / SELECT (Iniciar/ Selecionar) para iniciar a cozedura. A retroiluminação do botão STOP / CANCEL (Parar/Cancelar) irá acender-se a vermelho, o ecrã LCD irá acender-se a laranja, a indicação "PREHEATING" (Pré-Aquecimento) irá surgir e a barra da pressão à esquerda irá subir para indicar que a pressão está a aumentar na panela.

NOTA

É normal que a panela elétrica liberte pequenas rajadas de vapor à medida que estabiliza a sua pressão interna.

10. A indicação "LOCK LID" (Trancar Tampa) irá surgir no ecrã LCD se a tampa não for trancada corretamente. Rode o botão da tampa no sentido horário para trancar a tampa na sua devida posição.
11. Depois de a panela elétrica ter alcançado a devida pressão, a indicação "PREHEATING" (Pré-Aquecimento) irá apagar-se, o alerta da panela elétrica irá soar, o temporizador irá iniciar a contagem decrescente e a barra de pressão irá indicar a atual pressão na panela.
12. Rode o botão TIME (Tempo) durante o ciclo de cozedura sob pressão para ajustar o tempo. Prima o botão STOP / CANCEL (Parar/Cancelar) para ativar uma pausa do ciclo a qualquer altura. Prima ininterruptamente o botão STOP / CANCEL (Parar/Cancelar) durante 2 segundos para terminar o ciclo. Se já houver pressão no interior da panela, esta irá passar automaticamente para o ciclo de libertação do vapor.

13. No final do ciclo de cozedura sob pressão, o alerta da panela elétrica irá soar e será libertado automaticamente vapor através da válvula de libertação da pressão. O ícone do vapor irá piscar, o temporizador irá iniciar a contagem decrescente e a barra de pressão irá diminuir a atual pressão no vaso. Se selecionar a opção de libertação do vapor NATURAL, a pressão irá naturalmente diminuir na panela sem forçar o vapor através da válvula de libertação da pressão. É possível alterar a definição de libertação do vapor durante o ciclo de libertação do vapor; para tal, prima o botão STEAM RELEASE (Libertar Vapor).
14. No final do ciclo de libertação do vapor, a panela elétrica irá emitir um alerta sonoro e o ecrã LCD irá acender-se e o temporizador irá iniciar a contagem crescente.
15. Abra a tampa rodando o botão da tampa no sentido contrário ao dos ponteiros do relógio e levante-a cuidadosamente para a posição de dobradiça aberta.
16. O modo de Standby (Em Espera) após 5 minutos de inatividade. A retroiluminação do botão apaga-se e o ecrã LCD deixa de estar aceso.



CUIDADO

Nunca coloque a face ou mãos sobre a panela ao remover a tampa para evitar queimaduras devido à saída do vapor.

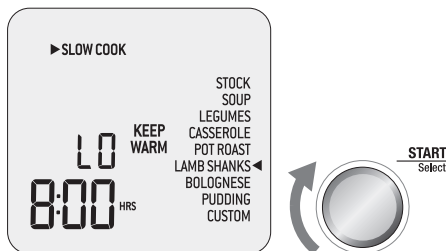


NOTA

Se a tampa não se destrancar, isso pode indicar que o aparelho ainda está sob pressão. Não force a abertura da tampa visto que qualquer pressão restante pode ser perigosa. Prima o botão STEAM RELEASE (Libertar Vapor) até toda a pressão interna ser libertada e a tampa se abrir facilmente.

COZEDURA LENTA

1. Rode o botão START / SELECT (Iniciar/ Selecionar) até o indicador alcançar a definição SLOW COOK (Cozedura Lenta). Prima o botão START / SELECT (Iniciar/ Selecionar) para confirmar.
2. Rode o botão START / SELECT (Iniciar/ Selecionar) até que o indicador no lado direito do ecrã LCD alcance a definição pretendida.



3. O valor superior no ecrã LCD indica a temperatura predefinida para a definição selecionada. Rode o botão TEMPERATURE / PRESSURE (Temperatura/ Pressão) para a esquerda para reduzir a temperatura ou para a direita para aumentar a temperatura. A temperatura pode ser ajustada para uma de duas temperaturas predefinidas; "LO" (Baixa) ou "HI" (Alta).
4. O valor inferior no ecrã LCD indica o tempo de cozedura predefinido para a definição selecionada. Rode o botão TIME (Tempo) para a esquerda para reduzir o tempo de cozedura ou para a direita para aumentar o tempo de cozedura. O tempo pode ser ajustado entre 2 e 12 horas.
5. A indicação "KEEP WARM" (Manter Quente) indica que a função KEEP WARM irá ser automaticamente ativada após o ciclo SLOW COOK (Cozedura Lenta). Prima o botão KEEP WARM (Manter Quente) no painel de controlo para selecionar ou anular a seleção da função.

6. Coloque os alimentos na panela interior amovível. Certifique-se de que existe pelo menos 1 L de alimentos e líquido combinados na panela.



7. Feche a tampa, rode e alinhe para a posição de bloqueio.
8. Certifique-se de que o peso da válvula de libertação da pressão está instalado na tampa e na posição fechada.
9. Prima o botão **START / SELECT** (Iniciar/Selecionar) para iniciar a cozedura. A retroiluminação do botão **STOP / CANCEL** (Parar/Cancelar) irá acender-se a vermelho e o ecrã LCD irá acender-se a laranja.
10. O temporizador será apresentado e irá iniciar automaticamente a contagem decrescente. Rode o botão **TIME** (Tempo) durante o ciclo de cozedura lenta para ajustar o tempo. Prima o botão **STOP / CANCEL** (Parar/Cancelar) para ativar uma pausa do ciclo a qualquer altura. Prima ininterruptamente o botão **STOP / CANCEL** (Parar/Cancelar) durante 2 segundos para terminar o ciclo.
11. No final do ciclo de cozedura lenta, a panela irá automaticamente passar para a função **KEEP WARM** (Manter Quente). O ecrã LCD irá exibir a indicação "**KEEP WARM**" (Manter Quente) e o temporizador irá iniciar a contagem crescente até um período máximo de 2 horas. Prima o botão **STOP / CANCEL** (Parar/Cancelar) para ativar uma pausa do ciclo **KEEP WARM** (Manter Quente) a qualquer altura.
12. O alerta da panela irá soar, a retroiluminação do botão **STOP / CANCEL** (Parar/Cancelar) irá apagar-se e o ecrã LCD irá acender-se a azul se a função **KEEP WARM** (Manter Quente) não tiver sido selecionada.
13. O modo de **Standby** (Em Espera) após 5 minutos de inatividade. A retroiluminação do botão apaga-se e o ecrã LCD deixa de estar aceso.

REDUCE (REDUZIR)

A definição **REDUCE** (Reduzir) é a opção ideal para engrossar e intensificar o sabor dos molhos, xaropes e caldos.

1. Rode o botão **START / SELECT** (Iniciar/Selecionar) até o indicador alcançar a definição **REDUCE** (Reduzir). Prima o botão **START / SELECT** (Iniciar/Selecionar) para confirmar.
2. O valor superior no ecrã LCD indica a temperatura predefinida para a definição **REDUCE** (Reduzir). Rode o botão **TEMPERATURE / PRESSURE** (Temperatura/Pressão) para a esquerda para reduzir a temperatura ou para a direita para aumentar a temperatura. A temperatura pode ser ajustada para uma de três temperaturas predefinidas; "**LO**" (Baixa), "**MED**" (Média) ou "**HI**" (Alta).
3. O valor inferior no ecrã LCD indica o tempo de cozedura predefinido para a definição **REDUCE** (Reduzir). Rode o botão **TIME** (Tempo) para a esquerda para reduzir o tempo de cozedura ou para a direita para aumentar o tempo de cozedura. O tempo pode ser ajustado até 2 horas.
4. Coloque o líquido a reduzir na panela amovível.



NOTA

Remove a carne ou vegetais cozinhados se quiser reduzir o molho de cozedura sob pressão e lenta.

Quando o molho tiver alcançado a consistência correta e o sabor pretendido, volte a introduzir a carne e permita que aqueça novamente durante alguns minutos antes de servir.

5. Prima o botão **START / SELECT** (Iniciar/Selecionar) para iniciar a cozedura. A retroiluminação do botão **STOP / CANCEL** (Parar/Cancelar) irá acender-se a vermelho, o ecrã LCD irá acender-se a laranja e a indicação "**PREHEATING**" (Pré-Aquecimento) será apresentada.
6. Mantenha a tampa aberta na posição com dobradiça. O alerta da panela irá soar e a indicação "**OPEN LID**" (Abrir Tampa) irá surgir no ecrã LCD se a tampa não tiver sido aberta.

7. A indicação "PREHEATING" (Pré-Aquecimento) irá apagar-se quando a panela tiver alcançado a temperatura pretendida.
 8. O temporizador irá iniciar a contagem decrescente. Rode o botão TIME (Tempo) durante o ciclo de redução para ajustar o tempo. Prima o botão STOP / CANCEL (Parar/Cancelar) para ativar uma pausa do ciclo a qualquer altura. Prima ininterruptamente o botão STOP / CANCEL (Parar/Cancelar) durante 2 segundos para terminar o ciclo.
 9. O alerta da panela elétrica irá soar, a retroiluminação do botão STOP / CANCEL (Parar/Cancelar) apaga-se e o ecrã LCD acende-se a azul no final do ciclo de redução.
 10. O modo de Standby (Em Espera) após 5 minutos de inatividade. A retroiluminação do botão apaga-se e o ecrã LCD deixa de estar aceso.
5. O temporizador irá iniciar a contagem crescente até um período máximo de 45 horas. Prima o botão STOP / CANCEL (Parar/Cancelar) para ativar uma pausa do ciclo a qualquer altura. Prima ininterruptamente o botão STOP / CANCEL (Parar/Cancelar) durante 2 segundos para terminar o ciclo.
 6. O alerta da panela elétrica irá soar, a retroiluminação do botão STOP / CANCEL (Parar/Cancelar) irá apagar-se e o ecrã LCD irá acender-se a azul no final do ciclo de selagem.
 7. O modo de Standby (Em Espera) após 5 minutos de inatividade. A retroiluminação do botão apaga-se e o ecrã LCD deixa de estar aceso.

SAUTÉ (SALTEAR)

A definição SAUTÉ (Saltear) é a opção ideal para amolecer e caramelizar alho, cebolas e bocados mais pequenos de alimentos antes da cozedura sob pressão ou lenta.

SEAR (SELAR)

A definição SEAR (Selar) foi concebida para melhorar e aprofundar o sabor das refeições utilizando a mesma panela interior para caramelizar e dar mais cor aos alimentos antes da cozedura sob pressão ou lenta.

1. Rode o botão START / SELECT (Iniciar/Selecionar) até o indicador alcançar a definição SEAR (Selar). Prima o botão START / SELECT (Iniciar/Selecionar) para confirmar.
 2. A retroiluminação do botão STOP / CANCEL (Parar/Cancelar) irá acender-se a vermelho, o ecrã LCD irá acender-se a laranja e a indicação "PREHEATING" (Pré-Aquecimento) será apresentada.
 3. Mantenha a tampa aberta na posição com dobradiça. O alerta da panela irá soar e a indicação "OPEN LID" (Abrir Tampa) irá surgir no ecrã LCD se a tampa não tiver sido aberta.
 4. A indicação "PREHEATING" (Pré-Aquecimento) irá apagar-se quando a panela tiver alcançado a temperatura pretendida. Coloque os alimentos a cozinhar na panela interior amovível.
1. Rode o botão START / SELECT (Iniciar/Selecionar) até o indicador alcançar a definição SAUTÉ (Saltear). Prima o botão START / SELECT (Iniciar/Selecionar) para confirmar.
 2. O valor superior no ecrã LCD indica a temperatura predefinida para a definição SAUTÉ (Saltear). Rode o botão TEMPERATURE / PRESSURE (Temperatura/Pressão) para a esquerda para reduzir a temperatura ou para a direita para aumentar a temperatura. A temperatura pode ser ajustada para uma de três temperaturas predefinidas; "LO" (Baixa), "MED" (Média) ou "HI" (Alta).
 3. Prima o botão START / SELECT (Iniciar/Selecionar) para iniciar a cozedura. A retroiluminação do botão STOP / CANCEL (Parar/Cancelar) irá acender-se a vermelho, o ecrã LCD irá acender-se a laranja e a indicação "PREHEATING" (Pré-Aquecimento) será apresentada.
 4. Mantenha a tampa aberta na posição com dobradiça. O alerta da panela irá soar e a indicação "OPEN LID" (Abrir Tampa) irá surgir no ecrã LCD se a tampa não tiver sido aberta.

5. A indicação "PREHEATING" (Pré-Aquecimento) irá apagar-se quando a panela tiver alcançado a temperatura pretendida. Coloque os alimentos a cozinhar na panela interior amovível.
6. O temporizador irá iniciar a contagem crescente. Prima o botão STOP / CANCEL (Parar/Cancelar) para ativar uma pausa do ciclo a qualquer altura. Prima ininterruptamente o botão STOP / CANCEL (Parar/Cancelar) durante 2 segundos para terminar o ciclo.
7. O alerta da panela irá soar, a retroiluminação do botão STOP / CANCEL (Parar/Cancelar) irá apagar-se e o ecrã LCD irá acender-se a azul no final do ciclo de saltear.
8. O modo de Standby (Em Espera) após 5 minutos de inatividade. A retroiluminação do botão apaga-se e o ecrã LCD deixa de estar aceso.
6. Feche a tampa, rode e alinhe para a posição de bloqueio.
7. Remova o peso da válvula de libertação da pressão da tampa.
8. Prima o botão START / SELECT (Iniciar/Selecionar) para iniciar a cozedura. A retroiluminação do botão STOP / CANCEL (Parar/Cancelar) irá acender-se a vermelho, o ecrã LCD irá acender-se a laranja e a indicação "PREHEATING" (Pré-Aquecimento) será apresentada.
9. A indicação "PREHEATING" (Pré-Aquecimento) irá apagar-se quando a panela tiver alcançado a temperatura pretendida.
10. O temporizador irá iniciar a contagem crescente até um período máximo de 45 horas. Rode o botão TIME (Tempo) durante o ciclo de vaporização para ajustar o tempo. Prima o botão STOP / CANCEL (Parar/Cancelar) para ativar uma pausa do ciclo a qualquer altura. Prima ininterruptamente o botão STOP / CANCEL (Parar/Cancelar) durante 2 segundos para terminar o ciclo.

STEAM (VAPOR)

A definição STEAM (Vapor) é a opção ideal para cozer a vapor vegetais, filetes de peixe, bolinhos de massa e reaquecer pratos.

1. Rode o botão START / SELECT (Iniciar/Selecionar) até o indicador alcançar a definição STEAM (Vapor). Prima o botão START / SELECT (Iniciar/Selecionar) para confirmar.
2. O valor inferior no ecrã LCD indica o tempo de cozedura predefinido para a definição STEAM (Vapor). Rode o botão TIME (Tempo) para a esquerda para reduzir o tempo de cozedura ou para a direita para aumentar o tempo de cozedura. O tempo pode ser ajustado até 1 hora.
3. Encha a panela interior amovível com água até à marca do nível MIN (Mínimo). Durante a vaporização, verifique o nível da água e adicione água quando necessário.
4. Insira o tripé na panela e coloque o cesto de vaporização na parte superior. Se for reaquecer pratos, coloque o prato na parte superior do tripé.
5. Organize os alimentos no vaporizador com folgas de 1 cm entre os alimentos para que o vapor possa fluir uniformemente em torno de todos os lados.
11. O alerta da panela elétrica irá soar, a retroiluminação do botão STOP / CANCEL (Parar/Cancelar) apaga-se e o ecrã LCD acende-se a azul no final do ciclo de vaporização.
12. Verifique os níveis de água e adicione mais água conforme necessário se precisar de vaporização adicional.
13. O modo de Standby (Em Espera) após 5 minutos de inatividade. A retroiluminação do botão apaga-se e o ecrã LCD deixa de estar aceso.



Cuidados e limpeza

A panela interior, corpo exterior, tampa e acessórios devem ser limpas cuidadosamente antes de cada utilização.

Antes de limpar, certifique-se de que a panela elétrica está desligada; para tal, prima ininterruptamente o botão STOP / CANCEL (Parar/Cancelar) no painel de controlo. A panela elétrica está desligada quando a retroiluminação do botão já não estiver acesa.

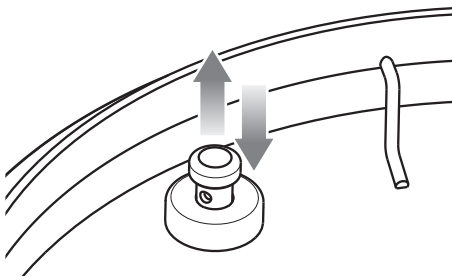
Retire a ficha do cabo de alimentação da tomada elétrica e remova a extremidade do conector do cabo de alimentação da base da panela elétrica. Aguarde até que a panela e todos os acessórios arrefeçam na totalidade antes de os desmontar e limpar.

LIMPAR A PAINELA INTERIOR E CORPO EXTERIOR

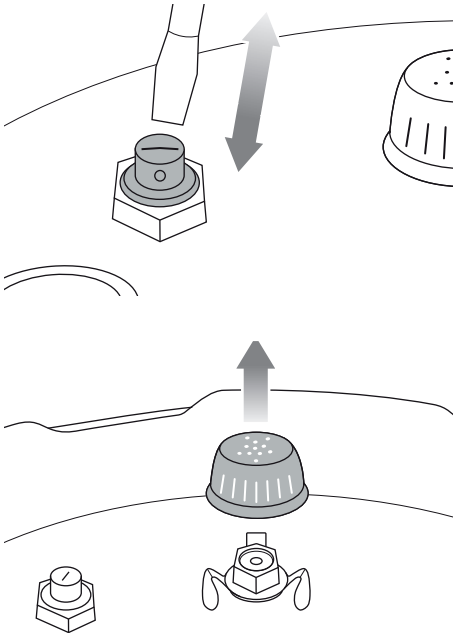
1. A panela interior amovível pode ser lavada na máquina de lavar louça. Porém, para manter a integridade do revestimento cerâmico, recomendamos que lave a panela interior com água morna e detergente. Enxague com água limpa e deixe secar devidamente.
2. Limpe o rebordo e o corpo exterior com uma esponja macia humedecida. Pode utilizar um produto de limpeza líquido não abrasivo ou solução de pulverização suave para evitar a acumulação de manchas. Antes de limpar, aplique o produto de limpeza líquido na esponja e não diretamente na superfície da panela elétrica.
3. Puxe suavemente a parte inferior do recipiente de recolha da condensação para o remover do corpo. Lave com água morna e detergente, enxague com água limpa, seque cuidadosamente e reinstale na sua devida posição.
4. Limpe o ecrã LCD com um pano macio humedecido. A limpeza com pano seco ou produtos de limpeza abrasivos pode riscar a superfície.
5. Aguarde até que todas as superfícies estejam devidamente secas antes de introduzir a ficha do cabo de alimentação numa tomada elétrica e ligue a panela.

LIMPAR A TAMPA

1. Remova a válvula de libertação da pressão da tampa.
2. Abra a tampa rodando o botão da tampa no sentido contrário ao dos ponteiros do relógio, levantando a tampa para cima e retirando-a do aparelho até estar na posição de dobradiça aberta. Desaperte e remova a porca de vedação do centro da tampa e puxe-a para a afastar para a remover do braço da tampa.
3. Puxe suavemente a junta de silicone da tampa para fora do rebordo exterior da reentrância em forma de anel na parte inferior da tampa.
4. Lave a porca de vedação e a válvula de libertação da pressão com água morna com sabão. Enxague com água limpa e deixe secar devidamente.
5. Lave a junta de silicone da tampa e a tampa na prateleira superior da máquina de lavar louça. Em alternativa, lave com água morna e detergente, enxague com água limpa e deixe secar devidamente.
6. Depois de limpar a tampa, inspecione regularmente e certifique-se do seguinte:
 - a) O pino de bloqueio de segurança move-se para cima e baixo livremente. Remova sempre quaisquer resíduos de óleo ou alimentos presentes nesta área.



- b) A válvula de libertação da pressão e cobertura estão limpas e livres de quaisquer resíduos de alimentos ou líquidos. Para limpar, rode e puxe a cobertura da válvula de libertação da pressão para fora da tampa, limpe com um pano humedecido com detergente, enxague e seque cuidadosamente. Reinstale a cobertura na sua posição original.



- c) A válvula de libertação da pressão está limpa e livre de quaisquer resíduos de alimentos ou líquidos. Para limpar, empurre a válvula a partir do interior para que a válvula permaneça aberta na tampa e remova quaisquer resíduos de óleos ou alimentos. Certifique-se de que a válvula se move para dentro e fora suavemente após a limpeza.

7. Encaixe a junta de silicone da tampa limpa firmemente em torno do rebordo exterior da reentrância em forma de anel na parte inferior da tampa. Ajuste a posição se necessário de maneira que fique assente confortavelmente e esteja livre de quaisquer distorções.
8. Para reencaixar a tampa, oriente a tampa de maneira que o invólucro da válvula de libertação do vapor esteja virado para a traseira da unidade e, em seguida, alinhe o centro da tampa com o parafuso na parte inferior do braço da tampa e empurre para a devida posição para expor a rosca do parafuso. Fixe a tampa enroscando a porca de vedação de maneira que a vedação vermelha toque na superfície da tampa.

LIMPAR O TABULEIRO DE VAPORIZAÇÃO E O TRIPÉ

1. Lave todos os acessórios com água morna e detergente com uma esponja macia ou esfregão plástico macio. Enxague e deixe secar devidamente. Não utilize produtos de limpeza abrasivos, esfregões metálicos ou utensílios metálicos para limpar qualquer um dos acessórios visto que podem danificar as suas superfícies.
2. Não recomendamos a colocação dos acessórios na máquina de lavar louça para prolongar a vida útil dos mesmos.



SUGESTÃO

Para ajudar a eliminar os odores dos alimentos, combine 2 chávenas (500 ml) de água quente, ½ chávena (125 ml) de sumo de limão, 1 colher de sopa de casca de limão e 1 colher de sopa de extrato de baunilha na panela interior amovível. Cozinhe sob pressão a 80 kPa durante 5 minutos utilizando a função de libertação de vapor Natural.

ARMAZENAMENTO

1. Certifique-se de que a panela está desligada; para tal, prima o botão STOP / CANCEL (Parar/Cancelar) no painel de controlo. A panela elétrica está desligada quando a retroiluminação do botão já não estiver acesa.
2. Retire a ficha do cabo de alimentação da tomada elétrica. Aguarde até que a panela e todos os acessórios arrefeçam na totalidade antes de os desmontar e limpar.
3. Certifique-se de que a panela elétrica e todos os acessórios estão limpos e secos.
4. Certifique-se de que a panela está inserida no corpo da panela elétrica; o tripé é inserido no tabuleiro de vaporização e colocado dentro da panela interior.
5. Certifique-se de que a tampa está fechada e trancada na sua devida posição.
6. Armazene o aparelho na vertical com os seus pés de apoio nivelados. Não armazene nada na parte superior do aparelho.



Resolução de problemas

PROBLEMA

Não é possível abrir a tampa no final do ciclo de cozedura

SOLUÇÃO FÁCIL

- Prima o botão STEAM RELEASE (Libertar Vapor) até que toda a pressão interna seja libertada e seja possível abrir a panela.
- Depois de libertar toda a pressão interna utilizando o botão STEAM RELEASE (Libertar Vapor), rode a válvula de libertação da pressão para a posição aberta, na direção oposta à do botão da tampa.
- Se isto ocorrer frequentemente, é possível que seja necessário ajustar a panela elétrica para a altitude atual. Cumpra as instruções fornecidas na secção "Ajuste da Altitude" na página 14.

A indicação "Open Lid" (Abrir Tampa) é apresentada no ecrã LCD quando a tampa está aberta

- Rode o botão da tampa no sentido dos ponteiros do relógio e no sentido contrário.

Está a sair vapor da tampa

OU

O pino de bloqueio de segurança não sobe

OU

A panela elétrica não alcança a pressão

OU

O temporizador não efetua a contagem decrescente

- Monte a tampa corretamente, certificando-se de que não existe nenhuma folga entre o braço da tampa e a tampa de aço inoxidável. A porca de vedação deve ser enroscada firmemente. Cumpra o passo 5 na página 11.
- Certifique-se de que a junta de silicone da tampa está limpa, sem danos ou fissuras e foi introduzida corretamente. Cumpra o passo 4 na página 11.
- Certifique-se de que o pino de bloqueio de segurança se consegue mover livremente para cima e baixo. Cumpra o passo 6a na página 20.
- Quando a tampa está trancada, certifique-se sempre de que o pino de bloqueio de segurança está devidamente alinhado na abertura do braço da tampa. Consulte o passo 7, na página 15.
- Certifique-se de que a válvula de libertação de vapor está corretamente assente na sua devida posição e virada para o botão da tampa. Cumpra o passo 8 na página 15.
- Adicione mais líquidos/alimentos à panela. Deve haver uma quantidade mínima de 1 litro de alimentos e líquido combinados.
- Contacte o serviço de atendimento ao cliente da Sage se o problema persistir.

PROBLEMA

SOLUÇÃO FÁCIL

A panela elétrica passa automaticamente para a função Keep Warm (Manter Quente) sem passar através de um ciclo de cozedura completo

- Adicione mais água à panela interior e reinicie o ciclo.

Está a acumular-se água na bancada da cozinha

- Certifique-se de que a panela elétrica se encontra numa superfície plana e nivelada e que o recipiente de recolha da condensação está instalado na traseira da panela elétrica.
Cumpra as instruções fornecidas na secção "Preparar a Panela Elétrica Fast Slow Pro™" na página 11.
- Esvazie o recipiente de recolha da condensação.



Garantia

GARANTIA LIMITADA DE 2 ANOS

A Sage Appliances fornece uma garantia para este produto para uso doméstico nos territórios especificados de 2 anos a partir da data de compra contra avarias provocadas por defeitos na mão-de-obra e nos materiais. Durante este período da garantia, a Sage Appliances irá reparar, substituir ou reembolsar qualquer produto defeituoso (sob o critério exclusivo da Sage Appliances).

Todos os direitos legais da garantia ao abrigo da legislação nacional aplicável serão respeitados e não serão afetados pela nossa garantia.

Visite www.sageappliances.com para consultar os termos e condições completos da garantia, bem como as instruções sobre como efetuar uma reclamação.



Notas

the Fast Slow Pro™

BPR700/SPR700



PL INSTRUKCJA OBSŁUGI

Sage®



Spis treści

- 42 Ważne zalecenia dotyczące bezpieczeństwa
- 47 Opis Twojego nowego urządzenia
- 49 Bezpieczne korzystanie z garnka ciśnieniowego Fast Slow Pro™
- 51 Obsługa Twojego nowego urządzenia
- 57 Konserwacja i czyszczenie
- 59 Rozwiązywanie problemów

WAŻNE INFORMACJE DOTYCZĄCE BEZPIECZEŃSTWA

W Sage® zdajemy sobie sprawę z wagi bezpieczeństwa. Projektujemy i produkujemy urządzenia przede wszystkim z troską o bezpieczeństwo użytkownika. Prosimy jednak o ostrożność i przestrzeganie podczas użytkowania urządzenia elektrycznego następujących zaleceń dotyczących bezpieczeństwa.

WAŻNE INFORMACJE DOTYCZĄCE BEZPIECZEŃSTWA

PODCZAS UŻYTKOWANIA URZĄDZEŃ ELEKTRYCZNYCH NALEŻY PRZESTRZEGAĆ PODSTAWOWYCH ZALECEŃ DOTYCZĄCYCH BEZPIECZEŃSTWA:

- Pełny tekst instrukcji dostępny jest na stronach sageappliances.com.
- Nie dopuszczaj dzieci w pobliże urządzenia, dopóki jest używane.
- Nie wkładaj urządzenia do rozgrzanego piekarnika.
- Jeśli garnek ciśnieniowy jest używany i znajduje się pod ciśnieniem, obchodź się nim bardzo ostrożnie. Nie dotykaj gorących powierzchni. Używaj rękojeści i elementów sterujących. Jeśli to konieczne, użyj kuchennych rękawic ochronnych.
- Nie używaj garnka ciśnieniowego do innych celów niż te, do których jest on przeznaczony.
- To urządzenie przyrządza potrawy pod ciśnieniem. Jeśli urządzenie nie jest używane prawidłowo, grozi to ryzykiem poparzenia. Przed włączeniem garnka ciśnieniowego upewnij się, że jest prawidłowo zamknięty. Kieruj się wskazówkami podanymi w niniejszej instrukcji.
- Do otwierania garnka ciśnieniowego nie używaj siły. Nie otwieraj garnka, jeśli

- nie ma pewności, że ciśnienie wewnątrz garnka zostało w pełni odprowadzone. Kieruj się wskazówkami podanymi w niniejszej instrukcji.
- Nigdy nie uruchamiaj garnka ciśnieniowego bez wody. Może wówczas wystąpić ryzyko poważnego uszkodzenia urządzenia.
 - Nie napełniaj garnka wodą ponad $\frac{2}{3}$ jego łącznej objętości. Podczas przygotowywania produktów, które podczas gotowania mogą napęcznieć, takich jak np. ryż, suszone warzywa itp., nie napełniaj garnka wodą powyżej połowy objętości.
 - Grzałka umieszczona jest wewnątrz urządzenia.
 - Po przygotowaniu mięsa ze skórą, które może się pod wpływem ciśnienia zwiększyć, nie przebijaj mięsa, gdy skóra jest spuchnięta; zgromadzony w mięsie sok może wówczas wytrysnąć i spowodować poparzenia.
 - Przyrządzając produkty o twardej lub ciastowatej strukturze, ostrożnie garnkiem potrząśnij, aby zwolnić ciśnienie. Jeśli trzeba, ponownie pozwól parze się wydostać przed samym otwarciem pokrywki.
 - Przed każdym użyciem upewnij się, że wentyle nie są zatkane. Kieruj się instrukcją obsługi.
 - Nigdy nie używaj garnka ciśnieniowego w trybie pod ciśnieniem do smażenia produktów.
 - Nie manipuluj żadnymi systemami bezpieczeństwa poza instrukcjami dotyczącymi konserwacji zawartymi w niniejszym podręczniku.
 - Używaj wyłącznie części zamiennych marki Sage® zgodnych z odpowiednim modelem. Używaj wyłącznie części zamiennych i akcesoriów marki Sage® oznaczonych jako odpowiednie do wykorzystania z tym urządzeniem.
 - Przed pierwszym użyciem upewnij się, że napięcie w gniazdku sieciowym odpowiada napięciu podanemu na tabliczce znamionowej na spodzie urządzenia. W razie jakichkolwiek wątpliwości zwróć się do wykwalifikowanego elektryka.
 - Przed pierwszym użyciem należy usunąć z urządzenia wszystkie materiały pakunkowe, etykiety reklamowe i nalepki.
 - Aby wykluczyć ryzyko uduszenia małych dzieci, usuń opakowanie ochronne wtyczki kabla sieciowego tego urządzenia i w bezpieczny sposób je zutylizuj.
 - Przed podłączeniem urządzenia do gniazdka elektrycznego i jego włączeniem, sprawdź, czy jest kompletnie i prawidłowo zmontowane. Przestrzegaj wskazówek podanych w niniejszej instrukcji obsługi.
 - Podczas podłączania zawsze najpierw wkładaj złącze do urządzenia, a następnie podłączaj wtyczkę kabla zasilania do gniazdka sieciowego. Upewnij się, że oba końce kabla zasilania,

wtyczka urządzenia i gniazdko sieciowe są zupełnie suche.

- Nie dopuść do polania złącza kabla zasilania wodą lub innym płynem.
- Nie dotykaj gorących powierzchni. Podczas użytkowania urządzenie się nagrzewa. Nie dotykaj gorących powierzchni. Aby zapobiec poparzeniom lub obrażeniom osób, zawsze korzystaj z rękawic kuchennych, ochronników kuchennych, uchwytów i innych elementów, jeśli są dostępne.
- Nie używaj urządzenia na krawędzi blatu roboczego lub stołu. Upewnij się, że powierzchnia jest sucha, czysta i że nie ma na niej płynów lub innych substancji.
- Zawsze upewnij się, że powierzchnia, na której umieszczone jest urządzenie, jest stabilna i odporna na ciepło. Nie stawiaj urządzenia na powierzchni pokrytej tkaniną. Nie stawiaj urządzenia w pobliżu ścian, zasłon lub innych materiałów wrażliwych na ciepło lub parę. Minimalna odległość od takich powierzchni wynosi 20 cm.
- Nie należy stawiać urządzenia na kuchence gazowej lub elektrycznej ani w jej pobliżu, ani w miejscach, gdzie mogłoby dotykać gorącego piecyka.
- Nie korzystaj z urządzenia na metalowym podłożu, na przykład w zlewie.
- Nie stawiaj uruchomionego urządzenia na kamiennej ławce.

Powierzchnie ławek są wrażliwe na nierównomierną temperaturę i mogą pęknąć, jeśli ogrzeją się w jednym miejscu. Jeśli musisz postawić garnek na ławce, najpierw połóż na ławkę grubą deskę lub podkładkę termoodporną.

- Na zmontowanym, używanym lub przechowywanym garnku nie kładź nic poza pokrywką.
- Nie używaj uchwytu pokrywki do podnoszenia całego garnka.
- Przed włożeniem miski upewnij się, że wyjmowana miska do przygotowywania potraw i wewnętrzna powierzchnia nierdzewna są zupełnie czyste.
- Nie używaj urządzenia z uszkodzoną wyjmowaną miską do przygotowania potraw. Oddaj ją do wymiany.
- Nie wkładaj produktów spożywczych ani płynów bezpośrednio do wnętrza garnka. Zawsze korzystaj z wyjmowanej miski do przygotowania potraw.
- Przed użyciem zawsze kontroluj ciśnieniowy wentyl odpowietrzający oraz bezpiecznik i wyczyść je w razie potrzeby. Skontroluj, czy bezpiecznik swobodnie się porusza, gdy delikatnie go przyciśniesz w dolnej części.
- Nie dotykaj ciśnieniowego wentyla odpowietrzającego, jeśli urządzenie jest używane.
- Używaj przycisku RELEASE do zwalniania ciśnienia (pary) z garnka po jego użyciu.
- Do czyszczenia urządzenia nie używaj ostrych środków ściernych

ani żrących środków czyszczących. Utrzymuj urządzenie w czystości. Przestrzegaj wskazówek dotyczących czyszczenia, podanych w niniejszej instrukcji obsługi.

- Nie pozostawiaj włączonego urządzenia bez nadzoru.

WAŻNE WSKAZÓWKI DOTYCZĄCE BEZPIECZNEGO KORZYSTANIA ZE WSZYSTKICH URZĄDZEŃ ELEKTRYCZNYCH

- Nie używaj urządzenia, jeśli jest zużyte, spadło lub jest w jakikolwiek sposób uszkodzone.
- Przed użyciem rozwiń całkowicie kabel zasilania.
- Nie przewieszaj kabla zasilającego przez krawędź stołu lub blatu roboczego. Zadbaj o to, aby nie dotykał gorących powierzchni ani się nie zaplątał.
- Podłącz urządzenie do gniazdka sieciowego o napięciu 220–240 V.
- Wyłącz urządzenie, odłącz kabel zasilający z gniazdka i pozostaw urządzenie do wystygnięcia zawsze, gdy ma ono pozostać bez nadzoru, po zakończeniu używania, przed rozpoczęciem czyszczenia, przeniesieniem w inne miejsce, demontażem, złożeniem lub przechowywaniem.

- Dzieci powyżej 8 roku życia oraz osoby o ograniczonych zdolnościach fizycznych, sensorycznych i umysłowych lub niewielkim doświadczeniu i wiedzy mogą korzystać z niniejszego urządzenia, o ile jest nad nimi sprawowany nadzór lub zostały one pouczone o korzystaniu z urządzenia w bezpieczny sposób i zdają sobie sprawę z ewentualnego niebezpieczeństwa.
- Dzieciom nie wolno bawić się urządzeniem.
- Czyszczenie i konserwację przeprowadzaną przez użytkownika można powierzyć dzieciom tylko w przypadku, że ukończyły 8 rok życia i są pod nadzorem.
- Urządzenie i jego kabel zasilający należy przechowywać poza zasięgiem dzieci poniżej 8 roku życia.
- Zaleca się przeprowadzanie regularnych przeglądów urządzenia. Nie korzystaj z urządzenia, jeśli jest w jakikolwiek sposób uszkodzone lub jeśli uszkodzony jest kabel zasilający lub wtyczka. Naprawy i konserwację wykraczającą poza zwykłe czyszczenie należy powierzyć najbliższemu autoryzowanemu serwisowi Sage lub znaleźć pomoc na sageappliances.com.
- Wykorzystanie wyposażenia, które nie jest sprzedawane lub zalecane przez Sage®, może spowodować wybuch pożaru,

porażenie prądem elektrycznym lub obrażenia.


- Urządzenie jest przeznaczone wyłącznie do użytku w domu. Nie używaj urządzenia do innych celów niż te, do których jest ono przeznaczone. Nie używaj tego urządzenia w poruszających się pojazdach ani na statkach. Nie należy korzystać z niego na dworze. W przeciwnym razie istnieje ryzyko powstania obrażeń.
- Urządzenia nie należy obsługiwać przy pomocy zewnętrznego timera lub osobnego pilota zdalnego sterowania.
- Zaleca się zainstalowanie ochronnika przepięciowego (standardowy włącznik w gniazdku) w celu zagwarantowania zwiększonej ochrony podczas użytkowania urządzenia. Zaleca się, aby ochronnik przepięciowy (z nominalnym prądem szczytkowym max. 30 mA) był zainstalowany w obwodzie elektrycznym, w którym urządzenie będzie użytkowane. Zwróć się do swego elektryka o specjalistyczną pomoc.

SPECYFIKACJA

Model	SPR700
Całkowita pojemność nominalna	6 litrów
Pojemność użytkowa	4 litry
Ciśnienie robocze	80 kPa

Niniejsze parametry techniczne mogą się zmieniać bez wcześniejszego uprzedzenia.



Ten symbol umieszczony na produktach lub w dokumentacji przewodniej  oznacza, że zużyte urządzenia elektryczne lub elektroniczne nie mogą być wyrzucane wraz ze zwykłym odpadem komunalnym. Aby je prawidłowo zutylizować, odnowić lub poddać recyklingowi, oddaj te wyroby do odpowiednich punktów skupiu. Szczegółowych informacji udzieli najbliższy lokalny urząd lub najbliższy punkt zbiórki odpadów.

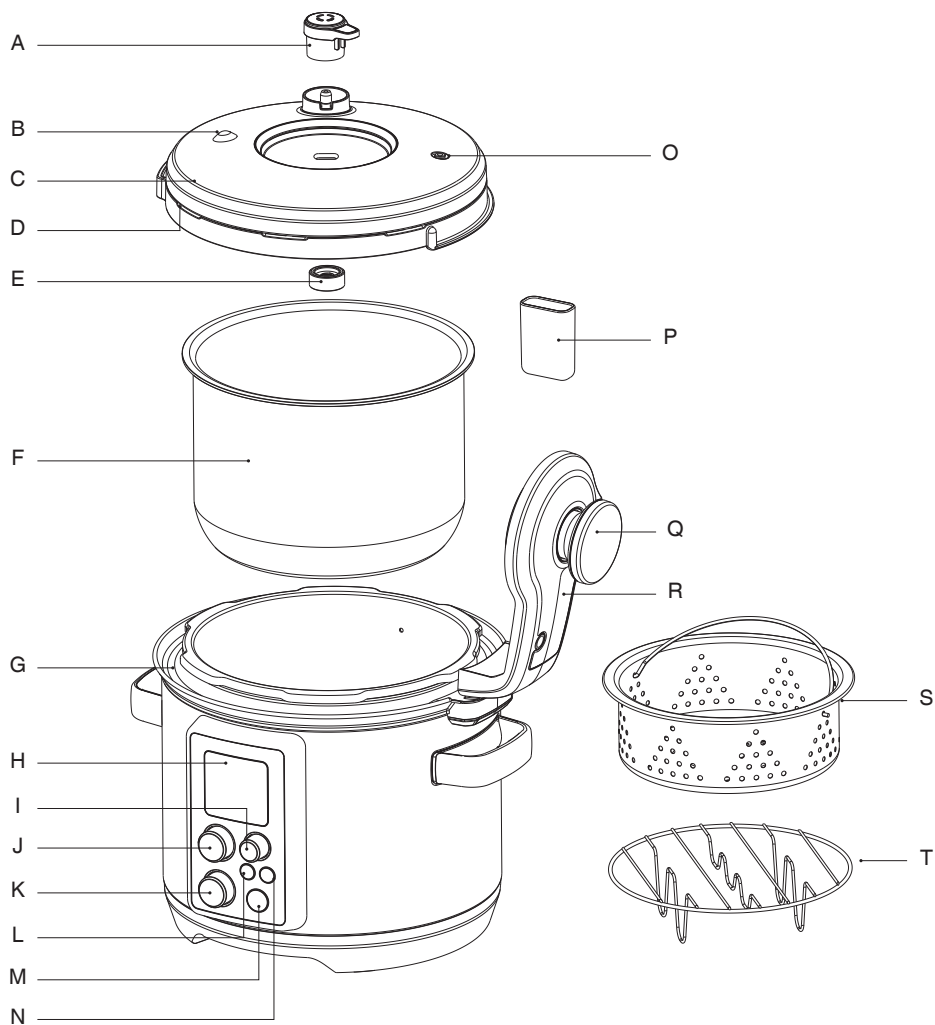


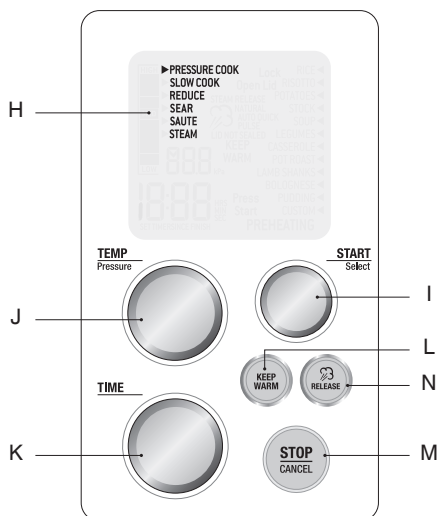
Aby uniknąć porażenia prądem elektrycznym, nie wolno zanurzać przewodu zasilającego, wtyczki przewodu zasilającego lub korpusu urządzenia w wodzie lub innej cieczy.

ZACHOWAJ NINIEJSZE INSTRUKCJE



Opis Twojego nowego urządzenia





- | | |
|--|--|
| <p>A. Ciśnieniowy wentyl odpowietrzający</p> <p>B. Ciśnieniowy wentyl bezpieczeństwa</p> <p>C. Wyjmowana pokrywka, można myć w zmywarce do naczyń</p> <p>D. Silikonowa uszczelka pokrywki</p> <p>E. Nakrętka uszczelniająca</p> <p>F. 3 Wyjmowana miska do przygotowania potraw, 6 l</p> <p>G. Łatwe utrzymanie krawędzi</p> <p>H. Interaktywny wyświetlacz LCD</p> <p>I. Regulator Start/Select</p> <p>J. Regulator TEMP/PRESSURE</p> | <p>K. Regulator TIME</p> <p>L. Przycisk KEEP WARM</p> <p>M. Przycisk Stop/Cancel</p> <p>N. Przycisk RELEASE</p> <p>O. Bezpiecznik</p> <p>P. Naczynie na skondensowaną wodę</p> <p>Q. Obrotowy uchwyt pokrywki</p> <p>R. Ramię pokrywki</p> <p>S. Nierdzewna nasadka parowa</p> <p>T. Kratka nierdzewna</p> |
|--|--|

CE Informacje techniczne
 220–240 V ~ 50–60 Hz 900–1100 W
 Produkt jest zgodny z wymogami UE.

BEZPIECZNE KORZYSTANIE Z GARNKA CIŚNIENIOWEGO FAST SLOW PRO™

To urządzenie przyrządza potrawy pod ciśnieniem i musi być odpowiednio obsługiwane, czyszczone i konserwowane zgodnie z niniejszą instrukcją. Ciśnienie powietrza wewnątrz garnka ciśnieniowego może spowodować niebezpieczne sytuacje, jeśli urządzenie nie jest obsługiwane lub traktowane zgodnie z niniejszą instrukcją obsługi.

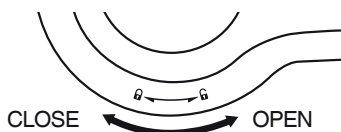
WYJMOWANA MISKA DO PRZYGOTOWANIA POTRAW

- Zawsze upewnij się o prawidłowym poziomie płynu w zależności od produktów, które będą przygotowywane w misce.
- Poziom MAX – poziom wody z włożonymi produktami, ewentualnie tylko poziom samej wody, nie należy nigdy przekraczać oznaczenia MAX. Przepełnienie może spowodować zranienia osób lub uszkodzenie rzeczy w pobliżu lub może mieć wpływ na bezpieczne użytkowanie urządzenia.
- Poziom ½ – przyrządzając potrawy, które mogą napęcznieć (np. suszone warzywa, fasola, bób, ryż itp.) NIE NALEWAJ płynu ponad środkową kreskę.
- Poziom MIN – upewnij się, że wyjmowana miska do przygotowywania potraw jest wypełniona przynajmniej po kreskę MIN, aby zapewnić prawidłowe funkcjonowanie i uniknąć uszkodzenia spowodowanego przez wysoką temperaturę lub wybuchu pożaru.

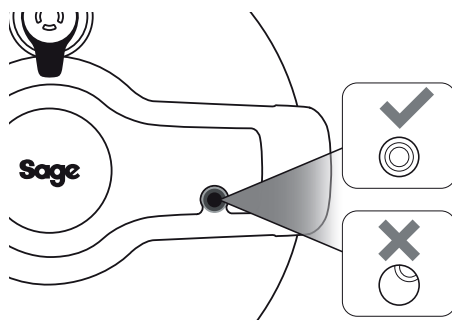
NIE ZAMYKAJ POKRYWKI SIŁĄ.

ZAMYKANIE POKRYWKI

- Upewnij się, że silikonowa uszczelka pokrywy jest prawidłowo założona wokół drucianego kółka na spodniej stronie pokrywy, i że bezpiecznik luźno się porusza.
- Przykryj garnek pokrywką. Obróć uchwytem w kierunku ruchu wskazówek zegara, aż do symbolu zamkniętej kłódki graficznie przedstawionego na pokrywie. Pokrywa powinna się łatwo zamknąć i zablokować bez użycia zbyt dużej siły. NIE ZAMYKAJ POKRYWKI SIŁĄ LUB PRZEZ JAKIKOLWIEK OPÓR W POKRYWCE. Gdy pokrywa jest prawidłowo zablokowana, zabrzmi sygnał dźwiękowy.



- Zawsze upewnij się, że bezpiecznik jest prawidłowo wyrównany w otworze w ramieniu pokrywy i nie jest w żaden sposób przesunięty na bok.



UWAGA

Jeśli zawartość garnka jest gorąca, gdy zamkniesz pokrywkę, niezbędne będzie lekkie przyciśnięcie uchwyty pokrywy przed zablokowaniem, aby można łatwo obrócić uchwytem i ją zablokować.

AUTOMATYCZNE BEZDOTYKOWE PODAWANIE PARY

Garnek wyposażony jest w automatyczne bezdotykowe podawanie pary, które od czasu do czasu uwalnia parę, gdy w garnku gromadzi się ciśnienie, jak i upuszcza parę po zakończeniu przygotowania.

- Nigdy nie zbliżaj dłoni, rąk ani twarzy do ciśnieniowego wentyla odpowietrzającego.

Jednocześnie z bezdotkowym uwolnieniem pary można parę uwolnić także przez wciśnięcie przycisku RELEASE lub ręcznie przez obrót ciśnieniowego wentyla odpowietrzającego.

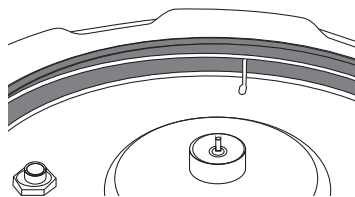
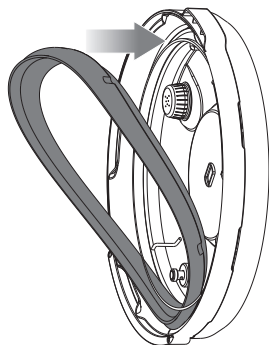
OTWIERANIE POKRYWKI

- Obróć uchwyt w kierunku przeciwnym do ruchu wskazówek zegara, aż do symbolu otwartej kłódki graficznie przedstawionego na pokrywie. Gdy pokrywa jest prawidłowo odblokowana, zabrzmi sygnał dźwiękowy.
- Pokrywkę będzie można otworzyć, jeśli para wewnątrz garnka została uwolniona. Nigdy nie otwieraj pokrywy siłą.
- Jeśli pokrywa się nie otworzy lub jeśli poczujesz opór, garnek może stale znajdować się pod ciśnieniem. Wciśnij i przytrzymaj przycisk RELEASE, aż cała para zostanie uwolniona z garnka, a pokrywa da się łatwo odblokować i otworzyć.

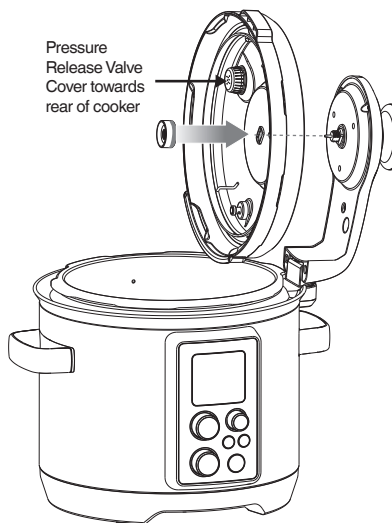
NIGDY NIE OTWIERAJ POKRYWKI SIŁĄ.

BEZPIECZNE KORZYSTANIE Z GARNKA CIŚNIENIOWEGO THE FAST SLOW PRO™

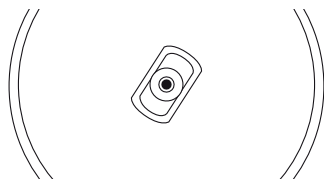
1. Przed pierwszym użyciem usuń z garnka materiał pakunkowy i wszystkie naklejki reklamowe/etykiety.
2. Odblokuj pokrywkę przez obrót uchwytu w kierunku przeciwnym do ruchu wskazówek zegara i otwórz pokrywkę ku górze, aż znajdzie się w otwartej, przewieszanej pozycji. Odkręć i wyjmij nakrętkę uszczelniającą ze środka pokrywy i zdejmij pokrywkę z ramienia.
3. Umyj pokrywkę, wyjmowaną miskę i silikonową uszczelkę pokrywy w ciepłej wodzie z odrobiną płynu do mycia naczyń, następnie optucz i wytrzyj do sucha. Wytrzyj powierzchnię wewnętrzną i zewnętrzną garnka przy pomocy miękkiej gąbki lekko nawilżonej w ciepłej wodzie i wytrzyj do sucha.
4. Silikonowa uszczelka pokrywy jest obustronna i można ją użyć dowolną stroną. Załóż silikonową uszczelkę pokrywy na wewnętrzną krawędź drucianego kółka w spodniej części pokrywy. Upewnij się, że jest prawidłowo założona i pasuje na całej długości drucianego kółka.



5. Pokrywkę można założyć tylko w jeden sposób i musi ona być założona prawidłowo. Umieść pokrywkę tak, aby osłona ciśnieniowego wentyla odpowietrzającego znalazła się w tylnej części garnka (Rysunek A). Wyrównaj środek pokrywy ze śrubą w spodniej części ramienia (Rysunek B) i załóż pokrywkę tak, aby gwint śruby przeszedł przez otwór w pokrywie. Przykręć nakrętkę uszczelniającą na gwint śruby tak, aby czerwone kółko dotykało pokrywy. Gdy pokrywa jest założona, upewnij się, że ciśnieniowy wentyl odpowietrzający jest prawidłowo umieszczony na swoim miejscu i odwrócony do uchwytu pokrywy.

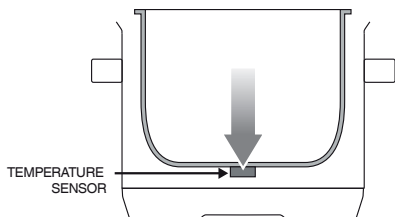


Rysunek A

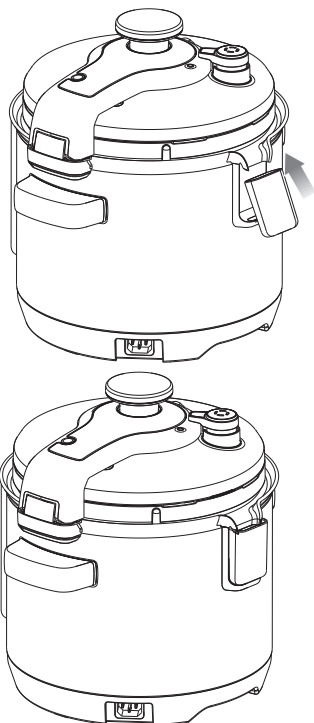


Rysunek B

6. Wytrzyj i osusz dolną część wyjmowanej miski oraz czujnik termiczny, aby się upewnić, że na powierzchni nie ma żadnych resztek płynów i produktów spożywczych. Wyjmowana miska musi być umieszczona równo na czujniku termicznym, aby zagwarantować prawidłowy kontakt.



7. Załóż naczynie na skroploną wodę na swoje miejsce.



8. Upewnij się, że gniazdko w korpusie garnka jest całkiem suche. Następnie włóż końcówkę kabla zasilania do gniazdka w korpusie garnka. Następnie włóż wtyczkę kabla zasilania do gniazdka sieciowego 220–240 V.
9. Zabrzmí sygnał dźwiękowy, a wyświetlacz LCD się podświetli. Pojawia się opcje ustawień, a kursor będzie wskazywał program PRESSURE COOK.



Obsługa Twojego nowego urządzenia

SMART PROGRAMY

Garnek na parę the Fast Slow Pro™ wyposażony jest w 6 smart programów; Pressure Cook (Przyrządzenie w garnku na parę), Slow Cook (Wolne gotowanie), Reduce (Zagęszczanie), Sear (Opiekanie), Sauté a Steam (Przyrządzenie na parze). Programy Pressure Cook i Slow Cook zawierają listę zwykle używanych produktów spożywczych ze zdefiniowanym czasem przyrządzenia i temperaturami / poziomami ciśnienia w celu osiągnięcia najlepszych wyników. Można jednak eksperymentować także z tymi programami w zależności od przepisu, ilości produktów spożywczych i własnych preferencji. Alternatywą może być także program CUSTOM (Własny program), w którym można ustawić indywidualny czas przyrządzenia i temperaturę / poziom ciśnienia.

Program CUSTOM pozostanie zapisany w pamięci garnka. Aby przywrócić ustawienia fabryczne, odłącz garnek z sieci, wciśnij i przytrzymaj przycisk START/SELECT podłączając ponownie do sieci.

AUTOMATYCZNE BEZDOTYKOWE PODAWANIE PARY

Garnek ciśnieniowy the Fast Slow Pro™ jest wyposażony w 3 tryby uwalniania pary:

Auto Quick (automatyczne i szybkie uwalnianie pary)

Para zostaje uwolniona szybko, aby zminimalizować możliwość rozgotowania, ew. jeśli przepis wymaga krótkiego czasu przyrządzenia.

Auto Pulse (automatyczne i stopniowe uwalnianie pary)

Para zostaje uwalniana stopniowo, aby przyrządzone produkty nie uległy zniszczeniu/ dewaluacji.

Natural (naturalne uwalnianie pary)

Para zostaje uwalniana naturalnie, bez użycia ciśnieniowego wentyla odpowietrzającego, aby uniknąć zawirowania lub uszkodzenia kruchych produktów, takich jak wywary i fasola.

Tryby wybieraj wciskając przycisk RELEASE na panelu sterowania podczas ustawiania i podczas uwalniania pary. Po wybraniu trybu ciśnieniowy wentyl odpowietrzający automatycznie uwolni parę na końcu czasu przygotowania.

Przez wciśnięcie i przytrzymanie przycisku RELEASE podczas lub po zakończeniu programu





OSTRZEŻENIE

Nie zbliżaj rąk ani twarzy do ciśnieniowego wentyla odpowietrzającego, ponieważ para jest gorąca i może wytrysnąć także gorąca woda.

USTAWIENIA WYSOKOŚCI NAD POZIOMEM MORZA

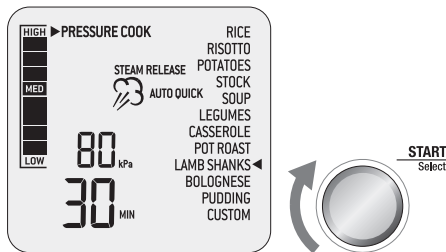
Ciśnienie powstaje i rośnie, gdy temperatura wewnątrz garnka przekracza temperaturę wrzenia. Ze wzrostem wysokości nad poziomem morza temperatura wrzenia spada, co jest efektem obniżonego ciśnienia powietrza. Stwarza to jednak odmienne warunki do przyrządzania produktów spożywczych w garnku ciśnieniowym.

Aby zachować stałe wyniki przyrządzania potraw na różnych wysokościach nad poziomem morza, garnek ciśnieniowy the Fast Slow Pro™ wyposażony jest w opcję regulacji wysokości nad poziomem morza, ustawianej w zależności od jego aktualnej lokalizacji.

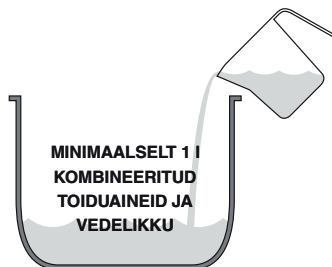
1. Aby wejść w tryb regulacji wysokości nad poziomem morza, wciśnij przycisk STOP/CANCEL, aby przełączyć garnek na tryb czuwania. Podświetlenie przycisków zgaśnie podobnie jak wyświetlacz LCD.
2. Gdy garnek jest w trybie czuwania, wciśnij i przytrzymaj jednocześnie oba przyciski KEEP WARM i RELEASE na około 2 sekundy.
3. Przy pomocy regulatora TIME wprowadź aktualną wysokość nad poziomem morza. Można ją ustawić w zakresie 250–1999 m. Z garnka ciśnieniowego nie można korzystać na wysokości powyżej 2000 m.
4. Wciśnij przycisk START/SELECT, aby potwierdzić.
5. Wysokość nad poziomem morza dla garnka ciśnieniowego została ustawiona. Aby zresetować wysokość nad poziomem morza (ustawienia fabryczne), odłącz garnek z sieci, wciśnij i przytrzymaj przycisk START/SELECT podłączając ponownie do sieci.

PROGRAM PRESSURE COOK (GARNEK CIŚNIENIOWY)

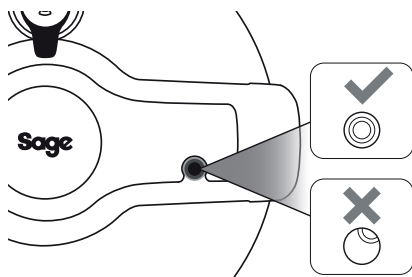
1. Obróć regulator START/SELECT, aż kursor zatrzyma się na PRESSURE COOK. Wciśnij regulator START/SELECT, aby potwierdzić.
2. Obróć regulator START/SELECT, aż kursor zatrzyma się na pożądanej opcji w prawej części wyświetlacza LCD.



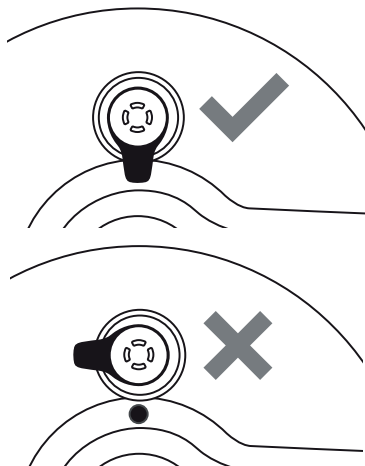
3. Górna wartość na wyświetlaczu LCD podaje domyślny poziom ciśnienia dla wybranej opcji. Obróć regulator TEMP/PRESSURE w lewo, aby obniżyć ciśnienie, lub w prawo, aby zwiększyć ciśnienie. Ciśnienie można ustawić w zakresie od 20 kPa (LOW – niskie ciśnienie) do 80 kPa (HIGH – wysokie ciśnienie).
4. Dolna wartość na wyświetlaczu LCD podaje domyślny czas przyrządzenia dla wybranej opcji. Obróć pokrętkę TIME w lewo, aby skrócić czas przyrządzenia, lub w prawo, aby przedłużyć czas przyrządzenia. Czas przyrządzenia można ustawić maksymalnie na 2 godziny.
5. Ikona na wyświetlaczu LCD wskazuje domyślną metodę uwalniania pary dla wybranej opcji. Przy pomocy przycisku RELEASE można wybrać tryb: „AUTO QUICK”, „AUTO PULSE” i „NATURAL”.
6. Włóż produkty do wyjmowanej miski. Upewnij się, że poziom wody z włożonymi produktami, ewentualnie poziom samej wody, osiąga przynajmniej kreskę MIN (pojemność 1 l).



7. Zamknij pokrywę i obróć uchwyt w kierunku ruchu wskazówek zegara, aby je zamknąć. Gdy pokrywa jest prawidłowo zablokowana, zabrmi sygnał dźwiękowy. Zawsze upewnij się, że bezpiecznik jest prawidłowo wyrównany w otworze w ramieniu pokrywki i nie jest w żaden sposób przesunięty na bok.



8. Upewnij się, że ciśnieniowy wentyl odpowietrzający znajdujący się na pokrywie jest prawidłowo umieszczony w swoim miejscu, i że jest skierowany w stronę uchwyty pokrywki.



9. Wciśnij regulator START/SELECT, aby uruchomić garnek. Przycisk STOP/CANCEL podświetli się na czerwono, wyświetlacz LCD podświetli się na pomarańczowo, na wyświetlaczu pojawi się „PREHEATING”, a ciśnienie w lewej części wyświetlacza będzie stopniowo wzrastać wraz ze wzrostem ciśnienia wewnątrz garnka.



UWAGA

To normalne, że garnek ciśnieniowy uwolni małą ilość pary, aby doszło do stabilizacji ciśnienia wewnątrz garnka.

10. Jeśli pokrywa nie jest prawidłowo zablokowana, na wyświetlaczu LCD pojawi się „LOCK LID” (Zablokuj pokrywę). Obróć uchwyt pokrywki w kierunku ruchu wskazówek zegara, aby zablokować pokrywę i włącz proces przyrządzania.
11. Gdy osiągnięte zostanie potrzebne ciśnienie, „PREHEATING” zniknie, zabrmi sygnał dźwiękowy, włączy się czasomierz, wzrost ciśnienia się zatrzyma, a wyświetlana wartość oznacza ciśnienie wewnątrz garnka.
12. Czas przyrządzania można ustawiać podczas przyrządzania przez obrót regulatora TIME. Przyrządzanie można w dowolnym czasie przerwać przez wciśnięcie przycisku STOP/CANCEL. Aby anulować program, wciśnij i przytrzymaj przycisk STOP/CANCEL przez około 2 sekundy. Jeśli wewnątrz garnka już powstało ciśnienie, program automatycznie przełączy się na tryb uwalniania pary.
13. Na końcu programu zabrmi sygnał dźwiękowy i para automatycznie uwolni się przez ciśnieniowy wentyl odpowietrzający. Ikona pary będzie mrugać, włączy się odliczanie czasu, a wartość ciśnienia na wyświetlaczu będzie stopniowo spadać i wyświetlać aktualną wartość ciśnienia. Jeśli wybrano tryb uwalniania pary NATURAL, ciśnienie naturalnie uwolni się bez odprowadzania przez ciśnieniowy wentyl odpowietrzający. Wybór trybu uwalniania pary można zmienić także w trybie uwalniania pary przez wciśnięcie przycisku RELEASE.
14. Na końcu trybu uwalniania pary zabrmi sygnał dźwiękowy, wyświetlacz LCD podświetli się na niebiesko i włączy się odliczanie czasu.
15. Odblokuj pokrywę przez obrót uchwyty w kierunku przeciwnym do ruchu wskazówek zegara i otwórz pokrywę ku górze, aż znajdzie się w otwartej, przewieszanej pozycji.
16. Po 5 minutach bezczynności garnek przejdzie w tryb czuwania. Podświetlenie przycisków zgaśnie podobnie jak wyświetlacz LCD.



OSTRZEŻENIE

Aby zapobiec ewentualnym poparzeniom gorącą parą, nigdy nie zbliżaj twarzy ani rąk nad garnek przy otwartej pokrywie.

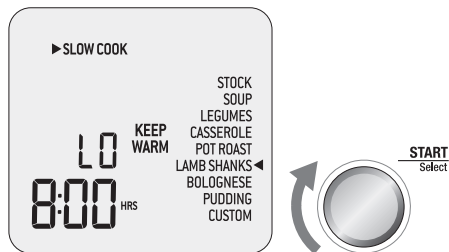


UWAGA

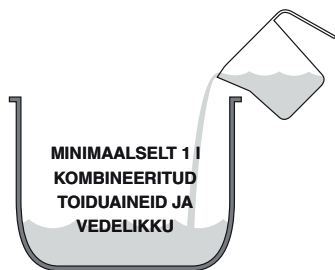
Jeśli pokrywki nie można odblokować, oznacza to, że garnek jest jeszcze pod ciśnieniem. Nie otwieraj pokrywki siłą, ponieważ jakiegokolwiek ciśnienie zbyt wysokie może być niebezpieczne. Wciśnij i przytrzymaj przycisk RELEASE, aż cała para zostanie uwolniona z garnka, a pokrywka da się łatwo odblokować i otworzyć.

PROGRAM SLOW COOK (WOLNE GOTOWANIE)

1. Obróć regulator START/SELECT, aż kursor zatrzyma się przy SLOW COOK. Wciśnij regulator START/SELECT, aby potwierdzić.
2. Obróć regulator START/SELECT, aż kursor zatrzyma się na pożądanej opcji w prawej części wyświetlacza LCD.



3. Górna wartość na wyświetlaczu LCD podaje domyślną temperaturę przyrządzenia dla wybranej opcji. Przez obrót regulatora TEMP/PRESSURE w lewo zmniejszysz temperaturę, przez obrót w prawo zwiększysz temperaturę. Temperaturę można ustawić na LO (niska temperatura) lub na HI (wysoka temperatura).
4. Dolna wartość na wyświetlaczu LCD podaje domyślny czas przyrządzenia dla wybranej opcji. Obróć pokrętkę TIME w lewo, aby skrócić czas przyrządzenia, lub w prawo, aby przedłużyć czas przyrządzenia. Czas przyrządzenia można ustawić od 2 do 12 godzin.
5. „KEEP WARM” na wyświetlaczu oznacza aktywną funkcję KEEP WARM (utrzymanie w ciepłe). Automatycznie pojawi się na wyświetlaczu, jeśli wybierzesz program SLOW COOK. Wciśnij przycisk KEEP WARM na panelu sterowania, aby anulować lub przywrócić funkcję.
6. Włóż produkty do wyjmowanej miski. Upewnij się, że poziom wody z włożonymi produktami, ewentualnie poziom samej wody, osiąga przynajmniej kreskę MIN (pojemność 1 l).



7. Zamknij pokrywę, ale nie blokuj jej.
8. Zdejmij z pokrywy ciśnieniowy wentyl odpowietrzający.
9. Wciśnij regulator START/SELECT, aby uruchomić garnek. Przycisk STOP/CANCEL podświetli się na czerwono a wyświetlacz LCD na pomarańczowo.
10. Czas przyrządzenia pojawi się na wyświetlaczu i włączy się automatyczne odliczanie. Czas przyrządzenia można ustawiać podczas przyrządzenia przez obrót regulatora TIME. Przyrządzenie można w dowolnym czasie przerwać przez wciśnięcie przycisku STOP/CANCEL. Aby anulować program, wciśnij i przytrzymaj przycisk STOP/CANCEL przez około 2 sekundy.
11. Na końcu programu garnek automatycznie przełączy się na tryb KEEP WARM (podtrzymywanie temperatury). Na wyświetlaczu LCD wyświetli się „KEEP WARM” i włączy się odliczanie, maksymalnie 2 godzin. Funkcję KEEP WARM można w dowolnym czasie przerwać przez wciśnięcie przycisku STOP/CANCEL.
12. Jeśli anulujesz funkcję KEEP WARM, zabrzmi sygnał dźwiękowy, podświetlenie przycisku STOP/CANCEL zgaśnie, a wyświetlacz LCD podświetli się na niebiesko.
13. Po 5 minutach bezczynności garnek przejdzie w tryb czuwania. Podświetlenie przycisków zgaśnie podobnie jak wyświetlacz LCD.

REDUCE (ZAGĘSZCZANIE)

Program REDUCE (Zagęszczanie) jest doskonały do zagęszczania i intensyfikowania smaku sosów, syropów i wywarów.

1. Obróć regulator START/SELECT, aż kursor zatrzyma się na programie REDUCE. Wciśnij regulator START/SELECT, aby potwierdzić.
2. Górna wartość na wyświetlaczu LCD podaje domyślną temperaturę przyrządzenia dla wybranej opcji. Przez obrót regulatora TEMP/PRESSURE w lewo zmniejszysz temperaturę, przez obrót w prawo zwiększysz temperaturę. Temperaturę można ustawić w zakresie: LO (niska temperatura), MED (umiarkowana temperatura) lub HI (wysoka temperatura).
3. Dolna wartość na wyświetlaczu LCD podaje domyślny czas przyrządzenia. Obróć pokrętkę TIME w lewo, aby skrócić czas przyrządzenia, lub w prawo, aby przedłużyć czas przyrządzenia. Czas przyrządzenia można ustawić maksymalnie na 2 godziny.
4. Płyn, który chcesz zredukować, wlej do wyjmowanej miski.



UWAGA

Jeśli chcesz zredukować sok/sos z programu PRESSURE COOK lub SLOW COOK, zawsze wyjmij mięso lub warzywa.

Gdy sos osiągnął pożądaną konsystencję i smak, włóż mięso z powrotem do miski, podgrzej przez kilka minut przed serwowaniem.

5. Wciśnij regulator START/SELECT, aby uruchomić garnek. Przycisk STOP/CANCEL podświetli się na czerwono, wyświetlacz LCD na pomarańczowo, a na wyświetlaczu pojawi się PREHEATING.
6. Podczas przyrządzania pozostaw otwartą pokrywę. W przypadku zamknięcia pokrywy, na wyświetlaczu LCD pojawiłoby się ostrzeżenie OPEN LID (otwarta pokrywa).
7. Po osiągnięciu pożądanego temperatury, PREHEATING zniknie z wyświetlacza. Wlej płyn do wyjmowanej miski.
8. Czas przyrządzania pojawi się na wyświetlaczu i włączy się automatyczne odliczanie. Czas przyrządzania można ustawić także podczas przyrządzania przez obrót regulatora TIME. Przyrządzanie można w dowolnym czasie przerwać przez wciśnięcie przycisku STOP/CANCEL. Aby anulować program, wciśnij i przytrzymaj przycisk STOP/CANCEL przez około 2 sekundy.
9. Na końcu programu zabrmi sygnał dźwiękowy, podświetlenie przycisku STOP/CANCEL zgaśnie, a wyświetlacz LCD podświetli się na niebiesko.
10. Po 5 minutach beczynności garnek przejdzie w tryb czuwania. Podświetlenie przycisków zgaśnie podobnie jak wyświetlacz LCD.

SEAR (OPIEC)

Program SEAR (Opiec) jest zaprojektowany tak, aby podkreślić i pogłębić smak przyrządzanej potrawy. Najpierw zapiecz i skarmelizuj w misce produkty według przepisu, a następnie przelącz garnek na program PRESSURE COOK lub SLOW COOK.

1. Obróć regulator START/SELECT, aż kursor zatrzyma się na programie SEAR. Wciśnij regulator START/SELECT, aby potwierdzić.
2. Przycisk STOP/CANCEL podświetli się na czerwono, wyświetlacz LCD na pomarańczowo, a na wyświetlaczu pojawi się PREHEATING.
3. Podczas przyrządzania pozostaw otwartą pokrywę. W przypadku zamknięcia pokrywy, na wyświetlaczu LCD pojawiłoby się ostrzeżenie OPEN LID (otwarta pokrywa).
4. Po osiągnięciu pożądanego temperatury, PREHEATING zniknie z wyświetlacza. Włóż produkty do wyjmowanej miski.

5. Czas przyrządzania w tym wypadku będzie odliczany do maksymalnie 45 minut. Przyrządzanie można w dowolnym czasie przerwać przez wciśnięcie przycisku STOP/CANCEL. Aby anulować program, wciśnij i przytrzymaj przycisk STOP/CANCEL przez około 2 sekundy.
6. Na końcu programu zabrmi sygnał dźwiękowy, podświetlenie przycisku STOP/CANCEL zgaśnie, a wyświetlacz LCD podświetli się na niebiesko.
7. Po 5 minutach beczynności garnek przejdzie w tryb czuwania. Podświetlenie przycisków zgaśnie podobnie jak wyświetlacz LCD.

SAUTÉ

Program SAUTÉ jest doskonały do zapiekania i karmelizowania czosnku, cebuli i produktów w małych kawałeczkach, przed ich przyrządzaniem w programie PRESSURE COOK lub SLOW COOK.

1. Obróć regulator START/SELECT, aż kursor zatrzyma się na programie SAUTÉ. Wciśnij regulator START/SELECT, aby potwierdzić.
2. Górna wartość na wyświetlaczu LCD podaje domyślną temperaturę przyrządzania. Przez obrót regulatora TEMP/PRESSURE w lewo zmniejszysz temperaturę, przez obrót w prawo zwiększysz temperaturę. Temperaturę można ustawić w zakresie: LO (niska temperatura), MED (umiarkowana temperatura) lub HI (wysoka temperatura).
3. Wciśnij regulator START/SELECT, aby uruchomić garnek. Przycisk STOP/CANCEL podświetli się na czerwono, wyświetlacz LCD na pomarańczowo, a na wyświetlaczu pojawi się PREHEATING.
4. Podczas przyrządzania pozostaw otwartą pokrywę. W przypadku zamknięcia pokrywy, na wyświetlaczu LCD pojawiłoby się ostrzeżenie OPEN LID (otwarta pokrywa).
5. Po osiągnięciu pożądanego temperatury, PREHEATING zniknie z wyświetlacza. Włóż produkty do wyjmowanej miski.
6. Czas przyrządzania pojawi się na wyświetlaczu i włączy się automatyczne odliczanie. Przyrządzanie można w dowolnym czasie przerwać przez wciśnięcie przycisku STOP/CANCEL. Aby anulować program, wciśnij i przytrzymaj przycisk STOP/CANCEL przez około 2 sekundy.
7. Na końcu programu zabrmi sygnał dźwiękowy, podświetlenie przycisku STOP/CANCEL zgaśnie, a wyświetlacz LCD podświetli się na niebiesko.
8. Po 5 minutach beczynności garnek przejdzie w tryb czuwania. Podświetlenie przycisków zgaśnie podobnie jak wyświetlacz LCD.

STEAM (PRYZRĄDZANIE NA PARZE)

Program STEAM (Przyrządzanie na parze) jest doskonały do przyrządzania warzyw, filetów rybnych, klusek i podgrzewania ugotowanych potraw na parze.

1. Obróć regulator START/SELECT, aż kursor zatrzyma się na programie STEAM. Wciśnij regulator START/SELECT, aby potwierdzić.
2. Dolna wartość na wyświetlaczu LCD podaje domyślny czas przyrządzania. Obróć pokrętkę TIME w lewo, aby skrócić czas przyrządzania, lub w prawo, aby przedłużyć czas przyrządzania. Maksymalny czas przyrządzania to 1 godzina.
3. Napełnij wyjmowaną miskę czystą wodą do kreski MIN. Podczas przyrządzania regularnie kontroluj poziom wody i w razie potrzeby ją uzupełnij.
4. Do miski włóż kratkę, a na nią nasadkę parową. Jeśli podgrzewasz potrawę, połóż na niej talerz.
5. Do nasadki parowej włóż produkty, pozostaw około 1 cm wolnego miejsca wokół produktów, aby para mogła je swobodnie obiegać.
6. Zamknij pokrywę, ale nie blokuj jej.
7. Zdejmij z pokrywki ciśnieniowy wentyl odpowietrzający.
8. Wciśnij regulator START/SELECT, aby uruchomić garnek. Przycisk STOP/CANCEL podświetli się na czerwono, wyświetlacz LCD na pomarańczowo, a na wyświetlaczu pojawi się PREHEATING.
9. Po osiągnięciu pożądanej temperatury, PREHEATING zniknie z wyświetlacza.
10. Czas przyrządzania w tym wypadku będzie odliczany do maksymalnie 45 minut. Czas przyrządzania można ustawiać także podczas przyrządzania przez obrót regulatora TIME. Przyrządzanie można w dowolnym czasie przerwać przez wciśnięcie przycisku STOP/CANCEL. Aby anulować program, wciśnij i przytrzymaj przycisk STOP/CANCEL przez około 2 sekundy.
11. Na końcu programu zabrmi sygnał dźwiękowy, podświetlenie przycisku STOP/CANCEL zgaśnie, a wyświetlacz LCD podświetli się na niebiesko.
12. Jeśli chcesz przyrządzać dalsze potrawy na parze, sprawdź poziom wody w wyjmowanej misce.
13. Po 5 minutach bezczynności garnek przejdzie w tryb czuwania. Podświetlenie przycisków zgaśnie podobnie jak wyświetlacz LCD.



Konserwacja i czyszczenie

Wymywaną miskę, powierzchnię zewnętrzną, pokrywkę i akcesoria należy starannie wyczyścić po każdym użyciu.

Przed czyszczeniem upewnij się, że garnek jest wyłączony przez wciśnięcie i przytrzymanie przycisku STOP/CANCEL na panelu sterowania. Garnek jest wyłączony, jeśli podświetlenie wszystkich przycisków i elementów sterowania zgaśło.

Wymij wtyczkę kabla zasilającego z gniazdka sieciowego, a końcówkę kabla z korpusu garnka. Przed demontażem i czyszczeniem odstaw garnek i wszystkie akcesoria do ostudzenia.

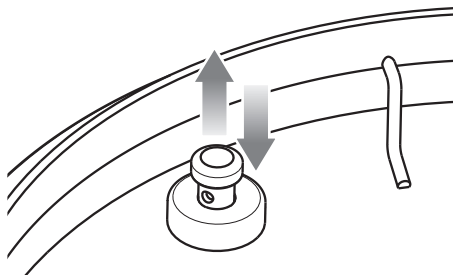
CZYSZCZENIE MISKI I OBUDOWY

1. Wymywaną miskę można myć w zmywarce do naczyń. W celu zachowania właściwości powierzchni ceramicznej zaleca się jednak mycie jej w ciepłej wodzie z odrobiną płynu do mycia naczyń. Optucz w czystej wodzie i wytrzyj do sucha.
2. Wytrzyj powierzchnię wewnętrzną i zewnętrzną garnka przy pomocy miękkiej gąbki lekko nawilżonej w ciepłej wodzie. Można użyć delikatnego środka czyszczącego bez właściwości szorujących, aby zapobiec gromadzeniu się plam. Środek czyszczący nakładaj na gąbkę, nigdy na powierzchnię garnka.
3. Ostrożnie wyjmij naczynie na skondensowaną wodę. Umyj w ciepłej wodzie z odrobiną płynu do mycia naczyń. Optucz w czystej wodzie, wytrzyj do sucha i załóż z powrotem na swoje miejsce.
4. Przetrzyj wyświetlacz LCD miękką gąbką. Sucha ścierka lub niektóre środki czyszczące mogą porysować powierzchnię.
5. Przed podłączeniem kabla zasilającego do gniazdka sieciowego i ponownym włączeniem, dokładnie osusz wszystkie powierzchnie.

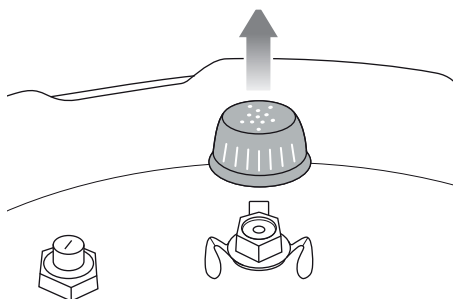
CZYSZCZENIE POKRYWKI

1. Zdejmij z pokrywki ciśnieniowy wentyl odpowietrzający.
2. Odblokuj pokrywkę przez obrót uchwyty w kierunku przeciwnym do ruchu wskazówek zegara i otwórz pokrywkę ku górze, aż znajdzie się w otwartej, przewieszanej pozycji. Odkręć i wyjmij nakrętkę uszczelniającą ze środka pokrywki i zdejmij pokrywkę z ramienia.

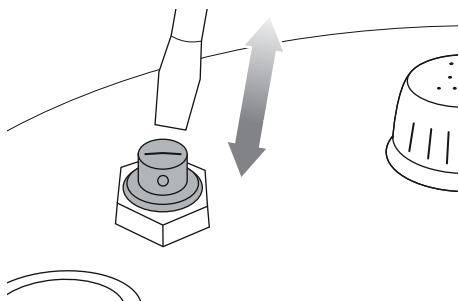
3. Ostrożnie zdejmij silikonową uszczelkę pokrywki z drucianego kółka.
4. Umyj nakrętkę uszczelki i ciśnieniowy wentyl odpowietrzający w ciepłej wodzie z odrobiną płynu do mycia naczyń. Optucz w czystej wodzie i wytrzyj do sucha.
5. Silikonową uszczelkę i pokrywkę można umieścić w górnym koszu zmywarki do naczyń. Ewentualnie umyj w ciepłej wodzie z odrobiną płynu do mycia naczyń. Optucz w czystej wodzie i wytrzyj do sucha.
6. Po wyczyszczeniu pokrywki regularnie kontroluj i upewnij się, że:
 - a) Bezpiecznik porusza się swobodnie w górę i w dół. Zawsze usuwaj resztki oleju lub produktów spożywczych z tego miejsca.



- b) Ciśnieniowy wentyl odpowietrzający i osłona są czyste i bez resztek produktów spożywczych i płynów. Odkręć i wyciągnij osłonę ciśnieniowego wentyla odpowietrzającego z pokrywki do czyszczenia. Wytrzyj miękką gąbką lekko zwilżoną w ciepłej wodzie. Optucz i wytrzyj do sucha. Osłonę pojemnika załóż z powrotem na swoje miejsce.



- c) Ciśnieniowy wentyl bezpieczeństwa jest czysty i bez resztek produktów spożywczych i płynów. Aby go wyczyścić, przyciśnij wentyl od spodu pokrywki, aby go wysunąć, i usuń resztki oleju lub produktów spożywczych. Upewnij się, że swobodnie porusza się w górę i w dół po wyczyszczeniu.



7. Załóż silikonową uszczelkę w powrotem druciane kółko w spodniej części pokrywki. W razie potrzeby popraw jej pozycję, aby była bezpiecznie umieszczona na kółku i nie była wykręcona.
8. Umieść pokrywkę tak, aby osłona ciśnieniowego wentyla odpowietrzającego znalazła się w tylnej części garnka. Wyrównaj środek pokrywki ze śrubą w spodniej części ramienia i załóż pokrywkę tak, aby gwint śruby przeszedł przez otwór w pokrywie. Przykręć nakrętkę uszczelniającą na gwint śruby tak, aby czerwone kółko dotykało pokrywki.

CZYSZCZENIE NASADKI I KRATKI PAROWEJ

1. Umyj wszystkie akcesoria miękką gąbką w ciepłej wodzie z odrobiną płynu do mycia naczyń. Oplucz i wytrzyj do sucha. Do usuwania zabrudzeń nie używaj rysujących środków czyszczących, myjek drucianych lub innych metalowych przyborów, które mogłyby porysować powierzchnię.
2. Ze względu na przedłużenie żywotności akcesoriów nie zaleca się mycia w zmywarce do naczyń.



WSKAZÓWKA

Aby wyeliminować zapach produktów spożywczych, wlej do wyjmowanej miski 500 ml gorącej wody, 125 ml soku z cytryny, 1 łyżkę skórki z cytryny i 1 łyżkę ekstraktu waniliowego. Uruchom program PRESSURE COOK na 80 kPa na 5 minut z trybem podawania pary NATURAL.

PRZECHOWYWANIE

1. Upewnij się, że urządzenie jest wyłączone przez wciśnięcie i przytrzymanie przycisku STOP/CANCEL. Garnek jest wyłączony, jeśli podświetlenie wszystkich przycisków i elementów sterowania zgasło.
2. Odłącz wtyczkę przewodu zasilającego z gniazda sieciowego. Przed demontażem i czyszczeniem odstaw garnek i wszystkie akcesoria do ostudzenia.
3. Upewnij się, że garnek i akcesoria są czyste i suche.
4. Upewnij się, że wyjmowana miska jest włożona do garnka, kratka i nasadka parowa są włożone do wyjmowanej miski.
5. Upewnij się, że pokrywa jest prawidłowo zamknięta i zablokowana.
6. Postaw garnek w pozycji poziomej, powinien stać równo. Nie kładź nic na pokrywkę. Na pokrywie czajnika nie należy kłaść żadnych przedmiotów.



Rozwiązywanie problemów

PROBLEM	ROZWIĄZANIE
Po zakończeniu programu nie można otworzyć pokrywki.	<ul style="list-style-type: none"> • Wciśnij i przytrzymaj przycisk RELEASE, aby zwolnić ciśnienie wewnątrz garnka. Następnie będzie można normalnie otworzyć pokrywkę. • Gdy całe ciśnienie wewnątrz zostało usunięte przyciskiem RELEASE, obróć ciśnieniowy wentyl odpowietrzający na pozycję otwartą, tj. będzie skierowany przeciwnie do uchwytu pokrywki. • Jeśli problem powtarza się częściej, będzie trzeba ustawić właściwą wysokość nad poziomem morza. Przestrzegaj wskazówek w części instrukcji „Ustawienia wysokości nad poziomem morza” na stronie 12.
Na wyświetlaczu LCD wyświetla się „OPEN LID”.	<ul style="list-style-type: none"> • Obróć uchwyt pokrywki w kierunku ruchu wskazówek zegara i w kierunku przeciwnym do ruchu wskazówek zegara.
Para uchodzi spod pokrywki LUB Bezpiecznik wyłącznika nie wysunął się LUB W garnku nie powstaje ciśnienie LUB Nie włączyło się odliczanie.	<ul style="list-style-type: none"> • Załóż pokrywkę prawidłowo. Upewnij się, że między ramieniem a pokrywką nie ma żadnej luki. Nakrętka uszczelki musi być mocno przykręcona. Postępuj według kroku 5 na stronie 10. • Upewnij się, że silikonowa uszczelka jest czysta, prawidłowo założona, i że nie jest uszkodzona lub pęknięta. Postępuj według kroku 4 na stronie 10. • Upewnij się, że bezpiecznik porusza się luźno w górę i w dół. Postępuj według kroku 6a na stronie 19. • Gdy pokrywka jest zamknięta, upewnij się, że bezpiecznik jest prawidłowo założony w otworze pokrywki. Postępuj według kroku 7 na stronie 15. • Upewnij się, że ciśnieniowy wentyl odpowietrzający jest prawidłowo założony i skierowany w stronę uchwytu pokrywki. Postępuj według kroku 8 na stronie 15. • Dodaj więcej płynu/produktów do miski. W misce powinien być minimalnie 1 l płynów i produktów. • Jeśli problem się powtarza, skontaktuj się z autoryzowanym serwisem Sage.
Garnek automatycznie przełącza się na tryb KEEP WARM, nie kończąc cyklu.	<ul style="list-style-type: none"> • Dodaj więcej wody do miski i zrestartuj program.
Na blacie zbiera się woda.	<ul style="list-style-type: none"> • Upewnij się, że garnek jest umieszczony na równej powierzchni, i że naczynie na skondensowaną wodę jest prawidłowo założone. Przestrzegaj instrukcji zawartych w części „Przygotowanie garnka do gotowania na parze the Fast Slow Pro™” na stronie 10. • Opróżnij naczynie na skondensowaną wodę.



Gwarancja

OGRANICZONA GWARANCJA NA 2 LATA

Firma Sage Appliances obejmuje niniejszy produkt gwarancją na wady produkcyjne i materiałowe pod warunkiem korzystania z niego w warunkach domowych. Gwarancja obowiązuje w ciągu dwóch lat od zakupu i w określonych regionach. W czasie okresu gwarancji firma Sage Appliances naprawi lub wymieni wadliwe produkty lub zwróci ich koszt (decyzja należy wyłącznie do firmy Sage Appliances).

Będą przestrzegane wszelkie prawa dotyczące gwarancji zawarte w prawodawstwie danego kraju, a niniejsza gwarancja nie ma na nie wpływu. Pełne warunki gwarancji oraz instrukcje dotyczące składania reklamacji można znaleźć w witrynie www.sageappliances.com.



Notes / Uwaga



Notes / Uwaga



Notes / Uwaga

GBR

BRG Appliances Limited
Unit 3.2, Power Road Studios,
114 Power Road, London, W4 5PY
Freephone (UK Landline): 0808 178 1650
Mobile Calls (National Rate): 0333 0142 970

DEU

AUT

Sage Appliances GmbH
Campus Fichtenhain 48, 47807 Krefeld,
Deutschland
Deutschland: 0800 505 3104
Österreich: 0800 80 2551

FRA

Sage Appliances France SAS
Siège social: 66 avenue des Champs
Elysées – 75008 Paris
879 449 866 RCS Paris
France: 0800 903 235

IRE

Ireland
1800 932 369

NLD

Netherlands
0800 020 1741

ITA

Italy
800 909 773

ESP

Spain
900 838 534

PTR

Portugal
0800 180 243

POL

Poland
00800 121 8713

BEL

Belgium
0800 54 155

CHE

Switzerland
0800 009 933

LUX

Luxembourg
800 880 72

DNK

Denmark
80 820 827

SWE

Sweden
0200 123 797

FIN

Finland
0800 412 143

NOR

Norway
80 024 976

Sage®

www.sageappliances.com

Registered in England & Wales No. 8223512
Registered in Germany No. HRB 81309 (AG Düsseldorf)
Registered in France No. 879 449 866 RCS

EN Due to continued product improvement, the products illustrated or photographed in this document may vary slightly from the actual product.

DE Aufgrund unserer kontinuierlichen Produktverbesserungen kann die hier gezeigte Abbildung geringfügig vom tatsächlichen Produkt abweichen.

FR En raison de leur amélioration continue, les produits représentés ou photographiés dans le présent document peuvent différer légèrement du produit réel.

NL Vanwege voortdurende productverbeteringen, kunnen de afgebeelde producten in dit document licht afwijken van het eigenlijke product.

IT A causa del continuo miglioramento dei prodotti, il prodotto descritto o illustrato in questo documento può variare leggermente rispetto al prodotto reale.

ES Perfeccionamos nuestros productos continuamente, por lo que el artículo podría diferir ligeramente de la ilustración o la fotografía en este documento.

PT Devido à melhoria continua dos produtos, os produtos ilustrados ou fotografados neste documento podem variar ligeiramente do produto real.

PL Ze względu na stale przeprowadzane ulepszenia, produkty przedstawione na ilustracjach lub zdjęciach w tym dokumencie mogą różnić się od używanego produktu.

DA På grund af løbende produktudvikling kan de illustrerede eller fotograferede produkter i dette dokument variere en smule fra det faktiske produkt.

SV På grund av kontinuerlig produktförbättring kan produkterna som visas i illustrationerna och fotografierna i detta dokument skilja sig något från den faktiska produkten.

FI Jatkuvan tuotekehittelyn seurauksena kuvituksen tuotteet eivät välttämättä ole täysin samanlaisia kuin varsinaisen tuote.

NO På grunn av kontinuerlig produktutvikling kan produktene som er vist eller avfotografert i dette dokumentet, variere noe fra det faktiske produktet.

Copyright BRG Appliances 2023

BPR700/SPR700 EU UG8 – G23