

# *the Fast Slow GO™*

BPR680/SPR680



**EN** USER GUIDE

**DE** HANDBUCH

**FR** GUIDE UTILISATEUR

**NL** HANDLEIDING

**IT** MANUALE UTENTE

**ES** GUÍA DEL USUARIO

**PT** MANUAL DO UTILIZADOR

**PL** INSTRUKCJA OBSŁUGI

# **Sage®**



## Contents

- 2 Sage Recommends Safety First
- 9 Components
- 10 Control Panel
- 11 Food Presets
- 12 Cooking Presets
- 13 Functions
- 23 Care & Cleaning
- 25 Troubleshooting
- 26 Guarantee

## SAGE RECOMMENDS SAFETY FIRST

At Sage® we are very safety conscious. We design and manufacture consumer products with the safety of you, our valued customer, foremost in mind. In addition, we ask that you exercise a degree of care when using any electrical appliance and adhere to the following precautions.

## IMPORTANT SAFEGUARDS

**READ ALL INSTRUCTIONS BEFORE USE AND SAVE FOR FUTURE REFERENCE**

- A downloadable version of this document is also available at [sageappliances.com](http://sageappliances.com)
- Do not let children near the pressure cooker when in use.
- Do not put the pressure cooker into a heated oven.
- Move the pressure cooker with the greatest care. Do not touch hot surfaces. Use the handles and knobs. If necessary, use protection.

### **WARNING**

Do not use the pressure cooker for a purpose other than the one for which it is intended. This appliance cooks under pressure. Scalds may

result from inappropriate use of the pressure cooker. Make sure that the cooker is properly closed before applying heat. See “Pressure Cook” instructions in this book.

- Never force open the pressure cooker. Do not open before making sure that its internal pressure has completely dropped. See the “Steam Release” instructions in this book.
- The container must not be opened until the pressure has decreased sufficiently.
- Never use your pressure cooker without adding water, this would seriously damage the appliance.
- Do not fill the cooker beyond  $2/3$  of its capacity. When cooking foodstuffs which expand during cooking, such as rice or dehydrated vegetables, do not fill the cooker to more than half of its capacity.
- The heating source necessary for cooking is included in the appliance.
- After cooking meat with a skin (e.g. ox tongue) which may swell under the effect of pressure, do not prick the meat while the skin is swollen; you might be scalded.
- The surface heating element is subject to residual heat after use.
- When cooking food with thick or doughy texture, after steam release, gently shake the cooker. Then steam release again if necessary, before opening the lid to avoid food ejection.
- Before each use, check that the valves are not obstructed. See the Instructions for use.
- Never use the pressure cooker in its pressurised mode for deep or shallow frying of food.

- Do not tamper with any of the safety systems beyond the maintenance instructions specified in the instructions for use.
- Only use Sage® spare parts in accordance with the relevant model. In particular, use a body and a lid from Sage® indicated as being compatible.
- Before using for the first time please ensure that your electricity supply is the same as shown on the rating label on the underside of the appliance. If you have any concerns, please contact your local electricity company.
- Remove and safely discard any packaging material and promotional labels before use.
- To eliminate a choking hazard for young children, remove and safely discard the protective cover fitted to the power plug of this appliance.
- Always ensure the appliance is properly assembled before use. Follow the instructions provided in this book.
- Always insert the connector end of the power cord into the appliance inlet before inserting power plug into the power outlet and switching on appliance. Ensure the appliance inlet is completely dry before inserting the connector end of the power cord.
- Take care to avoid spillage on the connector.
- Do not touch hot surfaces. Appliance surfaces are hot during and after operation. To prevent burns or personal injury, always use protective hot pads or insulated oven mitts, or use handles or knobs where available.

- Do not place the appliance near the edge of a bench or table during operation. Ensure that the surface is dry, level, clean and free of any liquid and other substances.
- Cooking appliances should be positioned in a stable situation with the handles (if any) properly secured to avoid spillage of the hot liquids.
- Always operate the appliance on a stable and heat resistant surface. Do not use on a cloth- covered surface and position the appliance at a minimum distance of 20cm away from walls, curtains, cloths and other heat sensitive materials.
- Do not place this appliance on or near a hot gas or electric burner, or where it could touch a heated oven.
- Do not operate the appliance on a sink drain board.
- Do not place the cooker on a stone bench top when it's cooking. This is due to bench tops being sensitive to uneven heat and may crack if heated locally. If you would like to cook with the slow cooker on the bench top, place a chopping board or heat proof mat underneath the cooker.
- Do not place anything, other than lid, on top of the cooker when assembled, when in use and when stored.
- Do not use the lid handle to carry the appliance.
- Before placing removable cooking bowl into stainless steel base ensure the base of bowl and the base of the appliance is dry by wiping with a dry soft cloth.

- Do not use a damaged removable cooking bowl. Replace before using.
- Do not place food or liquid directly into the stainless-steel base. Only the removable cooking bowl is designed to contain food or liquid.
- Before use, always check pressure release valve and safety locking pin for clogging and clean if necessary. Check to make sure the safety locking pin moves freely from under the lid.
- Do not touch the pressure release valve whilst in use.
- Use only recommended **STEAM RELEASE** button to depressurise cooker after use.
- Do not leave the appliance unattended when in use.


## **IMPORTANT SAFEGUARDS FOR ALL ELECTRICAL APPLIANCES**


- Do not use this appliance if it is worn, has been dropped or is damaged in any way.
- Unwind the power cord fully before use.
- Do not let the power cord hang over the edge of a bench or table, touch hot surfaces or become knotted.
- Connect only to a 220–240V power outlet.
- Always turn the appliance to the OFF position, switch off at the power outlet, remove the plug and allow all parts to cool before attempting to move the appliance, when the appliance is not in use, before cleaning and when storing.
- The appliance can be used by children aged from 8 years and above and persons with reduced physical,

sensory or mental capabilities, or lack of experience and knowledge, if they have been given supervision or instruction concerning use of the appliance in a safe way and understand the hazards involved.

- Children shall not play with the appliance.
- Cleaning and user maintenance shall not be made by children unless they are older than 8 and supervised.
- Keep the appliance and its cord out of reach of children less than 8 years.
- It is recommended to regularly inspect the appliance. Do not use the appliance if power cord, power plug or appliance becomes damaged in any way. If damaged or maintenance other than cleaning is required, please contact Sage Customer Service or go to [sageappliances.com](http://sageappliances.com)
- The use of attachments not sold or recommended by Sage® may cause fire, electric shock or injury.
- This appliance is for household use only. Do not use this appliance for other than its intended use. Do not use in moving vehicles or boats. Do not use outdoors. Misuse may cause injury.
- The appliance is not intended to be operated by means of an external timer or separate remote-control system.
- The installation of a residual current device (safety switch) is recommended to provide additional safety protection when using electrical appliances. It is advisable that a safety switch with a rated residual operating

current not exceeding 30mA be installed in the electrical circuit supplying the appliance. See your electrician for professional advice.

 To protect against electric shock, do not immerse the power cord, power plug or appliance in water or any other liquid.

 The symbol shown indicates that this appliance should not be disposed of in normal household waste. It should be taken to a local authority waste collection centre designated for this purpose or to a dealer providing this service. For more information, please contact your local council office.

## SPECIFICATION

Model	SPR680
Rated Volume	6 Litres
Usable Volume	4 Litres
Working Pressure	80kPa
Heating Source	Electric Heating Element

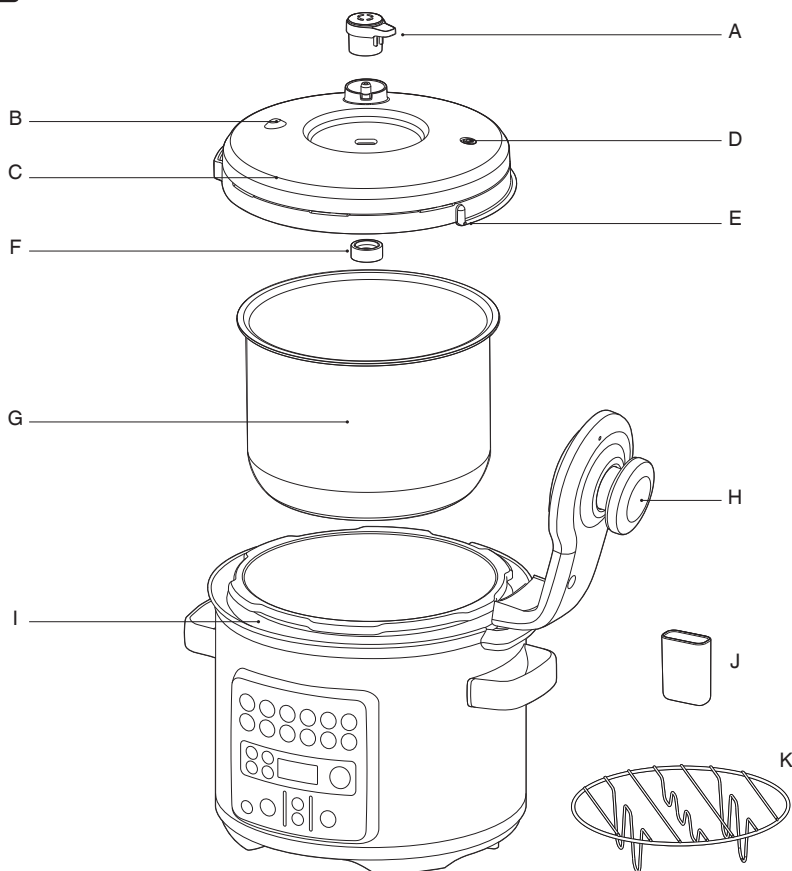
These specifications may change without prior notice.

**FOR HOUSEHOLD USE ONLY  
SAVE THESE INSTRUCTIONS**





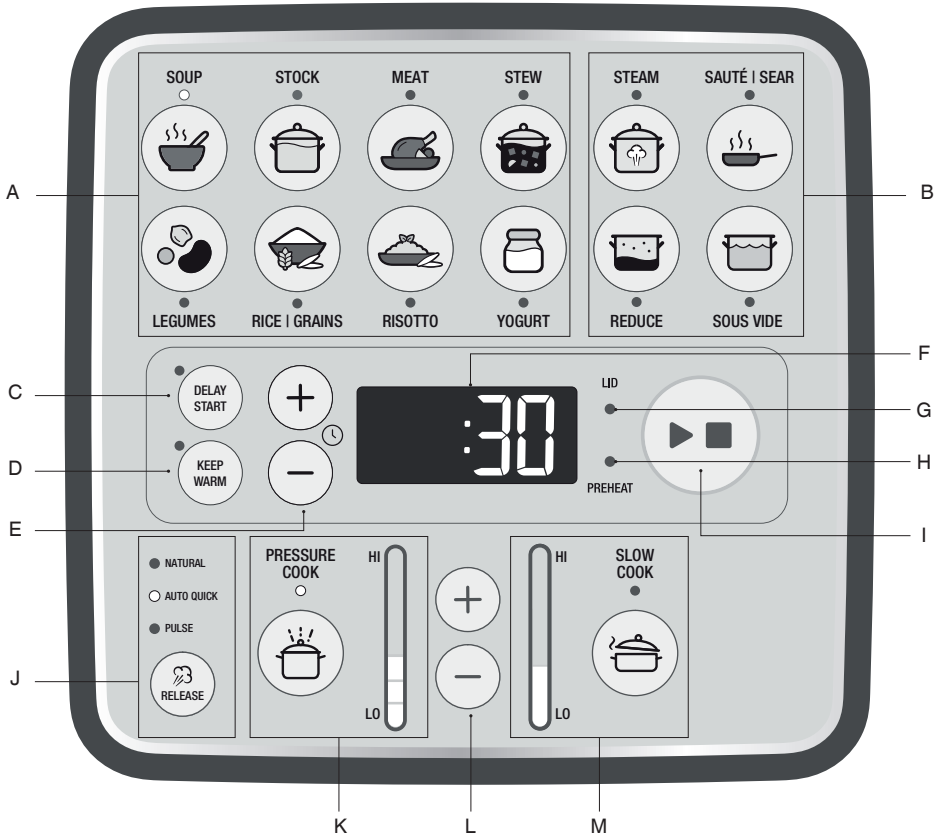
## Components



- A. Pressure Release Valve  
Automatically controls the rate at which steam is released from the cooker
- B. Pressure Safety Valve
- C. Dishwasher Safe Removable Lid
- D. Safety Locking Pin  
Pin pops up once pressure is reached acting as a safety locking device
- E. Silicone Lid Seal  
Easy fitting for hassle free assembly and cleaning

- F. Sealing Nut
- G. 6L Removable Cooking Bowl
- H. Lid Arm
- I. Easy Clean Moat  
Catches condensation drips for a mess-free clean up.
- J. Condensation drip Cup
- K. Stainless Trivet  
Raises food out of liquid for roasting and steaming.

# CONTROL PANEL



- A. Food Presets with light indicators
- B. Cooking Presets with light indicators
- C. DELAY START
- D. KEEP WARM
- E. TIME (+/-) adjustment buttons
- F. LED display
- G. Lid Lock/Unlock Warning Light Indicator
- H. Preheat Light Indicator
- I. START/CANCEL Button
- J. Pressure release button with modes selection indicator
- K. PRESSURE COOK with light indicator  
Pressure Level Indicator for Pressure Cooking Mode
- L. PRESSURE/TEMPERATURE (+/-) adjustment buttons
- M. SLOW COOK with light indicator  
Temperature Indicator for Slow Cooking Mode

**CE UK CA** Rating Information:  
220-240 V ~ 50-60 Hz 900-1100 W

## FOOD PRESETS

### SETTING: PRESSURE COOK

FOOD MENU	DEFAULT PRESET	RANGE
<b>Soup</b>	50 kPa - approx. 110°C 30 MINS AUTO QUICK	10 kPa – 80 kPa Up to 2:00 HRS
<b>Stock</b>	80 kPa - approx. 116°C 1 HOUR AUTO QUICK	10 kPa – 80 kPa Up to 2:00 HRS
<b>Meat</b>	80 kPa - approx. 116°C 1 HOUR AUTO QUICK	10 kPa – 80 kPa Up to 2:00 HRS
<b>Stew</b>	60 kPa - approx. 112°C 1 HOUR AUTO QUICK	10 kPa – 80 kPa Up to 2:00 HRS
<b>Legumes</b>	80 kPa - approx. 116°C 30 MINS NATURAL	10 kPa – 80 kPa Up to 2:00 HRS
<b>Rice   Grains</b>	50 kPa - approx. 110°C 10 MINS AUTO PULSE	10 kPa – 80 kPa Up to 2:00 HRS
<b>Risotto</b>	40 kPa - approx 108°C 7 MINS AUTO QUICK	10 kPa – 80 kPa Up to 2:00 HRS

### SETTING: SLOW COOK

FOOD MENU	DEFAULT PRESET	RANGE
<b>Soup</b>	HIGH - 95°C 4:00 HRS KEEP WARM	Time: 2 – 12 HRS Temp: High - Low Keep warm: on/off
<b>Stock</b>	HIGH - 95°C 4:00 HRS KEEP WARM	Time: 2 – 12 HRS Temp: High - Low Keep warm: on/off
<b>Meat</b>	LOW - 90°C 8:00 HRS	Time: 2 – 12 HRS Temp: High - Low Keep warm: on/off
<b>Stew</b>	LOW - 90°C 8:00 HRS	Time: 2 – 12 HRS Temp: High - Low Keep warm: on/off
<b>Legumes</b>	HIGH - 95°C 6:00 HRS	Time: 2 – 12 HRS Temp: High - Low Keep warm: on/off

<b>YOGHURT</b>	Stage 1	Stage 2	Stage 3	Time: 8 – 16 HRS
	Scalding	Cooling*	Incubating	Temp: n/a
	10 MIN	Up to 3 hours	8 hours	Keep warm: n/a
	Temp: 83°C	Temp: from 83°C to 43°C	Temp: 43°C	
	KEEP WARM OFF	KEEP WARM OFF	KEEP WARM OFF	

**\*Cool down time if the lid is open (for 2 litres of milk):**

It can take up to 1hr 20mins to lower the temperature from 83°C to 43°C

Cool down time if the lid is closed (for 2 litres of milk):

It can take up to 3 hours to lower the temperature from 83°C to 43°C

## COOKING PRESETS

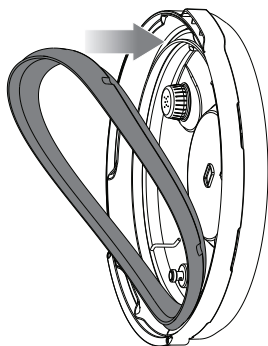
SETTING	TIME/TEMP PRESET		RANGE
<b>SAUTÉ / SEAR</b>	COUNT UP TIME	Temp:	Time: n/a
		High - (Sear) 168°C	Keep warm: off only
		Med - (Sauté) 150°C	
		Low - (Sauté) 130°C	
<b>REDUCE</b>	HIGH 10 MINS	Temp:	Time: 1 MIN – 2 HRS
		Low - 105°C	Keep warm: on/off
		Med - 115°C	
		High - 130°C	
<b>STEAM</b>	15 MINS	Temp: 100°C	Time: 1 MIN – 1 HR
			Temp: n/a
			Keep warm: off only
<b>SOUS VIDE</b>	1 HOUR	Temp: 57°C	Time: 1 MIN – 24 HRS
			Temp: 30°C - 90°C
			Keep warm: n/a
<b>KEEP WARM</b>	2 HOURS COUNT UP TIME	Temp: 70°C	



## Functions

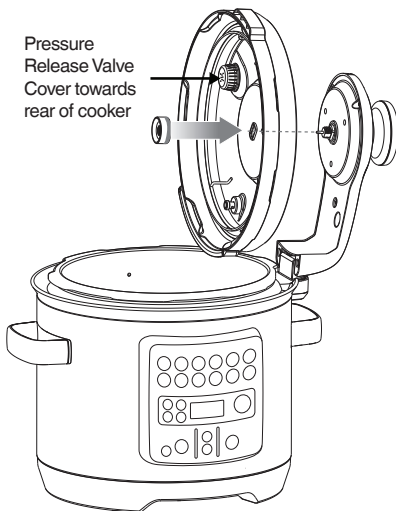
### BEFORE FIRST USE

1. Remove and safely discard any packaging material, promotional labels and tape from the cooker.
2. Open the lid by turning the lid knob counter clockwise and lifting lid up and off the appliance until it is in the hinged open position. Unscrew and remove the sealing nut from the centre of the lid and pull the lid away to remove from the lid arm.
3. Wash the lid, removable cooking bowl and silicone lid seal in hot, soapy water, rinse and dry thoroughly. Wipe the inside and outside of the base with a soft, damp cloth and dry thoroughly.
4. Attach the clean silicone lid seal securely around the wire ring on the underside of the lid. Adjust position if necessary, so that it sits comfortably and is free from any distortions.



5. To reattach the lid, orient the lid so that the steam release valve housing is to the rear of the unit, and then align the centre of the lid with the bolt on the underside of the lid arm and push into position to expose the screw thread. Secure the lid by screwing on the sealing nut so that the red seal touches the lid surface.

Pressure  
Release Valve  
Cover towards  
rear of cooker



6. Clean and dry the bottom of the removable cooking bowl and the temperature sensor, making sure there are no unwanted materials on the surface. The removable cooking bowl must sit flat on the temperature sensor to ensure proper contact.
7. Click condensation drip cup into place.
8. Insert the connector end of the power cord into the cooker base, ensuring it is completely dry. Insert the power plug in to a 230/240 volt (grounded) power outlet.
  - Set altitude level (above sea level) - machine will display Set - Alt - (distance) - metres
  - Press the TIME (+/-) buttons to adjust to the closest altitude from 0 to 2000 metres.
  - Press START to confirm
9. The cooker alert will sound, and the LED will illuminate.
10. We recommend running a 15-minute cooking cycle with water to get rid of any protective substances in the cooking bowl and on the heating element.



### NOTE

The pressure cooker should not be used at altitudes above 2,000 metres.

Longer cooking times are needed at higher altitudes to achieve the best food results. For these high altitude areas, extend your cooking time as needed to achieve your desired food result.



## WARNING

Only use the cooking bowl intended for this appliance; using vessels not provided will result in a non-resettable issue.

## CONTROL PANEL SETTINGS

The Fast Slow GO™ features 6 Cooking Preset Settings; Pressure Cook, Slow Cook, Reduce, Sauté/Sear, Steam and Sous Vide. It also features 8 Food Presets: Soup, Stock, Meat, Stew, Legumes, Rice/Grains, Risotto and Yoghurt.

## FOOD PRESETS

The control panel displays 8 available food presets for easy selection.

Pressing any of the 8 food presets will use the default settings to achieve the best food results for that particular type of food. This includes changing to 'PRESSURE COOK' or 'SLOW COOK' mode.

Depending on the cooking mode, pressing a food preset button will adjust the PRESSURE or TEMPERATURE levels, the cooking time, and the pressure release mode, as well as turning on and off the KEEP WARM button.

The cooking time, KEEP WARM or DELAY START, can all be adjusted while remaining in selected food preset. However, any change to pressure or temperature levels, or pressure release setting (depending what mode the product is in) will change the unit to custom mode.



The table below shows, when selecting food menu, certain food can be cooked by either pressing 'PRESSURE COOK' or 'SLOW COOK'.

FOOD MENU	PRESSURE COOK	SLOW COOK
Soup	✓	✓
Stock	✓	✓
Meat	✓	✓
Stew	✓	✓
Legumes	✓	✓
Rice / Grains	✓	✗
Risotto	✓	✗
Yoghurt	✗	✓

## SIMPLE PRESET STEPS

E.g.

### SOUP

- Press the SOUP icon  on the interface.
- The interface will automatically suggest a Pressure Cooking function (if relevant). To select a Slow Cooking function, press the SLOW COOK button .
- The interface will automatically display the accurate cooking time and pressure level for soup.
- The cooking time can be modified by pressing the (+ / -) plus / minus time adjustment buttons.
- After ingredients are added, press START to begin cooking.



## TIP

If desired, it is possible to sauté vegetables or sear meat with the SAUTÉ/SEAR function prior to cooking. When finished, press STOP to cancel the SAUTÉ/SEAR function and select the next cooking preset.




## NOTE

- For first timers using pressure cooking method, pressure release can be overwhelming. As it releases big bold steam, always keep hands and face clear of the pressure release. (refer to page 16 for the variable steam release description and caution).

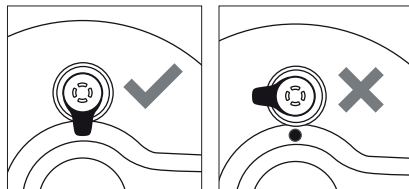
- Refer to 'Food Presets' and 'Cooking Presets' section for preset settings recommendations.
- If there is no visible light on any of the food preset indicators, then the product is in manual mode. Press a food preset button to return to its default settings.
- The steam or pressure release mode programmed into the preset cooking modes are selected for best results. Any changes to the steam release mode may lead to food spillage.

## MANUAL PRESSURE COOK MODE

Pressure Cooking is a method of cooking food in a small amount of liquid with a gasket sealed lid that retains steam inside and builds pressure. It is the increase in pressure that raises temperature of the liquid and steam inside to well above boiling point and therefore allows food to be cooked up to 70% faster. This means less energy is consumed and you will enjoy substantial savings in both time and cost. Because pressure cooked foods require very little cooking liquid, more vitamins, minerals, and other nutrients are retained, and the natural flavours are enhanced.

1. To select the manual pressure cook mode, press and hold the PRESSURE COOK button  for 2 seconds.
2. Adjust the cooking pressure by using the PRESSURE/TEMPERATURE (+/-) buttons. Pressure can be adjusted from 10 kPa (LOW) to 80 kPa (HIGH).
3. The figure on the LED screen indicates the preset cooking time for the selected setting. Adjust the cooking time by using the TIME (+/-) buttons (next to the 4 digit display) to reduce the cooking time or increase the cooking time. Time can be adjusted up to 2 hours.
4. Press the STEAM RELEASE button to select between 'NATURAL', 'AUTO QUICK', and PULSE steam release.
5. Place food into the removable cooking bowl. Ensure there is at least 1L of combined food and liquid in the bowl.

6. Close the lid and turn the lid knob clockwise to lock into place. The cooker alert will sound when the lid has been locked.
7. Ensure the pressure release valve is placed on the lid in the closed position.



8. Press the START button to commence cooking. The START/CANCEL button will illuminate orange, 'PREHEAT' will be lit.



### NOTE

It is normal for the cooker to release small bursts of steam as it stabilises.

9. If the lid has not been locked correctly, 'LID' indicator will flash and the audio alert will beep, cooking will be paused until the lid is in the correct position. Turn the lid knob clockwise to lock the lid and commence cooking.
10. Once the cooker has reached pressure, the 'PREHEAT' indicator light will disappear, the cooker alert will sound, the timer will start counting down.
11. The time can be adjusted during the pressure cook cycle by pressing the TIME (+/-) buttons. The cycle can be paused at any time by pressing the START/CANCEL button. To end the cycle press and hold START/CANCEL for 2 seconds. If there is already pressure in the vessel it will go immediately to the steam release cycle.
12. At the end of the pressure cook cycle, the cooker alert will sound, and steam will be automatically released through the pressure release valve. The steam icon will blink, the timer will start counting up.
13. If NATURAL steam release is selected, pressure will naturally subside in the vessel without forcing steam through

the pressure release valve. The steam release setting can be changed during the steam release cycle by pressing the STEAM RELEASE button.

14. At the end of the steam release cycle, the cooker alert will sound, the display will flash, and if 'KEEP WARM' is on, display timer will start counting up.
15. Open the lid by turning the lid knob counter clockwise and carefully lift the lid into the hinged open position.
16. After 5 minutes of inactivity, standby mode will be activated. The LED will no longer illuminate.



### CAUTION

To avoid scalding from escaping steam, never place your face or hands over the cooker when removing the lid.



### WARNING

If the lid will not unlock this indicates the appliance is still under pressure. Do not force the lid open as any remaining pressure can be hazardous.

Press and hold the STEAM RELEASE button to manually release steam.

## PRESSURE COOKING TABLE

Refer to this table for the approximate temperature for each kPa level:

Pressure Level (kPa)	Temperature (°C)
10	102
20	104
30	106
40	108
50	110
60	112
70	114
80	116

## HANDS- FREE VARIABLE STEAM RELEASE

The Fast Slow GO™ features 3 steam release methods:

### Auto Quick

Pressure is released quickly to minimise overcooking of foods or recipes with short cook times.

This is recommended only for food types that do not expand or foam when boiling.

### Pulse

Pressure is released in bursts to reduce disturbance to the food inside.

This is recommended for food types that generate small amount of foam or do not foam at all when boiling.

### Natural


Pressure naturally subsides inside without releasing steam through the vent to prevent the churning up or breaking apart of sensitive ingredients like stocks and beans during pressure release.

Natural pressure release mode is suitable for all types of food recipes.



### NOTE

Some food type (e.g. legumes) that are known to generate excessive foam can only use 'Natural' Pressure release to prevent food spillage.

These can be selected using the Steam Release button  on the control panel during the set up and steam release cycles. Once selected, the Pressure Release Valve will automatically release the steam at the end of the pressure cooking cycle.

Pressing and holding the steam release button during or after a cooking cycle will open the pressure release valve.



### NOTE

The steam or pressure release mode programmed into each preset cooking modes are selected for best results.



Any changes to the steam release mode may lead to food spillage.




## CAUTION

Always keep hands and face clear of the pressure release valve when pressure cooking as hot steam and water may be emitted during operation.

## MANUAL SLOW COOK MODE

The SLOW COOK setting is designed for long cook times at low temperatures. It is also ideal for breaking down tough cuts of meat and developing deep flavours.

1. Select the Slow Cook  on the interface.
2. The LED screen indicates the preset temperature for the selected food. But you may press the PRESSURE/TEMPERATURE (+/-) buttons to reduce the temperature or to increase temperature. Temperature can be adjusted to two preset temperatures: HI - LO.
3. The LED screen indicates the preset cooking time for the selected food. You may adjust the TIME (+/-) to reduce or increase the cooking time. Time can be adjusted between 2 and 12 hours.
4. 'KEEP WARM' indicator will automatically switch on after the SLOW COOK cycle. Press the 'KEEP WARM' button on the control panel to select or deselect the function.
5. Place food into the removable cooking bowl. Ensure there is at least 1L of combined food and liquid in the bowl.
6. Close and lock the lid.
7. Turn the pressure release valve to the open position.
8. Press the START button to commence cooking. The START/CANCEL button will illuminate orange.
9. The timer will be displayed and automatically begin to count down. The time can be adjusted during the slow cook cycle by pressing the TIME (+/-) button. The cycle can be paused at any time by pressing the START/CANCEL button. While paused, cooking settings can be adjusted. Pressing START/CANCEL button again, will continue cooking using the newly adjusted settings.



## NOTE

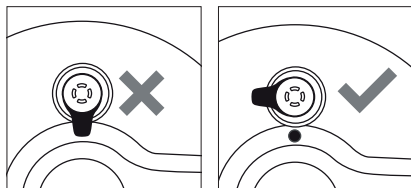
To remove steam during pause, hold the steam release button. During slow cooking, there may be some pressure build up that makes the lid difficult to open. If this occurs, press the STEAM RELEASE button until all internal pressure is released, and the cooker can be opened.

10. At the end of the slow cook cycle, the cooker will automatically switch to the KEEP WARM function. The KEEP WARM indicator will be lit, and the timer will start counting up to a maximum of 6 hours. The keep warm cycle can be paused at any time by pressing the START/CANCEL button.
11. If KEEP WARM has not been selected, the cooker alert will sound, the START/CANCEL orange illumination will turn off.
12. After 5 minutes of inactivity, standby mode will be activated. The light will go out.

## TIPS FOR PRESSURE & SLOW COOKING

### Soup

- The PRESSURE & SLOW COOK SOUP setting is suitable for cooking a variety of soups from light broths to hearty minestrone to pureed vegetable soups.
- Use the SAUTÉ/SEAR settings to brown meat and soften aromatics prior to cooking.
- To shorten the pressurizing time, add cold water/stock to bowl while still in the SAUTÉ



or SEAR setting and allow the water to come to a simmer before pressure cooking.

- Do not overfill the cooking bowl. The total volume of soup should not exceed the 'MAX' level marking inside the removable cooking bowl.

### **Stock**

- The PRESSURE & SLOW COOK STOCK setting is suitable for making all kinds of stock, including chicken, beef and vegetable.
- To make a brown stock, use the SAUTÉ/SEAR setting to brown bones and vegetables prior to pressure or slow cooking.
- Vegetables such as onions, carrots and celery should be cut into large pieces. This will help keep the stock clear and make it easier to strain at the end of cooking.
- To shorten the pressurising time, add cold water to bowl while still in the SAUTÉ/SEAR setting and allow the water to come to a simmer before pressure cooking.
- Do not overfill the cooking bowl. The total volume of water, bones and/or aromatics should not exceed the 'MAX' level marking inside the removable cooking bowl.

### **Meat**

- The PRESSURE & SLOW COOK MEAT setting uses high temperature/pressure to dissolve connective tissue, producing fork-tender, succulent results. Sauces become thick and well developed.
- Choose well-marbled cuts of meat for the best flavor and texture.
- Cut larger pieces of meat into 2 or 3 pieces to better fit the cooking bowl.
- Use the SAUTÉ/SEAR setting to brown meat in batches, prior to cooking.
- Unlike traditional stewing or braising, pressure and slow cooking have almost no evaporation. For deeply flavored dishes, use less liquid than called for in traditional recipes, 1 – 1½ cups (250-375ml) maximum.
- Do not overfill the cooking bowl. The total volume of uncooked ingredients should not exceed the 'MAX' level marking inside the removable cooking bowl.

### **Stew**

- The PRESSURE & SLOW COOK STEW setting is ideal for cooking ground meat, meat sauces and hearty stews.
- Use the SAUTÉ/SEAR setting to brown meat and soften aromatics prior to cooking.
- Unlike traditional stovetop methods, pressure and slow cooking have almost no evaporation. For thick, rich chillies and stews use less liquid than called for in traditional recipes. Use the REDUCE setting after cooking to thicken foods that are too soupy.
- Do not overfill the cooking bowl. The total volume of uncooked stew ingredients should not exceed the 'MAX' level marking inside the removable cooking bowl.

### **Legumes**

- The PRESSURE & SLOW COOK LEGUMES setting is suitable for cooking all types of legumes, lentils and dried beans.
- Legumes and other beans can produce a lot of foam during cooking. The preset NATURAL steam release setting ensures foam does not interfere with the steam release valve.
- Cooking times are based on unsoaked dried beans. To shorten the cooking time, soak beans in cold water overnight. Discard soaking water and cook with fresh cold water for half of the preset cooking time.
- Use a ratio of 1-part beans to 3 parts water.
- Beans and legumes swell and double in size after cooking. Do not overfill the cooking bowl. The total volume of uncooked legumes and water should not exceed the ½ level marking inside the removable cooking bowl.

### **Rice | Grains**

- The PRESSURE COOK RICE setting is designed to cook rice and grains, so they remain separate and tender. It is suitable for all types of rice such as long grain, jasmine, basmati and brown rice.
- When pressure cooking brown rice, increase the cooking time to 20 minutes.

- Measure or weigh dry rice accurately and wash well with cold water until water runs clear. Drain well and place into the removable cooking bowl.
- Add corresponding water amount. Refer to the cooking table for rice/grains and legumes on the Sage webpage for more information.
- After cooking, allow rice to stand in bowl for 5 minutes before stirring and serving.
- Rice will double or triple in size after cooking. Do not overfill the cooking bowl. The total volume of uncooked rice and liquid should not exceed the ½ level marking inside the removable cooking bowl.

### Risotto

- The **PRESSURE COOK RISOTTO** setting is ideal for making creamy risotto, without all the stirring and in a fraction of the time.
- Use the **SAUTÉ/SEAR** setting to soften onions and other aromatics, as well as deglaze the cooking bowl with wine.
- The key to creamy risotto is toasting the rice grains before the liquid is added. Use the **SAUTÉ/SEAR** setting to toast the rice, stirring frequently, for 3–5 minutes or until the edges become transparent and then turn white.
- With little or no evaporation during pressure cooking, it is important to keep to the ratio of 1-part rice to 3 parts stock. If adding a lot of vegetables to the risotto, reduce stock by a third.
- Rice will double or triple in size after cooking. Do not overfill the cooking bowl. The total volume of uncooked rice and stock should not exceed the ½ level marking inside the removable cooking bowl.

### OTHER PRESET SETTINGS:

#### SAUTÉ/SEAR

This preset has three levels: low sauté, medium sauté and sear.

The temperature level will be indicated on the Slow Cook temperature light indicator. (see page 10 - letter M. - for control panel illustration)

The **SAUTÉ** setting is ideal for softening and caramelizing garlic, onions or vegetables prior to pressure or slow cooking. The **SAUTÉ** setting corresponds to the **MED** and **LOW** temperature levels on your appliance.

The **SEAR** setting is designed to enhance and deepen the taste of meals by using the same cooking bowl for caramelizing and browning foods before pressure or slow cooking. The **SEAR** setting corresponds to the **HIGH** temperature level on your appliance.

#### REDUCE

This preset has three levels: low, medium and high.

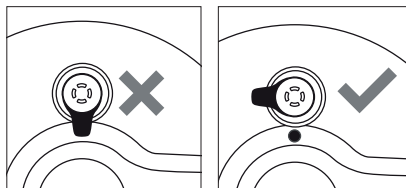
The temperature level will be indicated on the Slow Cook temperature light indicator. (see page 10 - letter M. - for control panel illustration)

The **REDUCE** function is ideal for thickening and intensifying the flavor of sauces, syrups and stocks.

#### STEAM

The **STEAM** setting is ideal for steaming food such as vegetables, fish fillets and dumplings. When steaming for more than 30 minutes, it is recommended to add 1 cup (250ml) warm water into the cooking bowl at 30-minute increments to ensure consistent steaming performance.

To reduce condensation forming on the outside surfaces of the lid and handle, it is recommended to turn the pressure release valve to the open position.



## **SOUS VIDE**

The SOUS VIDE setting is ideal for cooking food to a very precise temperature in a water bath.

### **What is Sous Vide?**

Sous Vide is a cooking technique that allows you to cook food to the doneness you desire by heating water to a set temperature. Food items are placed in a heat-proof BPA food safe plastic bag, that is submerged and cooked to your preferred doneness without the risk of drying out through over cooking.

### **What do you need to cook food with the Sous Vide function?**

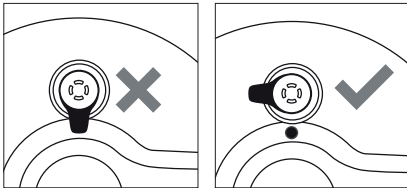
Thick heat-proof BPA food safe plastic bags. Resealable bags will also work if the cooking temperature is under 70°C.

### **Do I need to vacuum seal?**

You do not need to vacuum seal bags for SOUS VIDE, however, as much air as possible needs to be removed from the bag, and water prevented from entering the bag to provide accurate food results. To use the water displacement method, place food in a resealable bag with a double seal, then lower the bagged food into a water filled container. Once most of the air is out of the bag, carefully seal just above the water line.

### **Is the lid open or closed?**

We recommend using the SOUS VIDE function with the lid closed and in locked position, and turn the pressure release valve to the open position to ensure consistent cooking temperature.



### **When do I sear?**

You can sear items before or after cooking with the SAUTÉ/SEAR function. If searing prior to using the SOUS VIDE function, allow time for resting and cooling overnight in the refrigerator.

## **SOUS VIDE steps:**

1. Fill cooking bowl with cool water until it has reached the MAX line. To reduce preheat time, start with water close to your target temperature.
2. Press SOUS VIDE and set temperature and time as desired. Close lid and press START to begin heating water.
3. Place the food item or the produce in a plastic Sous Vide bag or a resealable bag. If you do not have specific Sous Vide sealed bag, we recommend using a double-sealed resealable bag. Add aromatics like bay leaves, rosemary, lemon slices or rind and oil as desired.
4. When water has reached desired temperature (machine will beep once), carefully place bag into the water bath. If bag floats, place stainless trivet upside down over the bag to keep it fully submerged.
5. Close and lock the lid but ensuring the pressure release valve is in the open position.
6. When cooking time is completed, remove bag from water bath.

### **Temperature and Time:**

- BEEF FILLET (2.5cm thick) – Medium rare – 54°C for 1 hour
- CHICKEN FILLET (2.5cm thick) – Tender – 65°C for 45 mins
- SALMON FILLET (2.5cm thick) – Medium – 50°C for 40 mins
- EGGS – poached egg – 64°C for 1 hour

## YOGHURT

### How to use the yoghurt shortcut auto program

#### Natural Yoghurt

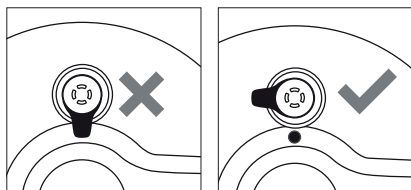
Prep time: 10 minutes / Incubating: 8 hours (plus 1 hour 30 minutes cooling)

1 litre full-cream homogenised milk

2 tbsp full-cream natural yoghurt with live and active cultures

#### STEP 1 – Scald the Milk

Place the cooking bowl in the Fast Slow GO™. Add the milk. Close and lock the lid, and turn the pressure release valve to the open position.



Press YOGHURT then press START. The milk will heat to 83°C and hold at the temperature for 10 minutes.

The pasteurisation process kills any bad bacteria that can spoil the milk as well as to eliminate potential competitors of the active yoghurt cultures.

#### STEP 2 – Cool the Milk

Open the lid and do not press any controls. The cooling phase will automatically cool the milk to 43°C. This process ensures that the appliance reaches the temperature for optimal growth of yogurt starter cultures. If the temperature is too high your cultures might die. First the word 'COOL' will appear on the cooker screen. At the end of the cooling time the cooker will sound an alert when it has reached the correct temperature, about 1 hour 30 minutes.



#### TIP

Cooling the milk with the lid open will result in a skin forming on top. Removing this skin before adding the starter will help to ensure a smoother texture to the yoghurt.

#### STEP 3 – Incubate the Yoghurt

At the end of STEP 2, the word 'ADD' will appear in the cooker screen. Place the yoghurt starter in a bowl. Add ½ cup (125ml) of the cooled milk and whisk until smooth. Whisk the milk mixture into the cooled milk in the cooking bowl. Close and lock the lid press START to incubate for 5-8 hours. The longer it is incubated the tangier the yoghurt will be.

#### STEP 4 – Refrigerate

When the cooker sounds an alert that the yoghurt has finished incubating, remove the cooking bowl, cover with plastic wrap and refrigerate until cold. Once the yoghurt is completely cold, transfer to an airtight container and refrigerate for up to 2 weeks.



#### TIPS

- Using homogenised milk will produce a smoother yoghurt. If your result is slightly lumpy and separated, whisk the cooled yoghurt gently to combine.
- To cool scalded milk faster, place cooking bowl in a larger bowl of iced water, check the temperature with a thermometer. When the milk has reached 43°C, add ½ cup (125ml) of the cooled milk to the yoghurt starter, whisk until smooth, then whisk in the mixture, wipe the bottom of the pot dry and insert the pot back into the pressure cooker.
- To increase tanginess of the yoghurt, increase the incubation time.

#### KEEP WARM

The KEEP WARM function maintains hot food at safe serving temperature of 60°C or above for up to 6 hours at the end of a cooking cycle. If using the KEEP WARM function as a standalone, the feature can be run for up to 24 hours.

- To use KEEP WARM as a standalone function, keep the lid close, then press and hold the KEEP WARM button on the control panel.
- The KEEP WARM function can be toggled on and off in both PRESSURE COOK and SLOW COOK using the KEEP WARM button on the control panel. The 'KEEP WARM' light is lit, and the timer will start

counting up to a maximum of 6 hours at the end of a cooking cycle.



## NOTE

To not compromise food quality, it is recommended to use KEEP WARM function no longer than 1-2 hours.

## DELAY START

The Fast Slow GO™ has a timer function to delay the start of cooking for up to 24 hours. This timer function does not apply to the keep warm and steam functions.

The DELAY START function is disabled for MEAT food preset.



## CAUTION

Never allow meat, poultry, seafood, eggs or other goods that require refrigeration to sit at room temperature for more than two hours. Bacteria quickly multiplies in warm temperatures between 4°C and 60°C.

The following steps show how to program for delayed cooking:

- Adjust cooking cycle time and temperature/pressure level as desired.
- Press 'DELAY START' button to enable DELAY START function.
- The screen will show the delay start time in hours and minutes.
- Use the TIME (+/-) buttons to adjust the time delay in 15-minute intervals for up to 24 hours.
- Press DELAY START again at any time to exit without saving the delay start setting.
- Press START/CANCEL to activate the current cooking settings with a delayed starting time.
- Time will start counting down and preheat LED will not be illuminated during DELAY START.

## ALTITUDE ADJUST

Pressure builds and increases when the temperature inside the cooking bowl exceeds boiling point. As altitude increases, the temperature at which water boils decreases as a result of the drop in air pressure. This creates very different conditions for cooking when using a pressure cooker.

In order to maintain consistent cooking results at various altitudes, the Fast Slow GO™ has an Altitude Adjust feature that adjusts the settings based on the altitude of your current location.

1. To enter Altitude press and hold both the DELAY START and KEEP WARM buttons for 2 seconds.
2. Press the TIME (+/-) buttons or the PRESSURE/TEMPERATURE (+/-) buttons to adjust altitude.
3. Four-digit display shows 'Alt' and number, switching every 1 second.
4. Press START button to confirm and a beep will sound.
5. The cooker's settings have now been adjusted for your current altitude. Pressing any button or quitting after timeout will save the current set altitude value. To change altitude to factory settings, adjust the altitude back to 0 metre.



## NOTE

Exact altitude can be found at [www.elevationmap.net](http://www.elevationmap.net) or by contacting Sage Customer Service Centre.

## SETTING THE UNIT MEASURE

The unit measure default is in Celsius (C). To change between metric and imperial units, press the PRESSURE/TEMPERATURE (+/-) buttons for 5 seconds and the display will show F for Fahrenheit. Press the PRESSURE/TEMPERATURE (+/-) buttons again for 5 seconds to revert to Celsius and the display will show C.



## Care & Cleaning

Before cleaning, ensure the cooker is turned off. Remove the power plug from the power outlet and remove the connector end of the power cord from the cooker base. Allow the cooker and all accessories to cool completely before disassembling and cleaning.

Wash removable cooking bowl with warm soapy water and a clean soft cloth or sponge. Rinse with clean water and dry thoroughly.

If limescale deposits develop over time, combine 2 tablespoons of white vinegar and 1 cup (250ml) hot water in the cooking bowl and heat using the steam function for 10 minutes before cooling and cleaning with a scrubbing brush.



### NOTE

Removable cooking bowl can be washed in dishwasher, but it is recommended to wash cooking bowl in hot, soapy water using a mild household detergent. Rinse and dry thoroughly.



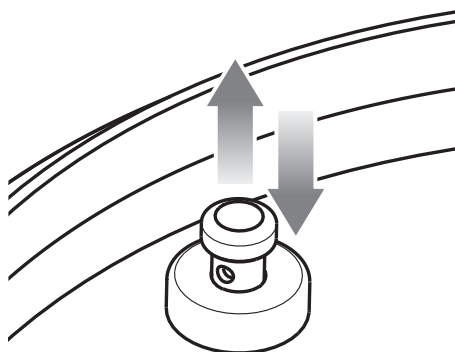
### WARNING

- Do not use abrasive cleaners, steel wool or scouring pads on the outer and inner body of the appliance.
- Do not immerse metal base or power cord in water or any other liquid as they may cause electrocution.
- Ensure removable cooking bowl is correctly positioned in the base before you commence cooking.

### DISASSEMBLE LID:

- Gently pull the silicone rubber gasket out from under the gasket holder. Check periodically that it is clean, flexible and not cracked or torn. If damaged do not use the appliance.

- Wash the inside of the lid with a wet, soapy sponge or cloth. Use a brush to remove oil residue if necessary. Wipe dry with a clean, damp cloth.
- Regularly inspect that Pressure Release Valve Cover is clean and free of liquid/food. Remove pressure release valve cover from the lid and wipe over with a soapy cloth and dry clean. Rinse well and replace by clipping back in place.
- Pressure Safety Valve will need to be regularly checked and cleaned in order to avoid any clogging which could result in blocking the safety valve. Wash and clean any oil or food residue. Ensure the valve moves in and out smoothly after cleaning.



### SILICONE RUBBER GASKET:

- Replace silicone rubber gasket every 1–2 years (see your nearest Sage Service Centre).
- Wash gasket in warm, soapy water. Rinse with clean water, dry thoroughly and place back in their original position.
- The silicone rubber gasket can be washed in the top rack of a dishwasher to eliminate odour from spices.
- Soak the silicone rubber gasket in a mixture of bicarbonate soda and water to help eliminate odours before cleaning.



## WARNING

If the silicone rubber gasket is not fitted correctly into the holder, the lid will not seal properly. This may cause the appliance to malfunction and leak steam or hot liquid which can cause burns or scalding.



## TIP

A mixture of  $\frac{1}{2}$  cup (125ml) lemon juice, 1 tablespoon lemon rind plus 500ml hot water cooked at HIGH pressure for 5 minutes can help eliminate food odours.

## STORAGE:

- Ensure the cooker is turned off. The cooker is off when all lights are off on the display.
- Remove the power plug from the power outlet. Allow the cooker and all accessories to cool completely before disassembling and cleaning.
- Ensure the cooker and all accessories are clean and dry.
- Ensure the bowl is inserted into the cooker.
- Ensure the lid is closed and in the locked position.
- Store the appliance in an upright position standing level on its support legs. Do not store anything on top.





## Troubleshooting

PROBLEM	EASY SOLUTION
<b>The lid cannot be opened at the end of the cooking cycle</b>	<ul style="list-style-type: none"> <li>• Press the STEAM RELEASE button until all internal pressure is released, and the cooker can be opened.</li> <li>• If this occurs frequently, the cooker may need to be adjusted to suit your current altitude. Follow “Altitude Adjust” instructions.</li> </ul>
<b>The LID led is flashing and the buzzer is sounding</b>	<ul style="list-style-type: none"> <li>• Turn the lid to the correct position for pressure cooking or slow cooking.</li> </ul>
<b>Steam is escaping from the lid</b> OR <b>Safety locking pin does not rise</b> OR <b>Cooker is not getting to pressure</b> OR <b>Timer will not count down</b> OR <b>The screen displays ‘SEAL’</b>	<ul style="list-style-type: none"> <li>• Assemble the lid correctly ensuring there is no gap between lid arm and the stainless steel lid. The sealing nut should be screwed on tightly.</li> <li>• Ensure the silicone lid seal is clean, free from damage or cracks and is properly inserted.</li> <li>• Ensure that the safety locking pin can move freely up and down.</li> <li>• When the lid is locked, ensure the safety locking pin is properly aligned within the opening of the lid arm.</li> <li>• Ensure that the pressure release valve is properly seated in position and facing the lid knob.</li> <li>• Add more liquid/food to the bowl. There should be a minimum of 1 litre combined food and liquid.</li> <li>• If problem persists, call Sage Customer Service.</li> </ul>
<b>The cooker automatically switches to keep warm without going through a complete cooking cycle</b>	<ul style="list-style-type: none"> <li>• Add more water to the cooking bowl and restart the cycle.</li> </ul>
<b>Water is collecting on the benchtop</b>	<ul style="list-style-type: none"> <li>• Ensure the cooker is on a flat level surface and that the condensation drip cup is installed on the back of the cooker. Follow “Preparing the Fast Slow GO™” instructions on page 13.</li> <li>• Empty the condensation drip cup.</li> </ul>
<b>The screen displays “Err”</b>	<ul style="list-style-type: none"> <li>• The screen will display “Err” when there is a non-resettable issue with the appliance. Should this occur, immediately remove the power cord from the power outlet and contact Sage Consumer Support.</li> </ul>
<b>Factory Reset</b>	<ul style="list-style-type: none"> <li>• Press and hold 'soup' and 'sous vide' buttons for three seconds to clear settings including altitude level.</li> </ul>



## Guarantee

### **2 YEAR LIMITED GUARANTEE**

Sage Appliances guarantees this product for domestic use in specified territories for 2 years from the date of purchase against defects caused by faulty workmanship and materials. During this guarantee period Sage Appliances will repair, replace, or refund any defective product (at the sole discretion of Sage Appliances).

All legal warranty rights under applicable national legislation will be respected and will not be impaired by our guarantee. For full terms and conditions on the guarantee, as well as instructions on how to make a claim, please visit [www.sageappliances.com](http://www.sageappliances.com).

# *the Fast Slow GO™*

BPR680/SPR680



DE HANDBUCH

# Sage®



## Inhalt

- 2 Bei Sage steht Sicherheit an erster Stelle
- 11 Komponenten
- 12 Bedienfeld
- 13 Voreinstellungen
- 14 Kochfunktionen
- 15 Funktionen
- 27 Pflege und Reinigung
- 29 Störungsbehebung
- 30 Garantie

## BEI SAGE STEHT SICHERHEIT AN ERSTER STELLE

**Wir bei Sage® sind sehr sicherheitsbewusst. Beim Design und bei der Herstellung unserer Produkte denken wir zuallererst an Ihre Sicherheit. Wir bitten Sie, bei der Verwendung aller Elektrogeräte angemessene Sorgfalt walten zu lassen und sich an die folgenden Vorsichtsmaßnahmen zu halten.**

## WICHTIGE SICHERHEITSHINWEISE

### BITTE ALLE ANWEISUNGEN VOR GEBRAUCH LESEN UND ZUM SPÄTEREN NACHSCHLAGEN AUFBEWAHREN

- Dieses Dokument ist unter [sage-appliances.com](http://sage-appliances.com) auch zum Download verfügbar.
- Lassen Sie Kinder nicht in die Nähe des Schnellkochtopfs, während dieser in Betrieb ist.
- Stellen Sie den Schnellkochtopf nicht in einen erhitzten Ofen.
- Bewegen Sie den Schnellkochtopf äußerst vorsichtig, fassen Sie heiße Oberflächen nicht an, verwenden Sie vorhandene Griffe sowie Knäufe und, wenn nötig, Schutzzubehör.

## **WARNUNG**

Verwenden Sie den Schnellkochtopf ausschließlich für seinen Bestimmungszweck. Dieses Gerät steht während des Kochvorgangs unter Druck. Unsachgemäßer Gebrauch des Schnellkochtopfs kann zu Verbrühungen führen. Versichern Sie sich, dass der Kochtopf richtig verschlossen ist, bevor Sie ihn einschalten. Weitere Informationen erhalten Sie im Abschnitt „Schnellkochen“.

- Öffnen Sie den Schnellkochtopf niemals mit Gewalt oder bevor Sie sich versichert haben, dass im Inneren des Gerätes kein Druck mehr herrscht. Weitere Informationen erhalten Sie im Abschnitt „Dampfabgabe“.

- Der Behälter darf erst geöffnet werden, sobald der Innendruck ausreichend gesunken ist.
- Verwenden Sie den Schnellkochtopf niemals ohne Wasser, da dies das Gerät ernsthaft beschädigen würde.
- Befüllen Sie den Kochtopf maximal nur zu zwei Drittel. Für die Zubereitung von Lebensmitteln, die sich während des Kochvorgangs ausdehnen (z. B. Reis oder dehydriertes Gemüse), sollte der Kochtopf nur bis zur Hälfte befüllt werden.
- Dieses Gerät verfügt über eine eingebaute Hitzequelle.
- Fleisch mit Haut (z. B. Ochsenzunge) kann aufgrund des für den Kochvorgang verwendeten Drucks anschwellen. Stechen Sie dieses Fleisch

nicht an, solange es geschwollen ist – dies könnte zu Verbrühungen führen.

- Die Oberfläche des Heizelements sondert nach Gebrauch noch Restwärme ab.
- Wenn Sie Lebensmittel mit dickflüssiger oder teigähnlicher Textur zubereiten, könnten diese durch den Druck im Inneren herausgeschleudert werden. Lassen Sie erst den Dampf entweichen und schütteln Sie danach den Kochtopf sanft. Lassen Sie den verbleibenden Dampf nochmal ab, bevor Sie das Gerät öffnen.
- Überprüfen Sie vor jedem Gebrauch, dass keines der Ventile verstopft ist. Eine Anleitung dafür finden Sie in den Gebrauchsanweisungen.
- Verwenden Sie den Schnellkochtopf niemals, um Lebensmittel zu frittieren, wenn dieser unter Druck steht.
- Die Sicherheitssysteme sollten nur zur Reinigung manipuliert werden. Befolgen Sie dafür die Wartungshinweise in den Gebrauchsanweisungen.
- Verwenden Sie nur für das jeweilige Modell bestimmte, originale Sage®-Ersatzteile. Besonders das Gehäuse und der Deckel sollten von Sage® stammen und kompatibel sein.
- Bitte vergewissern Sie sich vor dem ersten Gebrauch, dass die Netzspannung der Angabe auf der Unterseite des Gerätes entspricht. Wenden Sie sich im Zweifelsfall an Ihren örtlichen Stromversorger.
- Entfernen und entsorgen Sie jegliches Verpackungsmaterial sowie

- Aufkleber vor der Inbetriebnahme.
- Entfernen und entsorgen Sie die am Netzstecker dieses Gerätes angebrachte Schutzhülle, da diese eine Erstickungsgefahr für Kleinkinder darstellt.
  - Vergewissern Sie sich vor dem Gebrauch, dass das Gerät ordnungsgemäß zusammengesetzt wurde. Halten Sie sich an die Anweisungen in dieser Broschüre.
  - Schließen Sie stets den Gerätestecker des Netzkabels an die Netzkabelbuchse des Geräts an, bevor Sie den Netzstecker in die Steckdose stecken und das Gerät anschalten. Die Netzkabelbuchse muss trocken sein, bevor Sie den Gerätestecker anschließen.
  - Der Gerätestecker darf nicht mit Flüssigkeiten in Berührung kommen.
  - Fassen Sie heiße Oberflächen nicht an. Die Oberflächen des Gerätes sind während des und nach dem Betrieb heiß. Verwenden Sie zum Vermeiden von Verbrennungen und Verletzungen immer Topflappen, isolierte Ofenhandschuhe oder Griffe und Knäufe, falls vorhanden.
  - Platzieren Sie das Gerät, während es in Betrieb ist, nicht am Rand einer Arbeitsfläche oder eines Tisches. Die Arbeitsfläche muss eben, sauber, trocken und frei von anderen Substanzen sein.
  - Kochgeräte müssen stabil aufgestellt und die Griffe (falls vorhanden) gesichert werden, um dem Verschütten von heißen Flüssigkeiten vorzubeugen.
  - Verwenden Sie das Gerät nur auf einer stabilen und hitzebeständigen

- Oberfläche. Platzieren Sie das Gerät nicht auf einer mit Stoff bedeckten Oberfläche und stets mit einem Mindestabstand von 20 cm zu Wänden, Vorhängen, Stoffen und anderen entflammaren Materialien.
- Platzieren Sie dieses Gerät nicht auf oder in der Nähe eines Gas- bzw. Elektrokochfelds oder eines beheizten Ofens.
  - Betreiben Sie das Gerät nicht auf dem Abtropfbrett eines Spülbeckens.
  - Nutzen Sie den Kochtopf nicht direkt auf einer steinernen Arbeitsfläche, da diese empfindlich auf unregelmäßige Hitze reagieren und, wenn sie lokal erhitzt werden, brechen können. Platzieren Sie stattdessen ein Schneidbrett oder eine hitzebeständige Matte unter dem Schongarer.
  - Platzieren Sie keine Gegenstände, außer dem Deckel, auf dem zusammengebauten Kochtopf, während Sie diesen nutzen oder lagern.
  - Fassen Sie das Gerät nicht am Deckelgriff, um es zu transportieren.
  - Wischen Sie den Boden der herausnehmbaren Kochschüssel und den Boden des Gerätes mit einem weichen Tuch trocken, bevor Sie die Kochschüssel in die Edelstahlbasis einsetzen.
  - Verwenden Sie die herausnehmbare Kochschüssel nicht, wenn diese beschädigt ist, sondern ersetzen Sie sie, bevor Sie das Gerät verwenden.
  - Füllen Sie Lebensmittel oder Flüssigkeiten nicht direkt in die Edelstahlbasis. Allein die entnehmbare



Kochschüssel ist dafür konzipiert, Lebensmittel und Flüssigkeiten zu halten.

- Überprüfen Sie das Druckabgabeventil und den Sicherheitsverriegelungsstift auf Verstopfungen, bevor Sie das Gerät verwenden, und reinigen Sie sie falls nötig. Der Sicherheitsverriegelungsstift sollte sich leicht von der Unterseite des Deckels lösen lassen.
- Berühren Sie das Druckabgabeventil nicht, während das Gerät in Betrieb ist.
- Verwenden Sie nur die empfohlene DAMPFABGABE-Taste, um nach Gebrauch den Druck aus dem Kochtopf zu entlassen.
- Lassen Sie das Gerät nicht unbeaufsichtigt, während es in Gebrauch ist.


## **WICHTIGE SICHERHEITSHINWEISE FÜR ALLE ELEKTRISCHEN GERÄTE**



- Verwenden Sie dieses Gerät nicht, wenn es abgenutzt, fallen gelassen oder in irgendeiner Weise beschädigt wurde.
- Rollen Sie das Netzkabel vor Verwendung ganz aus.
- Achten Sie darauf, dass das Netzkabel nicht über die Kante einer Arbeitsfläche oder eines Tisches hängt, keine heißen Oberflächen berührt oder sich verknotet.
- Schließen Sie das Gerät nur an eine 220 bis 240-Volt-Steckdose an.
- Schalten Sie das Gerät immer aus und schalten Sie ggf. den Strom an der Steckdose ab bzw. ziehen Sie den Netzstecker, wenn das Gerät nicht in Gebrauch ist. Lassen Sie alle Teile

- abkühlen, bevor Sie das Gerät bewegen, es reinigen oder lagern.
- Dieses Gerät darf von Kindern ab 8 Jahren und Personen mit eingeschränkten körperlichen, sensorischen oder geistigen Fähigkeiten oder Personen, denen es an Erfahrung und Kenntnis mangelt, nur unter Beaufsichtigung benutzt werden oder wenn sie in die sichere Handhabung des Geräts eingewiesen wurden und die damit verbundenen Gefahren verstehen.
  - Das Gerät ist kein Spielzeug für Kinder.
  - Reinigung und Wartung des Geräts sollten nicht von Kindern durchgeführt werden, es sei denn, sie sind älter als 8 Jahre und werden beaufsichtigt.
  - Halten Sie das Gerät und Kabel außerhalb der Reichweite von Kindern unter 8 Jahren.
  - Wir empfehlen, das Gerät regelmäßig auf Schäden zu überprüfen. Benutzen Sie das Gerät nicht, wenn das Netzkabel, der Netzstecker oder das Gerät selbst in irgendeiner Weise beschädigt sind. Im Fall von Schäden oder Wartungsarbeiten, die über die gewöhnliche Reinigung hinausgehen, kontaktieren Sie den Sage-Kundendienst oder besuchen Sie [sageappliances.com](http://sageappliances.com).
  - Die Verwendung von Zubehörteilen, die nicht von Sage® vertrieben oder empfohlen werden, kann zu Bränden, Stromschlägen oder Verletzungen führen.
  - Dieses Gerät ist nur für den Hausgebrauch bestimmt. Verwenden Sie dieses Gerät ausschließlich zu seinem Bestimmungszweck. Verwenden Sie

das Gerät nicht in sich bewegenden Fahrzeugen oder Booten. Verwenden Sie das Gerät nicht im Freien. Fehlgebrauch kann zu Verletzungen führen.

- Dieses Gerät ist nicht dafür gedacht, über einen externen Zeitschalter oder eine separate Fernbedienung bedient zu werden.
- Als zusätzliche Schutzmaßnahme bei der Verwendung von Elektrogeräten wird die Montage eines Schutz- oder Sicherheitsschalters empfohlen. Es ist ratsam, in dem Stromkreis, an den das Gerät angeschlossen ist, einen Schutz- oder Sicherheitsschalter zu installieren, dessen Bemessungsfehlerstrom 30 mA nicht überschreitet. Wenden Sie sich an einen Elektriker für fachgerechte Beratung.

 Schützen Sie sich vor Stromschlägen, indem Sie das Netzkabel, den Netzstecker und das Gerät nicht in Wasser oder andere Flüssigkeiten eintauchen.

 Dieses Symbol bedeutet, dass das  Gerät nicht mit dem gewöhnlichen Haushaltsmüll entsorgt werden darf. Stattdessen muss es zu einer für diesen Zweck eingerichteten, behördlichen Sammelstelle oder zu einem Händler gebracht werden, der eine fachgerechte Entsorgung anbietet. Weitere Informationen dazu erhalten Sie bei Ihrem Gemeindeamt.

# TECHNISCHE DATEN

Modell	SPR680
Nennvolumen	6 Liter
Nutzbares Volumen	4 Liter
Arbeitsdruck	80 kPa
Hitzequelle	Elektrisches Heizelement

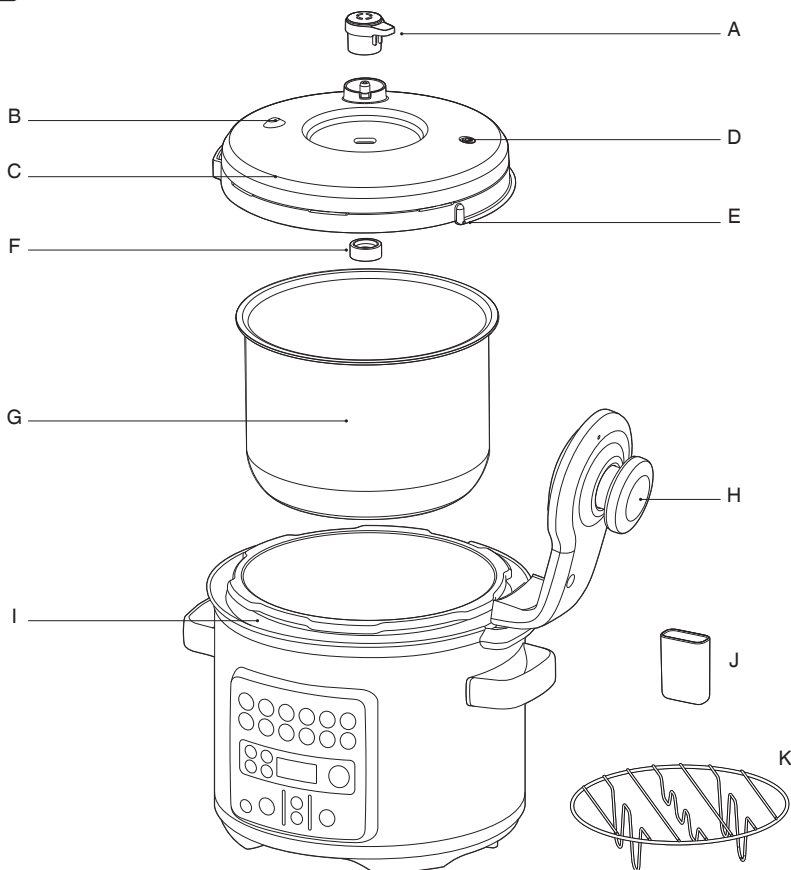
Diese Angaben können sich ohne vorherige  
Ankündigung ändern.

**NUR FÜR DEN HAUSGEBRAUCH  
BESTIMMT.**

**BEWAHREN SIE DIESE  
BEDIENUNGSANLEITUNG AUF**

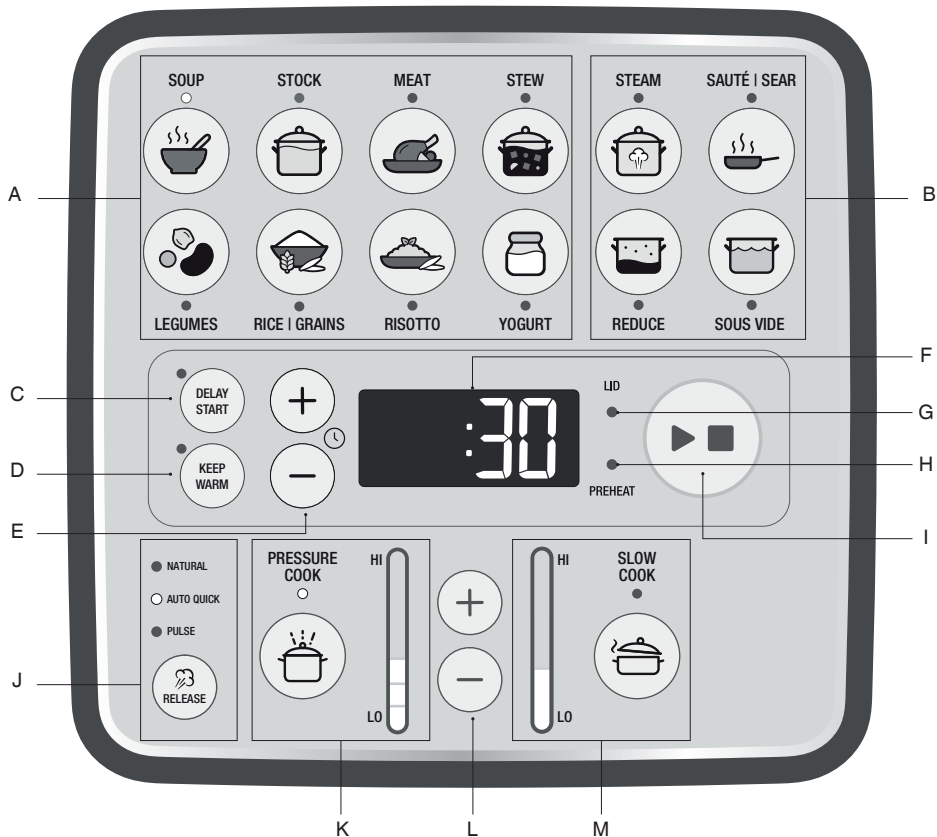


## Komponenten



- |   |  |
|---|--|
| <p><b>A.</b> Druckabgabeventil<br/>Regelt automatisch die Geschwindigkeit, mit der Dampf aus dem Kochtopf entlassen wird.</p> <p><b>B.</b> Sicherheitsventil</p> <p><b>C.</b> Spülmaschinenfester abnehmbarer Deckel</p> <p><b>D.</b> Sicherheitsverriegelungsstift<br/>Springt auf, sobald der gewünschte Druck erreicht wurde und wirkt als Sicherheitsverriegelung.</p> <p><b>E.</b> Deckeldichtung aus Silikon<br/>Leicht anzubringen und abzunehmen – für eine einfache Montage und Reinigung.</p> | <p><b>F.</b> Dichtungsmutter</p> <p><b>G.</b> Herausnehmbare 6-L-Kochschüssel</p> <p><b>H.</b> Deckelarm</p> <p><b>I.</b> Leicht zu reinigende Rinne<br/>Fängt Kondenswasser auf und ermöglicht eine mühelose Reinigung.</p> <p><b>J.</b> Auffangtasse für Kondenswasser</p> <p><b>K.</b> Edelstahl-Untersetzer<br/>Hebt Speisen zum Braten oder Dampfgaren aus der Flüssigkeit.</p> |
|---|--|

## BEDIENFELD



A. Voreinstellungen mit Anzeigelampen

B. Kochfunktionen mit Anzeigelampen

C. STARTVERZÖGERUNG

D. WARMHALTEN

E. ZEIT-Einstelltasten (+/-)

F. LED-Display

G. Deckel ver-/entriegelt-Warnanzeigelampe

H. VORHEIZEN-Anzeigelampe

I. START/ABBRECHEN-Taste

J. DAMPFABGABE-Taste mit Modusauswahl-Anzeige

K. SCHNELLKOCHEN-Taste mit Anzeigelampe und Druckstufenanzeige für den Schnellkochen-Modus

L. DRUCK/TEMPERATUR-Einstelltasten (+/-)

M. SLOW COOK-Taste mit Anzeigelampe und Temperaturanzeige für den Slow Cook-Modus

**CE** Leistungsdaten:  
220-240 V ~50-60 Hz 900-1100 W

## VOREINSTELLUNGEN

### EINSTELLUNG: SCHNELLKOCHEN

MENÜPUNKT	STANDARDEINSTELLUNG	BEREICH
<b>Suppe</b>	50 kPa – ungefähr 110 °C 30 Min. AUTO QUICK	10 kPa – 80 kPa Bis zu 2 Std.
<b>Fond</b>	80 kPa – ungefähr 116 °C 1 Std. AUTO QUICK	10 kPa – 80 kPa Bis zu 2 Std.
<b>Fleisch</b>	80 kPa – ungefähr 116 °C 1 Std. AUTO QUICK	10 kPa – 80 kPa Bis zu 2 Std.
<b>Eintopf</b>	60 kPa – ungefähr 112 °C 1 Std. AUTO QUICK	10 kPa – 80 kPa Bis zu 2 Std.
<b>Hülsenfrüchte</b>	80 kPa – ungefähr 116 °C 30 Min. NATURAL	10 kPa – 80 kPa Bis zu 2 Std.
<b>Reis   Getreide</b>	50 kPa – ungefähr 110 °C 10 Min. AUTO PULSE	10 kPa – 80 kPa Bis zu 2 Std.
<b>Risotto</b>	40 kPa – ungefähr 108 °C 7 Min. AUTO QUICK	10 kPa – 80 kPa Bis zu 2 Std.

### EINSTELLUNG: SLOW COOK

MENÜPUNKT	STANDARDEINSTELLUNG	BEREICH
<b>Suppe</b>	HOCH – 95 °C 4 Std. WARMHALTEN	Zeit: 2 – 12 Std. Temp.: Hoch – Niedrig Warmhalten: Ein/Aus
<b>Fond</b>	HOCH – 95 °C 4 Std. WARMHALTEN	Zeit: 2 – 12 Std. Temp.: Hoch – Niedrig Warmhalten: Ein/Aus
<b>Fleisch</b>	NIEDRIG – 90 °C 8 Std.	Zeit: 2 – 12 Std. Temp.: Hoch – Niedrig Warmhalten: Ein/Aus
<b>Eintopf</b>	NIEDRIG – 90 °C 8 Std.	Zeit: 2 – 12 Std. Temp.: Hoch – Niedrig Warmhalten: Ein/Aus
<b>Hülsenfrüchte</b>	HOCH – 95 °C 6 Std.	Zeit: 2 – 12 Std. Temp.: Hoch – Niedrig Warmhalten: Ein/Aus

<b>JOGHURT</b>	Phase 1	Phase 2	Phase 3	Zeit: 8-16 Std.
	Erhitzen	Kühlen*	Gären	Temp: n/a
	10 Min.	Bis zu 3 Stunden	8 Stunden	Warmhalten: n/a
	Temp.: 83 °C	Temp.: von 83 °C auf 43 °C	Temp.: 43 °C	
	WARMHALTEN AUS	WARMHALTEN AUS	WARMHALTEN AUS	

**\*Abkühldauer bei geöffnetem Deckel (für 2 Liter Milch):**

Das Senken der Temperatur von 83 °C auf 43 °C kann bis zu 1 Std. 20 Min. dauern.

Abkühldauer bei geschlossenem Deckel (für 2 Liter Milch):

Das Senken der Temperatur von 83 °C auf 43 °C kann bis zu 3 Stunden dauern.

**KOCHFUNKTIONEN**

EINSTELLUNG	ZEIT/TEMP.-VOREINSTELLUNG	BEREICH
<b>SAUTIEREN / ANBRATEN</b>	COUNT-UP-ZEIT Temp.: Hoch – (Anbraten) 168 °C Mittel – (Sautieren) 150 °C Niedrig – (Sautieren) 130 °C	Zeit: n/a Warmhalten: nur aus
<b>REDUZIEREN</b>	HOCH 10 Min. Temp.: Niedrig – 105 °C Mittel – 115 °C Hoch – 130 °C	Zeit: 1 Min. – 2 Std. Warmhalten: Ein/Aus
<b>DAMPFGAREN</b>	15 Min. Temp.: 100 °C	Zeit: 1 Min. – 1 Std. Temp.: n/a Warmhalten: nur aus
<b>SOUS-VIDE</b>	1 Std. Temp.: 57 °C	Zeit: 1 Min. – 24 Std. Temp.: 30 °C – 90 °C Warmhalten: n/a
<b>WARMHALTEN</b>	2 Std. COUNT-UP-ZEIT Temp.: 70 °C	

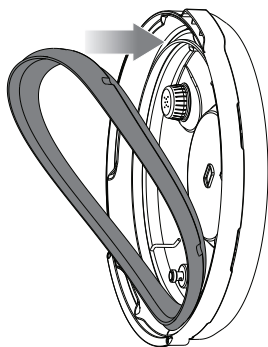




## Funktionen

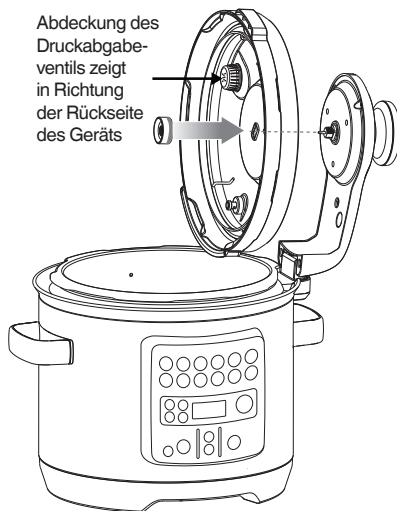
### VOR DEM ERSTEN GEBRAUCH

1. Entfernen und entsorgen Sie jegliches Verpackungsmaterial, Aufkleber und Klebeband vom Kochtopf.
2. Öffnen Sie den Kochtopf, indem Sie den Knauf des Deckels gegen den Uhrzeigersinn drehen und den Deckel anheben, bis das Scharnier vollständig geöffnet ist. Schrauben und nehmen Sie die Dichtungsmutter von der Innenseite des Deckels ab und ziehen Sie am Deckel, um ihn vom Deckelarm zu lösen.
3. Waschen Sie den Deckel, die herausnehmbare Kochschüssel und die Deckeldichtung aus Silikon in heißem Seifenwasser, spülen Sie alle Teile ab und trocknen Sie sie gründlich. Wischen Sie die Außenseite der Basis mit einem weichen, feuchten Tuch ab und trocknen Sie sie gründlich.
4. Befestigen Sie die saubere Deckeldichtung aus Silikon fest um den Drahring an der Unterseite des Deckels. Bewegen Sie die Dichtung falls nötig, damit diese gut und gleichmäßig aufsitzt.



5. Um den Deckel wieder anzubringen, richten Sie ihn so aus, dass das Gehäuse des Dampfabgabeventils nach hinten zeigt. Die Mitte des Deckels muss auf einer Linie mit der Schraube an der Unterseite des Deckelarms sein. Setzen

Sie den Deckel ein, bis das Ende der Schraube sichtbar ist. Befestigen Sie den Deckel, indem Sie die Dichtungsmutter anschrauben, bis die rote Dichtung auf dem Deckel aufsitzt.



6. Reinigen und trocknen Sie den Boden der herausnehmbaren Kochschüssel und den Temperatursensor. Keine ungewünschten Materialien sollten diese bedecken. Die herausnehmbare Kochschüssel muss für ordnungsgemäßen Kontakt flach auf dem Temperatursensor aufsitzen.
7. Lassen Sie die Auffangtasse für Kondenswasser einrasten.
8. Verbinden Sie den Gerätestecker des Netzkabels mit der Basis des Kochtopfs. Beide Teile sollten vollkommen trocken sein. Stecken Sie den Netzstecker in eine (geerdete) 230/240-Volt-Steckdose.
  - Stellen Sie die Höhe (über dem Meeresspiegel) ein. Das Gerät zeigt „Set - Alt - (Wert) - meters“ an.
  - Drücken Sie die ZEIT-Tasten (+/-), um Ihre gegenwärtige Höhenlage so genau wie möglich einzustellen (zwischen 0 und 2.000 Höhenmeter).
  - Bestätigen Sie Ihre Auswahl mit der START-Taste.

9. Daraufhin gibt der Kochtopf einen Signalton ab und das LCD-Display wird beleuchtet.
10. Wir empfehlen das Durchführen eines 15-minütigen Kochvorgangs mit Wasser, um mögliche Schutzstoffe in der Kochschüssel und am Heizelement zu entfernen.



## HINWEIS

Der Schnellkochtopf darf nicht in Höhenlagen von über 2.000 Metern verwendet werden. In höheren Lagen müssen Gerichte für beste Ergebnisse länger gekocht werden. Verlängern Sie Ihre Garzeit nach Bedarf, um Ihr gewünschtes Gar Ergebnis zu erzielen.



## WARNUNG

Verwenden Sie nur die für dieses Gerät vorgesehene Kochschüssel. Andere Behälter führen zu Problemen, die nicht behoben werden können.

## EINSTELLUNGEN AM BEDIENFELD

Der Fast Slow GO™ verfügt über sechs Kochfunktionen: Schnellkochen, Slow Cook, Reduzieren, Sautieren/Anbraten, Dampfgaren und Sous-Vide. Außerdem verfügt er über acht Voreinstellungen: Suppe, Fond, Fleisch, Eintopf, Hülsenfrüchte, Reis/Getreide, Risotto und Joghurt.

## VOREINSTELLUNGEN

Das Bedienfeld zeigt die acht verfügbaren Voreinstellungen für eine einfache Programmauswahl an.

Durch Drücken einer der acht Voreinstellungen wählen Sie die Standardeinstellung, mit der Sie für dieses Lebensmittel die besten Ergebnisse erzielen. Dazu gehört auch das Wechseln wischen den Modi SCHNELLKUCHEN und SLOW COOK.

Abhängig vom Kochmodus werden durch das Drücken der Voreinstellungstasten die DRUCK- und TEMPERATUR-Stufe, die Kochzeit und der Dampfabgabemodus

angepasst und die WARMHALTEN-Funktion (de)aktiviert.

Die Kochzeit sowie die Funktionen WARMHALTEN und STARTVERZÖGERUNG können in den jeweiligen Voreinstellungen angepasst werden. Bei Änderungen an der Druck- bzw. Temperaturstufe und der Dampfabgabeeinstellung (abhängig vom gewählten Modus) wechselt das Gerät allerdings in den benutzerdefinierten Modus.



Die folgende Tabelle zeigt, welche der Lebensmittel durch Drücken der SCHNELLKUCHEN oder SLOW COOK-Taste zubereitet werden können.

LEBENSMITTEL	SCHNELLKUCHEN	SLOW COOK
Suppe	✓	✓
Fond	✓	✓
Fleisch	✓	✓
Eintopf	✓	✓
Hülsenfrüchte	✓	✓
Reis/Getreide	✓	✗
Risotto	✓	✗
Joghurt	✗	✓

## AUSWAHL DER EINFACHEN VOREINSTELLUNG

z. B.

### SUPPE

- Drücken Sie die SUPPE-Taste  auf dem Bedienfeld.
- Das Bedienfeld schlägt automatisch (und falls relevant) eine SCHNELLKUCHEN-Funktion vor. Drücken Sie die SLOW COOK-Taste , um eine SLOW COOK-Funktion auszuwählen.
- Das Display zeigt automatisch die korrekte Kochzeit und die nötige Druckstufe für Suppen an.
- Die Kochzeit kann durch Drücken der +/--Tasten geändert werden.
- Fügen Sie alle Zutaten hinzu drücken Sie die START-Taste, um den Kochvorgang zu beginnen.



## TIPP

Falls gewünscht können Sie Gemüse sautieren oder Fleisch anbraten, indem Sie die SAUTIEREN/ANBRATEN-Funktion vor Beginn des Kochvorgangs auswählen. Drücken Sie die STOP-Taste, um die SAUTIEREN/ANBRATEN-Funktion anzuhalten und die nächste Kochfunktion auszuwählen.




## HINWEIS

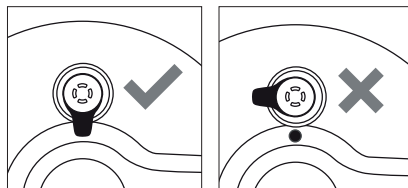
- Sollten Sie die Schnellkochmethode zum ersten Mal nutzen, kann die Dampfabgabe überwältigend sein. Dampf tritt in großen kraftvollen Schwaden aus. Halten Sie daher stets Abstand zum Druckabgabeventil (Eine Beschreibung und Warnhinweise zu den variablen Dampfabgabe-Einstellungen finden Sie auf Seite 19).
- Empfehlungen zu den vorprogrammierten Einstellungen finden Sie in den Abschnitten „Voreinstellungen“ und „Kochfunktionen“.
- Leuchtet keine der Anzeigelampen unter den Voreinstellungen, befindet sich das Gerät im manuellen Modus. Drücken Sie eine beliebige Voreinstellungstaste, um zur Standardeinstellung zurückzukehren.
- Die Schnellauswahlprogramme benutzen vorprogrammierte Dampfabgabefunktionen, um die besten Ergebnisse zu erzielen. Änderungen am Dampfabgabemodus können zum Überkochen von Speisen führen.

## MANUELLER SCHNELLKOCHEN-MODUS

Schnellkochen ist eine Kochmethode, bei der Lebensmittel mit etwas Flüssigkeit unter einem abgedichteten Deckel, der den Dampf im Inneren des Geräts hält und Druck aufbaut, zubereitet werden. Durch den Druckanstieg wird die Temperatur der Flüssigkeit und des Dampfes im Inneren weit über den Siedepunkt angehoben. Speisen können so um bis zu 70 % schneller gegart werden. Dadurch wird weniger Energie konsumiert und sie sparen sowohl

Zeit als auch Geld. Für das Schnellkochen von Lebensmitteln ist weniger Flüssigkeit nötig. Vitamine sowie Mineral- und andere Nährstoffe bleiben dadurch erhalten und natürliche Aromen kommen stärker zum Tragen.

1. Um den manuellen Schnellkochen-Modus zu wählen, halten Sie die SCHNELLKOCHEN-Taste  2 Sekunden lang gedrückt.
2. Passen Sie den Kochdruck durch Drücken der DRUCK/TEMPERATUR-Tasten (+/-) an. Der Druck kann von 10 kPa (NIEDRIG) auf 80 kPa (HOCH) angepasst werden.
3. Die Zahl auf dem LCD-Display zeigt die voreingestellte Kochzeit für die gewählte Einstellung an. Drücken Sie die ZEIT-Tasten (+/-) (neben dem 4-Zeichen-Display), um die Kochzeit zu senken bzw. zu erhöhen. Die Kochzeit kann um bis zu 2 Stunden verkürzt oder verlängert werden.
4. Drücken Sie die DAMPFABGABE-Taste, um zwischen den Dampfabgabefunktionen AUTO QUICK, NATURAL und PULSE zu wählen.
5. Platzieren Sie mindestens 1 L Lebensmittel und/oder Flüssigkeit in der herausnehmbaren Kochschüssel.
6. Schließen Sie den Deckel und drehen Sie den Knauf im Uhrzeigersinn, um den Deckel einzurasten. Der Kochtopf gibt einen Signalton ab, wenn der Deckel eingerastet ist.
7. Das Druckabgabeventil auf dem Deckel sollte geschlossen sein.



8. Drücken Sie die START-Taste, um den Kochvorgang zu beginnen. Die START/ABBRECHEN-Taste wird Orange

beleuchtet und die VORHEIZEN-Anzeigelampe leuchtet auf.



## HINWEIS

Es ist normal, wenn der Kochtopf kleine Mengen an Dampf abgibt, während er sich stabilisiert.

9. Wurde der Deckel nicht korrekt verriegelt, leuchtet die DECKEL-Anzeigelampe auf, das Gerät gibt einen Signalton ab und der Kochvorgang wird unterbrochen, bis der Deckel korrekt angebracht wird. Drehen Sie den Deckel am Knauf im Uhrzeigersinn, um ihn zu entriegeln und den Kochvorgang zu beginnen.
10. Sobald der Kochtopf den gewünschten Druck erreicht hat, erlischt die VORHEIZEN-Anzeigelampe, das Gerät gibt einen Signalton ab und der Timer beginnt herabzuzählen.
11. Die Zeit kann während des Schnellkochen-Zyklus durch Drücken auf die ZEIT-Tasten (+/-) angepasst werden. Sie können den Zyklus jederzeit anhalten, indem Sie die START/ABBRECHEN-Taste drücken. Halten Sie die START/ABBRECHEN-Taste 2 Sekunden lang gedrückt, um den Vorgang zu beenden. Sollte sich im Inneren des Gerätes bereits Druck aufgebaut haben, beginnt es automatisch mit einem Dampfabgabezyklus.
12. Am Ende jedes Schnellkochen-Zyklus gibt der Kochtopf einen Signalton ab und Dampf wird automatisch über das Druckabgabeventil abgegeben. Die DAMPF-Schaltfläche beginnt zu blinken und der Timer zu zählen.
13. Falls die Dampfabgabe-Einstellung NATURAL gewählt wurde, fällt der Dampf im Inneren des Gerätes langsam ab und wird nicht durch das Druckabgabeventil gedrückt. Die Dampf-abgabe-Einstellung kann während des Dampf-abgabe-Vorgangs durch Drücken der DAMPFABGABE-Taste geändert werden.

14. Am Ende des Dampf-abgabe-Zyklus gibt der Kochtopf einen Signalton ab, das Display leuchtet auf und der Timer beginnt zu zählen, falls die WARMHALTEN-Funktion gewählt wurde.

15. Öffnen Sie den Kochtopf, indem Sie den Knauf des Deckels gegen den Uhrzeigersinn drehen und den Deckel vorsichtig anheben, bis das Scharnier vollständig geöffnet ist.
16. Nach 5 Minuten Inaktivität verfällt das Gerät in den Ruhezustand. Das LED-Display wird nicht länger beleuchtet.



## VORSICHT

Um Verbrühungen durch austretenden Dampf zu vermeiden, halten Sie Ihr Gesicht und Ihre Hände niemals über den Kochtopf, wenn Sie den Deckel abnehmen.



## WARNUNG

Lässt sich der Deckel nicht entriegeln, bedeutet das, dass das Gerät noch unter Druck steht. Öffnen Sie den Deckel nicht mit Gewalt. Der verbleibende Druck kann zu Verletzungen führen.

Drücken und halten Sie die DAMPFABGABE-Taste, um den Dampf manuell abzulassen.

## SCHNELLKOCH-TABELLE

Diese Tabelle zeigt die ungefähre Temperatur für jede kPa-Stufe:

Druckstufe (kPa)	Temperatur (°C)
10	102
20	104
30	106
40	108
50	110
60	112
70	114
80	116

## AUTOMATISCHE VARIABLE DAMPFABGABE

Der Fast Slow GO™ verfügt über drei Dampfabgabemethoden:

### Auto Quick

Druck wird schnell freigesetzt, damit Lebensmittel und Rezepte mit kurzen Kochzeiten nicht verkochen.

Dies wird nur für Lebensmittel empfohlen, die sich beim Kochen nicht ausdehnen und keinen Schaum erzeugen.

### Pulse

Druck wird in Stößen freigesetzt, um Lebensmittel weniger zu beeinträchtigen.

Dies wird für Lebensmittel empfohlen, die beim Kochen wenig bis gar keinen Schaum erzeugen.

### Natural


Druck sinkt langsam im Inneren des Gerätes, ohne Dampf durch das Ventil abzulassen. Empfindliche Zutaten wie Fonds und Bohnen werden so durch den Druckabfall nicht aufgewühlt und zerfallen nicht.

Der Druckabgabemodus „Natural“ ist für alle Arten von Rezepten geeignet.



## HINWEIS

Für einige Lebensmittel (z. B. Hülsenfrüchte), die bekannterweise viel Schaum erzeugen, kann nur der Druckabgabemodus „Natural“ verwendet werden. Dadurch wird ein Überkochen verhindert.

Diese Einstellungen können durch Drücken der DAMPFABGABE-Taste  auf dem Bedienfeld während des Vorbereitungs- sowie Dampfabgabe-Zyklus ausgewählt werden. Nach Auswählen einer Einstellung wird Dampf am Ende des Schnellkochen-Zyklus automatisch über das Druckabgabeventil abgelassen.

Das Druckabgabeventil kann durch Drücken und Halten der DAMPFABGABE-Taste während des bzw. nach dem Kochvorgang geöffnet werden.



## HINWEIS

Die Schnellauswahlprogramme benutzen vorprogrammierte Dampfabgabefunktionen, um die besten Ergebnisse zu erzielen. Änderungen am Dampfabgabemodus können zum Überkochen von Speisen führen.




## VORSICHT

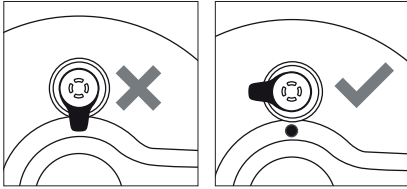
Halten Sie Ihre Hände und Ihr Gesicht während eines Schnellkochvorgangs stets vom Druckabgabeventil fern. Während des Vorgangs können Dampf und heißes Wasser austreten.

## MANUELLER SLOW COOK-MODUS

Die SLOW COOK-Einstellung ist für lange Kochzeiten bei niedrigen Temperaturen ausgelegt. Sie eignet sich außerdem wunderbar, um zähe Fleischteile zu zerkleinern und intensive Aromen hervorzubringen.

1. Wählen Sie die SLOW COOK-Taste  auf dem Bedienfeld.
2. Auf dem LED-Display wird die voreingestellte Temperatur für das ausgewählte Lebensmittel angezeigt. Sie können allerdings die DRUCK/TEMPERATUR-Tasten (+/-) drücken, um die Temperatur zu senken bzw. zu erhöhen. Die Temperatur kann auf zwei Voreinstellungen angepasst werden: HOCH – NIEDRIG.
3. Auf dem LED-Display wird die voreingestellte Kochzeit für das ausgewählte Lebensmittel angezeigt. Sie können die Kochzeit allerdings über die ZEIT-Tasten (+/-) senken bzw. erhöhen. Die Zeit kann um 2 bis zu 12 Stunden erhöht bzw. gesenkt werden.
4. Die WARMHALTEN-Anzeige leuchtet nach dem SLOW COOK-Zyklus automatisch auf. Drücken Sie die WARMHALTEN-Taste auf dem Bedienfeld, um die Funktion zu (de)aktivieren.
5. Platzieren Sie mindestens 1 L Lebensmittel und/oder Flüssigkeit in der herausnehmbaren Kochschüssel.

6. Schließen und verriegeln Sie den Deckel.
7. Drehen Sie das Druckabgabeventil in die offene Position.



8. Drücken Sie die START-Taste, um den Kochvorgang zu beginnen. Die START/ABBRECHEN-Taste wird Orange beleuchtet.
9. Der Timer wird angezeigt und beginnt einen automatischen Countdown. Die Zeit kann während des Slow Cook-Vorgangs durch Drücken auf die ZEIT-Tasten (+/-) angepasst werden. Sie können den Zyklus jederzeit anhalten, indem Sie die START/ABBRECHEN-Taste drücken. Kocheinstellungen können zu diesem Zeitpunkt angepasst werden. Drücken Sie die START/ABBRECHEN-Taste erneut, um den Kochvorgang mit den neuen Einstellungen fortzusetzen.



## HINWEIS

Drücken Sie die DAMPFABGABE-Taste, um während einer Unterbrechung Dampf abzulassen. Während des SLOW COOK-Vorgangs kann sich Druck ansammeln, durch den der Deckel möglicherweise schwer zu öffnen ist. Sollte dies der Fall sein, drücken Sie die DAMPFABGABE-Taste, bis der komplette Innendruck abgelassen wurde und der Kochtopf sich öffnen lässt.

10. Der Kochtopf geht automatisch in den Warmhalten-Zustand über, sobald der Slow Cook-Zyklus abgeschlossen ist. Die WARMHALTEN-Anzeige leuchtet auf, der Timer beginnt zu zählen (bis zu sechs Stunden lang). Sie können den Warmhalten-Zyklus jederzeit anhalten, indem Sie die START/ABBRECHEN-Taste drücken.

11. Wurde Die WARMHALTEN-Funktion nicht ausgewählt, ertönt ein Signalton, und die orangefarbene Beleuchtung der START/ABBRECHEN-Taste erlischt.
12. Nach 5 Minuten Inaktivität verfällt das Gerät in den Ruhezustand und die Anzeigen werden nicht länger beleuchtet.

## TIPPS ZUM SCHNELLKOCHEN UND SCHONGAREN

### Suppe

- Die Funktionen SCHNELLKOCHEN und SLOW COOK der SUPPE-Einstellung eignen sich für eine Reihe an Suppen – von leichten Brühen über herzhaftes Minestrone bis hin zu pürierten Gemüsesuppen.
- Wählen Sie die SAUTIEREN/ANBRATEN-Einstellung, um Fleisch vor dem Kochen zu bräunen und Würzstoffe abzumildern.
- Sie können, um die Dauer des Schnellkochvorgangs zu verkürzen, während des SAUTIEREN/ANBRATEN-Schritts kaltes Wasser/Fond in die Kochschüssel gießen. Bringen Sie das Wasser zum Köcheln, bevor Sie mit dem Schnellkochen beginnen.
- Überfüllen Sie die Kochschüssel nicht. Das Gesamtvolumen der Suppe sollte die MAX-Linie an der Innenseite der herausnehmbaren Kochschüssel nicht überschreiten.

### Fond

- Die Funktionen SCHNELLKOCHEN und SLOW COOK der FOND-Einstellung eignen sich für eine Reihe an Fonds wie Hühner-, Rinder- und Gemüsefonds.
- Um einen braunen Fond herzustellen, bräunen Sie Knochen und das Gemüse mit der SAUTIEREN/ANBRATEN-Einstellung, bevor Sie die Zutaten schnellkochen oder schongaren.
- Schneiden Sie Gemüse wie Zwiebel, Karotten und Sellerie in grobe Stücke. Dadurch bleibt der Fond klarer und kann nach dem Kochen einfacher geklärt werden.

- Sie können, um die Dauer des Schnellkochvorgangs zu verkürzen, während des SAUTIEREN/ANBRATEN-Schritts kaltes Wasser in die Kochschüssel gießen. Bringen Sie das Wasser zum Köcheln, bevor Sie mit dem Schnellkochen beginnen.
- Überfüllen Sie die Kochschüssel nicht. Das Gesamtvolumen von Wasser, Knochen und/oder Würzstoffen sollte die MAX-Linie an der Innenseite der herausnehmbaren Kochschüssel nicht überschreiten.

## Fleisch

- Die Funktionen SCHNELLKOCHEN und SLOW COOK der FLEISCH-Einstellung verwenden hohe Temperatur-/Druckwerte, um Bindegewebe aufzulösen und sorgen so für zart saftige Ergebnisse. Saucen werden dickflüssig und schmackhaft.
- Den besten Geschmack und die beste Textur erzielen Sie mit gleichmäßig marmorierten Fleischstücken.
- Schneiden Sie große Fleischstücke in 2 oder 3 kleinere Teile, um Sie besser in der Kochschüssel platzieren zu können.
- Wählen Sie die SAUTIEREN/ANBRATEN-Einstellung, um Fleisch vor dem Kochen portionsweise zu bräunen.
- Anders als beim klassischen Dünsten oder Schmoren tritt beim Schnellkochen und Schongaren kaum Dampf aus. Um besonders schmackhafte Ergebnisse zu erzielen, verwenden Sie weniger Flüssigkeit als in klassischen Rezepten angegeben – maximal 1-1½ Tassen (250-375 ml).
- Überfüllen Sie die Kochschüssel nicht. Das Gesamtvolumen der rohen Zutaten sollte die MAX-Linie an der Innenseite der herausnehmbaren Kochschüssel nicht überschreiten.

## Eintopf

- Die Funktionen SCHNELLKOCHEN und SLOW COOK der EINTOPF-Einstellung eignen sich für Hackfleisch, Fleischsaucen und herzhaftes Eintöpfe.

- Wählen Sie die SAUTIEREN/ANBRATEN-Einstellung, um Fleisch vor dem Kochen zu bräunen und Würzstoffe abzumildern.
- Anders als bei klassischen Kochmethoden auf der Herdplatte tritt beim Schnellkochen und Schongaren kaum Dampf aus. Um dickflüssige, herzhaftes Chilis und Eintöpfe zu erzielen, verwenden Sie weniger Flüssigkeit als in klassischen Rezepten angegeben. Wählen Sie nach dem Kochen die REDUZIEREN-Einstellung, um Gerichte mit zu viel Flüssigkeit einzudicken.
- Überfüllen Sie die Kochschüssel nicht. Das Gesamtvolumen der Eintopfzutaten sollte die MAX-Linie an der Innenseite der herausnehmbaren Kochschüssel nicht überschreiten.

## Hülsenfrüchte

- Die Funktionen SCHNELLKOCHEN und SLOW COOK der HÜLSENFRÜCHTE-Einstellung eignen sich für die Zubereitung verschiedener Hülsenfrüchte, Linsen und Trockenbohnen.
- Hülsenfrüchte und andere Bohnen können beim Kochen eine Menge Schaum erzeugen. Die Dampfabgabe-Einstellung NATURAL sorgt dafür, dass kein Schaum das Druckabgabeventil blockiert.
- Kochzeiten wurden für nicht aufgeweichte Trockenbohnen berechnet. Weichen Sie Bohnen über Nacht in kaltem Wasser ein, um die Kochzeit zu verkürzen. Gießen Sie das zum Aufweichen der Bohnen verwendete Wasser ab und kochen Sie die Bohnen mit frischem, kaltem Wasser für die Hälfte der voreingestellten Zeit.
- Verwenden Sie ein Verhältnis von 1 Teil Bohnen zu 3 Teilen Wasser.
- Bohnen und Hülsenfrüchte schwellen während des Kochens an und verdoppeln ihre Größe. Überfüllen Sie die Kochschüssel nicht. Das Gesamtvolumen von rohen Hülsenfrüchten und Wasser sollte die ½-Linie an der Innenseite der herausnehmbaren Kochschüssel nicht überschreiten.

## Reis | Getreide

- Die Funktion SCHNELLKOCHEN der REIS-Einstellung wurde konzipiert, um Reis und Getreide so zuzubereiten, dass die Körner voneinander getrennt bleiben und zart werden. Jegliche Art von Reis (Langkorn-, Jasmin-, Basmati- oder brauner Reis) kann damit ideal zubereitet werden.
- Wenn Sie Reis schnellkochen, muss die Kochzeit um 20 Minuten erhöht werden.
- Messen oder wiegen Sie trockenen Reis genau ab und waschen Sie ihn in einem Sieb unter kaltem Wasser, bis dieses klar durchläuft. Lassen Sie den Reis gut abtropfen und platzieren Sie ihn in der herausnehmbaren Kochschüssel.
- Geben Sie die entsprechende Wassermenge hinzu. Genaue Informationen erhalten Sie in unserer Kochtabelle für Reis/Getreide und Hülsenfrüchte. Diese ist auf der Sage-Website verfügbar.
- Der gekochte Reis sollte etwa 5 Minuten in der Schüssel ruhen, bevor Sie ihn umrühren und servieren.
- Reis verdoppelt bzw. verdreifacht seine Größe während des Kochvorgangs. Überfüllen Sie die Kochschüssel nicht. Das Gesamtvolumen von Reis und Flüssigkeit sollte die ½-Linie an der Innenseite der herausnehmbaren Kochschüssel nicht überschreiten.

### Risotto

- Die Funktion SCHNELLKOCHEN der RISOTTO-Einstellung eignet sich ideal, um cremige Risottos im Bruchteil der Zeit zuzubereiten, und zwar ohne Rühren.
- Wählen Sie die SAUTIEREN/ANBRATEN-Einstellung, um Zwiebel und andere Würzstoffe einzuweichen und das Gericht mit Wein abzulöschen.
- Der Schlüssel zu cremigem Risotto ist es, die Reiskörner anzurösten, bevor Sie Flüssigkeit hinzufügen. Wählen Sie die SAUTIEREN/ANBRATEN-Einstellung, um Reis unter konstantem Rühren für 3-5 Minuten, oder bis die Enden erst

transparent und dann weiß werden, anzurösten.

- Da beim Schnellkochen kaum Dampf austritt, muss das Verhältnis von 1 Teil Reis zu 3 Teilen Fond genau eingehalten werden. Verwenden Sie ein Drittel weniger Fond, falls Sie ein Risotto mit viel Gemüse zubereiten.
- Reis verdoppelt bzw. verdreifacht seine Größe während des Kochvorgangs. Überfüllen Sie die Kochschüssel nicht. Das Gesamtvolumen von Reis und Fond sollte die ½-Linie an der Innenseite der herausnehmbaren Kochschüssel nicht überschreiten.

## ANDERE VOREINSTELLUNGEN:

### SAUTIEREN/ANBRATEN

Diese Voreinstellung verfügt über drei Stufen: Sautieren bei niedriger Temperatur, Sautieren bei mittelhoher Temperatur und Anbraten.

Die Temperatur-Anzeigelampe neben der SLOW COOK-Taste zeigt die Temperaturstufe an (*Siehe Buchstabe M. der Bedienfeld-Abbildung auf Seite 12*).

Die SAUTIEREN-Einstellung eignet sich wunderbar, um karamellisierten Knoblauch, Zwiebel und anderes Gemüse vor dem Schnellkochen oder Schongaren zu erweichen. Die SAUTIEREN-Einstellung entspricht den Temperaturstufen MITTEL und NIEDRIG Ihres Gerätes.

Die ANBRATEN-Einstellung wurde entwickelt, um die Aromen von Speisen zu verstärken. Dafür werden Lebensmittel vor dem Schnellkochen oder Schongaren in derselben Kochschüssel karamellisiert und gebräunt. Die ANBRATEN-Einstellung entspricht der Temperaturstufe HOCH Ihres Gerätes.

### REDUZIEREN

Diese Voreinstellung verfügt über drei Stufen: niedrig, mittel und hoch.

Die Temperatur-Anzeigelampe neben der SLOW COOK-Taste zeigt die Temperaturstufe an (*Siehe Buchstabe M. der Bedienfeld-Abbildung auf Seite 12*).

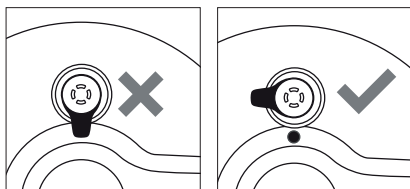


Die REDUZIEREN-Funktion eignet sich wunderbar, um Saucen, Sirupe sowie Fonds einzudicken und Aromen zu verstärken.

### DAMPFGAREN

Die DAMPFGAREN-Einstellung eignet sich wunderbar, um Gemüse, Fischfilets und Knödel dampfzugaren. Falls Sie Speisen für mehr als 30 Minuten dampfgaren, empfehlen wir, alle 30 Minuten 1 Tasse (250 ml) warmes Wasser in die Kochschüssel hinzuzufügen, um einen gleichmäßigen Dampfzorgang zu gewährleisten.

Wir empfehlen, das Druckabgabeventil zu öffnen, damit sich an der Außenseite des Deckels und am Griff kein Kondenswasser bildet.



### SOUS-VIDE

Die SOUS-VIDE-Einstellung eignet sich wunderbar, um Speisen bei exakten Temperaturen in einem Wasserbad zuzubereiten.

### Was ist Sous-Vide-Kochen?

Sous-Vide-Kochen ist eine Kochmethode, bei der Sie Lebensmittel durch Erhitzen von Wasser auf eine voreingestellte Temperatur nach Ihrem Geschmack zubereiten. Die Lebensmittel werden in einen hitzebeständigen, BPA-lebensmittelechten Plastikbeutel platziert, in Wasser gelegt und nach Ihrem Geschmack zubereitet. Es besteht kein Risiko, dass die Speisen verkochen oder austrocknen.

### Welches Zubehör benötige ich, um Speisen mit der Sous-Vide-Funktion zuzubereiten?

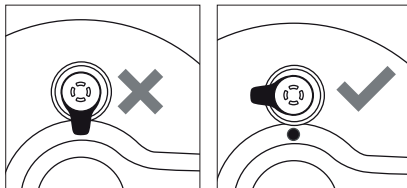
Dicke, hitzebeständige und BPA-lebensmittelechte Plastikbeutel. Verschließbare Plastikbeutel können ebenfalls verwendet werden, solange die Kochtemperatur 70 °C nicht übersteigt.

### Muss ich den Beutel vakuumversiegeln?

Zur Verwendung der SOUS-VIDE-Funktion müssen Beutel nicht vakuumversiegelt werden, jedoch muss so viel Luft wie möglich aus dem Beutel abgelassen werden und Wasser darf nicht in den Beutel eindringen, da dies das Ergebnis beeinflusst. Um die Wasserverdrängungsmethode zu nutzen, platzieren Sie das Lebensmittel in einem verschließbaren Beutel mit doppeltem Siegel und senken Sie den Beutel in einen mit Wasser gefüllten Behälter. Verschließen Sie den Beutel vorsichtig (die Öffnung sollte sich knapp über der Wasseroberfläche befinden), sobald der Großteil der Luft aus dem Beutel entwichen ist.

### Soll der Deckel offen bleiben oder geschlossen werden?

Wir empfehlen, den Deckel für die SOUS-VIDE-Funktion zu schließen und zu verriegeln, das Druckabgabeventil jedoch zu öffnen, damit die Kochtemperatur konstant bleibt.



### Wann sollen Lebensmittel angebraten werden?

Sie können Zutaten mit der SAUTIEREN/ANBRATEN-Funktion vor oder nach dem Kochvorgang anbraten. Wenn Sie die Zutaten vor Verwendung der SOUS-VIDE-Funktion anbraten, lassen diese über Nacht im Kühlschrank ruhen.

### So verwenden Sie die SOUS-VIDE-Funktion:

1. Füllen Sie die Kochschüssel bis zur MAX-Linie mit kaltem Wasser. Sie können die Aufheizzeit reduzieren, indem Sie Wasser verwenden, das die von Ihnen gewünschte Zieltemperatur fast erreicht hat.
2. Drücken Sie die SOUS-VIDE-Taste und stellen Sie die gewünschte Temperatur

und Zeit ein. Schließen Sie den Deckel und drücken Sie die START-Taste, um das Wasser zu erwärmen.

- Platzieren Sie die Zutat(en) in einem Sous-Vide-Beutel oder einem verschließbaren Beutel. Falls Sie keinen speziellen Sous-Vide-Beutel besitzen, empfehlen wir, einen verschließbaren Beutel mit doppeltem Siegel zu verwenden. Fügen Sie Würzstoffe wie Lorbeerblätter, Rosmarin, Zitronenscheiben oder -zeste und Öl nach Wunsch hinzu.
- Sobald das Wasser die gewünschte Temperatur erreicht hat (das Gerät gibt einen Signalton ab), platzieren Sie den Beutel im Wasser. Sollte der Beutel schwimmen, platzieren Sie den umgedrehten Edelstahl-Untersetzer auf dem Beutel, bis der Beutel vollständig untergetaucht ist.
- Verschließen und verriegeln Sie den Deckel. Stellen Sie jedoch sicher, dass das Druckabgabeventil geöffnet ist.
- Entnehmen Sie den Beutel nach Ablauf der Kochzeit aus dem Wasserbad.

#### Temperatur und Zeit:

- RINDERFILET (2,5 cm dick) – Medium Rare – 54 °C für 1 Stunde
- HÜHNERFILET (2,5 cm dick) – Zart – 65 °C für 45 Minuten
- LACHSFILET (2,5 cm dick) – Mittel – 50 °C für 40 Minuten
- EIER (pochierte Eier) – 64 °C für 1 Stunde

## JOGHURT

### So verwenden Sie das automatische Programm der Joghurt-Voreinstellung

#### Naturjoghurt

Vorbereitungszeit: 10 Minuten/Gären:

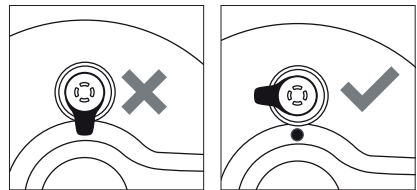
8 Stunden (plus 1 Stunde 30 Minuten Kühlen)

1 Liter homogenisierte Vollmilch

2 Esslöffel Vollrahm-Naturjoghurt mit lebenden und aktiven Kulturen

#### SCHRITT 1 – Milch erhitzen

Setzen Sie die Kochschüssel in den Fast Slow GO™ ein, füllen Sie Milch ein, schließen Sie den Deckel und öffnen Sie das Druckabgabeventil.



Drücken Sie erst die JOGHURT- und dann die START-Taste. Die Milch wird nun für 10 Minuten auf 83 °C erhitzt.

Durch den Pasteurisierungsvorgang werden schädliche Bakterien, die die Milch verderben können, sowie potentielle Konkurrenten der aktiven Joghurtkulturen, abgetötet.

#### SCHRITT 2 – Milch kühlen

Öffnen Sie den Deckel und drücken Sie auf keine andere Tasten. Während der Kühlphase wird die Milch automatisch auf 43 °C herabgekühlt. Dieser Vorgang sorgt dafür, dass das Gerät die optimale Temperatur erreicht, bei der die Joghurt-Starterkulturen zu wachsen beginnen. Ist die Temperatur zu hoch, könnten die Joghurtkulturen absterben. Zuerst erscheint das Wort „COOL“ auf dem Display des Kochtopfs. Nach Ende der Kühlphase (ungefähr 1 Stunde 30 Minuten) gibt der Kochtopf einen Signalton ab, sobald er die korrekte Temperatur erreicht hat.

**TIPP**

Wird die Milch bei geöffnetem Deckel abgekühlt, kann sich auf der Oberfläche eine Haut bilden. Entfernen Sie diese Haut, bevor Sie die Starterkulturen hinzufügen, damit der Joghurt eine cremigere Textur bildet.

**SCHRITT 3 – Joghurt gären**

Nach Ablauf der Kühlphase aus SCHRITT 2 erscheint das Wort ADD auf dem Display des Kochtopfs. Füllen Sie nun die Joghurt-Starterkulturen zusammen mit ½ Tasse (125 ml) kalter Milch in eine Schüssel und rühren Sie die Mischung glatt. Rühren Sie die Milchemischung danach in die abgekühlte Milch in der Kochschüssel. Schließen und verriegeln Sie den Deckel. Drücken Sie die START-Taste, um den fünf- bis achtstündigen Gärungsprozess zu beginnen. Je länger der Joghurt gärt, umso herber wird der Geschmack.

**SCHRITT 4 – Kalt stellen**

Sobald der Kochtopf signalisiert, dass der Gärvorgang abgeschlossen ist (mit einem Signalton), entnehmen Sie die Kochschüssel, decken Sie diese mit Klarsichtfolie zu und stellen Sie sie in den Kühlschrank. Sobald der Joghurt vollständig abgekühlt ist, füllen Sie ihn in einen luftdichten Behälter. Der Joghurt kann bis zu zwei Wochen im Kühlschrank aufbewahrt werden.

**TIPPS**

- Verwenden Sie homogenisierte Milch, um einen glatteren Joghurt herzustellen. Sollten sich Klumpen bilden und die Konsistenz nicht gleichmäßig sein, rühren Sie den kalten Joghurt vorsichtig um.
- Setzen Sie die Kochschüssel in eine größere Schüssel mit Eiswasser, um erhitzte Milch schneller abzukühlen. Überprüfen Sie die Temperatur mit einem Thermometer. Sobald die Milch 43 °C erreicht hat, mischen Sie ½ Tasse (125 ml) der kalten

Milch mit den Joghurtstarter-Kulturen und rühren Sie die Mischung glatt, bevor Sie sie in die Milch einrühren. Wischen Sie den Topfboden trocken und setzen Sie den Topf erneut in den Schnellkochtopf ein.

- Lassen Sie den Joghurt länger gären, um einen herberen Geschmack zu erzielen.

**WARMHALTEN**

Die WARMHALTEN-Funktion sorgt dafür, dass Speisen nach Ablauf des Kochzyklus für bis zu sechs Stunden eine konstante Serviertemperatur von 60 °C oder mehr beibehalten. Wird die WARMHALTEN-Funktion allein verwendet, kann diese bis zu 24 Stunden genutzt werden.

- Um lediglich die WARMHALTEN-Funktion zu verwenden, schließen Sie den Deckel, drücken und halten Sie die WARMHALTEN-Taste auf dem Bedienfeld.
- DIE WARMHALTEN-Funktion kann sowohl im SCHNELLKOCHEN- als auch im SLOW COOK-Modus durch Drücken auf die WARMHALTEN-Taste ein- und ausgeschaltet werden. Die WARMHALTEN-Anzeigelampe leuchtet auf und der Timer beginnt zu zählen (für maximal 6 Stunden nach Ende eines Kochzyklus).

**HINWEIS**

Um die Qualität der Speisen zu erhalten, sollte die WARMHALTEN-Funktion nicht länger als 1-2 Stunden verwendet werden.

**STARTVERZÖGERUNG**

Der Fast Slow GO™ verfügt über eine Timer-Funktion, durch die der Beginn des Kochvorgangs um bis zu 24 Stunden verzögert werden kann. Diese Timer-Funktion ist nicht für die WARMHALTEN- und DAMPFGAREN-Funktionen verfügbar.

Die STARTVERZÖGERUNG-Funktion wurde für die Voreinstellung FLEISCH deaktiviert.



## VORSICHT

Fleisch, Geflügel, Meeressfrüchte, Eier oder andere Produkte, die kaltgestellt werden müssen, dürfen nie länger als zwei Stunden bei Raumtemperatur aufbewahrt werden. Bakterien vervielfachen sich schnell bei warmen Temperaturen (4 °C bis 60 °C).

In den folgenden Schritten wird erklärt, wie Sie die Startverzögerung einstellen können:

- Stellen Sie die Kochdauer, sowie die gewünschte Temperatur-/Druckstufe ein.
- Drücken Sie die STARTVERZÖGERUNG-Taste, um die STARTVERZÖGERUNG-Funktion zu aktivieren.
- Auf dem Display wird die Zeit zur Startverzögerung in Stunden und Minuten angezeigt.
- Stellen Sie die Startverzögerung mit den ZEIT-Tasten (+/-) ein (in 15-Minuten-Schritten für bis zu 24 Stunden).
- Drücken Sie die STARTVERZÖGERUNG-Taste erneut, um das Menü zu verlassen, ohne die Einstellungen zu speichern.
- Drücken Sie die START/ABBRECHEN-Taste, um die aktuelle Kocheinstellung mit Startverzögerung zu aktivieren.
- Ein Countdown beginnt und die VORHEIZEN-Anzeigelampe wird während der Startverzögerung nicht beleuchtet.

## HÖHENANPASSUNG

Druck baut sich auf und nimmt zu, wenn die Temperatur in der Kochschüssel den Siedepunkt übersteigt. Mit zunehmender Höhe sinkt der Luftdruck und damit die Temperatur, bei der Wasser zu kochen beginnt. Dadurch ergeben sich für das Kochen mit einem Schnellkochtopf ganz andere Bedingungen.

Um unabhängig von Ihrer Höhenlage konstante Kochergebnisse zu erzielen, verfügt der Fast Slow GO™ über eine Höhenanpassungsfunktion, mit dem die Einstellungen basierend auf der Höhenlage Ihres gegenwärtigen Aufenthaltsortes angepasst werden.

1. Um auf das Höhenanpassungsmenü zuzugreifen, drücken und halten Sie die STARTVERZÖGERUNG- und WARMHALTEN-Tasten zwei Sekunden lang gedrückt.
2. Drücken Sie die ZEIT-Tasten (+/-) oder die DRUCK/TEMPERATUR-Tasten (+/-), um die Höhenangabe anzupassen.
3. Auf dem 4-Zeichen-Display werden abwechselnd eine Sekunde lang ALT und der Höhenwert angezeigt.
4. Drücken Sie zur Bestätigung die START-Taste. Ein Signalton ertönt.
5. Die Einstellungen Ihres Kochtopfs wurden nun auf Ihre aktuelle Höhenlage angepasst. Durch Drücken einer beliebigen Taste oder Verlassen des Menüs nach Ablauf der Zeit wird die momentan ausgewählte Höheneinstellung gespeichert. Um die Höhe auf Werkseinstellungen zurückzusetzen, wählen Sie 0 Meter.



## HINWEIS

Besuchen Sie [www.elevationmap.net](http://www.elevationmap.net) oder kontaktieren Sie die Sage-Kundendienststelle, um die Höhe Ihres aktuellen Aufenthaltsortes herauszufinden.

## MASSEINHEITEN EINSTELLEN

Die Standard-Maßeinheit ist Grad Celsius (°C). Um von den metrischen auf die imperialen Maßeinheiten zu wechseln, drücken Sie die DRUCK/TEMPERATUR-Tasten (+/-) für 5 Sekunden. Auf dem Display wird F für Fahrenheit angezeigt. Drücken Sie DRUCK/TEMPERATUR-Tasten (+/-) erneut für 5 Sekunden, um zurück zu Celsius zu wechseln. Auf dem Display wird nun ein C angezeigt.



## Pflege und Reinigung

Vergewissern Sie sich, dass der Kochtopf ausgeschaltet ist, bevor Sie das Gerät reinigen. Ziehen Sie den Stecker aus der Steckdose und den Gerätestecker am anderen Ende des Netzkabels aus der Gerätebasis. Lassen Sie den Kochtopf und sämtliches Zubehör komplett abkühlen, bevor Sie Teile entfernen und reinigen.

Waschen Sie die herausnehmbare Kochschüssel mit warmem Seifenwasser und einem sauberen weichen Tuch oder Schwamm ab, bevor Sie sie mit klarem Wasser abspülen. Danach gründlich abtrocknen.

Falls sich nach einiger Zeit Kalkablagerungen bilden, verdünnen Sie 2 Esslöffel weißen Essigs mit einer Tasse (250 ml) heißen Wassers, gießen Sie Mischung in die Kochschüssel und erhitzen Sie sie für 10 Minuten mit der DAMPFGAREN-Funktion. Lassen Sie das Gerät abkühlen und reinigen Sie es mit einer Scheuerbürste.



### HINWEIS

Die herausnehmbare Kochschüssel kann im Geschirrspüler gewaschen werden, allerdings empfehlen wir, sie stattdessen in heißem Seifenwasser mit einem milden Spülmittel zu reinigen. Spülen und trocknen Sie sie danach gründlich ab.

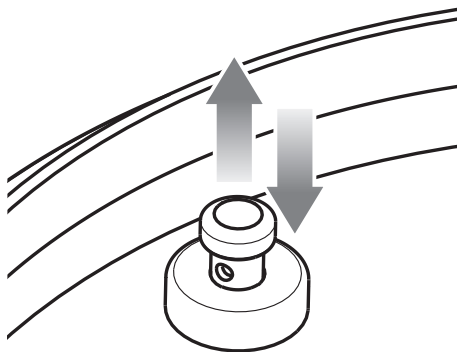


### WARNUNG

- Verwenden Sie keine scheuernden Reinigungsmittel, Stahlwolle oder Scheuerschwämme, um die Außen- und Innenseite des Gerätes zu reinigen.
- Die Metallbasis und das Netzkabel dürfen niemals in Wasser oder andere Flüssigkeiten getaucht werden, da dies Stromschläge auslösen kann.
- Die herausnehmbare Kochschüssel muss korrekt in die Basis eingesetzt werden, bevor Sie mit dem Kochvorgang beginnen.

## SO NEHMEN SIE DEN DECKEL AB:

- Ziehen Sie die Silikon-Gummi-Dichtung aus dem Dichtungshalter. Überprüfen Sie regelmäßig, dass die Dichtung sauber und flexibel ist und weder Risse noch Sprünge aufweist. Verwenden Sie das Gerät nicht, falls die Dichtung beschädigt ist.
- Reinigen Sie die Innenseite des Deckels mit einem feuchten Schwamm oder Tuch und etwas Spülmittel. Entfernen Sie Ölreste falls nötig mit einer Bürste. Wischen Sie die Innenseite zum Schluss mit einem sauberen feuchten Tuch aus.
- Versichern Sie sich regelmäßig, dass das Druckabgabeventil sauber und frei von Flüssigkeiten oder Speiseresten ist. Entfernen Sie die Abdeckung des Druckabgabeventils vom Deckel und wischen Sie ihn mit einem feuchten Tuch und etwas Spülmittel ab, bevor Sie ihn gründlich abspülen und erneut anbringen.
- Das Sicherheitsventil muss regelmäßig überprüft und gereinigt werden, um Verstopfungen zu verhindern, die das Ventil blockieren können. Entfernen Sie Öl und Speisereste. Das Ventil muss nach der Reinigung problemlos in beide Richtungen bewegt werden können.



## SILIKON-GUMMI-DICHTUNG:

- Ersetzen Sie die Silikon-Gummi-Dichtung alle 1-2 Jahre (mehr erfahren Sie in einer Sage-Kundendienststelle in Ihrer Nähe).

- Waschen Sie die Dichtung in warmem Seifenwasser, spülen Sie sie mit klarem Wasser ab und trocknen Sie sie gründlich, bevor Sie sie erneut einsetzen.
- Die Silikon-Gummi-Dichtung kann im Geschirrspüler gewaschen werden (im obersten Korb), um Gerüche von Gewürzen zu beseitigen.
- Weichen Sie die Silikon-Gummi-Dichtung in einer Mischung aus Natron und Wasser ein, um Gerüche vor der Reinigung zu entfernen.



## WARNUNG

Wird die Silikon-Gummi-Dichtung nicht korrekt eingesetzt, lässt sich der Deckel nicht vollständig versiegeln. Dies kann zu einer Fehlfunktion des Gerätes und zum Austritt von Dampf oder heißen Flüssigkeiten führen, die Verbrennungen oder Verbrühungen verursachen.



## TIPP

Speisegerüche lassen sich mit einer Mischung aus ½ Tasse (125 ml) Zitronensaft, einem Esslöffel Zitronenzeste und 500 ml heißen Wassers entfernen. Erhitzen Sie diese Mischung für 5 Minuten bei HOHEM Druck.

## AUFBEWAHRUNG:

- Vergewissern Sie sich, dass der Kochtopf ausgeschaltet ist. Der Kochtopf ist ausgeschaltet, wenn alle Lichter der Bedienfläche aus sind.
- Ziehen Sie den Stecker aus der Steckdose. Lassen Sie den Kochtopf und sämtliches Zubehör komplett abkühlen, bevor Sie Teile entfernen und reinigen.
- Der Kochtopf und sämtliches Zubehör müssen sauber und trocken sein.
- Vergewissern Sie sich, dass sich die Kochschüssel im Kochtopf befindet.
- Der Deckel sollte geschlossen und verriegelt sein.
- Bewahren Sie das Gerät in einer aufrechten Position auf. Stellen Sie sicher, dass die vier Stützbeine gleichmäßig den Boden berühren. Stellen Sie keine Gegenstände auf das Gerät.



# Störungsbehebung

PROBLEM	EINFACHE LÖSUNG
<b>Der Deckel lässt sich nach Ende des Kochzyklus nicht öffnen.</b>	<ul style="list-style-type: none"> <li>• Drücken Sie die DAMPFABGABE-Taste, bis der komplette Innendruck abgelassen wurde und der Kochtopf sich öffnen lässt.</li> <li>• Sollte dies häufig vorkommen, müssen die Einstellungen des Kochtopfs möglicherweise an Ihre gegenwärtige Höhenlage angepasst werden. Folgen Sie den Anweisungen im Abschnitt „Höhenanpassung“.</li> </ul>
<b>Die DECKEL-Anzeigelampe blinkt und ein Signalton wird abgegeben.</b>	<ul style="list-style-type: none"> <li>• Drehen Sie den Deckel in die korrekte Schnellkochen- oder Slow Cook-Position.</li> </ul>
<b>Dampf tritt um den Deckel herum aus ODER der Sicherheitsverriegelungsstift springt nicht auf ODER der Kochtopf baut nicht genügend Druck auf ODER der Timer zählt nicht herunter ODER das Display zeigt die Nachricht „SEAL“ an.</b>	<ul style="list-style-type: none"> <li>• Bringen Sie den Deckel korrekt an. Versichern Sie sich, dass zwischen dem Deckelarm und dem Edelstahldeckel kein Abstand ist. Die Dichtungsmutter sollte fest angeschraubt sein.</li> <li>• Die Deckeldichtung aus Silikon muss sauber und unbeschädigt sein, darf keine Risse aufweisen und muss korrekt eingesetzt sein.</li> <li>• Der Sicherheitsverriegelungsstift sollte sich frei nach oben und unten bewegen können.</li> <li>• Bei versperrtem Deckel sollte der Sicherheitsverriegelungsstift am Deckelarm ausgerichtet sein.</li> <li>• Das Druckabgabeventil sollte korrekt sitzen und zum Deckelknopf gedreht sein.</li> <li>• Fügen Sie mehr Flüssigkeit/Zutaten in die Schüssel. Es sollten sich mindestens 1 Liter Lebensmittel und Flüssigkeit in der Schüssel befinden.</li> <li>• Wenn das Problem weiterhin besteht, kontaktieren Sie den Sage-Kundendienst.</li> </ul>
<b>Der Kochtopf wechselt automatisch in die WARMHALTEN-Funktion, ohne einen vollständigen Kochzyklus zu durchlaufen.</b>	<ul style="list-style-type: none"> <li>• Füllen Sie mehr Wasser in die Kochschüssel und beginnen Sie den Vorgang erneut.</li> </ul>
<b>Wasser sammelt sich auf der Theke.</b>	<ul style="list-style-type: none"> <li>• Stellen Sie sicher, dass der Kochtopf auf einer flachen, ebenen Oberfläche steht, und dass die Auffangtasse für Kondenswasser korrekt in die Rückseite des Kochtopfs eingesetzt ist. Folgen Sie den Anweisungen auf Seite 15, um den Fast Slow GO™ für den Gebrauch vorzubereiten.</li> <li>• Leeren Sie Auffangtasse für Kondenswasser.</li> </ul>
<b>Auf dem Display wird „Err“ angezeigt.</b>	<ul style="list-style-type: none"> <li>• Das Display zeigt „Err“ an, wenn das Gerät ein Problem hat, das nicht zurückgesetzt werden kann. Ist dies der Fall, entfernen Sie den Netzstecker sofort aus der Steckdose und kontaktieren Sie den Sage-Kundenservice.</li> </ul>
<b>Werkseinstellungen.</b>	<ul style="list-style-type: none"> <li>• Halten Sie die Tasten „Suppe“ (Soup) und „Sous-Vide“ gleichzeitig drei Sekunden lang gedrückt, um die Einstellungen einschließlich der Höhenangabe zu löschen.</li> </ul>



## Garantie

### **2 JAHRE BESCHRÄNKTE GARANTIE**

Sage Appliances gibt auf dieses Produkt für den häuslichen Gebrauch in bestimmten Gebieten eine Garantie über 2 Jahre ab Kaufdatum für Mängel, die durch fehlerhafte Verarbeitung und Materialien verursacht wurden. Während dieser Garantiezeit wird Sage Appliances jedes fehlerhafte Produkt reparieren, ersetzen oder das Geld zurückerstatten (nach eigenem Ermessen von Sage Appliances).

Alle gesetzlichen Gewährleistungsrechte nach geltendem nationalem Recht werden beachtet und durch unsere Garantie nicht beeinträchtigt. Die vollständigen Garantiebestimmungen und -bedingungen sowie Hinweise zur Geltendmachung von Ansprüchen finden Sie unter [www.sageappliances.com](http://www.sageappliances.com).



# *the Fast Slow GO™*

BPR680/SPR680



FR GUIDE UTILISATEUR

# Sage®



## Table des matières

- 2 Sage recommande la sécurité avant tout
- 9 Composants
- 10 Panneau de commande
- 11 Préréglages culinaires
- 12 Préréglages de cuisson
- 13 Fonctions
- 25 Entretien et nettoyage
- 27 Dépannage
- 28 Garantie

## SAGE RECOMMANDE LA SÉCURITÉ AVANT TOUT

**Chez Sage® , la sécurité est une priorité. Nous concevons et fabriquons des produits consommateurs en mettant la sécurité de nos précieux clients, c'est-à-dire vous, au premier plan. Nous vous demandons également de faire attention lorsque vous utilisez un appareil électrique et de respecter les consignes suivantes.**

## CONSIGNES DE SÉCURITÉ IMPORTANTES

### LISEZ TOUTES LES INSTRUCTIONS AVANT UTILISATION ET CONSERVEZ-LES POUR RÉFÉRENCE ULTÉRIEURE

- Une version téléchargeable de ce document est également disponible sur [sageappliances.com](http://sageappliances.com)
- Ne laissez pas les enfants se tenir près de l'autocuiseur pendant son utilisation.
- Ne mettez pas l'autocuiseur dans un four chauffé.
- Manipulez l'autocuiseur avec une grande précaution lorsque vous le déplacez. Ne touchez pas les surfaces chaudes. Utilisez les poignées et les boutons. Si nécessaire, utilisez des protections.



### AVERTISSEMENT

N'utilisez pas l'autocuiseur pour un usage autre que celui auquel il est destiné. Cet appareil cuit sous pression. Les risques de

brûlures peuvent résulter d'une mauvaise utilisation de l'appareil. Assurez-vous que l'autocuiseur est bien fermé avant de l'utiliser. Veuillez consulter les instructions de « cuisson sous pression » dans ce manuel.

- Ne forcez jamais l'ouverture de l'autocuiseur. Avant de l'ouvrir, veillez à ce que la pression interne soit complètement tombée. Veuillez consulter les instructions de « dégagement vapeur » dans ce manuel.
- Le récipient ne doit pas être ouvert tant que la pression n'a pas suffisamment diminué.
- N'utilisez jamais votre autocuiseur sans ajouter d'eau, cela endommagerait gravement l'appareil.
- Ne remplissez pas l'autocuiseur au-delà de 2/3 de sa capacité. Lorsque vous cuisinez des aliments qui se gonflent pendant la cuisson, comme le riz ou les légumes déshydratés, ne remplissez pas

l'autocuiseur à plus de la moitié de sa capacité.

- La source de chauffe nécessaire à la cuisson est comprise dans l'appareil.
- Après la cuisson d'une viande dont la peau (par exemple la langue de bœuf) peut gonfler sous l'effet de la pression, ne piquez pas la viande lorsque la peau est gonflée ; vous risqueriez de vous ébouillanter.
- La surface de l'élément chauffant est sujette à une chaleur résiduelle après utilisation.
- Lorsque vous cuisinez des aliments à la texture épaisse ou pâteuse, secouez doucement l'autocuiseur après le dégagement de vapeur. Puis, si nécessaire, laissez à nouveau la vapeur s'échapper avant de soulever le couvercle pour éviter la projection des aliments.
- Avant chaque utilisation, vérifiez que les soupapes ne sont pas obstruées. Veuillez consulter les instructions d'utilisation.

- N'utilisez jamais l'auto-cuiseur en mode sous pression pour faire frire des aliments superficiellement ou en profondeur.
- Ne modifiez aucun des systèmes de sécurité en dehors des instructions d'entretien spécifiées dans le mode d'emploi.
- N'utilisez que des pièces de rechange Sage® conformes au modèle correspondant. Utilisez notamment un récipient et un couvercle de Sage® indiqués comme étant compatibles.
- Avant une première utilisation, assurez-vous que votre alimentation électrique est identique à celle illustrée sur l'étiquette située en dessous de l'appareil. Si vous avez des questions, veuillez contacter votre fournisseur d'électricité.
- Retirez et jetez en lieu sûr les emballages et les étiquettes promotionnelles avant d'utiliser l'appareil.
- Pour éviter tout risque d'étouffement pour les jeunes enfants, retirez et éliminez de manière sûre le couvercle de protection sur la prise d'alimentation de cet appareil.
- Assurez-vous toujours que l'appareil est correctement assemblé avant utilisation. Suivez les instructions fournies dans ce manuel.
- Insérez toujours l'extrémité du cordon d'alimentation dans l'entrée de l'appareil avant d'insérer la fiche dans la prise d'alimentation et d'allumer l'appareil. Vérifiez que l'entrée de l'appareil est entièrement sèche avant d'insérer l'extrémité du cordon d'alimentation.
- Veillez à éviter tout déversement sur le connecteur.
- Ne touchez pas les surfaces chaudes. Les surfaces de l'appareil sont chaudes pendant et après le fonctionnement. Afin d'éviter des brûlures ou des blessures corporelles, utilisez toujours des maniques ou des gants de cuisine isolants, ou utilisez les poignées ou les boutons le cas échéant.

- Ne placez pas l'appareil au bord d'une table ou d'un comptoir pendant son utilisation. Assurez-vous que la surface est sèche, plane, propre et sans aucun liquide ou autre substance.
- Les appareils de cuisson doivent se tenir en position stable, avec les poignées (le cas échéant) correctement fixées pour éviter de renverser les liquides chauds.
- Utilisez toujours l'appareil sur une surface plane et résistante à la chaleur. N'utilisez pas l'appareil sur une surface recouverte de tissu et placez-le à au moins 20 cm des murs, rideaux, tissus et autres matières sensibles à la chaleur.
- Ne placez pas l'appareil sur ou près d'un brûleur électrique ou à gaz chaud, ou à un endroit où il est susceptible d'être en contact avec un four chaud.
- N'utilisez pas l'appareil sur l'égouttoir d'un évier.
- Ne placez pas l'autocuiseur sur un plan de travail en pierre pendant la cuisson. En effet, ces surfaces sont sensibles aux chaleurs variables et peuvent se fissurer en cas de chauffe à un endroit précis. Si vous souhaitez cuisiner avec l'autocuiseur sur ce type de table, placez une planche à découper ou un dessous de plat résistant à la chaleur sous l'autocuiseur.
- Hormis le couvercle, ne placez rien au-dessus du cuiseur lorsque l'appareil est assemblé, utilisé ou rangé.
- N'utilisez pas la poignée du couvercle pour transporter l'appareil.
- Avant de placer le récipient de cuisson amovible dans le fond en acier inoxydable, veillez à ce que la base du bol et le fond de l'appareil soient secs en les essuyant avec un chiffon doux et sec.
- N'utilisez pas un récipient de cuisson amovible endommagé. Remplacez-le avant utilisation.


- Ne mettez pas de nourriture ou de liquide directement dans le fond en acier inoxydable. Seul le récipient de cuisson amovible est conçu pour contenir des aliments ou du liquide.
- Avant l'utilisation, vérifiez toujours que la soupape de décompression et la goupille de verrouillage de sécurité ne sont pas obstruées et nettoyez-les si nécessaire. Vérifiez que la goupille de verrouillage de sécurité peut se mouvoir aisément sous le couvercle.
- Ne touchez pas à la soupape de décompression pendant l'utilisation.
- N'utilisez que le bouton DÉGAGEMENT VAPEUR recommandé pour réduire la pression de l'autocuiseur après utilisation.
- Ne laissez pas l'appareil sans surveillance lorsqu'il est en marche.

## MESURES IMPORTANTES DE SÉCURITÉ POUR TOUS LES APPAREILS ÉLECTRIQUES

- N'utilisez pas cet appareil si celui-ci est usé, a été laissé tomber ou est endommagé de quelque manière que ce soit.
- Déroulez entièrement le cordon d'alimentation avant utilisation.
- Ne laissez pas le cordon d'alimentation pendre au bord d'un plan de travail ou d'une table, entrer en contact avec des surfaces chaudes ou se nouer.
- Branchez uniquement à une prise électrique 220-240 V.
- Assurez-vous toujours que l'appareil est hors tension et débranché et que les pièces ont toutes refroidi avant de déplacer l'appareil, lorsqu'il n'est pas utilisé, avant de le nettoyer ou pour le ranger.

- L'appareil peut être utilisé par des enfants âgés de 8 ans ou plus et des personnes aux capacités physiques, sensorielles ou mentales réduites, ou ayant peu d'expérience et de connaissances, uniquement sous supervision ou après avoir reçu des instructions pour une utilisation de l'appareil en toute sécurité et à condition qu'ils comprennent les risques que cela comporte.
- Les enfants ne doivent pas jouer avec l'appareil.
- Le nettoyage et l'entretien ne doivent pas être effectués par des enfants, sauf s'ils sont âgés de plus de 8 ans et sous surveillance d'un adulte.
- Gardez l'appareil et son cordon hors de portée des enfants de moins de 8 ans.
- Il est recommandé d'inspecter régulièrement l'appareil. N'utilisez pas l'appareil si le cordon d'alimentation, la prise ou l'appareil sont endommagés de quelque manière que ce soit. En cas de dommage, ou si un entretien autre que le nettoyage est nécessaire, veuillez contacter le service client Sage ou consulter le site [sageappliances.com](http://sageappliances.com).
- L'utilisation d'accessoires non fabriqués ou non indiqués par Sage® peut provoquer des incendies, des chocs électriques ou des blessures.
- Cet appareil est destiné à un usage domestique uniquement. N'utilisez pas l'appareil à d'autres fins que son utilisation prévue. Ne l'utilisez pas sur un bateau ou dans des véhicules en mouvement. Ne l'utilisez pas en plein air. Une mauvaise utilisation peut engendrer des blessures.
- L'appareil ne doit pas être utilisé avec une minuterie externe ou un système de commande à distance séparé.

- L'installation d'un commutateur de sécurité de courant résiduel est recommandée pour fournir une sécurité supplémentaire lors de l'utilisation d'appareils électriques. Il est recommandé d'installer un interrupteur différentiel avec un courant de fonctionnement résiduel nominal maximal de 30 mA dans le circuit électrique alimentant l'appareil. Consultez votre électricien pour obtenir des conseils professionnels.

 Afin d'éviter tout risque de décharge électrique, n'immergez pas le cordon électrique, la prise électrique ou l'appareil dans l'eau ou dans tout autre liquide.

 Le symbole illustré indique que cet appareil  ne doit pas être jeté dans les ordures ménagères. Il doit être déposé dans un centre de collecte de déchets de la collectivité locale désigné à cette fin ou à un revendeur proposant ce service. Pour en savoir plus, veuillez contacter le bureau de votre municipalité.

## SPÉCIFICATIONS

Modèle	SPR680
Volume nominal	6 litres
Volume utile	4 litres
Pression de fonctionnement	80 kPa
Source de chauffe	Élément chauffant électrique

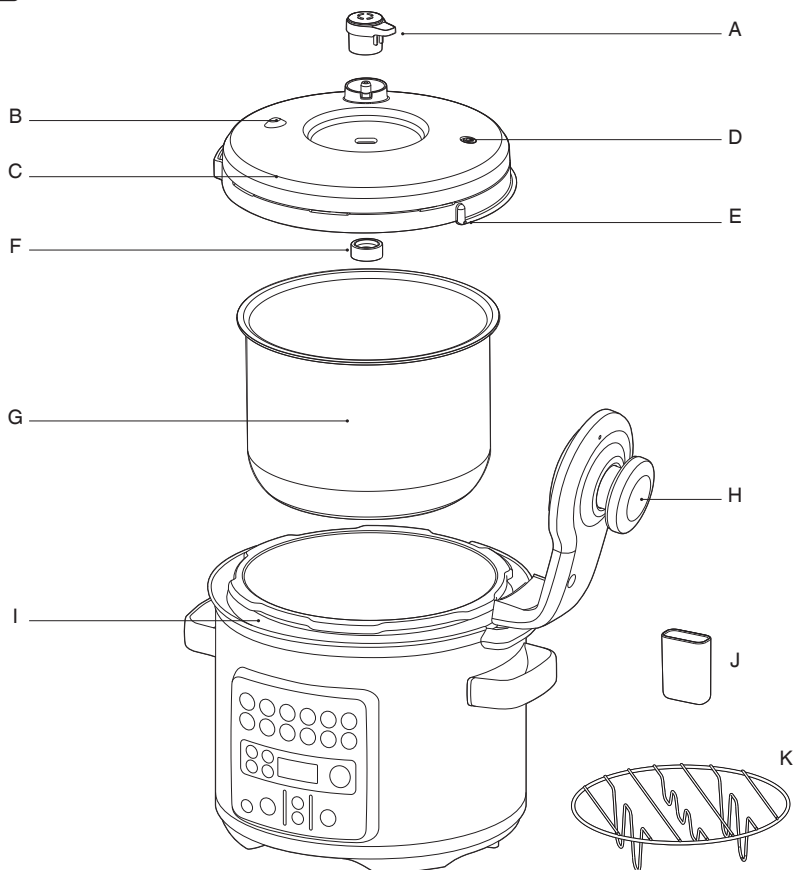
Ces spécifications peuvent faire l'objet de modifications sans préavis.

**USAGE DOMESTIQUE UNIQUEMENT**  
**CONSERVEZ CES INSTRUCTIONS**





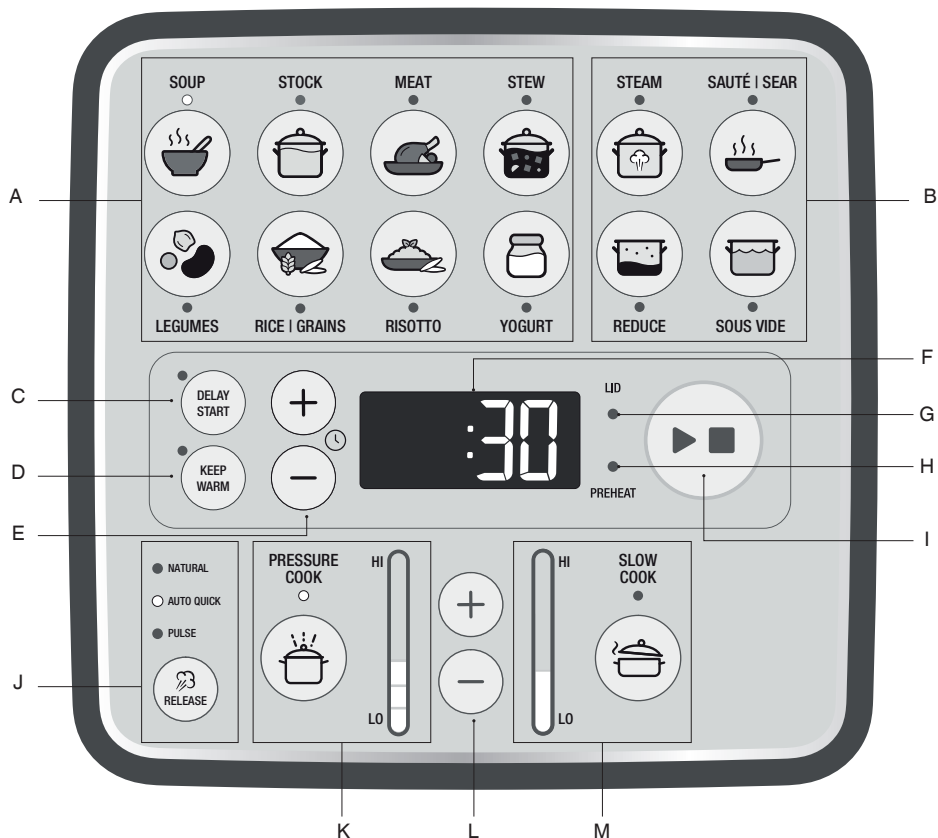
## Composants



- A.** Soupape de décompression  
Contrôle automatiquement le débit de vapeur sortant de l'autocuiseur
- B.** Soupape de sécurité
- C.** Couvercle amovible lavable au lave-vaisselle
- D.** Goupille de verrouillage de sécurité  
Une fois la pression atteinte, la goupille se soulève et agit comme un dispositif de verrouillage de sécurité
- E.** Joint d'étanchéité en silicone  
Facile à installer pour un assemblage et un nettoyage aisés.

- F.** Écrou d'étanchéité
- G.** Récipient de cuisson amovible de 6 L
- H.** Bras du couvercle
- I.** Gouttière facile à nettoyer  
Récupère les gouttes de condensation pour un nettoyage facilité.
- J.** Collecteur de condensation
- K.** Support en inox  
Soulève les aliments hors du liquide pour les faire rôtir et cuire à la vapeur.

## PANNEAU DE COMMANDE



- A. Préréglages culinaires avec voyants lumineux
- B. Préréglages de cuisson avec voyants lumineux
- C. DÉMARRAGE DIFFÉRÉ
- D. MAINTIEN AU CHAUD
- E. Boutons de réglage DURÉE (+/-)
- F. Écran LED
- G. Voyant de verrouillage/déverrouillage du couvercle
- H. Voyant de préchauffage
- I. Bouton DÉMARRER/ARRÊTER

- J. Bouton de dégagement vapeur avec voyants de sélection des modes
- K. CUISSON SOUS PRESSION avec voyant lumineux  
Indicateur de niveau de pression pour le mode cuisson sous pression
- L. Boutons de réglage PRESSION/TEMPÉRATURE (+/-)
- M. CUISSON LENTE avec voyant lumineux  
Indicateur de température pour le mode cuisson lente

**CE** Informations sur la tension nominale :  
220-240 V ~50-60 Hz 900-1100 W

## PRÉRÉGLAGES CULINAIRES

### PARAMÈTRE : CUISSON SOUS PRESSION

TYPES D'ALIMENT	PARAMÈTRE PAR DÉFAUT	INTERVALLE
<b>Soupe</b>	50 kPa – environ 110 °C 30 MIN AUTO RAPIDE	10 kPa – 80 kPa Jusqu'à 2 h
<b>Bouillon</b>	80 kPa – environ 116 °C 1 HEURE AUTO RAPIDE	10 kPa – 80 kPa Jusqu'à 2 h
<b>Viande</b>	80 kPa – environ 116 °C 1 HEURE AUTO RAPIDE	10 kPa – 80 kPa Jusqu'à 2 h
<b>Ragoût</b>	60 kPa – environ 112 °C 1 HEURE AUTO RAPIDE	10 kPa – 80 kPa Jusqu'à 2 h
<b>Légumineuses</b>	80 kPa – environ 116 °C 30 MIN NATUREL	10 kPa – 80 kPa Jusqu'à 2 h
<b>Riz   Céréales</b>	50 kPa – environ 110 °C 10 MIN AUTO PULSÉ	10 kPa – 80 kPa Jusqu'à 2 h
<b>Risotto</b>	40 kPa – environ 108 °C 7 MIN AUTO RAPIDE	10 kPa – 80 kPa Jusqu'à 2 h

### PARAMÈTRE : CUISSON LENTE

TYPES D'ALIMENT	PARAMÈTRE PAR DÉFAUT	INTERVALLE
<b>Soupe</b>	ÉLEVÉE : 95 °C 4 h MAINTIEN AU CHAUD	Durée : 2 à 12 h Temp. : Élevée – Basse Maintien au chaud : on/off
<b>Bouillon</b>	ÉLEVÉE : 95 °C 4 h MAINTIEN AU CHAUD	Durée : 2 à 12 h Temp. : Élevée – Basse Maintien au chaud : on/off
<b>Viande</b>	BASSE : 90 °C 8 h	Durée : 2 à 12 h Temp. : Élevée – Basse Maintien au chaud : on/off
<b>Ragoût</b>	BASSE : 90 °C 8 h	Durée : 2 à 12 h Temp. : Élevée – Basse Maintien au chaud : on/off
<b>Légumineuses</b>	ÉLEVÉE : 95 °C 6 h	Durée : 2 à 12 h Temp. : Élevée – Basse Maintien au chaud : on/off

<b>YAOURT</b>	Étape 1	Étape 2	Étape 3	Durée : 8 à 16 h
	Cuisson	Refroidissement*	Incubation	Temp. : s/o
	10 MIN	Jusqu'à 3 heures	8 heures	Maintien au chaud : s/o
	Temp. : 83 °C	Temp. : de 83 °C à 43 °C	Temp. : 43 °C	
	MAINTIEN AU CHAUD OFF	MAINTIEN AU CHAUD OFF	MAINTIEN AU CHAUD OFF	

**\*Temps de refroidissement à couvercle ouvert (pour 2 litres de lait) :**

Il peut falloir jusqu'à 1 h 20 min pour faire baisser la température de 83 °C à 43 °C

Temps de refroidissement à couvercle fermé (pour 2 litres de lait) :

Il peut falloir jusqu'à 3 h pour faire baisser la température de 83 °C à 43 °C

## PRÉRÉGLAGES DE CUISSON

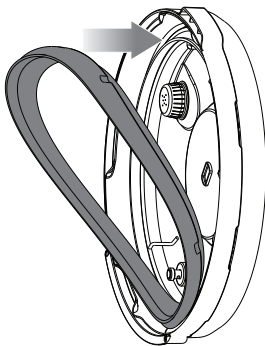
PARAMÈTRE	DURÉE/TEMPÉRATURE PRÉRÉGLÉE	INTERVALLE
<b>SAUTER/SAISIR</b>	DÉCOMPTE MINUTEUR Temp. : Élevée – (Sauter) 168 °C Moy. – (Sauter) 150 °C Basse – (Sauter) 130 °C	Durée : s/o Maintien au chaud : off seul
<b>RÉDUIRE</b>	ÉLEVÉE 10 MIN Temp. : Basse – 105 °C Moy. – 115 °C Élevée – 130 °C	Durée : 1 min à 2 h Maintien au chaud : on/off
<b>VAPEUR</b>	15 MIN Temp. : 100 °C	Durée : 1 min à 1 h Temp. : s/o Maintien au chaud : off seul
<b>SOUS VIDE</b>	1 HEURE Temp. : 57 °C	Durée : 1 min à 24 h Temp. : 30 °C – 90 °C Maintien au chaud : s/o
<b>MAINTIEN AU CHAUD</b>	2 HEURES DÉCOMPTE MINUTEUR Temp. : 70 °C	



## Fonctions

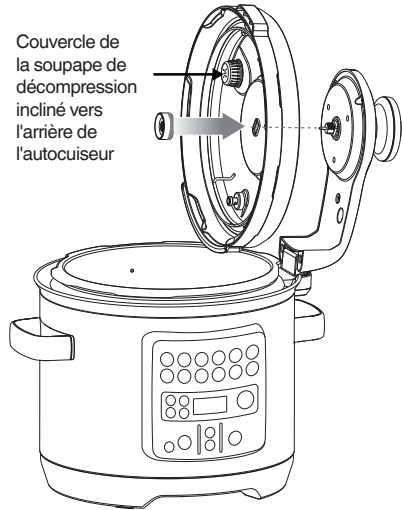
### AVANT LA PREMIÈRE UTILISATION

1. Retirez et jetez en lieu sûr tous les emballages, adhésifs et étiquettes promotionnelles.
2. Ouvrez le couvercle en tournant le bouton dans le sens inverse des aiguilles d'une montre et en soulevant le couvercle jusqu'à le mettre en position verticale, charnière ouverte. Dévissez et retirez l'écrou d'étanchéité au centre du couvercle et tirez le couvercle pour le séparer de son bras.
3. Nettoyez le couvercle, le récipient de cuisson amovible et le joint d'étanchéité en silicone du couvercle avec de l'eau chaude et du savon. Bien rincer et sécher. Essuyez l'intérieur et l'extérieur de la base avec un chiffon doux et humide. Bien sécher.
4. Une fois le joint d'étanchéité nettoyé, refixez-le fermement autour de l'anneau métallique situé sous le couvercle. Ajustez sa position si nécessaire, de sorte à ce qu'il soit bien installé, sans distorsion.



5. Pour rattacher le couvercle, placez-le de telle façon que la soupape de dégagement vapeur se trouve à l'arrière de l'appareil, puis alignez le centre du couvercle sur l'écrou situé sur la partie inférieure du bras du couvercle et

poussez pour faire apparaître le filetage de la vis. Fixez le couvercle en vissant l'écrou d'étanchéité de sorte que le joint rouge touche la surface du couvercle.



6. Nettoyez et séchez le fond du récipient de cuisson et le capteur de température en vous assurant de ne pas laisser de substances indésirables à la surface. Le récipient de cuisson amovible doit être posé à plat sur le capteur de température pour assurer un bon contact.
7. Fixez le collecteur de condensation.
8. Vérifiez que l'extrémité du cordon d'alimentation soit complètement sec avant de l'insérer dans le socle de l'autocuiseur. Branchez le cordon d'alimentation sur une prise de 230/240 volts (mise à la terre).
  - Définissez le niveau d'altitude (altitude par rapport au niveau de la mer). L'appareil affichera Set – Alt – (distance) – mètres
  - Appuyez sur les boutons TEMPS (+/-) pour ajuster la durée selon l'altitude à laquelle vous vous trouvez, de 0 à 2 000 mètres.
  - Appuyez sur DÉMARRER pour confirmer.

9. Un signal sonore retentira et l'écran LED s'illuminera.
10. Il est recommandé de lancer un cycle de cuisson de 15 minutes avec de l'eau pour éliminer complètement les substances se trouvant dans le récipient de cuisson et sur l'élément chauffant.



## REMARQUE

L'autocuiseur ne doit pas être utilisé à une altitude supérieure à 2 000 mètres. À des altitudes plus élevées, des temps de cuisson plus longs sont nécessaires pour obtenir les meilleurs résultats. Dans ces régions de haute altitude, prolongez votre temps de cuisson au besoin pour obtenir le résultat alimentaire souhaité.



## AVERTISSEMENT

Utilisez uniquement le récipient de cuisson correspondant à cet appareil. Si vous utilisez un récipient autre que celui fourni, vous risquez d'endommager l'appareil de façon permanente.

## PARAMÈTRES DU PANNEAU DE COMMANDE

Le Fast Slow GO™ propose 6 paramètres de cuisson prédéfinis : Cuisson sous pression, Cuisson lente, Réduire, Sauter/Saisir, Vapeur et Sous vide. Il propose également 8 pré-réglages culinaires : Soupe, Bouillon, Viande, Ragoût, Légumineuses, Riz/Céréales, Risotto et Yaourt.

## PRÉRÉGLAGES CULINAIRES

Le panneau de commande affiche 8 pré-réglages selon le type d'aliment pour faciliter la sélection.

Ces 8 pré-réglages utilisent les paramètres par défaut qui vous permettront d'obtenir les meilleurs résultats pour chaque type d'aliment. Par exemple en basculant en mode CUISSON SOUS PRESSION ou CUISSON LENTE.

En fonction du mode de cuisson, le pré-réglage culinaire ajustera la PRESSION et la TEMPÉRATURE, le temps de cuisson et le mode de dégagement vapeur, ainsi que l'activation et la désactivation du bouton MAINTIEN AU CHAUD.

Le temps de cuisson et les modes MAINTIEN AU CHAUD ou DÉMARRAGE DIFFÉRÉ peuvent tous être ajustés sans que cela ne modifie le pré-réglage culinaire. Toutefois, toute modification des réglages de pression, de température ou de dégagement vapeur (en fonction du mode sur lequel l'appareil est réglé) fera passer l'appareil en mode personnalisé.



Le tableau ci-dessous montre, lors de la sélection d'un menu, que certains aliments peuvent être cuits aussi bien en mode CUISSON SOUS PRESSION que CUISSON LENTE.

TYPES D'ALIMENT	CUISSON SOUS PRESSION	CUISSON LENTE
Soupe	✓	✓
Bouillon	✓	✓
Viande	✓	✓
Ragoût	✓	✓
Légumineuses	✓	✓
Riz/Céréales	✓	✗
Risotto	✓	✗
Yaourt	✗	✓

## DES ÉTAPES PRÉDÉFINIES SIMPLES

Par exemple :

### SOUPE

- Appuyez sur l'icône SOUPE  sur l'interface.
- L'interface propose automatiquement la fonction de Cuisson sous pression (le cas échéant).  
Pour sélectionner une fonction de cuisson lente, appuyez sur le bouton CUISSON LENTE .
- L'interface affichera automatiquement le temps de cuisson et le niveau de pression précis pour une soupe.

- Le temps de cuisson peut être réglé à la hausse ou à la baisse à l'aide des boutons + et -.
- Une fois les ingrédients ajoutés, appuyez sur DÉMARRER pour commencer la cuisson.



## ASTUCE

Si vous le souhaitez, vous pouvez faire sauter les légumes ou saisir la viande avec la fonction SAUTER/SAISIR avant la cuisson. Lorsque vous avez terminé, appuyez sur ARRÊTER pour annuler la fonction SAUTER/SAISIR et sélectionnez le prochain pré-réglage de cuisson.




## REMARQUE

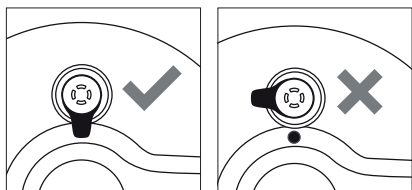
- Les personnes qui utilisent la méthode de cuisson sous pression pour la première fois pourraient être prises au dépourvu. Gardez toujours vos mains et votre visage éloignés de la soupape de décompression lorsque l'appareil libère de la vapeur (consultez la page 17 pour en savoir plus sur le dégagement vapeur variable et les précautions à prendre).
- Pour toute recommandation sur les paramètres prédéfinis, reportez-vous aux sections « Pré-réglages culinaires » et « Pré-réglages de cuisson ».
- Si aucun voyant de pré-réglage culinaire n'est allumé, alors l'appareil est en mode manuel. Pour revenir aux réglages par défaut, appuyez sur un bouton de pré-réglage culinaire.
- Le mode de dégagement vapeur programmé pour les modes de cuisson prédéfinis est sélectionné en vue d'obtenir des résultats optimaux. Si vous modifiez le mode de dégagement vapeur programmé, la nourriture risque de déborder ou de se déverser hors de l'appareil.

## MODE CUISSON SOUS PRESSION MANUELLE

La cuisson sous pression est une méthode de préparation des aliments qui utilise un couvercle à joint d'étanchéité qui retient la vapeur à l'intérieur et fait augmenter la pression. C'est l'augmentation de la pression qui fait monter la température du liquide et de la vapeur à l'intérieur bien au-dessus du point d'ébullition et permet ainsi de cuire les aliments jusqu'à 70 % plus rapidement. Ce qui se traduit par une consommation d'énergie réduite et des économies considérables en termes de temps et de coûts. Comme la cuisson sous pression nécessite très peu de liquide, les vitamines, les minéraux et les autres nutriments sont mieux conservés et les saveurs mieux préservées.

1. Pour sélectionner le mode de cuisson sous pression manuelle, appuyez sur le bouton CUISSON SOUS PRESSION et maintenez-le enfoncé  pendant 2 secondes.
2. Ajustez la pression de cuisson à l'aide des boutons PRESSION/TEMPÉRATURE (+/-). La pression peut être réglée de 10 kPa (BASSE) à 80 kPa (ÉLEVÉE).
3. Le chiffre affiché sur l'écran LED correspond au temps de cuisson prédéfini pour le pré-réglage sélectionné. Pour ajuster le temps de cuisson, utilisez les boutons DURÉE (+/-) (à côté de l'écran). Ils vous permettent de le réduire ou de l'augmenter. Le temps peut être ajusté jusqu'à 2 heures.
4. Appuyez sur la touche DÉGAGEMENT VAPEUR pour choisir entre les modes de dégagement vapeur « NATUREL », « AUTO RAPIDE » et « PULSÉ ».
5. Placez les aliments dans le récipient de cuisson amovible. Veillez à ce que l'ensemble d'aliments et de liquide dans le bol atteignent au moins 1 litre.
6. Fermez le couvercle et tournez le bouton du couvercle dans le sens des aiguilles d'une montre pour le verrouiller. Un signal sonore retentit lorsque le couvercle est verrouillé.

7. Assurez-vous que la soupape de décompression soit placée sur le couvercle en position fermée.



8. Appuyez sur DÉMARRER pour commencer la cuisson. Le bouton DÉMARRER/ARRÊTER s'éclaire en orange, le voyant PRÉCHAUFFAGE s'illumine.



## REMARQUE

Il est normal que l'appareil libère de petite quantité de vapeur pour stabiliser la pression.

9. Si le couvercle n'est pas correctement verrouillé, le voyant LID (couvercle) clignotera et un signal sonore retentira. La cuisson sera suspendue jusqu'à ce que le couvercle soit remis en bonne position. Tournez le bouton de couvercle dans le sens des aiguilles d'une montre pour le verrouiller et démarrer la cuisson.
10. Une fois que l'appareil a atteint la pression désirée, le voyant PRÉCHAUFFAGE s'éteint, le signal sonore retentit et le compte à rebours s'enclenche.
11. Le temps peut être réglé pendant le cycle de cuisson sous pression à l'aide des boutons DURÉE (+/-). Le cycle de cuisson peut être suspendu à tout moment par simple pression sur le bouton DÉMARRER/ARRÊTER. Maintenez le bouton DÉMARRER/ARRÊTER enfoncé pendant 2 secondes. Si la cuve est déjà sous pression, l'appareil passera immédiatement au cycle de dégagement vapeur.

12. À la fin du cycle de cuisson sous pression, l'appareil émettra un signal sonore et la vapeur sera automatiquement libérée via la soupape de décompression. L'icône VAPEUR se mettra à clignoter, et le minuteur se déclenchera.

13. En mode dégagement vapeur NATUREL, la pression diminuera d'elle-même dans la cuve sans évacuer la vapeur via la soupape de décompression. Le paramètre de dégagement vapeur peut être modifié pendant le cycle de libération de la vapeur à l'aide du bouton DÉGAGEMENT VAPEUR.
14. Lorsque le cycle de dégagement vapeur est terminé, le signal sonore retentit, l'écran se met à clignoter et si le mode MAINTIEN AU CHAUD a été activé, le minuteur se déclenche.
15. Ouvrez le couvercle en tournant le bouton dans le sens inverse des aiguilles d'une montre et soulevez-le doucement jusqu'à le mettre en position verticale, charnière ouverte.
16. Après 5 minutes d'inactivité, l'appareil passe en mode veille. L'écran LED s'éteindra.



## ATTENTION

Pour éviter de vous brûler avec la vapeur, ne placez jamais votre visage ou vos mains au dessus de l'appareil lorsque vous retirez le couvercle.



## AVERTISSEMENT

Si le couvercle ne se déverrouille pas, cela indique que l'appareil est encore sous pression. Ne forcez pas l'ouverture du couvercle, la pression à l'intérieur peut être dangereuse.

Appuyez longuement sur le bouton DÉGAGEMENT VAPEUR pour laisser s'échapper la vapeur manuellement.



## TABLEAU CUISSON SOUS PRESSION

Reportez-vous à ce tableau pour connaître la température approximative pour chaque niveau de pression en kPa :

Niveau de pression (kPa)	Température (°C)
10	102
20	104
30	106
40	108
50	110
60	112
70	114
80	116

## DÉGAGEMENT VAPEUR VARIABLE MAINS LIBRES

Le Fast Slow GO™ présente 3 méthodes de dégagement vapeur :

### Auto rapide

La pression est relâchée rapidement pour éviter la surcuisson des aliments ou des plats demandant des temps de cuisson courts.

Il n'est recommandé de procéder ainsi qu'avec des aliments qui n'augmentent pas de volume et ne moussent pas lorsqu'ils sont mis à bouillir.

### Pulsé

La pression est relâchée par à-coups pour réduire l'incidence sur la nourriture à l'intérieur.

Il est recommandé de procéder ainsi avec des aliments qui moussent peu ou pas du tout lorsqu'ils sont mis à bouillir.


### Naturel

La pression diminue naturellement à l'intérieur sans dégagement de vapeur via la soupape pour éviter la désintégration d'ingrédients fragiles comme les bouillons ou les légumes secs lors de la décompression.

Le mode de dégagement vapeur « Naturel » convient à tout type de recettes de cuisine.

## REMARQUE

Pour certains types d'aliments produisant une grande quantité de mousse (les légumineuses par exemple), seul le mode de dégagement vapeur « Naturel » permet d'éviter le déversement de nourriture.

Ces paramètres peuvent être sélectionnés à l'aide du bouton Dégagement vapeur  sur le panneau de commande lors de la phase de configuration ou de dégagement vapeur. Si ces paramètres sont sélectionnés, la soupape de décompression relâchera automatiquement la vapeur au terme du cycle de cuisson sous pression.

En appuyant longuement sur le bouton de dégagement vapeur pendant ou après le cycle de cuisson, vous ouvrirez la soupape de décompression.

## REMARQUE


Le mode de dégagement vapeur programmé pour les modes de cuisson prédéfinis est sélectionné en vue d'obtenir des résultats optimaux. Si vous modifiez le mode de dégagement vapeur programmé, la nourriture risque de déborder ou de se déverser hors de l'appareil.

## ATTENTION

Tenez toujours vos mains et votre visage éloignés de la soupape de décompression lors de la cuisson sous pression ; des dégagements de vapeur et d'eau chaude pourraient survenir pendant le processus.

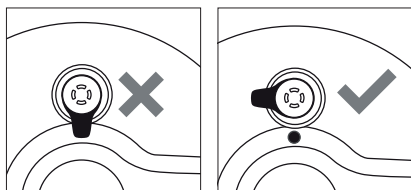
## MODE CUISSON LENTE MANUELLE

Le réglage CUISSON LENTE correspond à une cuisson longue à basse température. Ce mode de cuisson est idéal pour désagréger les morceaux de viande trop durs et relever les saveurs.

1. Sélectionnez la Cuisson lente  sur l'interface.
2. L'écran LED indique la température prééglée pour le type d'aliment

sélectionné. Vous pouvez cependant régler la température à la hausse ou à la baisse à l'aide des boutons **PRESSION/TEMPÉRATURE (+/-)**. Il y a deux pré-réglages de la température : **ÉLEVÉE** et **BASSE**.

3. L'écran LED indique le temps de cuisson pré-réglé pour l'aliment sélectionné. Vous pouvez ajuster le temps de cuisson à l'aide des boutons prévus à cet effet (+/-). Le temps peut être ajusté entre 2 et 12 heures.
4. Le voyant **MAINTIEN AU CHAUD** s'allume automatiquement à l'issue du cycle de **CUISSON LENTE**. Appuyez sur le bouton **MAINTIEN AU CHAUD** sur le panneau de commande pour activer ou désactiver cette fonction.
5. Placez les aliments dans le récipient de cuisson amovible. Veillez à ce que l'ensemble d'aliments et de liquide dans le bol atteignent au moins 1 litre.
6. Fermez et verrouillez le couvercle.
7. Tournez la soupape de décompression en position ouverte.



8. Appuyez sur **DÉMARRER** pour commencer la cuisson. Le bouton **DÉMARRER/ARRÊTER** s'illuminera en orange.
9. La minuterie s'affiche et se lance. Le temps peut être ajusté pendant le cycle de cuisson sous pression à l'aide des boutons **DURÉE (+/-)**. Le cycle de cuisson peut être suspendu à tout moment par simple pression sur le bouton **DÉMARRER/ARRÊTER**. Il est possible d'ajuster les réglages de cuisson en mode pause. En appuyant une nouvelle fois sur le bouton **DÉMARRER/ARRÊTER**, vous relancerez la cuisson avec les nouveaux réglages.

## REMARQUE

Pour libérer la vapeur en mode pause, appuyez longuement sur le bouton **dégagement vapeur**. Lors d'une cuisson lente, il se peut que la pression engendrée à l'intérieur rende l'ouverture du couvercle difficile. Dans ce cas, appuyez sur le bouton **DÉGAGEMENT VAPEUR** jusqu'à ce que toute la pression interne soit évacuée. L'appareil pourra ensuite être ouvert.

10. À l'issue du cycle de cuisson lente, l'appareil passera automatiquement en mode **MAINTIEN AU CHAUD**. Le voyant **MAINTIEN AU CHAUD** s'allume et la minuterie lance son décompte jusqu'à un maximum de 6 heures. Le cycle de maintien au chaud peut être suspendu à tout moment par simple pression sur le bouton **DÉMARRER/ARRÊTER**.
11. Si la fonction **MAINTIEN AU CHAUD** n'a pas été sélectionnée, le signal sonore retentira et l'éclairage orange **DÉMARRER/ARRÊTER** s'éteindra.
12. Après 5 minutes d'inactivité, l'appareil passe en mode veille. Le voyant s'éteindra.

## ASTUCES POUR LA CUISSON SOUS PRESSION ET LENTE

### Soupe

- Le réglage **CUISSON SOUS PRESSION ET LENTE** pour **SOUPE** est idéal pour préparer une grande variété de soupes, du bouillon léger aux minestrone bien garnis en passant par les veloutés de légumes.
- Utilisez le réglage **SAUTER/SAISIR** pour faire dorer la viande et adoucir les arômes avant la cuisson.
- Pour un temps de cuisson sous pression plus court, ajoutez de l'eau froide/du bouillon dans le récipient lors de la phase **SAUTER** ou **SAISIR** et laissez mijoter avec de lancer la cuisson sous pression.
- Ne remplissez pas trop le récipient de cuisson. Le volume total de la soupe ne doit pas dépasser le niveau « **MAX** » indiqué à l'intérieur du récipient de cuisson amovible.

## Bouillon

- Le réglage CUISSON SOUS PRESSION ET LENTE pour BOUILLON est idéal pour préparer toute sorte de bouillons, y compris au poulet, au bœuf et aux légumes.
- Pour préparer un bouillon brun, utilisez le réglage SAUTER/SAISIR pour faire dorer les os et les légumes avant la cuisson sous pression ou la cuisson lente.
- Les légumes tels que les oignons, les carottes et le céleri doivent être coupés en gros morceaux. Cela vous permettra de filtrer votre préparation plus facilement après la cuisson et d'obtenir un bouillon clair.
- Pour un temps de cuisson sous pression plus court, ajoutez de l'eau froide dans le récipient lors de la phase SAUTER/SAISIR et laissez mijoter avec de lancer la cuisson sous pression.
- Ne remplissez pas trop le récipient de cuisson. Le volume total de l'eau, des os et/ou des arômes ne doit pas dépasser le niveau « MAX » indiqué à l'intérieur du récipient de cuisson amovible.

## Viande

- Le réglage CUISSON SOUS PRESSION ET LENTE pour VIANDE utilise une pression et une température élevées pour dissoudre les tissus conjonctifs afin d'attendrir la viande et la rendre succulente. Les sauces deviennent épaisses et bien élaborées.
- Choisissez des morceaux de viande bien marbrés pour obtenir une saveur et une texture supérieures.
- Coupez les gros morceaux de viande en 2 ou 3 morceaux pour les disposer avec aisance dans le récipient de cuisson.
- Utilisez le réglage SAUTER/SAISIR pour faire dorer la viande par lots avant la cuisson.
- Contrairement à la cuisson à l'étuvée ou au braisage, la cuisson lente sous pression n'engendre presque aucune évaporation. Pour des plats très parfumés, utilisez moins de liquide qu'indiqué dans les recettes traditionnelles, maximum 1 à 1 ½ tasse (250 à 375 ml).

- Ne remplissez pas trop le récipient de cuisson. Le volume total des ingrédients avant cuisson ne doit pas dépasser le niveau « MAX » indiqué à l'intérieur du récipient de cuisson amovible.

## Ragoût

- Le réglage CUISSON SOUS PRESSION ET LENTE pour RAGOÛT est idéal pour la préparation de la viande hachée, des viandes en sauce et des ragoûts bien garnis.
- Utilisez le réglage SAUTER/SAISIR pour faire dorer la viande et adoucir les arômes avant la cuisson.
- Contrairement aux méthodes traditionnelles de cuisson à la cuisinière, la cuisson lente sous pression ne provoque presque aucune évaporation. Pour des chilis con carne et des ragoûts épais, utilisez moins de liquide qu'indiqué par les recettes traditionnelles. Utilisez le réglage RÉDUIRE après la cuisson pour épaissir les aliments trop flasques.
- Ne remplissez pas trop le récipient de cuisson. Le volume total des ingrédients avant cuisson ne doit pas dépasser le niveau « MAX » indiqué à l'intérieur du récipient de cuisson amovible.

## Légumineuses

- Le réglage CUISSON SOUS PRESSION ET LENTE pour LÉGUMINEUSES est idéal pour cuire tous types de légumineuses, lentilles et légumes secs.
- La cuisson des légumineuses et autres légumes secs peut produire beaucoup de mousse. Pour vous assurer que la mousse n'interfère pas avec la soupape de dégagement vapeur, vous pouvez sélectionner le préréglage dégagement vapeur NATUREL.
- Le temps de cuisson est calculé pour des légumes secs non trempés. Pour réduire le temps de cuisson, laissez tremper les légumes secs dans de l'eau froide pendant la nuit. Jetez l'eau de trempage et faites cuire à l'eau froide pendant la moitié du temps de cuisson préréglé.

- Pour chaque portion de légumes secs, ajoutez 3 portions d'eau.
- Les légumes secs et les légumineuses gonflent et doublent de taille pendant la cuisson. Ne remplissez pas trop le récipient de cuisson. Le volume total des légumes secs et de l'eau avant cuisson ne doit pas dépasser le niveau « ½ » indiqué à l'intérieur du récipient de cuisson amovible.

## Riz | Céréales

- Le paramètre CUISSON SOUS PRESSION ET LENTE pour RIZ est conçu pour cuire le riz et les céréales, afin qu'ils restent tendres et ne collent pas. Il convient à tous les types de riz, tels que le riz long grain, le riz au jasmin, le riz basmati et le riz brun.
- Si vous faites cuire du riz brun sous pression, augmentez le temps de cuisson à 20 minutes.
- Mesurez ou pesez le riz sec avec précision et lavez bien à l'eau froide jusqu'à ce que l'eau soit claire. Égouttez bien le riz puis placez-le dans le récipient de cuisson.
- Ajoutez la quantité d'eau correspondante. Pour plus d'informations, consultez le tableau de cuisson des riz/céréales et des légumineuses sur le site web de Sage.
- Après la cuisson, laissez reposer le riz pendant 5 minutes avant de remuer et servir.
- Le volume du riz triple ou double après la cuisson. Ne remplissez pas trop le récipient de cuisson. Le volume total occupé par le riz cru et le liquide ne doit pas dépasser le niveau « ½ » indiqué à l'intérieur du récipient de cuisson amovible.

## Risotto

- Le réglage CUISSON SOUS PRESSION pour RISOTTO est idéal pour préparer un risotto crémeux en un temps minimum, et sans devoir remuer en continu.
- Utilisez le réglage SAUTER/SAISIR pour attendrir les oignons et autres condiments et pour déglacer le récipient de cuisson avec du vin.
- Le secret d'un risotto crémeux consiste à faire griller les grains de riz avant d'ajouter

le liquide pour la cuisson. Utilisez le réglage SAUTER/SAISIR pour faire griller le riz en remuant régulièrement durant 3 à 5 minutes jusqu'à ce que l'extrémité des grains de riz devienne transparente, puis blanche.

- La cuisson sous pression ne permet quasiment aucune évaporation. Pour cette raison, il est important de maintenir le ratio de 1 unité de riz pour 3 unités de bouillon. Si vous ajoutez beaucoup de légumes à votre risotto, diminuez d'un tiers le volume du bouillon.
- Le volume du riz triple ou double après la cuisson. Ne remplissez pas trop le récipient de cuisson. Le volume total occupé par le riz cru et le bouillon ne doit pas dépasser le niveau « ½ » indiqué à l'intérieur du récipient de cuisson amovible.

## AUTRES PRÉRÉGLAGES :

### SAUTER/SAISIR

Ce réglage possède trois niveaux : sauter léger, sauter moyen, et saisir.

Le niveau de température sera indiqué sur le voyant de température Cuisson lente. *(Voir page 10 et la lettre M. avec le schéma du tableau de commandes)*

Le réglage SAUTER est idéal pour ramollir et caraméliser l'ail, l'oignon et les légumes avant de commencer la cuisson sous pression ou la cuisson lente. Le réglage SAUTER correspond aux niveaux de température MOYEN et FAIBLE sur l'appareil.

Le réglage SAISIR est conçu pour accentuer et raffiner le goût de vos plats en utilisant le même récipient de cuisson pour caraméliser et faire dorer les aliments avant la cuisson sous pression ou la cuisson lente. Le réglage SAISIR correspond au niveau de température ÉLEVÉE sur l'appareil.

## RÉDUIRE

Ce réglage possède trois niveaux : faible, moyen et élevé.

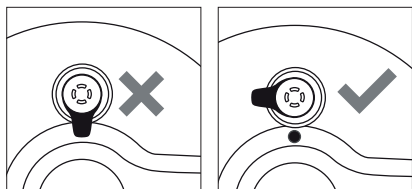
Le niveau de température sera indiqué sur le voyant de température Cuisson lente. (Voir page 10 et la lettre M. avec le schéma du tableau de commandes)

La fonction RÉDUIRE est idéale pour épaissir vos sauces, sirops et bouillons et leur donner encore plus de goût.

## VAPEUR

Le réglage VAPEUR est idéal pour cuire à la vapeur des aliments tels que des légumes, des filets de poisson et des raviolis chinois. Si la cuisson vapeur dure plus de 30 minutes, il est recommandé d'ajouter 1 verre (250 ml) d'eau chaude dans le récipient de cuisson toutes les 30 minutes afin de garantir une cuisson vapeur optimale sur toute la durée.

Pour diminuer la condensation sur la surface extérieure du couvercle et de la poignée, il est recommandé de placer la soupape de décompression en position ouverte.



## SOUS VIDE

Le réglage SOUS VIDE est idéal pour cuire des aliments au bain-marie à une température très précise.

### Qu'est-ce que le mode cuisson sous vide ?

La cuisson sous vide est une technique qui vous permet de choisir le degré de cuisson de vos aliments en faisant chauffer l'eau à une température précise. Les aliments sont placés dans un sachet en plastique alimentaire thermorésistant sans bisphénol A (BPA). Ce sachet est plongé dans l'eau et laissé à cuire selon le degré de cuisson que vous préférez, sans risquer de dessécher les aliments en les cuisant trop.

### De quoi ai-je besoin pour cuisiner des aliments avec la fonction Sous vide ?

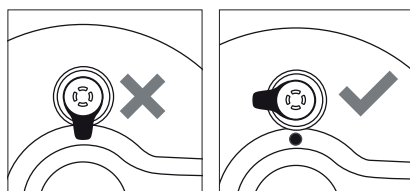
La cuisson sous vide requiert des sachets en plastique alimentaire thermorésistant et sans BPA. Vous pouvez aussi utiliser des sachets refermables si la température de cuisson est inférieure à 70 °C.

### AI-je besoin de sceller mon sachet hermétiquement ?

Il n'est pas nécessaire de sceller vos sachets hermétiquement pour utiliser la fonction SOUS VIDE. Pour des résultats optimaux, veuillez toutefois à chasser un maximum d'air hors du sachet et à garantir que l'eau ne puisse pas y pénétrer. Pour utiliser la méthode de déplacement de l'eau par scellement, placez la nourriture dans un sachet refermable doté d'une double fermeture, puis plongez progressivement la nourriture ainsi emballée dans un récipient rempli d'eau. Une fois le sachet majoritairement vidé de son air, scellez-le délicatement juste au-dessus de la ligne de surface de l'eau.

### Dois-je ouvrir ou fermer le couvercle ?

Nous recommandons d'utiliser la fonction SOUS VIDE avec le couvercle fermé et en position verrouillée, et de placer la soupape de décompression en position ouverte pour permettre une température de cuisson uniforme sur la durée.



### Quand dois-je saisir les aliments ?

Vous pouvez saisir les aliments avant ou après les avoir cuits avec la fonction SAUTER/SAISIR. Si vous saisissez les aliments en vue d'utiliser ensuite la fonction SOUS VIDE, prévoyez assez de temps pour les laisser reposer et refroidir au réfrigérateur pendant une nuit.

## Étapes pour la cuisson SOUS VIDE :

1. Remplissez le récipient de cuisson avec de l'eau froide jusqu'à atteindre la ligne MAX.  
Pour réduire le temps de préchauffage, versez de l'eau à température proche de celle souhaitée pour la cuisson.
2. Appuyez sur SOUS VIDE et définissez la température et la durée de cuisson souhaitées. Refermez le couvercle et appuyez sur DÉMARRER pour commencer à faire chauffer l'eau.
3. Placez l'aliment ou le produit dans un sachet sous vide ou un sachet refermable. Si vous ne possédez pas de sachets spécifiquement destinés au scellement sous vide, nous vous recommandons d'utiliser un sachet refermable à double fermeture.  
Ajoutez l'assaisonnement : feuilles de laurier, romarin, tranches ou zeste de citron et huile, selon votre goût.
4. Lorsque l'eau a atteint la température souhaitée (l'appareil émettra alors un bip), placez délicatement le sachet dans le bain-marie.  
Si le sachet remonte à la surface, placez le support en inox retourné de façon à maintenir le sachet entièrement submergé.
5. Refermez et verrouillez le couvercle. Assurez-vous toutefois que la soupape de décompression est en position ouverte.
6. Une fois le temps de cuisson écoulé, retirez le sachet du bain-marie.

## Température et temps de cuisson :

- FILET DE BOEUF (2,5 cm d'épaisseur) – Moyennement saignant – 54 °C pendant 1 heure
- FILET DE POULET (2,5 cm d'épaisseur) – Tendre – 65 °C pendant 45 minutes
- FILET DE SAUMON (2,5 cm d'épaisseur) – Mi-cuit – 50 °C pendant 40 minutes
- ŒUFS – œuf poché – 64 °C pendant 1 heure

## YAOURT

### Comment utiliser le raccourci automatique de la fonction yaourtière ?

#### Yaourt nature

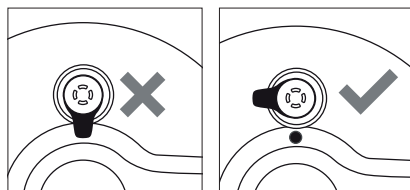
Temps de préparation : 10 minutes /  
Incubation : 8 heures (plus 1 heure  
30 minutes de refroidissement)

1 litre de lait entier homogénéisé

2 cuillères à soupe de yaourt nature entier  
avec des cultures vivantes et actives

#### ÉTAPE 1 – Faire bouillir le lait

Placez le récipient de cuisson dans le Fast Slow GO™. Incorporez le lait. Refermez et verrouillez le couvercle et placez la soupape de décompression en position ouverte.



Appuyez sur YAOURT puis sur DÉMARRER. Le lait chauffe à 83 °C et reste à cette température pendant 10 minutes.

Le processus de pasteurisation tue toutes les bactéries néfastes susceptibles d'altérer le lait et élimine les concurrents potentiels des cultures de yaourt actives.

#### ÉTAPE 2 – Refroidir le lait

Ouvrez le couvercle et n'appuyez sur aucune commande. La phase de refroidissement refroidira automatiquement le lait à 43 °C. Ce processus permet à l'appareil d'atteindre la température qui convient au développement optimal des ferments lactiques. Une température trop élevée peut tuer vos ferments. Le mot « COOL » apparaît d'abord sur l'écran de l'autocuiseur. À la fin du temps de refroidissement, l'appareil émettra un signal lorsqu'il aura atteint la bonne température, après environ 1 heure 30 minutes.



## ASTUCE

Refroidir le lait avec le couvercle ouvert entraînera la formation d'une pellicule sur le dessus. Retirez cette pellicule avant d'ajouter la culture de yaourt afin de donner une texture plus lisse à votre yaourt.

### ÉTAPE 3 – Incuber le yaourt

À la fin de l'ÉTAPE 2, le mot « ADD » (ajouter) apparaîtra sur l'écran de l'autocuiseur. Placez la culture de yaourt dans un bol. Ajoutez ½ tasse (125 ml) du lait refroidi et fouettez jusqu'à obtenir une consistance lisse. Incorporez, en fouettant, le mélange de lait au lait refroidi dans le récipient de cuisson. Fermez et verrouillez le couvercle, puis appuyez sur DÉMARRER pour incuber pendant 5 à 8 heures. Plus l'incubation est longue, plus le yaourt sera acidulé.

### ÉTAPE 4 – Réfrigérer

Lorsque l'autocuiseur émet un signal indiquant que le yaourt a fini d'incuber, retirez le récipient de cuisson, couvrez-le d'un film plastique et réfrigérez-le jusqu'à refroidissement complet. Une fois que le yaourt est complètement froid, transférez-le dans un contenant hermétique et réfrigérez-le jusqu'à 2 semaines.



## ASTUCES

- L'utilisation de lait homogénéisé permet d'obtenir un yaourt plus doux. Si votre résultat est légèrement grumeleux et séparé, fouettez délicatement le yaourt refroidi pour le mélanger.
- Pour refroidir le lait bouilli plus rapidement, placez le récipient de cuisson dans un grand bol rempli d'eau glacée. Vérifiez la température avec un thermomètre. Lorsque le lait a atteint 43 °C, ajoutez ½ tasse (125 ml) de lait refroidi au yaourt, fouettez jusqu'à consistance lisse, puis incorporez le mélange en fouettant. Nettoyez le fond du récipient de cuisson puis remettez celui-ci dans l'autocuiseur.
- Pour obtenir un yaourt plus acidulé, laissez-le incuber plus longtemps.

## MAINTIEN AU CHAUD

La fonction MAINTIEN AU CHAUD garde la nourriture assez chaude pour être servie (60 °C ou plus) jusqu'à 6 heures après la fin du cycle de cuisson. Si vous utilisez la fonction MAINTIEN AU CHAUD en mode autonome, celle-ci peut opérer jusqu'à 24 heures.

- Pour utiliser la fonction MAINTIEN AU CHAUD en mode autonome, laissez le couvercle fermé puis maintenez appuyé le bouton MAINTIEN AU CHAUD sur le tableau de commandes.
- La fonction MAINTIEN AU CHAUD peut être activée et désactivée dans les modes CUISSON SOUS PRESSION et CUISSON LENTE à l'aide du bouton MAINTIEN AU CHAUD sur le tableau de commandes. Le voyant MAINTIEN AU CHAUD s'illumine alors et le minuteur s'enclenche pour un maximum de 6 heures à partir de la fin du cycle de cuisson.



## REMARQUE

Afin de ne pas compromettre la qualité des ingrédients, il est recommandé de ne pas utiliser la fonction MAINTIEN AU CHAUD plus de 1 ou 2 heures.

## DÉMARRAGE DIFFÉRÉ

Le Fast Slow Go™ est doté d'un minuteur afin de différer le début de la cuisson jusqu'à plus de 24 heures. La fonction minuteur ne s'applique pas aux fonctions de maintien au chaud et de cuisson vapeur.

La fonction DÉMARRAGE DIFFÉRÉ est désactivée pour le pré-réglage VIANDE.



## ATTENTION

Ne laissez jamais plus de deux heures à température ambiante la viande, la volaille, les fruits de mer, les œufs ou autres aliments exigeant d'être conservés au frais. Les bactéries prolifèrent rapidement sous des températures comprises entre 4 °C et 60 °C.

Les étapes suivantes indiquent comment programmer une cuisson en différé :

- Réglez la durée du cycle de cuisson et les niveaux de température/pression selon vos préférences.
- Appuyez sur le bouton « DÉMARRAGE DIFFÉRÉ » pour activer la fonction DÉMARRAGE DIFFÉRÉ.
- L'écran affichera le délai jusqu'au démarrage différé en heures et minutes.
- Utilisez les boutons DURÉE (+/-) pour régler la durée du délai par intervalles de 15 minutes sur une durée allant jusqu'à 24 heures.
- Appuyez une nouvelle fois sur DÉMARRAGE DIFFÉRÉ pour quitter sans sauvegarder le réglage.
- Appuyez sur DÉMARRER/ARRÊTER pour appliquer les réglages de cuisson avec un démarrage différé.
- Un décompte s'enclenchera et le voyant LED de préchauffage ne s'allumera pas lors du DÉMARRAGE DIFFÉRÉ.

## AJUSTEMENT DE L'ALTITUDE

La pression augmente et s'accumule lorsque la température à l'intérieur du récipient de cuisson excède le point d'ébullition. Lorsque l'altitude augmente, la température d'ébullition de l'eau diminue du fait de la chute de la pression atmosphérique. Cela implique une modification dans l'utilisation de votre autocuiseur.

Afin d'obtenir une cuisson optimale quelle que soit l'altitude, le Fast Slow GO™ est doté d'une fonction « Ajustement à l'altitude » qui permet d'ajuster les réglages de l'appareil selon l'altitude de l'emplacement où vous vous trouvez.

1. Pour entrer une valeur d'altitude, maintenez appuyés en même temps les boutons DÉMARRAGE DIFFÉRÉ et MAINTIEN AU CHAUD pendant 2 secondes.
2. Appuyez sur les boutons DURÉE (+/-) ou sur les boutons PRESSION/TEMPÉRATURE (+/-) pour ajuster l'altitude.

3. Un afficheur à quatre chiffres apparaît, indiquant « Alt » et la valeur d'altitude associée, avec une commutation toutes les secondes.
4. Appuyez sur DÉMARRER pour confirmer et un bip sonore se fera entendre.
5. Les paramètres de l'autocuiseur sont maintenant correctement ajustés à l'altitude de l'emplacement où vous vous trouvez. Vous pouvez sauvegarder la valeur d'altitude fixée en appuyant sur n'importe quel bouton ou en quittant le mode de cuisson à la fin du décompte. Pour réinitialiser l'altitude selon les réglages d'usine, ajustez l'altitude à 0 mètre.



## REMARQUE

Vous pouvez retrouver l'altitude exacte d'un emplacement sur [www.elevationmap.net](http://www.elevationmap.net) ou en contactant le service client Sage.

## RÉGLAGE DE L'UNITÉ DE MESURE

L'unité de mesure par défaut est le Celsius (C). Pour basculer du système métrique au système impérial, maintenez les boutons PRESSION/TEMPÉRATURE (+/-) appuyés pendant 5 secondes. L'affichage indiquera alors la lettre « F », pour « Fahrenheit ». Appuyez de nouveau sur les boutons PRESSION/TEMPÉRATURE (+/-) pendant 5 secondes pour basculer vers les Celsius. L'affichage indiquera alors la lettre « C ».





## Entretien et nettoyage

Avant de nettoyer l'autocuiseur, assurez-vous que celui-ci est éteint. Débranchez la fiche de la prise électrique et retirez l'extrémité connecteur du cordon d'alimentation de la base de l'autocuiseur. Laissez l'autocuiseur et tous les accessoires refroidir complètement avant de les démonter et de les nettoyer.

Nettoyez le récipient de cuisson amovible à l'aide d'eau chaude savonneuse et d'un chiffon doux ou d'une éponge propres. Rincez à l'eau claire et séchez soigneusement.

Si vous constatez l'apparition de résidus de calcaire, mélangez deux cuillères à soupe de vinaigre blanc dans 1 verre (250 ml) d'eau chaude, versez le tout dans le récipient de cuisson et faites chauffer 10 minutes en utilisant la fonction Vapeur. Laissez ensuite refroidir et nettoyez le récipient avec une brosse à récurer.



### REMARQUE

Le récipient de cuisson amovible peut être lavé au lave-vaisselle. Cependant, nous vous recommandons de le laver à l'aide d'eau chaude savonneuse et de détergent ménager non agressif. Rincez et séchez soigneusement.

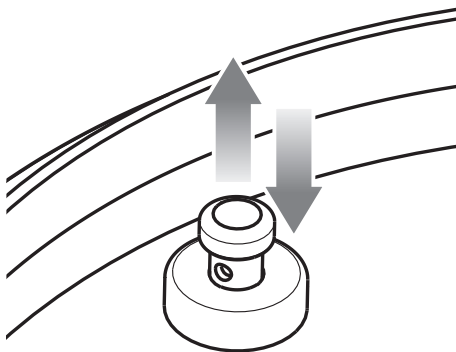


### AVERTISSEMENT

- N'utilisez pas de produits nettoyants abrasifs, d'éponges à récurer ni de laine d'acier sur l'extérieur et l'intérieur de l'appareil.
- N'immergez pas la base en métal ou le cordon d'alimentation dans l'eau ou tout autre liquide, car cela pourrait provoquer une électrocution.
- Vérifiez que le récipient de cuisson est bien positionné dans son socle avant de commencer la cuisson.

## DÉMONTER LE COUVERCLE :

- Retirez délicatement le joint en caoutchouc de silicone du porte-joint. Vérifiez périodiquement que celui-ci reste propre, flexible et n'est pas fissuré ni déchiré. Ne vous servez pas de l'appareil si le joint est endommagé.
- Nettoyez l'intérieur du couvercle à l'aide d'une éponge ou d'un chiffon mouillé et savonneux. Utilisez une brosse pour retirer les résidus graisseux si nécessaire. Nettoyez à l'aide d'un chiffon propre et humide.
- Vérifiez régulièrement que le couvercle de la soupape de décompression est propre et dépourvu de résidus d'aliments ou de liquide. Séparez le couvercle de la soupape de décompression du couvercle de l'autocuiseur. Nettoyez à l'aide d'un chiffon savonneux puis séchez. Rincez soigneusement et clipsez le couvercle à sa place.
- La soupape de décompression devra être vérifiée et nettoyée régulièrement afin d'éviter tout bourrage pouvant occasionner le blocage de la soupape de sécurité. Lavez et nettoyez tout résidu d'huile ou de nourriture. Assurez-vous que la soupape s'ouvre et se ferme aisément après le nettoyage.



## **JOINT EN CAOUTCHOUC DE SILICONE :**

- Le joint en caoutchouc de silicone doit être remplacé tous les 1 à 2 ans (renseignez-vous auprès du service client Sage le plus proche).
- Lavez le joint dans de l'eau chaude savonneuse. Rincez à l'eau claire, séchez soigneusement puis remettez-le à son emplacement d'origine.
- Le joint en caoutchouc de silicone peut être lavé dans le bac supérieur de votre lave-vaisselle pour éliminer les odeurs provenant des condiments.
- Plongez le joint en caoutchouc de silicone dans un mélange de bicarbonate de soude et d'eau afin d'aider à l'élimination des odeurs avant le nettoyage.



### **AVERTISSEMENT**

Si le joint en caoutchouc de silicone n'est pas inséré adéquatement dans le porte-joint, le couvercle ne se scellera pas correctement. Dans un tel cas de figure, l'appareil peut dysfonctionner et générer des fuites de vapeur ou de liquide chaud, entraînant des risques de brûlures.



### **ASTUCE**

Vous pouvez éliminer les odeurs de nourriture en mélangeant  $\frac{1}{2}$  verre (125 ml) de jus de citron, 1 cuillère à soupe de zeste de citron et 500 ml d'eau chaude, et en mettant le tout à cuire à pression « ÉLEVÉE » pendant 5 minutes.

## **RANGEMENT :**

- Assurez-vous que l'autocuiseur est éteint. L'autocuiseur est éteint lorsque les lumières sont éteintes sur l'afficheur.
- Débranchez le cordon d'alimentation de la prise électrique. Laissez l'autocuiseur et tous les accessoires refroidir complètement avant de les démonter et de les nettoyer.

- Assurez-vous que l'autocuiseur et que tous les accessoires sont propres et secs.
- Vérifiez que le récipient de cuisson est correctement inséré dans l'autocuiseur.
- Vérifiez que le couvercle est fermé et en position verrouillée.
- Rangez l'appareil en position verticale, droit et stable sur ses pieds de support. Ne rangez rien au-dessus de l'appareil.



## Dépannage

PROBLÈME	SOLUTION FACILE
<b>Le couvercle ne s'ouvre pas à la fin du cycle de cuisson</b>	<ul style="list-style-type: none"> <li>• Appuyez sur le bouton DÉGAGEMENT VAPEUR jusqu'à ce que toute la pression interne soit évacuée. L'appareil pourra ensuite être ouvert.</li> <li>• Si ce problème survient fréquemment, il se peut que vous deviez ajuster l'appareil à l'altitude de l'emplacement où vous vous trouvez. Suivez les instructions figurant dans la section « Ajustement de l'altitude ».</li> </ul>
<b>Le voyant LID (couvercle) clignote et le signaleur retentit.</b>	<ul style="list-style-type: none"> <li>• Tournez le couvercle dans la position adaptée pour la cuisson sous pression ou la cuisson lente.</li> </ul>
<b>De la vapeur s'échappe du couvercle</b> <b>OU</b> <b>La goupille de verrouillage de sécurité ne se relève pas</b> <b>OU</b> <b>L'autocuiseur ne se met pas sous pression</b> <b>OU</b> <b>Le minuteur ne s'enclenche pas</b> <b>OU</b> <b>L'écran affiche « SEAL »</b>	<ul style="list-style-type: none"> <li>• Assemblez correctement le couvercle en vous assurant qu'il n'y a aucun espace entre le couvercle en acier inoxydable et le bras de celui-ci. L'écrou d'étanchéité doit être solidement vissé.</li> <li>• Assurez-vous que le couvercle en silicone est propre, non endommagé, non fêlé et correctement inséré.</li> <li>• Assurez-vous que la goupille de verrouillage de sécurité peut se mouvoir aisément de haut en bas.</li> <li>• Lorsque le couvercle est verrouillé, assurez-vous que la goupille de verrouillage de sécurité est correctement alignée avec l'ouverture située sur le bras du couvercle.</li> <li>• Vérifiez que la soupape de décompression est bien en place et fait face à la poignée du couvercle.</li> <li>• Ajoutez plus de nourriture/de liquide dans le récipient de cuisson. Il doit contenir au moins 1 litre de nourriture et liquide combinés.</li> <li>• Si le problème persiste, veuillez contacter le service client Sage.</li> </ul>
<b>L'autocuiseur passe directement en mode « maintien au chaud » sans achever le cycle de cuisson</b>	<ul style="list-style-type: none"> <li>• Rajoutez de l'eau dans le récipient de cuisson et redémarrez le cycle.</li> </ul>
<b>L'appareil répand de l'eau sur le plan de travail</b>	<ul style="list-style-type: none"> <li>• Assurez-vous que l'autocuiseur se trouve sur une surface plane et que le collecteur de condensation est bien positionné à l'arrière de l'appareil. Lisez les instructions « Avant la première utilisation » en page 13 du guide du Fast Slow GO™.</li> <li>• Videz le collecteur de condensation.</li> </ul>
<b>L'écran affiche « Err »</b>	<ul style="list-style-type: none"> <li>• L'écran affiche « Err » lorsque l'appareil rencontre un problème non réinitialisable. Si cela se produit, débranchez immédiatement le cordon d'alimentation de la prise électrique et contactez le service client Sage.</li> </ul>
<b>Réinitialisation des paramètres</b>	<ul style="list-style-type: none"> <li>• Maintenez appuyés en même temps les boutons « Soupe » et « Sous vide » pendant trois secondes pour réinitialiser les réglages, y compris le niveau d'altitude.</li> </ul>



## Garantie

### **GARANTIE LIMITÉE 2 ANS**

Sage Appliances garantit ce produit pour un usage domestique sur les territoires spécifiés pendant 2 ans à compter de la date d'achat, contre les défauts de fabrication et de matériaux. Au cours de cette période de garantie, Sage Appliances s'engage à réparer, remplacer ou rembourser tout produit défectueux (à sa seule discrétion).

Tous les droits de garantie légaux en vertu de la législation nationale applicable seront respectés et ne seront pas compromis par notre garantie. Pour connaître les conditions générales complètes relatives à la garantie ou pour obtenir des instructions sur la manière de déposer une réclamation, rendez-vous sur [www.sageappliances.com](http://www.sageappliances.com).

# Déclaration à l'intention du consommateur

## SAGE FRANCE - GARANTIE LIMITÉE

Sage Appliances garantit ce produit pour un usage domestique sur les territoires spécifiés pendant 2 ans à compter de la date d'achat initiale du produit contre les défauts de fabrication et de matériaux. La période de garantie peut-être supérieure pour certains produits ou pour certaines pièces de produits. Au cours de cette période de garantie, Sage Appliances s'engage à réparer, remplacer ou rembourser tout produit défectueux (à sa seule discrétion).

Tous les droits de garantie légaux en vertu de la législation nationale applicable seront respectés et ne seront pas compromis par notre garantie. Pour connaître les conditions générales complètes relatives à la garantie ou pour obtenir des instructions sur la manière de déposer une réclamation, rendez-vous sur [www.sageappliances.com](http://www.sageappliances.com).

Les dispositions de la présente garantie ne sont pas exclusives du bénéfice, au profit de l'acheteur, de la garantie légale de conformité prévue par les articles L. 217-4 et suivants du Code de la consommation, ainsi que de la garantie des vices cachés prévue par les articles 1641 et suivants du Code civil, qui sont en tout état de cause applicables et ce même en l'absence d'application ou en cas d'exclusion de la garantie conventionnelle.

Lorsqu'il agit en garantie légale de conformité, le consommateur :

- bénéficie d'un délai de deux ans à compter de la délivrance du bien pour agir ;
- peut choisir entre la réparation ou le remplacement du bien, sous réserve des conditions de coût prévues par l'article L. 217-9 du code de la consommation ;
- est dispensé de rapporter la preuve de l'existence du défaut de conformité du bien durant les vingt-quatre mois suivant la délivrance du bien.

La garantie légale de conformité s'applique indépendamment de la garantie commerciale éventuellement consentie.

Le consommateur peut décider de mettre en œuvre la garantie contre les défauts cachés de la chose vendue au sens de l'article 1641 du Code civil ; dans cette hypothèse, il peut choisir entre la résolution de la vente ou une réduction du prix de vente conformément à l'article 1644 du Code civil.

### Article L. 217-4 du Code de la consommation :

« Le vendeur livre un bien conforme au contrat et répond des défauts de conformité existant lors de la délivrance. Il répond également des défauts de conformité résultant de l'emballage, des instructions de montage ou de l'installation lorsque celle-ci a été mise à sa charge par le contrat ou a été réalisée sous sa responsabilité. »

### Article L. 217-5 du Code de la consommation :

« Le bien est conforme au contrat : 1° S'il est propre à l'usage habituellement attendu d'un bien semblable et, le cas échéant :

- s'il correspond à la description donnée par le vendeur et possède les qualités que celui-ci a présentées à l'acheteur sous forme d'échantillon ou de modèle ;
- s'il présente les qualités qu'un acheteur peut légitimement attendre eu égard aux déclarations publiques faites par le vendeur, par le producteur ou par son représentant, notamment dans la publicité ou l'étiquetage;

2° Ou s'il présente les caractéristiques définies d'un commun accord par les parties ou est propre à tout usage spécial recherché par l'acheteur, porté à la connaissance du vendeur et que ce dernier a accepté. »

### Article L 217-12 du Code de la consommation :

« L'action résultant du défaut de conformité se prescrit par deux ans à compter de la délivrance du bien. »

### Article L 217-16 du Code de la consommation :

« Lorsque l'acheteur demande au vendeur, pendant le cours de la garantie commerciale qui lui a été consentie lors de l'acquisition ou de la réparation d'un bien meuble, une remise en état couverte par la garantie, toute période d'immobilisation d'au moins sept jours vient s'ajouter à la durée de la garantie qui restait à courir. Cette période court à compter de la demande d'intervention de l'acheteur ou de la mise à disposition pour réparation du bien en cause, si cette mise à disposition est postérieure à la demande d'intervention. »

### Article 1641 du Code de la consommation :

« Le vendeur est tenu de la garantie à raison des défauts cachés de la chose vendue qui la rendent impropre à l'usage auquel on la destine, ou qui diminuent tellement cet usage que l'acheteur ne l'aurait pas acquise, ou n'en aurait donné qu'un moindre prix, s'il les avait connus. »

### Article 1648, al.1er du Code civil :

« L'action résultant des vices rédhibitoires doit être intentée par l'acquéreur dans un délai de deux ans à compter de la découverte du vice. »





## Remarques

# *the Fast Slow GO™*

BPR680/SPR680



NL HANDLEIDING

# Sage®



## Inhoud

- 2 Sage stelt veiligheid voorop
- 10 Onderdelen
- 11 Bedieningspaneel
- 12 Voorinstellingen
- 13 Kookstanden
- 14 Functies
- 25 Onderhoud en reiniging
- 27 Problemen oplossen
- 28 Garantie

## SAGE STELT VEILIGHEID VOOROP

**Bij Sage® gaan we zeer veiligheidsbewust te werk. Bij het ontwerpen en produceren van onze consumentenproducten staat de veiligheid van onze gewaardeerde klanten voorop. Daarnaast vragen wij u voorzichtig om te gaan met elektrische apparaten en de volgende voorzorgsmaatregelen in acht te nemen.**

## BELANGRIJKE VEILIGHEIDS- MAATREGELEN

### LEES ALLE INSTRUCTIES VÓÓR GEBRUIK EN BEWAAR DEZE VOOR TOEKOMSTIGE NASLAG

- U kunt dit document ook downloaden via [sageappliances.com](http://sageappliances.com)
- Kinderen uit de buurt van de snelkookpan houden wanneer deze in gebruik is.
- De snelkookpan niet in een verwarmde oven zetten.
- De snelkookpan met de grootste zorg verplaatsen. Hete oppervlakken niet aanraken. De hendels en knoppen gebruiken. Indien nodig, bescherming gebruiken.



### WAARSCHUWING

De snelkookpan alleen voor het beoogde doel gebruiken. Dit apparaat staat bij het koken onder druk. Verkeerd gebruik



van de snelkookpan kan tot verbrandingen leiden. Controleren of de snelkookpan goed is gesloten, voordat u deze verwarmt. Zie de instructies voor 'Snelkoken' in dit boek.

- De snelkookpan nooit geforceerd openen. De pan niet openen, voordat u heeft gecontroleerd of de interne druk volledig is gedaald. Zie de instructies voor 'Stoomvrijgave' in dit boek.
- De snelkookpan niet openen, totdat de druk voldoende is gedaald.
- De snelkookpan nooit gebruiken zonder water toe te voegen. Het apparaat kan hierdoor ernstig beschadigd raken.
- De snelkookpan tot niet meer dan 2/3 van de capaciteit vullen. Wanneer u etenswaren kookt die tijdens het koken uitzetten, zoals

rijst of gedroogde groenten, de kookpan maximaal tot de helft van zijn capaciteit vullen.

- De vereiste verwarmingsbron voor het kookproces is in het apparaat opgenomen.
- Bereidt u vlees met een vel (bijv. rundertong) dat onder druk kan opzwellen, na het koken niet in het vlees prikken terwijl het vel gespannen staat. Er bestaat gevaar voor verbranding.
- Het oppervlak van het verwarmingselement blijft na gebruik warm.
- Wanneer u gerechten met een dikke of deegachtige textuur bereidt, beweeg de kookpan dan voorzichtig heen en weer nadat de stoom is vrijgegeven. Geef, indien nodig, opnieuw stoom vrij voordat u het deksel opent om te voorkomen dat er eten wegspat.

- Controleer vóór elk gebruik of er geen verstoppingen in de ventielen zijn. Zie de gebruiksinstructies.
- De snelkookpan nooit onder druk gebruiken om te frituren of etenswaren te bakken of te braden als in een koekenpan.
- Voer geen wijziging uit in de veiligheidssystemen, die verder gaan dan de in de gebruiksinstructies vermelde onderhoudsinstructies.
- Reserveonderdelen van Sage® alleen voor het relevante model gebruiken. Gebruik met name behuizingen en deksels van Sage® die zijn aangeduid als compatibel.
- Zorg er vóór het eerste gebruik voor dat uw elektriciteitsvoorziening dezelfde is als die op het label aan de onderkant van het apparaat. Als u zich zorgen maakt, neem dan contact op met uw plaatselijke elektriciteitsbedrijf.
- Verwijder het verpakkingsmateriaal en eventuele promotielabels en gooi ze op een veilige manier weg vóór gebruik.
- Gooi het beschermkapje op de stekker van dit apparaat op een veilige manier weg om verstikkingsgevaar bij jonge kinderen te voorkomen.
- Controleer vóór gebruik altijd of het apparaat op de juiste manier in elkaar is gezet. Volg de instructies in deze gids.
- Verbind altijd eerst het netsnoer met het apparaat, voordat u de stekker in het stopcontact steekt. Zorg ervoor dat de ingang op het apparaat volledig droog is, voordat u het netsnoer aansluit.
- Voorkom morsen op de connector.

- Hete oppervlakken niet aanraken. De oppervlakken van het apparaat zijn tijdens en na het gebruik heet. Gebruik, indien beschikbaar, altijd beschermende pannelappen, ovenwanten, handgrepen of knoppen om brandwonden of persoonlijk letsel te voorkomen.
- Plaats het apparaat tijdens gebruik niet op de rand van een aanrecht of tafel. Zorg ervoor dat het oppervlak droog, vlak, schoon en vrij van water en andere stoffen is.
- Kookapparatuur moet stabiel worden geplaatst door de handgrepen (indien aanwezig) goed vast te zetten om morsen van de hete vloeistoffen te voorkomen.
- Gebruik het apparaat altijd op een stabiel en hittebestendig oppervlak. Gebruik het apparaat niet op een oppervlak dat met stof is bedekt en plaats het op ten minste 20 centimeter afstand van muren, gordijnen, stof en andere hittegevoelige materialen.
- Plaats het apparaat niet op of in de buurt van een heet gasfornuis of elektrische kookplaat, of ergens waar het apparaat in contact zou kunnen komen met een verwarmde oven.
- Gebruik het apparaat niet op het afdruipegedeelte van een gootsteen.
- Zet de kookpan tijdens het koken niet op een stenen werkblad. Het werkblad kan gevoelig zijn voor ongelijkmatig verdeelde warmte en barsten als het plaatselijk wordt verhit. Als u de kookpan op het werkblad wilt gebruiken voor slowcooking, leg er dan een snijplank of een hittebestendige mat onder.

- Plaats geen andere voorwerpen dan het deksel op de kookpan wanneer deze in elkaar gezet, in gebruik of opgeborgen is.
- De handgreep van het deksel niet gebruiken om het apparaat te dragen.
- Zorg ervoor dat de basis van de pan en de basis van het apparaat droog zijn door deze met een zachte, droge doek af te vegen, voordat u de uitneembare kookpan in de roestvrijstalen basis plaatst.
- Gebruik de uitneembare kookpan niet wanneer deze beschadigd is. Voor gebruik vervangen.
- Plaats etenswaren of vloeistoffen niet rechtstreeks in de roestvrijstalen basis. Alleen de uitneembare kookpan is geschikt voor etenswaren en vloeistoffen.
- Controleer voor gebruik altijd het ontluchtingsventiel en de veiligheidsborgpen op verstoppingen en maak deze, indien nodig, schoon. Controleer of de veiligheidsborgpen soepel onder het deksel uit kan bewegen.
- Het ontluchtingsventiel tijdens gebruik niet aanraken.
- Alleen de aanbevolen knop STEAM RELEASE gebruiken om de druk in de kookpan na gebruik te verminderen.
- Laat het apparaat niet onbeheerd achter tijdens gebruik.

### **BELANGRIJKE VEILIGHEIDSMATREGELEN VOOR ALLE ELEKTRISCHE APPARATEN**

- Gebruik dit apparaat niet als het is versleten, gevallen of op enigerlei wijze beschadigd.
- Wikkel het netsnoer volledig af voordat u het apparaat gebruikt.

- Zorg dat het netsnoer niet over de rand van een aanrecht of tafel hangt, in aanraking komt met hete oppervlakken of in de knoop raakt.
- Sluit het netsnoer uitsluitend aan op een stopcontact van 220-240 V.
- Zet het apparaat altijd UIT, haal de stekker uit het stopcontact en laat alle onderdelen afkoelen voordat u het apparaat verplaatst, wanneer het apparaat niet in gebruik is, voordat u het reinigt en wanneer u het opbergt.
- Het apparaat mag alleen worden gebruikt door kinderen van 8 jaar of ouder en personen met beperkte fysieke, zintuiglijke of mentale capaciteiten of een gebrek aan ervaring en kennis, als zij worden begeleid of instructies hebben gekregen over het veilige gebruik van het apparaat en de gevaren ervan begrijpen.
- Laat kinderen niet met het apparaat spelen.
- Kinderen mogen het apparaat niet reinigen of onderhouden tenzij zij ouder zijn dan 8 jaar en begeleid worden.
- Houd het apparaat en het snoer buiten het bereik van kinderen jonger dan 8 jaar.
- Het wordt aanbevolen om het apparaat regelmatig te inspecteren. Gebruik het apparaat niet als het netsnoer, de stekker of het apparaat op enigerlei wijze beschadigd is. Neem contact op met de klantenservice van Sage of ga naar [sageappliances.com](http://sageappliances.com) als er sprake is van schade of als er ander onderhoud dan reiniging is vereist.

- Het gebruik van opzetstukken die niet door Sage® worden verkocht of aanbevolen, kan brand, elektrische schokken of letsel veroorzaken.
  - Dit apparaat is alleen voor huishoudelijk gebruik. Gebruik dit apparaat alleen voor het beoogde gebruik. Gebruik het niet in bewegende voertuigen of boten. Gebruik het niet buitenshuis. Verkeerd gebruik kan tot letsel leiden.
  - Dit apparaat is niet ontworpen voor bediening met behulp van een externe timer of een afzonderlijk afstandsbedieningssysteem.
  - Het wordt aanbevolen een aardlekschakelaar te installeren voor extra veiligheid bij het gebruik van elektrische apparaten. Het is raadzaam om een veiligheidsschakelaar met een aardlekstroom van niet meer dan 30 mA te installeren in het elektrische circuit dat het apparaat voedt. Raadpleeg uw elektricien voor professioneel advies.
-  Dompel het netsnoer, de stekker of het apparaat niet onder in water of een andere vloeistof om elektrische schokken te vermijden.
-  Het weergegeven symbool geeft aan  dat dit apparaat niet met het normale huishoudelijk afval mag worden weggegooid. Het moet naar een geschikt plaatselijk afvalverwerkingscentrum worden gebracht of naar een provider die deze service biedt. Neem voor meer informatie contact op met uw gemeente.

# SPECIFICATIE

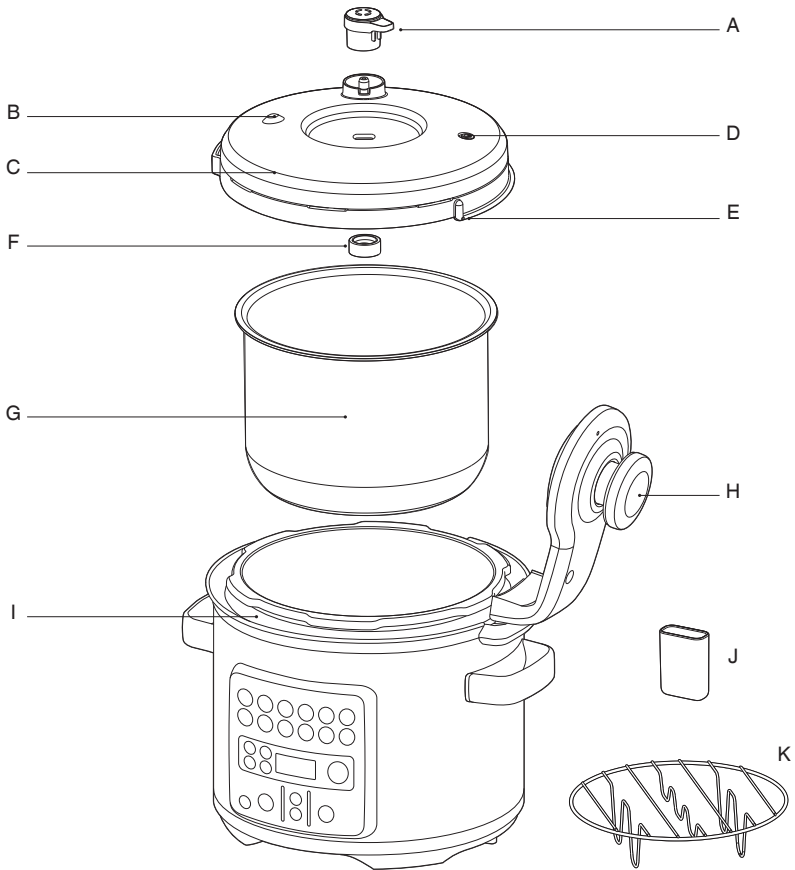
Model	SPR680
Nominaal volume	6 liter
Bruikbaar volume	4 liter
Werkdruk	80 kPa
Verwarmingsbron	Elektrisch verwarmingselement

Deze specificaties kunnen zonder voorafgaande kennisgeving worden gewijzigd.

**ALLEEN VOOR HUISHOUDELIJK  
GEBRUIK  
BEWAAR DEZE INSTRUCTIES**



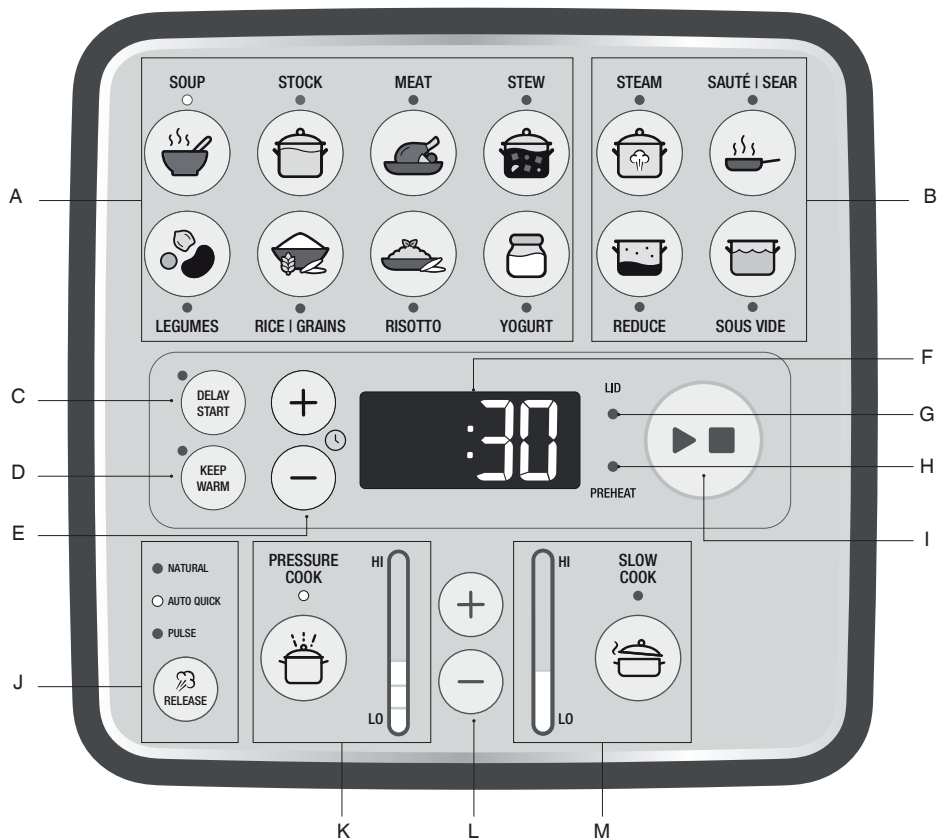
## Onderdelen



- A. Ontluchtingsventiel  
Regelt automatisch hoe snel stoom van de kookpan wordt vrijgegeven
- B. Drukventiel
- C. Vaatwasserbestendig verwijderbaar deksel
- D. Veiligheidsborgpen  
Pen springt omhoog wanneer de druk wordt bereikt en werkt daarmee als veiligheidsvergrendeling
- E. Siliconen afdichting van het deksel  
Eenvoudige montage voor probleemloze bevestiging en reiniging
- F. Afdichtingsmoer
- G. Uitneembare kookpan van 6 liter
- H. Hendel van deksel
- I. Eenvoudig te reinigen geultje  
Vangt condensatiedruppels op voor snelle reiniging zonder knoeien.
- J. Opvangbakje voor condensatie
- K. Roestvrijstalen rekje  
Houdt etenswaren boven vloeistof voor roosteren en stomen.



## BEDIENINGSPANEEL



- A. Voorinstellingen met controlelampjes
- B. Kookstanden met controlelampjes
- C. DELAY START
- D. KEEP WARM
- E. Regelknoppen voor TIJD (+/-)
- F. Led-display
- G. Waarschuwinglampje voor vergrendeling/ontgrendeling van deksel
- H. Voorverwarmingslampje
- I. Knop STARTEN/ANNULEREN

- J. Stoomvrijgaveknop met indicator voor modusselectie
- K. PRESSURE COOK met controlelampje  
Drukkniveau-indicator voor de snelkookmodus
- L. Regelknoppen voor DRUK/TEMPERATUUR (+/-)
- M. SLOW COOK met controlelampje  
Temperatuurlampje voor de modus Slowcooking

**CE** Classificatiegegevens:  
220-240 V ~50-60 Hz 900-1100 W

## VOORINSTELLINGEN

### INSTELLING: SNELKOKEN

VOEDSELMENU	STANDAARD VOORINSTELLING	BEREIK
Soep	50 kPa - ca. 110 °C 30 MIN AUTO QUICK	10 kPa – 80 kPa Max. 2 UUR
Bouillon	80 kPa - ca. 116 °C 1 UUR AUTO QUICK	10 kPa – 80 kPa Max. 2 UUR
Vlees	80 kPa - ca. 116 °C 1 UUR AUTO QUICK	10 kPa – 80 kPa Max. 2 UUR
Stoven	60 kPa - ca. 112 °C 1 UUR AUTO QUICK	10 kPa – 80 kPa Max. 2 UUR
Peulvruchten	80 kPa - ca. 116 °C 30 MIN NATURAL	10 kPa – 80 kPa Max. 2 UUR
Rijst   Granen	50 kPa - ca. 110 °C 10 MIN AUTO PULSE	10 kPa – 80 kPa Max. 2 UUR
Risotto	40 kPa - ca. 108 °C 7 MIN AUTO QUICK	10 kPa – 80 kPa Max. 2 UUR

### INSTELLING: SLOWCOOKING

VOEDSELMENU	STANDAARD VOORINSTELLING	BEREIK
Soep	HOOG - 95 °C 4 UUR KEEP WARM	Tijd: 2-12 UUR Temp: Hoog - laag Warmhouden: aan/uit
Bouillon	HOOG - 95 °C 4 UUR KEEP WARM	Tijd: 2-12 UUR Temp: Hoog - laag Warmhouden: aan/uit
Vlees	LAAG - 90 °C 8 UUR	Tijd: 2-12 UUR Temp: Hoog - laag Warmhouden: aan/uit
Stoven	LAAG - 90 °C 8 UUR	Tijd: 2-12 UUR Temp: Hoog - laag Warmhouden: aan/uit
Peulvruchten	HOOG - 95 °C 6 UUR	Tijd: 2-12 UUR Temp: Hoog - laag Warmhouden: aan/uit

<b>YOGHURT</b>	Fase 1	Fase 2	Fase 3	Tijd: 8-16 UUR
	Verwarmen	Afkoelen*	Incuberen	Temp: n.v.t.
	10 MIN.	Tot 3 uur	8 uur	Warmhouden:
	Temp: 83 °C	Temp: van 83 °C tot 43 °C	Temp: 43 °C	n.v.t.
	WARMHOUDEN UIT	WARMHOUDEN UIT	WARMHOUDEN UIT	

**\*Afkoeltijd met het deksel open (voor 2 liter melk):**

Het kan 1 uur en 20 minuten duren om de temperatuur van 83 °C naar 43 °C te laten zakken

Afkoeltijd met het deksel gesloten (voor 2 liter melk):

Het kan 3 uur duren om de temperatuur van 83 °C naar 43 °C te laten zakken

## KOOKSTANDEN

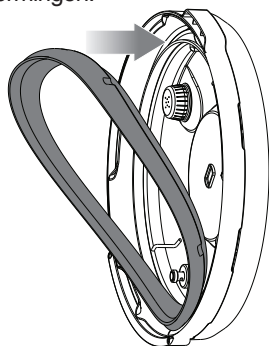
INSTELLING	VOORINSTELLING TIJD/TEMP	BEREIK
<b>SAUTE / SEAR</b>	OPTELLEN TIJD	Temp: Hoog - (Sear) 168 °C Medium - (Sauté) 150 °C Laag - (Sauté) 130 °C
		Tijd: n.v.t Warmhouden: alleen uit
<b>REDUCE</b>	HOOG 10 MIN	Temp: Laag - 105 °C Medium - 115 °C Hoog - 130 °C
		Tijd: 1 MIN – 2 UUR Warmhouden: aan/uit
<b>STEAM</b>	15 MIN	Temp: 100 °C
		Tijd: 1 MIN – 1 UUR Temp: n.v.t Warmhouden: alleen uit
<b>SOUS VIDE</b>	1 UUR	Temp: 57 °C
		Tijd: 1 MIN – 24 UUR Temp: 30 °C - 90 °C Warmhouden: n.v.t.
<b>KEEP WARM</b>	2 UUR OPTELLEN TIJD	Temp: 70 °C



## Functies

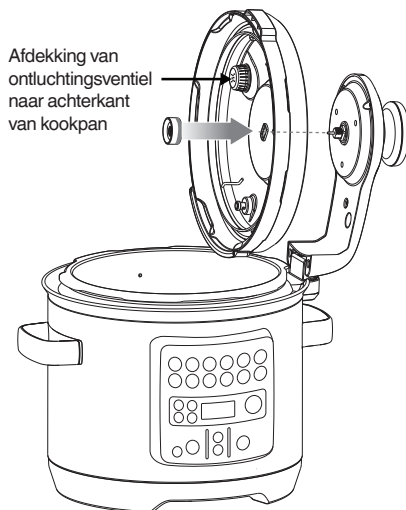
### VOOR HET EERSTE GEBRUIK

1. Verwijder verpakkingsmaterialen, promotielabels en tape van de kookpan en gooi ze op een veilige manier weg.
2. Open het deksel door de knop van het deksel tegen de wijzers van de klok in te draaien en het deksel op en weg van het apparaat te tillen tot het in de open stand staat. Schroef de afdichtingsmoer in het midden van het deksel los en verwijder deze. Til vervolgens het deksel op om het van de hendel van het deksel te verwijderen.
3. Was de uitneembare kookpan en de siliconen afdichting van het deksel af in heet zeepsop. Vervolgens goed afspoelen en afdrogen. Veeg de binnen- en buitenkant van de basis met een zachte, vochtige doek schoon. Goed afdrogen.
4. Breng de siliconen afdichting van het deksel goed aan rond de draadring aan de onderkant van het deksel. Pas de positie, indien nodig aan, zodat de ring goed op zijn plaats zit zonder vervormingen.



5. Plaats het deksel als volgt terug. Houd het deksel vast met de behuizing van het stoomontluchtingsventiel naar de achterkant van de eenheid. Lijn vervolgens het midden van het deksel uit met de bout aan de onderkant van de hendel en duw deze op zijn plaats, zodat de schroefdraad zichtbaar wordt.

Zet het deksel vast door de afdichtingsmoer op te schroeven tot de rode afdichting het oppervlak van het deksel raakt.



Afdekking van ontluchtingsventiel naar achterkant van kookpan

6. Maak de bodem van de uitneembare kookpan en de temperatuursensor schoon en droog deze af. Zorg ervoor dat er zich geen ongewenste materialen op het oppervlak bevinden. De uitneembare kookpan moet vlak tegen de temperatuursensor liggen om goed contact te verzekeren.
7. Klik het opvangbakje voor condensatie op zijn plaats.
8. Steek het uiteinde met de connector in de basis van de kookpan. Zorg ervoor dat dit volledig droog is. Steek de stekker in een (geaard) stopcontact van 230/240 volt.
  - Stel de hoogte in (boven zeeniveau) - apparaat geeft Set - Alt - (afstand) - meters weer.
  - Druk op de knoppen TIME (+/-) om de hoogte binnen een bereik van 0 tot 2000 meter aan te passen.
  - Druk op START om te bevestigen
9. Het signaal van de kookpan klinkt en de led gaat branden.
10. Het is raadzaam een kookcyclus van 15 minuten met water te doorlopen om

beschermende stoffen in de kookpan en op het verwarmingselement te verwijderen.



## OPMERKING

De snelkookpan mag niet worden gebruikt op een hoogte van meer dan 2000 m. Op grotere hoogten zijn langere kooktijden nodig om de beste resultaten te bereiken. Voor deze hooggelegen gebieden wordt, verleng uw kooktijd indien nodig om het gewenste voedsel resultaat te bereiken.



## WAARSCHUWING

Gebruik alleen de kookpan die voor dit apparaat is bedoeld; het gebruik van pannen die niet bij dit toestel zijn geleverd, leidt tot een probleem dat niet kan worden verholpen door het apparaat te resetten.

## INSTELLINGEN BEDIENINGSPANEEL

De Fast Slow GO™ heeft zes voorinstellingen voor koken; Pressure Cook (snelkoken), Slow Cook (slowcooking), Reduce (inkoken), Sauté/Sear (sauteren/dichtschroeien), Steam (stomen) en Sous Vide. Er zijn ook 8 voorinstellingen voor gerechten: Soup (soep), Stock (bouillon), Meat (vlees), Stew (stoven), Legumes (peulvruchten), Rice/Grains (rijst/granen), Risotto en Yoghurt.

## VOORINSTELLINGEN

Op het bedieningspaneel staan 8 voorinstellingen voor gerechten waaruit u gemakkelijk kunt kiezen.

Wanneer u op een van de 8 voorinstellingen drukt, worden de standaardinstellingen gebruikt om de beste resultaten voor dat specifieke soort gerecht te bereiken. Dit omvat het omschakelen naar de modus PRESSURE COOK of SLOW COOK.

Afhankelijk van de kookstand, worden de niveaus voor DRUK of TEMPERATUUR, de kooktijd en de stoomvrijgavemodus aangepast en de knop KEEP WARM in- en uitgeschakeld.

De kooktijd, KEEP WARM of DELAY START, kunnen allemaal worden aangepast terwijl de geselecteerde voorinstelling actief blijft. Bij een verandering van de druk- of temperaturniveaus of de instelling voor ontluchting (afhankelijk van de modus waarin het product zich bevindt), wordt het toestel echter in de aangepaste modus gezet.



De tabel hieronder geeft aan dat, wanneer u het voedselmenu selecteert, bepaalde gerechten kunnen worden gekookt door op PRESSURE COOK of SLOW COOK te drukken.

VOEDSELMENU	SNEL-KOKEN	SLOW-COOKING
Soep	✓	✓
Bouillon	✓	✓
Vlees	✓	✓
Stoven	✓	✓
Peulvruchten	✓	✓
Rijst/granen	✓	✗
Risotto	✓	✗
Yoghurt	✗	✓

## EENVOUDIGE VOORAF INGESTELDE STAPPEN

bijv.

**SOUP** 

- Druk op het pictogram SOUP  op de interface.
- Op de interface wordt automatisch een functie voor snelkoken voorgesteld (indien relevant). Druk op de knop SLOW COOK  om de functie voor slowcooking te selecteren.
- Op de interface verschijnt automatisch de juiste kooktijd en het juiste drukniveau voor soep.
- Druk op knoppen + en - om de kooktijd te wijzigen.
- Druk nadat de ingrediënten zijn toegevoegd op START om het kookproces te starten.



## TIP

Als u dat wilt, kun u groenten sauteren of vlees dichtschroeien met de functie SAUTÉ/SEAR voordat u het kookproces start. Wanneer u klaar bent, drukt u op STOP om de functie SAUTÉ/SEAR te annuleren en de volgende kookstand te selecteren.




## OPMERKING

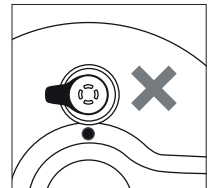
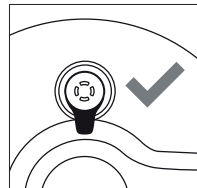
- Als u voor het eerst een snelkookpan gebruikt, kan de drukvrijgave enigszins overweldigend zijn. Houd altijd uw handen en gezicht uit de buurt van het ontluichtingsventiel, omdat de stoom met veel kracht wordt vrijgegeven (zie pagina 17 voor de beschrijving van variabele stoomvrijgave en waarschuwingen).
- Raadpleeg de sectie Voorinstellingen en Kookstanden voor aanbevelingen.
- Als geen van de lampjes voor voorinstellingen branden, staat het product in de handmatige modus. Druk op een voorinstellingsknop om de standaardinstellingen van de knop te herstellen.
- De stoom- of ontluichtingsmodus die in de vooraf ingestelde kookmodi zijn geprogrammeerd, worden geselecteerd voor de beste resultaten. Wijzigingen in de stoomvrijgavemodus kunnen ertoe leiden dat voedsel wordt gemorst.

## MODUS VOOR HANDMATIG SNELKOKEN

Snelkoken is een manier om eten te bereiden in een kleine hoeveelheid vloeistof met een deksel dat is afgedicht met een pakking. Het deksel houdt stoom binnen en laat druk opbouwen. Het is deze toename in druk die de temperatuur van de vloeistof en stoom in de pan verhoogt tot ver boven het kookpunt, waardoor levensmiddelen 70% sneller kunnen worden bereid. Dit betekent dat er minder energie wordt verbruikt wat een flinke besparing in tijd en kosten betekent. Omdat voor onder druk gekookt voedsel zeer weinig

kookvocht nodig is, blijven meer vitamines, mineralen en andere voedingsstoffen behouden en worden de natuurlijke smaken versterkt.

1. Houd de knop **PRESSURE COOK**  2 seconden ingedrukt om de modus voor handmatig snelkoken te selecteren.
2. Pas de kookdruk aan met de knoppen **DRUK/TEMPERATUUR (+/-)**. De druk kan worden ingesteld van 10 kPa (LAAG) tot 80 kPa (HOOG).
3. Het tekenje op het led-scherm geeft de vooraf ingestelde bereidingstijd voor de geselecteerde instelling aan. Pas de kooktijd aan met de knoppen **TIJD (+/-)** (naast het 4-cijferige display) om de kooktijd te verkorten of te verlengen. De tijd kan tot 2 uur worden aangepast.
4. Druk op de knop **STEAM RELEASE** om te kiezen tussen **NATURAL**, **AUTO QUICK**, en **PULSE** voor de stoomvrijgave.
5. Doe levensmiddelen in de uitneembare kookpan. Zorg dat de pan ten minste 1 liter aan voedsel en vloeistof bevat.
6. Sluit het deksel en draai de dekselknop met de klok mee om het vast te zetten. Het signaal van de kookpan klinkt wanneer het deksel is gesloten.
7. Zorg ervoor dat het ontluichtingsventiel in de gesloten positie op het deksel is geplaatst.



8. Druk op de knop **START** om het kookproces te starten. De knop **START/CANCEL** licht oranje op en het lampje bij **PREHEAT** gaat branden.



## OPMERKING

Het is normaal dat de pan kleine stoomstootjes afgeeft terwijl deze zich stabiliseert.

9. Als het deksel niet goed is vergrendeld, gaat het LID-lampje knipperen en klinkt er een geluidssignaal. Het kookproces wordt gepauzeerd, totdat het deksel in de juiste positie is geplaatst. Draai de knop van het deksel met de klok mee om het deksel te vergrendelen en het kookproces te starten.
10. Wanneer de kookpan op druk is, gaat het lampje PREHEAT uit, het kokersignaal klinkt en de timer begint af te tellen.
11. De tijd kan tijdens de snelkookcyclus worden aangepast door op de knoppen TIJD (+/-) te drukken. De cyclus kan op elk moment worden gepauzeerd door op de knop START/CANCEL te drukken. Houd de knop START/CANCEL 2 seconden ingedrukt om de cyclus te beëindigen. Als er al druk heerst in de pan, wordt de stoomvrijgavecyclus onmiddellijk geactiveerd.
12. Aan het einde van de snelkookcyclus klinkt het signaal van de kookpan. De stoom wordt dan automatisch vrijgegeven via het ontluichtingsventiel. Het stoompictogram knippert en de timer telt op.
13. Als NATURAL is geselecteerd voor stoomvrijgave, neemt de druk in de pan op natuurlijke wijze af. Stoom wordt niet door het ontluichtingsventiel geforceerd. De stoomvrijgave-instelling kan tijdens de stoomvrijgavecyclus worden gewijzigd door op de knop STEAM RELEASE te drukken.
14. Aan het einde van de cyclus klinkt het signaal van de kookpan, het display knippert en, als KEEP WARM is ingesteld, telt de timer op.
15. Open het deksel door de knop van het deksel tegen de wijzers van de klok in te draaien. Til het deksel voorzichtig omhoog tot het in de open stand staat.
16. Na 5 minuten inactiviteit wordt de stand-bymodus ingeschakeld. De led gaat uit.



## LET OP

Houd uw gezicht of handen nooit boven de kookpan wanneer u het deksel verwijderd om verbrandingen te voorkomen.



## WAARSCHUWING

Als het deksel zich niet laat ontgrendelen, staat het apparaat nog onder druk. Forceer het deksel niet bij het openen, omdat de resterende druk gevaarlijk kan zijn. Houd de knop STEAM RELEASE ingedrukt om handmatig stoom vrij te geven.

## TABEL VOOR SNELKOKEN

Raadpleeg deze tabel om de benaderings-temperatuur voor elk kPa-niveau te zien:

Drukniveau (kPa)	Temperatuur (°C)
10	102
20	104
30	106
40	108
50	110
60	112
70	114
80	116

## HANDSFREE VARIABLELE STOOMVRIJGAVE

De Fast Slow GO™ biedt 3 methoden voor stoomvrijgave:

### Auto Quick

De druk wordt snel vrijgegeven om overgaring van etenswaren of bij recepten met korte kooktijden tot een minimum te beperken.

Dit wordt alleen aanbevolen voor voedingsmiddelen die niet uitzetten of schuimen tijdens het koken.

### Pulse

De druk wordt in stoten vrijgegeven om verstoring van het eten in de pan te verminderen.

Dit wordt aanbevolen voor voedingsmiddelen die weinig of helemaal geen schuim produceren bij het koken..

### Natural


De druk in de pan neemt op natuurlijke wijze af zonder dat er stoom vrijkomt via het

ventiel. Dit om te voorkomen dat gevoelige ingrediënten, zoals bouillon en bonen, tijdens het aflaten van de druk door ruwe bewegingen in de pan worden opgebroken. De natuurlijke ontluichtingsmodus is geschikt voor alle soorten recepten.



## OPMERKING

Voor sommige ingrediënten (bijv. peulvruchten) waarvan bekend is dat ze veel schuim produceren, kan alleen de 'natuurlijke' ontluichting worden gebruikt om morsen te voorkomen.

U kunt deze opties selecteren via de knop Steam Release  op het bedieningspaneel tijdens het instellen en de stoomvrijgavecyclus. Eenmaal geselecteerd, geeft het ontluichtingsventiel de stoom automatisch vrij aan het einde van de snelkookcyclus.

Wanneer u de stoomvrijgaveknop tijdens of na een kookcyclus ingedrukt houdt, wordt het ontluichtingsventiel geopend.



## OPMERKING

De stoom- of ontluichtingsmodus die in de vooraf ingestelde kookmodi zijn geprogrammeerd, worden geselecteerd voor de beste resultaten. Wijzigingen in de stoomvrijgavemodus kunnen ertoe leiden dat voedsel wordt gemorst.




## LET OP

Houd handen en gezicht altijd uit de buurt van het ontluichtingsventiel tijdens koken onder druk, omdat tijdens de werking hete stoom en water kunnen vrijkomen.

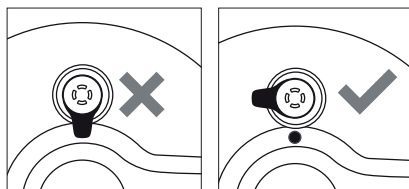
## MODUS VOOR HANDMATIGE SLOWCOOKING

De instelling SLOW COOK is ontworpen voor lange kooktijden bij lage temperaturen. Deze instelling is ook ideaal voor taaie stukken vlees en om diepe smaken te ontwikkelen.

1. Selecteer Slow Cook  op de interface.
2. Op het led-scherm wordt de vooraf ingestelde temperatuur voor het

geselecteerde levensmiddel weergegeven. U kunt echter op de knoppen PRESSURE/TEMPERATURE (+/-) drukken om de temperatuur te verhogen of verlagen. De temperatuur kan worden ingesteld op twee vooraf ingestelde temperaturen: HI - LO.

3. Op het led-scherm wordt de vooraf ingestelde kooktijd voor het geselecteerde levensmiddel weergegevend. U kunt de TIJD (+/-) aanpassen om de kooktijd te verkorten of verlengen. U kunt de tijd van 2 tot 12 uur aanpassen.
4. Het lampje KEEP WARM gaat automatisch branden na de slowcookingcyclus. Druk op de knop KEEP WARM op het bedieningspaneel om de functie te selecteren of deselecteren.
5. Doe levensmiddelen in de uitneembare kookpan. Zorg dat de pan ten minste 1 liter aan voedsel en vloeistof bevat.
6. Sluit en vergrendel het deksel.
7. Zet het ontluichtingsventiel in de open positie.



8. Druk op de knop START om het kookproces te starten. De knop START/CANCEL licht oranje op.
9. De timer wordt weergegeven en deze telt automatisch af. De tijd kan tijdens de slowcookingcyclus worden aangepast door op de knoppen TIJD (+/-) te drukken. De cyclus kan op elk moment worden gepauzeerd door op de knop START/CANCEL te drukken. U kunt de kookinstellingen in de pauzestand aanpassen. Druk nogmaals op de knop START/CANCEL om het kookproces voort te zetten met de nieuwe aangepaste instellingen.





## OPMERKING

Houd de knop voor stoomvrijgave ingedrukt om tijdens de pauze stoom af te laten.

Tijdens slowcooking kan er druk worden opgebouwd, waardoor het deksel moeilijk te openen is. Als dit gebeurt, druk dan op de knop STEAM RELEASE tot de interne druk volledig is vrijgegeven. U kunt de kookpan vervolgens openen.

10. Aan het einde van de slowcookingcyclus schakelt de kookpan automatisch om naar de warmhoudfunctie KEEP WARM. Het lampje KEEP WARM gaat branden en de timer gaat lopen tot maximaal 6 uur. U kunt de warmhoudcyclus op elk moment pauzeren door op de knop START/CANCEL te drukken.
11. Als KEEP WARM niet is geselecteerd, klinkt het signaal van de kookpan. Het oranje lampje START/CANCEL gaat uit.
12. Na 5 minuten inactiviteit wordt de stand-bymodus ingeschakeld. Het lampje gaat niet uit.

## TIPS VOOR SNELKOKEN EN SLOWCOOKING

### Soep

- De instelling PRESSURE & SLOW COOK SOUP is geschikt voor verschillende soepen, van lichte bouillons tot stevige minestrone en gepureerde groentesoepen.
- Gebruik de instelling SAUTÉ/SEAR om vlees dicht te schroeien en smaakgevers te fruiten, voordat u het kookproces start.
- Voeg koud water/koude bouillon aan de pan toe terwijl de instelling SAUTÉ of SEAR nog actief is en laat het water zachtjes aan de kook komen om de totale tijd voor koken onder druk te verkorten.
- De kookpan niet overvullen. Het totale volume van de soep mag niet boven het MAX-streepje aan de binnenkant van de uitneembare kookpan uitkomen.

### Bouillon

- De instelling PRESSURE & SLOW COOK STOCK is geschikt voor allerlei soort bouillon, zoals kip-, runder- en groentebouillon.
- Gebruik voor een basisbouillon de instelling SAUTÉ/SEAR om botten en groenten te bruinen, voordat u ze onder druk of langzaam gaart.
- Groenten, zoals uiten, wortels en selderij, moeten in grote stukken worden gesneden. Hierdoor blijft de bouillon helder en is het ook makkelijker om de bouillon te zeven wanneer deze klaar is.
- Voeg koud water toe aan de pan, terwijl de instelling SAUTÉ of SEAR nog actief is en laat het water zachtjes aan de kook komen vóór het snelkoken.
- De kookpan niet overvullen. Het totale volume aan water, botten en/of smaakgevers mag niet boven het MAX-streepje aan de binnenkant van de uitneembare kookpan uitkomen.

### Vlees

- Voor de instelling PRESSURE & SLOW COOK MEAT wordt een hoge temperatuur/druk gebruikt om bindweefsel op te lossen voor botermalse, sappige resultaten. Sauzen worden dik met een goed ontwikkelde smaak.
- Kies goed doorregen stukken vlees voor de beste smaak en textuur.
- Snijd grotere stukken vlees in 2 of 3 stukken zodat ze beter in de kookpan passen.
- Gebruik de instelling SAUTÉ/SEAR om vlees in porties aan te braden voordat u het kookproces start.
- In tegenstelling tot traditioneel stoven of smoren verdampt er bij snelkoken en slowcooking bijna niets. Gebruik voor gerechten boordevol smaak minder vloeistof dan in traditionele recepten wordt aangegeven, maximaal 250 tot 375 ml.
- De kookpan niet overvullen. Het totale volume van ongekookte ingrediënten mag niet boven het MAX-streepje aan de binnenkant van de uitneembare kookpan uitkomen.

## Stoven

- De instelling **PRESSURE & SLOW COOK STEW** is ideaal voor gehakt, vleessauzen en hartige stoofpotjes.
- Gebruik de instelling **SAUTÉ/SEAR** om vlees aan te braden en smaakgevers zacht te maken voordat u het kookproces start.
- In tegenstelling tot traditioneel koken op een fornuis verdampt er bij snelkoken en slowcooking bijna niets. Gebruik voor stevige, goedgevulde chiligerechten en stoofpotjes minder vloeistof dan aangegeven in traditionele recepten. Gebruik aan het einde de instelling **REDUCE** om gerechten die te vloeibaar zijn, in te dikken.
- De kookpan niet overvullen. Het totale volume van de ongekoekte stoofpotingrediënten mag niet boven het **MAX**-streepje aan de binnenkant van de uitneembare kookpan uitkomen.

## Peulvruchten

- De instelling **PRESSURE & SLOW COOK LEGUMES** is geschikt voor het bereiden van allerlei peulvruchten, linzen en gedroogde bonen.
- Er kan veel schuim ontstaan tijdens het koken van peulvruchten en andere bonen. De voorinstelling **NATURAL** voor stoomvrijgave zorgt ervoor dat schuim het stoomontluchtingsventiel niet hindert.
- Kooktijden zijn gebaseerd op niet geweekte droge bonen. Week de bonen een nacht in koud water om de kooktijd te verkorten. Gooi het weekwater weg en kook met vers koud water gedurende de halve vooraf ingestelde kooktijd.
- Gebruik 1 deel bonen op 3 delen water.
- Bonen en peulvruchten zwellen op en verdubbelen in omvang tijdens het koken. De kookpan niet overvullen. Het totale volume van de ongekoekte peulvruchten mag niet boven het  $\frac{1}{2}$ -streepje aan de binnenkant van de uitneembare kookpan uitkomen.

## Rijst | Granen

- De instelling **PRESSURE COOK RICE** is ontwikkeld voor het koken van rijst en granen, zodat de korrels gescheiden blijven en zacht worden. De instelling is geschikt voor alle soorten rijst, zoals langkorrelige, bruine, jasmijn- en basmatirijst.
- Verleng de tijd voor het snelkoken van bruine rijst met 20 minuten.
- Meet of weeg de droge rijst nauwkeurig af en was deze goed met koud water tot het water helder blijft. Goed laten uitlekken en in de uitneembare kookpan doen.
- Voeg de overeenkomstige hoeveelheid water toe. Raadpleeg de kooktabel voor rijst/granen en peulvruchten op de Sage-webpagina voor meer informatie.
- Laat de rijst na het koken 5 minuten in de pan staan, voordat u deze doorroert en opdient.
- Rijst verdubbelt of verdriedubbelt in volume tijdens het koken. De kookpan niet overvullen. Het totale volume van ongekoekte rijst en vloeistof mag niet boven het  $\frac{1}{2}$ -streepje aan de binnenkant van de uitneembare kookpan uitkomen.

## Risotto

- De instelling **PRESSURE COOK RISOTTO** is ideaal voor het maken van romige risotto, zonder al dat geroer en in een fractie van de tijd.
- Gebruik de instelling **SAUTÉ/SEAR** om uien en andere smaakgevers te fruiten en om de kookpan met wijn te blussen.
- Het geheim van een romige risotto is dat u de rijst even mee moet bakken voordat u de vloeistof toevoegt. Gebruik de instelling **SAUTÉ/SEAR** om de rijst 3 tot 5 minuten te bakken, totdat de randen doorzichtig en vervolgens wit worden. Roer de rijst daarbij regelmatig om.
- Tijdens snelkoken is er weinig tot geen verdamping. Het is daarom belangrijk een verhouding van 1 deel rijst op 3 delen bouillon aan te houden. Als u veel groenten aan de risotto toevoegt, verminder de hoeveelheid bouillon dan met een derde.

- Rijst verdubbelt of verdriedubbelt in volume tijdens het koken. De kookpan niet overvullen. Het totale volume van ongekookte rijst en bouillon mag niet boven het ½-streepje aan de binnenkant van de uitneembare kookpan uitkomen.

## ANDERE VOORINSTELLINGEN:

### SAUTÉ/SEAR

Deze voorinstelling heeft drie niveaus: laag sauteren, medium sauteren en dichtschroeien.

De temperatuur wordt aangegeven op het temperatuurbalkje naast Slow Cook. (zie pagina 11 - letter M. - voor illustratie van bedieningspaneel)

De instelling SAUTÉ is ideaal om knoflook, uien of groenten te fruiten en karamelliseren vóór het snelkoken of slowcooking.

De instelling SAUTÉ komt overeen met de temperatuur aanduidingen MED en LOW op uw apparaat.

De instelling SEAR is ontwikkeld om de smaak van maaltijden te verbeteren en te verdiepen door dezelfde kookpan te gebruiken voor het karamelliseren en bruinen van etenswaren vóór het snelkoken of slowcooking. De instelling SEAR komt overeen met de temperatuur aanduiding HIGH op uw apparaat.

### REDUCE

Deze voorinstelling heeft drie niveaus: laag, medium en hoog.

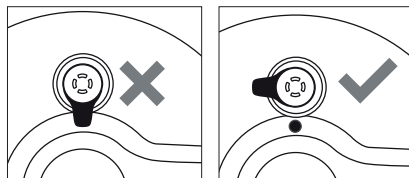
De temperatuur wordt aangegeven op het temperatuurbalkje naast Slow Cook. (zie pagina 11 - letter M. - voor illustratie van bedieningspaneel)

De instelling REDUCE is ideaal voor het indikken van sauzen, siropen en bouillons om deze nog smaakvoller te maken.

### STEAM

De instelling STEAM is ideaal voor het stomen van etenswaren zoals groenten, visfilets en dumplings. Wanneer u gerechten langer dan 30 minuten stoomt, is het raadzaam om elke 30 minuten 1 kop (250ml) warm water in de kookpan te doen voor een gelijkmatig stoomresultaat.

Om condensatie op het deksel en het handvat te voorkomen, is het raadzaam het ontluchtingsventiel open te zetten.



### SOUS VIDE

De instelling SOUS VIDE is ideaal om gerechten op een zeer specifieke temperatuur in een waterbad te koken.

#### Wat houdt sous-vide in?

Sous-vide is een kooktechniek waarmee u precies de juiste gaarheid voor etenswaren kunt verkrijgen door water tot een bepaalde temperatuur te verhitten. Ingrediënten worden in een hittebestendige, voedselveilige plastic BPA-zak geplaatst. Deze wordt vervolgens ondergedompeld en tot de gewenste gaarheid gekookt, zonder risico op uitdroging door te lang koken.

#### Wat heeft u nodig om eten met de functie SOUS VIDE te koken?

Dikke, hittebestendige, voedselveilige plastic BPA-zakken. Als de kooktemperatuur onder 70 °C blijft, kunt u ook hersluitbare zakken gebruiken.

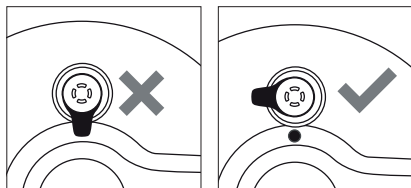
#### Moet ik de zak vacuüm trekken?

U hoeft de zakken voor SOUS VIDE niet vacuüm te trekken. Voor goede resultaten moet u er echter wel voor zorgen dat zoveel mogelijk lucht uit de zak is verwijderd en voorkomen dat er water in de zak kan komen. Om de waterverplaatsingsmethode te gebruiken doet u de ingrediënten in een dubbel-gesealde, hersluitbare zak. Laat

de zak vervolgens in een met water gevulde bak zakken. Wanneer de meeste lucht uit de zak is, sluit deze dan voorzichtig net boven de waterlijn.

### Is het deksel open of dicht?

We raden u aan de functie SOUS VIDE te gebruiken, waarbij het deksel gesloten is en in de vergrendelde positie staat, en het ontluichtingsventiel in de open stand te zetten voor een constante kooktemperatuur.



### Wanneer moet ik dichtschroeien?

U kunt etenswaren vóór en na het koken dichtschroeien met de functie SAUTÉ/SEAR. Als u dit doet, voordat u de functie SOUS VIDE gebruikt, plan dan tijd in om etenswaren te laten rusten en een nacht in de koelkast te laten koelen.

### Stappen van SOUS VIDE:

1. Vul de kookpan met koel water tot het MAX-streepje.  
Begin met water dat bijna de doeltemperatuur heeft om de voorverwarmingstijd te verkorten.
2. Druk op SOUS VIDE en stel de gewenste temperatuur en tijd in. Sluit het deksel en druk op START om het water te verwarmen.
3. Plaats het ingrediënt in een plastic zak voor sous-vide of een hersluitbare zak. Als u geen speciale gesealde zak voor sous-vide heeft, is het raadzaam een dubbel-gesealde, hersluitbare zak te gebruiken. Voeg naar wens smaakgevers toe zoals laurierblaadjes, rozemarijn, citroenschijfjes, schillen of olie.
4. Wanneer het water de gewenste temperatuur heeft bereikt (het apparaat piept één keer), plaatst u de zak voorzichtig in het waterbad. Zodra de zak blijft drijven, plaatst u het

roestvrijstalen rekje ondersteboven over de zak om deze volledig onder water te houden.

5. Sluit en vergrendel het deksel, maar zorg ervoor dat het ontluichtingsventiel open staat.
6. Haal de zak uit het waterbad als de kooktijd voorbij is.

### Temperatuur en tijd:

- RUNDERFILET (2,5 cm dik) – Medium rare – 1 uur op 54 °C
- KIPFILET (2,5 cm dik) – Gaar – 45 min. op 65 °C
- ZALMFILET (2,5 cm dik) – Medium – 40 min. op 50 °C
- EIEREN – gepocheerd ei – 1 uur op 64 °C

## YOGHURT

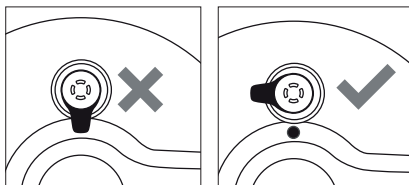
### Het automatische snelprogramma voor yoghurt gebruiken

#### Natuurlijke yoghurt

Vorbereidingstijd: 10 minuten/incuberen:  
8 uur (plus 1 uur en 30 minuten afkoelen)  
1 liter volle gehomogeniseerde melk  
2 eetlepels volle natuurlijke yoghurt met levende en actieve culturen

#### STAP 1 – Verwarm de melk

Plats de kookpan in de Fast Slow GO™. Voeg de melk toe. Sluit en vergrendel het deksel en draai het ontluichtingsventiel open.



Druk op YOGHURT en vervolgens op START. De melk wordt verwarmd tot 83 °C en wordt gedurende 10 minuten op die temperatuur gehouden.

Het pasteurisatieproces doodt alle slechte bacteriën die de melk kunnen bederven en schakelt ook potentiële concurrenten van de actieve yoghurtculturen uit.

## STAP 2 – Laat de melk afkoelen

Open het deksel en druk nergens op. Tijdens de afkoelfase wordt de melk automatisch afgekoeld tot 43 °C. Dit proces zorgt ervoor dat het apparaat de temperatuur bereikt voor optimale groei van de startculturen voor de yoghurt. Als de temperatuur te hoog is, kunnen de culturen afsterven. Eerst verschijnt het woord **KOELEN** op het scherm van de kookpan. Aan het einde van de afkoeltijd geeft de kookpan een hoorbaar signaal wanneer de juiste temperatuur is bereikt, na ongeveer 1 uur en 30 minuten.



### TIP

Door de melk met het deksel open te laten afkoelen, ontstaat er een vel op de melk. Wanneer u dit vel verwijdert voordat u de starter toevoegt, krijgt de yoghurt een gladdere textuur.

## STAP 3 – Incubeer de yoghurt

Aan het eind van STAP 2 verschijnt het woord **TOEVOEGEN** op het scherm van de kookpan. Doe de yoghurtstarter in een kom. Voeg 125 ml van de afgekoelde melk toe en klop dit tot een gladde massa. Klop het melkmengsel door de afgekoelde melk in de kookpan. Sluit en vergrendel het deksel. Druk op start om 5 tot 8 uur te incuberen. Hoe langer de incubatietijd, hoe zuurder de yoghurt zal zijn.

## STAP 4 - Plaats de yoghurt in de koelkast

Hoort u het signaal van de kookpan dat de incubatie van de yoghurt is voltooid, verwijder dan de kookpan, bedek deze met plasticfolie en zet de yoghurt in de koelkast tot deze koud is. Is de yoghurt helemaal koud, doe deze dan in een luchtdichte bak. U kunt de yoghurt tot 2 weken in de koelkast bewaren.



### TIPS

- De yoghurt krijgt een gladdere textuur als u gehomogeniseerde melk gebruikt. Als het resultaat een beetje klontertig en geschild is, klop de afgekoelde yoghurt dan voorzichtig om alles goed te mengen.

- Zet de kookpan in een grotere kom met ijswater om de verwarmde melk sneller te laten afkoelen. Controleer de temperatuur met een thermometer. Voeg 125 ml van de afgekoelde melk aan de yoghurtstarter toe wanneer de melk 43 °C heeft bereikt. Klop dit glad en klop het dan in de rest van de melk. Veeg de bodem van de pan droog en zet deze terug in de snelkookpan.
- Verleng de incubatietijd om de yoghurt zuurder te maken.

## KEEP WARM

De functie **KEEP WARM** houdt warme gerechten aan het einde van een kookcyclus tot 6 uur lang op een veilige serveertemperatuur van 60 °C of hoger. Als de functie **KEEP WARM** op zich wordt gebruikt, kan deze voor maximaal 24 uur worden gebruikt.

- Wilt u de functie **KEEP WARM** op zich gebruiken, houd dan het deksel gesloten. Druk vervolgens op de knop **KEEP WARM** op het bedieningspaneel en houd deze ingedrukt.
- De functie **KEEP WARM** kan tijdens **PRESSURE COOK** en **SLOW COOK** worden in- en uitgeschakeld met de knop **KEEP WARM** op het bedieningspaneel. Het lampje **KEEP WARM** gaat branden en de timer telt op tot maximaal 6 uur aan het einde van een kookcyclus.



## OPMERKING

Het is raadzaam de functie **KEEP WARM** niet langer dan 1 tot 2 uur te gebruiken om de kwaliteit van het eten te behouden.

## DELAY START

De **Fast Slow GO™** heeft een timerfunctie om de start van het kookproces tot 24 uur uit te stellen. Deze timerfunctie is niet van toepassing op de functies **KEEP WARM** en **STEAM**.

De functie **DELAY START** is uitgeschakeld voor de voorinstelling **MEAT**.



## LET OP

Vlees, gevogelte, zeevruchten, eieren of andere producten die gekoeld moeten worden bewaard, nooit langer dan twee uur op kamertemperatuur laten staan. Bacteriën vermenigvuldigen zich snel bij warme temperaturen tussen 4 °C en 60 °C.

In de volgende stappen wordt het programma voor koken met een uitgestelde start getoond:

- Pas de tijd van de kookcyclus en het temperatuur-/drukkniveau naar wens aan.
- Druk op de knop DELAY START om de functie DELAY START in te schakelen.
- Op het scherm verschijnt de startvertraging in uren en minuten.
- Gebruik de knoppen TIJD (+/-) om de tijdvertraging in stappen van 15 minuten tot een maximum van 24 uur in te stellen.
- Druk wanneer u maar wilt opnieuw op DELAY START om de instelling te verlaten zonder de startvertraging op te slaan.
- Druk op START/CANCEL om de huidige kookinstellingen met een uitgestelde starttijd te activeren.
- De tijd telt af en de voorverwarmings-led brandt niet tijdens DELAY START.

## HOOGTE AANPASSEN

De druk wordt opgebouwd en neemt toe wanneer de temperatuur in de kookpan boven het kookpunt komt. De temperatuur waarop water kookt, daalt naarmate u zich op hogere locaties bevindt vanwege de afname van de luchtdruk. Dit leidt tot zeer verschillende omstandigheden wanneer u een snelkookpan gebruikt.

Voor consistente kookresultaten op verschillende hoogtes, heeft de Fast Slow GO™ een functie voor hoogteaanpassing waarmee de instellingen op basis van de hoogte van uw huidige locatie worden aangepast.

1. Houd de knoppen DELAY START en KEEP WARM twee seconden tegelijk ingedrukt om de hoogte aan te passen.

2. Druk op de knoppen TIJD (+/-) of DRUK/TEMPERATUUR (+/-) om de hoogte aan te passen.
3. Op de viercijferige display verschijnt 'Alt' en een getal, dat elke seconde wisselt.
4. Druk op de knop START om te bevestigen. U hoort nu een pieptoon.
5. De instellingen van de kookpan zijn nu aangepast aan uw huidige hoogte. Druk op een willekeurige knop of sluit af na een time-out om de ingestelde hoogtewaarde op te slaan. Stel de hoogte weer in op 0 meter om deze op de fabrieksinstellingen terug te zetten.



## OPMERKING

De exacte hoogte is te vinden op [www.elevationmap.net](http://www.elevationmap.net) of door contact op te nemen met de Sage-klantenondersteuning.

## MEETEENHEID INSTELLEN

Er wordt standaard gemeten in Celsius (C). Houd de knoppen DRUK/TEMPERATUUR (+/-) 5 seconden ingedrukt om tussen metrische en imperiale eenheden om te schakelen. Op het display verschijnt dan F voor Fahrenheit. Houd de knoppen DRUK/TEMPERATUUR (+/-) opnieuw 5 seconden ingedrukt om terug te gaan naar Celsius. Op het display verschijnt dan C.



## Onderhoud en reiniging

Zorg ervoor dat de kookpan is uitgeschakeld, voordat u deze gaat reinigen. Haal de stekker van het netsnoer uit het stopcontact en haal het uiteinde met de connector uit de basis van de kookpan. Laat de kookpan en alle toebehoren volledig afkoelen, voordat u ze uit elkaar haalt en reinigt.

Was de uitneembare kookpan met warm zeepop en een zachte doek of spons. Afspoelen met schoon water en goed afdrogen.

Als er na verloop van tijd kalkaanslag ontstaat, meng dan 2 eetlepels witte azijn en 250 ml heet water in de kookpan en verwarm dit met de stoomfunctie gedurende 10 minuten. Vervolgens laten afkoelen en met een borstel schoonmaken.



### OPMERKING

De uitneembare kookpan is vaatwasserbestendig, maar het wordt aanbevolen deze af te wassen in heet water met een zacht huishoudelijk schoonmaakmiddel. Goed afspoelen en afdrogen.

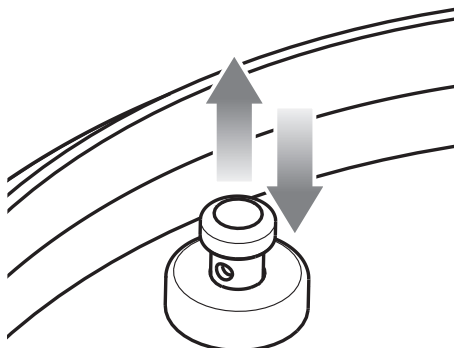


### WAARSCHUWING

- Gebruik geen schurende schoonmaakmiddelen, staalwol of schuursponsjes op de binnen- en buitenkant van het apparaat.
- Dompel de metalen basis of het netsnoer niet onder in water of een andere vloeistof. Elektrocutie kan het gevolg zijn.
- Zorg ervoor dat de uitneembare kookpan goed in de basis is geplaatst, voordat u begint.

## DEKSEL DEMONTEREN:

- Trek de siliconenrubber pakking voorzichtig onder de pakkinghouder vandaan. Controleer regelmatig of de pakking schoon, flexibel en niet gebarsten of gescheurd is. Het apparaat niet gebruiken als de pakking is beschadigd.
- Was de binnenkant van het deksel met een natte spons of doek met zeep. Gebruik, indien nodig, een borstel om olieresten te verwijderen. Afvegen met een schone, vochtige doek.
- Controleer regelmatig of de afdekking van het ontluchtingsventiel schoon en vrij van vloeistof/voedselresten is. Verwijder de afdekking van het ontluchtingsventiel van het deksel. Afdekking met een doek met zeep afvegen en vervolgens afdrogen. Goed afspoelen en weer op zijn plaats vastklikken.
- Het ontluchtingsventiel moet regelmatig worden gecontroleerd en schoongemaakt ter voorkoming van verstoppingen die het ventiel kunnen blokkeren. Olie- en voedselresten verwijderen door reiniging. Controleer na reiniging of het ventiel soepel beweegt.



## SILICONENRUBBEREN PAKKING:

- Vervang de siliconenrubberen pakking om de 1 tot 2 jaar (raadpleeg uw dichtstbijzijnde Sage-servicecentrum).
- Was de pakking in warm zeepsop. Afspoelen met schoon water, goed afdrogen en in oorspronkelijke positie terugplaatsen.
- De siliconenrubberen pakking kan in het bovenste rek van de vaatwasser worden gewassen om de geur van specerijen te verwijderen.
- Week de siliconenrubberen pakking in een mengsel van zuiveringszout en water om geurtjes te helpen verwijderen voordat u de pakking reinigt.



### WAARSCHUWING

Als de siliconenrubberen pakking niet goed in de houder is aangebracht, kan het deksel niet goed worden afgedicht. Dit kan een apparaatstoring veroorzaken, waardoor stoom of hete vloeistof gaat lekken. Dit kan brandwonden of verbranding veroorzaken.



### TIP

Om voedselgeurtjes te elimineren kan het helpen een mengsel van 125 ml citroensap, 1 eetlepel citroenschil plus 500 ml heet water 5 minuten onder hoge druk te koken.

## OPBERGEN:

- Zorg ervoor dat de kookpan is uitgeschakeld. De kookpan staat uit wanneer alle lampjes op het display uit zijn.
- Haal de stekker uit het stopcontact. Laat de kookpan en alle toebehoren volledig afkoelen, voordat u ze uit elkaar haalt en reinigt.
- Zorg ervoor dat de kookpan en alle toebehoren schoon en droog zijn.
- Zorg ervoor dat de pan in de kookpan is geplaatst.
- Zorg dat het deksel is gesloten en in de vergrendelde stand staat.
- Berg het apparaat op in rechtopstaande positie op de steunpootjes. Plaats niets boven op het apparaat.





## Problemen oplossen

PROBLEEM	EENVOUDIGE OPLOSSING
<b>Aan het einde van de kookcyclus kan het deksel niet worden geopend</b>	<ul style="list-style-type: none"> <li>• Druk op de knop STEAM RELEASE tot de interne druk volledig is vrijgegeven. U kunt de kookpan vervolgens openen.</li> <li>• Als dit vaak gebeurt, moet de kookpan mogelijk worden afgesteld op de hoogte waarop u zich momenteel bevindt. Volg de instructies in 'Hoogte aanpassen'.</li> </ul>
<b>De led LID knippert en de zoemer klinkt</b>	<ul style="list-style-type: none"> <li>• Draai het deksel in de juiste stand voor snelkoken of slowcooking.</li> </ul>
<b>Er ontsnapt stoom uit het deksel</b> <b>OF</b> <b>Veiligheidsborgpen gaat niet omhoog</b> <b>OF</b> <b>Kookpan komt niet op druk</b> <b>OF</b> <b>Timer telt niet af.</b> <b>OF</b> <b>Het scherm geeft AFSLUITEN weer</b>	<ul style="list-style-type: none"> <li>• Zet het deksel op de juiste wijze in elkaar en zorg ervoor dat er geen opening is tussen de hendel van het deksel en het roestvrijstalen deksel. De afdichtingsmoer moet stevig worden aangedraaid.</li> <li>• Zorg ervoor dat de siliconen afdichting van het deksel schoon is, geen beschadigingen of barsten vertoont en goed is aangebracht.</li> <li>• Zorg ervoor dat de veiligheidsborgpen vrij op en neer kan bewegen.</li> <li>• Wanneer het deksel is vergrendeld, moet de veiligheidsborgpen goed uitgelijnd zijn in de opening van de hendel van het deksel.</li> <li>• Zorg ervoor dat het ontluichtingsventiel goed op zijn plaats zit en naar de knop van het deksel is gericht.</li> <li>• Voeg meer vloeistof/etenswaren aan de pan toe. Deze moet minimaal een combinatie van 1 liter aan etenswaren en vloeistof bevatten.</li> <li>• Neem contact op met de Sage-klantenservice als het probleem aanhoudt.</li> </ul>
<b>De kookpan schakelt automatisch naar warmhouden zonder een volledige kookcyclus te doorlopen</b>	<ul style="list-style-type: none"> <li>• Voeg meer water aan de kookpan toe en start de cyclus opnieuw.</li> </ul>
<b>Er verzamelt zich water op het aanrecht</b>	<ul style="list-style-type: none"> <li>• Zorg ervoor dat de kookpan op een vlakke, horizontale ondergrond staat en dat het opvangbakje voor condensatie aan de achterkant van de kookpan is geplaatst. Volg de instructies in 'De Fast Slow GO™ voorbereiden' op pagina 14.</li> <li>• Leeg het opvangbakje voor condensatie.</li> </ul>
<b>Op het display staat Fout</b>	<ul style="list-style-type: none"> <li>• Op het display wordt Fout weergegeven wanneer er een probleem optreedt dat niet kan worden verholpen door het apparaat te resetten. Haal in dit geval onmiddellijk de stekker uit het stopcontact en neem contact op met de Sage-klantenservice.</li> </ul>
<b>Fabrieksinstellingen</b>	<ul style="list-style-type: none"> <li>• Houd de knoppen Soup en Sous vide drie seconden ingedrukt om de instellingen te wissen, inclusief de hoogte.</li> </ul>



## Garantie

### **BEPERKTE GARANTIE VAN 2 JAAR**

Sage Appliances biedt een garantie op dit product voor huishoudelijk gebruik in genoemde gebieden gedurende 2 jaar vanaf de datum van aankoop tegen defecten veroorzaakt door gebrekkige afwerking en materialen. Gedurende deze garantieperiode zal Sage Appliances defecte producten repareren, vervangen of terugbetalen (naar eigen goeddunken van Sage Appliances).

Alle wettelijke garantierechten onder de toepasselijke nationale wetgeving worden gerespecteerd en onze garantie doet geen afbreuk aan deze rechten. Voor de algemene voorwaarden van de garantie, evenals instructies over hoe u aanspraak maakt op de garantie, gaat u naar [www.sageappliances.com](http://www.sageappliances.com).





## Sommario

- 2 Sage consiglia: la sicurezza prima di tutto
- 9 Componenti
- 10 Pannello di controllo
- 11 Preimpostazioni alimenti
- 12 Preimpostazioni di cottura
- 13 Funzioni
- 25 Manutenzione e pulizia
- 27 Risoluzione dei problemi
- 28 Garanzia

## **SAGE CONSIGLIA: LA SICUREZZA PRIMA DI TUTTO**

**In Sage® abbiamo molto a cuore la sicurezza. Creiamo e commercializziamo prodotti di consumo tenendo sempre presente la sicurezza dei nostri clienti. Inoltre, invitiamo i clienti a prestare molta attenzione durante l'utilizzo degli apparecchi elettrici e a osservare le seguenti precauzioni.**

## **NORME DI SICUREZZA IMPORTANTI**

### **LEGGERE TUTTE LE ISTRUZIONI PRIMA DELL'USO E CONSERVARLE PER CONSULTARLE IN FUTURO**

- Sul sito [sageappliances.com](http://sageappliances.com) è disponibile una versione scaricabile di questo documento
- Non lasciare i bambini vicino alla pentola a pressione quando è in uso.
- Non mettere la pentola a pressione in un forno riscaldato.
- Spostare l'apparecchio con la massima cautela. Evitare di toccare le superfici calde. Utilizzare i manici e le manopole. Se necessario, utilizzare una protezione.

### **ATTENZIONE**

Non utilizzare la pentola a pressione per uno scopo diverso da quello per cui è stata progettata.

Questo apparecchio cuoce sotto pressione; l'utilizzo inappropriato può causare ustioni. Assicurarsi che la pentola sia chiusa correttamente prima di scaldarla. Vedere la sezione "Cottura a pressione" in questo manuale.

- Non forzare mai l'apertura della pentola a pressione. Non aprire prima di avere controllato che la pressione interna sia scesa completamente. Vedere la sezione "Rilascio del vapore" in questo manuale.
- Non aprire il recipiente prima che la pressione sia diminuita a sufficienza.
- Non utilizzare mai la pentola a pressione senza aggiungere acqua perché potrebbe danneggiarsi seriamente.
- Non riempire la pentola oltre i 2/3 della sua capacità. Quando si cuociono alimenti che si espandono durante la cottura, come riso o verdure essiccate, non riempire la pentola oltre la metà della sua capacità.
- La fonte di calore necessaria per cucinare è inclusa nell'apparecchio.
- Dopo avere cucinato della carne con la pelle (ad esempio, lingua di bue) che può gonfiarsi per effetto della pressione, non pungere la carne mentre la pelle è gonfia perché ciò potrebbe provocare ustioni.
- La superficie dell'elemento riscaldante può trattenere calore residuo dopo l'uso.
- Quando si cuociono alimenti con una consistenza densa o pastosa, dopo avere rilasciato il vapore, agitare delicatamente la pentola. Quindi rilasciare di nuovo il vapore, se necessario, prima di aprire il coperchio per evitare l'espulsione del cibo.

- Prima di ogni utilizzo, controllare che le valvole non siano ostruite. Vedere le istruzioni per l'uso.
- Non utilizzare mai la pentola a pressione nella sua modalità pressurizzata per friggere o soffriggere.
- Non manomettere i sistemi di sicurezza andando oltre le istruzioni di manutenzione specificate nelle istruzioni per l'uso.
- Utilizzare solo parti di ricambio Sage® conformi al modello. In particolare, utilizzare un corpo e un coperchio di Sage® indicati come compatibili.
- Prima di usare l'apparecchio per la prima volta, verificare che la tensione della rete corrisponda a quella indicata sull'etichetta dei valori nominali sotto il dispositivo. In caso di dubbi, contattare l'azienda fornitrice di elettricità locale.
- Rimuovere e smaltire in sicurezza tutti i materiali di imballaggio prima di utilizzare l'apparecchio per la prima volta.
- Per eliminare il rischio di soffocamento per i bambini, rimuovere e smaltire in sicurezza la copertura protettiva della spina di questo apparecchio.
- Prima dell'uso, verificare sempre che l'elettrodomestico sia montato correttamente. Seguire le istruzioni fornite in questo libretto.
- Inserire sempre l'estremità del connettore del cavo di alimentazione nell'ingresso dell'apparecchio prima di inserire la spina di alimentazione nella presa di corrente e accendere l'apparecchio. Assicurarsi che la presa di ingresso dell'apparecchio sia completamente asciutta prima di inserire l'estremità del connettore del cavo di alimentazione.
- Evitare di rovesciare liquidi sul connettore.

- Evitare di toccare le superfici calde. Durante e dopo il funzionamento le superfici dell'apparecchio sono calde. Per evitare ustioni o lesioni personali, utilizzare sempre presine o guanti da forno isolati, oppure manici o manopole se disponibili.
- Non posizionare l'apparecchio vicino al bordo di un banco o di un tavolo durante il funzionamento. Assicurarsi che la superficie sia asciutta, piana, pulita e priva di liquidi o altre sostanze.
- Gli elettrodomestici per cucinare vanno posizionati in modo stabile, con i manici (qualora presenti) ben fissati per evitare che vengano rovesciati liquidi caldi.
- Azionare sempre l'apparecchio su una superficie stabile e resistente al calore. Non utilizzare su una superficie rivestita di tessuto e posizionare l'apparecchio a una distanza minima di 20 cm da pareti, tende, tessuti e altri materiali sensibili al calore.
- Non collocare l'apparecchio sopra o vicino a un fornello a gas o elettrico caldo o dove potrebbe entrare in contatto con un forno riscaldato.
- Non azionare l'elettrodomestico sul pianale del lavello.
- Non mettere la pentola su un piano di lavoro in pietra quando sta cucinando: la pietra è sensibile al calore non uniforme e potrebbe rompersi se riscaldata solo in un punto. Se si desidera utilizzare l'apparecchio su un piano di lavoro, posizionare un tagliere o un tappetino resistente al calore sotto la pentola.
- Non posizionare nulla, oltre al coperchio, sopra la pentola quando è montata, in uso e riposta.
- Non utilizzare il manico del coperchio

per trasportare l'apparecchio.

- Prima di inserire la ciotola rimovibile nella base in acciaio inossidabile, assicurarsi che la base della ciotola e la base dell'apparecchio siano asciutte strofinandole con un panno morbido e asciutto.
- Non utilizzare una ciotola rimovibile danneggiata. Sostituirla prima dell'uso.
- Non versare alimenti o liquidi direttamente nella base in acciaio inossidabile. Solo il recipiente rimovibile è progettato per contenere alimenti o liquidi.
- Prima dell'uso, controllare sempre che la valvola di rilascio della pressione e il perno di sicurezza non siano intasati e pulirli se necessario. Assicurarsi che il perno di sicurezza si muova liberamente sotto il coperchio.
- Non toccare la valvola di rilascio della pressione durante l'uso.

- Utilizzare solo il pulsante STEAM RELEASE (rilascio vapore) consigliato per depressurizzare la pentola dopo l'uso.
- Non lasciare l'elettrodomestico incustodito durante il funzionamento.

### **NORME DI SICUREZZA IMPORTANTI PER TUTTI GLI ELETTRODOMESTICI**


- Non utilizzare questo apparecchio se è usurato, è caduto o è stato in qualche modo danneggiato.
- Svolgere completamente il cavo di alimentazione prima dell'uso.
- Evitare che il cavo di alimentazione rimanga sospeso oltre il bordo di un tavolo o un piano di lavoro, che tocchi superfici calde o forni nodi.
- Collegare solo a una presa di corrente da 220-240 V.
- Impostare sempre l'apparecchio in posizione OFF,




- spegnere l'interruttore di alimentazione, rimuovere la spina e lasciare raffreddare tutte le parti prima di spostare l'apparecchio, quando non è in uso, prima di pulirlo e riporlo.
- L'elettrodomestico può essere utilizzato da bambini di età superiore a 8 anni e persone con disabilità fisiche o mentali o prive di esperienza o conoscenza dell'elettrodomestico stesso, a condizione che lo utilizzino sotto la supervisione di qualcuno o secondo specifiche istruzioni ricevute in merito all'uso in sicurezza dell'elettrodomestico e che comprendano i rischi associati.
  - Non lasciare che i bambini giochino con l'elettrodomestico.
  - La pulizia e la manutenzione possono essere eseguite da bambini solo se di età superiore a 8 anni e sotto la supervisione di qualcuno.
  - Tenere l'elettrodomestico e il cavo fuori dalla portata dei bambini di età inferiore a 8 anni.
  - Si raccomanda di ispezionare regolarmente l'apparecchio. Non utilizzare l'elettrodomestico se il cavo di alimentazione, la spina di alimentazione o l'apparecchio stesso subiscono danni. Se l'elettrodomestico è danneggiato o richiede un intervento di manutenzione diverso dalla pulizia, contattare il Servizio clienti Sage o visitare [sageappliances.com](http://sageappliances.com).
  - L'utilizzo di prolunghe o accessori non venduti o consigliati da Sage® può provocare incendi, scosse elettriche o lesioni.
  - Questo apparecchio è destinato esclusivamente all'uso domestico. Non utilizzare questo apparecchio per

usi diversi da quello previsto. Non utilizzare su veicoli in movimento o barche. Non utilizzare all'aperto. L'uso non corretto potrebbe provocare lesioni.

- Questo elettrodomestico non deve essere utilizzato per mezzo di un timer esterno o di un sistema di controllo remoto separato.
- Si consiglia l'installazione di un interruttore salvavita per una maggiore sicurezza durante l'utilizzo di tutti i dispositivi elettrici. È consigliabile che nel circuito elettrico che alimenta l'apparecchio sia installato un interruttore di sicurezza con una corrente di esercizio nominale residua non superiore a 30 mA. Consultare un elettricista per un parere professionale.

 Per proteggersi dalle scariche elettriche, non immergere la spina, il cavo di alimentazione o l'elettrodomestico in acqua o in qualsiasi altro liquido.

 Questo simbolo indica che l'apparecchio non può essere smaltito con i rifiuti domestici comuni. Deve essere conferito presso un centro di smaltimento locale specializzato o presso un rivenditore che fornisce questo servizio. Per ulteriori informazioni, contattare l'ufficio comunale locale.

## SPECIFICHE

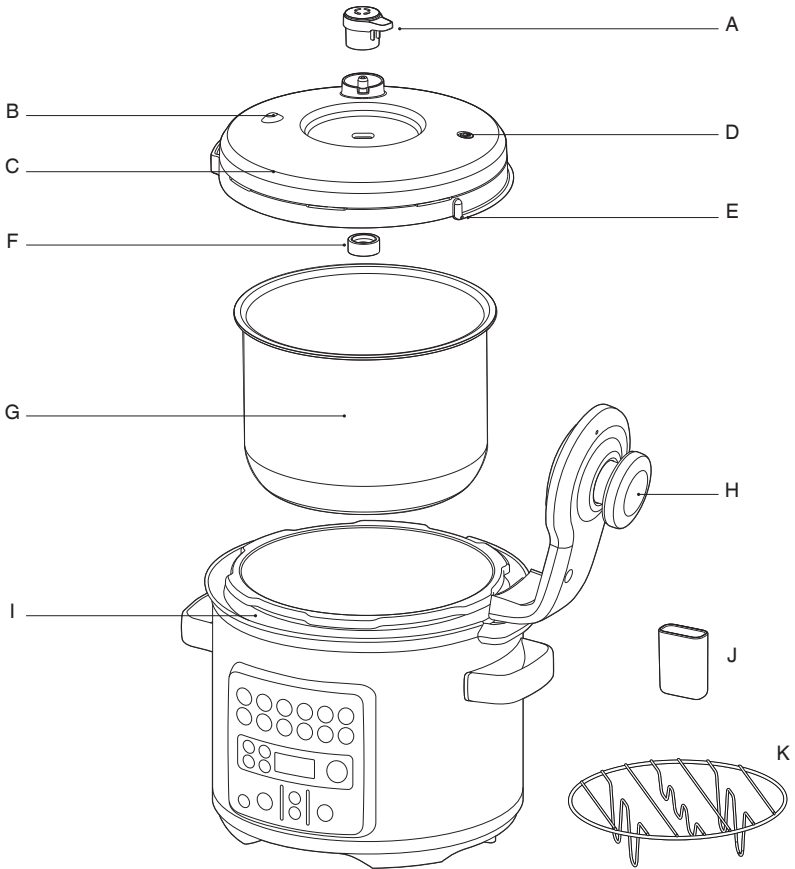
Modello	SPR680
Volume nominale	6 litri
Volume utilizzabile	4 litri
Pressione operativa	80 kPa
Fonte di calore	Elemento riscaldante elettrico

Queste specifiche possono variare senza preavviso.

**SOLO PER USO DOMESTICO  
CONSERVARE QUESTE ISTRUZIONI**

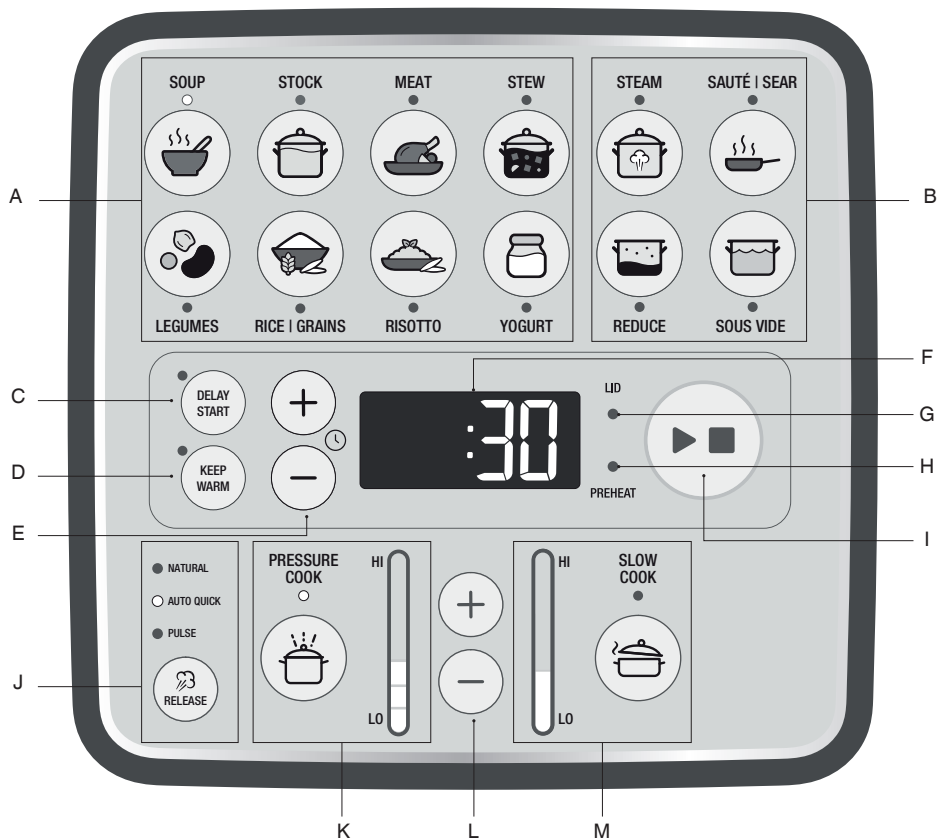


## Componenti



- A. Valvola di rilascio della pressione  
Controlla automaticamente la velocità di fuoriuscita del vapore dalla pentola
- B. Valvola di sicurezza della pressione
- C. Coperchio rimovibile lavabile in lavastoviglie
- D. Perno di sicurezza  
Si alza al raggiungimento della pressione, fungendo da blocco di sicurezza
- E. Guarnizione del coperchio in silicone  
Facile da montare per una maggiore praticità durante l'assemblaggio e la pulizia
- F. Dado di tenuta
- G. Recipiente per cottura rimovibile da 6 l
- H. Braccio del coperchio
- I. Solco facile da pulire  
Cattura le gocce di condensa, per evitare schizzi o macchie.
- J. Vaschetta di raccolta della condensa
- K. Sottopentola inossidabile  
Tiene il cibo separato dal liquido per arrostitire e cuocere a vapore.

## PANNELLO DI CONTROLLO



- A. Preimpostazioni alimenti con indicatori luminosi
- B. Preimpostazioni di cottura con indicatori luminosi
- C. DELAY START (ritarda avvio)
- D. KEEP WARM (mantieni caldo)
- E. Pulsanti di regolazione del TEMPO (+/-)
- F. Display LED
- G. Indicatore luminoso di blocco/sblocco del coperchio
- H. Indicatore luminoso di preriscaldamento
- I. Pulsante START/CANCEL (avvia/annulla)
- J. Pulsante di rilascio della pressione con indicatore di selezione delle modalità
- K. PRESSURE COOK (cottura a pressione) con indicatore luminoso  
Indicatore del livello di pressione per la modalità cottura a pressione
- L. Pulsanti di regolazione della PRESSIONE/TEMPERATURA (+/-)
- M. SLOW COOK (cottura lenta) con indicatore luminoso  
Indicatore di temperatura per la modalità cottura lenta

**CE** Informazioni sui valori nominali:  
220-240 V ~50-60 Hz 900-1100 W

## PREIMPOSTAZIONI ALIMENTI

### IMPOSTAZIONE: PRESSURE COOK

MENU ALIMENTI	IMPOSTAZIONE PREDEFINITA	INTERVALLO
<b>Soup (zuppa)</b>	50 kPa - circa 110°C 30 MIN AUTO QUICK (veloce automatico)	10 kPa – 80 kPa Fino a 2 ORE
<b>Stock (brodo)</b>	80 kPa - circa 116°C 1 ORA AUTO QUICK (veloce automatico)	10 kPa – 80 kPa Fino a 2 ORE
<b>Meat (carne)</b>	80 kPa - circa 116°C 1 ORA AUTO QUICK (veloce automatico)	10 kPa – 80 kPa Fino a 2 ORE
<b>Stew (stufato)</b>	60 kPa - circa 112°C 1 ORA AUTO QUICK (veloce automatico)	10 kPa – 80 kPa Fino a 2 ORE
<b>Legumes (legumi)</b>	80 kPa - circa 116°C 30 MIN NATURALE	10 kPa – 80 kPa Fino a 2 ORE
<b>Rice (riso)   Grains (cereali)</b>	50 kPa - circa 110°C 10 MIN AUTO PULSE (intermittente automatico)	10 kPa – 80 kPa Fino a 2 ORE
<b>Risotto</b>	40 kPa - circa 108°C 7 MIN AUTO QUICK (veloce automatico)	10 kPa – 80 kPa Fino a 2 ORE

### IMPOSTAZIONE: SLOW COOK

MENU ALIMENTI	IMPOSTAZIONE PREDEFINITA	INTERVALLO
<b>Soup (zuppa)</b>	ALTA - 95°C 4 ORE KEEP WARM (mantieni caldo)	Tempo: 2 - 12 ORE Temp.: Alta - Bassa Keep warm: on / off
<b>Stock (brodo)</b>	ALTA - 95°C 4 ORE KEEP WARM (mantieni caldo)	Tempo: 2 - 12 ORE Temp.: Alta - Bassa Keep warm: on / off
<b>Meat (carne)</b>	BASSA - 90°C 8 ORE	Tempo: 2 - 12 ORE Temp.: Alta - Bassa Keep warm: on / off
<b>Stew (stufato)</b>	BASSA - 90°C 8 ORE	Tempo: 2 - 12 ORE Temp.: Alta - Bassa Keep warm: on / off
<b>Legumes (legumi)</b>	ALTA - 95°C 6 ORE	Tempo: 2 - 12 ORE Temp.: Alta - Bassa Keep warm: on / off

<b>YOGURT</b>	Fase 1	Fase 2	Fase 3	Tempo: 8 - 16
	Scaldare	Raffreddare*	Mettere in	ORE
	10 min	Fino a 3 ore	incubazione	Temp.: n/a
	Temp.: 83 °C	Temp.: da 83°C a 43°C	8 ore	Keep warm: n/a
	KEEP WARM OFF	KEEP WARM OFF	Temp.: 43°C	KEEP WARM OFF

**\*Tempo di raffreddamento con coperchio aperto (per 2 litri di latte):**

L'abbassamento della temperatura da 83°C a 43°C può richiedere fino a 1 ora e 20 min

\*Tempo di raffreddamento con coperchio chiuso (per 2 litri di latte):

L'abbassamento della temperatura da 83°C a 43°C può richiedere fino a 3 ore

## PREIMPOSTAZIONI DI COTTURA

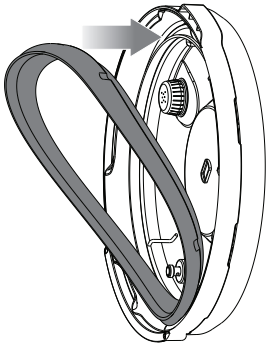
IMPOSTAZIONE	PREIMPOSTAZIONE	TEMPO / TEMP.	INTERVALLO
<b>SAUTE / SEAR</b> (sauté/rosolatura)	CONTEGGIO TEMPO	Temp.:	Tempo: n/a
		Alta - (Sear) 168°C	Keep Warm: solo off
		Media - (Sauté) 150°C	
		Bassa - (Sauté) 130°C	
<b>REDUCE (riduci)</b>	ALTA 10 MIN	Temp.:	Tempo: 1 MIN - 2 ORE
		Bassa - 105°C	Keep warm: on / off
		Media - 115°C	
		Alta - 130°C	
<b>STEAM (vapore)</b>	15 MIN	Temp.: 100 °C	Tempo: 1 MIN - 1 ORA
			Temp.: n/a
			Keep Warm: solo off
<b>SOUS VIDE</b> (sottovuoto)	1 ORA	Temp.: 57°C	Tempo: 1 MIN - 24 ORE
			Temp.: 30°C - 90°C
			Keep warm: n/a
<b>KEEP WARM</b>	2 ORE CONTEGGIO TEMPO	Temp.: 70 °C	



## Funzioni

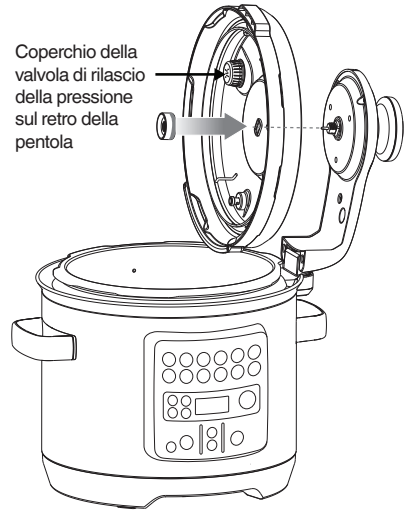
### PREPARAZIONE AL PRIMO UTILIZZO

1. Rimuovere dalla pentola e smaltire in modo sicuro i materiali di imballaggio, le etichette promozionali e il nastro adesivo.
2. Aprire il coperchio ruotando la manopola in senso antiorario e sollevarlo verso l'alto e fuori dall'apparecchio finché non si trova nella posizione di apertura a cerniera. Svitare e rimuovere il dado di tenuta dal centro del coperchio e tirare via il coperchio per staccarlo dal braccio.
3. Lavare il coperchio, il recipiente di cottura rimovibile e la guarnizione in silicone del coperchio in acqua calda e sapone, quindi sciacquare e asciugare accuratamente. Pulire l'interno e l'esterno della base della pentola con un panno morbido umido, quindi asciugare bene.
4. Rimettere la guarnizione del coperchio in silicone pulita intorno alla ghiera a filo nella parte inferiore del coperchio. Regolare la posizione se necessario in modo che sia inserita correttamente e priva di distorsioni.



5. Per rimontare il coperchio, orientarlo in modo che l'alloggiamento della valvola di rilascio del vapore si trovi sul retro dell'unità, quindi allineare il centro del coperchio con il bullone sul lato inferiore del braccio del

coperchio e spingere in posizione per esporre la filettatura della vite. Fissare il coperchio avvitando il dado di tenuta in modo che la guarnizione rossa tocchi la superficie del coperchio.



6. Pulire e asciugare la parte inferiore del recipiente di cottura rimovibile e il sensore di temperatura, controllando che non vi siano materiali indesiderati sulla superficie. Il recipiente rimovibile deve essere appoggiato sul sensore di temperatura per garantire un contatto corretto.
7. Far scattare in posizione la vaschetta di raccolta della condensa.
8. Inserire l'estremità del connettore del cavo di alimentazione nella base della pentola, assicurandosi che sia completamente asciutto. Inserire la spina di alimentazione in una presa di corrente (con messa a terra) da 230-240 V.
  - Impostare l'altitudine (sopra il livello del mare) - la macchina visualizzerà Set - Alt - (distanza) - metri
  - Premere i pulsanti del TEMPO (+/-) per regolare l'altitudine sul valore più accurato da 0 a 2.000 metri.
  - Premere START (AVVIO) per confermare

9. La pentola emette un segnale acustico e il display LED si illumina.
10. Si consiglia di eseguire un ciclo di cottura di 15 minuti con acqua per eliminare eventuali sostanze protettive nel recipiente di cottura e sull'elemento riscaldante.



## NOTA

La pentola a pressione non deve essere utilizzata ad altitudini superiori a 2.000 m. Ad altitudini più elevate sono necessari tempi di cottura più lunghi per ottenere i migliori risultati. Per queste zone ad altitudini elevate, prolungare il tempo di cottura secondo necessità per ottenere il risultato alimentare desiderato.



## ATTENZIONE

Utilizzare solo il recipiente di cottura destinato a questo apparecchio; l'utilizzo di recipienti di cottura non forniti causerà un errore non ripristinabile.

## IMPOSTAZIONI DEL PANNELLO DI CONTROLLO

The Fast Slow Pro™ comprende 6 preimpostazioni di cottura: Pressure Cook, Slow Cook, Reduce, Sauté/Sear, Steam e Sous Vide. Dispone anche di 8 preimpostazioni alimenti: Soup, Stock, Meat, Stew, Legumes, Rice/Grains, Risotto e Yoghurt.

## PREIMPOSTAZIONI ALIMENTI

Il pannello di controllo mostra le 8 preimpostazioni alimenti disponibili per una selezione facile.

Premendo una qualsiasi delle 8 preimpostazioni alimenti, si utilizzeranno le impostazioni predefinite per ottenere i migliori risultati per quel particolare tipo di cibo. Questo include il passaggio alla modalità "PRESSURE COOK" o "SLOW COOK".

A seconda della modalità di cottura, premendo un pulsante di preimpostazione alimenti si regolano i livelli di **PRESSIONE** o **TEMPERATURA**, il tempo di cottura e la modalità di rilascio della pressione, oltre ad accendere e spegnere il pulsante **KEEP WARM**.

Il tempo di cottura, la funzione **KEEP WARM** o **DELAY START** possono essere regolati mantenendo la preimpostazione alimenti selezionata. Tuttavia, qualsiasi cambiamento ai livelli di pressione o di temperatura o all'impostazione di rilascio della pressione (a seconda della modalità in cui si trova il prodotto) farà entrare l'apparecchio in modalità personalizzata.

La tabella qui sotto mostra come, quando si seleziona il menu alimenti, alcuni alimenti possono essere cucinati premendo "PRESSURE COOK" o "SLOW COOK".

MENU ALIMENTI	PRESSURE COOK	SLOW COOK
<b>Soup (zuppa)</b>	✓	✓
<b>Stock (brodo)</b>	✓	✓
<b>Meat (carne)</b>	✓	✓
<b>Stew (stufato)</b>	✓	✓
<b>Legumes (legumi)</b>	✓	✓
<b>Rice/Grains (riso/cereali)</b>	✓	✗
<b>Risotto</b>	✓	✗
<b>Yoghurt</b>	✗	✓

## PASSAGGI FACILI PER PREIMPOSTAZIONI

es.

**SOUP**

- Premere l'icona **SOUP** sull'interfaccia.
- L'interfaccia suggerirà automaticamente una funzione di cottura a pressione (se pertinente).  
Per selezionare una funzione di cottura lenta, premere il pulsante **SLOW COOK**
- L'interfaccia mostrerà automaticamente il tempo di cottura e il livello di pressione precisi per la zuppa.
- Il tempo di cottura può essere modificato premendo le frecce verso l'alto o verso il basso.



- Dopo aver aggiunto gli ingredienti, premere **START** per avviare la cottura.




## SUGGERIMENTO

È possibile far saltare le verdure o rosolare la carne prima della cottura con la funzione **SAUTÉ/SEAR**. Al termine, premere **STOP** per annullare la funzione **SAUTÉ/SEAR** e selezionare la preimpostazione di cottura successiva.

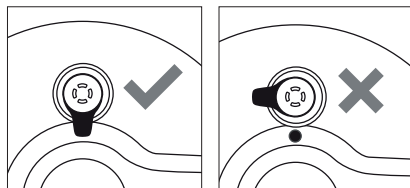


## NOTA

- Se non si è mai utilizzata la cottura a pressione, il rilascio della pressione può risultare intenso. Poiché la pentola rilascia un forte flusso di vapore, tenere sempre le mani e il viso lontano dal rilascio della pressione (fare riferimento alla pagina 17 per la descrizione del rilascio di vapore variabile e le indicazioni su come maneggiare la pentola).
  - Fare riferimento alle sezioni "Preimpostazioni alimenti" e "Preimpostazioni di cottura" per le raccomandazioni sulle preimpostazioni.
  - Se nessuno degli indicatori di preimpostazione alimenti è illuminato, la pentola è in modalità manuale. Premere un pulsante di preimpostazione alimenti per tornare alle impostazioni predefinite.
  - Le modalità di rilascio del vapore o della pressione impostate per le modalità di cottura predefinite sono selezionate per ottenere risultati ottimali. Qualsiasi modifica alla modalità di rilascio del vapore potrebbe causare la fuoriuscita di cibo.
- di ebollizione e permette quindi di cuocere il cibo fino al 70% più velocemente. Questo si traduce in un minor consumo energetico e in un risparmio notevole sia in termini di tempo che di costi. Dal momento che la cottura a pressione richiede pochissimo liquido, vengono mantenuti più vitamine, minerali e altri nutrienti e si esalta il gusto naturale del cibo.
1. Per selezionare la modalità cottura a pressione manuale, tenere premuto il pulsante **PRESSURE COOK**  per 2 secondi.
  2. Regolare la pressione di cottura con i pulsanti della **PRESSIONE/TEMPERATURA (+/-)**. La pressione può essere regolata da 10 kPa (**LOW**, bassa) a 80 kPa (**HIGH**, alta).
  3. Il numero sul display LED indica il tempo di cottura predefinito per l'impostazione selezionata. Regolare il tempo di cottura usando il pulsante del **TEMPO (+/-)**, vicino al display a 4 cifre, per ridurlo e aumentarlo. Il tempo può essere regolato fino a 2 ore.
  4. Premere il pulsante **STEAM RELEASE** per selezionare il rilascio del vapore "**NATURAL**", "**AUTO QUICK**" o "**PULSE**".
  5. Mettere gli alimenti nel recipiente di cottura rimovibile. Assicurarsi che ci sia almeno 1 litro di alimenti e liquido combinati nel recipiente.
  6. Chiudere il coperchio e ruotare la manopola del coperchio in senso orario per bloccarlo in posizione. La pentola emetterà un segnale acustico quando il coperchio si blocca.
  7. Assicurarsi che la valvola di rilascio del vapore sia posizionata sul coperchio in posizione chiusa.

## MODALITÀ COTTURA A PRESSIONE MANUALE

La cottura a pressione prevede che il cibo venga cotto in una piccola quantità di liquido con un coperchio con guarnizione che trattiene il vapore all'interno e crea pressione. L'aumento della pressione fa salire la temperatura del liquido e del vapore all'interno ben al di sopra del punto



8. Premere il pulsante START per avviare la cottura. Il pulsante START/CANCEL si illumina di arancione e si accende "PREHEAT".



## NOTA

È normale che la pentola rilasci piccoli getti di vapore mentre si stabilizza.

9. Se il coperchio non è stato chiuso e bloccato correttamente, l'indicatore "LID" lampeggerà e verrà emesso un segnale acustico; la cottura sarà sospesa fino a che il coperchio non verrà posizionato correttamente. Ruotare la manopola del coperchio in senso orario per bloccare il coperchio in posizione e iniziare la cottura.
10. Una volta che la pentola è entrata in pressione, l'indicatore luminoso "PREHEAT" si spegne, viene emesso un segnale acustico e il timer inizia il conteggio alla rovescia.
11. Il tempo può essere regolato durante il ciclo di cottura a pressione premendo i pulsanti di regolazione del TEMPO (+/-). Il ciclo può essere sospeso in qualsiasi momento premendo il pulsante START/CANCEL. Per terminare il ciclo, tenere premuto START/CANCEL per 2 secondi. Se c'è già pressione nel recipiente, passerà immediatamente al ciclo di rilascio del vapore.
12. Al termine del ciclo di cottura a pressione, la pentola emette un segnale acustico e il vapore viene rilasciato automaticamente attraverso la valvola di rilascio della pressione. L'icona del vapore lampeggia, il timer inizia il conteggio.
13. Se è stato selezionato il metodo di rilascio del vapore NATURAL, la pressione diminuirà naturalmente nel recipiente senza forzare il vapore attraverso la valvola di rilascio della pressione. L'impostazione di rilascio del vapore può essere modificata durante il ciclo di rilascio del vapore premendo il pulsante STEAM RELEASE.

14. Al termine del ciclo di rilascio del vapore, la pentola emette un segnale acustico, il display lampeggia e, se "KEEP WARM" è acceso, il timer inizia il conteggio.
15. Aprire il coperchio ruotando la manopola in senso orario e sollevandolo con attenzione verso l'alto nella posizione di apertura a cerniera.
16. Dopo 5 minuti di inattività, viene attivata la modalità standby. Il display LED non è più illuminato.



## ATTENZIONE

Per evitare ustioni causate dalla fuoriuscita di vapore, non mettere mai il viso o le mani sopra la pentola quando si rimuove il coperchio.



## ATTENZIONE

Se il coperchio non si sblocca, significa che l'apparecchio è ancora in pressione. Non forzare l'apertura del coperchio perché la pressione residua può essere pericolosa.

Tenere premuto il pulsante STEAM RELEASE per rilasciare manualmente il vapore.

## TABELLA COTTURA A PRESSIONE

Fare riferimento a questa tabella per la temperatura approssimativa per ogni livello di kPa:

Livello della pressione (kPa)	Temperatura (°C)
10	102
20	104
30	106
40	108
50	110
60	112
70	114
80	116

## RILASCIO AUTOMATICO DEL VAPORE VARIABILE

The Fast Slow GO™ offre 3 metodi di rilascio del vapore:

### Auto Quick (veloce automatico)

La pressione viene rilasciata rapidamente per ridurre il rischio di cuocere eccessivamente gli alimenti o le preparazioni con tempi di cottura brevi.

Si consiglia di procedere con la modifica solo se si cucinano alimenti che non si gonfiano o rilasciano schiuma durante l'ebollizione.

### Pulse (intermittente)

La pressione viene rilasciata in modo intermittente per ridurre l'impatto sugli alimenti all'interno.

Si consiglia di procedere con la modifica solo se si cucinano alimenti che rilasciano una quantità minima di schiuma durante l'ebollizione o non ne rilasciano affatto.

### Natural (naturale)


La pressione si abbassa naturalmente all'interno senza rilasciare il vapore attraverso lo sfianto, per evitare lo sfaldamento o la rottura di ingredienti delicati come brodi e fagioli durante il rilascio della pressione.

La modalità di rilascio naturale della pressione è adatta a tutti i tipi di preparazione.



### NOTA

Per alcuni tipi di alimenti (ad es. i legumi) che rilasciano molta schiuma, è possibile utilizzare solo il rilascio naturale della pressione, per evitare fuoriuscite di cibo.

Questi metodi possono essere selezionati utilizzando il pulsante STEAM RELEASE  sul pannello di controllo durante i cicli di configurazione e rilascio del vapore. Dopo la selezione, la valvola di rilascio della pressione rilascerà automaticamente il vapore al termine del ciclo di cottura a pressione.

Tenendo premuto il pulsante di rilascio del vapore durante o dopo un ciclo di cottura si aprirà la valvola di rilascio della pressione.



### NOTA

Le modalità di rilascio del vapore o della pressione impostate per le modalità di cottura predefinite sono selezionate per ottenere risultati ottimali. Qualsiasi modifica alla modalità di rilascio del vapore potrebbe causare la fuoriuscita di cibo.




### ATTENZIONE

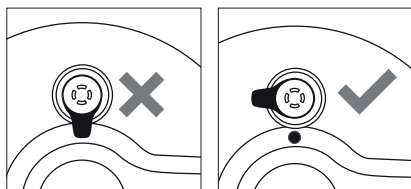
Tenere sempre mani e viso lontani dalla valvola di rilascio della pressione quando si cuoce a pressione, perché durante il funzionamento possono verificarsi fuoriuscite di vapore e acqua bollenti.

## MODALITÀ COTTURA LENTA MANUALE

La funzione SLOW COOK è progettata per tempi di cottura più lunghi a temperature più basse. È anche l'ideale per intenerire i tagli di carne più duri e ottenere sapori intensi.

1. Selezionare la modalità Slow Cook  sull'interfaccia.
2. Il display LED indica la temperatura di cottura predefinita per l'impostazione selezionata. È comunque possibile premere i pulsanti della PRESSIONE/TEMPERATURA (+/-) per ridurre o aumentare la temperatura. La temperatura può essere regolata su due valori preimpostati: HI (alta) - LO (bassa).
3. Il display LED indica il tempo di cottura predefinito per l'impostazione selezionata. È possibile regolare il TEMPO (+/-) per ridurre o aumentare il tempo di cottura. Il tempo può essere regolato tra 2 e 12 ore.
4. L'indicatore "KEEP WARM" si attiverà automaticamente al termine del ciclo SLOW COOK. Premere il pulsante "KEEP WARM" sul pannello di controllo per selezionare o deselezionare la funzione.

5. Mettere gli alimenti nel recipiente di cottura rimovibile. Assicurarsi che ci sia almeno 1 litro di alimenti e liquido combinati nel recipiente.
6. Chiudere e bloccare il coperchio.
7. Ruotare la valvola di rilascio della pressione in posizione aperta.



8. Premere il pulsante **START** per avviare la cottura. Il pulsante **START/CANCEL** si illumina di arancione.
9. Il timer viene visualizzato e inizia automaticamente il conteggio alla rovescia. Il tempo può essere regolato durante il ciclo di cottura lenta premendo i pulsanti di regolazione del **TEMPO (+ / -)**. Il ciclo può essere sospeso in qualsiasi momento premendo il pulsante **START/CANCEL**. Mentre la cottura è sospesa, è possibile regolare le impostazioni di cottura. Premendo nuovamente il pulsante **START/CANCEL**, la cottura continuerà con le nuove impostazioni.



## NOTA

Per rimuovere il vapore mentre la cottura è sospesa, tenere premuto il pulsante di rilascio del vapore. Durante la cottura lenta, potrebbe verificarsi un accumulo di pressione che rende difficile aprire il coperchio. In questo caso, premere il pulsante **STEAM RELEASE** fino a che la pressione interna viene rilasciata e la pentola può essere aperta.

10. Al termine del ciclo di cottura lenta, la pentola passa automaticamente alla funzione **KEEP WARM**. L'indicatore **KEEP WARM** si illumina e il timer inizia il conteggio fino a un massimo di 6 ore. Il ciclo per mantenere caldo il cibo può essere sospeso in qualsiasi momento premendo il pulsante **START/CANCEL**.

11. Se la funzione **KEEP WARM** non è stata selezionata, la pentola emette un segnale acustico e il pulsante **START/CANCEL** si spegne.
12. Dopo 5 minuti di inattività, viene attivata la modalità **standby**. La luce si spegne.

## CONSIGLI PER LA COTTURA A PRESSIONE E LENTA

### Soup (zuppa)

- L'impostazione **PRESSURE & SLOW COOK SOUP** è adatta per cucinare una varietà di zuppe, dai brodi leggeri alle minestre sostanziose, fino alle creme di verdure.
- Usare le impostazioni **SAUTÉ/SEAR** per rosolare la carne e ammorbidire le erbe aromatiche prima della cottura.
- Per accorciare il tempo di pressurizzazione, aggiungere acqua fredda/brodo al recipiente mentre è ancora attiva l'impostazione **SAUTÉ** o **SEAR** e lasciare che l'acqua arrivi a sobbollire prima della cottura a pressione.
- Non riempire eccessivamente il recipiente di cottura. Il volume totale della zuppa non deve superare il livello "**MAX**" segnato all'interno del recipiente di cottura rimovibile.

### Stock (brodo)

- L'impostazione **PRESSURE & SLOW COOK STOCK** è adatta per preparare tutti i tipi di brodo, come quello di pollo, di manzo o di verdure.
- Per preparare un brodo di carne, utilizzare l'impostazione **SAUTÉ/SEAR** per rosolare la carne e le verdure prima della cottura a pressione o lenta.
- Verdure come cipolle, carote e sedano vanno tagliate a pezzi grandi. Questo aiuterà a mantenere il brodo chiaro e lo renderà più facile da filtrare alla fine della cottura.
- Per accorciare il tempo di pressurizzazione, aggiungere acqua fredda al recipiente mentre è ancora attiva l'impostazione **SAUTÉ** o **SEAR** e lasciare che l'acqua arrivi a sobbollire prima della cottura a pressione.

- Non riempire eccessivamente il recipiente di cottura. Il volume totale di acqua, carne e/o erbe aromatiche non deve superare il livello "MAX" segnato all'interno del recipiente di cottura rimovibile.

### Meat (carne)

- L'impostazione PRESSURE & SLOW COOK MEAT scioglie i tessuti connettivi grazie a temperatura e pressione alte ed è l'ideale per piatti a base di carne teneri e succulenti. Le salse diventano dense e saporite.
- Per un gusto e una consistenza ottimali, scegliere tagli di carne ben marmorizzati.
- Tagliare i pezzi di carne più grandi in 2 o 3 pezzi per metterli con più facilità nel recipiente di cottura.
- Usare l'impostazione SAUTÉ/SEAR per rosolare la carne in piccole quantità prima della cottura.
- A differenza della tradizionale stufatura o brasatura, la cottura a pressione e la cottura lenta non producono quasi nessuna evaporazione. Per piatti dal sapore intenso, usare meno liquido di quello richiesto nelle ricette tradizionali, 1 tazza - 1 tazza e ½ (250-375 ml) al massimo.
- Non riempire eccessivamente il recipiente di cottura. Il volume totale degli ingredienti prima della cottura non deve superare il livello "MAX" segnato all'interno del recipiente di cottura rimovibile.

### Stew (stufato)

- L'impostazione PRESSURE & SLOW COOK STEW è l'ideale per cucinare carne macinata, sughi a base di carne e spezzatini sostanziosi.
- Usare le impostazioni SAUTÉ/SEAR per rosolare la carne e ammorbidire le erbe aromatiche prima della cottura.
- A differenza della cottura in una pentola tradizionale, la cottura a pressione e la cottura lenta non producono quasi nessuna evaporazione. Per spezzatini e ragù densi e ricchi di sapore, usare meno liquido di quello richiesto nelle ricette tradizionali.

Usare l'impostazione REDUCE dopo la cottura per addensare i cibi troppo acquosi.

- Non riempire eccessivamente il recipiente di cottura. Il volume totale degli ingredienti prima della cottura non deve superare il livello "MAX" segnato all'interno del recipiente di cottura rimovibile.

### Legumes (legumi)

- L'impostazione PRESSURE & SLOW COOK LEGUMES è l'ideale per cucinare tutti i tipi di legumi, lenticchie e fagioli secchi.
- I legumi e gli altri fagioli possono produrre una grande quantità di schiuma in cottura. La preimpostazione di rilascio del vapore NATURAL assicura che la schiuma non interferisca con la valvola di rilascio del vapore.
- I tempi di cottura si riferiscono a fagioli secchi non messi in ammollo. Per accorciare il tempo di cottura, mettere in ammollo i fagioli in acqua fredda per una notte. Eliminare l'acqua di ammollo e cuocere con acqua fredda per metà del tempo di cottura preimpostato.
- Utilizzare la proporzione 1 parte di fagioli per 3 parti di acqua.
- I fagioli e i legumi si gonfiano e raddoppiano le dimensioni dopo la cottura. Non riempire eccessivamente il recipiente di cottura. Il volume totale dei legumi e dell'acqua prima della cottura non deve superare il livello ½ segnato all'interno del recipiente di cottura rimovibile.

### Rice (riso) | Grains (cereali)

- L'impostazione PRESSURE COOK RICE è pensata per cuocere il riso e i cereali in modo che i chicchi rimangano ben separati e teneri. È adatta a tutti i tipi di riso, ad esempio a grani lunghi, jasmine, basmati e integrale.
- Per la cottura a pressione del riso integrale, aumentare il tempo di cottura di 20 minuti.
- Misurare o pesare il riso con attenzione e lavarlo bene con acqua fredda per eliminare qualsiasi residuo. Scolare e mettere nel recipiente di cottura rimovibile.

- Aggiungere la quantità di acqua corrispondente. Per ulteriori informazioni, fare riferimento alla tabella di cottura per riso/cereali e legumi sul sito di Sage.
- Dopo la cottura, lasciare riposare il riso nel recipiente per 5 minuti prima di mescolare e servire.
- Il riso raddoppierà o triplicherà le sue dimensioni dopo la cottura. Non riempire eccessivamente il recipiente di cottura. Il volume totale del riso e del liquido prima della cottura non deve superare il livello  $\frac{1}{2}$  segnato all'interno del recipiente di cottura rimovibile.

### Risotto

- L'impostazione **PRESSURE COOK RISOTTO** è ideale per preparare risotti cremosi, senza dover mescolare e in molto meno tempo.
- Usare l'impostazione **SAUTÉ/SEAR** per ammorbidire cipolle e erbe aromatiche e deglassare il recipiente di cottura con del vino.
- La chiave per un risotto cremoso è tostare i chicchi di riso prima di aggiungere il liquido. Usare l'impostazione **SAUTÉ/SEAR** per tostare il riso, mescolando spesso, per 3-5 minuti o finché i chicchi diventano prima trasparenti e poi bianchi.
- Con poca o nessuna evaporazione durante la cottura a pressione, è importante mantenere la proporzione 1 parte di riso per 3 parti di brodo. Qualora si aggiungano molte verdure al risotto, ridurre il brodo di un terzo.
- Il riso raddoppierà o triplicherà le sue dimensioni dopo la cottura. Non riempire eccessivamente il recipiente di cottura. Il volume totale del riso e del brodo prima della cottura non deve superare il livello  $\frac{1}{2}$  segnato all'interno del recipiente di cottura rimovibile.

## ALTRE PREIMPOSTAZIONI:

### SAUTÉ/SEAR

Questa preimpostazione ha tre livelli: sauté basso, sauté medio e sear.

Il livello di temperatura sarà indicato dall'indicatore luminoso della temperatura di Slow Cook. *(vedere pagina 10 - lettera M. - per l'illustrazione del pannello di controllo)*

L'impostazione **SAUTÉ** è ideale per ammorbidire e caramellare aglio, cipolle e verdure prima della cottura a pressione o lenta. L'impostazione **SAUTÉ** corrisponde ai livelli di temperatura **MEDIO** e **BASSO** del tuo apparecchio.

L'impostazione **SEAR** è pensata per esaltare e arricchire il sapore dei piatti utilizzando lo stesso recipiente di cottura per caramellare e dorare gli ingredienti prima della cottura a pressione o lenta. L'impostazione **SEAR** corrisponde al livello di temperatura **ALTO** del tuo apparecchio.

### REDUCE

Questa preimpostazione ha tre livelli: basso, medio e alto.

Il livello di temperatura sarà indicato dall'indicatore luminoso della temperatura di Slow Cook. *(vedere pagina 10 - lettera M. - per l'illustrazione del pannello di controllo)*

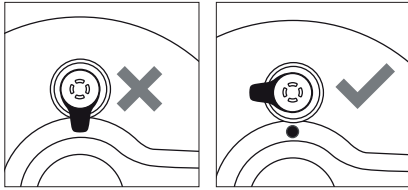
La funzione **REDUCE** è ideale per addensare e intensificare il sapore di salse, sciroppi e brodi.

### STEAM

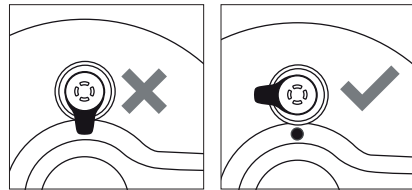
L'impostazione **STEAM** è ideale per cuocere a vapore alimenti come verdure, filetti di pesce e ravioli. Quando si cucina a vapore per più di 30 minuti, è consigliato aggiungere 1 tazza (250 ml) di acqua tiepida nel recipiente di cottura ogni 30 minuti per assicurare una resa omogenea di questo metodo di cottura.

Per ridurre la formazione di condensa sulle superfici esterne del coperchio e del manico,

si consiglia di girare la valvola di rilascio della pressione in posizione aperta.



pressione in posizione aperta per garantire una temperatura di cottura costante.



### **SOUS VIDE (sottovuoto)**

L'impostazione SOUS VIDE è ideale per cuocere il cibo a una temperatura molto precisa nell'acqua.

#### **Cos'è la cottura sottovuoto?**

La cottura sottovuoto è una tecnica di cottura che permette di cucinare il cibo al grado di cottura desiderato riscaldando l'acqua a una temperatura stabilita. Gli alimenti vengono messi in un sacchetto di plastica BPA resistente al calore, che viene immerso e cotto fino al punto desiderato, evitando il rischio di seccarsi a causa di una cottura eccessiva.

#### **Cosa serve per cucinare con la funzione Sous Vide?**

Sacchetti di plastica per alimenti BPA, spessi e resistenti al calore. Anche i sacchetti richiudibili sono adeguati a patto che la temperatura di cottura sia inferiore a 70°C.

#### **Devo sigillare i sacchetti sottovuoto?**

Non è necessario sigillare i sacchetti sottovuoto per il SOUS VIDE. Tuttavia, è necessario rimuovere quanta più aria possibile dal sacchetto e impedire all'acqua di entrare per ottenere risultati ottimali. Per usare il metodo che sfrutta la spinta idrostatica, mettere il cibo in un sacchetto richiudibile con doppia chiusura e calarlo in un contenitore pieno d'acqua. Una volta che la maggior parte dell'aria è fuoriuscita dal sacchetto, sigillarlo accuratamente sopra il livello dell'acqua.

#### **Il coperchio è aperto o chiuso?**

Si consiglia di utilizzare la funzione SOUS VIDE con il coperchio chiuso e in posizione bloccata, e di girare la valvola di rilascio della

### **Quando va effettuata la rosolatura?**

È possibile rosolare gli alimenti prima o dopo la cottura con la funzione SAUTÉ/SEAR. Se si rosola prima di usare la funzione SOUS VIDE, lasciare agli alimenti il tempo di riposare e raffreddare in frigorifero per una notte.

#### **Fasi del SOUS VIDE:**

1. Riempire il recipiente di cottura con acqua fresca fino a raggiungere la linea MAX. Per ridurre il tempo di preriscaldamento, iniziare con acqua ad una temperatura vicina a quella desiderata.
2. Premere SOUS VIDE e impostare la temperatura e il tempo desiderati. Chiudere il coperchio e premere START per avviare il riscaldamento dell'acqua.
3. Mettere gli alimenti in un sacchetto di plastica per il sottovuoto o in un sacchetto richiudibile. In assenza di un sacchetto sigillato specifico per il sottovuoto, si consiglia di utilizzare un sacchetto richiudibile con doppia chiusura. Aggiungere erbe aromatiche come alloro, rosmarino, fettine o scorza di limone e olio a piacere.
4. Quando l'acqua ha raggiunto la temperatura desiderata (la macchina emetterà un segnale acustico), posizionarvi con cura il sacchetto. Se il sacchetto galleggia, posizionare il sottopentola inossidabile con il lato superiore verso il basso sul sacchetto per tenerlo completamente immerso.
5. Chiudere e bloccare il coperchio ma assicurarsi che la valvola di rilascio della pressione sia in posizione aperta.
6. Allo scadere del tempo di cottura, rimuovere il sacchetto dall'acqua.

### Tempo e temperatura:

- FILETTO DI MANZO (spessore: 2,5 cm) – Cottura media – 54°C per 1 ora
- FILETTO DI POLLO (spessore: 2,5 cm) – Tenero – 65°C per 45 min
- FILETTO DI SALMONE (spessore: 2,5 cm) – Cottura media – 50°C per 40 min
- UOVA – in camicia – 64°C per 1 ora

## YOGURT

### Come utilizzare il pulsante rapido per il programma automatico yogurt

#### Yogurt naturale

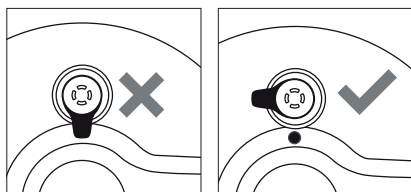
Tempo di preparazione: 10 minuti/  
Incubazione: 8 ore (più 1 ora e 30 minuti di raffreddamento)

1 litro di latte intero omogeneizzato

2 cucchiaini di yogurt naturale intero con colture vive e attive

#### FASE 1 - Scaldare il latte

Posizionare il recipiente di cottura in Fast Slow GO™. Aggiungere il latte. Chiudere e bloccare il coperchio e ruotare la valvola di rilascio della pressione in posizione aperta.



Premere YOGHURT e poi START. Il latte si riscalderà a 83°C e manterrà questa temperatura per 10 minuti.

Il processo di pastorizzazione uccide tutti i batteri nocivi che possono rovinare il latte ed elimina così anche i batteri che potrebbero ostacolare le colture attive dello yogurt.

#### FASE 2 - Raffreddare il latte

Aprire il coperchio e non premere nessun pulsante. La fase di raffreddamento raffredda automaticamente il latte

a 43°C. Questo processo assicura che l'apparecchio raggiunga la temperatura per la crescita ottimale delle colture iniziali. Se la temperatura è troppo alta le colture potrebbero morire. Per prima cosa, la parola "COOL" apparirà sullo schermo della pentola. Al termine del ciclo di raffreddamento, la pentola emetterà un segnale acustico quando raggiunge la temperatura corretta, dopo circa 1 ora e 30 minuti.



### SUGGERIMENTO

Raffreddando il latte con il coperchio aperto si formerà una pellicola sulla superficie. Rimuovere questa pellicola prima di aggiungere la coltura iniziale aiuta a garantire una consistenza più liscia dello yogurt.

#### FASE 3 - Incubare lo yogurt

Alla fine della seconda fase, la parola "ADD" apparirà sullo schermo della pentola. Mettere la coltura iniziale dello yogurt in una ciotola. Aggiungere ½ tazza (125 ml) del latte raffreddato e montare fino a raggiungere una consistenza liscia. Aggiungere e montare la miscela con il latte raffreddato nel recipiente di cottura. Chiudere e bloccare il coperchio; premere START per incubare per 5-8 ore. Quanto più lungo sarà il tempo di incubazione, tanto più aspro risulterà il gusto dello yogurt.

#### FASE 4 - Refrigerare

Quando la pentola emette un segnale acustico perché l'incubazione è completata, tirare fuori il recipiente di cottura, coprirlo con della pellicola e refrigerare fino a che lo yogurt diventa freddo. Una volta che lo yogurt è completamente freddo, trasferirlo in un contenitore ermetico e conservarlo in frigo fino a 2 settimane.



### SUGGERIMENTI

- Usando latte omogeneizzato si otterrà uno yogurt più liscio. Se il risultato non è omogeneo, usare una frusta sullo yogurt raffreddato per eliminare delicatamente i grumi.



- Per raffreddare più velocemente il latte scaldato, mettere il recipiente di cottura in un contenitore più grande con acqua ghiacciata, e controllare la temperatura con un termometro. Quando il latte ha raggiunto i 43°C, aggiungere ½ tazza (125 ml) del latte raffreddato alla coltura iniziale dello yogurt, montare fino ad ottenere una miscela omogenea, aggiungere e montare la miscela con il latte restante, pulire e asciugare il fondo esterno del recipiente e rimetterlo nella pentola a pressione.
- Per aumentare l'asprezza dello yogurt, aumentare il tempo di incubazione.

## KEEP WARM

La funzione KEEP WARM mantiene il cibo caldo a una temperatura di servizio sicura di 60°C o superiore, fino a 6 ore dalla fine di un ciclo di cottura. Se si usa KEEP WARM come funzione autonoma, è possibile eseguirla fino ad un massimo di 24 ore.

- Per usare KEEP WARM come funzione autonoma, con il coperchio chiuso tenere premuto il pulsante KEEP WARM sul pannello di controllo.
- La funzione KEEP WARM può essere attivata o disattivata in entrambe le modalità PRESSURE COOK e SLOW COOK usando il pulsante KEEP WARM sul pannello di controllo. L'indicatore "KEEP WARM" si illumina e il timer inizia il conteggio fino a un massimo di 6 ore dalla fine di un ciclo di cottura.



## NOTA

Per non compromettere la qualità del cibo, si raccomanda di usare la funzione KEEP WARM per non più di 1-2 ore.

## DELAY START

The Fast Slow GO™ ha una funzione timer per ritardare l'inizio della cottura fino a 24 ore. Questa funzione timer non si applica alle funzioni keep warm e steam.

La funzione DELAY START è disabilitata per la preimpostazione alimenti MEAT.



## ATTENZIONE

Non lasciare mai carne, pollo, pesce, uova o altri alimenti che vanno refrigerati a temperatura ambiente per più di due ore. I batteri si moltiplicano rapidamente a temperature tra i 4°C e i 60°C.

I seguenti passaggi mostrano come programmare la cottura ritardata:

- Regolare il tempo del ciclo di cottura e il livello di temperatura/pressione come desiderato.
- Premere il pulsante "DELAY START" per attivare la funzione DELAY START.
- Lo schermo mostrerà il tempo di avvio ritardato in ore e minuti.
- Usare i pulsanti del TEMPO (+/-) per regolare il ritardo in intervalli di 15 minuti fino a 24 ore.
- Premere nuovamente DELAY START in qualsiasi momento per uscire senza salvare l'impostazione di avvio ritardato.
- Premere START/CANCEL per attivare le impostazioni di cottura correnti con un tempo di avvio ritardato.
- Inizierà il conteggio alla rovescia del tempo e l'indicatore LED di preriscaldamento non si illuminerà durante l'avvio ritardato.

## REGOLAZIONE DELL'ALTITUDINE

La pressione si sviluppa e aumenta quando la temperatura all'interno del recipiente di cottura supera il punto di ebollizione. Con l'aumentare dell'altitudine, la temperatura di ebollizione dell'acqua diminuisce a causa della minore pressione dell'aria. Questo crea condizioni molto diverse per la cottura quando si utilizza una pentola a pressione.

Per mantenere gli stessi risultati di cottura ad altitudini diverse, the Fast Slow GO™ ha una funzione di regolazione dell'altitudine che consente di modificare le impostazioni in base all'altitudine della posizione corrente.

1. Per inserire l'altitudine, tenere premuti i pulsanti DELAY START e KEEP WARM per 2 secondi.
2. Premere i pulsanti del TEMPO (+/-) o i pulsanti della PRESSIONE/TEMPERATURA (+/-) per regolare l'altitudine.
3. Il display a quattro cifre mostra "Alt" e il numero, cambiando ogni secondo.
4. Premere il pulsante START per confermare e verrà emesso un segnale acustico.
5. Ora le impostazioni della pentola sono regolate in base all'altitudine corrente. Premendo un qualsiasi pulsante o uscendo quando scade il tempo, verrà salvato il valore di altitudine correntemente impostato. Per riportare l'altitudine alle impostazioni di fabbrica, regolare nuovamente l'altitudine a 0 metri.



### NOTA

È possibile trovare l'altitudine esatta su [www.elevationmap.net](http://www.elevationmap.net) o contattando il Servizio clienti di Sage.

## IMPOSTAZIONE DELL'UNITÀ DI MISURA

L'unità di misura predefinita è in Celsius (C). Per cambiare tra unità di misura metriche e imperiali, premere i pulsanti della PRESSIONE/TEMPERATURA (+/-) per 5 secondi e il display mostrerà una F per Fahrenheit. Premere nuovamente i pulsanti della PRESSIONE/TEMPERATURA (+/-) per 5 secondi per ritornare a Celsius; il display mostrerà una C.



## Manutenzione e pulizia

Prima di eseguire la pulizia, assicurarsi che la pentola sia spenta. Rimuovere la spina dalla presa di corrente e rimuovere l'estremità del connettore del cavo di alimentazione dalla base della pentola. Lasciare raffreddare completamente la pentola e tutti gli accessori prima di smontarli e pulirli.

Lavare il recipiente di cottura rimovibile con acqua tiepida e sapone, usando un panno morbido pulito o una spugna. Risciacquare con acqua pulita e asciugare accuratamente.

In caso di depositi di calcare nel corso del tempo, versare 2 cucchiaini di aceto di vino bianco e 1 tazza (250 ml) di acqua calda nel recipiente di cottura e riscaldare usando la funzione vapore per 10 minuti, prima di lasciar raffreddare e pulire con una spazzola per piatti.



### NOTA

Il recipiente di cottura rimovibile può essere lavato in lavastoviglie; tuttavia, si consiglia di lavarlo a mano con acqua calda e un detergente domestico delicato. Sciacquare e asciugare a fondo.

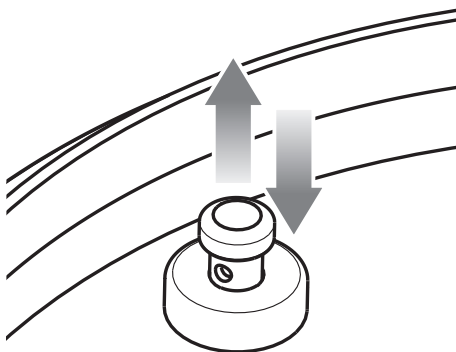


### ATTENZIONE

- Non utilizzare detersivi abrasivi, lana d'acciaio o pagliette perché potrebbero danneggiare l'esterno e l'interno dell'apparecchio.
- Non immergere l'alloggiamento o il cavo di alimentazione in acqua o in altro liquido perché ciò potrebbe causare una scossa elettrica mortale.
- Assicurarsi che il recipiente di cottura rimovibile sia posizionato correttamente nella base prima di iniziare la cottura.

## SMONTARE IL COPERCHIO:

- Estrarre delicatamente la guarnizione in gomma silconica da sotto il suo supporto. Controllare regolarmente che sia pulita, flessibile e priva di rotture. Evitare di usare l'elettrodomestico se appare danneggiata.
- Lavare l'interno del coperchio con una spugna o un panno bagnato e insaponato. Se necessario, usare una spazzola per rimuovere i residui di olio. Pulire con un panno umido pulito.
- Controllare regolarmente che il coperchio della valvola di rilascio della pressione sia pulito e privo di liquidi/resti di cibo. Rimuovere il coperchio della valvola di rilascio della pressione dal coperchio e pulirlo con un panno insaponato. Sciacquare bene e rifissarlo in posizione.
- La valvola di sicurezza della pressione va controllata e pulita regolarmente per evitare il rischio che si intasi e si blocchi. Lavare e pulire qualsiasi residuo di olio o cibo. Assicurarsi che la valvola si muova verso l'esterno e verso l'interno senza problemi dopo la pulizia.



## **GUARNIZIONE IN GOMMA SILICONICA:**

- Sostituire la guarnizione in gomma siliconica ogni 1-2 anni (consultare il centro assistenza Sage più vicino).
- Lavare la guarnizione con acqua calda e sapone. Risciacquare con acqua pulita, asciugare accuratamente e ricollocare nella posizione originale.
- La guarnizione in gomma siliconica può essere lavata nel cestello superiore della lavastoviglie per eliminare gli odori di spezie.
- Mettere la guarnizione in gomma siliconica in ammollo in una miscela di bicarbonato e acqua per aiutare ad eliminare gli odori prima della pulizia.



### **ATTENZIONE**

Se la guarnizione in gomma siliconica non è inserita correttamente nel suo supporto, il coperchio non si chiuderà in modo adeguato. Ciò potrebbe portare al malfunzionamento dell'apparecchio e alla fuoriuscita di vapore o liquido caldo che può causare ustioni o scottature.



### **SUGGERIMENTO**

Una miscela composta da ½ tazza (125 ml) di succo di limone, 1 cucchiaino di scorza di limone e 500 ml di acqua calda cucinata a pressione ALTA per 5 minuti può aiutare ad eliminare gli odori di cibo.

## **CONSERVAZIONE:**

- Assicurarsi che la pentola sia spenta. La pentola è spenta quando tutte le luci sul display sono spente.
- Scollegare il cavo di alimentazione dalla presa di corrente. Lasciare raffreddare completamente la pentola e tutti gli accessori prima di smontarli e pulirli.
- Assicurarsi che la pentola e tutti gli accessori siano puliti e asciutti.
- Assicurarsi che il recipiente sia inserito nella pentola.
- Assicurarsi che il coperchio sia chiuso e bloccato in posizione.
- Conservare l'elettrodomestico in posizione verticale e piana sulle gambe di supporto. Non riporre nulla sopra l'apparecchio.



## Risoluzione dei problemi

PROBLEMA	SOLUZIONE SEMPLICE
<b>Il coperchio non si apre alla fine del ciclo di cottura</b>	<ul style="list-style-type: none"> <li>• Premere il pulsante STEAM RELEASE finché tutta la pressione interna viene rilasciata e la pentola può essere aperta.</li> <li>• Se ciò accade spesso, potrebbe essere necessario regolare la pentola in base all'altitudine effettiva. Seguire le istruzioni nella sezione "Regolazione dell'altitudine".</li> </ul>
<b>L'indicatore led LID lampeggia e suona un allarme.</b>	<ul style="list-style-type: none"> <li>• Ruotare il coperchio nella posizione corretta per la cottura a pressione o la cottura lenta.</li> </ul>
<b>Fuoriesce vapore dal coperchio OPPURE Il perno di sicurezza non sale OPPURE La pentola non va in pressione OPPURE Il timer non effettua il conteggio alla rovescia. OPPURE Lo schermo mostra "SEAL"</b>	<ul style="list-style-type: none"> <li>• Montare il coperchio correttamente controllando che non vi sia spazio tra il braccio del coperchio e il coperchio in acciaio inossidabile. Il dado di tenuta deve essere avvitato saldamente.</li> <li>• Assicurarsi che la guarnizione del coperchio in silicone sia pulita, esente da danni o incrinature e sia inserita correttamente.</li> <li>• Assicurarsi che il perno di sicurezza si muova liberamente su e giù.</li> <li>• Quando il coperchio è chiuso, assicurarsi che il perno di sicurezza sia allineato correttamente all'interno dell'apertura del braccio del coperchio.</li> <li>• Assicurarsi che la valvola di rilascio della pressione sia inserita correttamente e rivolta verso la manopola del coperchio.</li> <li>• Aggiungere più liquido/alimenti nel recipiente. Il contenuto minimo dovrebbe essere pari a 1 litro, tra alimenti e liquidi.</li> <li>• Se il problema persiste, contattare il Servizio clienti Sage.</li> </ul>
<b>La pentola si accende automaticamente per mantenere gli alimenti in caldo senza passare attraverso un ciclo di cottura completo</b>	<ul style="list-style-type: none"> <li>• Aggiungere più acqua nella ciotola e riavviare il ciclo.</li> </ul>
<b>Si accumula acqua sul piano di lavoro</b>	<ul style="list-style-type: none"> <li>• Assicurarsi che la pentola si trovi su una superficie piana e che la vaschetta di raccolta della condensa sia installata sul retro della pentola. Seguire le istruzioni riportate nella sezione "Preparazione di the Fast Slow GO™" a pagina 13.</li> <li>• Svuotare la vaschetta di raccolta della condensa.</li> </ul>
<b>Lo schermo mostra "Err"</b>	<ul style="list-style-type: none"> <li>• Il display mostra "Err" quando l'apparecchio rileva un errore non ripristinabile. In questo caso, scollegare subito il cavo di alimentazione dalla presa di corrente e contattare il Servizio di assistenza Sage.</li> </ul>
<b>Ripristino valori di fabbrica</b>	<ul style="list-style-type: none"> <li>• Tenere premuti i pulsanti "Soup" (zuppa) e "Sous vide" (sottovuoto) per tre secondi per ripristinare le impostazioni, compreso il livello di altitudine.</li> </ul>



## Garanzia

### **GARANZIA LIMITATA DI 2 ANNI**

Sage Appliances offre una garanzia per l'utilizzo domestico di questo prodotto in specifiche aree geografiche, per 2 anni dalla data di acquisto. La garanzia copre eventuali malfunzionamenti causati da difetti di fabbricazione o dei materiali. Durante il periodo coperto dalla garanzia, Sage Appliances sarà tenuta a riparare, sostituire o rimborsare l'importo corrispondente ai prodotti difettosi (a sola discrezione di Sage Appliances).

Tutti i diritti di garanzia previsti dalla legislazione nazionale applicabile verranno rispettati e non possono essere annullati dalla presente garanzia. Per i termini e le condizioni complete della garanzia e per istruzioni su come inviare una richiesta di risarcimento, visitare il sito [www.sageappliances.com](http://www.sageappliances.com).





## Índice

- 2 Sage recomienda seguridad ante todo
- 10 Componentes
- 11 Panel de control
- 12 Programas de comidas
- 13 Programas de cocción
- 14 Funciones
- 26 Cuidado y limpieza
- 28 Resolución de problemas
- 29 Garantía

## SAGE RECOMIENDA SEGURIDAD ANTE TODO

**En Sage® nos preocupa mucho la seguridad. Para el diseño y la fabricación de nuestros productos de consumo tenemos en cuenta, antes que nada, la seguridad de nuestros clientes, como tú. También te rogamos que actúes cuidadosamente al usar cualquier electrodoméstico y que tomes las precauciones siguientes.**

## MEDIDAS DE SEGURIDAD IMPORTANTES

**LEE TODAS LAS INSTRUCCIONES ANTES DEL USO Y GUÁRDALAS PARA PODER CONSULTARLAS EN EL FUTURO.**

- Este documento está disponible para descargar en [sageappliances.com](http://sageappliances.com).
- No dejes que los niños se acerquen a la olla a presión cuando esté en uso.
- No pongas la olla a presión en un horno caliente.
- Mueve la olla a presión con mucho cuidado. No toques las superficies calientes. Utiliza las asas y pomos. Si es necesario, usa protección.



## **ADVERTENCIA**

No uses la olla a presión para un propósito diferente al que está destinada.

Este electrodoméstico cocina bajo presión.

El uso inadecuado de la olla a presión puede provocar escaldaduras. Asegúrate de que la olla esté bien cerrada antes de aplicar calor. Consulta las instrucciones de “Cocción a presión” en este manual.

- Nunca fuerces la olla a presión para abrirla. No abras antes de asegurarte de que su presión interna haya caído completamente. Consulta las instrucciones de “Liberación de vapor” en este libro.
- No se debe destapar la olla hasta que la presión haya disminuido lo suficiente.

- Nunca uses la olla a presión sin añadir agua, esto podría dañar el aparato seriamente.
- No llenes la olla más allá de 2/3 de su capacidad. Cuando cocines alimentos que se expanden durante la cocción, como el arroz o las verduras deshidratadas, no llenes la olla a más de la mitad de su capacidad.
- La fuente de calentamiento necesaria para cocinar está incluida en el electrodoméstico.
- Después de cocinar carne con piel (por ejemplo, lengua de buey) que puede hincharse bajo el efecto de la presión, no pinches la carne mientras la piel esté hinchada; podrías escaldarte.
- La superficie de la resistencia conserva calor residual después del uso.

- Cuando cocines alimentos con una textura espesa o pastosa, después de liberar vapor, agita suavemente la olla. Luego libera nuevamente el vapor si es necesario antes de retirar la tapa para evitar la expulsión de los alimentos.
  - Antes de cada uso, comprueba que las válvulas no estén obstruidas. Consulta las instrucciones de uso.
  - Nunca uses la olla a presión en su modo presurizado para freír alimentos ni con mucho ni con poco aceite.
  - No manipules ninguno de los sistemas de seguridad más allá de las instrucciones de mantenimiento especificadas en las instrucciones de uso.
  - Utiliza únicamente piezas de repuesto Sage® de acuerdo con el modelo correspondiente.
- En concreto, usa un cuerpo y una tapa de Sage® indicados como compatibles.
- Antes de usar el producto por primera vez, asegúrate de que la tensión de la toma de corriente coincida con la que figura en la etiqueta en la base del aparato. Si tienes alguna duda, ponte en contacto con tu compañía eléctrica local.
  - Retira y desecha de forma segura cualquier material de embalaje y etiquetas promocionales antes del uso.
  - Para evitar riesgos de asfixia de niños pequeños, retira y desecha correctamente la cubierta protectora acoplada al enchufe de este electrodoméstico.
  - Asegúrate siempre de que el aparato esté correctamente ensamblado antes de usarlo. Sigue las

instrucciones indicadas en este manual.

- Coloca siempre el extremo del conector del cable de alimentación en la entrada del dispositivo antes de insertar el enchufe de alimentación en la toma de corriente y encender el dispositivo. Asegúrate de que la entrada del electrodoméstico esté completamente seca antes de insertar el extremo del conector del cable de alimentación.
- Ten cuidado y evita derrames en el conector.
- No toques las superficies calientes. Las superficies del electrodoméstico están calientes durante y después de su funcionamiento. Para evitar quemaduras o lesiones personales, utiliza siempre agarradores o manoplas aislantes, o usa las asas o pomos del electrodoméstico si las tiene.
- No coloques el electrodoméstico cerca del borde de una encimera o mesa durante el funcionamiento. Asegúrate de que la superficie esté seca, nivelada, limpia y libre de cualquier líquido y otras sustancias.
- Los aparatos de cocina se deben colocar en un lugar estable con las asas (si las hubiera) debidamente posicionadas de modo que no se derramen líquidos calientes.
- Usa el aparato siempre sobre una superficie estable y resistente al calor. No lo uses sobre superficies cubiertas con tela y colócalo a una distancia mínima de 20 cm de paredes, cortinas, telas y otros materiales sensibles al calor.

- No coloques el electrodoméstico sobre o cerca de un quemador de gas caliente, un elemento eléctrico o un lugar donde pueda entrar en contacto con un horno caliente.
- No utilices el electrodoméstico sobre el escurridor del fregadero.
- No coloques la olla sobre una encimera de piedra cuando esté cocinando. Esto se debe a que las encimeras son sensibles al calor desigual y pueden rajarse si se calientan en puntos aislados. Si quieres cocinar con la olla de cocción lenta sobre la encimera, coloca una tabla de cortar o un tapete a prueba de calor debajo de la olla.
- No coloques nada, excepto la tapa, sobre la olla cuando esté ensamblada, cuando esté en uso y cuando esté guardada.
- No uses el asa de la tapa para transportar el electrodoméstico.
- Antes de colocar el recipiente de cocción extraíble en la base de acero inoxidable, asegúrate de que la base del recipiente y la base del electrodoméstico estén secas pasando un paño suave y seco.
- No uses un recipiente de cocción extraíble dañado. Sustitúyelo antes de usarlo.
- No coloques alimentos o líquidos directamente en la base de acero inoxidable. Solo el recipiente de cocción extraíble está diseñado para contener alimentos o líquidos.
- Antes de usar el aparato, comprueba siempre que la válvula de liberación

de presión y el pasador de bloqueo de seguridad no estén obstruidos y limpia si es necesario.

Asegúrate de que el pasador de bloqueo de seguridad se mueva libremente desde debajo de la tapa.

- No toques la válvula de liberación de presión mientras esté en uso.
- Usa solo el botón de liberación de vapor recomendado para despresurizar la olla después de usarla.
- Supervisa el aparato en todo momento mientras esté en funcionamiento.

### **MEDIDAS DE SEGURIDAD IMPORTANTES PARA TODOS LOS APARATOS ELÉCTRICOS**

- No utilices el electrodoméstico si está desgastado, se ha caído o está dañado de alguna forma.

- Desenrolla completamente el cable de alimentación antes del uso.
- Evita que el cable de alimentación sobresalga del borde de una encimera o una mesa, entre en contacto con superficies calientes o se enrede.
- Conecta solo a una toma de corriente de 220 - 240 V.
- Pon siempre el electrodoméstico en la posición de apagado (OFF), desenchúfalo y deja que todas las piezas se enfríen antes de moverlo, cuando no esté en uso, antes de limpiarlo y guardarlo.
- El aparato puede ser utilizado por niños mayores de 8 años y personas con discapacidades físicas o mentales, o sin experiencia ni conocimientos de uso,


siempre y cuando reciban supervisión o instrucciones para el uso seguro del aparato y comprendan los riesgos implicados.

- No permitas que los niños jueguen con el aparato.
- Los niños no deben realizar la limpieza y el mantenimiento del usuario a menos que sean mayores de 8 años y estén supervisados.
- Mantén el electrodoméstico y su cable fuera del alcance de niños menores de 8 años.
- Se recomienda inspeccionar regularmente el electrodoméstico. No utilices el aparato si el cable de alimentación, el enchufe o el aparato propiamente dicho están dañados. Ante cualquier daño o si se requiere

algún tipo de mantenimiento (que no sea la limpieza), ponte en contacto con el servicio de atención al cliente de Sage o visita [sageappliances.com](http://sageappliances.com).

- El uso de accesorios no vendidos o recomendados por Sage® puede provocar incendios, descargas eléctricas o lesiones.
- Este aparato es solo para uso doméstico. No se debe utilizar para fines distintos de su uso previsto. No se debe utilizar en vehículos o embarcaciones en movimiento. No se debe utilizar al aire libre. El uso inapropiado podría causar lesiones.
- Este aparato no está diseñado para utilizarse mediante un temporizador externo ni otros sistemas de control remoto.

- Se recomienda instalar un interruptor diferencial de seguridad para ofrecer protección adicional al usar aparatos eléctricos. Se recomienda instalar en el circuito eléctrico que alimenta el aparato un interruptor de seguridad con una corriente de funcionamiento residual nominal no superior a 30 mA. Solicita asesoramiento profesional a un electricista.

 Para evitar descargas eléctricas, no sumerjas el enchufe, el cable de alimentación ni el aparato en agua ni otros líquidos.



Este símbolo indica que el aparato no debe desecharse con la basura doméstica normal. Debe llevarse a un centro de recogida de residuos designado por las autoridades locales para ese fin o a una empresa que preste dicho servicio. Para obtener más información, ponte en contacto con los servicios municipales.

## ESPECIFICACIONES

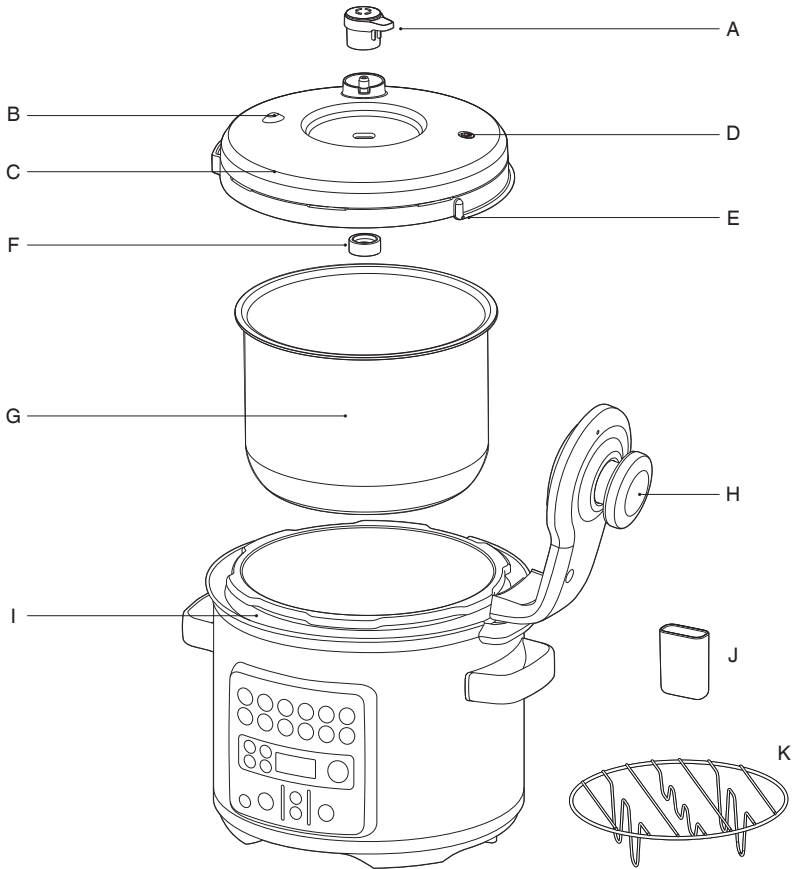
Modelo	SPR680
Volumen nominal	6 litros
Volumen utilizable	4 litros
Presión de funcionamiento	80 kPa
Fuente de calor	Resistencia eléctrica

Estas especificaciones pueden cambiar sin previo aviso.

**SOLO PARA USO DOMÉSTICO  
GUARDA ESTAS INSTRUCCIONES**



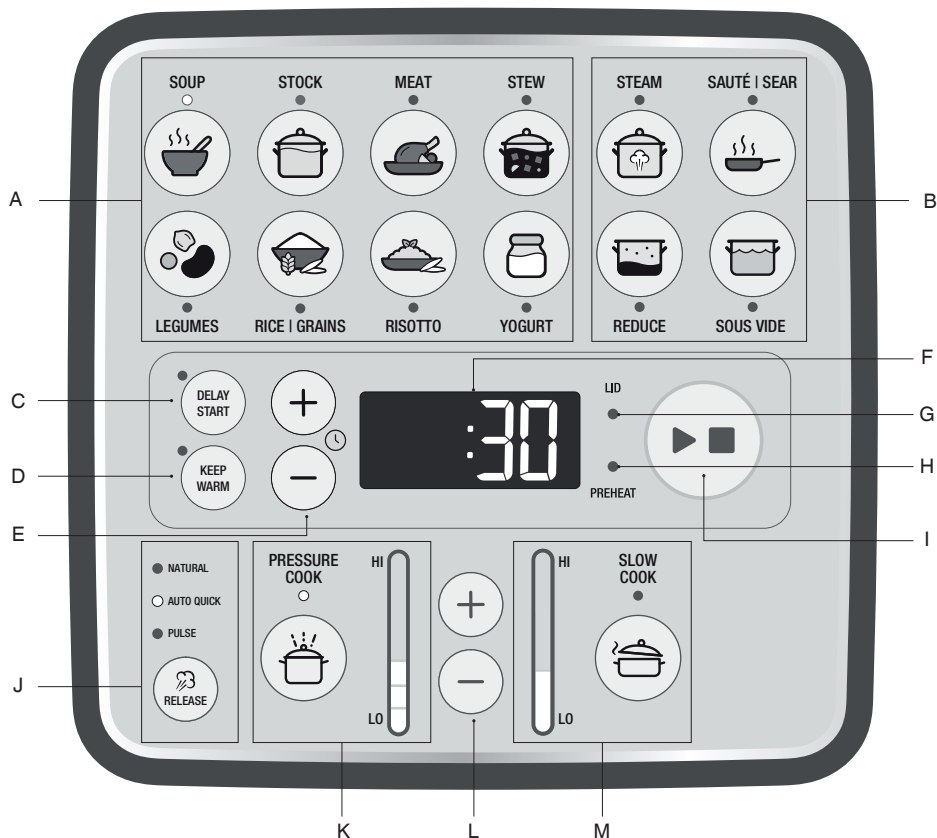
## Componentes



- A. Válvula de liberación de presión  
Controla automáticamente la velocidad a la que la olla libera vapor.
- B. Válvula de seguridad por sobrepresión
- C. Tapa extraíble apta para lavavajillas
- D. Pasador de bloqueo de seguridad  
El pasador se levanta cuando se alcanza el nivel de presión y actúa como un bloqueo de seguridad.
- E. Junta de silicona de la tapa  
Fácil de colocar para poder ensamblar y limpiar la tapa fácilmente.
- F. Tuerca de sellado
- G. Recipiente de cocción extraíble de 6 l
- H. Brazo de la tapa
- I. Borde antiderrames de limpieza fácil  
Atrapa el agua condensada para que tengas menos que limpiar.
- J. Taza de goteo de condensación
- K. Rejilla de acero inoxidable  
Eleva la comida para que no quede sumergida en líquidos al asar o cocinar al vapor.



## PANEL DE CONTROL



- A. Programas de comidas con indicadores luminosos
- B. Programas de cocción con indicadores luminosos
- C. RETRASAR INICIO
- D. MANTENER TEMPERATURA
- E. Botones +/- para ajustar el TIEMPO
- F. Pantalla LED
- G. Luz de advertencia para indicar si la tapa está bloqueada
- H. Indicador luminoso de PRECALENTADO
- I. Botón INICIAR/CANCELAR
- J. Botón de liberación de presión con indicador de modo seleccionado
- K. COCCIÓN A PRESIÓN con indicador luminoso  
Indicador del nivel de presión para el modo de cocción a presión
- L. Botones +/- para ajustar PRESIÓN y TEMPERATURA
- M. COCCIÓN LENTA con indicador luminoso  
Indicador de temperatura para el modo de cocción lenta

**CE** Datos técnicos:  
220 - 240 V ~50 - 60 Hz 900 - 1100 W

## PROGRAMAS DE COMIDAS

### PROGRAMA: COCCIÓN A PRESIÓN

MENÚ DE COMIDA	AJUSTE PREDETERMINADO	OPCIONES
Sopa	50 kPa - aprox. 110 °C 30 min RÁPIDO AUTOMÁTICO	10 kPa - 80 kPa Hasta 2 h
Caldo	80 kPa - aprox. 116 °C 1 h RÁPIDO AUTOMÁTICO	10 kPa - 80 kPa Hasta 2 h
Carne	80 kPa - aprox. 116 °C 1 h RÁPIDO AUTOMÁTICO	10 kPa - 80 kPa Hasta 2 h
Guiso	60 kPa - aprox. 112 °C 1 h RÁPIDO AUTOMÁTICO	10 kPa - 80 kPa Hasta 2 h
Legumbres	80 kPa - aprox. 116 °C 30 min NATURAL	10 kPa - 80 kPa Hasta 2 h
Arroz/Granos	50 kPa - aprox. 110 °C 10 min INTERMITENTE	10 kPa - 80 kPa Hasta 2 h
Risotto	40 kPa - aprox. 108 °C 7 min RÁPIDO AUTOMÁTICO	10 kPa - 80 kPa Hasta 2 h

### PROGRAMA: COCCIÓN LENTA

MENÚ DE COMIDA	AJUSTE PREDETERMINADO	OPCIONES
Sopa	ALTA - 95 °C 4 h MANTENER TEMPERATURA	Tiempo: 2 - 12 h Temp.: Alta - Baja Mantener temperatura: opcional
Caldo	ALTA - 95 °C 4 h MANTENER TEMPERATURA	Tiempo: 2 - 12 h Temp.: Alta - Baja Mantener temperatura: opcional
Carne	BAJA - 90 °C 8 h	Tiempo: 2 - 12 h Temp.: Alta - Baja Mantener temperatura: opcional
Guiso	BAJA - 90 °C 8 h	Tiempo: 2 - 12 h Temp.: Alta - Baja Mantener temperatura: opcional
Legumbres	ALTA - 95 °C 6 h	Tiempo: 2 - 12 h Temp.: Alta - Baja Mantener temperatura: opcional

<b>YOGUR</b>	Fase 1	Fase 2	Fase 3	Tiempo: 8 - 16 h
	Escaldado	Enfriado*	Incubado	Temp.: n/d
	10 min	Hasta 3 horas	8 horas	Mantener temp.: no
	Temp.: 83 °C	Temp.: de 83 °C a 43 °C	Temp.: 43 °C	
	NO MANTENER TEMPERATURA	NO MANTENER TEMPERATURA	NO MANTENER TEMPERATURA	

**\* Tiempo de enfriamiento con la olla destapada (para 2 l de leche):**

Puede tardar hasta 1 h 20 min en bajar de 83 °C a 43 °C.

Tiempo de enfriamiento con la olla tapada (para 2 l de leche):

Puede tardar hasta 3 h en bajar de 83 °C a 43 °C.

## PROGRAMAS DE COCCIÓN

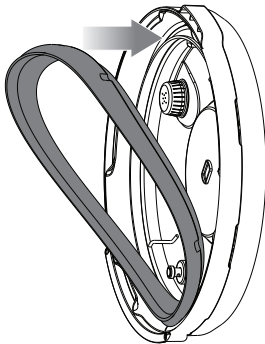
PROGRAMA	TIEMPO/TEMP. PREDETERMINADOS	OPCIONES
<b>SALTEADO/ SELLADO</b>	CUENTA ASCENDENTE Temp.: Alta - (sellar) 168 °C Media - (saltear) 150 °C Baja - (saltear) 130 °C	Tiempo: n/d Mantener temperatura: no
<b>REDUCCIÓN</b>	ALTA 10 min Temp.: Baja - 105 °C Media - 115 °C Alta - 130 °C	Tiempo: 1 min - 2 h Mantener temperatura: opcional
<b>AL VAPOR</b>	15 min Temp.: 100 °C	Tiempo: 1 min - 1 h Temp.: n/d Mantener temperatura: no
<b>AL VACÍO</b>	1 h Temp.: 57 °C	Tiempo: 1 min - 24 h Temp.: 30 °C - 90 °C Mantener temp.: no
<b>MANTENER TEMPERATURA</b>	2 h CUENTA ASCENDENTE Temp.: 70 °C	



## Funciones

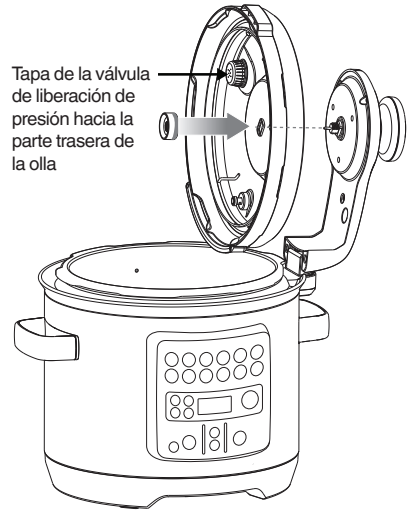
### ANTES DEL PRIMER USO

1. Retira y desecha de forma segura los materiales de embalaje, etiquetas promocionales y cinta adhesiva de la olla.
2. Abre la tapa girando el pomo hacia la izquierda y levantando la tapa hacia arriba y afuera del electrodoméstico hasta que esté en la posición abierta de bisagra flotante. Desatornilla y retira la tuerca de sellado del centro de la tapa y retira la tapa para extraerla del brazo de la tapa.
3. Lava la tapa, el recipiente de cocción extraíble y la junta de silicona de la tapa en agua jabonosa caliente, luego enjuaga y seca bien. Limpia el interior y el exterior de la base con un paño suave y húmedo, y seca bien.
4. Coloca la junta de silicona limpia de forma segura alrededor del aro metálico en la parte inferior de la tapa. Ajusta la posición si es necesario para que se asiente cómodamente y esté libre de distorsiones.



5. Para volver a colocar la tapa, orienta la tapa de modo que el alojamiento de la válvula de liberación de vapor esté en la parte posterior de la unidad, y luego alinea el centro de la tapa con el perno en la parte inferior del brazo de la tapa y empuja hasta su posición

para exponer la rosca del tornillo. Asegura la tapa atornillando la tuerca de sellado de manera que la junta roja toque la superficie de la tapa.



6. Limpia y seca la parte inferior del recipiente de cocción extraíble y el sensor de temperatura, asegurándote de que no haya materiales extraños en la superficie. El recipiente de cocción extraíble debe quedar plano sobre el sensor de temperatura para asegurar un contacto adecuado.
7. Coloca la taza de goteo de condensación en su sitio.
8. Coloca el extremo del conector del cable de alimentación en la base de la olla, asegurándote de que esté completamente seca. Enchúfala en una toma de corriente de 230 - 240 voltios con conexión a tierra.
  - Establece el nivel de altitud (sobre el nivel del mar): la máquina mostrará Ajustar - Alt - (distancia) - metros.
  - Pulsa los botones de TIEMPO (+/-) para ajustar la altitud todo lo posible, entre 0 y 2000 metros.
  - Pulsa COMENZAR para confirmar.

9. La alerta de la olla sonará y la pantalla LED se iluminará.
10. Recomendamos iniciar un ciclo de cocción de 15 minutos con agua sola para eliminar cualquier sustancia protectora que pudiera quedar en el recipiente de cocción y la resistencia.



## NOTA

La olla a presión no debe utilizarse en altitudes superiores a 2000 metros. Cuanto mayor sea la altitud, mayor será el tiempo de cocción necesario para obtener resultados óptimos. En estas zonas de gran elevación, extienda el tiempo de cocción según sea necesario para lograr el resultado de comida deseado.



## ADVERTENCIA

Utiliza únicamente el recipiente diseñado para este aparato. Utilizar un recipiente no compatible causará un problema que no se puede solucionar mediante un restablecimiento.

## AJUSTES DEL PANEL DE CONTROL

The Fast Slow GO™ incluye 6 programas de cocción: cocción a presión, cocción lenta, reducción, salteado/sellado, cocción a vapor y cocción al vacío. Además dispone de 8 ajustes de comidas: sopa, caldo, carne, guiso, legumbres, arroz/granos, risotto y yogur.

## PROGRAMAS DE COMIDAS

El panel de control muestra 8 programas de comidas que puedes seleccionar fácilmente.

Al pulsar cualquiera de los 8 botones se establecerán los ajustes predeterminados para lograr los mejores resultados posibles según el tipo de alimento en cuestión.

Esto incluye cambiar a los modos de COCCIÓN A PRESIÓN o COCCIÓN LENTA.

Dependiendo del modo de cocción, al seleccionar un programa de comida se establecerán la PRESIÓN o la

TEMPERATURA, el tiempo de cocción y el modo de liberación de presión, así como la activación o desactivación de la función MANTENER TEMPERATURA.

El tiempo de cocción, la opción de MANTENER TEMPERATURA y RETRASAR INICIO se pueden ajustar sin salir del programa de comida seleccionado. Las modificaciones en los niveles de presión o temperatura, o en los ajustes de liberación de presión, dependiendo del modo en el que esté el producto, cambiarán el aparato a modo personalizado.


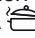
La tabla a continuación muestra qué platos se pueden cocinar pulsando A PRESIÓN o COCCIÓN LENTA al elegirlos en el menú de comida.

MENÚ DE COMIDA	A PRESIÓN	COCCIÓN LENTA
Sopa	✓	✓
Caldo	✓	✓
Carne	✓	✓
Guiso	✓	✓
Legumbres	✓	✓
Arroz/Granos	✓	✗
Risotto	✓	✗
Yogur	✗	✓

## PASOS SIMPLES PARA PROGRAMAS

Por ejemplo:

### SOPA

- Pulsa el icono de SOPA  en la interfaz.
- La interfaz sugerirá automáticamente un programa de cocción a presión, si corresponde.  
Para seleccionar un programa de cocción lenta, pulsa el botón COCCIÓN LENTA .
- La interfaz mostrará automáticamente el tiempo de cocción exacto y el nivel de presión para la sopa.
- El tiempo de cocción se puede modificar pulsando los botones +/-.
- Pulsa INICIAR para empezar a cocinar cuando hayas añadido los ingredientes.



## CONSEJO

Si lo deseas, puedes saltear las verduras o sellar la carne antes de cocinarlas con el programa SALTEADO/SELLADO. Cuando hayas terminado, pulsa CANCELAR para dejar de saltear o sellar y selecciona el siguiente programa de cocción.




## NOTA

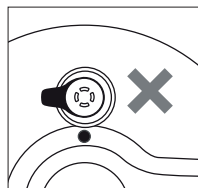
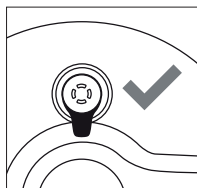
- Si es la primera vez que cocinas a presión, la liberación de la presión puede sorprenderte. Cuando se libere una gran cantidad de vapor, mantén siempre las manos y la cara alejadas de la válvula de liberación de presión. Consulta la página 17 para obtener más información sobre la liberación de vapor variable y las precauciones que debes tomar.
- Consulta la sección “Programas de comidas” y “Programas de cocción” para obtener más información sobre las recomendaciones de los programas.
- Si todas las luces de los indicadores de los programas de comidas están apagadas, es porque el aparato está en modo manual. Pulsa un botón de programa de comida para restablecer la configuración predeterminada.
- El modo de liberación de vapor o presión programado en los modos de cocción preestablecidos se selecciona para obtener mejores resultados. Cualquier cambio en el modo de liberación de vapor puede provocar un derrame de alimentos.

## MODO DE COCCIÓN A PRESIÓN MANUAL

La cocción a presión es un método para cocinar alimentos en un poco de líquido con una tapa sellada por una junta, que retiene el vapor en el interior de la olla y genera presión. El aumento de presión eleva la temperatura del líquido y del vapor interior muy por encima del punto de ebullición. Esto permite que los alimentos se cocinen

hasta un 70 % más rápido. Dado que se consume menos energía, ahorrarás tiempo y dinero. Como la cocción a presión requiere muy poco líquido, se potencian los sabores naturales de los alimentos y se conservan más sus vitaminas, minerales y otros nutrientes.

1. Para seleccionar el modo de cocción a presión manual, mantén pulsado el botón A PRESIÓN  durante 2 segundos.
2. Ajusta la presión de cocción con los botones PRESIÓN/TEMPERATURA (+/-). La presión se puede ajustar de 10 kPa (BAJA) a 80 kPa (ALTA).
3. Los dígitos en la pantalla LED indican el tiempo de cocción preestablecido para el ajuste seleccionado. Pulsa los botones de TIEMPO (+/-) junto a la pantalla de 4 dígitos para reducir o aumentar el tiempo de cocción. El tiempo se puede ajustar hasta 2 horas.
4. Pulsa el botón VAPOR para seleccionar entre los métodos de liberación de vapor NATURAL, RÁPIDO AUTOMÁTICO e INTERMITENTE.
5. Coloca los alimentos en el recipiente de cocción extraíble. Asegúrate de que haya al menos 1 litro de alimentos y líquidos combinados en el recipiente.
6. Cierra la tapa y gira el pomo hacia la derecha para bloquearla en su sitio. La alerta de la olla sonará cuando se haya bloqueado la tapa.
7. Asegúrate de que la válvula de liberación de presión esté colocada en la tapa en la posición cerrada.



8. Pulsa INICIAR para empezar a cocinar. El botón INICIAR/CANCELAR se iluminará en naranja y se encenderá la luz de PRECALENTADO.

**NOTA**

Es normal que la olla libere pequeñas ráfagas de vapor mientras se estabiliza.

9. Si la tapa no se ha bloqueado correctamente, la luz del indicador TAPA parpadeará y el aparato emitirá un pitido. La cocción se detendrá hasta que la tapa esté en la posición correcta. Gira el pomo de la tapa hacia la derecha para bloquearla y empezar a cocinar.
10. Una vez que la olla haya alcanzado la presión, la luz de PRECALENTADO se apagará, la alerta de la olla sonará y el temporizador comenzará la cuenta atrás.
11. El tiempo se puede ajustar durante el ciclo de cocción a presión pulsando los botones de TIEMPO (+/-). El ciclo se puede pausar en cualquier momento pulsando el botón INICIAR/CANCELAR. Para finalizar el ciclo, mantén pulsado INICIAR/CANCELAR durante 2 segundos. Si ya hay presión en el recipiente, pasará inmediatamente al ciclo de liberación de vapor.
12. Al final del ciclo de cocción a presión, sonará la alerta de la olla y el vapor se liberará automáticamente a través de la válvula de liberación de presión. El icono de vapor parpadeará y el temporizador comenzará a contar hacia adelante.
13. Si se selecciona la liberación de vapor NATURAL, la presión disminuirá naturalmente en el recipiente sin forzar el vapor a través de la válvula de liberación de presión. El ajuste de liberación de vapor se puede cambiar durante el ciclo de liberación de vapor pulsando el botón VAPOR.
14. Al final del ciclo de liberación de vapor, sonará la alerta de la olla, la pantalla parpadeará y, si la luz de MANTENER TEMPERATURA está encendida, el temporizador comenzará a contar hacia adelante.
15. Abre la tapa girando el pomo hacia la izquierda y levantando con cuidado la tapa a la posición abierta de bisagra flotante.

16. Después de 5 minutos de inactividad, se activará el modo de espera. La luz LED se apagará.

**PRECAUCIÓN**

Para evitar escaldaduras por vapor, no coloques la cara o las manos sobre la olla cuando retires la tapa.

**ADVERTENCIA**

Si la tapa no se desbloquea, esto indica que el electrodoméstico todavía está bajo presión. No fuerces la tapa para abrirla, ya que la presión restante puede ser peligrosa.

Mantén pulsado el botón VAPOR para liberar vapor de forma manual.

**TABLA DE COCCIÓN A PRESIÓN**

Consulta esta tabla para conocer la temperatura aproximada para cada nivel de kPa:

Nivel de presión (kPa)	Temperatura (°C)
10	102
20	104
30	106
40	108
50	110
60	112
70	114
80	116

**LIBERACIÓN DE VAPOR VARIABLE**

The Fast Slow GO™ dispone de 3 métodos de liberación de vapor:

**Rápido automático**

La presión se libera rápidamente para minimizar el exceso de cocción de los alimentos o las recetas con tiempos de cocción cortos.

Esto se recomienda solo para los tipos de alimentos que no se expanden ni hacen espuma al hervir.

## Intermitente

La presión se libera en ráfagas para reducir el efecto en los alimentos en el interior.

Esto se recomienda para los tipos de alimentos que generan una pequeña cantidad de espuma o que no hacen espuma al hervir.

## Natural


La presión disminuye naturalmente en el interior sin liberar vapor a través de la salida de vapor para evitar agitar o romper los ingredientes delicados, como los caldos y las judías durante la liberación de la presión.

El modo de liberación de presión natural es adecuado para todo tipo de recetas.



## NOTA

Algunos tipos de alimentos (por ejemplo, legumbres) que se sabe que generan un exceso de espuma solo pueden utilizar la liberación de presión "natural" para evitar el derrame de alimentos.

Estos métodos se pueden seleccionar utilizando el botón VAPOR  en el panel de control durante los ciclos de configuración y liberación de vapor. Una vez seleccionado, la válvula de liberación de presión liberará automáticamente el vapor al final del ciclo de cocción a presión.

Si mantienes pulsado el botón VAPOR durante o después de un ciclo de cocción, se abrirá la válvula de liberación de presión.



## NOTA

El modo de liberación de vapor o presión programado en los modos de cocción preestablecidos se selecciona para obtener mejores resultados. Cualquier cambio en el modo de liberación de vapor puede provocar un derrame de alimentos.




## PRECAUCIÓN

Mantén siempre las manos y la cara alejadas de la válvula de liberación de presión cuando cocines a presión, ya que pueden emitirse vapor caliente y agua durante el funcionamiento.

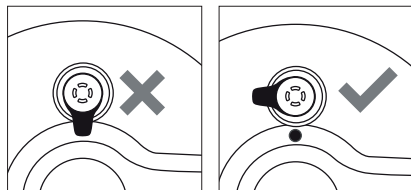
## MODO DE COCCIÓN LENTA MANUAL

La función de cocción lenta está diseñada para largos tiempos de cocción a bajas temperaturas. También es ideal para enternecer cortes duros de carne y desarrollar sabores intensos.

1. Selecciona la cocción lenta  en la interfaz.
2. La pantalla LED indica la temperatura preestablecida para el programa de comida seleccionado. Si quieres, puedes pulsar los botones PRESIÓN/TEMPERATURA (+/-) para reducir o aumentar la temperatura. La temperatura se puede ajustar a una de las dos opciones predeterminadas: ALTA Y BAJA.
3. La pantalla LED indica el tiempo de cocción preestablecido para la comida seleccionada. Pulsa los botones de TIEMPO (+/-) para reducir o aumentar el tiempo de cocción. El tiempo se puede ajustar entre 2 y 12 horas.
4. El indicador MANTENER TEMPERATURA se activará automáticamente después del ciclo de cocción lenta. Pulsa el botón MANTENER TEMPERATURA en el panel de control para seleccionar o deseleccionar la función.
5. Coloca los alimentos en el recipiente de cocción extraíble. Asegúrate de que haya al menos 1 litro de alimentos y líquidos combinados en el recipiente.
6. Cierra y bloquea la tapa.



7. Gire la válvula de liberación de presión a la posición abierta.



8. Pulsa INICIAR para empezar a cocinar. El botón INICIAR/CANCELAR se iluminará en naranja.
9. Se mostrará el temporizador y empezará la cuenta atrás automáticamente. El tiempo se puede ajustar durante el ciclo de cocción lenta pulsando los botones de TIEMPO (+/-). El ciclo se puede pausar en cualquier momento pulsando el botón INICIAR/CANCELAR. Los ajustes de cocción se pueden ajustar mientras el ciclo está en pausa. Si vuelves a pulsar INICIAR/CANCELAR, se reanudará la cocción con los nuevos ajustes.



## NOTA

Para liberar vapor durante la pausa, mantén pulsado el botón VAPOR. Durante la cocción lenta, es posible que se acumule algo de presión y eso dificulte la apertura de la tapa. Si esto ocurre, pulsa el botón VAPOR hasta que se libere toda la presión interna y se pueda abrir la olla.

10. Al final del ciclo de cocción lenta, la olla cambiará automáticamente a la función MANTENER TEMPERATURA. Se iluminará el indicador de MANTENER TEMPERATURA y el temporizador comenzará a contar hasta un máximo de 6 horas. El ciclo para mantener la temperatura se puede pausar en cualquier momento pulsando el botón INICIAR/CANCELAR.
11. Si no se ha seleccionado MANTENER TEMPERATURA, sonará la alerta de la olla y el botón de INICIAR/CANCELAR se apagará.
12. Después de 5 minutos de inactividad, se activará el modo de espera. La luz se apagará.

## CONSEJOS PARA COCCIÓN A PRESIÓN Y COCCIÓN LENTA

### Sopa

- El programa SOPA, con modos de cocción a presión o lenta, permite preparar una gran variedad de sopas, desde caldos ligeros hasta contundentes menestras y cremas de verduras.
- Usa la opción SALTEADO/SELLADO para dorar la carne y ablandar las verduras antes de cocinar.
- Para acortar el tiempo de presurización, añade agua o caldo fríos al recipiente mientras está en modo SALTEADO/SELLADO y deja que el agua hierva lentamente antes de cocinar a presión.
- No llenes en exceso el recipiente de cocción. El volumen total de la sopa no debe exceder la marca de nivel máximo dentro del recipiente de cocción extraíble.

### Caldo

- El programa CALDO, con modos de cocción a presión o lenta, permite preparar todo tipo de caldos, incluidos los de pollo, ternera y verduras.
- Para guisar un fondo oscuro, usa el programa SALTEADO/SELLADO para dorar los huesos y las verduras antes de cocinar a presión o lentamente.
- Es mejor cortar las verduras como cebollas, zanahorias y apio en trozos grandes. De esta manera, el caldo quedará transparente y será más fácil colarlo cuando esté listo.
- Para acortar el tiempo de presurización, añade agua fría al recipiente mientras está en el programa SALTEADO/SELLADO y deja que el agua hierva lentamente antes de cocinar a presión.
- No llenes en exceso el recipiente de cocción. El volumen total del agua, huesos o verduras y condimentos no debe exceder la marca de nivel máximo dentro del recipiente de cocción extraíble.

## Carne

- El programa CARNE, con modos de cocción a presión o lenta, usa presión y temperaturas altas para disolver el tejido y conseguir resultados tiernos y succulentos. Las salsas espesan y ganan cuerpo.
- Elige cortes de carne veteados para obtener los mejores sabores y texturas.
- Corta los trozos de carne más grandes en 2 o 3 trozos para que quepan mejor en el recipiente de cocción.
- Usa el programa SALTEADO/SELLADO para dorar la carne en tandas antes de cocinar.
- A diferencia del guisado o estofado tradicional, la cocción a presión y la cocción lenta casi no producen evaporación. Para preparar platos exquisitos, usa menos líquido de lo que se indica en las recetas tradicionales, como máximo entre 1 vaso y 1½ (250 y 375 ml).
- No llenes en exceso el recipiente de cocción. El volumen total de los ingredientes crudos no debe exceder la marca de nivel máximo dentro del recipiente de cocción extraíble.

## Guiso

- El programa GUIISO, con opciones de cocción a presión o lenta, es perfecto para cocinar carne picada, salsas para carne y estofados sustanciosos.
- Usa el programa SALTEADO/SELLADO para dorar la carne y ablandar las verduras antes de cocinar.
- A diferencia de los métodos de guisado tradicionales, la cocción a presión y la cocción lenta casi no producen evaporación. Para preparar sabrosos y espesos chilis y guisos, usa menos líquido de lo que se indica en las recetas tradicionales. Usa el programa REDUCCIÓN después de cocinar para espesar los platos que queden demasiado caldosos.
- No llenes en exceso el recipiente de cocción. El volumen total de los ingredientes crudos para el guiso no debe exceder la marca de nivel máximo dentro del recipiente de cocción extraíble.

## Legumbres

- El programa LEGUMBRES, con modos de cocción a presión o lenta, permite preparar todo tipo de legumbres, lentejas y judías crudas.
- Las legumbres pueden generar mucha espuma durante la cocción. El modo de liberación de vapor NATURAL garantiza que la espuma no interfiera con la válvula de liberación de vapor.
- Los tiempos de cocción están pensados para legumbres crudas sin poner en remojo. Pon en remojo las legumbres en agua fría la noche anterior para acortar el tiempo de cocción. Desecha el agua de remojo y cocina con agua fría nueva durante la mitad del tiempo del programa.
- Usa 3 partes de agua por cada parte de legumbres.
- Las legumbres se hinchan y duplican su tamaño después de cocinarse. No llenes en exceso el recipiente de cocción. El volumen total de las legumbres crudas y el agua no debe exceder la marca de nivel ½ dentro del recipiente de cocción extraíble.

## Arroz | Granos

- El programa ARROZ, con modo de cocción a presión, permite preparar arroz y cereales de forma que los granos queden sueltos y tiernos. Es adecuado para todo tipo de arroces, como el arroz de grano largo, jazmín, basmati o integral.
- Si vas a cocinar arroz integral a presión, aumenta el tiempo de cocción en 20 minutos.
- Mide o pesa el arroz crudo de forma precisa y lávalo bien con agua fría hasta que el agua salga transparente. Seca los granos y colócalos en el recipiente de cocción extraíble.
- Añade la cantidad de agua correspondiente. Consulta la tabla de cocción para arroz/ granos y legumbres en la página web de Sage para obtener más información.
- Cuando termine la cocción, deja que el arroz repose en el recipiente 5 minutos antes de remover y servir.

- El arroz duplicará o triplicará su tamaño después de la cocción. No llenes en exceso el recipiente de cocción. El volumen total del arroz crudo y el líquido no debe exceder la marca de nivel  $\frac{1}{2}$  dentro del recipiente de cocción extraíble.

### Risotto

- El programa RISOTTO, con modo de cocción a presión, es perfecto para preparar risottos cremosos en menos tiempo y sin tener que remover.
- Usa el programa SALTEADO/SELLADO para pochar cebollas, verduras y condimentos, así como para desglasar el recipiente de cocción con vino.
- La clave para preparar un risotto cremoso es tostar los granos de arroz antes de agregar el líquido. Utiliza el programa SALTEADO/SELLADO para tostar el arroz. Remueve con frecuencia, entre 3 y 5 minutos o hasta que los bordes se vuelvan transparentes y luego blancos.
- Ya que durante la cocción a presión casi no se produce evaporación, es importante mantener la proporción de 3 partes de caldo por cada parte de arroz. Si vas a añadir muchas verduras al risotto, reduce el caldo en un tercio.
- El arroz duplicará o triplicará su tamaño después de la cocción. No llenes en exceso el recipiente de cocción. El volumen total del arroz crudo y el caldo no debe exceder la marca de nivel  $\frac{1}{2}$  dentro del recipiente de cocción extraíble.

## OTROS PROGRAMAS:

### SALTEADO/SELLADO

Este programa tiene tres niveles: salteado bajo, salteado medio y sellado.

El nivel de temperatura se reflejará en la barra iluminada del modo Cocción lenta.

*(Consulta la página 11, letra M, para ver una ilustración del panel de control).*

El programa SALTEADO es ideal para pochar y caramelizar el ajo, las cebollas y las verduras antes de la cocción a presión

o lenta. El programa SALTEADO se corresponde con los niveles de temperatura MEDIA y BAJA de tu aparato.

El programa SELLADO está diseñado para mejorar y profundizar el sabor de las comidas utilizando el mismo recipiente de cocción para caramelizar y dorar los alimentos antes de la cocción a presión o lenta. El programa SELLADO se corresponde con el nivel de temperatura ALTA de tu aparato.

### REDUCCIÓN

Este programa cuenta con tres niveles: bajo, medio y alto.

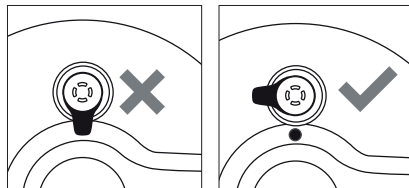
El nivel de temperatura se reflejará en la barra iluminada del modo Cocción lenta. *(Consulta la ilustración del panel de control en la página 11, letra M).*

El programa REDUCCIÓN es ideal para espesar e intensificar el sabor de salsas, siropes y caldos.

### AL VAPOR

El programa AL VAPOR es ideal para cocinar alimentos como verduras, filetes de pescado y dumplings. Cuando se cocina al vapor durante más de 30 minutos, se recomienda añadir 1 vaso (250 ml) de agua tibia en el recipiente de cocción cada 30 minutos para que la cocción sea uniforme.

Para reducir la cantidad de condensación que se acumula en las superficies de la tapadera y el asa, se recomienda girar la válvula de liberación de presión hacia la posición abierta.



## AL VACÍO

El programa AL VACÍO es ideal para cocinar alimentos en un baño de agua a una temperatura exacta.

### ¿Qué es la cocción al vacío?

La cocción al vacío es un técnica culinaria que permite cocinar alimentos al punto deseado calentando agua a una temperatura fija. La comida se coloca en una bolsa de plástico sin BPA apta para alimentos y resistente a altas temperaturas, que luego se sumerge en agua para cocinar los alimentos al punto deseado sin riesgo de que queden secos o demasiado hechos.

### ¿Qué se necesita para cocinar con el programa de cocción al vacío?

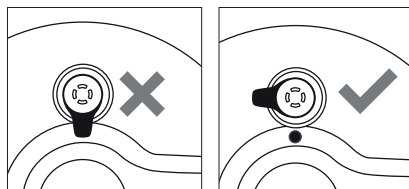
Bolsas de plástico gruesas sin BPA aptas para alimentos y resistentes a altas temperaturas. También puedes usar bolsas herméticas para alimentos si la temperatura de cocción es menor de 70 °C.

### ¿Debo cerrar al vacío las bolsas?

No hace falta cerrar al vacío las bolsas para el programa COCCIÓN AL VACÍO, pero debes eliminar tanto aire como puedas de la bolsa y evitar que entre agua en ella para lograr resultados óptimos. Para utilizar el método de desplazamiento en agua, coloca la comida en una bolsa para alimentos con doble cierre. Después, sumerge la bolsa en un recipiente con agua. Cuando hayas retirado casi todo el aire de la bolsa, ciérrala con cuidado ligeramente por encima del nivel del agua.

### ¿Debo cerrar la tapa o dejarla abierta?

Recomendamos usar el programa AL VACÍO con la tapadera cerrada y en la posición de bloqueo, además de girar la válvula de liberación de presión hacia la posición abierta para asegurar que la temperatura de cocción sea uniforme.



### ¿Cuándo tengo que sellar?

Puedes sellar la comida antes o después de cocinarla con el programa SALTEADO/SELLADO. Si decides sellar antes de utilizar el programa AL VACÍO, permite que la comida repose y se enfríe durante toda la noche en el frigorífico.

### Pasos para cocinar al vacío:

1. Llena el recipiente de cocción con agua fría hasta la línea de máximo. Para reducir el tiempo de precalentado, empieza con agua a una temperatura que se aproxime a la deseada.
2. Pulsa AL VACÍO y establece la temperatura y el tiempo deseados. Cierra la tapa y pulsa INICIAR para comenzar a calentar el agua.
3. Coloca la comida en una bolsa de plástico para cocción al vacío o una bolsa para alimentos con cierre. Si no dispones de una bolsa específica para cocción al vacío, recomendamos usar una bolsa de plástico para alimentos con doble cierre. Aromatiza, por ejemplo, con hojas de laurel, romero, rodajas o ralladura de limón, y aceite según prefieras.
4. Cuando el aparato emita un pitido, el agua habrá alcanzado la temperatura deseada y podrás colocar la bolsa en el baño de agua con cuidado. Si la bolsa flota, coloca la rejilla inoxidable boca abajo sobre la bolsa para que quede completamente sumergida.

5. Cierra y bloquea la tapa, pero asegúrate de que la válvula de liberación de presión esté en posición abierta.
6. Cuando termine el tiempo de cocción, retira la bolsa del baño de agua.

### Temperatura y tiempo:

- LOMO BAJO DE TERNERA  
(2,5 cm de grosor) – Al punto –  
54 °C durante 1 hora
- PECHUGAS DE POLLO  
(2,5 cm de grosor) – Tierna –  
65 °C durante 45 minutos
- FILETES DE SALMÓN  
(2,5 cm de grosor) – Medio hecho –  
50 °C durante 40 minutos
- HUEVOS – Pochado – 64 °C durante 1 hora

## YOGUR

### ¿Cómo se usa el programa automático para yogur?

#### Yogur natural

Tiempo de preparación: 10 minutos/

Fermentación: 8 horas

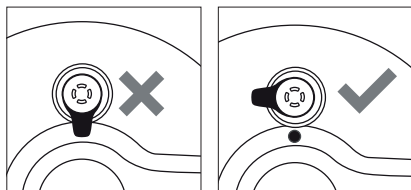
(más 1 hora y 30 minutos para enfriarlo)

1 litro de leche entera homogeneizada

2 cucharadas de yogur natural entero con cultivos vivos activos

#### PASO 1: escalda la leche

Coloca el recipiente de cocción en the Fast Slow GO™. Vierte la leche. Cierra y bloquea la tapa. Después gira la válvula de liberación de presión a la posición abierta.



Pulsa el botón YOGUR y después INICIAR. La leche se calentará durante 10 minutos a una temperatura estable de 83 °C.

El proceso de pasteurización mata cualquier bacteria mala que pueda estropear la leche. También elimina a la posible competencia de los cultivos activos del yogur.

#### PASO 2: enfría la leche

Abre la tapa y no pulses ningún botón.

La fase de enfriamiento automáticamente enfriará la leche hasta alcanzar los 43 °C.

Este proceso asegura que el aparato alcance la temperatura óptima para el desarrollo de los cultivos iniciadores del yogur. Si la temperatura es demasiado alta, los cultivos podrían morir. Primero aparecerá la palabra “COOL” (frío) en la pantalla de la olla. Cuando la fase de enfriamiento (aprox. 1 hora y 30 minutos) termine, la olla emitirá un sonido de alerta para indicar que se ha alcanzado la temperatura correcta.



#### CONSEJO

Si enfrías la leche con la tapadera abierta, se formará una película en la zona superior. Retira la película antes de añadir el iniciador para que la textura del yogur sea más suave.

#### PASO 3: fermenta el yogur

Al final del paso 2, la palabra “ADD” (añadir) aparecerá en la pantalla de la olla. Coloca el iniciador del yogur en un bol. Agrega ½ vaso (125 ml) de la leche enfriada y combina con un batidor de varillas hasta que la textura sea homogénea. Incorpora la mezcla de leche a la leche enfriada en el recipiente de cocción y bate todo junto con un batidor de varillas. Cierra y bloquea la tapa. Pulsa INICIAR para fermentar durante 5 - 8 horas. Cuanto más tiempo se deje fermentando, más ácido será el yogur.

#### PASO 4: refrigera el yogur

Cuando la olla emita una alerta sonora, el yogur habrá terminado de fermentar. Retira el recipiente de cocción, cúbrelo con film y refrigéralo hasta que se enfríe. Una vez que el yogur esté completamente frío, transfíerelo a un recipiente hermético, donde podrás guardarlo en el frigorífico hasta 2 semanas.



## CONSEJOS

- Utiliza leche homogeneizada para que el yogur quede más suave. Si el resultado es grumoso y contiene líquido, utiliza un batidor de varillas para combinar el yogur ya enfriado delicadamente.
- Para enfriar más rápido la leche después de escaldarla, coloca el recipiente de cocción en un recipiente más grande con agua y cubitos. Puedes controlar la temperatura con un termómetro. Cuando la leche llegue a los 43 °C, añade ½ vaso (125 ml) de la leche fría al iniciador del yogur, bate hasta que quede homogéneo. Después, bate la mezcla con la leche restante hasta que quede bien incorporada, seca la base del recipiente de cocción e insértalo de nuevo en la olla.
- Para aumentar el nivel de acidez del yogur, extiende el tiempo de fermentación.

## MANTENER TEMPERATURA

La función MANTENER TEMPERATURA mantiene la comida caliente a una temperatura apta para servir (60 °C o superior) durante un máximo de 6 horas, después de que el ciclo de cocción acabe. Si utilizas la función MANTENER TEMPERATURA de forma independiente, podrá seguir activa durante un máximo de 24 horas.

- Para usar MANTENER TEMPERATURA de forma independiente, mantén la tapa cerrada y luego presiona unos segundos el botón MANTENER TEMPERATURA del panel de control.
- La función MANTENER TEMPERATURA puede activarse y desactivarse en los modos COCCIÓN A PRESIÓN y COCCIÓN LENTA pulsando el botón MANTENER TEMPERATURA del panel de control. Cuando el ciclo de cocción termine, la luz de MANTENER TEMPERATURA se encenderá y el temporizador comenzará a contar hasta un máximo de 6 horas.



## NOTA

Para que la comida no pierda calidad, no se recomienda usar la función MANTENER TEMPERATURA más de 1 o 2 horas.

## RETRASAR EL INICIO

The Fast Slow GO™ cuenta con una función de temporizador para retrasar el inicio de un programa hasta 24 horas. Esta función no es compatible con MANTENER TEMPERATURA y VAPOR.

La función RETRASAR INICIO está desactivada para el programa de comida CARNE.



## PRECAUCIÓN

Nunca dejes que aquellos alimentos que requieren refrigeración, como la carne, las aves, el marisco o los huevos, permanezcan a temperatura ambiente durante más de dos horas. Las bacterias se multiplican rápidamente en temperaturas cálidas de entre 4 °C y 60 °C.

Los siguientes pasos muestran cómo programar la función RETRASAR INICIO:

- Ajusta el tiempo del ciclo de cocción y los niveles de temperatura y presión como desees.
- Pulsa el botón RETRASAR INICIO para activar la función.
- La pantalla mostrará el tiempo por el que se retrasará el inicio en horas y minutos.
- Utiliza los botones de TIEMPO (+/-) para ajustar el retraso en intervalos de 15 minutos, hasta un máximo de 24 horas.
- Pulsa RETRASAR INICIO otra vez en cualquier momento para salir sin guardar los ajustes del retraso del inicio.
- Pulsa INICIAR/CANCELAR para activar los ajustes de cocción actuales con inicio retrasado.
- En ese momento comenzará la cuenta atrás. El indicador LED de precalentado no se iluminará durante RETRASAR INICIO.

## AJUSTE DE ALTITUD

La presión se crea y aumenta cuando la temperatura dentro del recipiente de cocción excede el punto de ebullición. A medida que aumenta la altitud, la temperatura a la que hierve el agua será más baja como resultado de la disminución en la presión del aire. Esto crea condiciones de cocción muy diferentes cuando se utiliza una olla a presión.

Para mantener resultados de cocción uniformes a distintas altitudes, the Fast Slow GO™ dispone de una función que permite ajustar la configuración según la altitud de tu ubicación actual.

1. Para activar la función ALTITUD presiona simultáneamente los botones RETRASAR INICIO y MANTENER TEMPERATURA durante 2 segundos.
2. Pulsa los botones de TIEMPO (+/-) o los de PRESIÓN/TEMPERATURA (+/-) para ajustar la altitud.
3. La pantalla de cuatro dígitos mostrará la palabra "Alt" y un número, que cambiará cada segundo.
4. Pulsa el botón INICIAR para confirmar el ajuste. Sonará un pitido.
5. Ahora la configuración de la olla se ha ajustado para tu altitud actual. Para guardar la altitud actual, pulsa cualquier botón o sal cuando se agote el tiempo. Para restablecer los ajustes de altitud a los predeterminados, vuelve a cambiar la altitud a 0 metros.



### NOTA

Puedes encontrar la altitud exacta en [www.elevationmap.net](http://www.elevationmap.net) o contactando con el centro de Servicio al cliente de Sage.

## CONFIGURACIÓN DEL SISTEMA DE UNIDADES

El sistema de unidades predeterminado es Celsius (C). Para cambiar de unidades métricas a imperiales, presiona los botones PRESIÓN/TEMPERATURA (+/-) durante 5 segundos y la pantalla mostrará la letra F de Fahrenheit. Si quieres volver a usar grados Celsius, presiona los botones PRESIÓN/TEMPERATURA (+/-) durante 5 segundos y la pantalla mostrará la letra C.



## Cuidado y limpieza

Antes de limpiarla, asegúrate de que la olla esté apagada. Desenchufa el aparato de la corriente y retira el extremo conector del cable de alimentación de la base de la olla. Deja que la olla y todos los accesorios se enfríen completamente antes de desmontarlos y limpiarlos.

Lava el recipiente de cocción extraíble con agua tibia jabonosa y un paño o una esponja que sean suaves y estén limpios. Enjuaga con agua limpia y seca bien.

Si con el tiempo aparecen depósitos de cal, mezcla 2 cucharadas de vinagre blanco y 1 vaso (250 ml) de agua caliente en el recipiente de cocción. Calienta la mezcla usando la función de vapor durante 10 minutos. Después déjala enfriar y limpia con un cepillo.



### NOTA

El recipiente de cocción extraíble se puede lavar en el lavavajillas, pero se recomienda lavarlo con agua caliente y un detergente doméstico suave. Enjuaga y seca bien todo.

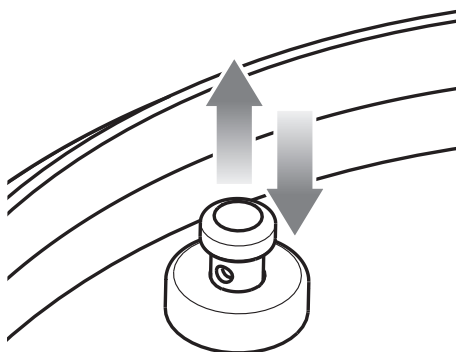


### ADVERTENCIA

- No utilices productos de limpieza abrasivos ni estropajos metálicos o ásperos en las superficies externas e internas del aparato.
- No sumerjas la base metálica ni el cable de alimentación en agua ni en ningún otro líquido, ya que podrían provocar una electrocución.
- Antes de empezar a cocinar, asegúrate de que el recipiente de cocción extraíble esté colocado correctamente en la base.

## CÓMO DESMONTAR LA TAPADERA:

- Retira con cuidado la junta de silicona del soporte para juntas. Revisa periódicamente que la junta esté limpia, se mantenga flexible y que no esté agrietada o rota. No utilices el aparato si la junta está dañada.
- Limpia el interior de la tapadera con un paño o una esponja húmedos y con un poco de jabón. Si es necesario, usa un cepillo para eliminar restos grasos. Limpia la tapa con un paño limpio y húmedo.
- Revisa regularmente que la tapa de la válvula de liberación de presión esté limpia y no tenga restos de líquidos o comida. Retira la tapa de la válvula de liberación de presión de la tapadera, lávala con un paño y jabón, y luego límpiela en seco. Enjuágala bien y vuelve a fijarla en su sitio.
- Debes revisar y limpiar con regularidad la válvula de seguridad por sobrepresión para evitar que se obstruya, puesto que esto podría bloquear la válvula de seguridad. Lava y limpia cualquier resto de aceites o alimentos. Asegúrate de que la válvula se mueva hacia adentro y hacia afuera sin problemas después de la limpieza.





## JUNTA DE SILICONA:

- Sustituye la junta de silicona cada 1 o 2 años. Puedes consultar a tu centro de servicio de Sage más cercano.
- Lava la junta con agua tibia jabonosa. Enjuágala con agua limpia, sécala bien y vuelve a colocarla en su lugar.
- Puedes lavar la junta de silicona en la rejilla superior de un lavavajillas para eliminar el olor de las especias.
- Antes de limpiarla, remoja la junta en una mezcla de bicarbonato de sodio y agua para que sea más sencillo eliminar los malos olores.



### ADVERTENCIA

Si la junta de silicona no se fija correctamente en el soporte, la tapa podría no quedar bien sellada. Esto puede causar que el aparato no funcione adecuadamente y filtre vapor o líquido caliente, lo que a su vez puede provocar quemaduras.



### CONSEJO

Para que sea más fácil eliminar el olor de las comidas, mezcla  $\frac{1}{2}$  vaso (125 ml) de zumo de limón, 1 cucharada de ralladura de limón y 500 ml de agua caliente. Después, somete la mezcla a un nivel de presión ALTO durante 5 minutos.

## ALMACENAMIENTO:

- Asegúrate de que la olla esté apagada. La olla estará apagada cuando todas las luces de la interfaz estén apagadas.
- Desenchufa el cable de la toma de corriente. Deja que la olla y todos los accesorios se enfríen completamente antes de desmontarlos y limpiarlos.
- Asegúrate de que la olla y todos los accesorios estén limpios y secos.
- Comprueba que el recipiente de cocción esté dentro de la olla.
- Asegúrate de que la tapa esté cerrada y en la posición de bloqueo.
- Guarda el electrodoméstico en posición vertical, apoyado en sus patas de apoyo. No coloques nada encima.



# Resolución de problemas

PROBLEMA	SOLUCIÓN FÁCIL
<b>La tapa no se puede abrir al final del ciclo de cocción</b>	<ul style="list-style-type: none"><li>• Pulsa el botón VAPOR hasta que se libere toda la presión interna y se pueda abrir la olla.</li><li>• Si esto ocurre con frecuencia, es posible que la olla deba ajustarse para adaptarse a tu altitud actual. Sigue las instrucciones de "Ajuste de altitud".</li></ul>
<b>La luz LED de TAPA parpadea y la alerta sonora está activa</b>	<ul style="list-style-type: none"><li>• Gira la tapadera hacia la posición correcta cuando uses los modos para cocción a presión o lenta.</li></ul>
<b>Sale vapor de la tapa</b> O <b>El pasador de bloqueo de seguridad no se levanta</b> O <b>La olla no está alcanzando presión</b> O <b>El temporizador no funciona</b> O <b>La palabra "SEAL" (sellar) aparece en la pantalla</b>	<ul style="list-style-type: none"><li>• Ensambla la tapa correctamente asegurándote de que no haya espacio entre el brazo de la tapa y la tapa de acero inoxidable. La tuerca de sellado debe atornillarse firmemente.</li><li>• Asegúrate de que la junta de silicona de la tapa esté limpia, libre de daños o grietas y que esté correctamente insertada.</li><li>• Asegúrate de que el pasador de bloqueo de seguridad pueda moverse libremente hacia arriba y hacia abajo.</li><li>• Cuando la tapa esté bloqueada, asegúrate de que el pasador de bloqueo de seguridad esté correctamente alineado dentro de la abertura del brazo de la tapa.</li><li>• Asegúrate de que la válvula de liberación de presión esté correctamente asentada en su sitio y de cara al pomo de la tapa.</li><li>• Agrega más líquido o comida al recipiente. Debe haber un mínimo de 1 litro de alimentos y líquidos combinados.</li><li>• Si el problema persiste, llama al servicio de atención al cliente de Sage.</li></ul>
<b>La olla cambia automáticamente para mantenerse caliente sin pasar por un ciclo de cocción completo</b>	<ul style="list-style-type: none"><li>• Añade más agua al bol de cocción y reinicia el ciclo.</li></ul>
<b>Se está acumulando agua en la encimera</b>	<ul style="list-style-type: none"><li>• Asegúrate de que la olla esté sobre una superficie plana y nivelada y de que esté colocada la taza de goteo de condensación en la parte posterior de la olla. Sigue las instrucciones para preparar tu Fast Slow GO™ en la página 14.</li><li>• Vacía la taza de goteo de condensación.</li></ul>
<b>El mensaje "Err" aparece en la pantalla</b>	<ul style="list-style-type: none"><li>• La pantalla mostrará "Err" cuando el aparato tenga un problema que no se puede solucionar mediante un restablecimiento. Si esto ocurre, desenchufa el cable inmediatamente y ponte en contacto con el servicio de atención al cliente de Sage.</li></ul>
<b>Ajustes de fábrica</b>	<ul style="list-style-type: none"><li>• Mantén pulsados los botones "sopa" y "sous vide" durante tres segundos para borrar los ajustes, incluido el nivel de altitud.</li></ul>



## Garantía

### **GARANTÍA LIMITADA DE 2 AÑOS**

La garantía de Sage Appliances cubre este producto para uso doméstico en territorios específicos durante 2 años a partir de la fecha de compra contra fallos causados por mano de obra y materiales defectuosos. Durante el plazo de la garantía, Sage Appliances reparará o sustituirá productos defectuosos (a criterio de Sage Appliances).

Todos los derechos de garantía en virtud de la legislación nacional vigente serán respetados y no se verán afectados por nuestra garantía. Para consultar los términos y condiciones completos de la garantía, así como instrucciones sobre cómo hacer una reclamación, visite [www.sageappliances.com](http://www.sageappliances.com)



**Nota**

# *the Fast Slow GO™*

BPR680/SPR680



PT MANUAL DO UTILIZADOR

# Sage®



## Índice

- 2 A Sage recomenda a segurança como máxima prioridade
- 9 Componentes
- 10 Painel de controlo
- 11 Predefinições de alimentos
- 12 Definições de confeção
- 13 Funções
- 25 Cuidados e limpeza
- 27 Resolução de problemas
- 28 Garantia

## A SAGE RECOMENDA A SEGURANÇA COMO MÁXIMA PRIORIDADE

**Na Sage®, temos a máxima preocupação com a segurança. Concebemos e produzimos produtos para o consumidor principalmente com a sua segurança, o nosso prezado cliente, em mente. Além disso, pedimos que tenha cuidado quando utilizar qualquer aparelho elétrico e que cumpra as precauções seguintes.**

## CUIDADOS IMPORTANTES

### LEIA TODAS AS INSTRUÇÕES ANTES DE UTILIZAR E GUARDE-AS PARA REFERÊNCIA FUTURA

- Está disponível uma versão deste documento para transferência em [sageappliances.com](http://sageappliances.com)
- Não permita que as crianças estejam perto da panela de pressão quando em uso.
- Não coloque a panela de pressão num forno quente.
- Mova a panela de pressão com o máximo cuidado. Não toque nas superfícies quentes. Use os cabos e pegas. Use proteção, se necessário.



### AVISO

Não use a panela de pressão para um objetivo que não aquele a que se destina. Este aparelho cozinha os alimentos sob pressão. Podem ocorrer queimaduras devido ao uso incorreto da panela

de pressão. Certifique-se de que a panela de pressão está corretamente fechada antes de aplicar calor. Consulte as instruções na secção "Cozinhar Sob Pressão" neste livro.

- Nunca force a abertura da panela de pressão. Não abra a panela de pressão antes de se certificar de que a sua pressão interna foi libertada na totalidade. Consulte as instruções na secção "Libertação do Vapor" neste livro.
- O recipiente não deve ser aberto até que a pressão diminua o suficiente.
- Nunca use a panela de pressão sem adicionar água, poderá provocar danos graves no aparelho.
- Não encha a panela de pressão 2/3 acima da sua capacidade. Ao cozinhar alimentos que se expandem ao cozinhar, como arroz ou vegetais desidratados, não encha a panela de pressão até mais de metade da sua capacidade.
- A fonte de calor necessária para cozinhar encontra-se incluída no aparelho.
- Depois de cozinhar carne com pele (por ex., língua de vaca), que pode inchar sob o efeito da pressão, não pique a carne enquanto a pele estiver inchada; poderá queimar-se.
- A superfície do elemento de aquecimento está sujeita a calor residual após a utilização.
- Ao cozinhar alimentos com textura espessa ou massuda, agite ligeiramente a panela de pressão após a libertação do vapor. Em seguida, liberte o vapor novamente, se necessário, antes de abrir a tampa para evitar a projeção dos alimentos.
- Antes de cada utilização, certifique-se de que as válvulas não estão obstruídas. Consulte as Instruções de Utilização.
- Nunca use a panela de pressão no modo pressurizado para fritar alimentos com muito ou pouco óleo.

- Não altere nenhum dos sistemas de segurança fora do âmbito das instruções de manutenção especificadas nas instruções de utilização.
- Utilize apenas peças sobressalentes da Sage® de acordo com o modelo relevante. Em particular, use um corpo e uma tampa da Sage® indicados como sendo compatíveis.
- Antes de utilizar pela primeira vez, certifique-se de que a sua fonte de alimentação corresponde à indicada na etiqueta de classificação na parte inferior do aparelho. Contacte o seu fornecedor de eletricidade se tiver quaisquer dúvidas.
- Remova e elimine em segurança qualquer material de embalagem e etiquetas promocionais antes de utilizar.
- Para eliminar o risco de asfixia para as crianças, remova e elimine de forma segura a cobertura de proteção instalada na ficha de alimentação deste aparelho.
- Antes de utilizar, certifique-se sempre de que o aparelho foi montado corretamente. Cumpra as instruções fornecidas neste manual.
- Introduza sempre a extremidade do conector do cabo de alimentação na entrada do aparelho antes de inserir a ficha numa tomada elétrica e ligar o aparelho. Certifique-se de que a tomada do aparelho está completamente seca antes de inserir a extremidade do conector do cabo de alimentação.
- Exerça os devidos cuidados para evitar a ocorrência de derrames no conector.
- Não toque nas superfícies quentes. As superfícies do aparelho estão quentes durante e após o funcionamento. Para impedir a ocorrência de queimaduras ou lesões pessoais, utilize sempre pegas protetoras ou luvas de forno ou, quando disponíveis, use os cabos ou pegas.



- Não coloque o aparelho perto da extremidade de um banco ou mesa durante o funcionamento. Certifique-se de que a superfície está nivelada, limpa e livre de qualquer líquido e outras substâncias.
- Os aparelhos de cozinha devem ser colocados numa situação estável com as pernas (se aplicável) devidamente protegidas para evitar o derramamento de líquidos quentes.
- Opere sempre o aparelho sobre uma superfície estável e resistente ao calor. Não opere numa superfície coberta com um pano, e posicione o aparelho a uma distância mínima de 20 cm das paredes, cortinas, panos e outros materiais sensíveis ao calor.
- Não coloque este aparelho sobre ou perto de um bico a gás ou elétrico quente ou num local onde possa tocar num forno quente.
- Não opere o aparelho sobre uma pia de cozinha.
- Não coloque a panela elétrica sobre uma bancada de pedra quando está a cozinhar. As bancadas são sensíveis a calor desigual e podem rachar se forem aquecidas localmente. Se quiser cozinhar com a panela de cozedura lenta sobre uma bancada, coloque uma tábua de cozinha ou um apoio à prova de calor debaixo da panela.
- Apenas a respetiva tampa deve ser colocada na panela elétrica quando esta estiver montada, em uso e armazenada.
- Não use a pega da tampa para transportar o aparelho.
- Antes de colocar a panela interior amovível na base de aço inoxidável, certifique-se de que a base da panela interior e a base do aparelho estão secas passando um pano macio seco.
- Não utilize uma panela interior amovível danificada. Substitua antes de utilizar.


- Não coloque alimentos ou líquidos diretamente na base de aço inoxidável. Apenas a panela interior amovível foi concebida para conter alimentos ou líquidos.
- Antes de utilizar, inspecione sempre a válvula de libertação de pressão e o pino de bloqueio de segurança para determinar se estão obstruídos e limpe-os se necessário. Certifique-se de que o pino de bloqueio de segurança se move livremente através da parte inferior da tampa.
- Não toque na válvula de libertação de pressão enquanto o aparelho estiver em uso.
- Utilize apenas o botão **STEAM RELEASE** (Libertação de Vapor) recomendada para despressurizar a panela elétrica após o uso.
- Não deixe o aparelho sem supervisão durante a utilização.

## **DIRETRIZES DE SEGURANÇA IMPORTANTES PARA TODOS OS APARELHOS ELÉTRICOS**

- Não utilize este aparelho se estiver gasto, tiver caído no chão ou estiver danificado de qualquer maneira.
- Desenrole completamente o cabo de alimentação antes de utilizar.
- Não deixe o cabo de alimentação pendurado sobre a extremidade de uma mesa ou bancada, em contacto com superfícies quentes nem permita que o cabo se enrosque.
- Ligue apenas a uma tomada elétrica de 220–240 V.
- Desligue sempre o aparelho (posição OFF), desligue o cabo da tomada de alimentação, retire a ficha da tomada elétrica e permita que todas as peças arrefeçam antes de tentar mover o aparelho, quando não estiver em uso, antes de o limpar e quando o armazenar.

- O aparelho pode ser utilizado por crianças com mais de 8 anos de idade e pessoas com capacidades físicas, sensoriais ou mentais reduzidas ou com falta de experiência e conhecimento, mas apenas se tiverem recebido supervisão ou instruções relativas ao uso seguro do aparelho e compreenderem os perigos envolvidos.
- As crianças não devem brincar com o aparelho.
- As tarefas de limpeza e de manutenção do aparelho realizadas pelo utilizador não devem ser executadas por crianças exceto se tiverem mais de 8 anos de idade e estejam sob supervisão.
- Mantenha o aparelho e o seu cabo fora do alcance das crianças com menos de 8 anos de idade.
- Recomendamos a inspeção regular do aparelho. Não use o aparelho se o cabo de alimentação, ficha ou o próprio aparelho estiverem danificados de qualquer maneira. Contacte o serviço de atendimento ao cliente da Sage ou aceda a [sageappliances.com](http://sageappliances.com) se o aparelho estiver danificado ou for necessária qualquer tarefa de manutenção que não a de limpeza
- O uso de acessórios não vendidos ou recomendados pela Sage® pode provocar incêndios, choque elétrico ou lesões.
- Este aparelho destina-se apenas a uso doméstico. Não utilize este aparelho para uma função diferente da utilização a que se destina. Não utilize em veículos em movimento ou barcos. Não utilize no exterior. A utilização incorreta pode causar ferimentos.
- O aparelho não se destina a ser operado através de um temporizador externo ou sistema de controlo remoto separado.

- Recomendamos a instalação de um dispositivo de corrente residual (comutador de segurança) para fornecer segurança adicional ao utilizar todos os aparelhos elétricos. É aconselhável a instalação de um comutador de segurança com uma corrente operacional residual nominal não superior a 30 mA no circuito elétrico que abastece o aparelho. Consulte um electricista para obter aconselhamento profissional.

 Não coloque o cabo de alimentação, a ficha ou o aparelho dentro de água ou qualquer outro líquido para proteger contra choques elétricos.

 O símbolo apresentado indica que este  aparelho não deve ser eliminado juntamente com os resíduos domésticos normais. Deve ser encaminhado para um centro de recolha de resíduos da autoridade local designado para este fim ou um revendedor que forneça este serviço. Contacte a Câmara Municipal local para obter mais informações.

## ESPECIFICAÇÃO

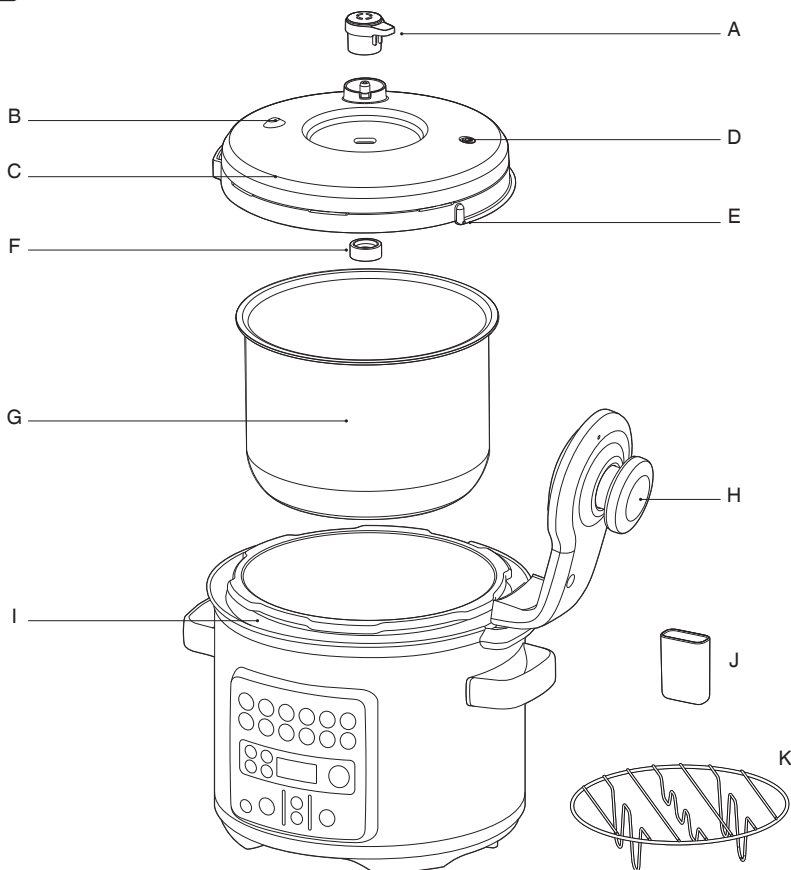
Modelo	SPR680
Volume nominal	6 litros
Volume utilizável	4 litros
Pressão operacional	80 kPa
Fonte de aquecimento	Elemento de aquecimento elétrico

Estas especificações podem sofrer alterações sem aviso prévio.

# APENAS PARA USO DOMÉSTICO GUARDE ESTAS INSTRUÇÕES

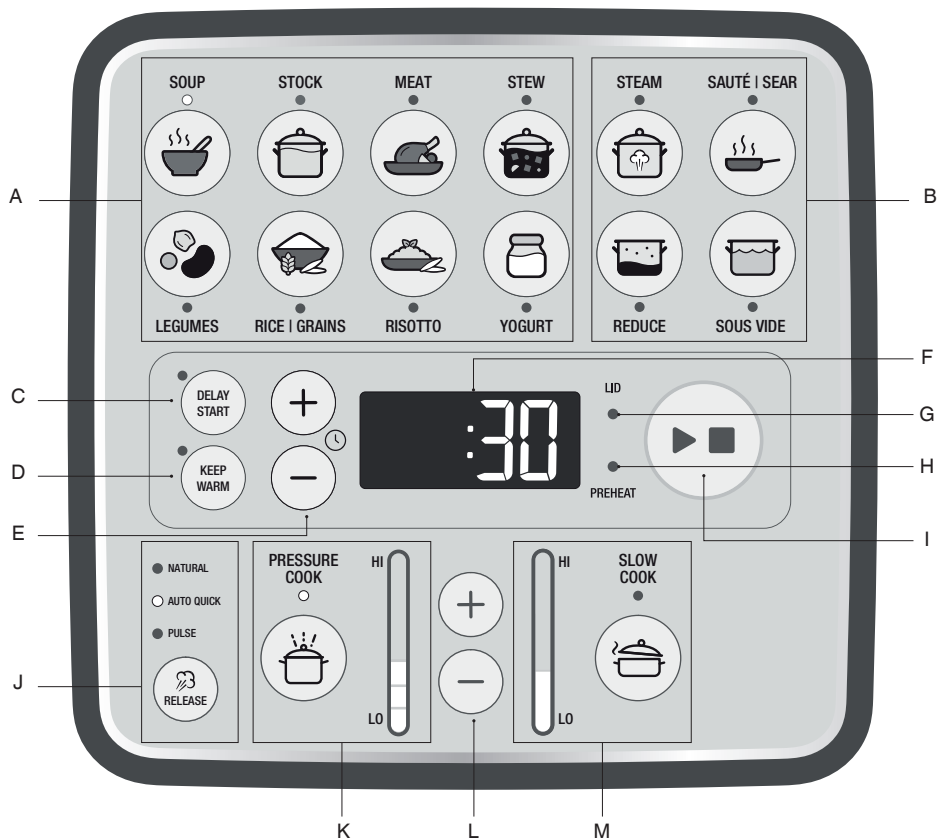


## Componentes



- A.** Válvula de libertação de pressão  
Controla automaticamente o nível de libertação do vapor da panela
- B.** Válvula de segurança da pressão  
O pino salta quando a pressão é atingida, funcionando como um dispositivo de bloqueio de segurança
- C.** Tapa amovível lavável na máquina de lavar louça
- D.** Pino de bloqueio de segurança  
O pino salta quando a pressão é atingida, funcionando como um dispositivo de bloqueio de segurança
- E.** Junta de silicone da tampa  
Instalação fácil para montagem e limpeza simples
- F.** Porca de vedação
- G.** Panela interior de 6 L removível
- H.** Braço da tampa
- I.** Ranhura de resíduos de limpeza fácil  
Recolhe as gotas de condensação para uma limpeza mais fácil.
- J.** Recipiente de recolha da condensação
- K.** Tripé de aço inoxidável  
Eleva os alimentos acima do líquido para assar e cozinhar a vapor.

## PAINEL DE CONTROLO



- A. Predefinições de alimentos com indicadores luminosos
- B. Predefinições de cozedura com indicadores luminosos
- C. INÍCIO RETARDADO
- D. MANTER QUENTE
- E. Botões de ajuste de TEMPO (+/-)
- F. Ecrã LED
- G. Indicador de luz de aviso de bloqueio/desbloqueio da tampa
- H. Indicador luminoso de pré-aquecimento
- I. Botão INICIAR/CANCELAR
- J. Botão de libertação de pressão com indicador de seleção de modos
- K. COZEDURA A PRESSÃO com indicador luminoso  
Indicador do nível de pressão para o modo de cozedura a pressão
- L. Botões de ajuste de PRESSÃO/TEMPERATURA (+/-)
- M. COZEDURA LENTA com indicador luminoso  
Indicador de temperatura para o modo Cozedura lenta

**CE** Informação de classificação:  
220-240 V ~50-60 Hz 900-1100 W

## PREDEFINIÇÕES DE ALIMENTOS

### DEFINIÇÃO: COZEDURA A PRESSÃO

MENU DE ALIMENTOS	PREDEFINIÇÃO	INTERVALO
<b>Sopa</b>	50 kPa - aprox. 110 °C 30 MIN RÁPIDO AUTOMÁTICO	10 kPa - 80 kPa Até 2 h
<b>Caldo</b>	80 kPa - aprox. 116 °C 1 HORA RÁPIDO AUTOMÁTICO	10 kPa - 80 kPa Até 2 h
<b>Carne</b>	80 kPa - aprox. 116 °C 1 HORA RÁPIDO AUTOMÁTICO	10 kPa - 80 kPa Até 2 h
<b>Guisado</b>	60 kPa - aprox. 112 °C 1 HORA RÁPIDO AUTOMÁTICO	10 kPa - 80 kPa Até 2 h
<b>Leguminosas</b>	80 kPa - aprox. 116 °C 30 MIN NATURAL	10 kPa - 80 kPa Até 2 h
<b>Arroz   Grãos</b>	50 kPa - aprox. 110 °C 10 MIN IMPULSO AUTOMÁTICO	10 kPa - 80 kPa Até 2 h
<b>Risotto</b>	40 kPa - aprox. 108 °C 7 MIN RÁPIDO AUTOMÁTICO	10 kPa - 80 kPa Até 2 h

### DEFINIÇÃO: COZEDURA LENTA

MENU DE ALIMENTOS	PREDEFINIÇÃO	INTERVALO
<b>Sopa</b>	ALTA - 95 °C 4:00 H MANTER QUENTE	Tempo: 2 - 12 horas Temp: Alta - Baixa Manter quente: ativar/desativar
<b>Caldo</b>	ALTA - 95 °C 4:00 H MANTER QUENTE	Tempo: 2 - 12 horas Temp: Alta - Baixa Manter quente: ativar/desativar
<b>Carne</b>	BAIXA - 90 °C 8:00 H	Tempo: 2 - 12 horas Temp: Alta - Baixa Manter quente: ativar/desativar
<b>Guisado</b>	BAIXA - 90 °C 8:00 H	Tempo: 2 - 12 horas Temp: Alta - Baixa Manter quente: ativar/desativar
<b>Leguminosas</b>	ALTA - 95 °C 6:00 H	Tempo: 2 - 12 horas Temp: Alta - Baixa Manter quente: ativar/desativar

<b>IOGURTE</b>	Passo 1 Ferver 10 MIN. Temp.: 83 °C MANTER QUENTE DESATIVADO	Passo 2 Refrigerar* Até 3 horas Temp: de 83 °C a 43 °C MANTER QUENTE DESATIVADO	Passo 3 Incubar 8 horas Temp.: 43 °C MANTER QUENTE DESATIVADO	Tempo: 8-16 horas Temp: n/a Manter quente: n/a
----------------	--	--	---	--

**\* Tempo de arrefecimento se a tampa estiver aberta (para 2 litros de leite):**

Pode demorar até 1h20 para diminuir a temperatura de 83 °C a 43 °C

Tempo de arrefecimento se a tampa estiver fechada (para 2 litros de leite):

Pode demorar até 3 horas para diminuir a temperatura de 83 °C a 43 °C

## DEFINIÇÕES DE CONFEÇÃO

DEFINIÇÕES	TEMPO/TEMP. PREDEFINIDO	INTERVALO
<b>SALTEAR   SELAR</b>	CONTAGEM CRESCENTE	Temp: Alta - (Selar) 168 °C Méd. - (Saltear) 150 °C Baixa - (Saltear) 130 °C
<b>REDUZIR</b>	ALTO 10 MIN	Temp.: Baixa - 105 °C Méd. - 115 °C Alta - 130 °C
<b>VAPOR</b>	15 MIN	Temp.: 100 °C
<b>SOUS VIDE</b>	1 HORA	Temp.: 57 °C
<b>MANTER QUENTE</b>	2 HORAS CONTAGEM CRESCENTE	Temp.: 70 °C

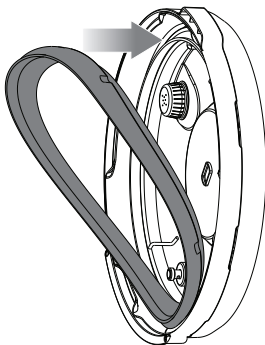




## Funções

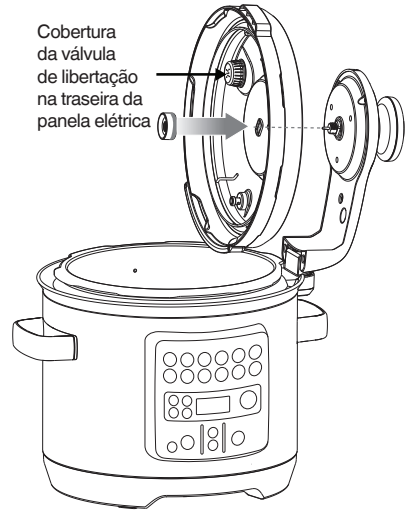
### ANTES DA PRIMEIRA UTILIZAÇÃO

1. Remova e elimine em com segurança qualquer material de embalagem, etiquetas promocionais e fita adesiva da panela de pressão.
2. Abra a tampa rodando o botão da tampa no sentido contrário ao dos ponteiros do relógio, levantando a tampa para cima e retirando-a do aparelho até estar na posição de dobradiça aberta. Desaperte e remova a porca de vedação do centro da tampa e puxe-a para a afastar para a remover do braço da tampa.
3. Lave a tampa, a panela interior amovível e a junta de silicone da tampa com água quente e detergente e, em seguida, enxague e seque cuidadosamente. Limpe o interior e exterior da base com um pano suave húmido e deixe secar completamente.
4. Encaixe a junta de silicone da tampa limpa firmemente em torno do rebordo exterior da reentrância em forma de anel na parte inferior da tampa. Ajuste a posição se necessário de maneira que fique assente confortavelmente e esteja livre de quaisquer distorções.



5. Para reencaixar a tampa, oriente a tampa de maneira que o invólucro da válvula de libertação do vapor esteja virado para a traseira da unidade e, em seguida, alinhe o centro da tampa com o parafuso

na parte inferior do braço da tampa e empurre para a devida posição para expor a rosca do parafuso. Fixe a tampa enroscando a porca de vedação de maneira que a vedação vermelha toque na superfície da tampa.



6. Limpe e seque a parte inferior da panela interior amovível e do sensor de temperatura, certificando-se de que não existem quaisquer materiais indesejados na superfície. A panela interior amovível deve ficar assente sobre o sensor de temperatura para assegurar o contacto correto.
7. O recipiente de recolha da condensação emite um clique quando instalado corretamente.
8. Insira a extremidade do conector do cabo de alimentação na base da panela elétrica, certificando-se de que está completamente seco. Insira a ficha numa tomada elétrica de 230-240 V (com ligação à terra).
  - Definir o nível de altitude (acima do nível do mar) - a máquina apresenta Set - Alt - (distância) - metros.
  - Prima os botões TEMPO (+/-) para ajustar a altitude mais próxima, entre 0 e 2000 metros.
  - Prima INICIAR para confirmar

9. A panela elétrica emite um alerta sonoro e o ecrã LED acende-se.
10. Recomendamos executar um ciclo de cozedura de 15 minutos com água para eliminar quaisquer substâncias de proteção da panela interior e do elemento de aquecimento.



## NOTA

A panela de pressão não deve ser utilizada em altitudes acima de 2000 metros. São necessários tempos de cozedura mais longos em altitudes mais elevadas para obter os melhores resultados culinários. Nestas zonas de elevada altitude, aumente o tempo de cozimento conforme necessário para alcançar o resultado alimentar desejado.



## AVISO

Utilize apenas o recipiente culinário destinado a este aparelho; a utilização de outros recipientes não fornecidos causará um problema irresolúvel.

## DEFINIÇÕES DO PAINEL DE CONTROLO

A panela elétrica Fast Slow GO™ tem 6 predefinições de cozedura; Cozedura sob Pressão, Cozedura Lenta, Reduzir, Saltear/Selar, Vapor e Sous Vide. Inclui também 8 predefinições de alimentos: Sopa, Caldo, Carne, Guisado, Legumes, Arroz/Grãos, Risotto e Iogurte.

## PREDEFINIÇÕES DE ALIMENTOS

O painel de controlo apresenta 8 predefinições de alimentos disponíveis para fácil seleção.

Se premir qualquer uma das 8 predefinições de alimentos, usará as predefinições para obter os melhores resultados para o tipo específico de comida. As predefinições incluem mudar para o modo "COZEDURA SOB PRESSÃO" ou "COZEDURA LENTA".

Dependendo do modo de cozedura, se premir um botão de predefinição de

alimentos, ajustará os níveis de PRESSÃO ou TEMPERATURA, o tempo de cozedura e o modo de libertação de pressão e ligará e desligará o botão MANTER QUENTE.



O tempo de cozedura, MANTER QUENTE ou INÍCIO RETARDADO, pode ser ajustado enquanto permanece na predefinição de alimento selecionada. No entanto, qualquer alteração nos níveis de pressão ou temperatura, ou na definição de libertação de vapor (dependendo do modo em que o produto está), mudará a unidade para o modo personalizado.

A tabela abaixo mostra, ao selecionar o menu de alimentos, certos alimentos que podem ser cozidos premindo "COZEDURA SOB PRESSÃO" ou "COZEDURA LENTA".

MENU DE ALIMENTOS	COZEDURA A PRESSÃO	COZEDURA LENTA
Sopa	✓	✓
Caldo	✓	✓
Carne	✓	✓
Guisado	✓	✓
Leguminosas	✓	✓
Arroz/Grãos	✓	x
Risotto	✓	x
Iogurte	x	✓

## PASSOS SIMPLES DE PREDEFINIÇÕES Por exemplo,

### SOPA

- Prima o ícone SOPA  na interface.
- A interface sugere automaticamente uma função de Cozedura sob Pressão (se relevante).  
Para selecionar uma função de Cozedura Lenta, prima o botão COZEDURA LENTA 
- A interface indica automaticamente o tempo de cozedura preciso e o nível de pressão para a sopa.
- O tempo de cozedura pode ser modificado premindo as setas para cima ou para baixo.
- Após adicionar os ingredientes, prima INICIAR para começar a cozinhar.



## SUGESTÃO

Se desejar, é possível saltar vegetais ou selar carne com a função SALTEAR/SELAR antes de cozinhar. Quando terminar, prima PARAR para cancelar a função SALTEAR/SELAR e selecione a próxima predefinição.




## NOTA

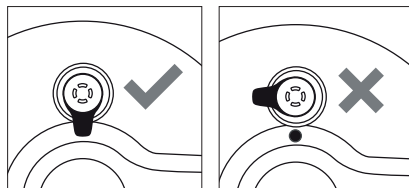
- Se utiliza a cozedura sob pressão pela primeira vez, a libertação da pressão pode ser assustadora. À medida que liberta uma grande quantidade de vapor, mantenha sempre as mãos e o rosto longe da libertação de pressão. (Consulte a página 17 para ver a descrição e cuidados da libertação de vapor variável).
- Consulte a secção "Predefinições de alimentos" e "Predefinições de cozedura" para obter recomendações de predefinições.
- Se não houver luz visível em nenhum dos indicadores de predefinição de alimentos, significa que o produto está no modo manual. Prima um botão de predefinição de alimentos para regressar às predefinições.
- O modo de libertação de vapor ou pressão programado nos modos de cozedura predefinidos são selecionados para obter os melhores resultados. Quaisquer alterações no modo de libertação de vapor podem provocar o derramamento de alimentos.

## MODO MANUAL DE COZEDURA SOB PRESSÃO

A Cozedura sob pressão é um método de cozinhar alimentos numa pequena quantidade de líquido com uma tampa vedada que retém o vapor dentro e aumenta a pressão. O aumento da pressão eleva a temperatura do líquido e do vapor interno acima do ponto de ebulição e, assim, permite que os alimentos sejam cozinhados até 70% mais rápido. Isso significa que consome menos energia e obtém poupanças substanciais de tempo e dinheiro.

Como os alimentos cozidos sob pressão requerem pouco líquido de cozedura, retêm mais vitaminas, minerais e outros nutrientes e os sabores naturais são realçados.

1. Para selecionar o modo manual de cozedura sob pressão, mantenha premido o botão COZEDURA SOB PRESSÃO  durante 2 segundos.
2. Ajuste a pressão de cozedura com os botões PRESSÃO/TEMPERATURA (+/-). A pressão pode ser ajustada de 10 kPa (Baixa) a 80 kPa (Alta).
3. O valor no ecrã LED indica o tempo de cozedura predefinido para a definição selecionada. Ajuste o tempo de cozedura com os botões +/- de TEMPO (junto do visor de 4 dígitos) para reduzir ou aumentar o tempo de cozedura. O tempo pode ser ajustado até 2 horas.
4. Prima o botão LIBERTAÇÃO DE VAPOR para selecionar entre as opções de libertação de vapor "LIBERTAÇÃO AUTOMÁTICA", "IMPULSO AUTOMÁTICO" e "NATURAL".
5. Coloque os alimentos na panela interior amovível. Certifique-se de que existe pelo menos 1 L de alimentos e líquido combinados na panela.
6. Feche a tampa e rode o botão da tampa no sentido dos ponteiros do relógio para a trancar na sua devida posição. O alerta da panela de pressão irá emitir um alerta sonoro quando a tampa trancar.
7. Certifique-se de que a válvula de libertação de vapor está colocada na tampa na posição fechada.



8. Prima o botão INICIAR para começar a cozinhar. O botão INICIAR/CANCELAR acende-se em laranja, e acende-se também "PREHEAT" (Pré-aquecer).



## NOTA

É normal que a panela elétrica liberte pequenas rajadas de vapor à medida que estabiliza.

9. Se a tampa não estiver corretamente bloqueada, o indicador "LID" (Tampa) pisca e emite um alerta sonoro, a cozedura será colocada em pausa até que a tampa esteja na posição correta. Rode o botão da tampa no sentido horário para bloquear a tampa na sua devida posição.
10. Quando a panela elétrica alcançar a pressão pretendida, a indicação "PREHEAT" (Pré-aquecer) apaga-se, a panela elétrica emite um sinal sonoro e o temporizador inicia a contagem decrescente.
11. Prima o botão TEMPO (+/-) durante o ciclo de cozedura sob pressão para ajustar o tempo. Prima o botão INICIAR/CANCELAR para colocar em pausa o ciclo a qualquer altura. Mantenha premido o botão INICIAR/CANCELAR durante 2 segundos para terminar o ciclo. Se já houver pressão no interior da panela, esta irá passar automaticamente para o ciclo de libertação do vapor.
12. No final do ciclo de cozedura sob pressão, o alerta da panela elétrica irá soar e o vapor será libertado automaticamente através da válvula de libertação da pressão. O ícone de vapor pisca e o temporizador inicia a contagem crescente.
13. Se selecionar a opção de libertação do vapor NATURAL, a pressão irá naturalmente diminuir na panela sem forçar o vapor através da válvula de libertação da pressão. É possível alterar a definição de libertação do vapor durante o ciclo de libertação do vapor; para tal, prima o botão LIBERTAR VAPOR.
14. No final do ciclo de libertação do vapor, a panela elétrica emite um alerta sonoro, o ecrã pisca e, se MANTER QUENTE

estiver aceso, o temporizador inicia a contagem crescente.

15. Abra a tampa rodando o botão da tampa no sentido contrário ao dos ponteiros do relógio e levante-a cuidadosamente para a posição de dobradiça aberta.
16. O modo de Standby (Em Espera) é ativado após 5 minutos de inatividade. O LED apaga-se.



## CUIDADO

Nunca coloque a face ou mãos sobre a panela ao remover a tampa para evitar queimaduras devido à saída do vapor.



## AVISO

Se a tampa não se destrancar, isso pode indicar que o aparelho ainda está sob pressão. Não force a abertura da tampa visto que qualquer pressão restante pode ser perigosa. Mantenha premido o botão LIBERTAÇÃO DE VAPOR para libertar o vapor manualmente.

## TABELA DE COZEDURA SOB PRESSÃO

Consulte esta tabela para obter a temperatura aproximada para cada nível de kPa:

Nível de pressão (kPa)	Temperatura (°C)
10	102
20	104
30	106
40	108
50	110
60	112
70	114
80	116

## LIBERTAÇÃO DE VAPOR VARIÁVEL MÃOS LIVRES

The Fast Slow GO™ inclui 3 métodos de libertação de vapor:

### Auto Quick (Libertação Rápida Automática)

A pressão é libertada rapidamente para minimizar a cozedura excessiva dos alimentos ou receitas com tempos de cozedura reduzidos.

Recomenda-se apenas para tipos de alimentos que não aumentem de volume ou libertem espuma ao ferver.

### Impulso

A pressão é libertada em rajadas para diminuir a perturbação no interior dos alimentos.

Recomenda-se para tipos de alimentos que geram uma pequena quantidade de espuma ou não fazem espuma ao ferver.

### Natural


A pressão diminui naturalmente no interior sem libertar vapor através da abertura de ventilação para impedir a agitação ou separação de ingredientes sensíveis, como talos e feijões, durante a libertação da pressão.

O modo de libertação de pressão natural é adequado para todos os tipos de receitas de alimentos.



### NOTA

Alguns tipos de alimentos (por exemplo, legumes), conhecidos por gerar demasiada espuma, apenas podem usar a libertação de pressão "Natural" para evitar o derramamento de alimentos.

Pode seleccionar estas opções com o botão Libertação de Vapor  no painel de controlo durante os ciclos de configuração e libertação de vapor. Após configurar, a válvula de libertação da pressão libertará automaticamente o vapor no final do ciclo de cozedura sob pressão.

Prima ininterruptamente o botão de libertação de vapor durante ou após um ciclo de

cozedura para abrir a válvula de libertação da pressão.



### NOTA

O modo de libertação de vapor ou pressão programado nos modos de cozedura predefinidos são seleccionados para obter os melhores resultados. Quaisquer alterações no modo de libertação de vapor podem provocar o derramamento de alimentos.




### CUIDADO

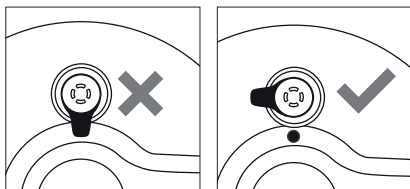
Mantenha sempre as mãos e a face afastadas da válvula de libertação de pressão ao cozinhar sob pressão porque o vapor e a água quente podem ser libertados durante o funcionamento.

## MODO MANUAL DE COZEDURA LENTA

A definição COZEDURA LENTA está concebida para tempos de cozedura longa a baixas temperaturas. Também é ideal para amolecer cortes de carne duros e desenvolver sabores intensos.

1. Selecione a Cozedura Lenta  na interface.
2. O ecrã LCD indica a temperatura de cozedura predefinida para o alimento seleccionado. Mas pode premir os botões PRESSÃO/TEMPERATURA (+/-) para reduzir ou aumentar a temperatura. Pode ajustar a temperatura para uma das temperaturas predefinidas; "LO" (Baixa) ou "HI" (Alta).
3. O ecrã LCD indica o tempo de cozedura predefinido para o alimento seleccionado. Pode ajustar o TEMPO (+/-) para diminuir ou aumentar o tempo de cozedura. O tempo pode ser ajustado entre 2 e 12 horas.
4. O indicador "MANTER QUENTE" acende-se automaticamente após o ciclo COZEDURA LENTA. Prima o botão MANTER QUENTE no painel de controlo para seleccionar ou anular a selecção da função.

- Coloque os alimentos na panela interior amovível. Certifique-se de que existe pelo menos 1 L de alimentos e líquido combinados na panela.
- Feche e bloqueie a tampa.
- Rode a válvula de libertação da pressão para a posição aberta.



- Prima o botão INICIAR para começar a cozinhar. O botão INICIAR/CANCELAR ilumina-se a laranja.
- O temporizador será apresentado e irá iniciar automaticamente a contagem decrescente. Prima o botão TEMPO (+/-) durante o ciclo de cozedura lenta para ajustar o tempo. Prima o botão INICIAR/CANCELAR para colocar em pausa o ciclo a qualquer altura. Pode ajustar as definições quando está em pausa. Prima o botão INICIAR/CANCELAR novamente para continuar a cozinhar com as definições que alterou.



## NOTA

Para remover o vapor durante a pausa, mantenha premido o botão de libertação de vapor. Durante a cozedura lenta, a pressão pode acumular-se e tornar mais difícil a abertura da tampa. Se isto ocorrer, prima o botão LIBERTAR VAPOR até que toda a pressão interna seja libertada e seja possível abrir a panela.

- No final do ciclo de cozedura lenta, a panela irá automaticamente passar para a função MANTER QUENTE (Manter Quente). O indicador MANTER QUENTE acende-se e o temporizador inicia a contagem crescente até um máximo de 6 horas. Prima o botão INICIAR/CANCELAR para colocar em pausa o ciclo MANTER QUENTE a qualquer altura.

- A panela emite um sinal sonoro, a retroiluminação laranja do botão INICIAR/CANCELAR apaga-se se a função MANTER QUENTE não tiver sido selecionada.
- O modo de Standby (Em Espera) é ativado após 5 minutos de inatividade. A luz apaga-se.

## SUGESTÕES PARA COZEDURA LENTA E SOB PRESSÃO

### Sopa

- A definição SOPA A PRESSÃO E COZEDURA LENTA é adequada para cozinhar uma variedade de sopas, desde caldos leves a minestrone saudável e cremes de vegetais.
- Use as definições SALTEAR/SELAR para dourar carne e amaciar plantas aromáticas antes de cozinhar.
- Para reduzir o tempo de pressurização, adicione água fria/caldo à panela interior enquanto ainda estiver na definição SALTEAR ou SELAR e deixe ferver a água antes de cozinhar sob pressão.
- Não encha excessivamente a panela interior. O volume total da sopa não deve exceder a marca de nível "MAX" dentro da panela interior removível.

### Caldo

- A definição CALDO A PRESSÃO E COZEDURA LENTA é adequada para fazer todos os tipos de caldo, incluindo frango, carne bovina e vegetais.
- Para fazer um caldo de carne, use a definição SALTEAR/SELAR para dourar ossos e vegetais antes de cozer sob pressão ou cozedura lenta.
- Os legumes, como cebola, cenoura e aipo, devem ser cortados em pedaços grandes. Isto ajuda a manter o caldo claro e facilita coar ao terminar a cozedura.
- Para reduzir o tempo de pressurização, adicione água fria à panela interior enquanto ainda estiver na definição SALTEAR/SELAR e deixe ferver a água antes de cozinhar sob pressão.

- Não encha excessivamente a panela interior. O volume total de água, ossos e/ou ervas aromáticas não deve exceder a marca de nível "MAX" dentro da panela interior removível.

## Carne

- A definição CARNE SOB PRESSÃO E COZEDURA LENTA usa alta temperatura/pressão para dissolver os tecidos conjuntivos, produzindo resultados succulentos e tenros. Os molhos tornam-se espessos e bem desenvolvidos.
- Escolha cortes de carne marmoreados para obter o melhor sabor e textura.
- Corte pedaços maiores de carne em 2 ou 3 pedaços para caber melhor na panela.
- Use as definições SALTEAR/SELAR para dourar a carne antes de cozinhar.
- Ao contrário dos guisados ou refogados tradicionais, a cozedura sob pressão e a cozedura lenta quase não sofrem evaporação. Para pratos com sabor intenso, use menos líquido do que o indicado nas receitas tradicionais, 1 - 1 ½ chávenas (250-375 ml) no máximo
- Não encha excessivamente a panela interior. O volume total de ingredientes crus não deve exceder a marca de nível "MAX" dentro da panela interior removível.

## Guisado

- A definição GUIADO SOB PRESSÃO E COZEDURA LENTA é ideal para cozinhar carne picada, molhos de carne e guisados saudáveis.
- Use as definições SALTEAR/SELAR para dourar carne e amaciar plantas aromáticas antes de cozinhar.
- Ao contrário da cozinha tradicional no fogão, a cozedura sob pressão e a cozedura lenta quase não sofrem evaporação. Para guisados espessos e ricos, use menos líquido do que indicado para receitas tradicionais. Use a definição REDUZIR depois de cozinhar para espessar os alimentos com muita água.

- Não encha excessivamente a panela interior. O volume total de ingredientes crus do guisado não deve exceder a marca de nível "MAX" dentro da panela interior removível.

## Leguminosas

- A definição LEGUMINOSAS SOB PRESSÃO E COZEDURA LENTA é adequada para cozinhar todos os tipos de leguminosas, lentilhas e feijões secos.
- Leguminosas e outros grãos podem produzir muita espuma durante a cozedura. A predefinição Libertação de vapor NATURAL garante que a espuma não interfere com a válvula de libertação de vapor.
- Os tempos de cozedura são baseados em feijões secos sem demolhar. Para diminuir o tempo de cozedura, demolhe os feijões em água fria durante toda a noite. Elimine a água de imersão e cozinhe com água fresca e fria durante metade do tempo de cozedura predefinido.
- Utilize uma proporção de 1 parte de feijão para 3 partes de água.
- Os feijões e leguminosas incham e duplicam de tamanho após a cozedura. Não encha excessivamente a panela interior. O volume total de legumes crus e água não deve exceder a marca de nível "½" dentro da panela interior removível.

## Arroz | Grãos

- A definição ARROZ SOB PRESSÃO foi concebida para cozinhar arroz e grãos, para que fiquem separados e macios. É adequada para todos os tipos de arroz, como arroz de grão longo, jasmim, basmati e arroz integral.
- Ao cozinhar arroz integral sob pressão, aumente o tempo de cozedura para 20 minutos.
- Meça ou pese o arroz seco com precisão e lave bem com água fria até que a água saia limpa. Escorra bem e coloque na panela interior removível.

- Adicione a quantidade de água correspondente. Consulte a tabela de culinária para arroz/grãos e leguminosas na página Web da Sage para obter mais informações.
- Após cozinhar, deixe o arroz em repouso na panela durante 5 minutos antes de mexer e servir.
- O arroz vai dobrar ou triplicar de tamanho após a cozedura. Não encha excessivamente a panela interior. O volume total de arroz cru e líquido não deve exceder a marca de nível "1/2" dentro da panela interior removível.

### Risotto

- A definição RISOTTO SOB PRESSÃO é ideal para fazer risottos cremosos, sem mexer e em pouco tempo.
- Use a definição SALTEAR/SELAR para amaciar cebolas e outras plantas aromáticas, bem como deglacear a tigela de cozedura com vinho.
- O segredo de um risotto cremoso é torrar os grãos de arroz antes de adicionar o líquido. Use a definição SALTEAR/SELAR para torrar o arroz, mexendo frequentemente, durante 3–5 minutos ou até que as extremidades fiquem transparentes e se tornem brancas.
- Com pouca ou nenhuma evaporação durante a cozedura sob pressão, é importante manter a proporção de 1 parte de arroz para 3 partes de caldo. Se adicionar muitos vegetais ao risotto, reduza o caldo em um terço.
- O arroz vai dobrar ou triplicar de tamanho após a cozedura. Não encha excessivamente a panela interior. O volume total de arroz cru e caldo não deve exceder a marca de nível "1/2" dentro da panela interior removível.

## OUTRAS PREDEFINIÇÕES:

### SALTEAR/SELAR

Esta predefinição tem três níveis: saltear baixo, saltear médio e selado.

O nível de temperatura será indicado no indicador luminoso de temperatura de cozedura lenta. *(consulte a página 10 - letra M. - para ver uma imagem do painel de controlo)*

A definição SALTEAR é a opção ideal para amolecer e caramelizar alho, cebolas ou vegetais antes da cozedura sob pressão ou lenta. A definição SALTEAR corresponde aos níveis de temperatura MED e LOW (Médio e Baixo) do seu aparelho.

A definição SELAR foi concebida para melhorar e aprofundar o sabor das refeições utilizando a mesma panela interior para caramelizar e dar mais cor aos alimentos antes da cozedura sob pressão ou lenta. A definição SELAR corresponde aos níveis de temperatura HIGH (Alto) do seu aparelho.

### REDUZIR

Esta predefinição tem três níveis: baixo, médio e alto.

O nível de temperatura será indicado no indicador luminoso de temperatura de cozedura lenta. *(consulte a página 10 - letra M. - para ver uma imagem do painel de controlo)*

A definição REDUZIR é a opção ideal para engrossar e intensificar o sabor dos molhos, xaropes e caldos.

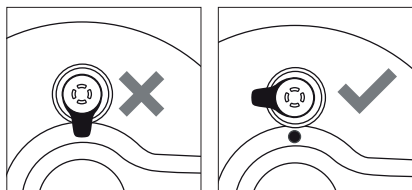
### VAPOR

A definição STEAM (Vapor) é a opção ideal para cozer a vapor vegetais, filetes de peixe e bolinhos de massa. Ao cozinhar sob vapor durante mais de 30 minutos, é recomendável adicionar 1 chávena (250 ml) de água morna na panela interior em incrementos de 30 minutos para garantir um desempenho de cozedura consistente.

Para reduzir a formação de condensação nas superfícies exteriores da tampa e da pega, recomenda-se que rode a válvula



de libertação da pressão para a posição aberta.



## SOUS VIDE

A definição SOUS VIDE é ideal para cozinhar alimentos a uma temperatura muito precisa em banho-maria.

### O que é o Sous Vide?

Sous Vide é uma técnica de cozedura que permite cozinhar alimentos no ponto desejado, aquecendo água até uma temperatura definida. Os alimentos são colocados num saco plástico BPA à prova de calor e indicado para alimentos, que é submerso e cozido no seu ponto preferido, sem o risco de secar durante a cozedura.

### O que precisa para cozinhar alimentos com a função Sous Vide?

Sacos plásticos BPA grossos à prova de calor, adequados para alimentos. Pode também utilizar sacos reutilizáveis se a temperatura de cozedura for inferior a 70 °C.

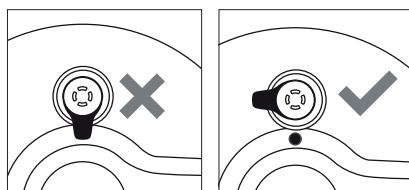
### Preciso de embaladores a vácuo?

Não é necessário selar os sacos a vácuo para SOUS VIDE, no entanto, é necessário remover o máximo de ar possível do saco e evitar que a água entre no saco para obter resultados culinários precisos. Para usar o método de deslocamento de água, coloque os alimentos num saco reutilizável com uma vedação dupla e, em seguida, coloque o saco com os alimentos num recipiente com água. Após retirar a maior parte de ar do saco, sele com cuidado acima da linha de água.

### A tampa está aberta ou fechada?

Recomendamos que use a função SOUS VIDE com a tampa fechada na posição bloqueada e rode a válvula de libertação de

pressão para a posição aberta para garantir uma temperatura de cozedura consistente.



### Quando devo selar?

Pode selar os itens antes ou depois de cozinhar com a função SALTEAR/SELAR. Se selar antes de usar a função SOUS VIDE, deixe repousar e arrefecer durante a noite no frigorífico.

### Passos do SOUS VIDE:

1. Encha a panela interior com água fria até atingir a linha MAX.  
Para reduzir o tempo de pré-aquecimento, comece com água a uma temperatura próxima da desejada.
2. Prima SOUS VIDE e defina a temperatura e o tempo pretendidos. Prima INICIAR para começar o pré-aquecimento.
3. Coloque o alimento ou o produto num saco plástico Sous Vide ou saco que pode reutilizar para selar. Se não tiver um saco selado específico para Sous Vide, recomendamos que utilize um saco com vedação dupla. Adicione plantas aromáticas como folhas de louro, alecrim, rodelas ou casca de limão e óleo como desejar.
4. Quando a água atingir a temperatura desejada (a máquina emite um sinal sonoro), coloque cuidadosamente o saco em banho-maria. Se o saco flutuar, coloque o tripé inoxidável de cabeça para baixo sobre o saco para mantê-lo totalmente submerso.
5. Feche e bloqueie a tampa, certifique-se de que roda a válvula de libertação da pressão para a posição aberta.
6. Quando o tempo de cozedura terminar, remova o saco do banho-maria.

## Temperatura e tempo:

- BIFE DE BOVINO (2,5 cm de espessura) - Ao ponto - 54 °C durante 1 hora
- BIFE DE FRANGO (2,5 cm de espessura) - Tenro - 65 °C durante 45 minutos
- FILETE DE SALMÃO (2,5 cm de espessura) - Ao ponto - 50 °C durante 40 minutos
- OVOS - ovo escalfado - 64 °C durante 1 hora

## IOGURTE

### Como utilizar o programa automático para iogurte

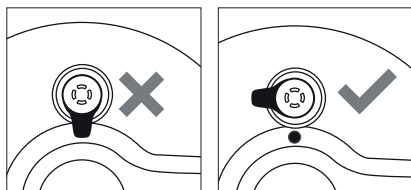
#### iogurte natural

Tempo de preparação: 10 minutos/  
Incubação: 8 horas (mais 1 hora e 30 minutos para arrefecer)

1 litro de leite gordo homogeneizado  
2 colheres de sopa de iogurte natural com culturas vivas e ativas

#### PASSO 1 – Ferver o leite

Coloque a panela interior na Fast Slow GO™. Adicione o leite. Feche e bloqueie a tampa, rode a válvula de libertação da pressão para a posição aberta.



Prima IOGURTE e, em seguida, INICIAR. O leite aquece até 83 °C e mantém a temperatura durante 10 minutos.

O processo de pasteurização mata todas as bactérias nocivas que podem estragar o leite e elimina também concorrentes potenciais das culturas do iogurte ativo.

#### PASSO 2 – Arrefecer o leite

Abra a tampa e não toque em nenhum controlo. A fase de arrefecimento arrefece automaticamente o leite a 43 °C. Este

processo garante que o aparelho atinge a temperatura ideal para o crescimento das culturas ativas do iogurte. Se a temperatura for demasiado alta, as culturas vivas do iogurte podem morrer. A palavra "COOL" (Arrefecer) aparece no ecrã da panela. No final do tempo de arrefecimento, a panela emite um aviso sonoro quando atingir a temperatura correta, cerca de 1 hora e 30 minutos.



## SUGESTÃO

Arrefecer o leite com a tampa aberta resultará na formação de nata na parte superior. Se remover a nata antes de adicionar o fermento ajuda a garantir uma textura mais suave do iogurte.

#### PASSO 3 – Incubar o iogurte

No final do PASSO 2, a palavra "ADICIONAR" aparecerá no ecrã da panela. Coloque o fermento do iogurte numa tigela. Adicione ½ taça (125 ml) de leite arrefecido e bata até ficar homogéneo. Bata a mistura de leite com o leite arrefecido na panela interior. Feche e bloqueie a tampa, prima INICIAR para incubar durante 5-8 horas. Quanto mais tempo incubar, mais intenso será o iogurte.

#### PASSO 4 – Refrigerar

Quando a panela emitir um sinal sonoro de que a incubação do iogurte terminou, retire a panela interior, cubra com película plástica e coloque no frigorífico até arrefecer. Quando o iogurte estiver completamente frio, transfira para um recipiente hermético e mantenha no frigorífico durante 2 semanas.



## SUGESTÕES

- Usar leite homogeneizado produzirá um iogurte mais suave. Se o resultado for ligeiramente irregular e separado, bata suavemente o iogurte refrigerado para misturar.
- Para arrefecer mais rápido o leite fervido, coloque a panela interior numa tigela maior de água gelada e verifique a temperatura

com um termómetro. Quando o leite atingir 43 °C, adicione ½ chávena (125 ml) de leite arrefecido ao fermento do iogurte, bata até ficar homogéneo, em seguida, junte à mistura, limpe o fundo da panela e introduza a panela interior na panela de pressão.

- Para aumentar a intensidade de sabor do iogurte, aumente o tempo de incubação.

## MANTER QUENTE

A função MANTER QUENTE mantém os alimentos quentes a uma temperatura de serviço segura de 60 °C ou superior durante até 6 horas no final de um ciclo de cozedura. Se utilizar a função MANTER QUENTE como função autónoma, pode utilizá-la durante até 24 horas.

- Para usar a função MANTER QUENTE como uma função autónoma, mantenha a tampa fechada e mantenha premido o botão MANTER QUENTE no painel de controlo.
- Pode ativar e desativar a função MANTER QUENTE nas definições COZEDURA SOB PRESSÃO e COZEDURA LENTA com o botão MANTER QUENTE no painel de controlo. A luz MANTER QUENTE acende-se e o temporizador inicia a contagem crescente até um máximo de 6 horas no final do ciclo de cozedura.



### NOTA

Para não comprometer a qualidade dos alimentos, é recomendado não usar a função MANTER QUENTE durante mais do que 1-2 horas.

## INÍCIO RETARDADO

A Fast Slow GO™ possui uma função de temporizador para retardar o início de cozedura em até 24 horas. Esta função de temporizador não se aplica às funções Manter quente e Vapor.

A função INÍCIO RETARDADO está desativada na predefinição CARNE.



## CUIDADO

Nunca permita que carnes, aves, marisco, ovos ou outros produtos que necessitem de refrigeração se mantenham a temperatura ambiente durante mais de duas horas. As bactérias multiplicam-se rapidamente a temperaturas quentes entre 4 °C e 60 °C.

Os passos seguintes mostram como programar o início retardado:

- Ajuste o tempo do ciclo de cozedura e o nível de temperatura/pressão como desejado.
- Prima o botão "INÍCIO RETARDADO" para ativar a função INÍCIO RETARDADO.
- O ecrã indica o tempo de início retardado em horas e minutos.
- Use os botões TEMPO (+/-) para ajustar o atraso em intervalos de 15 minutos até 24 horas.
- Prima INÍCIO RETARDADO novamente em qualquer momento para sair sem guardar a definição de início retardado.
- Prima INICIAR/CANCELAR para ativar as definições de cozedura atuais com um tempo de início retardado.
- O tempo começará a contagem decrescente e o LED de pré-aquecimento não acenderá durante o INÍCIO RETARDADO.

## AJUSTE DA ALTITUDE

A pressão acumula e aumenta quando a temperatura no interior da panela excede o ponto de ebulição. À medida que a altitude aumenta, a temperatura à qual a água ferve diminui por causa da descida da pressão atmosférica. Isto cria condições muito diferentes para cozinhar com uma panela de pressão.

Para manter resultados de cozedura consistentes às várias altitudes, a panela Fast Slow GO™ tem uma funcionalidade de Ajuste da Altitude que ajusta as definições com base na altitude da sua atual localização.

1. Para aceder à definição Altitude, mantenha premido os botões INÍCIO RETARDADO e MANTER QUENTE durante 2 segundos.
2. Prima os botões TEMPO (+/-) ou PRESSÃO/TEMPERATURA (+/-) para ajustar a altitude.
3. O ecrã de quatro dígitos apresenta "Alt" e um número, que muda a cada segundo.
4. Prima o botão INICIAR para confirmar e emite um sinal sonoro.
5. As definições da panela elétrica foram agora ajustadas para a sua atual altitude. Se premir qualquer botão ou sair após o tempo limite, o valor de altitude atual será guardado. Para alterar a altitude para as predefinições de fábrica, ajuste a altitude novamente para 0 metros.



### NOTA

Pode consultar a altitude exata em [www.elevationmap.net](http://www.elevationmap.net) ou contacte o Serviço de atendimento ao cliente da Sage.

## DEFINIR A UNIDADE DE MEDIDA

A unidade de medida predefinida está em Celsius (C). Para alternar entre as unidades métricas e imperiais, prima os botões PRESSÃO/TEMPERATURA (+/-) durante 5 segundos e o ecrã apresenta F para Fahrenheit. Prima os botões PRESSÃO/TEMPERATURA (+/-) novamente durante 5 segundos para reverter para Celsius e o ecrã apresenta C para Celsius.



## Cuidados e limpeza

Antes de limpar, certifique-se de que a panela elétrica está desligada. Retire a ficha do cabo de alimentação da tomada elétrica e remova a extremidade do conector do cabo de alimentação da base da panela elétrica. Aguarde até que a panela e todos os acessórios arrefeçam na totalidade antes de os desmontar e limpar.

Lave a panela interior removível com água morna com sabão e um pano macio ou uma esponja. Enxague com água limpa e deixe secar devidamente.

Se ocorrer acumulação de depósitos de calcário com o tempo, misture 2 colheres de sopa de vinagre branco e 1 chávena (250 ml) de água quente na panela interior e aqueça com a função de vapor durante 10 minutos antes de arrefecer e limpar com uma escova.



### NOTA

Pode lavar a panela interior na máquina de lavar louça, mas recomendamos que lave a panela interior com água morna e detergente. Enxague e deixe secar devidamente.

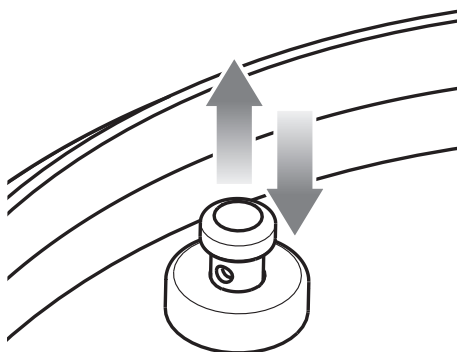


### AVISO

- Não utilize produtos de limpeza abrasivos, palha de aço ou esfregões porque podem danificar a superfície exterior e interior do aparelho.
- Nunca submerja a base de metal ou cabo de alimentação em água ou qualquer outro líquido porque pode provocar eletrocussão.
- Certifique-se de que o recipiente de cozedura amovível está na posição correta na panela de arroz Risotto Plus™ antes de começar a cozinhar.

## DESMONTAR A TAMPA:

- Puxe cuidadosamente a junta de silicone para retirá-la do suporte da junta. Verifique periodicamente se está limpa, flexível e sem fendas ou cortes. Se estiver danificada, não utilize o aparelho.
- Lave a parte interna da tampa com uma esponja ou um pano húmido com sabão. Use uma escova para remover resíduos de óleo, se necessário. Limpe com um pano limpo húmido.
- Inspeccione regularmente se a cobertura da válvula de libertação de pressão está limpa e sem líquidos/alimentos. Remova a cobertura da válvula de libertação de pressão da tampa e limpe com um pano com sabão e limpe. Enxague bem e recoloque fixando-a corretamente.
- Deve verificar e limpar regularmente a válvula de segurança de pressão para evitar qualquer entupimento que possa bloquear a válvula de segurança. Lave e limpe quaisquer resíduos de óleo ou alimentos. Certifique-se de que a válvula se move para dentro e fora suavemente após a limpeza.



## **JUNTA DE SILICONE:**

- Substitua a junta de silicone a cada 1–2 anos (consulte o Centro de Assistência Sage mais próximo).
- Lave a junta com água morna com sabão. Enxague com água limpa e deixe secar devidamente e coloque na posição original.
- Pode lavar a junta de silicone na prateleira superior da máquina de lavar louça para eliminar o cheiro de especiarias.
- Submerja a junta de silicone numa mistura de bicarbonato de sódio e água para eliminar os odores antes da limpeza.



### **AVISO**

Se a junta de silicone não estiver fixada corretamente no suporte, a tampa não vedará corretamente. Isso pode causar um funcionamento incorreto do aparelho e deixar escapar vapor ou líquido quente, o que pode causar queimaduras ou escaldões.



### **SUGESTÃO**

Para ajudar a eliminar os odores dos alimentos, misture ½ chávena (125 ml) de sumo de limão, 1 colher de sopa de casca de limão e 500 ml de água quente e ligue com pressão ALTA durante 5 minutos.

## **ARMAZENAMENTO:**

- Certifique-se de que a panela elétrica está desligada. A panela está desligada quando as luzes do ecrã estão desligadas.
- Retire a ficha do cabo de alimentação da tomada elétrica. Aguarde até que a panela e todos os acessórios arrefeçam na totalidade antes de os desmontar e limpar.
- Certifique-se de que a panela elétrica e todos os acessórios estão limpos e secos.

- Certifique-se de que a panela interior está instalada na panela.
- Certifique-se de que a tampa está fechada e trancada na sua devida posição.
- Armazene o aparelho na vertical com os seus pés de apoio nivelados. Não armazene nada na parte superior do aparelho.



## Resolução de problemas

PROBLEMA	SOLUÇÃO FÁCIL
<b>Não é possível abrir a tampa no final do ciclo de cozedura</b>	<ul style="list-style-type: none"> <li>• Prima o botão LIBERTAR VAPOR até que toda a pressão interna seja libertada e seja possível abrir a panela.</li> <li>• Se isto ocorrer frequentemente, é possível que seja necessário ajustar a panela elétrica para a altitude atual. Siga as instruções fornecidas na secção "Ajuste da Altitude"</li> </ul>
<b>O led TAMPA pisca e o alerta sonoro está a tocar.</b>	<ul style="list-style-type: none"> <li>• Rode a tampa para a posição correta para cozedura sob pressão ou cozedura lenta.</li> </ul>
<b>Está a sair vapor da tampa</b> <b>OU</b> <b>O pino de bloqueio de segurança não sobe</b> <b>OU</b> <b>A panela elétrica não alcança a pressão</b> <b>OU</b> <b>O temporizador não efetua a contagem decrescente.</b> <b>OU</b> <b>O ecrã apresenta "SEAL" (Selar)</b>	<ul style="list-style-type: none"> <li>• Monte a tampa corretamente, certificando-se de que não existe nenhuma folga entre o braço da tampa e a tampa de aço inoxidável. A porca de vedação deve ser enroscada firmemente.</li> <li>• Certifique-se de que a junta de silicone da tampa está limpa, sem danos ou fissuras e foi introduzida corretamente.</li> <li>• Certifique-se de que o pino de bloqueio de segurança se consegue mover livremente para cima e baixo.</li> <li>• Quando a tampa está trancada, certifique-se sempre de que o pino de bloqueio de segurança está devidamente alinhado na abertura do braço da tampa.</li> <li>• Certifique-se de que a válvula de libertação de vapor está corretamente assente na sua devida posição e virada para o botão da tampa.</li> <li>• Adicione mais líquidos/alimentos à panela. Deve haver uma quantidade mínima de 1 litro de alimentos e líquido combinados.</li> <li>• Contacte o serviço de atendimento ao cliente da Sage se o problema persistir.</li> </ul>
<b>A panela elétrica passa automaticamente para a função Manter Quente sem passar através de um ciclo de cozedura completo</b>	<ul style="list-style-type: none"> <li>• Adicione mais água à panela interior e reinicie o ciclo.</li> </ul>
<b>Está a acumular-se água na bancada da cozinha</b>	<ul style="list-style-type: none"> <li>• Certifique-se de que a panela elétrica se encontra numa superfície plana e nivelada e que o recipiente de recolha da condensação está instalado na traseira da panela elétrica. Cumpra as instruções fornecidas na secção "Preparar a Panela Elétrica Fast Slow GO™" na página 13.</li> <li>• Esvazie o recipiente de recolha da condensação.</li> </ul>
<b>O ecrã apresenta "Err"</b>	<ul style="list-style-type: none"> <li>• O ecrã apresenta "Err" quando ocorre um problema que não pode repor. Caso ocorra este erro, retire imediatamente a ficha do cabo de alimentação da tomada elétrica e contacte o suporte ao cliente da Sage.</li> </ul>
<b>Reposição de fábrica</b>	<ul style="list-style-type: none"> <li>• Mantenha premido os botões "sopa" e "sous vide" durante três segundos para repor as definições, incluindo o nível de altitude.</li> </ul>



## Garantia

### **GARANTIA LIMITADA DE 2 ANOS**

A Sage Appliances fornece uma garantia para este produto para uso doméstico nos territórios especificados de 2 anos a partir da data de compra contra avarias provocadas por defeitos na mão-de-obra e nos materiais. Durante este período da garantia, a Sage Appliances irá reparar, substituir ou reembolsar qualquer produto defeituoso (sob o critério exclusivo da Sage Appliances).

Todos os direitos legais da garantia ao abrigo da legislação nacional aplicável serão respeitados e não serão afetados pela nossa garantia. Visite [www.sageappliances.com](http://www.sageappliances.com) para consultar os termos e condições completos da garantia, bem como as instruções sobre como efetuar uma reclamação.





# Notas



## Notas

*the Fast Slow GO™*



PL INSTRUKCJA OBSŁUGI

**Sage®**



## Spis treści

- 2 Ważne zalecenia dotyczące bezpieczeństwa
- 9 Opis Twojego nowego urządzenia
- 10 Panel sterowania
- 11 Wykaz programów do przyrządzania potraw
- 12 Przegląd metod przyrządzania potraw
- 13 Obsługa Twojego nowego urządzenia
- 25 Konserwacja i czyszczenie
- 27 Rozwiązywanie problemów
- 28 Gwarancja

## WAŻNE ZALECENIA DOTYCZĄCE BEZPIECZEŃSTWA

**W Sage® zdajemy sobie sprawę z wagi bezpieczeństwa. Projektujemy i produkujemy urządzenia przede wszystkim z uwagą na twoje bezpieczeństwo. Prosimy jednak o ostrożność i przestrzeganie podczas użytkowania urządzenia elektrycznego następujących zaleceń dotyczących bezpieczeństwa.**

## WAŻNE INFORMACJE DOTYCZĄCE BEZPIECZEŃSTWA

### PRZECZYTAJ WSZYSTKIE INSTRUKCJE PRZED PIERWSZYM UŻYCIEM I ZACHOWAJ JE DO WGLĄDU W PRZYSZŁOŚCI.

- Wersja do pobrania tej instrukcji jest również dostępna na stronie [sageappliances.com](http://sageappliances.com).
- Nie dopuszczaj dzieci w pobliże urządzenia, dopóki jest używane.
- Nie wkładaj szybkowaru do włączonego piekarnika.
- Szybkowar należy przesuwając bardzo ostrożnie. Nie dotykaj gorących powierzchni. Korzystaj z rękojeści i uchwytów. Jeśli to konieczne, użyj kuchennych rękawic ochronnych.



### UWAGA

Nie używaj szybkowaru do innych celów niż te, do których jest on przeznaczony. To urządzenie przyrządza potrawy pod ciśnieniem. Jeśli nie jest używane prawidłowo, grozi to ryzykiem poparzenia. Przed włącze-

niem szybkowaru upewnij się, że jest prawidłowo zamknięty. Kieruj się wskazówkami użytkownika szybkowaru podanymi w niniejszej instrukcji.

- Do otwierania szybkowaru nie używaj siły. Przed otwarciem pokrywki garnka należy upewnić się, że ciśnienie wewnątrz garnka zostało całkowicie zredukowane. Kieruj się wskazówkami dotyczącymi redukcji ciśnienia podanymi w niniejszej instrukcji.
- Nie zdejmuj pokrywki, dopóki ciśnienie w garnku nie spadnie wystarczająco.
- Nigdy nie uruchamiaj garnka ciśnieniowego bez wody. Grozi poważne uszkodzenie urządzenia.
- Nie napełniaj garnka ponad 2/3 jego łącznej objętości. Podczas przyrządzania produktów, które podczas gotowania mogą napęcznieć, takich jak np. ryż, suszone warzywa itp., nie napełniaj garnka wodą powyżej połowy objętości.
- Grzałka umieszczona jest wewnątrz urządzenia.
- Po przyrządzeniu mięsa ze skórą (np. ogon wołowy), które może pod wpływem ciśnienia spęcznieć, nie przebijaj mięsa, gdy skóra jest spęczniała; zgromadzony w mięsie sok

może wówczas wytrysnąć i spowodować poparzenia.

- Podczas użytkowania powierzchnia grzałki się nagrzewa i może pozostać gorąca także po zakończeniu użytkowania.
- Przyrządzając produkty o twardej lub ciastowatej strukturze, ostrożnie garnkiem potrząśnij, aby zwolnić ciśnienie. W razie potrzeby przed otwarciem pokrywy należy ponownie odczekać, aż para się uwolni, aby uniknąć rozpryskiwania żywności.
- Przed każdym użyciem sprawdź, czy zawory nie są zatkane. Kieruj się instrukcją obsługi.
- Nigdy nie używaj garnka w trybie szybkowaru do smażenia potraw, zarówno z dużą jak i z małą ilością oleju.
- Nie manipuluj żadnymi systemami bezpieczeństwa poza wskazówkami dotyczącymi konserwacji zawartymi w instrukcji obsługi.
- Używaj wyłącznie części zamiennych marki Sage® zgodnych z odpowiednim modelem. W szczególności używaj korpusu i pokrywki marki Sage®, które są oznaczone jako kompatybilne.
- Przed pierwszym użyciem upewnij się, że napięcie w gniazdku sieciowym odpo-

wiada napięciu podanemu na tabliczce znamionowej na spodzie urządzenia. W razie jakichkolwiek wątpliwości zwróć się do wykwalifikowanego elektryka.

- Przed pierwszym użyciem należy usunąć z urządzenia wszystkie materiały pakunkowe, etykiety reklamowe i prawidłowo je zutylizuj.
- Aby wykluczyć ryzyko uduszenia małych dzieci, usuń opakowanie ochronne wtyczki kabla sieciowego tego urządzenia i w bezpieczny sposób je zutylizuj.
- Przed włączeniem urządzenia sprawdź, czy zostało ono prawidłowo zmontowane. Przestrzegaj wskazówek podanych w niniejszej instrukcji obsługi.
- Podczas podłączania zawsze najpierw wkładaj końcówkę kabla zasilania do urządzenia, a następnie podłączaj wtyczkę kabla zasilania do gniazdka sieciowego. Przed podłączeniem końcówki kabla upewnij się, że gniazdko w urządzeniu jest zupełnie suche.
- Unikaj polania końcówki przewodu zasilającego.
- Nie dotykaj gorących powierzchni. Podczas pracy i po jej zakończeniu powierzchnia urządzenia jest gorąca. Aby zapobiec poparzeniom lub

obrażeniom osób, zawsze korzystaj z rękawic kuchennych, ochronników kuchennych, uchwytów i innych dostępnych elementów.

- Nie stawiaj urządzenia na krawędzi blatu roboczego lub stołu. Upewnij się, że powierzchnia jest sucha, czysta i że nie ma na niej płynów lub innych substancji.
- Urządzenia przeznaczone do przyrządzania żywności muszą być ustawione na stabilnej powierzchni z uchwytami (jeśli są) umieszczonymi w taki sposób, aby nie można było o nie uderzyć i przewrócić urządzenia.
- Urządzenie należy zawsze używać na stabilnej i żaroodpornej powierzchni. Nie stawiaj urządzenia na powierzchni pokrytej tkaniną. Umieść urządzenie minimalnie 20 cm od ścian, zasłon lub innych materiałów wrażliwych na ciepło lub parę.
- Nie należy stawiać urządzenia na kuchence gazowej lub elektrycznej ani w jej pobliżu, ani w miejscach, gdzie mogłoby dotykać gorącego piecyka.
- Nie korzystaj z urządzenia na metalowym podłożu, na przykład w zlewie.
- Nie stawiaj uruchomionego urządzenia na kamiennej płycie.

Powierzchnia płyt jest czuła na nierównomierną temperaturę i może pęknąć, jeśli ogrzeje się w jednym miejscu. Jeśli musisz postawić garnek na takiej powierzchni, najpierw połóż na niej grubą drewnianą deskę lub podkładkę termoodporną.

- Na zmontowanym, używanym lub przechowywanym garnku nie kładź nic poza pokrywką.
- Nie używaj uchwyty pokrywki do przenoszenia całego garnka.
- Przed włożeniem wyjmowanej miski do przyrządzania potraw do komory wewnętrznej ze stali nierdzewnej upewnij się, że miska i komora urządzenia są całkowicie czyste. Wytrzyj je suchą, miękką szmatką.
- Nie używaj urządzenia z uszkodzoną wyjmowaną miską do przyrządzania potraw. Należy wymienić przed kolejnym użyciem.
- Nie wkładaj produktów spożywczych ani płynów bezpośrednio do nierdzewnego wnętrza garnka. Tylko wyjmowana miska jest przeznaczona do przyrządzania potraw i płynów.
- Przed użyciem zawsze kontroluj ciśnieniowy zawór odpowietrzający oraz bezpiecznik i wyczyść je w razie potrzeby. Skontroluj, czy bezpiecznik

swobodnie się porusza, gdy delikatnie go przyciśniesz w dolnej części pokrywki.

- Nie dotykaj zaworu ciśnieniowego, jeśli urządzenie jest używane.
- Używaj przycisku RELEASE do zwalniania ciśnienia (pary) z garnka po jego użyciu.
- Nie pozostawiaj włączonego urządzenia bez nadzoru.

## **WAŻNE WSKAZÓWKI DOTYCZĄCE BEZPIECZNEGO KORZYSTANIA ZE WSZYSTKICH URZĄDZEŃ ELEKTRYCZNYCH**

- Nie używaj urządzenia, jeśli jest zużyte, spadło lub jest w jakikolwiek sposób uszkodzone.
- Przed użyciem rozwiń całkowicie kabel zasilania.
- Nie przewieszaj kabla zasilającego przez krawędź stołu lub blatu roboczego. Zadbaj o to, aby nie dotykał gorących powierzchni ani się nie zaplątał.
- Podłączaj urządzenie wyłącznie do gniazdka sieciowego o napięciu 220–240 V.
- Wyłącz urządzenie, wyłącz bezpiecznik gniazdka, jeśli jest w nie wyposażone, odłącz przewód zasilający od gniazdka sieciowego i pozwól, aby wszystkie części urządzenia ostygły przed przeniesieniem

urządzenia, gdy nie jest używane, przed czyszczeniem lub przechowywaniem.


- Dzieci powyżej 8 roku życia oraz osoby o obniżonych zdolnościach fizycznych i umysłowych lub niewielkim doświadczeniu i wiedzy, mogą korzystać z tego urządzenia, jeśli jest nad nimi sprawowany nadzór lub zostały pouczone o korzystaniu z tego urządzenia w bezpieczny sposób i rozumieją niebezpieczeństwo grożące w przypadku niewłaściwego użytkownika.
- Dzieciom nie wolno bawić się tym urządzeniem.
- Czyszczenie i konserwację przeprowadzaną przez użytkownika można powierzyć dzieciom tylko w przypadku, że ukończyły 8 rok życia i są pod nadzorem.
- Utrzymuj urządzenie i jego kabel z dala od dzieci poniżej 8 roku życia.
- Zaleca się przeprowadzanie regularnych przeglądów urządzenia. Nie korzystaj z urządzenia, jeśli w jakikolwiek sposób uszkodzony jest przewód zasilający, wtyczka lub samo urządzenie. Naprawy i konserwację wykraczającą poza zwykłe czyszczenie należy powierzyć najbliższemu autoryzowanemu serwisowi marki


Sage lub znaleźć pomoc na [sageappliances.com](http://sageappliances.com).

- Wykorzystanie wyposażenia, które nie jest sprzedawane lub zalecane przez producenta marki Sage®, może spowodować wybuch pożaru, porażenie prądem elektrycznym lub obrażenia.
- Urządzenie jest przeznaczone do użytku domowego. Nie używaj urządzenia do innych celów niż te, do których jest ono przeznaczone. Nie używaj tego urządzenia w poruszających się pojazdach ani na statkach. Nie używaj urządzenia na zewnątrz. Nieprawidłowe użycie może doprowadzić do obrażeń.
- Urządzenia nie należy obsługiwać przy pomocy zewnętrznego timera lub osobnego pilota zdalnego sterowania.
- Zaleca się zainstalowanie ochronnika przepięciowego (standardowy włącznik w gniazdku) w celu zagwarantowania zwiększonej ochrony podczas użytkowania urządzenia. Zaleca się, aby w obwodzie elektrycznym, w którym urządzenie będzie użytkowane, zainstalowany był ochronnik przepięciowy (z nominalnym prądem szczytkowym max. 30 mA). Zwróć się do swego elektryka



o specjalistyczną pomoc.

-  Aby uniknąć porażenia prądem elektrycznym, nie zanurzaj kabla zasilającego, wtyczki zasilającej ani urządzenia w wodzie ani innych cieczach.

-  Ten symbol umieszczony na produktach lub w dokumentacji przewodniej oznacza, że zużyte urządzenia elektryczne lub elektroniczne nie mogą być wyrzucane wraz ze zwykłym odpadem komunalnym. Aby je prawidłowo zutylizować, odnowić lub poddać recyklingowi, przekaz te wyroby do właściwych punktów zbiórki odpadów. Szczegółowych informacji udzieli najbliższy lokalny urząd lub najbliższy punkt zbiórki odpadów.

## DANE TECHNICZNE

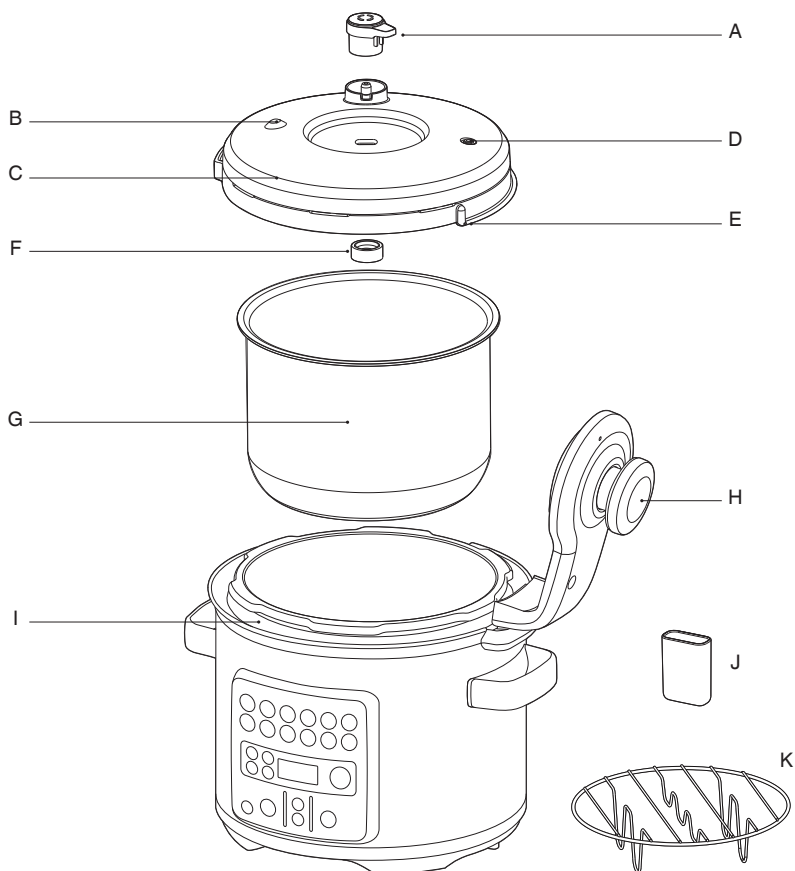
Model	SPR680
Całkowita pojemność nominalna	6 litrów
Pojemność użytkowa	4 litry
Ciśnienie robocze	80 kPa
Źródło ciepła	Grzałka elektryczna

Parametry techniczne mogą się zmieniać bez wcześniejszego uprzedzenia.

**WYŁĄCZNIE DO UŻYTKU  
DOMOWEGO ZACHOWAJ  
NINIEJSZĄ INSTRUKCJĘ**

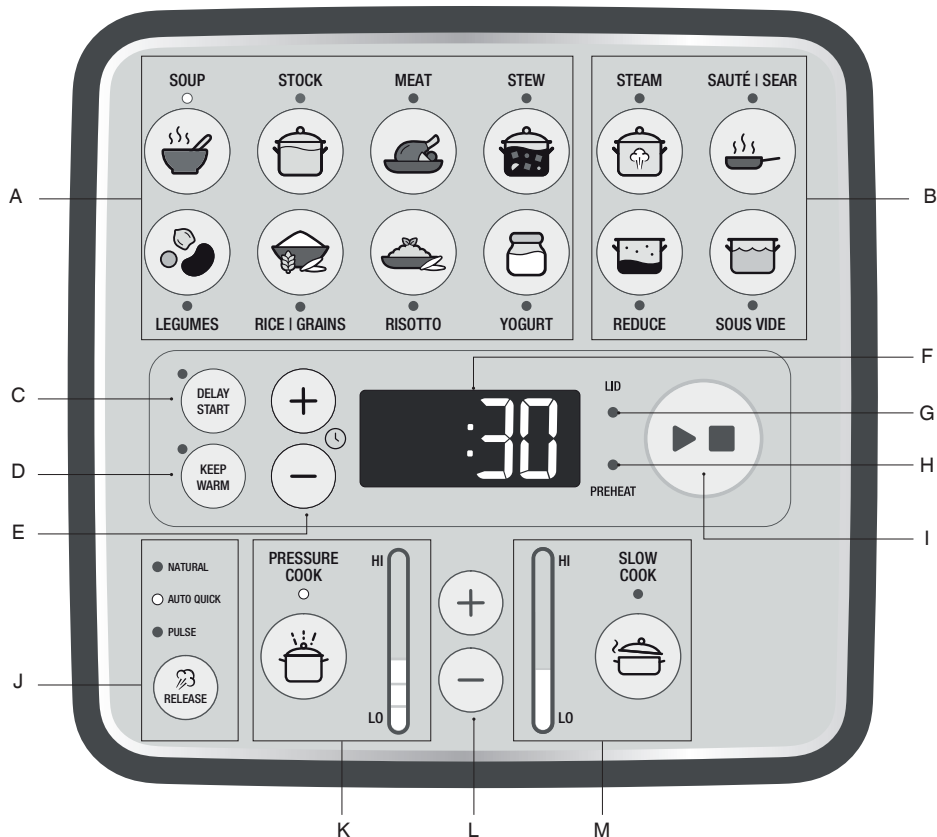


## Opis Twojego nowego urządzenia



- A. Zawór regulacji ciśnienia automatycznie reguluje prędkość uwalniania pary z garnka
- B. Ciśnieniowy zawór bezpieczeństwa
- C. Wyjmowana pokrywa, którą można myć w zmywarce do naczyń
- D. Bezpiecznik wyskoczy, gdy osiągnięte zostanie potrzebne ciśnienie i będzie działać jako zamykający system bezpieczeństwa
- E. Silikonowa uszczelka pokrywy Łatwe wkładanie umożliwia bezproblemowy montaż i czyszczenie
- F. Nakrętka uszczelniająca
- G. Wyjmowana miska do przyrządzania potraw, 6 l
- H. Ramię pokrywki
- I. Łatwa w pielęgnacji krawędź Wychwytuje skondensowane krople w celu szybkiego i łatwego czyszczenia.
- J. Naczynie na skondensowaną wodę
- K. Kratka ze stali nierdzewnej Zapobiega zanurzeniu żywności w wodzie podczas grillowania i gotowania na parze.

## PANEL STEROWANIA



- A. Zdefiniowane programy przyrządzenia potraw z ikonami
- B. Zdefiniowane metody przyrządzenia potraw z ikonami
- C. Przycisk DELAY START (opóźniony start)
- D. Przycisk KEEP WARM (zachowanie w ciepłe)
- E. Przyciski ustawiania czasu przyrządzenia (+/-)
- F. Wyświetlacz
- G. Kontrolka LID (sygnalizuje zamkniętą/otwartą pokrywę)
- H. Kontrolka PREHEAT (podgrzewanie)
- I. Przycisk włączania/anulowania
- J. Przycisk RELEASE (upust pary) z lampkami kontrolnymi dla poszczególnych trybów uwalniania pary
- K. Przycisk PRESSURE COOK z lampką kontrolną  
Wskaźnik poziomu ciśnienia w garnku podczas gotowania potraw w trybie szybkowaru
- L. Przycisk regulacji ciśnienia/temperatury (+/-)
- M. Przycisk SLOW COOK z lampką kontrolną  
Wskaźnik temperatury w garnku podczas gotowania potraw w trybie wolnowaru



### Informacje techniczne:

220-240 V~ 50-60 Hz 900-1100 W Produkt jest zgodny z wymogami UE.

## WYKAZ PROGRAMÓW DO PRZYRZĄDZANIA POTRAW

### TRYB: SZYBKOWAR

PROGRAM	USTAWIENIA POCZĄTKOWE	ZAKRES USTAWIEŃ
<b>Soup (zupa)</b>	50 kPa – około 110°C 30 MINUT AUTO QUICK	10 kPa – 80 kPa Do 2:00 GODZ.
<b>Stock (Rosół)</b>	80 kPa – około 116°C 1 GODZINA AUTO QUICK	10 kPa – 80 kPa Do 2:00 GODZ.
<b>Meat (Mięso)</b>	80 kPa – około 116°C 1 GODZINA AUTO QUICK	10 kPa – 80 kPa Do 2 GODZ.
<b>Stew (Potrawy duszone)</b>	60 kPa – około 112°C 1 GODZINA AUTO QUICK	10 kPa – 80 kPa Do 2 GODZ.
<b>Legumes (Rośliny strączkowe)</b>	80 kPa – około 116°C 30 MINUT NATURAL	10 kPa – 80 kPa Do 2 GODZ.
<b>Rice   Grains (Ryż   Produkty zbożowe)</b>	50 kPa – około 110°C 10 MINUT AUTO PULSE	10 kPa – 80 kPa Do 2 GODZ.
<b>Risotto</b>	40 kPa – około 108°C 7 MINUT AUTO QUICK	10 kPa – 80 kPa Do 2 GODZ.

### TRYB: WOLNOWAR

PROGRAM	USTAWIENIA POCZĄTKOWE	ZAKRES USTAWIEŃ
<b>Soup (zupa)</b>	HIGH - 95°C 04:00 GODZ. ZACHOWANIE W CIEPLE	Czas przyrządzenia: 2 do 12 godzin Temperatura: High - Low Zachowanie w cieple: włączone/wyłączone
<b>Stock (Rosół)</b>	HIGH - 95°C 04:00 GODZ. ZACHOWANIE W CIEPLE	Czas przyrządzenia: 2 do 12 godzin Temperatura: High - Low Zachowanie w cieple: włączone/wyłączone
<b>Meat (Mięso)</b>	LOW - 90°C 08:00 GODZ.	Czas przyrządzenia: 2 do 12 godzin Temperatura: High - Low Zachowanie w cieple: włączone/wyłączone
<b>Stew (Potrawy duszone)</b>	LOW - 90°C 08:00 GODZ.	Czas przyrządzenia: 2 do 12 godzin Temperatura: High - Low Zachowanie w cieple: włączone/wyłączone
<b>Legumes (Rośliny strączkowe)</b>	HIGH - 95°C 06:00 GODZ.	Czas przyrządzenia: 2 do 12 godzin Temperatura: High - Low Zachowanie w cieple: włączone/wyłączone

<b>YOGHURT (jogurt)</b>	Faza 1 Pasteryzacja 10 MIN Temperatura: 83°C ZACHOWANIE W CIEPLE WYŁĄCZONE	Faza 2 Chłodzenie* Do 3 godzin Temperatura: od 83°C do 43°C ZACHOWANIE W CIEPLE WYŁĄCZONE	Faza 3 Dojrzewanie 8 godzin Temperatura: 43°C ZACHOWANIE W CIEPLE WYŁĄCZONE	Czas przyrządzenia: 8 do 16 godzin Temperatura: -- Zachowanie w cieple:--
-------------------------	---	---	--	--

**\* Czas chłodzenia przy otwartej pokrywie (dla 2 l mleka):**

Obniżenie temperatury z 83°C do 43°C może trwać do 1 godziny i 20 minut.

Czas chłodzenia przy zamkniętej pokrywie (dla 2 l mleka):

Obniżenie temperatury z 83°C do 43°C może trwać do 3 godzin.

## PRZEGLĄD METOD PRZYRZĄDZANIA POTRAW

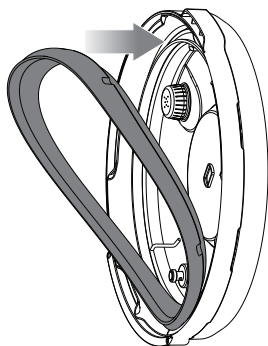
<b>METODA PRZYRZĄDZANIA</b>	<b>USTAWIONY CZAS PRZYRZĄDZANIA / TEMPERATURA</b>	<b>ZAKRES USTAWIEŃ</b>
<b>SAUTÉ / SEAR</b>	WCZYTYWANIE CZASU PRZYRZĄDZANIA	Temperatura: High - (Szybko opiec) 168°C Med - (Smażyć w małej ilości tłuszczu) 150°C Low - (Smażyć w małej ilości tłuszczu) 130°C
<b>REDUCE (ZAGĘSZCZANIE)</b>	HIGH 10 MINUT	Temperatura: Low - 105°C Med - 115°C High - 130°C
<b>STEAM (PRZYRZĄDZANIE NA PARZE)</b>	15 MINUT	Temperatura: 100°C
<b>SOUS VIDE</b>	1 GODZINA	Temperatura: 57°C
<b>ZACHOWANIE W CIEPLE</b>	2 GODZINY WCZYTYWANIE CZASU PRZYRZĄDZANIA	Temperatura: 70°C



## Obsługa Twojego nowego urządzenia

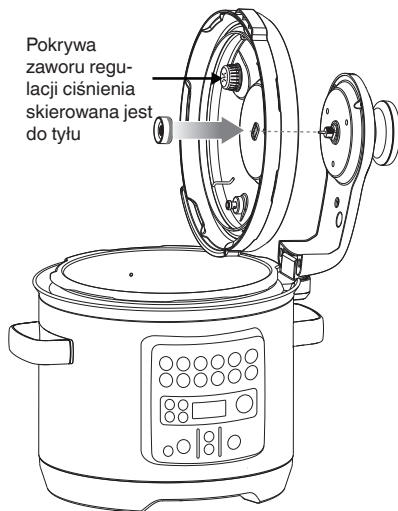
### PRZED PIERWSZYM UŻYCIEM

1. Przed pierwszym użyciem usuń z garnka całe opakowanie, naklejki reklamowe i etykiety i bezpiecznie je zutylizuj.
2. Odblokuj pokrywę przez obrót uchwyty w kierunku przeciwnym do ruchu wskazówek zegara i otwórz pokrywę ku górze, aż znajdzie się w otwartej, przewieszanej pozycji. Odkręć i wyjmij nakrętkę uszczelniającą ze środka pokrywki i wyciągnij pokrywę, aby zdjąć ją z ramienia.
3. Umyj pokrywę, wyjmowaną miskę i silikonową uszczelkę pokrywki w ciepłej wodzie z odrobiną płynu do mycia naczyń, następnie optucz i wytrzyj do sucha. Wytrzyj powierzchnię wewnętrzną i zewnętrzną garnka przy pomocy miękkiej gąbki lekko nawilżonej w ciepłej wodzie i wytrzyj do sucha.
4. Załóż silikonową uszczelkę z powrotem na druciane kółko w spodniej części pokrywki. W razie potrzeby popraw jej pozycję, aby była bezpiecznie umieszczona na kółku i nie była wykręcona.



5. Umieść pokrywę tak, aby osłona zaworu regulacji ciśnienia znalazła się w tylnej części garnka. Wyrównaj środek pokrywki ze śrubą w spodniej części ramienia i załóż pokrywę tak, aby gwint śruby przeszedł przez otwór w pokrywie. Przykręć nakrętkę uszczelniającą na gwint śruby tak, aby czerwone kółko dotykało pokrywki.

Pokrywa zaworu regulacji ciśnienia skierowana jest do tyłu



6. Wytrzyj i osusz dolną część wyjmowanej miski i czujnika termicznego, aby się upewnić, że na powierzchni nie ma żadnych resztek płynów i produktów spożywczych. Wyjmowana miska musi być umieszczona równo na czujniku termicznym, aby zagwarantować prawidłowy kontakt.
7. Załóż naczynie na skroploną wodę na swoje miejsce.
8. Upewnij się, że gniazdko w korpusie garnka jest całkiem suche. Następnie włóż końcówkę kabla doprowadzającego do gniazdka w korpusie garnka. Następnie włóż wtyczkę kabla zasilania do uziemionego gniazdka sieciowego 230/240 V.
  - Ustaw wysokość (nad poziomem morza) – na wyświetlaczu pojawi się Set - Alt – (wysokość) – metry.
  - Użyj przycisków regulacji czasu przygotowania (+/-), aby ustawić wysokość (0 – 2000+ metrów, co 250 m).
  - Aby potwierdzić, naciśnij przycisk włączania/anulowania.
9. Zabrmi sygnał dźwiękowy i wyświetlacz się podświetli.
10. Zalecamy uruchomienie garnka z wodą na 15 minut w trybie szybkiwaru, w celu usunięcia warstw ochronnych z wyjmowanej miski i grzałki.

**UWAGA**

Używaj tylko wyjmowanej miski przeznaczonej do tego urządzenia. Użycie innych pojemników, które nie zostały dostarczone wraz z urządzeniem, spowoduje nieodwracalne uszkodzenie urządzenia.

**ELEMENTY PANELU STEROWANIA**

The Fast Slow GO™ jest wyposażony w 6 zdefiniowanych metod przyrządzania potraw: Pressure Cook (szybkowar), Slow Cook (wolnowar), Sauté/Sear (**o piekanie/smażenie**), Steam (przyrządzanie na parze) i Sous Vide (przyrządzania w kąpeli wodnej). Ponadto wyposażony jest w 8 zdefiniowanych programów przyrządzania potraw: Soup (zupa), Stock (rosół), Meat (mięso), Stew (potrawy duszone), Legumes (rośliny strączkowe), Rice/Grains (ryż / produkty zbożowe), Risotto i Yoghurt (jogurt).

**PROGRAMY PRYZRĄDZANIA POTRAW**

Panel sterowania oferuje 8 zdefiniowanych programów przyrządzania potraw.

Każdy z 8 zdefiniowanych programów posiada zapisane ustawienia domyślne, które pomagają osiągnąć najlepsze rezultaty dla danego rodzaju potrawy. Dla prawie wszystkich programów można wybrać przyrządzanie w trybie szybkowaru lub w trybie wolnowaru.

W zależności od wybranego trybu, za pomocą przycisku wybranego programu można regulować ciśnienie lub temperaturę, czas przyrządzania, sposób uwalniania pary, jak również włączanie/wyłączanie funkcji utrzymywania w ciepłe.



Garnek Fast Slow GO™ oferuje dwie podstawowe opcje przyrządzania potraw w trybach szybkowaru i wolnowaru, a mianowicie przyrządzanie automatyczne i przyrządzanie ręczne. W przyrządzaniu automatycznym (po wybraniu jednego ze 8 zdefiniowanych programów i trybu gotowania: szybkowar lub wolnowar) można zachować dotychczasowe parametry lub zmienić czas przyrządzania, włączyć/wyłączyć funkcję utrzymywania w ciepłe lub

włączyć/wyłączyć funkcję opóźnionego startu. W trybie przyrządzania ręcznego można dostosować poszczególne parametry (ciśnienie lub temperaturę, sposób uwalniania pary itp.) do własnych preferencji – więcej informacji na ten temat znajduje się w poniższych instrukcjach.

Poniższa tabela pokazuje, który program może być używany w trybie szybkowaru i wolnowaru.

PROGRAM	SZYBKOWAR	WOLNOWAR
<b>Soup (zupa)</b>	✓	✓
<b>Stock (Rosół)</b>	✓	✓
<b>Meat (Mięso)</b>	✓	✓
<b>Stew (Potrawy duszone)</b>	✓	✓
<b>Legumes (Rośliny strączkowe)</b>	✓	✓
<b>Rice / Grains (Ryż / Produkty zbożowe)</b>	✓	x
<b>Risotto</b>	✓	x
<b>YOGHURT (jogurt)</b>	x	✓

**PODSTAWOWE ETAPY PRYZRĄDZANIA Np.****Program SOUP (Zupa)** 

- Wciśnij ikonę SOUP (Zupa)  na panelu sterowania.
- Panel sterowania automatycznie oferuje przyrządzanie w trybie szybkowaru. Aby wybrać tryb wolnowaru, należy nacisnąć przycisk .
- Na wyświetlaczu automatycznie pojawi się dokładny czas gotowania i ciśnienie odpowiednie dla zupy.
- Użyj przycisków regulacji czasu gotowania (+/-), aby ustawić czas przyrządzania.
- Po umieszczeniu składników w misie należy nacisnąć przycisk włączania/anulowania, aby rozpocząć przygotowywanie potrawy.



## WSKAZÓWKA

Jeśli przed przygotowaniem trzeba upiec warzywa lub usmażyć kawałki mięsa, należy najpierw wybrać opcję SAUTE/SEAR. Gdy warzywa lub mięso będą już przyrumienione, naciśnij przycisk włączania/anulowania, aby zakończyć proces.




## UWAGA

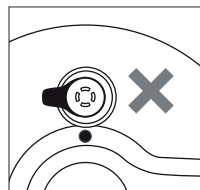
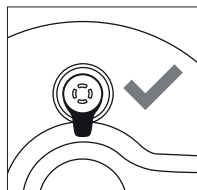
- Na początku używania trybu szybkowaru do przyrządzania potraw może wydostać się duża ilość pary. Ponieważ uwalniana jest znacznie większa ilość pary, należy trzymać ręce i twarz z dala od zaworu regulacji ciśnienia (więcej informacji na ten temat znajduje się na stronie 15 w części „Bezkontaktowe uwalnianie pary”).
- Przestrzegaj również wskazówek zawartych w poprzednim rozdziale instrukcji „Wykaz programów do przyrządzania potraw” i „Wykaz metod przyrządzania potraw”.
- Jeśli w przypadku zdefiniowanego programu nie świeci żadna lampka kontrolna, garnek znajduje się w trybie ręcznym. Naciśnij przycisk żądanego programu, aby powrócić do ustawień domyślnych.
- Ilość pary lub sposób jej uwalniania są zaprogramowane dla każdego programu przyrządzania, w celu uzyskania najlepszych rezultatów. Wszelkie zmiany trybu uwalniania pary mogą doprowadzić do przelania potrawy z garnka.

## RĘCZNE USTAWIANIE TRYBU SZYBKOWARU

Gotowanie w szybkowarze to metoda gotowania żywności w małej ilości wody z uszczelnioną pokrywą wyposażoną w uszczelkę, która utrzymuje parę wydobywającą się z żywności wewnątrz garnka, podczas gdy wytwarzane jest ciśnienie. Wraz ze wzrostem ciśnienia w garnku, wzrasta również temperatura wody i pary wewnątrz garnka, znacznie powyżej punktu wrzenia, co przyspiesza gotowanie nawet o 70%. Oznacza to, że podczas przyrządzania zużyjesz mniej energii, co znacznie skróci czas

przyrządzania i obniży koszty. Ponieważ gotowanie w szybkowarze wymaga niewielkiej ilości wody, takie potrawy zachowują więcej witamin, minerałów i innych wartości odżywczych, a także zachowują swój naturalny smak.

1. Aby uruchomić ręczne ustawienia szybkowaru, naciśnij i przytrzymaj przez 2 sekundy przycisk PRESSURE COOK .
2. Do regulacji ciśnienia użyj przycisków regulacji ciśnienia/temperatury (+/-). Ciśnienie można ustawić w zakresie od 10 kPa (LOW – niskie ciśnienie) do 80 kPa (HIGH – wysokie ciśnienie).
3. Wartość liczbowa na wyświetlaczu podaje domyślny czas przyrządzania dla wybranych ustawień. Użyj przycisków regulacji czasu gotowania (+/-) (w pobliżu wyświetlacza), aby wydłużyć lub skrócić czas gotowania. Czas przyrządzania można ustawić do 2 godzin.
4. Użyj przycisku RELEASE, aby wybrać metodę uwalniania pary: „NATURAL”, „AUTO QUICK” i „PULSE”.
5. Włóż produkty do wyjmowanej miski. Upewnij się, że poziom wody z włożonymi produktami spożywczymi osiągnął co najmniej 1 litr.
6. Zamknij pokrywę i obróć uchwyt w kierunku ruchu wskazówek zegara, aby je zamknąć. Gdy pokrywa jest prawidłowo zablokowana, zabrzmi sygnał dźwiękowy.
7. Upewnij się, że zawór regulacji ciśnienia jest umieszczony na pokrywie w pozycji zamkniętej – patrz rysunek poniżej.



8. Naciśnij przycisk włączania/anulowania, aby uruchomić garnek. Przycisk włączania/anulowania zapali się na pomarańczowo i kontrolka świetlna „PREHEAT” się zapali.



**UWAGA**

To normalne, że garnek ciśnieniowy uwolni małą ilość pary, aby doszło do stabilizacji ciśnienia wewnątrz garnka.

9. W przypadku nieprawidłowego zamknięcia pokrywy na panelu sterowania zaczną migać kontrolka „LID” i rozlegnie się sygnał ostrzegawczy. Przyrządzenie zostaje przerwane do momentu prawidłowego zamknięcia pokrywy. Obróć uchwyt pokrywy w kierunku ruchu wskazówek zegara, aby zablokować pokrywkę i włącz proces przyrządzania.
10. Gdy ciśnienie w garnku osiągnie ustawiony poziom, zgaśnie kontrolka „PREHEAT”, rozlegnie się akustyczny sygnał ostrzegawczy, a na wyświetlaczu rozpocznie się odliczanie czasu przyrządzania.
11. Czas przyrządzania można również regulować w trakcie gotowania. Użyj przycisków ustawiania czasu przyrządzania (+/-). Przyrządzenie można w dowolnym czasie przerwać przez wciśnięcie przycisku włączania/anulowania. Aby anulować przyrządzenie, wciśnij i przytrzymaj przycisk włączania/anulowania przez około 2 sekundy. Jeśli wewnątrz garnka już powstało ciśnienie, garnek automatycznie przełączy się na tryb uwalniania pary.
12. Na końcu przyrządzania zabrmi sygnał dźwiękowy i para automatycznie uwolni się przez ciśnieniowy wentyl odpowietrzający. Kontrolka świetlna wybranego uwalniania pary zacznie migać, a wyświetlacz zacznie odliczać czas.
13. Jeśli wybrano tryb uwalniania pary NATURAL, ciśnienie naturalnie uwolni się bez odprowadzania przez zawór regulacji ciśnienia. Tryb uwalniania pary można zmienić także podczas uwalniania pary przez wciśnięcie przycisku RELEASE.
14. Po zakończeniu uwalniania pary zabrmi sygnał dźwiękowy, wyświetlacz zacznie migać, a jeśli włączona jest funkcja utrzymywania w cieple, na wyświetlaczu rozpocznie się odliczanie czasu.

15. Odblokuj pokrywkę przez obrót uchwytu w kierunku przeciwnym do ruchu wskazówek zegara i otwórz pokrywkę ku górze, aż znajdzie się w otwartej, przewieszanej pozycji.

16. Po 5 minutach bezczynności garnek przełączy się na tryb czuwania. Podświetlenie wyświetlacza zgaśnie.

**UWAGA**

Aby zapobiec ewentualnym poparzeniom gorącą parą, nigdy nie zbliżaj twarzy ani rąk nad garnek przy otwartej pokrywce.

**UWAGA**

Jeśli pokrywki nie można odblokować, oznacza to, że garnek jest jeszcze pod ciśnieniem. Nie otwieraj pokrywki siłą, ponieważ jakiegokolwiek ciśnienie resztkowe może być niebezpieczne.

Naciśnij i przytrzymaj przycisk RELEASE, aby ręcznie uwolnić ciśnienie pozostałe w garnku.

**TABELA CIŚNIENIA**

Tabela pokazuje przybliżoną temperaturę dla każdego poziomu ciśnienia w kPa:

Poziom ciśnienia (kPa)	Temperatura (°C)
10	102
20	104
30	106
40	108
50	110
60	112
70	114
80	116

**BEZDOTYKOWE UWALNIANIE PARY**

The Fast Slow GO™ jest wyposażony w 3 tryby uwalniania pary:

**Auto Quick (automatyczne i szybko uwalnianie pary)**

Para jest uwalniana szybko, aby zminimalizować możliwość przegotowania.

Tryb ten jest również odpowiedni, gdy czas przyrządzenia jest bardzo krótki.

Nie zaleca się stosowania tego trybu uwalniania pary do potraw, które zwiększają objętość lub pienia się podczas przyrządzenia.

### **Puls (uwalnianie pary w krótkich odstępach czasu)**

Para zostaje uwalniana stopniowo, aby przyrządzane produkty nie uległy zniszczeniu/dewaluacji.

Ta metoda uwalniania pary jest zalecana dla potraw, które podczas gotowania wytwarzają niewielką ilość piany lub nie wytwarzają jej wcale.

### **Natural (naturalne uwalnianie pary)**


Para zostaje uwalniana naturalnie, bez uwalniania przez zawór regulacji ciśnienia, aby uniknąć zawirowania lub uszkodzenia kruchych produktów, takich jak wywary i fasola.

Ta metoda uwalniania pary jest odpowiednia dla wszystkich rodzajów przepisów kulinarnych.



### **UWAGA**

W przypadku niektórych rodzajów produktów spożywczych (np. warzyw strączkowych), które nadmiernie się pienią, zaleca się korzystanie z trybu naturalnego uwalniania pary (Natural), aby zapobiec ewentualnemu wykipieniu podczas uwalniania pary.

Tryby wybieraj wciskając przycisk **RELEASE**  na panelu sterowania podczas ustawiania i podczas uwalniania pary. Gdy wybierzesz tryb, zawór regulacji ciśnienia automatycznie uwolni parę na końcu czasu przyrządzenia.

Przez wciśnięcie i przytrzymanie przycisku **RELEASE** podczas lub po zakończeniu przyrządzenia otworzysz zawór regulacji ciśnienia.



### **UWAGA**

Ilość pary lub tryb jej uwalniania są zaprogramowane dla każdego rodzaju przyrządzenia, w celu uzyskania

najlepszych rezultatów. Wszelkie zmiany trybu uwalniania pary mogą doprowadzić do wykipienia potrawy z garnka.




### **UWAGA**

Nie zbliżaj rąk ani twarzy do zaworu regulacji ciśnienia, ponieważ para jest gorąca i może wytrysnąć także gorąca woda.

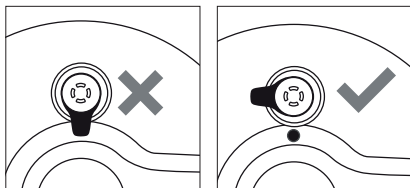
## **RĘCZNE USTAWIANIE TRYBU WOLNOWARU**

Tryb wolnowaru jest zaprojektowany do długiego przyrządzenia w niskiej temperaturze. Ten sposób przyrządzenia jest również idealny do gotowania twardszych kawałków mięsa, aby wydobyć z nich właściwy smak.

1. Wybierz żądany program na panelu sterowania, a następnie naciśnij przycisk **SLOW COOK** .
2. Na wyświetlaczu pokaże się ustawiona wstępnie temperatura dla wybranego programu. Użyj przycisków regulacji ciśnienia/temperatury (+/-), aby obniżyć lub podwyższyć temperaturę. Temperaturę można ustawić na dwie zdefiniowane wartości: HI (wysoka) - LO (niska).
3. Na wyświetlaczu pokaże się ustawiony wstępnie czas przyrządzenia dla wybranego programu. Użyj przycisków regulacji czasu przyrządzenia (+/-), aby skrócić lub wydłużyć czas przyrządzenia. Czas przyrządzenia można ustawić od 2 do 12 godzin.
4. Lampka kontrolna **KEEP WARM** (zachowaj w ciepłe) zapali się automatycznie po zakończeniu gotowania w trybie wolnowaru, a funkcja zachowania w ciepłe zostanie automatycznie aktywowana. Naciśnij przycisk **KEEP WARM** na panelu sterowania, aby anulować lub przywrócić funkcję utrzymywania ciepła.
5. Włóż produkty do wyjmowanej miski. Upewnij się, że poziom wody

z włożonymi produktami spożywczymi osiągnął co najmniej 1 litr.

6. Zamknij i zabezpiecz pokrywę.
7. Obróć zawór uwalniania ciśnienia do pozycji otwartej – patrz rysunek poniżej.



8. Naciśnij przycisk włączania/anulowania, aby uruchomić garnek. Przycisk włączania/anulowania zapali się na pomarańczowo.
9. Czas przyrządzenia pojawi się na wyświetlaczu i włączy się automatyczne odliczanie. Czas przyrządzenia można również regulować w trakcie gotowania. Użyj do tego przycisku ustawiania czasu przyrządzenia (+/-). Przyrządzenie można w dowolnym czasie przerwać przez wciśnięcie przycisku włączania/anulowania. Podczas przerwy w przyrządzaniu można zmienić już wprowadzone ustawienia. Wciśnij ponownie przycisk włączania/anulowania, aby wznowić pracę garnka w nowych, zmienionych ustawieniach.



## UWAGA

Jeśli musisz uwolnić parę z garnka podczas przerwy w gotowaniu, naciśnij i przytrzymaj przycisk RELEASE. Podczas gotowania w trybie wolnowaru może powstać niskie ciśnienie, które może spowodować, że pokrywę będzie trudno otworzyć. W takiej sytuacji wciśnij i przytrzymaj przycisk RELEASE, aby zwolnić ciśnienie wewnątrz garnka. Następnie będzie można otworzyć pokrywę.

10. Po zakończeniu gotowania garnek automatycznie przełączy się na funkcję utrzymywania w ciepłe, o ile nie została ona anulowana przy pierwszym ustawieniu. Zapali się lampka kontrolna KEEP WARM, a wyświetlacz zacznie odliczać czas do maksymalnie 6

godzin. Funkcję utrzymywania w ciepłe można anulować w dowolnym momencie, naciskając przycisk włączania/anulowania.

11. Jeśli funkcja utrzymywania w ciepłe została anulowana, rozlegnie się ostrzeżenie dźwiękowe, a przycisk włączania/anulowania zgaśnie.
12. Po 5 minutach bezczynności garnek przełączy się na tryb czuwania. Kontrolki świetlne zgasną.

## WSKAZÓWKI DOTYCZĄCE SZYBKOWARU I WOLNOWARU

### Soup (zupa)

- Program Soup (zupa) w trybie szybkowaru lub wolnowaru nadaje się do przyrządzania różnych zup, od lekkich bulionów, przez obfite zupy minestrone aż po gęste zupy warzywne.
- Przed uruchomieniem programu użyj SAUTE/SEAR, aby opiec mięso lub przyprawę.
- Aby skrócić czas gotowania w szybkowarze, dodaj zimną wodę/bulion podczas podsmażania mięsa i podgrzewaj wodę do momentu, gdy zacznie delikatnie wrzeć.
- Nie przepełniaj miski do przyrządzenia potraw. Łączna ilość zupy nie powinna przekroczyć znacznika maximum MAX wewnątrz miski.

### Stock (Rosół)

- Program Stock (Rosół) w trybie szybkowaru lub wolnowaru jest odpowiedni do przygotowania różnych bulionów, w tym rosolu z kurczaka, wołowego lub warzywnego.
- Aby uzyskać dobrej jakości ciemny bulion, należy użyć funkcji SAUTE/SEAR do podsmażenia kości i warzyw przed gotowaniem w szybkowarze lub wolnowarze.
- Warzywa takie jak cebula, marchew lub seler należy pokroić w większe kawałki. W ten sposób uzyskasz czysty bulion, warzywa nie rozgotują się i łatwiej będzie

je wyjąć z gotowego bulionu pod koniec przygotowania.

- Aby skrócić czas gotowania w szybkowarze, podczas opiekania składników dodaj zimną wodę i podgrzewaj ją do momentu, gdy dojdzie do delikatnego wrzenia.
- Nie przepelniaj miski do przyrządzania potraw. Łączna ilość rosołu z wodą, kośćmi i/lub warzywami nie powinna przekroczyć znacznika maximum MAX wewnątrz miski.

### **Meat (Mięso)**

- Program Meat (Mięso) w trybie szybkowaru lub wolnowaru wykorzystuje wysoką temperaturę/ciśnienie do rozbitcia tkanki łącznej i uzyskania delikatnego i soczystego mięsa. Sosy są gęste i mają wyraźny smak.
- Wybieraj dobre kawałki mięsa, aby uzyskać najlepszy smak i konsystencję.
- Większe kawałki mięsa pokrój na 2 do 3 mniejszych kawałków, aby zmieściły się w naczyniu.
- Przed uruchomieniem programu użyj SAUTÉ/SEAR, aby opiec mięso. W przypadku większej ilości mięsa piecz je partiami.
- W przeciwieństwie do tradycyjnego gotowania lub duszenia, podczas przyrządzania mięsa w szybkowarze lub wolnowarze niemal nie dochodzi do odparowywania wody. Aby uzyskać naprawdę smaczne danie, użyj mniejszej ilości płynu niż w tradycyjnym przepisie (maksymalnie 250 - 375 ml).
- Nie przepelniaj miski do przyrządzania potraw. Łączna ilość surowych produktów nie powinna przekroczyć znacznika maximum MAX wewnątrz miski.

### **Stew (Potrawy duszone)**

- Program Stew (Potrawy duszone) w szybkowarze lub wolnowarze jest idealny do przyrządzania mięsa mielonego, sosów mięsnych i obfitych potraw duszonych.
- Przed uruchomieniem programu użyj

SAUTE/SEAR, aby opiec mięso lub przyprawy.

- W przeciwieństwie do tradycyjnego duszenia na kuchence podczas przyrządzania mięsa w szybkowarze lub wolnowarze niemal nie dochodzi do odparowywania wody. Aby uzyskać gęste sosy, bogate chili i inne potrawy gulaszowe, dodaj mniej płynu niż w tradycyjnym przepisie. Użyj REDUCE po zakończeniu przyrządzania, aby zagęścić zbyt rzadki sos.
- Nie przepelniaj miski do przyrządzania potraw. Łączna ilość surowych składników nie powinna przekroczyć znacznika maximum MAX wewnątrz miski.

### **Legumes (Rośliny strączkowe)**

- Program Legumes (Rośliny strączkowe) w trybie szybkowaru lub wolnowaru nadaje się do przyrządzania wszystkich rodzajów roślin strączkowych, soczewicy lub suszonej fasoli.
- Rośliny strączkowe i inne ziarna mogą się nadmiernie pienić podczas gotowania. Wybierz tryb uwalniania pary NATURAL, który zapewni, że piana nie przedostanie się do zaworu regulacji ciśnienia.
- Czasy przyrządzania określono dla nienamoczonych suszonych roślin strączkowych. Aby skrócić czas przyrządzania, namocz nasiona roślin strączkowych w zimnej wodzie i pozostaw na noc, najlepiej w lodówce, aby napęczniały. Odcedź namoczone nasiona roślin strączkowych i gotuj je w czystej wodzie przez połowę ustawionego czasu gotowania.
- Wykorzystaj stosunek 1 część roślin strączkowych i 3 części wody.
- Ziarna i nasiona roślin strączkowych pęcznieją i mogą nawet dwukrotnie zwiększyć objętość podczas gotowania. Nie przepelniaj miski do przyrządzania potraw. Łączna ilość surowych nasion roślin strączkowych i wody nie powinna przekroczyć ryski 1/2 oznaczonej wewnątrz miski.

## Rice | Grains (Ryż | Produkty zbożowe)

- Program Rice | Grains (Ryż | Produkty zbożowe) w trybie szybkwaru jest zaprojektowany do gotowania ryżu i produktów zbożowych, aby były sypkie i miękkie. Jest odpowiedni dla wszystkich rodzajów ryżu, takich jak ryż długoziarnisty, jaśminowy, basmati lub brązowy.
- W przypadku przygotowywania ryżu brązowego w szybkwarze należy wydłużyć czas gotowania do 20 minut.
- Dokładnie odmierzaj lub waż suchy ryż i dobrze go wypłucz zimną wodą, aż woda będzie czysta. Odstaw do odsączenia i umieść w wymowanej misce.
- Dodaj odpowiednią ilość wody. Patrz tabela czasów gotowania dla ryżu / produktów zbożowych i nasion roślin strączkowych na stronie internetowej Sage, gdzie znajdziesz więcej informacji.
- Po ugotowaniu pozwól ryżowi odpocząć w misce przez 5 minut przed wymieszaniem i podaniem.
- Po ugotowaniu ryż podwaja lub potraja swoją objętość. Nie przepelniaj miski do przyrządzania potraw. Łączna ilość nieugotowanego ryżu i wody nie powinna przekroczyć znacznika  $\frac{1}{2}$  wewnątrz miski.

### Risotto

- Program Risotto w trybie szybkwaru jest idealny do przyrządzania kremowego risotto bez mieszania. Risotto będzie gotowe z mgnieniu oka.
- Użyj SAUTÉ/SEAR do krótkiego podsmażenia cebuli i przypraw, a także do zalania potrawy winem po raz pierwszy.
- Kluczem do uzyskania kremowego risotto jest uprażenie ryżu przed dodaniem płynu. Użyj funkcji SAUTÉ/SEAR do uprażenia ryżu, ciągle mieszając przez około 3-5 minut lub do momentu, gdy końce ziaren ryżu staną się półprzezroczyste, a następnie staną się białe.

- Ponieważ podczas gotowania w szybkwarze woda wyparowuje w niewielkim stopniu lub wcale, ważne jest, aby zachować proporcje składników: 1 część ryżu na 3 części bulionu. Jeśli dodasz do risotto większą ilość warzyw, należy zmniejszyć ilość bulionu o jedną trzecią.
- Po ugotowaniu ryż podwaja lub potraja swoją objętość. Nie przepelniaj miski do przyrządzania potraw. Łączna ilość nieugotowanego ryżu i bulionu nie powinna przekroczyć znacznika  $\frac{1}{2}$  wewnątrz miski.

## INNE ZDEFINIOWANE METODY PRZYRZĄDZANIA

### SAUTÉ/SEAR

Ta zdefiniowana metoda przyrządzania ma trzy poziomy: smażenie w niskiej temperaturze, smażenie w średniej temperaturze i szybkie smażenie (wysoka temperatura).

Poziom temperatury jest pokazywany na wskaźniku temperatury garnka, gdy potrawy są gotowane w trybie wolnowaru (*patrz strona 9 – litera M na ilustracji panelu sterowania*).

Metoda gotowania SAUTÉ jest idealna do przyrumieniania i karmelizowania czosnku, cebuli lub warzyw przed przygotowaniem ich w szybkwarze lub w trybie wolnowaru. Metoda gotowania SAUTÉ odpowiada poziomowi średniej i niskiej temperatury w urządzeniu.

Metoda SEAR została opracowana w celu wzmocnienia i pogłębienia smaku przygotowywanej potrawy poprzez uprzednie przyrumienienie i skarmelizowanie potrawy na tej samej patelni przed włączeniem szybkwaru lub trybu wolnowaru. Metoda przyrządzania SEAR odpowiada poziomowi wysokiej temperatury urządzenia.

### REDUCE (ZAGĘSZCZANIE)

Ta zdefiniowana metoda przyrządzania ma trzy poziomy: niska temperatura, średnia temperatura i wysoka temperatura.

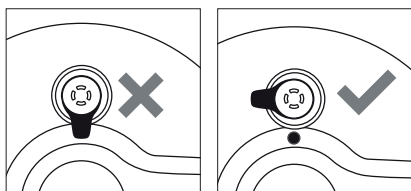
Poziom temperatury jest pokazywany na wskaźniku temperatury garnka, gdy potrawy są gotowane w trybie wolnowaru (patrz strona 9 – litera M na ilustracji panelu sterowania).

Metoda przyrządzania REDUCE (Zagęszczanie) jest doskonała do zagęszczania i intensyfikowania smaku sosów, syropów i wywarów.

### STEAM (PRZYRZĄDZANIE NA PARZE)

Metoda przyrządzania STEAM (przyrządzanie na parze) jest idealna do gotowania na parze warzyw, filetów rybnych i pierogów. W przypadku gotowania na parze dłużej niż 30 minut, zaleca się dodanie 250 ml ciepłej wody do miski po każdym 30 minutach gotowania, aby zapewnić równomierne wytwarzanie pary podczas całego procesu gotowania.

Aby zmniejszyć ilość skraplającej się wody na zewnętrznej powierzchni pokrywy i uchwytu, zalecamy przekręcenie zaworu upustowego ciśnienia do pozycji otwartej – patrz rysunek poniżej.



### SOUS VIDE

Metoda przyrządzania SOUS VIDE jest idealna do przygotowywania potraw w bardzo precyzyjnej temperaturze w kąpeli wodnej.

#### Co to jest przyrządzanie metodą Sous Vide?

Sous Vide to technika przyrządzania potraw, która pozwala na gotowanie produktów w kąpeli wodnej w określonej temperaturze. Kawałki przyrządzanych produktów umieszczane są w żaroodpornych, plastikowych torebkach bez BPA, które zanurzane są w wodzie i gotowane do pożądanej konsystencji bez ryzyka wyschnięcia potrawy.

#### Co jest potrzebne do przyrządzania potraw techniką Sous Vide?

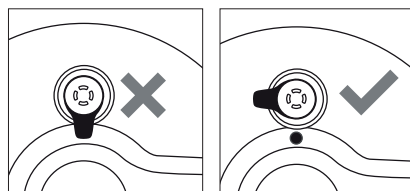
Mocne, odporne na wysoką temperaturę plastikowe torebki do żywności bez BPA. Jeżeli temperatura gotowania nie przekracza 70°C, odpowiednie są również worki zgrzewane.

#### Czy będę potrzebować folię do zgrzewarki próżniowej?

Nie, do przyrządzania metodą Sous Vide nie będziesz potrzebować folii do zgrzewarki próżniowej. Należy jednak odsączyć jak najwięcej powietrza z woreczka i zapobiec przedostawaniu się wody do woreczka, aby uzyskać dokładne wyniki przyrządzania. Jeśli chcesz użyć tylko ręcznego wypierania powietrza z woreczka, umieść produkty w zamkniętym woreczku z podwójnym zamknięciem strunowym, a następnie zanurz woreczek w pojemniku z wodą. Gdy większość powietrza wydostanie się z woreczka, ostrożnie uszczelnij go tuż nad poziomem wody.

#### Czy pokrywa powinna być otwarta czy zamknięta?

W przypadku przygotowywania potraw metodą Sous Vide zalecamy, aby pokrywa była zamknięta i znajdowała się w pozycji zablokowanej. Obróć zawór uwalniania ciśnienia do pozycji otwartej, aby zapewnić stałą temperaturę przyrządzania – patrz rysunek poniżej.



#### Kiedy będę obsmażać produkty?

Możesz obsmażyć produkty przed lub po przyrządzaniu Sous Vide, używając opcji SAUTÉ/SEAR. Jeśli będziesz obsmażać produkty przed przyrządzeniem Sous Vide, pozwól produktom odpocząć i schłodzić się wystarczająco przez noc w lodówce.

## Procedura przygotowania Sous Vide:

1. Napełnij miskę zimną wodą do znacznika maximum MAX. Aby skrócić czas przyrządania, zaleca się rozpocząć od temperatury wody zbliżonej do temperatury, w której chcesz przygotować potrawy metodą Sous Vide.
2. Wciśnij przycisk SOUS VIDE i ustaw odpowiednią temperaturę i czas przygotowania. Zamknij pokrywę i naciśnij przycisk włączania/anulowania, aby rozpocząć podgrzewanie wody.
3. Produkty, które mają zostać przygotowane, umieść w plastikowym woreczku do Sous Vide lub w zamykanej torebce. Jeśli nie posiadasz specjalnego woreczka Sous Vide, zalecamy używanie zamykanych woreczków z podwójnym zamknięciem. Dodaj przyprawy, takie jak liście laurowe, rozmaryn, plasterki cytryny lub skórkę z cytryny i olej według uznania.
4. Gdy woda osiągnie ustawioną temperaturę (rozlegnie się ostrzeżenie dźwiękowe), ostrożnie umieść woreczek w kąpielu wodnej. Jeśli woreczek utrzymuje się na powierzchni, umieść na nim mały przedmiot ze stali nierdzewnej (lub inny podobny przedmiot), aby go obciążyć i aby woreczek zanurzył się w wodzie.
5. Zamknij i zabezpiecz pokrywę, ale upewnij się, że zawór zwalniania ciśnienia jest w pozycji otwartej.
6. Po upływie czasu przyrządania wyjmij woreczek z kąpeli wodnej.

### Temperatura i czas przyrządania:

- Plastry wołowe (o grubości 2,5 cm) – średnio krwiste – 54°C, czas 1 godzina
- Plastry kurczaka (o grubości 2,5 cm) – miękkie – 65°C, czas 45 minut
- Filet z łososia (o grubości 2,5 cm) – średnio krwisty – 50°C, czas 40 minut
- Jajka – jajka w koszulce – 64°C, czas 40 minut

## YOGHURT (JOGURT)

### Jak używać programu do przyrządania jogurtu

#### Jogurt naturalny

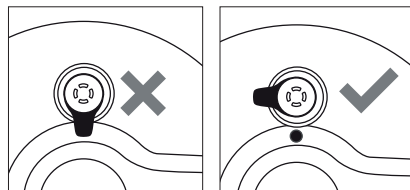
Czas przyrządania: 10 minut /  
Dojrzewanie: 8 godzin (plus 1,5 godziny chłodzenia)

1 l homogenizowanego mleka pełnotłustego

2 łyżki pełnotłustego jogurtu naturalnego z żywą kulturą bakterii

#### KROK 1 – Pasteryzacja mleka

Włóż miskę do przyrządania potraw do garnka the Fast Slow GO™. Wlej mleko. Zamknij i zabezpiecz pokrywę oraz przekręć zawór regulacji ciśnienia do pozycji otwartej – patrz rysunek poniżej.



Naciśnij przycisk JOGHURT, a następnie przycisk włączania/anulowania.

Rozpocznie się podgrzewanie mleka do temperatury 83°C i ta temperatura zostanie utrzymana przez 10 minut.

Proces pasteryzacji zabije szkodliwe bakterie, które mogą zepsuć mleko, jak również wyeliminuje potencjalnych konkurentów dla aktywnych kultur jogurtowych.

#### KROK 2 – Chłodzenie mleka

Otwórz pokrywę i nie naciskaj żadnych przycisków. Faza chłodzenia mleka automatycznie schładza mleko do temperatury 43°C. Proces ten zapewnia, że urządzenie osiąga temperaturę optymalną dla wzrostu kultur jogurtowych. Jeśli temperatura jest zbyt wysoka, kultury jogurtowe obumrą. Na wyświetlaczu pojawi się najpierw napis „COOL”. Na koniec okresu chłodzenia, po osiągnięciu właściwej temperatury, rozlegnie się ostrzeżenie dźwiękowe. Czas chłodzenia trwa do 1,5 godziny.



## WSKAZÓWKA

Jeśli pozostawisz otwartą pokrywę podczas chłodzenia, na powierzchni może powstać kożuch. Przed dodaniem kultur jogurtowych, usuń kożuch z powierzchni mleka, aby zapewnić gładszą konsystencję jogurtu.

### KROK 3 – Dojrzewanie jogurtu

Po zakończeniu kroku 2 na wyświetlaczu pojawi się napis „ADD”. Umieść kulturę jogurtową w małej miseczce. Dodaj 125 ml zimnego mleka i ubijaj, aż masa będzie gładka. Ciągłe mieszając, wlej mieszankę do ostudzonego mleka. Zamknij i zabezpiecz pokrywę. Naciśnij przycisk włączania/anulowania i pozwól jogurtowi dojrzewać przez 5-8 godzin. Im dłużej jogurt dojrzewa, tym będzie pikantniejszy.

### KROK 4 – Chłodzenie

Gdy rozlegnie się sygnał dźwiękowy, czas dojrzewania jogurtu dobiegł końca. Wyjmij miskę z garnka, przykryj folią spożywczą i wstaw do lodówki. Po całkowitym ostygnięciu jogurtu, przemieść go do szczelnego pojemnika i przechowuj w lodówce do 2 tygodni.



## RADY

- Jeśli użyjesz mleka homogenizowanego, otrzymany jogurt będzie delikatniejszy. Jeśli przygotowany jogurt zawiera wiele grudek i nie jest spójny, delikatnie ubijaj schłodzony jogurt, aż konsystencja będzie odpowiadała twoim upodobaniom.
- Aby skrócić czas chłodzenia mleka, umieść miskę w większym pojemniku z zimną wodą i sprawdzaj temperaturę termometrem spożywczym. Gdy mleko osiągnie temperaturę 43°C, do jogurtu z żywymi kulturami dodaj 125 ml zimnego mleka, ubijaj do uzyskania jednolitej konsystencji, a następnie wlej do mleka. Wytrzyj dno miski i umieść ją z powrotem w garnku.
- Aby jogurt był bardziej pikantny, należy przedłużyć czas dojrzewania.

## FUNKCJA UTRZYMYWANIA W CIEPLE

Funkcja utrzymywania w cieple utrzymuje potrawę w bezpiecznej temperaturze podawania 60°C lub wyższej przez 6 godzin, zawsze po zakończeniu czasu gotowania. W przypadku oddzielnego korzystania z funkcji utrzymywania w cieple, czas ten można wydłużyć do 24 godzin.

- Aby oddzielnie korzystać z funkcji utrzymania w cieple, zamknij pokrywę oraz naciśnij i przytrzymaj przycisk KEEP WARM na panelu sterowania.
- Funkcję utrzymywania w cieple można włączać i wyłączać zarówno w szybkowarze, jak i w trybie wolnowaru, naciskając przycisk KEEP WARM na panelu sterowania. Zapali się lampka kontrolna KEEP WARM a na wyświetlaczu zacznie być odliczany czas do maksymalnie 6 godzin po zakończeniu przyrządzania.



## UWAGA

Zalecamy korzystanie z funkcji utrzymywania ciepła przez maksymalnie 1-2 godziny, aby nie pogorszyć jakości potraw.

## OPÓŹNIONY START

Garnek Fast Slow GO™ wyposażony jest w funkcję timera, która pozwala opóźnić uruchomienie urządzenia nawet o 24 godziny. Opcja ta nie jest dostępna dla funkcji utrzymywania ciepła i przyrządzania na parze.

Funkcja opóźnionego startu nie jest dostępna w przypadku gotowania w programie MEAT (Mięso).



## UWAGA

Nigdy nie pozwól, aby mięso, drób, owoce morza, jaja lub inna żywność, która wymaga chłodzenia, pozostawały w temperaturze pokojowej dłużej niż dwie godziny. Bakterie namnażają się szybko w temperaturze pokojowej w zakresie od 4°C do 60°C.



Poniższe kroki pokazują, jak zaprogramować funkcję opóźnionego startu:

- Ustaw czas i temperaturę/ciśnienie przyrządzenia według potrzeby.
- Naciśnij przycisk DELAY START, aby aktywować funkcję opóźnionego startu.
- Na wyświetlaczu pojawi się czas opóźnionego startu w godzinach i minutach.
- Użyj przycisków regulacji czasu przyrządzenia (+/-), aby ustawić czas opóźnionego startu w 15-minutowych odstępach do 24 godzin.
- Każde ponowne naciśnięcie przycisku DELAY START podczas konfiguracji spowoduje anulowanie procesu konfiguracji opóźnionego startu.
- Naciśnij przycisk włączania/anulowania, aby aktywować ustawienia z danym czasem opóźnionego startu.
- Na wyświetlaczu rozpocznie się odliczanie ustawionego czasu. Kontrolka PREHEAT nie będzie świecić w trybie opóźnionego startu.

## USTAWIENIE WYSOKOŚCI NAD POZIOMEM MORZA

Ciśnienie powstaje i rośnie, gdy temperatura wewnątrz garnka przekracza temperaturę wrzenia. Ze wzrostem wysokości nad poziomem morza temperatura wrzenia spada, co jest efektem obniżonego ciśnienia powietrza. Stwarza to jednak odmienne warunki do przyrządzenia produktów spożywczych w garnku ciśnieniowym.

Aby zachować stałe wyniki przyrządzenia potraw na różnych wysokościach nad poziomem morza, garnek ciśnieniowy the Fast Slow GO™ wyposażony jest w opcję regulacji wysokości nad poziomem morza, ustawianej w zależności od jego aktualnej lokalizacji.

1. Wciśnij i przytrzymaj jednocześnie przyciski DELAY START i KEEP WARM przez 2 sekundy.

2. Użyj przycisków regulacji czasu przyrządzenia (+/-) lub przycisków regulacji ciśnienia/temperatury (+/-), aby dostosować wysokość nad poziomem morza.
3. Wyświetlacz będzie w odstępach 1 sekundy na przemian pokazywał „Alt” (wysokość nad poziomem morza) i liczbę.
4. Naciśnij przycisk włączania/anulowania, aby potwierdzić ustawienia, po czym rozlegnie się alarm dźwiękowy.
5. Wysokość nad poziomem morza dla garnka parowego została ustawiona. Naciśnięcie dowolnego przycisku lub bezczynność przez czas spowoduje zapisanie wprowadzonych ustawień. Aby przywrócić ustawienia fabryczne wysokości nad poziomem morza, ustaw wysokość na 0 metrów.



### UWAGA

Dokładną wysokość nad poziomem morza możesz sprawdzić na [www.elevationmap.net](http://www.elevationmap.net) lub zwróć się do serwisu klienta marki Sage.

## USTAWIENIE JEDNOSTEK TEMPERATURY

Domyślną jednostką temperatury jest stopień Celsjusza (°C). Aby zmienić jednostkę temperatury z metrycznej na imperialną, naciśnij i przytrzymaj jednocześnie przyciski regulacji ciśnienia/temperatury (+/-) przez 5 sekund, a na wyświetlaczu pojawi się F jak Fahrenheit. Naciśnij i przytrzymaj jednocześnie przyciski regulacji ciśnienia/temperatury (+/-) przez 5 sekund, aby powrócić do stopni Celsjusza, a na wyświetlaczu pojawi się C.



## Konserwacja i czyszczenie

Przed czyszczeniem upewnij się, że garnek jest wyłączony. Wyjmij wtyczkę przewodu zasilania z gniazdka sieciowego, a końcówkę przewodu zasilania z korpusu garnka. Przed demontażem i czyszczeniem odstaw garnek i wszystkie akcesoria do ostudzenia.

Umyj wyjmowaną miskę do przyrządzenia potraw w ciepłej wodzie z odrobiną środka do mycia naczyń przy pomocy czystej, miękkiej ściereczki lub gąbki. Opłucz w czystej wodzie i wytrzyj do sucha.

Jeśli podczas użytkowania tworzy się kamień wodny, zmieszaj w misce 2 łyżki stołowe białego octu i 250 ml ciepłej wody. Wybierz metodę przyrządzenia na parze i włącz ją na 10 minut. Pozostaw do ostygnięcia, a następnie wyczyść szczotką kuchenną.



### UWAGA

Wyjmowana miska do przyrządzenia potraw nadaje się do mycia w zmywarce, ale zaleca się mycie jej w ciepłej wodzie z dodatkiem płynu do mycia naczyń. Opłucz i dokładnie wysusz.



### OSTRZEŻENIE

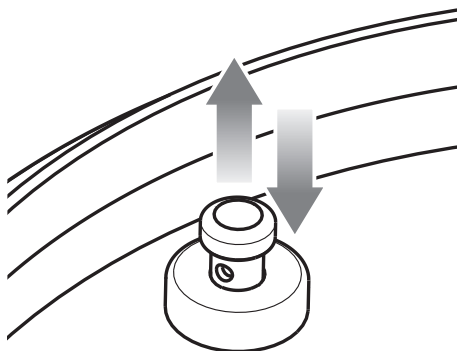
- Nie używaj ostrych detergentów, metalowych lub plastikowych druciaków do czyszczenia powierzchni zewnętrznej i wewnętrznych elementów urządzenia.
- Nie zanurzaj korpusu urządzenia i przewodu zasilającego w wodzie lub innych cieczach. Mogłoby dojść do porażenia prądem elektrycznym.
- Przed użyciem upewnij się, że wyjmowana miska jest prawidłowo założona w garnku.

### ROZŁOŻENIE POKRYWY:

- Ostrożnie wyciągnij uszczelkę silikonową spod uchwytu uszczelki. Okresowo sprawdzaj, czy jest czysta, elastyczna

i czy nie jest pęknięta lub rozerwana. Jeżeli jest w jakikolwiek sposób uszkodzona, nie używaj urządzenia.

- Umyj wewnętrzną stronę pokrywy zwilżoną miękką gąbką lub ściereczką. W razie potrzeby użyj miękkiej szczoteczki, aby usunąć olej lub inne zabrudzenia. Wytrzyj do sucha miękką, czystą ściereczką.
- Regularnie sprawdzaj pokrywę zaworu regulacji ciśnienia, aby upewnić się, że jest czysta i nie jest zanieczyszczona cieczą/żywnością. Zdejmij pokrywę zaworu regulacji ciśnienia z pokrywy i przetrzyj ją zwilżoną miękką ściereczką. Dokładnie opłucz, wytrzyj do sucha i włóż z powrotem na miejsce.
- Zawór regulacji ciśnienia należy regularnie sprawdzać i czyścić, aby zapobiec zatkaniu, które mogłoby doprowadzić do zablokowania zaworu bezpieczeństwa. Umyj i usuń wszelkie pozostałości oleju lub żywności. Upewnij się, że swobodnie porusza się w górę i w dół po wyczyszczeniu.



### SILIKONOWA USZCZELKA:

- Uszczelkę silikonową wymieniaj co 1-2 lata (skontaktuj się z najbliższym autoryzowanym centrum serwisowym Sage).
- Umyj uszczelkę w ciepłej wodzie z płynem do mycia naczyń. Opłucz czystą wodą, wytrzyj do sucha i włóż z powrotem na miejsce.

- Silikonową uszczelkę możesz myć w górnym koszu zmywarki, aby wyeliminować nieprzyjemne zapachy z przypraw.
- Zanurz silikonową uszczelkę w wodzie z sodą oczyszczoną, aby pomóc wyeliminować nieprzyjemne zapachy, a następnie wyczyść ją.



## OSTRZEŻENIE

Jeśli uszczelka silikonowa nie jest prawidłowo umieszczona w uchwycie, pokrywa nie będzie prawidłowo uszczelniona. Może to spowodować nieprawidłowe działanie urządzenia i wydostanie się pary lub gorącej wody, co może spowodować poparzenia.



## WSKAZÓWKA

Aby usunąć nieprzyjemne zapachy żywności, wymieszaj w misce 125 ml soku z cytryny, 1 łyżkę skórki cytryny i 500 ml gorącej wody. Całość gotuj pod wysokim ciśnieniem przez 5 minut.

## PRZECHOWYWANIE:

- Upewnij się, że garnek jest wyłączony. Garnek jest wyłączony, jeśli wszystkie kontrolki świetlne na panelu sterowania i wyświetlacz zgasły.
- Odtłącz wtyczkę przewodu zasilającego z gniazdka sieciowego. Przed demontażem i czyszczeniem odstaw garnek i wszystkie akcesoria do ostudzenia.
- Upewnij się, że garnek i akcesoria są czyste i suche.
- Upewnij się, że miska znajduje się w garnku.
- Upewnij się, że pokrywa jest prawidłowo zamknięta i zablokowana.
- Postaw garnek w pozycji poziomej, powinien stać równo na nóżkach. Nie kładź żadnych przedmiotów na jego górnej części.



## Rozwiązywanie problemów

<b>PROBLEM</b>	<b>SZYBKIE ROZWIĄZANIE</b>
<b>Po zakończeniu przyrządzenia nie można otworzyć pokrywki.</b>	<ul style="list-style-type: none"><li>• Wciśnij i przytrzymaj przycisk RELEASE, aby upuścić ciśnienie wewnątrz garnka. Następnie będzie można otworzyć pokrywkę.</li><li>• Jeśli problem powtarza się częściej, będzie trzeba ustawić właściwą wysokość nad poziomem morza. Przestrzegaj wskazówek w części instrukcji „Ustawienia wysokości nad poziomem morza”.</li></ul>
<b>Kontrolka świetlna LID mruga i słychać sygnał dźwiękowy.</b>	<ul style="list-style-type: none"><li>• Obróć pokrywkę na właściwą pozycję do przyrządzenia w szybkowarze lub wolnowarze.</li></ul>
<b>Para uchodzi spod pokrywki LUB Bezpiecznik wyłącznika nie wysunął się LUB W garnku nie powstaje ciśnienie LUB Nie włączyło się odliczanie. LUB Na wyświetlaczu wyświetla się „SEAL”.</b>	<ul style="list-style-type: none"><li>• Załóż pokrywkę prawidłowo. Upewnij się, że między ramieniem a pokrywką nie ma żadnej luki. Nakrętka uszczelki musi być mocno przykręcona.</li><li>• Upewnij się, że silikonowa uszczelka jest czysta, prawidłowo założona, i że nie jest uszkodzona lub pęknięta.</li><li>• Upewnij się, że bezpiecznik porusza się luźno w górę i w dół.</li><li>• Gdy pokrywka jest zamknięta, upewnij się, że bezpiecznik jest prawidłowo założony w otworze pokrywki.</li><li>• Upewnij się, że zawór regulacji ciśnienia jest prawidłowo założony i skierowany w stronę uchwytu pokrywki.</li><li>• Dodaj więcej płynu/produktów do miski. W misce powinien być minimalnie 1 l płynów i produktów.</li><li>• Jeśli problem się powtarza, skontaktuj się z autoryzowanym serwisem Sage.</li></ul>
<b>Garenek automatycznie przełącza się na tryb zachowanie w ciepłe, nie kończąc cyklu.</b>	<ul style="list-style-type: none"><li>• Dodaj więcej wody do miski i zrestartuj program.</li></ul>
<b>Na blacie zbiera się woda.</b>	<ul style="list-style-type: none"><li>• Upewnij się, że garnek jest umieszczony na równej powierzchni, i że naczynie na skondensowaną wodę jest prawidłowo założone. Postępuj zgodnie z instrukcją w części „Przed pierwszym użyciem the Fast Slow GO™” na stronie 12.</li><li>• Opróżnij naczynie na skondensowaną wodę.</li></ul>
<b>Na wyświetlaczu pojawia się komunikat „Err”.</b>	<ul style="list-style-type: none"><li>• Komunikat o błędzie „Err” na wyświetlaczu oznacza problem, którego nie można rozwiązać poprzez zresetowanie urządzenia. Jeśli się pojawi, niezwłocznie wyjmij wtyczkę kabla zasilającego z gniazdka i skontaktuj się z centrum obsługi klienta marki Sage.</li></ul>
<b>Przywrócenie ustawień fabrycznych</b>	<ul style="list-style-type: none"><li>• Wciśnij i przytrzymaj przyciski SOUP i SOUS VIDE na trzy sekundy, aby przywrócić ustawienia fabryczne włącznie z ustawieniem wysokości nad poziomem morza.</li></ul>



## Gwarancja

### OGRANICZONA GWARANCJA NA LATA

Firma Sage Appliances obejmuje niniejszy produkt gwarancją na wady produkcyjne i materiałowe pod warunkiem korzystania z niego w warunkach domowych. Gwarancja obowiązuje w ciągu dwóch lat od zakupu i w określonych regionach. W czasie okresu gwarancji firma Sage Appliances naprawi lub wymieni wadliwe produkty lub zwróci ich koszt (decyzja należy wyłącznie do firmy Sage Appliances).

Będą przestrzegane wszelkie prawa dotyczące gwarancji zawarte w prawodawstwie danego kraju, a niniejsza gwarancja nie ma na nie wpływu. Pełne warunki gwarancji oraz instrukcje dotyczące składania reklamacji można znaleźć w witrynie [www.sageappliances.com](http://www.sageappliances.com).



**Uwaga**



## Uwaga

GBR

BRG Appliances Limited  
Unit 3.2, Power Road Studios,  
114 Power Road, London, W4 5PY  
Freephone (UK Landline): 0808 178 1650  
Mobile Calls (National Rate): 0333 0142 970

DEU

AUT

Sage Appliances GmbH  
Campus Fichtenhain 48, 47807 Krefeld,  
Deutschland  
Deutschland: 0800 505 3104  
Österreich: 0800 80 2551

FRA

Sage Appliances France SAS  
Siège social: 66 avenue des Champs  
Elysées – 75008 Paris  
879 449 866 RCS Paris  
France: 0800 903 235

IRE

Ireland  
1800 932 369

NLD

Netherlands  
0800 020 1741

ITA

Italy  
800 909 773

ESP

Spain  
900 838 534

PTG

Portugal  
0800 180 243

POL

Poland  
00800 121 8713

BEL

Belgium  
0800 54 155

CHE

Switzerland  
0800 009 933

LUX

Luxembourg  
800 880 72

DNK

Denmark  
80 820 827

SWE

Sweden  
0200 123 797

FIN

Finland  
0800 412 143

NOR

Norway  
80 024 976

# Sage®

[www.sageappliances.com](http://www.sageappliances.com)

Registered in England & Wales No. 8223512

Registered in Germany No. HRB 81309 (AG Düsseldorf)

Registered in France No. 879 449 866 RCS

EN Due to continued product improvement, the products illustrated or photographed in this document may vary slightly from the actual product.

DE Aufgrund unserer kontinuierlichen Produktverbesserungen kann die hier gezeigte Abbildung geringfügig vom tatsächlichen Produkt abweichen.

FR En raison de leur amélioration continue, les produits représentés ou photographiés dans le présent document peuvent différer légèrement du produit réel.

NL Vanwege voortdurende productverbeteringen, kunnen de afgebeelde producten in dit document licht afwijken van het eigenlijke product.

IT A causa del continuo miglioramento dei prodotti, il prodotto descritto o illustrato in questo documento può variare leggermente rispetto al prodotto reale.

ES Perfeccionamos nuestros productos continuamente, por lo que el artículo podría diferir ligeramente de la ilustración o la fotografía en este documento.

PT Devido à melhoria contínua dos produtos, os produtos ilustrados ou fotografados neste documento podem variar ligeiramente do produto real.

PL Ze względu na stale przeprowadzane ulepszenia, produkty przedstawione na ilustracjach lub zdjęciach w tym dokumencie mogą różnić się od używanego produktu.

DA På grund af løbende produktudvikling kan de illustrerede eller fotograferede produkter i dette dokument variere en smule fra det faktiske produkt.

SV På grund av kontinuerlig produktförbättring kan produkterna som visas i illustrationerna och fotografierna i detta dokument skilja sig något från den faktiska produkten.

FI Jatkuvan tuotekehittelyn seurauksena kuvituksen tuotteet eivät välttämättä ole täysin samanlaisia kuin varsinainen tuote.

NO På grunn av kontinuerlig produktutvikling kan produktene som er vist eller avfotografert i dette dokumentet, variere noe fra det faktiske produktet.

Copyright BRG Appliances 2023

BPR680/SPR680 UG8 – E23