

# *the Boss To Go™ Plus*

BPB620/SPB620



EN USER GUIDE

DE HANDBUCH

FR GUIDE UTILISATEUR

NL HANDLEIDING

IT MANUALE UTENTE

ES GUÍA DEL USUARIO

PT MANUAL DO UTILIZADOR

PL INSTRUKCJA OBSŁUGI

# Sage®



## Contents

- 2 Important Safeguards
- 6 Components
- 8 Assembly
- 9 Functions
- 10 Care & Cleaning
- 11 Troubleshooting
- 12 Guarantee

## **SAGE® RECOMMENDS SAFETY FIRST**

**At Sage® we are very safety conscious. We design and manufacture consumer products with the safety of you, our valued customer, foremost in mind. In addition we ask that you exercise a degree of care when using any electrical appliance and adhere to the following precautions.**

## **IMPORTANT SAFEGUARDS**

**READ ALL INSTRUCTIONS  
BEFORE USE AND SAVE  
FOR FUTURE REFERENCE**

- A downloadable version of this document is also available at [sageappliances.com](http://sageappliances.com)

- Before using the first time ensure your electricity supply is the same as shown on the label on the underside of the appliance.
- Remove and safely discard any packaging materials before first use.
- To eliminate a choking hazard for young children, safely discard the protective cover fitted to the power plug.
- This appliance is for household use only. Do not use the appliance for anything other than its intended use. Do not use in moving vehicles or boats. Do not use outdoors. Misuse may cause injury.
- Fully unwind the power cord before operating.
- Position the appliance on a stable, heat resistant, level, dry surface away from the edge and do not operate on or near a heat source such as a hot plate, oven or gas hob.

**Opening a pressurised tumbler may lead to ingredients splattering, or may cause burning/scalding if the contents are hot.**

**To minimise the risk of this happening, always follow the instructions below:**

- Never blend hot or warm ingredients. Stop the blending process if contents become hot due to blending.

- Never blend any ingredients for more than 1 minute. Blending for more than 1 minute may cause the ingredients to become hot and steam may cause the tumbler to become pressurised.
- Never attempt to unscrew the blade from the base of the tumbler when the tumbler becomes pressurised due to steam build-up. Allow tumbler to cool to room temperature before carefully unscrewing the blade.
- Never blend carbonated liquid, detergent, or any ingredient that could expand or generate a gas.
- Never fill the tumbler beyond the tumbler's indicated maximum capacity.
- If leakage occurs during blending, immediately stop blending and unplug the unit from the power point. Check to ensure that the tumbler is not filled past the maximum level and that there is no damage to the seal or to the tumbler. Clean up the leakage with a dry towel and screw the tumbler firmly to the blending mechanism before resuming blending.
- Vibration during operation may cause the appliance to move.
- Do not let the power cord hang over the edge of a bench or table, touch hot surfaces or become knotted.
- Always ensure the appliance is turned OFF, unplugged at the power outlet and has been allowed to cool before cleaning, attempting to move or storing.
- Always turn the appliance to the off position, switch off at the power outlet and unplug at the power outlet when the appliance is not in use.
- Do not use the appliance if the power cord, plug, or appliance becomes damaged in any way. If damaged or maintenance other than cleaning is required, please contact Sage Customer Service or go to [sageappliances.com](http://sageappliances.com)
- Any maintenance other than cleaning should be performed by an authorised Sage® service centre
- Children should not play with the appliance.
- Cleaning of the appliance should not be carried out by children unless they are 8 years or older and supervised.
- The appliance and its cord should be kept out of reach of children aged 8 years and younger.
- The installation of a residual current safety switch is recommended to provide additional safety when using all electrical appliances.

Safety switches with a rated operating current not more than 30mA are recommended. Consult an electrician for professional advice.

- Always ensure the appliance is properly assembled before use. The appliance will not operate unless properly assembled.
- Do not use the appliance on a sink drain board.
- Keep hands, fingers, hair, clothing as well as spatulas and other utensils away from moving or rotating parts during operation.
- Do not use the appliance for anything other than food and/or beverage preparation.
- In order to avoid the possible hazard of the appliance starting by itself due to inadvertent resetting of the overload protection, do not attach an external switching device (such as a timer) or connect the appliance to a circuit that can regularly switch the appliance on and off.
- Carefully read all instructions before operation and save for future reference.
- The appliance can be used by persons with reduced physical or mental capabilities or a lack of experience and knowledge, only if they have been given supervision or instruction

concerning use of the appliance in a safe way and understand the hazards involved.

- This appliance shall not be used by children.
- Do not leave the appliance unattended when in use.
- Allow the motor to rest for 1 minute between each use.
- Do not place any part of the appliance in the microwave oven.
- Be careful when handling and cleaning blades, as they are very sharp. Mishandling of the blades may cause injury.
- Avoid putting the cup or jug on the motor base while the motor is still spinning.
- Do not operate without any ingredients in the cup or jug.
- Never attempt to operate with damaged blades, or with utensils, or any foreign objects inside the cup or jug.
- Do not put the cup or jug in extremes of heat or cold, for example placing a cold jug into hot water, or vice versa.
- Blades must be firmly secured to cup before operation to ensure internal contents do not escape or spray.
- Never attempt to operate or place the blade assembly onto the motor base without the cup in place.

- Do not fill the cup past the MAX level marking as this will cause the motor to strain under heavy load and may cause potential leakage. It will also reduce blending performance. Note that some mixtures increase in volume when blending.
- A heavy load is defined as per the appliance safety standard specified load (the large cup filled to the maximum indicated level with a mixture comprising 2 parts by mass of soaked diced carrots and 3 parts water). Any load equivalent to this or heavier should not be operated for more than 10 seconds at a time. Note that none of the recipes supplied with this product are considered heavier than this load.
- The milling/grinding attachment is for use with dry ingredients only.
- Hard ingredients such as cassia bark, star anise, whole clove and dry corn kernels should not be blended as they may damage the blades.



The symbol shown indicates that this appliance should not be disposed of in normal household waste.

It should be taken to a local authority waste collection centre designated for this purpose or to a dealer providing this service. For more information, please contact your local council office.

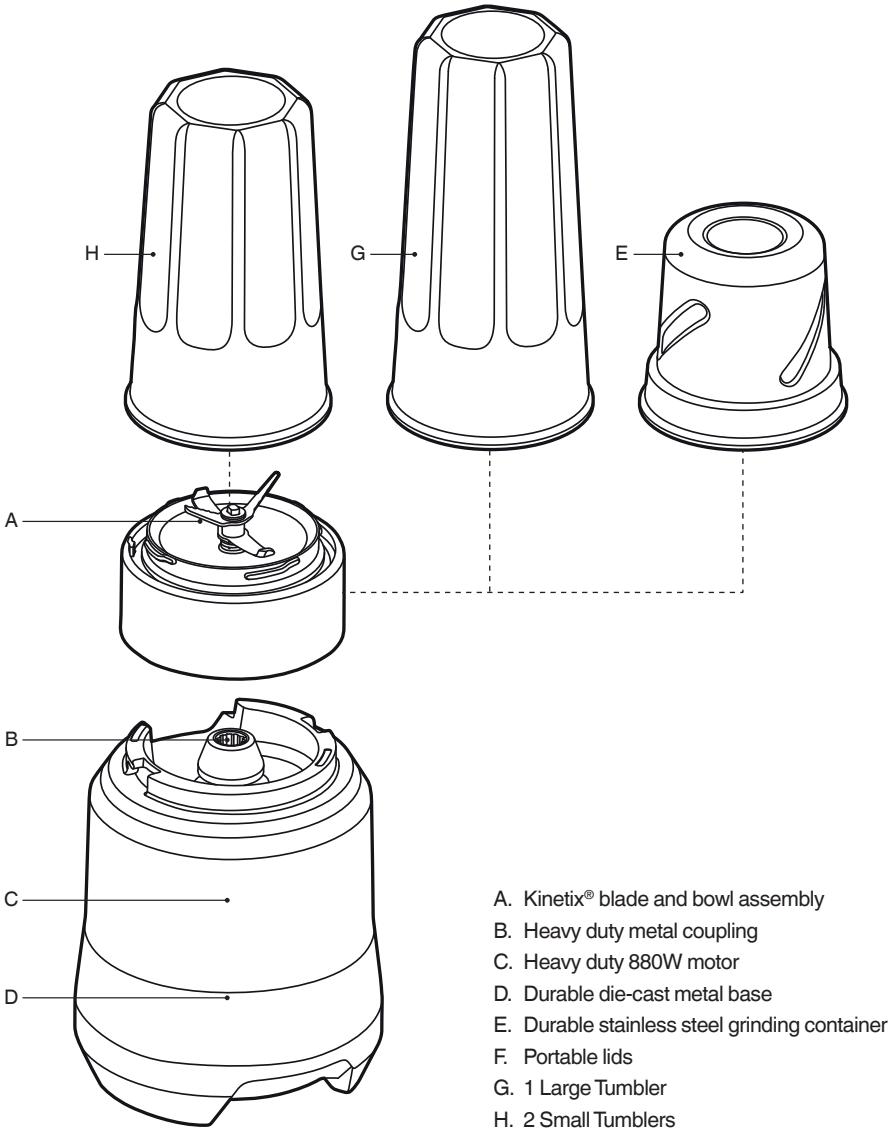


To protect against electric shock, do not immerse the power plug, cord or appliance in water or any liquid.

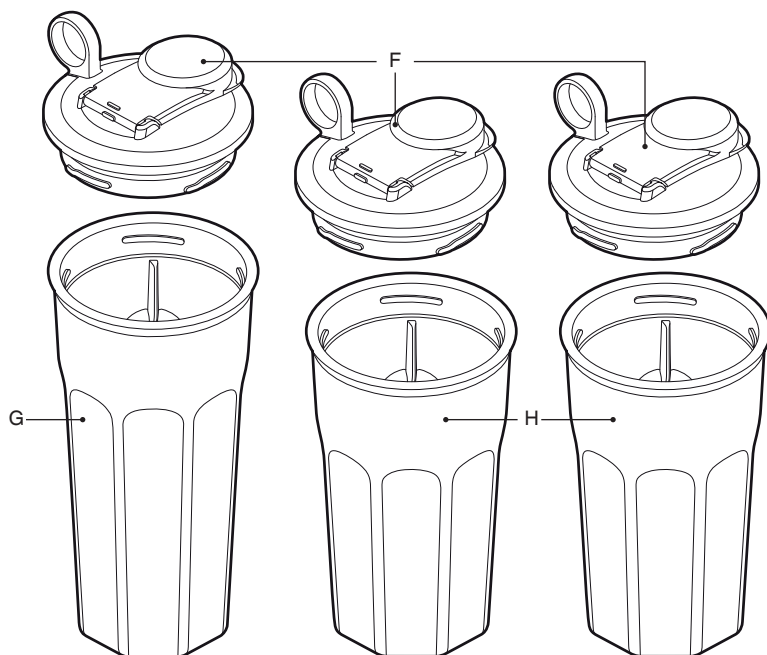
## SAVE THESE INSTRUCTIONS



# Components



**Rating Information**  
220-240V ~ 50-60Hz 880W



## EASTMAN TRITAN™ COPOLYESTER

- The tumbler cups are made with Eastman Tritan™ copolyester, which is a tough, BPA-free polymer used to make housewares products that can stand up to extreme use and repeated dishwasher cleaning. Products made from Tritan™ are impact resistant and shatter resistant and stay clear and durable even after hundreds of cycles in the dishwasher.



# Assembly

## BEFORE FIRST USE

- Before using your blender for the first time, remove any packaging material and promotional labels.
- Be careful when handling the blades as they are extremely sharp.
- Wash the tumblers, lids, blade assembly and attachments in warm soapy water with a soft cloth. Rinse and dry thoroughly. All parts (except motor base) may be washed in the dishwasher, on the top shelf.
- When first using your blender, you may notice an odour coming from the motor. This is normal and will dissipate with use.

## ASSEMBLY

1. Remove blades and position the cup with opening facing up.
2. Add ingredients avoiding filling past the MAX line.
3. Fix the blade assembly in place with a quarter turn in the clockwise direction. Ensure the blade assembly collar is securely in place before inverting the cup to blend.





## Functions

### OPERATION

- The blender will only work when the blades and cup are correctly assembled. This engages the safety interlock, and allows the motor to run.
- When the cup and blade assembly is correctly assembled with ingredients inside, invert cup, and place onto the motor base using the alignment graphics.
- To blend, securely hold the cup assembly and twist clockwise on the base to the ON position.
- When the desired consistency is reached, turn tumbler anti-clockwise to release and disengage the motor.
- Do not blend continuously for more than 60 seconds at a time. Allow the motor to rest for 2 minutes before continuing.
- Do not mill / grind continuously for more than 30 seconds at a time. Allow the motor to rest and the metal grinding attachment to cool for 30 seconds before continuing.
- Ingredients can be pulsed by rotating the cup within the bayonet positions, which will turn the motor on and off.
- When finished blending, wait a few seconds for the blades to stop spinning before lifting the cup assembly off the motor base.
- Invert the cup and allow the ingredients to run off the blades for a few seconds before unscrewing blades. Hold by the blade collar, and turn anti-clockwise to remove.
- For safety, turn the motor base off at the wall and unplug when finished blending.
- The grinding attachment works in a similar way to the tumblers. Attach the blades in the same way, and use either a pulsing action or continuous blending, as described above.
- The surface of the stainless steel grinding cup may become too hot to touch if grinding for longer than 30 seconds. Detach from base by holding the plastic collar.

### OVERLOAD PROTECTION SYSTEM

- The blender is equipped with an internal self resetting overload protector to protect the motor from damage under heavy or continuous loads. If the blender suddenly stops during use, this protector may have tripped.
- Remove the cup, unplug and leave it to cool for at least 30 minutes. Do not replace the cup assembly while cooling as the protector may reset causing it to start unexpectedly.
- Tripping the protector indicates that the extractor is being loaded too heavily, or with excessive continuous use. Reduce the amount of ingredients used or allow more time in between blending to prevent it from happening again, which will help preserve the life of the motor.
- The MAX line is usually a good indicator to prevent overly heavy loading, however some especially dense combinations of ingredients may still strain the motor. If the motor seems to be straining or running slowly, only operate for 10 seconds at a time, or reduce the amount of ingredients used. Adding more liquid can also help to loosen dense mixtures.



## Care & Cleaning

Unplug the power cord from the power outlet after use for safety reasons.

### Tumbler cups and lids

To keep your cups and lids clean, avoid allowing food residue to dry on them. Follow these steps as soon as possible after use:

- Rinse most of the residue off the blades, cup and lid.
- Hand wash in warm, soapy water using a mild liquid detergent and non-abrasive sponge.

### Motor base

To clean the motor base, wipe with a soft, damp cloth then dry thoroughly. Wipe any excess food particles from the power cord.

### Cleaning agents

Do not use abrasive scouring pads or cleansers on either the motor base or the cups, as they may scratch the surface. Use only warm soap water with a soft cloth.

### Pressurisation

The cups may be rinsed by adding cold water, attaching blades, and either blending or shaking by hand for 10 seconds.

**IMPORTANT:** There is a risk of pressurisation from hot water and / or detergent.

When rinsing by attaching blades and blending / shaking, never add hot or even warm water, as the steam produced can create dangerous pressurisation.

Do not add detergent, as the foam produced will expand and may cause pressurisation.

### Dishwasher

The cups, lids and blade assembly may be washed in the dishwasher on the top shelf only.

### Stubborn food stains and odours

Strong smelling foods such as cumin and coriander, and some vegetables such as carrots may leave an odour or stain the blades, cup or lid.

To remove, pour warm soapy water and fill to the MAX mark. Set aside to soak for 5 minutes. Then wash with a mild detergent and warm water, rinse well and dry thoroughly. Store cups with lids off.

### Citrus

Exposure to citrus oil may affect the clarity and longevity of the Tritan cups. After washing in detergent, rinse with plain water thoroughly, and allow to dry immediately. Do not soak if citrus has been blended.

### Storage

Store upright with the cups and blades assembled and resting on the motor base, or beside it. Do not store with the cup turned to the ON position, as this means the motor is engaged and will turn on immediately when plugged in or switched on at the wall.



## Troubleshooting

---

**Motor doesn't start or blade doesn't rotate**

- Check that the power plug is properly inserted into the power outlet.
- Overload Protection System may have operated (see below).

---

**Blender stopped suddenly while in use**

- This extractor has overload protection to prevent damage to the motor, which may have operated. Unplug, remove the cup and allow the motor to cool down for 30 minutes. Once cooled, you will be able to use as usual again.
- We recommend blending in smaller batches, or cutting ingredients into smaller pieces. See Overload Protection System section for detailed information.

---

**Food is lumpy or unevenly blended**

- This can happen when too much food is being blended at one time. Try a smaller amount, and work in batches if necessary.
- The ingredients may be too large. Try cutting into smaller pieces. For best results, ingredients should be in pieces no larger than 2cm.

---

**Food sticks to blade and cup**

- The mixture may be too thick. Try adding more liquid and / or pulsing the blender.
-



## Guarantee

### **2 YEAR LIMITED GUARANTEE**

Sage Appliances guarantees this product for domestic use in specified territories for 2 years from the date of purchase against defects caused by faulty workmanship and materials. During this guarantee period Sage Appliances will repair, replace, or refund any defective product (at the sole discretion of Sage Appliances).

All legal warranty rights under applicable national legislation will be respected and will not be impaired by our guarantee. For full terms and conditions on the guarantee, as well as instructions on how to make a claim, please visit [www.sageappliances.com](http://www.sageappliances.com).

*the Boss To Go™ Plus*



DE HANDBUCH

**Sage®**



## Inhalte

- 2 Wichtige Vorsichtsmassnahmen
- 6 Bestandteile
- 8 Montage
- 9 Funktionen
- 10 Pflege & Reinigung
- 11 Fehlerbehebung
- 12 Garantie

## **SAGE® EMPFIEHLT: SICHERHEIT GEHT VOR**

**Wir bei Sage® sind sehr sicherheitsbewusst. Beim Design und bei der Herstellung unserer Geräte denken wir zu allererst an Ihre Sicherheit. Darüber hinaus bitten wir Sie, bei der Verwendung jedes Elektrogeräts angemessene Sorgfalt anzuwenden und sich an die folgenden Vorsichtsmaßnahmen zu halten.**

## **WICHTIGE VORSICHTSMASS- NAHMEN**

**BITTE ALLE ANWEISUNGEN  
VOR DEM GEBRAUCH  
LESEN UND ZUR  
SPÄTEREN BEZUGNAHME  
AUFBEWAHREN.**

- Dieses Informationsbuch steht zum Download unter [www.sageappliances.com](http://www.sageappliances.com) zur Verfügung.

- Vor dem ersten Gebrauch prüfen, dass Ihre Netzspannung mit der auf dem Etikett an der Unterseite des Geräts übereinstimmt.
- Vor dem ersten Gebrauch alle Verpackungsmaterialien abnehmen und sicher entsorgen.
- Schutzhülle am Netzstecker sicher entsorgen, da sie für Kleinkinder eine Erstickungsgefahr darstellen könnte.
- Dieses Gerät ist nur für den Haushaltsgebrauch bestimmt. Gerät nur bestimmungsgemäß verwenden. Nicht in fahrenden Fahrzeugen oder Booten verwenden. Nicht im Freien verwenden. Missbrauch kann Verletzungen nach sich ziehen.
- Netzkabel vor dem Gebrauch vollständig entrollen.

**Wenn Sie den unter Druck stehenden Behälter öffnen, können Zutaten herauspritzen oder Verbrennungen verursachen, wenn der Inhalt heiß ist.**

**Um dieses Risiko zu minimieren, folgen Sie bitte den Anweisungen weiter unten:**

- Mixen Sie niemals heiße oder warme Zutaten. Beenden Sie den Mixvorgang, wenn der Inhalt auf Grund des Mixens zu heiß wird.

- Mixen Sie die Zutaten nie länger als für eine Minute. Wenn Sie die Zutaten länger bearbeiten, können diese erhitzt und der Behälter kann unter Druck geraten.
- Versuchen Sie niemals den Klingenaufsatz vom Mixbehälter zu lösen, wenn der Behälter auf Grund des Dampfes unter Druck steht. Lassen Sie den Mixbehälter erst einmal abkühlen.
- Mixen Sie niemals kohlenensäurehaltige Getränke, Spülmittel oder andere Flüssigkeiten, die Ihr Volumen vergrößern oder Gas erzeugen könnten.
- Befüllen Sie den Behälter niemals über die angegebene Maximalmenge.
- Beenden Sie den Vorgang sofort und ziehen Sie den Stecker aus der Steckdose, wenn Flüssigkeiten während des Mixens auslaufen. Stellen Sie sicher, dass der Behälter nicht überfüllt ist, und dass die Dichtung nicht defekt ist. Reinigen Sie den Behälter und drehen Sie den Behälter fest in den Motorsockel, bevor Sie mit dem Mixen fortfahren.
- Gerät in sicherem Abstand von Kanten auf eine stabile, hitzebeständige, ebene und trockene Fläche stellen. Nicht auf oder neben einer Wärmequelle wie einem Gas- oder Elektroherd oder einem heißen Ofen betreiben.
- Das Gerät kann während des Betriebs aufgrund von Vibrationen verrutschen.
- Netzkabel nicht über Arbeitsplatten oder Tischkanten hängen lassen, von heißen Oberflächen fern halten, Kabelgewirr vermeiden.
- Gerät immer ausschalten, Netzstecker ziehen und abkühlen lassen, ehe Sie es bewegen, reinigen oder lagern.
- Gerät immer ausschalten, sofern möglich auch an der Steckdose, und Netzstecker ziehen, wenn es nicht in Gebrauch ist.
- Gerät nicht verwenden, wenn das Netzkabel, der Netzstecker oder das Gerät selbst in irgendeiner Weise beschädigt ist. Wenden Sie sich bei Schäden und zur Wartung (außer Reinigung) bitte an den Sage-Kundendienst oder besuchen Sie [sageappliances.com](http://sageappliances.com)
- Alle Wartungsarbeiten außer Reinigung nur von autorisierten Sage-Kundendienststellen vornehmen lassen.
- Kinder nicht mit dem Gerät spielen lassen.
- Reinigung des Geräts nicht von Kindern unter 8 Jahren und nur unter Aufsicht vornehmen lassen.

- Gerät und Netzkabel für Kinder bis zu 8 Jahren unzugänglich aufbewahren.
- Die Installation eines Schutz- oder Sicherheitsschalters wird bei der Verwendung von Elektrogeräten als zusätzliche Schutzmaßnahme empfohlen. Es wird ein Sicherheitsschalter mit maximal 30 mA Nennleistung empfohlen. Fachgerechte Beratung erhalten Sie von Ihrem Elektriker.
- Gerät nur nutzen, wenn es richtig zusammengesetzt ist. Das Gerät funktioniert nur, wenn es richtig zusammengesetzt ist.
- Gerät nicht auf der Abtropffläche Ihrer Spüle verwenden.
- Hände, Finger, Haare und Bekleidung, Schaber und andere Utensilien während des Betriebs von beweglichen oder rotierenden Teilen fern halten.
- Gerät nur bestimmungsgemäß zur Zubereitung von Speisen und / oder Getränken verwenden.
- Zur Vermeidung des Risikos, dass sich das Gerät aufgrund einer unbeabsichtigt zurückgesetzten Überlastsicherung selbst in Betrieb setzt, keine externen Schalter (z. B. eine Zeituhr) anschließen und das Gerät nicht an einen Stromkreis anschließen, der das Gerät regelmäßig aus- und einschalten kann. Alle Anweisungen vor dem Gebrauch sorgfältig lesen und zur späteren Bezugnahme aufbewahren.
- Dieses Gerät kann von Personen mit eingeschränkten körperlichen, sensorischen oder geistigen Fähigkeiten oder mit mangelnder Erfahrung und fehlenden Kenntnissen genutzt werden, sofern sie beaufsichtigt werden oder in den sicheren Gebrauch des Geräts eingewiesen wurden und sich der entsprechenden Risiken bewusst sind.
- Gerät nicht von Kindern bedienen lassen.
- Gerät während des Betriebs nicht unbeaufsichtigt lassen.
- Motor nach jedem Betrieb 1 Minute lang ruhen lassen.
- Keinen Teil des Geräts in einen Mikrowellenherd legen.
- Messer nur mit größter Vorsicht handhaben und reinigen, da sie sehr scharf sind. Fehlbedienung der Messer kann zu Verletzungen führen.
- Becher oder Kanne nicht auf den Motorfuß stellen, solange sich der Motor noch dreht.
- Nicht ohne Zutaten im Becher oder in der Kanne betreiben.
- Das Gerät nie mit beschädigten Messern betreiben oder wenn



sich Utensilien oder beliebige Fremdkörper im Becher oder in der Kanne befinden.

- Becher oder Kanne keinen extrem heißen oder kalten Temperaturen aussetzen, z. B. eine kalte Kanne nicht in heißes Wasser legen oder umgekehrt.
- Die Messer müssen vor dem Betrieb fest im Behälter eingesetzt werden um zu verhindern, dass Inhalt herausspritzt oder ausläuft.
- Nie versuchen, die Messer-Baugruppe ohne eingesetzten Behälter auf den Motorfuß zu setzen oder so zu betreiben.
- Behälter nicht über die Markierung MAX hinaus füllen, da der Motor dann unter hoher Belastung überlastet werden und Flüssigkeit austreten könnte. Dies reduziert außerdem die Mixerleistung. Bitte beachten, dass manche Mischungen beim Mixen an Volumen zunehmen
- Bei der Bezeichnung „schwere Last“ wird Bezug auf die in den Sicherheitsanweisungen definierte Nutzungslast des Geräts genommen (für den großen Behälter, bis zur Max-Markierung gefüllt mit einer Mischung aus 2 Gewichtsteilen eingeweichter, gewürfelter

Karotten und drei Teilen Wasser). Alle Belastungen auf dieser Ebene oder darüber hinaus sollten jeweils nur maximal 10 Sekunden lang angewendet werden. Bitte beachten, dass keines der mit diesem Produkt mitgelieferten Rezepte als eine höhere Belastung gilt.

- Der Mahleinsatz ist nur zur Verwendung mit trockenen Zutaten.
- Keine harten Zutaten wie Cassiarinde, Sternanis, ganze Nelken oder getrocknete Maiskörner zerkleinern, da sie die Messer beschädigen könnten.



Dieses Symbol zeigt, dass das Gerät nicht im normalen Hausmüll entsorgt werden sollte.

Es sollte stattdessen bei einem entsprechenden kommunalen Wertstoffhof oder Fachhändler zur Entsorgung abgegeben werden. Weitere Einzelheiten erfahren Sie von Ihrer Kommunalbehörde.

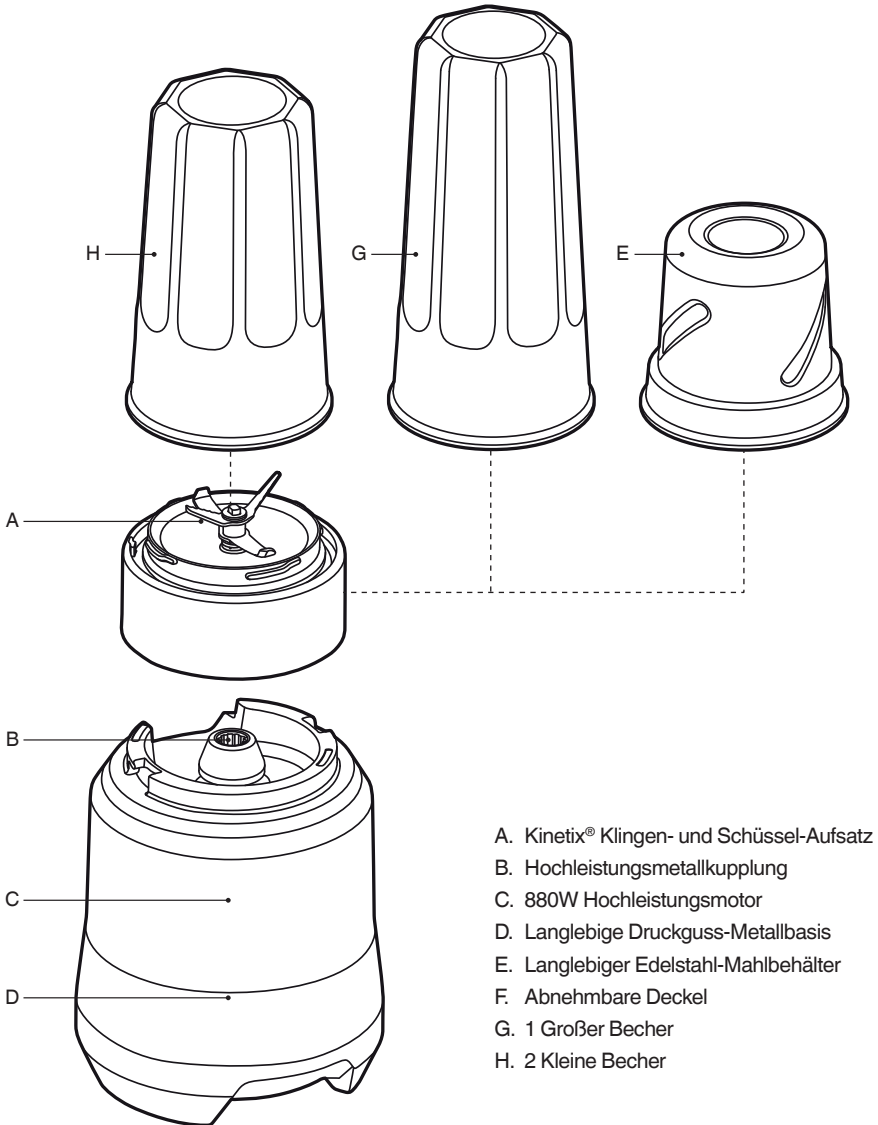


Zum Schutz gegen Stromschlag Netzstecker, Netzkabel oder Gerät nicht in Wasser oder sonstige Flüssigkeiten tauchen.

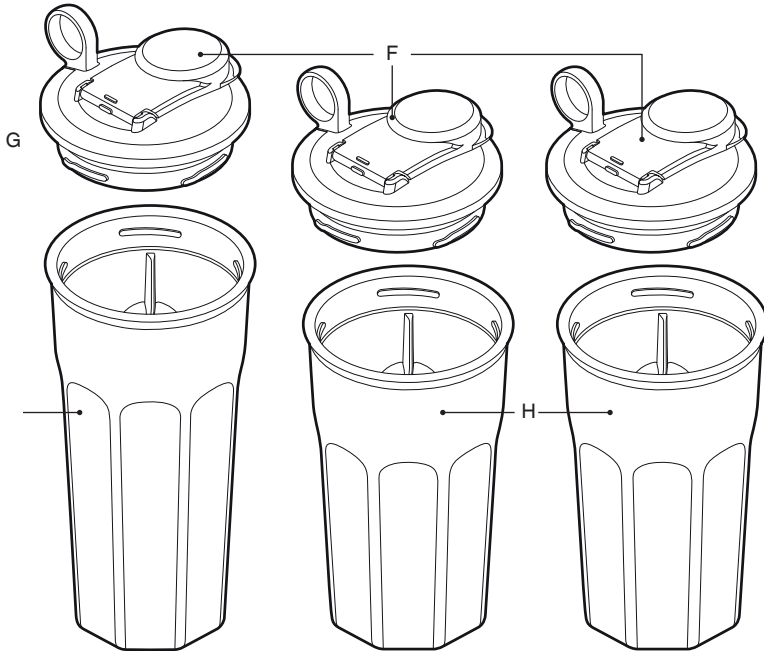
# DIESE ANLEITUNG AUFBEWAHREN



# Bestandteile



**CE** Leistungsangaben  
220-240V ~ 50-60Hz 880W



## EASTMAN TRITAN™ COPOLYESTER

- Die Becher sind aus Eastman Tritan™ Copolyester hergestellt, einem robusten, BPA-freien Polymer, das zur Herstellung von Haushaltsgegenständen verwendet wird, die extremem Gebrauch und wiederholter Reinigung im Geschirrspüler standhalten können. Produkte aus Tritan™ sind schlagfest und bruchsicher und bleiben klar durchsichtig und haltbar selbst nach hunderten Durchgängen in der Spülmaschine.



# Montage

## VOR DEM ERSTEN GEBRAUCH

- Bevor Sie Ihren Mixer zum ersten Mal verwenden, entfernen Sie das gesamte Verpackungsmaterial und alle Werbeaufkleber.
- Gehen Sie vorsichtig mit den Klingen um, denn diese sind extrem scharf.
- Waschen Sie die Becher, Deckel, Klingenaufsatz und Zubehör in warmem, seifigem Wasser mit einem weichen Lappen. Spülen und trocknen Sie alles gründlich. Alle Teile (mit Ausnahme des Motorsockels) können in einem Geschirrspüler gereinigt werden - nur auf den obersten Geschirrkorb legen.
- Wenn Sie Ihren Mixer zum ersten Mal in Betrieb nehmen, ist es möglich, dass Sie einen Geruch wahrnehmen, der vom Motor kommt. Dies ist ganz normal und wird sich schnell verziehen.

## MONTAGE

1. Entfernen Sie die Klingen und stellen Sie den Becher mit der Öffnung nach oben auf.
2. Füllen Sie die Zutaten in den Becher, vermeiden Sie dabei, über die MAX – Höchstfüllmarkierung zu gehen.
3. Befestigen Sie den Klingenaufsatz mit einer Viertel-Drehung im Uhrzeigersinn. Stellen Sie sicher, dass der Klingenaufsatz-Ring fest eingefügt ist, bevor Sie den Becher umdrehen, um mit dem Mixen zu beginnen.



# Funktionen

## BETRIEB

- Der Mixer funktioniert nur, wenn die Klingen und der Becher richtig zusammengefügt sind. Dies entsperrt die Sicherheitsverriegelung und erlaubt dem Motor zu laufen.
- Wenn Becher und Klingenaufsatz korrekt zusammengefügt sind und die Zutaten sich im Becher befinden, drehen Sie den Becher um und platzieren Sie ihn, entsprechend den Markierungen zum Ausrichten, auf dem Motorsockel.
- Zum Mixen fassen Sie den Becher-Aufbau fest an und drehen Sie ihn im Uhrzeigersinn auf dem Motorsockel in die ON (AN)-Stellung.
- Wenn die gewünschte Konsistenz erreicht ist, drehen Sie den Becher-Aufbau gegen den Uhrzeigersinn um ihn zu entsperren und vom Motor abzukuppeln.
- Mixen Sie nicht für mehr als 60 Sekunden ohne Unterbrechung. Geben Sie dem Motor 2 Minuten Pause, bevor Sie mit dem Mixen fortfahren.
- Mahlen / zerkleinern Sie nicht für mehr als 30 Sekunden ohne Unterbrechung. Lassen Sie den Motor rasten und den Metall-Mahlaufsatz für 30 Sekunden abkühlen, bevor Sie fortfahren.
- Zutaten können pulsier-gemixt werden, indem Sie den Becher in der Bajonett-Stellung drehen, was den Motor an- und abstellt.
- Wenn Sie mit dem Mixen fertig sind, warten Sie ein paar Sekunden, bis die Klingen aufgehört haben sich zu drehen, bevor Sie den Becher-Aufsatz vom Motorsockel abheben.
- Drehen Sie den Becher um und lassen Sie den Saft von den Klingen ablaufen, bevor Sie die Klingen abschrauben. Halten Sie die den Klingenaufsatz-Ring, und drehen Sie gegen den Uhrzeigersinn, um den Klingenaufsatz abzuheben.
- Zu Ihrer Sicherheit empfehlen wir, den Motorsockel ggf. an der Steckdose abzuschalten und den Netzstecker abziehen, wenn Sie mit dem Mixen fertig sind.
- Der Mahlaufsatz funktioniert ähnlich wie die Becher. Setzen Sie die Klingen auf dieselbe Weise ein und wählen Sie dann wie zuvor beschrieben die Pulsier-Aktion oder kontinuierliches Mixen.

- Die Oberfläche der Edelstahl-Mahlschale kann unter Umständen zu heiß werden, um sie anzufassen, wenn Sie länger als 30 Sekunden mahlen. Nehmen Sie die Mahlschale vom Motorsockel ab, indem Sie den Kunststoffing anfassen.

## ÜBERLASTUNGSSCHUTZSYSTEM

- Der Mixer ist mit einem internen, selbststrückstellenden Überlastungsschutz ausgestattet, um den Motor vor Schaden durch starke oder kontinuierliche Beladung zu schützen. Wenn der Mixer plötzlich anhält, könnte die Schutzvorrichtung ausgelöst worden sein.
- Nehmen Sie den Becher ab, ziehen Sie den Netzstecker ab und lassen Sie das Gerät für mindestens 30 Minuten abkühlen. Tauschen Sie den Becher nicht während des Abkühlens, weil sich der Schutzschalter selbst zurücksetzen und das Gerät unerwartet wieder in Betrieb gehen könnte.
- Wenn der Schutzschalter aktiviert wird, zeigt dies an, dass der Mixer zu stark beladen oder übermäßig lange ohne Unterbrechung benutzt wird. Reduzieren Sie die Menge der Zutaten oder lassen Sie mehr Zeit zwischen Arbeitsgängen verstreichen, um zu verhindern, dass dies neuerlich passiert. Das wird auch helfen, die Lebensdauer des Motors zu verlängern.
- Die MAX Linie ist eine gute Orientierungshilfe, um übermäßiges Beladen zu vermeiden, allerdings können Kombinationen von Zutaten mit besonders großer Dichte den Motor dennoch überlasten. Wenn der Motor überlastet zu sein scheint oder nur langsam läuft, lassen Sie den Mixer nur für jeweils 10 Sekunden laufen, oder reduzieren Sie die Menge der Zutaten. Zusätzliche Flüssigkeit kann ebenfalls helfen, besonders dichte Mischungen aufzulockern.



# Pflege & Reinigung

Ziehen Sie aus Sicherheitsgründen nach der Benutzung das Netzkabel aus der Steckdose.

## Becher und Deckel

Um Ihre Becher und Deckel sauber zu halten, vermeiden Sie, Lebensmittelrückstände antrocknen zu lassen. Daher bitte nach jeder Verwendung folgendermaßen reinigen:

- Spülen Sie den Großteil der Rückstände von den Klingen, dem Becher und dem Deckel.
- Waschen Sie die Teile in warmem, seifigem Wasser mit einem milden Spülmittel und einem nicht scheuernden Schwamm.

## Motorfuß

Zur Reinigung des Motorfuß wischen Sie diesen mit einem weichen, feuchten Lappen ab und trocknen Sie ihn dann gründlich. Wischen Sie Speisereste von dem Stromkabel.

## Reinigungsmittel

Benutzen Sie keine kratzenden Scheuerlappen oder Putzmittel am Motorsockel oder an den Schalen, da die Oberflächen zerkratzt werden könnten. Benutzen Sie nur warmes Wasser und ein weiches Geschirrtuch.

## Aufbau von Druck

Die Becher können ausgespült werden, indem Sie kaltes Wasser hinzufügen, die Klingen einsetzen und entweder mixen oder einfach von Hand für 10 Sekunden schütteln.

**WICHTIG:** Es besteht das Risiko, dass heißes Wasser und Spülmittel zu einem Druckaufbau führen könnte.

Wenn Sie spülen, indem Sie die Klingen einsetzen und dann mixen oder schütteln, verwenden Sie niemals heißes oder auch nur warmes Wasser, da der dabei erzeugte Dampf einen gefährlichen Überdruck erzeugen kann.

Fügen Sie kein Spülmittel hinzu, da sich Schaum ausdehnt und Druckbildung verursachen kann.

## Geschirrspüler

Die Becher, Deckel und der Messeraufsatz können im Geschirrspüler gewaschen werden, allerdings nur im obersten Geschirrkorb.

## Hartnäckige Lebensmittelflecken und Gerüche

Stark riechende Lebensmittel wie Kümmel oder Koriander, und einige Gemüse wie z.B. Karotten, können einen Geruch hinterlassen oder Verfärbungen auf den Klingen, den Bechern oder den Deckeln hinterlassen.

Um diese zu entfernen, füllen Sie warmes Seifenwasser bis zur MAX-Markierung ein und lassen Sie es für 5 Minuten einweichen. Mit einem milden Spülmittel und warmem Wasser nochmal reinigen, danach alle Teile gründlich abspülen und sofort abtrocknen. Nehmen Sie die Deckel ab, wenn Sie die Becher aufbewahren.

## Zitrus

Die Einwirkung von Zitrusöl kann die Transparenz und Langlebigkeit der Tritan-Becher beeinträchtigen. Becher mit einem milden Spülmittel und warmem Wasser gründlich reinigen, danach gut abspülen und sofort abtrocknen. Nicht einweichen, nachdem Sie Zitrusfrüchte verarbeitet haben.

## Aufbewahrung

Bewahren Sie das Gerät in einer aufrechten Position auf, mit den Bechern und Klingen auf dem Motorsockel zusammengefügt, oder daneben abgestellt. Lassen Sie die Becher nicht in der ON (AN)-Stellung, wenn Sie das Gerät aufbewahren, weil dies den Motorschalter auslöst und das Gerät sofort startet, wenn der Netzstecker wieder angeschlossen wird.



## Fehlerbehebung

---

### **Der Motor startet nicht oder die Klängen rotieren nicht**

- Überprüfen Sie, ob der Netzstecker ordentlich an die Steckdose angeschlossen ist.
- Das Überlastungsschutzsystem könnte aktiviert sein (siehe Folgendes).

### **Der Mixer hält während des Gebrauchs an**

- Das Gerät hat einen Überlastungsschutz der aktiviert worden sein könnte, um Schaden am Motor zu vermeiden. Ziehen Sie den Stecker ab, nehmen Sie den Becher ab und lassen Sie den Motor für 30 Minuten abkühlen. Nachdem er abgekühlt ist, können Sie ihn wieder ganz normal benutzen.
- Wir empfehlen, dass Sie in kleineren Einheiten mixen, oder dass Sie die Zutaten in kleinere Stücke schneiden. Bitte lesen Sie die Information in dem Kapitel zum Überlastungsschutzsystem.

---

### **Der Saft hat Klumpen oder ist nicht gleichmäßig gemixt**

- Dies kann passieren, wenn zu viele Lebensmittel auf einmal gemixt werden. Versuchen Sie eine kleinere Menge und arbeiten Sie, wenn nötig, in mehreren Durchgängen.
- Die Zutaten könnten zu groß sein. Versuchen Sie es mit den Zutaten in kleinere Stücke zerteilt. Für beste Resultate, schneiden Sie die Zutaten in maximal 2cm Größe Stücke.

---

### **Lebensmittel bleiben an den Klängen und am Becher kleben**

- Das Gemisch könnte zu dickflüssig sein. Versuchen Sie es mit mehr Flüssigkeit und / oder im Pulsiergang des Mixers.
-



## Garantie

### **2 JAHRE BESCHRÄNKTE GARANTIE**

Sage Appliances gibt auf dieses Produkt für den häuslichen Gebrauch in bestimmten Gebieten eine Garantie über 2 Jahre ab Kaufdatum für Mängel, die durch fehlerhafte Verarbeitung und Materialien verursacht wurden. Während dieser Garantiezeit wird Sage Appliances jedes fehlerhafte Produkt reparieren, ersetzen oder das Geld zurückerstatten (nach eigenem Ermessen von Sage Appliances).

Alle gesetzlichen Gewährleistungsrechte nach geltendem nationalem Recht werden beachtet und durch unsere Garantie nicht beeinträchtigt. Die vollständigen Garantiebestimmungen und -bedingungen sowie Hinweise zur Geltendmachung von Ansprüchen finden Sie unter [www.sageappliances.com](http://www.sageappliances.com).



*the Boss To Go™ Plus*



FR GUIDE UTILISATEUR

**Sage®**



## Table des matières

2	Mesures importantes de sécurité
7	Composants
8	Assemblage
9	Fonctions
10	Entretien et nettoyage
11	Dépannage
11	Garantie

## **SAGE® RECOMMANDE LA SÉCURITÉ EN PREMIER**

**Chez Sage®, la sécurité est une priorité. Nous concevons et fabriquons des produits consommateurs en mettant la sécurité de nos clients importants, c'est-à-dire vous, au premier plan. Nous vous demandons également de faire attention lorsque vous utilisez un appareil électrique et de respecter les consignes suivantes.**

## **MESURES IMPORTANTES DE SÉCURITÉ**

### **LISEZ TOUTES LES INSTRUCTIONS AVANT UTILISATION ET CONSERVEZ- LES POUR RÉFÉRENCE ULTÉRIEURE**

- Une version téléchargeable de ce document est également disponible sur [sageappliances.com](http://sageappliances.com).
- Avant une première utilisation, assurez-vous que l'alimentation électrique est identique à celle illustrée sur l'étiquette sous l'appareil.
- Retirez tout emballage avant la première utilisation et éliminez-le de façon sûre.
- Pour éviter tout risque d'étouffement pour les jeunes enfants, éliminez de manière sûre le couvercle de protection sur la prise d'alimentation.
- Cet appareil est destiné à un usage domestique uniquement. N'utilisez pas l'appareil pour toute autre fin que son utilisation prévue. Ne l'utilisez pas sur un bateau ou dans des véhicules en mouvement. Ne l'utilisez pas en plein air. Une mauvaise utilisation peut engendrer des blessures.
- Déroulez entièrement le cordon d'alimentation avant utilisation.

- Placez l'appareil sur une surface stable, résistante à la chaleur, plane et sèche, loin du bord. Ne l'utilisez pas sur ou à proximité d'une source de chaleur (plaque chauffante, four ou cuisinière au gaz).

**Ouvrir un verre sous pression peut provoquer des éclaboussures dues aux ingrédients ou des brûlures si le contenu est chaud.**

**Pour réduire ce risque, respectez toujours les instructions ci-dessous :**

- Ne mélangez jamais des ingrédients chauds. Arrêtez le processus de mélange si des contenus deviennent chauds pendant le mélange.
- Ne mélangez jamais des ingrédients pendant plus d'une minute. Mélanger des ingrédients pendant plus d'une minute peut entraîner leur réchauffement et la vapeur peut mettre le verre sous pression.
- N'essayez jamais de dévisser la lame de la base du verre lorsque celui-ci est sous pression en raison d'une accumulation de vapeur. Laissez le verre refroidir à température ambiante avant de dévisser soigneusement la lame.
- Ne mélangez jamais des liquides et détergents gazeux, ou tout ingrédient pouvant développer ou générer un gaz.
- Ne remplissez jamais le verre au-delà de la capacité maximale indiquée sur le verre.
- En cas de fuite lors du mélange, arrêtez immédiatement de mixer et débranchez l'unité de l'alimentation. Assurez-vous que le verre n'est pas rempli au-delà du niveau maximum et que le joint et le verre ne sont pas endommagés. Nettoyez la fuite avec un chiffon sec et vissez fermement le verre au mécanisme de mélange avant de recommencer à mixer.
- Des vibrations pendant l'utilisation peuvent provoquer le déplacement de l'appareil.
- Ne laissez pas le cordon d'alimentation suspendu au bord d'un plan de travail ou d'une table, toucher des surfaces chaudes ou se nouer.
- Assurez-vous toujours que l'appareil est hors tension, débranché de la prise électrique et qu'il a refroidi avant de le nettoyer, de le déplacer ou de le ranger.
- Assurez-vous toujours que l'appareil est hors tension, éteint et débranché au niveau de la prise électrique lorsqu'il n'est pas utilisé.
- N'utilisez pas l'appareil si le cordon d'alimentation, la prise ou l'appareil sont endommagés de quelque manière que ce soit. En cas de dommages

ou si un entretien autre que le nettoyage est nécessaire, contactez le service client Sage ou consultez le site [sageappliances.com](http://sageappliances.com).

- Tout entretien autre que le nettoyage doit être réalisé par un centre de services Sage® agréé.
- Les enfants ne doivent pas jouer avec l'appareil.
- Le nettoyage de l'appareil ne doit pas être effectué par des enfants à moins qu'ils aient 8 ans ou plus, et ce, sous la surveillance d'un adulte.
- L'appareil et son cordon doivent être conservés hors de la portée des enfants de 8 ans et moins.
- L'installation d'un commutateur de sécurité de courant résiduel est recommandée pour fournir une sécurité supplémentaire lors de l'utilisation de tous les appareils électriques. Les commutateurs de sécurité avec un courant de fonctionnement nominal maximal de 30 mA sont recommandés. Consultez un électricien pour obtenir des conseils professionnels.
- Assurez-vous toujours que l'appareil est correctement assemblé avant utilisation. L'appareil ne fonctionne pas s'il n'est pas correctement assemblé.
- N'utilisez pas l'appareil sur l'égouttoir d'un évier.
- Conservez vos mains, doigts, cheveux, vêtements, mais aussi les spatules et autres ustensiles éloignés des pièces amovibles ou rotatives lors du fonctionnement.
- N'utilisez pas l'appareil pour toute autre fin qu'une préparation alimentaire ou de boissons.
- Afin d'éviter le danger potentiel que l'appareil démarre tout seul à cause de la remise en marche involontaire de la protection contre les surcharges, ne connectez pas de dispositif de commutation supplémentaire externe (comme un minuteur). Veillez à ne pas brancher l'appareil à un circuit pouvant régulièrement mettre l'appareil sous tension et hors tension.
- Lisez soigneusement toutes les instructions avant utilisation et conservez-les pour référence ultérieure.
- L'appareil peut être utilisé par des personnes aux capacités mentales ou physiques réduites, ou ayant peu d'expérience et de connaissances uniquement sous supervision ou si elles ont reçu des instructions sur l'utilisation sécuritaire de l'appareil et qu'elles

comprennent les risques impliqués.

- Cet appareil ne doit pas être utilisé par des enfants.
- Ne laissez pas l'appareil sans surveillance lorsqu'il est en cours d'utilisation.
- Laissez le moteur se reposer pendant une minute entre chaque utilisation.
- Ne placez aucune pièce de l'appareil dans un four à micro-ondes.
- Soyez prudent lors de la manipulation et du nettoyage des lames, elles peuvent être très tranchantes. Une mauvaise manipulation des lames peut engendrer des blessures.
- Évitez de placer un verre ou un pichet sur la base du moteur lorsque le moteur tourne toujours.
- Ne l'utilisez pas sans ingrédient dans le verre ou le pichet.
- N'essayez jamais de l'utiliser avec des lames endommagées, ou avec des ustensiles ou tout autre objet étranger dans le verre ou le pichet.
- Ne soumettez pas le verre ou le pichet à des conditions de chaleur ou de froid extrêmes, par exemple en plaçant un pichet froid dans de l'eau chaude, ou inversement.
- Les lames doivent être soigneusement fixées au verre avant utilisation afin d'éviter toute fuite ou pulvérisation de contenu.
- Ne tentez jamais d'utiliser ou de placer le bloc lame sur la base du moteur lorsque le verre n'est pas en place.
- Ne remplissez pas le verre au-delà du repère MAX, car cela soumet le moteur à une forte charge et risque d'entraîner des fuites. Les performances de l'appareil pourraient également être réduites. Notez que certains mélanges augmentent en volume lors de la préparation.
- Une forte charge correspond à la charge spécifiée par la norme de sécurité de l'appareil (verre grand format rempli au niveau maximum indiqué avec un mélange comprenant 2 parties en masse de carottes en dés trempées et 3 parties d'eau). Toute charge équivalente ou plus lourde que cela ne doit pas être utilisée pendant plus de 10 secondes à la fois. Ne notez qu'aucune des recettes fournies avec ce produit n'est estimée plus lourde que cette charge.
- L'accessoire à broyer/moudre est destiné aux ingrédients secs uniquement.

- Les ingrédients durs tels que l'écorce de casse, l'anis étoilé, le clou de girofle entier et les grains de maïs secs ne doivent pas être mélangés car ils peuvent endommager les lames.



Le symbole illustré indique que cet appareil ne doit pas être jeté dans les ordures ménagères. Il doit être amené dans un centre de collecte de déchets des autorités locales désigné à cette fin ou à un revendeur proposant ce service. Pour en savoir plus, veuillez contacter votre bureau municipal local.

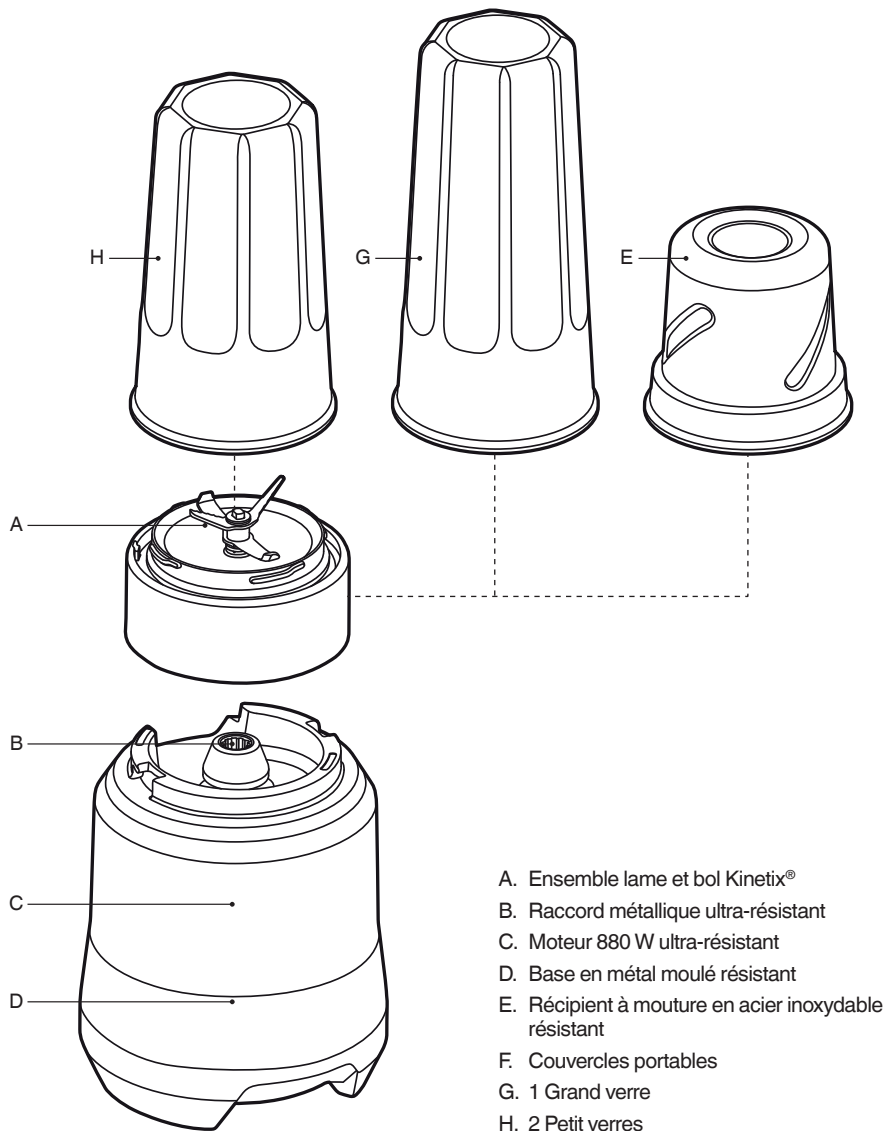


À des fins de protection contre les chocs électriques, n'immergez pas la prise électrique, le cordon ou l'appareil dans l'eau ou dans un liquide.

## CONSERVEZ CES INSTRUCTIONS

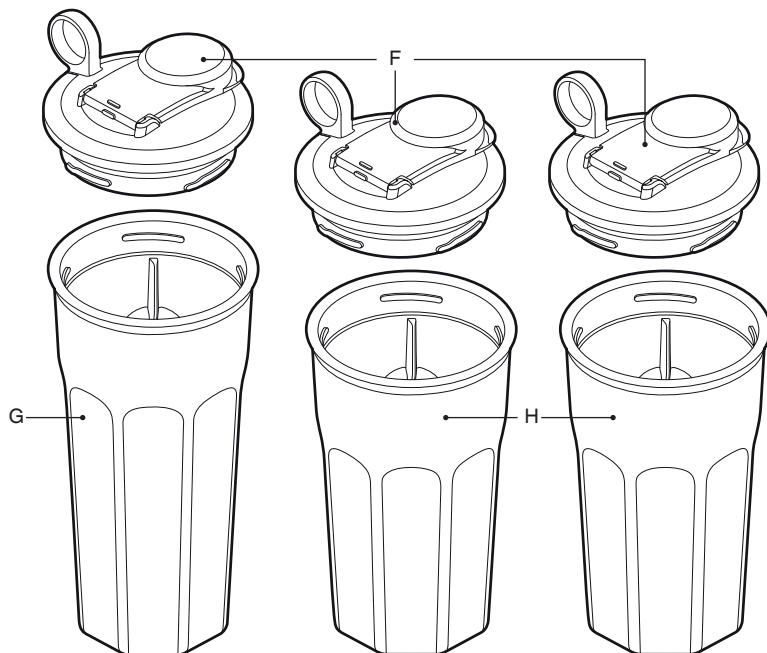


## Composants



- A. Ensemble lame et bol Kinetix®
- B. Raccord métallique ultra-résistant
- C. Moteur 880 W ultra-résistant
- D. Base en métal moulé résistant
- E. Récipient à mouture en acier inoxydable résistant
- F. Couvercles portables
- G. 1 Grand verre
- H. 2 Petit verres

**CE** Informations sur la tension nominale  
220-240V ~ 50-60Hz 880W



## COPOLYESTER EASTMAN TRITAN™

- Les verres sont fabriqués à partir de copolyester Eastman Tritan™, un polymère sans BPA robuste utilisé pour fabriquer des produits domestiques pouvant résister à une utilisation extrême et à un nettoyage répété au lave-vaisselle. Les produits fabriqués à partir de Tritan™ résistent aux chocs, sont incassables et restent transparents et durables même après des centaines de nettoyages au lave-vaisselle.



## Assemblage

### AVANT LA PREMIÈRE UTILISATION

- Avant d'utiliser votre blender Sage® pour la première fois, retirez l'emballage et les étiquettes promotionnelles.
- Soyez prudent lorsque vous manipulez les lames, car elles sont extrêmement tranchantes.
- Nettoyez les verres, les couvercles, le bloc lame et les accessoires dans de l'eau chaude savonneuse avec un chiffon doux. Rincez et séchez soigneusement. Toutes les pièces (sauf la base du moteur) peuvent être lavées dans le panier supérieur du lave-vaisselle.
- Lors de la première utilisation de votre blender, il se peut que vous remarquiez une odeur provenant du moteur. Ceci est normal et se dissipera au fil des utilisations.

### ASSEMBLAGE

1. Retirez les lames et positionnez le verre avec l'ouverture vers le haut.
2. Ajoutez les ingrédients en évitant de remplir au-delà de la ligne MAX.
3. Fixez le bloc lame en effectuant un quart de tour dans le sens des aiguilles d'une montre. Assurez-vous que le collet du bloc lame est bien en place avant de mettre le verre à l'envers pour procéder au mélange.





# Fonctions

## FONCTIONNEMENT

- Le blender ne fonctionnera que si les lames et le verre sont correctement assemblés. Ceci enclenche le verrouillage de sécurité et permet au moteur de fonctionner.
- Une fois que le bloc comprenant le verre et les lames est correctement assemblé avec les ingrédients à l'intérieur, renversez le verre et placez-le sur la base du moteur à l'aide des schémas d'alignement.
- Pour mélanger, maintenez fermement le bloc verre et tournez dans le sens des aiguilles d'une montre sur la base jusqu'à la position ON.
- Lorsque la consistance désirée est atteinte, tournez le verre dans le sens inverse des aiguilles d'une montre pour libérer et désenclencher le moteur.
- Ne mélangez pas pendant plus de 60 secondes consécutives. Laissez le moteur au repos pendant 2 minutes entre chaque utilisation.
- Ne broyez/moulez pas pendant plus de 30 secondes consécutives. Laissez le moteur au repos et l'outil de meulage en métal refroidir pendant 30 secondes avant de continuer.
- Les ingrédients peuvent être remués en tournant le verre dans les positions à baïonnette, ce qui permet d'allumer et d'éteindre le moteur.
- Lorsque le mélange est terminé, attendez quelques secondes que les lames cessent de tourner avant de soulever le bloc verre de la base du moteur.
- Renversez le verre et laissez les ingrédients s'écouler des lames pendant quelques secondes avant de dévisser les lames. Tenez la lame par le collet et tournez dans le sens inverse des aiguilles d'une montre pour l'enlever.
- Pour des raisons de sécurité, déconnectez la base du moteur de la prise secteur et débranchez la prise une fois le mélange terminé.
- L'accessoire de broyage fonctionne de la même manière que les verres. Fixez les lames de la même manière et utilisez soit une action pulsée, soit un mélange continu, comme décrit ci-dessus.
- La surface du verre de mouture en acier inoxydable peut devenir brûlante si la mouture dure plus de 30 secondes. Détachez de la base en tenant le collet en plastique.

## SYSTÈME DE PROTECTION CONTRE LES SURCHARGES

- Le blender est équipé d'une protection interne contre les surcharges à réarmement automatique afin de protéger le moteur contre les dommages causés par des charges lourdes ou continues. Si le mélangeur s'arrête brusquement pendant l'utilisation, il se peut que cette protection se soit déclenchée.
- Retirez le verre, débranchez l'appareil et laissez refroidir pendant au moins 30 minutes. Ne remettez pas en place le bloc verre pendant le refroidissement, car le système de protection pourrait se réinitialiser, ce qui provoquerait un démarrage inattendu.
- Le déclenchement de la protection indique une surcharge de l'extracteur ou une utilisation continue excessive. Réduisez la quantité d'ingrédients utilisés ou laissez plus de temps entre les mélanges pour éviter que cela ne se reproduise, ce qui aidera à préserver la durée de vie du moteur.
- La ligne MAX est généralement un bon indicateur pour éviter des charges trop lourdes, mais certaines combinaisons d'ingrédients particulièrement denses font subir une tension trop forte au moteur. Si le moteur semble filtrer ou fonctionner lentement, ne le faites fonctionner que pendant 10 secondes à la fois, ou réduisez la quantité d'ingrédients utilisés. L'ajout de liquide peut aussi aider à fluidifier les mélanges denses.



# Entretien et nettoyage

Débranchez le cordon d'alimentation de la prise électrique après utilisation pour des raisons de sécurité.

## Verres et couvercles

Pour garder vos verres et couvercles propres, évitez de laisser sécher les résidus alimentaires dessus. Procédez aux étapes suivantes dès que possible après l'utilisation :

- Rincez la plupart des résidus des lames, du verre et du couvercle.
- Lavez-le à la main dans de l'eau savonneuse tiède avec un détergent liquide doux et une éponge non abrasive.

## Base du moteur

Pour nettoyer la base du moteur, essuyez avec un chiffon doux et humide et séchez soigneusement. Essuyez tout excès de particules alimentaires du cordon d'alimentation.

## Agents de nettoyage

N'utilisez pas d'éponges ou nettoyeurs abrasifs sur la base du moteur ou les verres, car ils pourraient rayer la surface. Utilisez uniquement de l'eau savonneuse tiède avec un chiffon doux.

## Pressurisation

Les verres peuvent être rincés en ajoutant de l'eau froide, en fixant les lames et en mélangeant ou en secouant à la main pendant 10 secondes.

**IMPORTANT** : il existe un risque de pressurisation du détergent ou de l'eau tiède.

Lorsque vous rincez en fixant les lames et en mélangeant/secouant, n'ajoutez jamais d'eau tiède ou chaude, car la vapeur produite peut créer une pressurisation dangereuse.

N'ajoutez pas de détergent, car la mousse produite va s'étendre et peut provoquer une pressurisation.

## Lave-vaisselle

Les verres, les couvercles et le bloc lame peuvent être lavés dans le panier supérieur du lave-vaisselle.

## Odeurs et tâches d'aliments tenaces

Les aliments à forte odeur comme le cumin et la coriandre et certains légumes (carottes) peuvent laisser une odeur ou des tâches sur les lames, le verre ou le couvercle.

Pour retirer les odeurs et les tâches, versez de l'eau savonneuse tiède et remplissez jusqu'au repère MAX. Laissez tremper pendant 5 minutes. Nettoyez ensuite avec un détergent doux et de l'eau tiède, rincez bien et séchez soigneusement. Rangez les verres sans leurs couvercles.

## Agrumes

L'exposition à l'huile d'agrumes peut affecter la clarté et la longévité des verres en Tritan. Après nettoyage avec détergent, rincez entièrement avec de l'eau claire et laissez sécher immédiatement. Ne laissez pas tremper si des agrumes ont été mélangés.

## Rangement

Rangez l'appareil en position verticale avec les verres et les lames assemblés et fixés sur la base du moteur, ou à côté.

Ne rangez pas le verre tourné sur la position ON, car cela signifie que le moteur est enclenché et qu'il se mettra en marche immédiatement lorsqu'il sera branché ou connecté au secteur.



## Dépannage

<b>Le moteur ne démarre pas ou la lame ne tourne pas</b>	<ul style="list-style-type: none"> <li>• Vérifiez que la fiche secteur est correctement insérée dans la prise électrique.</li> <li>• Le système de protection contre les surcharges s'est peut-être déclenché (voir ci-dessous).</li> </ul>
<b>Le blender s'est arrêté brusquement lors de l'utilisation</b>	<ul style="list-style-type: none"> <li>• Ce blender dispose d'une protection contre les surcharges pour éviter d'endommager le moteur et celle-ci s'est peut-être déclenchée. Débranchez l'appareil, retirez le verre et laissez le moteur refroidir pendant 30 minutes. Une fois qu'il aura refroidi, vous pourrez à nouveau utiliser le blender normalement.</li> <li>• Nous recommandons de mixer dans de plus petites quantités, ou de couper les ingrédients en morceaux plus petits. Reportez-vous à la section Système de protection contre les surcharges pour plus d'informations.</li> </ul>
<b>La nourriture forme des grumeaux ou le mélange est hétérogène</b>	<ul style="list-style-type: none"> <li>• Cela peut se produire lorsque trop d'aliments sont mixés simultanément. Essayez avec une plus petite quantité, et faites plusieurs paquets si nécessaire.</li> <li>• Les ingrédients sont peut-être trop larges. Essayez de les couper en morceaux plus petits. Pour de meilleurs résultats, les ingrédients doivent être coupés en morceaux de 2 cm de largeur maximum.</li> </ul>
<b>Les ingrédients se collent à la lame et au verre</b>	<ul style="list-style-type: none"> <li>• Le mélange est peut-être trop épais. Ajoutez plus de liquide et/ou remuez le blender.</li> </ul>



## Garantie

### GARANTIE LIMITÉE 2 ANS

Sage Appliances garantit ce produit pour un usage domestique sur les territoires spécifiés pendant 2 ans à compter de la date d'achat, contre les défauts de fabrication et de matériaux. Au cours de cette période de garantie, Sage Appliances s'engage à réparer, remplacer ou rembourser tout produit défectueux (à sa seule discrétion).

Tous les droits de garantie légaux en vertu de la législation nationale applicable seront respectés et ne seront pas compromis par notre garantie. Pour connaître les conditions générales complètes relatives à la garantie ou pour obtenir des instructions sur la manière de déposer une réclamation, rendez-vous sur [www.sageappliances.com](http://www.sageappliances.com).

# Déclaration à l'intention du consommateur

## SAGE FRANCE - GARANTIE LIMITÉE

Sage Appliances garantit ce produit pour un usage domestique sur les territoires spécifiés pendant 2 ans à compter de la date d'achat initiale du produit contre les défauts de fabrication et de matériaux. La période de garantie peut-être supérieure pour certains produits ou pour certaines pièces de produits. Au cours de cette période de garantie, Sage Appliances s'engage à réparer, remplacer ou rembourser tout produit défectueux (à sa seule discrétion).

Tous les droits de garantie légaux en vertu de la législation nationale applicable seront respectés et ne seront pas compromis par notre garantie. Pour connaître les conditions générales complètes relatives à la garantie ou pour obtenir des instructions sur la manière de déposer une réclamation, rendez-vous sur [www.sageappliances.com](http://www.sageappliances.com).

Les dispositions de la présente garantie ne sont pas exclusives du bénéfice, au profit de l'acheteur, de la garantie légale de conformité prévue par les articles L. 217-4 et suivants du Code de la consommation, ainsi que de la garantie des vices cachés prévue par les articles 1641 et suivants du Code civil, qui sont en tout état de cause applicables et ce même en l'absence d'application ou en cas d'exclusion de la garantie conventionnelle.

Lorsqu'il agit en garantie légale de conformité, le consommateur :

- bénéficie d'un délai de deux ans à compter de la délivrance du bien pour agir ;
- peut choisir entre la réparation ou le remplacement du bien, sous réserve des conditions de coût prévues par l'article L. 217-9 du code de la consommation ;
- est dispensé de rapporter la preuve de l'existence du défaut de conformité du bien durant les vingt-quatre mois suivant la délivrance du bien.

La garantie légale de conformité s'applique indépendamment de la garantie commerciale éventuellement consentie.

Le consommateur peut décider de mettre en œuvre la garantie contre les défauts cachés de la chose vendue au sens de l'article 1641 du Code civil ; dans cette hypothèse, il peut choisir entre la résolution de la vente ou une réduction du prix de vente conformément à l'article 1644 du Code civil.

### Article L. 217-4 du Code de la consommation :

« Le vendeur livre un bien conforme au contrat et répond des défauts de conformité existant lors de la délivrance. Il répond également des défauts de conformité résultant de l'emballage, des instructions de montage ou de l'installation lorsque celle-ci a été mise à sa charge par le contrat ou a été réalisée sous sa responsabilité. »

### Article L. 217-5 du Code de la consommation :

« Le bien est conforme au contrat : 1° S'il est propre à l'usage habituellement attendu d'un bien semblable et, le cas échéant :

- s'il correspond à la description donnée par le vendeur et possède les qualités que celui-ci a présentées à l'acheteur sous forme d'échantillon ou de modèle ;
- s'il présente les qualités qu'un acheteur peut légitimement attendre eu égard aux déclarations publiques faites par le vendeur, par le producteur ou par son représentant, notamment dans la publicité ou l'étiquetage;

2° Ou s'il présente les caractéristiques définies d'un commun accord par les parties ou est propre à tout usage spécial recherché par l'acheteur, porté à la connaissance du vendeur et que ce dernier a accepté. »

### Article L 217-12 du Code de la consommation :

« L'action résultant du défaut de conformité se prescrit par deux ans à compter de la délivrance du bien. »

### Article L 217-16 du Code de la consommation :

« Lorsque l'acheteur demande au vendeur, pendant le cours de la garantie commerciale qui lui a été consentie lors de l'acquisition ou de la réparation d'un bien meuble, une remise en état couverte par la garantie, toute période d'immobilisation d'au moins sept jours vient s'ajouter à la durée de la garantie qui restait à courir. Cette période court à compter de la demande d'intervention de l'acheteur ou de la mise à disposition pour réparation du bien en cause, si cette mise à disposition est postérieure à la demande d'intervention. »

### Article 1641 du Code de la consommation :

« Le vendeur est tenu de la garantie à raison des défauts cachés de la chose vendue qui la rendent impropre à l'usage auquel on la destine, ou qui diminuent tellement cet usage que l'acheteur ne l'aurait pas acquise, ou n'en aurait donné qu'un moindre prix, s'il les avait connus. »

### Article 1648, al.1er du Code civil :

« L'action résultant des vices rédhibitoires doit être intentée par l'acquéreur dans un délai de deux ans à compter de la découverte du vice. »



*the Boss To Go™ Plus*



NL HANDLEIDING

**Sage®**



## Inhoud

- 2 Belangrijke veiligheidsmaatregelen
- 6 Onderdelen
- 8 Montage
- 9 Functies
- 10 Onderhoud en reiniging
- 11 Problemen oplossen
- 12 Garantie

## SAGE® STELT VEILIGHEID VOOROP

**Bij Sage® gaan we zeer veiligheidsbewust te werk. Bij het ontwerpen en produceren van onze consumentenproducten staat de veiligheid van onze gewaardeerde klanten voorop. Daarnaast vragen wij u voorzichtig om te gaan met elektrische apparaten en de volgende voorzorgsmaatregelen in acht te nemen.**

## BELANGRIJKE VEILIGHEIDS- MAATREGELEN

**LEES ALLE INSTRUCTIES  
VÓÓR GEBRUIK EN BEWAAR  
DEZE VOOR TOEKOMSTIGE  
NASLAG**

- Een downloadbare versie van dit document is ook beschikbaar op [sageappliances.com](http://sageappliances.com)
- Controleer vóór het eerste gebruik of uw elektriciteitsvoorziening dezelfde is als die op het label aan de onderkant van het apparaat.
- Verwijder voor het eerste gebruik het verpakkingsmateriaal en gooi het op een veilige manier weg.
- Gooi het beschermkapje op de stekker op een veilige manier weg om verstikkingsgevaar bij jonge kinderen te voorkomen.
- Dit apparaat is alleen voor huishoudelijk gebruik. Gebruik het apparaat alleen voor het beoogde gebruik. Gebruik het niet in bewegende voertuigen of boten. Gebruik het niet buitenshuis. Verkeerd gebruik kan tot letsel leiden.
- Wikkel het netsnoer volledig af voordat u het apparaat gebruikt.
- Plaats het apparaat op een stabiele, hittebestendige, vlakke, droge ondergrond, weg van de rand, en gebruik het niet op of in de buurt van een warmtebron zoals een kookplaat, oven of gasfornuis.

**Wanneer een beker onder druk wordt geopend, kunnen ingrediënten opspatten. Dit kan ook tot brandwonden leiden als de inhoud heet is.**

## **Volg de onderstaande instructies om dit risico te minimaliseren:**

- Mix nooit hete of warme ingrediënten. Stop het mengproces als de inhoud door het mixen heet wordt.
- Mix ingrediënten nooit langer dan 1 minuut. Als u langer dan 1 minuut mixt, kunnen de ingrediënten heet worden en kan stoom de beker onder druk zetten.
- Probeer het mes nooit los te draaien van de onderkant van de beker wanneer deze onder druk staat als gevolg van een opeenhoping van stoom. Laat de beker afkoelen tot kamertemperatuur en draai het mes daarna voorzichtig los.
- Mix nooit koolzuurhoudende vloeistoffen, afwasmiddelen of ingrediënten die kunnen uitzetten of een gas kunnen vormen.
- Vul de beker nooit verder dan de aangegeven maximale capaciteit van de beker.
- Als de beker tijdens het mixen begint te lekken, stop dan onmiddellijk en haal de stekker uit het stopcontact. Kijk of de beker tot boven het maximumniveau is gevuld en of de afdichting of de beker beschadigd is. Veeg de gelekte vloeistof op met een droge handdoek en schroef de beker stevig vast op het mengmechanisme voordat u doorgaat met mixen.
- Door trillingen tijdens het gebruik kan het apparaat mogelijk verplaatsen.
- Zorg dat het netsnoer niet over de rand van een aanrecht of tafel hangt, in aanraking komt met hete oppervlakken of in de knoop raakt.
- Zorg er altijd voor dat het apparaat UIT staat, de stekker uit het stopcontact is gehaald en het apparaat is afgekoeld voordat u het schoonmaakt, probeert te verplaatsen of opbergt.
- Zet het apparaat altijd uit en trek de stekker uit het stopcontact wanneer het apparaat niet in gebruik is.
- Gebruik het apparaat niet als het netsnoer, de stekker of het apparaat op enigerlei wijze beschadigd is. Neem contact op met de klantenservice van Sage of ga naar [sageappliances.com](http://sageappliances.com) als er sprake is van schade of er ander onderhoud dan reiniging is vereist.
- Onderhoud anders dan reiniging moet worden uitgevoerd door een geautoriseerd Sage®-servicecentrum.
- Kinderen mogen niet met het apparaat spelen.

- Reiniging van het apparaat mag niet door kinderen worden uitgevoerd, tenzij ze ten minste 8 jaar oud zijn en onder toezicht staan.
- Het apparaat en het snoer moeten buiten het bereik van kinderen jonger dan 8 jaar worden gehouden.
- Het wordt aanbevolen een aardlekschakelaar te installeren voor extra veiligheid bij het gebruik van alle elektrische apparaten. Veiligheidsschakelaars met een nominale bedrijfsstroom van niet meer dan 30 mA worden aanbevolen. Raadpleeg een elektricien voor professioneel advies.
- Controleer vóór gebruik altijd of het apparaat op de juiste manier in elkaar is gezet. Het apparaat werkt alleen als het op de juiste manier in elkaar is gezet.
- Gebruik het apparaat niet op het afdruipegedeelte van een gootsteen.
- Houd handen, vingers, haar, kleding, maar ook spatels en ander keukengerei tijdens gebruik uit de buurt van bewegende of draaiende onderdelen.
- Gebruik het apparaat alleen voor het bereiden van eten en/of drinken.
- Sluit geen extern schakelapparaat aan (zoals een timer) en sluit het apparaat niet aan op een circuit dat het apparaat regelmatig aan en uit kan zetten om te voorkomen dat het apparaat vanzelf wordt aangezet als gevolg van het onbedoeld resetten van de overbelastingsbeveiliging.
- Lees alle instructies vóór gebruik en bewaar deze voor toekomstige raadpleging.
- Het apparaat kan worden gebruikt door personen met beperkte fysieke of mentale capaciteiten of een gebrek aan ervaring en kennis, alleen als zij worden begeleid of instructies hebben gekregen over het veilige gebruik van het apparaat en als zij de gevaren ervan begrijpen.
- Dit apparaat mag niet door kinderen worden gebruikt.
- Laat het apparaat niet onbeheerd achter tijdens gebruik.
- Laat de motor tussen elk gebruik 1 minuut rusten.
- Plaats geen enkel onderdeel van het apparaat in de magnetron.
- Wees voorzichtig bij het hanteren en reinigen van messen. Deze zijn zeer scherp. Verkeerd gebruik van de messen kan tot letsel leiden.
- Plaats de kan of beker niet op de motorbasis terwijl de motor nog draait.

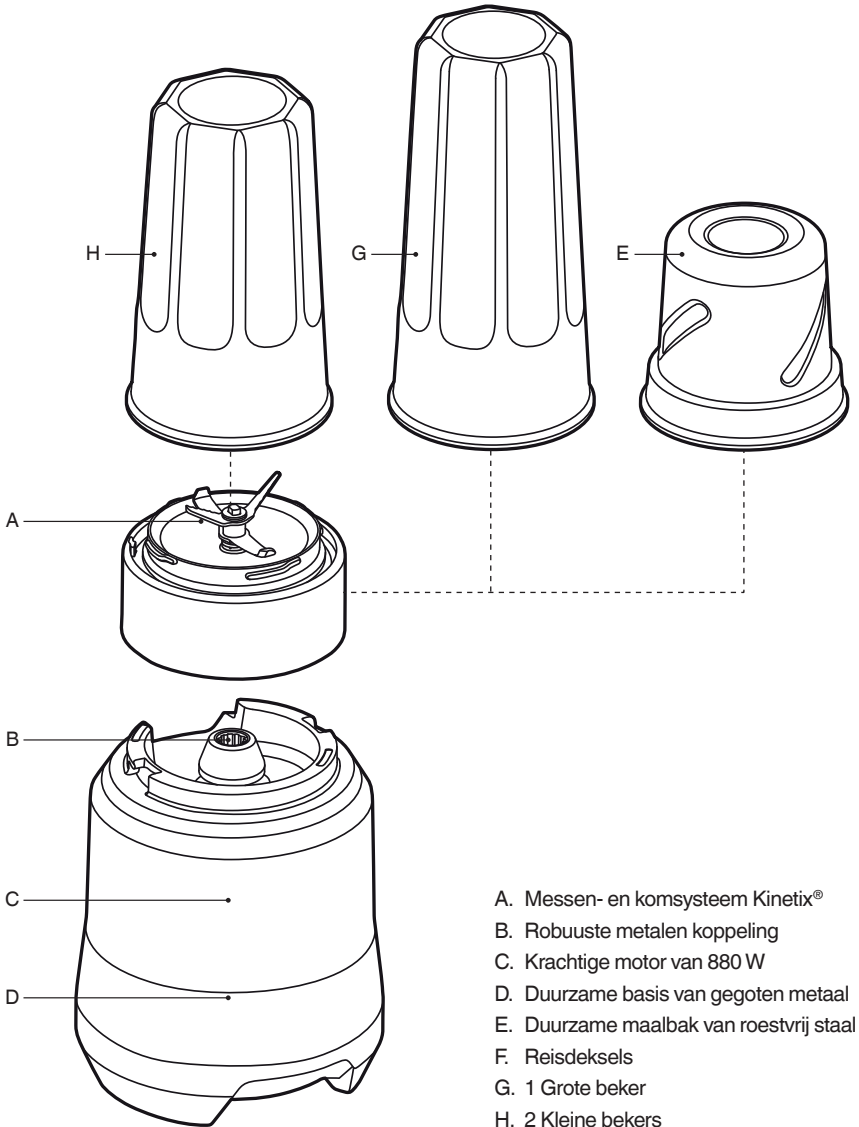


- Gebruik het apparaat niet zonder ingrediënten in de kan of beker.
  - Gebruik het apparaat nooit met beschadigde messen of met keukengerei of vreemde voorwerpen in de kan of beker.
  - Onderwerp de kan of beker niet aan extreem hoge of lage temperaturen, bijvoorbeeld door een koude kan in heet water of andersom te dompelen.
  - De messen moeten voor gebruik stevig op de beker worden bevestigd om te zorgen dat de inhoud niet kan ontsnappen, wegspuiten of overlopen.
  - Probeer de messen nooit te gebruiken of op de motorbasis te plaatsen zonder dat de beker is bevestigd.
  - Vul de beker niet tot boven het MAX-streepje, aangezien dit de motor te veel kan belasten en ervoor kan zorgen dat de beker begint te lekken. Het vermindert ook de prestaties van de blender. Houd er rekening mee dat sommige mengsels in volume toenemen tijdens het mixen.
  - Een zware belasting wordt gedefinieerd in de veiligheidsnormen van het apparaat: de grote beker gevuld tot het maximumniveau met een mengsel bestaande uit twee delen geweekte wortelblokjes en 3 delen water. Een belasting gelijk aan of zwaarder dan deze mag niet langer dan 10 seconden per keer worden gemixt. Geen van de recepten die bij dit product worden gegeven, is zwaarder dan deze belasting.
  - Het hulpstuk voor fijnmalen mag alleen met droge ingrediënten worden gebruikt.
  - Harde ingrediënten zoals kaneelstokjes, steranijs, hele kruidnagel en droge maïskorrels mogen niet worden gemixt omdat ze de messen kunnen beschadigen.
-  Het weergegeven symbool geeft aan dat dit apparaat niet met het normale huishoudelijk afval mag worden weggegooid. Het moet naar een geschikt plaatselijk afvalverwerkingscentrum worden gebracht of naar een provider die deze service biedt. Neem voor meer informatie contact op met uw gemeente.
-  Dompel de stekker, het snoer of het apparaat niet onder in water of een andere vloeistof om elektrische schokken te voorkomen.

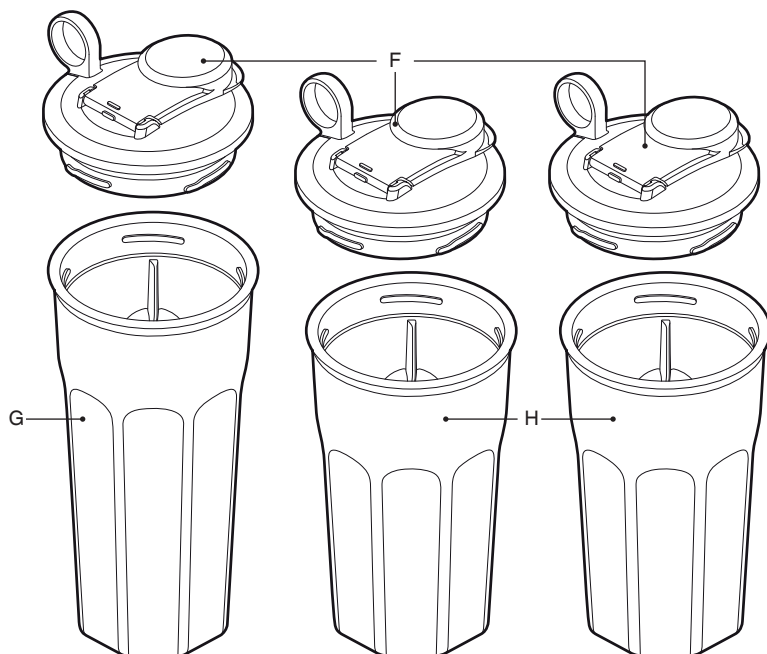
## BEWAAR DEZE INSTRUCTIES



## Onderdelen



**CE** Classificatiegegevens  
220-240V ~ 50-60Hz 880W



## EASTMAN TRITAN™-COPOLYESTER

- De bekers zijn gemaakt van Eastman Tritan™-copolyester, een sterk, BPA-vrij polymeer waarmee huishoudelijke producten worden gemaakt die bestand zijn tegen intens gebruik en herhaaldelijk reinigen in de vaatwasser. Producten gemaakt van Tritan™ zijn impactbestendig en breukvast, en blijven helder en duurzaam zelfs na honderden cycli in de vaatwasser.



# Montage

## VOOR HET EERSTE GEBRUIK

- Voordat u uw blender voor het eerst gebruikt, verwijdert u het verpakkingsmateriaal en de promotielabels.
- Wees voorzichtig bij het hanteren van de messen. Deze zijn zeer scherp.
- Was de bekens, deksels, messen en hulpstukken in warm zeepsop met een zachte doek. Spoel en droog alles goed af. Alle onderdelen (behalve de motorbasis) mogen in de bovenste lade van de vaatwasser worden gereinigd.
- Wanneer u uw blender voor het eerst gebruikt, merkt u mogelijk dat er een geur uit de motor komt. Dit is normaal en de geur verdwijnt bij gebruik van het apparaat.

## MONTAGE

1. Verwijder de messen en plaats de beker met de opening naar boven.
2. Voeg ingrediënten toe tot aan het maximumniveau.
3. Bevestig de messen door ze een kwartslag rechtsom te draaien. Zorg dat de ring van de messen stevig op zijn plaats zit voordat u de beker omdraait om te beginnen met mixen.



## Funcities

### BEDIENING

- De blender werkt alleen als de messen en beker juist in elkaar zijn gezet. Dit activeert de veiligheidspal, waardoor de motor in werking kan treden.
- Zodra de beker en messen juist in elkaar zijn gezet en u de ingrediënten heeft toegevoegd, keert u de beker om en plaatst u deze op de motorbasis met behulp van de uitlijningssymbolen.
- Als u wilt gaan mixen, houdt u de beker stevig vast en draait u deze rechtsom op de basis in de actieve positie.
- Wanneer u de gewenste consistentie heeft bereikt, draait u de beker linksom om deze te ontgrendelen en de motor uit te schakelen.
- Gebruik de blender niet langer dan 60 seconden per keer. Laat de motor tussen elk gebruik 2 minuten rusten.
- Laat de blender niet langer dan 30 seconden per keer malen. Laat de motor rusten en laat het metalen maalhelpstuk 30 seconden afkoelen voordat u verdergaat.
- U kunt de ingrediënten mixen met de pulseerstand door de beker in de verschillende posities te draaien, wat de motor in- en uitschakelt.
- Wanneer u klaar bent met mixen, wacht u enkele seconden totdat de messen tot stilstand zijn gekomen voordat u de beker van de motorbasis haalt.
- Keer de beker om en laat de ingrediënten enkele seconden van de messen glijden voordat u de messen losschroeft. Houd de ring van de messen vast en draai deze linksom om de messen te verwijderen.
- Haal voor de veiligheid de stekker uit het stopcontact om de motorbasis uit te schakelen.
- Het maalhelpstuk werkt op een gelijksoortige manier als de bekere. Bevestig de messen op dezelfde manier en gebruik de pulseerstand of continu mixen, zoals hierboven beschreven.
- Het oppervlak van de maalbeker van roestvrij staal kan te heet worden om aan te raken als u langer dan 30 seconden maalt. Haal deze van de basis door de beker bij de plastic ring vast te houden.

### OVERBELASTINGSBEVEILIGING

- De blender beschikt over een geïntegreerde autoresetfunctie voor overbelastingsbeveiliging om te voorkomen dat de motor beschadigd raakt bij een zware of continue belasting. Als de blender plots stopt tijdens het gebruik, is deze beveiliging mogelijk geactiveerd.
- Haal de beker van de basis, trek de stekker uit het stopcontact en laat de blender ten minste 30 seconden afkoelen. Zet de beker niet terug op de basis terwijl de blender afkoelt. De overbelastingsbeveiliging is mogelijk gereset waardoor de blender onverwachts kan worden ingeschakeld.
- Als de beveiliging wordt geactiveerd, betekent dat dat de extractor te zwaar wordt belast, of te lang continu wordt gebruikt. Gebruik minder ingrediënten of wacht wat langer tussen het mixen door om te voorkomen dat dit weer gebeurt. Zo verlengt u ook de levensduur van de motor.
- Het MAX-streepje is meestal een goede indicator om een te zware belasting te voorkomen, maar sommige bijzonder dichte combinaties van ingrediënten kunnen de motor nog steeds belasten. Als de motor met veel moeite of langzaam werkt, laat u deze slechts 10 seconden per keer draaien of gebruikt u minder ingrediënten. U kunt dichte mengsels ook wat losser maken door meer vloeistof toe te voegen.



## Onderhoud en reiniging

Haal de stekker om veiligheidsredenen na elk gebruik uit het stopcontact.

### Bekers en deksels

Laat geen etensresten op de bekers en deksels aankoeken om ze gemakkelijker schoon te houden. Volg deze stappen zo snel mogelijk na gebruik:

- Spoel de messen, beker en het deksel zoveel mogelijk schoon.
- Was ze met de hand in warm zeepsop met een zacht vloeibaar afwasmiddel en een niet-schurende spons.

### Motorbasis

Veeg de motorbasis schoon met een zachte, vochtige doek en droog de basis grondig af om deze te reinigen. Veeg eventuele etensresten van het netsnoer.

### Reinigingsmiddelen

Gebruik geen schuursponsjes of schuurmiddelen op de motorbasis of bekers, omdat deze krassen op het oppervlak kunnen veroorzaken. Gebruik alleen warm zeepsop met een zachte doek.

### Drukvorming

Om de beker te spoelen, voegt u koud water toe en bevestigt u de messen. Vervolgens laat u de blender 10 seconden draaien of schudt u de beker met de hand.

**BELANGRIJK:** De beker kan onder druk komen te staan door heet water en/of afwasmiddel.

Voeg nooit heet of zelfs warm water toe wanneer u de beker spoelt door de blender te laten draaien of de beker (met messen bevestigd) te schudden. De geproduceerde stoom kan namelijk gevaarlijke druk veroorzaken.

Voeg ook geen afwasmiddel toe, omdat het schuim zal uitzetten en druk kan veroorzaken.

### Vaatwasser

De bekers, deksels en messen mogen in de bovenste lade van de vaatwasser worden gereinigd.

### Hardnekkige voedselvlekken en geuren

Sterk ruikende ingrediënten zoals komijn en koriander, en sommige groenten zoals wortels kunnen een geur of vlekken achterlaten op de messen, de beker of het deksel.

Vul de beker met warm zeepsop tot het MAX-streepje om vlekken en geuren te verwijderen. Laat deze 5 minuten weken. Was ze dan af met een zacht afwasmiddel en warm water. Vervolgens goed afspoelen en afdrogen. Bewaar bekens met deksels verwijderd.

### Citrus

Blootstelling aan citrusolie kan van invloed zijn op de helderheid en duurzaamheid van de Tritan-bekers. Maak de beker schoon met afwasmiddel. Spoel deze goed af met water en laat meteen opdrogen. Laat de beker niet weken als u citrus heeft gemixt.

### Opslag

Berg de blender rechtop op, met beker en messen bevestigd, op of naast de motorbasis. Zorg dat de beker niet in de actieve positie is gedraaid. Dit zou betekenen dat de motor is ingeschakeld en onmiddellijk in werking zal treden wanneer het apparaat op het stopcontact wordt aangesloten.



## Problemen oplossen

---

### Motor start niet of het mes draait niet

- Controleer of de stekker goed in het stopcontact zit.
- Overbelastingsbeveiliging is mogelijk ingeschakeld (zie hieronder).

---

### Blender stopt plots wanneer deze in gebruik is

- Deze extractor beschikt over een overbelastingsbeveiliging om schade aan de motor te voorkomen. Haal de stekker uit het stopcontact, haal de beker eraf en laat de motor 30 minuten afkoelen. Nadat de motor is afgekoeld, kunt u deze weer als normaal gebruiken.
- We raden u aan kleinere hoeveelheden te gebruiken of de ingrediënten in kleinere stukken te snijden. Zie de sectie Overbelastingsbeveiliging voor meer informatie.

---

### Mengsel is klonterig of ongelijkmatig gemixt

- Dit kan gebeuren wanneer er te veel ingrediënten tegelijk worden gemixt. Mix een kleinere hoeveelheid en mix alles indien nodig in gedeeltes.
- De ingrediënten zijn mogelijk te groot. Snijd ze in kleinere stukken. Snijd ingrediënten in stukken van maximaal 2 cm voor het beste resultaat.

---

### Voedsel plakt aan de messen en beker

- Het mengsel is mogelijk te dik. Voeg meer vloeistof toe en/of gebruik de pulseerstand.
-



## Garantie

### **BEPERKTE GARANTIE VAN 2 JAAR**

Sage Appliances biedt een garantie op dit product voor huishoudelijk gebruik in genoemde gebieden gedurende 2 jaar vanaf de datum van aankoop tegen defecten veroorzaakt door gebrekkige afwerking en materialen. Gedurende deze garantieperiode zal Sage Appliances defecte producten repareren, vervangen of terugbetalen (naar eigen goeddunken van Sage Appliances).

Alle wettelijke garantierechten onder de toepasselijke nationale wetgeving worden gerespecteerd en onze garantie doet geen afbreuk aan deze rechten. Voor de algemene voorwaarden van de garantie, evenals instructies over hoe u aanspraak maakt op de garantie, gaat u naar [www.sageappliances.com](http://www.sageappliances.com).



*the Boss To Go™ Plus*



IT MANUALE UTENTE

**Sage®**



## Sommario

- 2 Norme di sicurezza importanti
- 7 Componenti
- 9 Montaggio
- 10 Funzioni
- 11 Manutenzione e pulizia
- 12 Risoluzione dei problemi
- 12 Garanzia

## **SAGE® CONSIGLIA: LA SICUREZZA PRIMA DI TUTTO**

**In Sage® abbiamo molto a cuore la sicurezza. Creiamo e commercializziamo prodotti di consumo tenendo sempre presente la sicurezza dei nostri clienti. Inoltre, invitiamo i clienti a prestare molta attenzione durante l'utilizzo degli apparecchi elettrici e a osservare le seguenti precauzioni.**

## **NORME DI SICUREZZA IMPORTANTI**

### **LEGGERE TUTTE LE ISTRUZIONI PRIMA DELL'USO E CONSERVARLE PER CONSULTARLE IN FUTURO**

- Sul sito [sageappliances.com](http://sageappliances.com) è disponibile anche una versione scaricabile del presente documento.
- Prima di usare l'apparecchio per la prima volta, verificare che la tensione della rete corrisponda a quella indicata sull'etichetta sotto il dispositivo.
- Rimuovere e smaltire in sicurezza tutti i materiali di imballaggio prima di utilizzare l'apparecchio per la prima volta.
- Per eliminare il rischio di soffocamento per i bambini, smaltire in sicurezza la copertura protettiva della spina.
- Questo apparecchio è destinato esclusivamente all'uso domestico. Non utilizzare per usi diversi da quello previsto. Non utilizzare su veicoli in movimento o barche. Non utilizzare all'aperto. L'uso non corretto potrebbe provocare lesioni.
- Svolgere completamente il cavo prima dell'uso.
- Posizionare l'elettrodomestico su una superficie stabile,

resistente al calore, piana e asciutta, lontano dal bordo della superficie. Utilizzare l'apparecchio lontano da fonti di calore come piastre elettriche, fornelli a gas o forni.

**L'apertura del tumbler pressurizzato può causare schizzi di ingredienti o ustioni se il contenuto è caldo. Per ridurre al minimo il rischio che ciò accada, seguire le istruzioni elencate:**

- Non miscelare mai ingredienti caldi o bollenti. Interrompere il funzionamento se il contenuto diventa bollente a causa della miscelazione.
- Non frullare mai gli ingredienti per più di 1 minuto. Se frullati per più di 1 minuto, gli ingredienti possono diventare bollenti e il vapore può creare pressione all'interno del tumbler.
- Non tentare mai di svitare la lama dalla base del tumbler quando all'interno dello stesso si è formata pressione a causa della produzione di vapore. Attendere che il tumbler si raffreddi fino a raggiungere la temperatura ambiente, quindi svitare con cura la lama.
- Non frullare mai liquidi gasati, detergenti o ingredienti che possono espandersi o generare gas.
- Non riempire mai il tumbler oltre la capacità massima indicata.
- In caso di perdite di liquido durante il funzionamento, interrompere il processo e scollegare l'unità dalla presa di corrente. Verificare che il tumbler non sia stato riempito oltre il livello massimo e che la guarnizione e il tumbler non presentino danni. Pulire il liquido fuoriuscito con un panno asciutto, quindi avvitare a fondo il contenitore al meccanismo del frullatore prima di riprendere il processo.
- Le vibrazioni durante il funzionamento potrebbero causare lo spostamento dell'elettrodomestico.
- Evitare che il cavo di alimentazione rimanga sospeso oltre il bordo di un tavolo o un banco, tocchi superfici calde o formi nodi.
- Prima di pulire, spostare o riporre l'elettrodomestico, assicurarsi sempre che sia spento e scollegato dalla presa di alimentazione e che si sia raffreddato a sufficienza.
- Quando non in uso, impostare sempre l'elettrodomestico su off, spegnere l'interruttore di alimentazione e scollegare il cavo dalla presa.
- Non utilizzare l'elettrodomestico se il cavo di alimentazione, la presa o l'elettrodomestico stesso presentano danni di qualsiasi tipo. Se l'elettrodomestico è danneggiato o

richiede un intervento di manutenzione diverso dalla pulizia, contattare il Servizio clienti Sage o visitare il sito Web [sageappliances.com](http://sageappliances.com).

- Qualsiasi operazione di manutenzione diversa dalla pulizia deve essere eseguita da un centro assistenza Sage® autorizzato.
- Non lasciare che i bambini giochino con l'elettrodomestico.
- La pulizia dell'elettrodomestico può essere effettuata da bambini di età non inferiore a 8 anni e con la supervisione di un adulto.
- Tenere l'elettrodomestico e il cavo fuori dalla portata dei bambini di età pari o inferiore agli 8 anni.
- Si consiglia l'installazione di un interruttore salvavita per una maggiore sicurezza durante l'utilizzo di tutti i dispositivi elettrici. Si consiglia l'uso di un salvavita con corrente operativa nominale non superiore a 30 mA. Rivolgersi a un elettricista per un parere professionale.
- Prima dell'uso, verificare sempre che l'elettrodomestico sia montato correttamente. L'apparecchio non funziona se non viene montato correttamente.
- Non usare l'elettrodomestico sul pianale del lavello.
- Durante il funzionamento, non avvicinare mani, dita, capelli, indumenti e spatole o altri utensili da cucina alle parti mobili o rotanti.
- Utilizzare l'elettrodomestico solo per la preparazione di cibi o bevande.
- Per evitare il possibile rischio di avvio automatico dell'elettrodomestico in seguito alla reimpostazione accidentale della protezione da sovraccarico, non collegare l'elettrodomestico a un dispositivo di commutazione esterno (ad esempio un timer) o a un circuito che può accendere o spegnere il dispositivo a intervalli regolari.
- Leggere attentamente tutte le istruzioni prima dell'uso e conservarle per consultarle in futuro.
- L'elettrodomestico può essere utilizzato da persone con disabilità fisiche o mentali o prive di esperienza o conoscenza dell'elettrodomestico stesso, a condizione che queste ultime lo utilizzino sotto la supervisione di qualcuno o secondo specifiche istruzioni ricevute in merito all'uso in sicurezza dell'elettrodomestico e che comprendano i rischi associati.

- Evitare che l'elettrodomestico venga utilizzato dai bambini.
- Non lasciare l'elettrodomestico incustodito durante il funzionamento.
- Attendere 1 minuto tra un utilizzo e l'altro per lasciare riposare il motore.
- Non mettere alcun componente dell'apparecchio nel forno a microonde.
- Prestare attenzione nel maneggiare e pulire le lame perché sono molto affilate. Se non maneggiate correttamente, le lame possono causare lesioni.
- Evitare di porre il contenitore o il boccale sopra la base del motore mentre il motore sta ancora girando.
- Evitare di far funzionare l'elettrodomestico senza ingredienti nel contenitore o nel boccale.
- Non tentare mai di far funzionare l'elettrodomestico con lame danneggiate o con utensili da cucina o altri corpi estranei all'interno del contenitore o del boccale.
- Evitare di sottoporre il contenitore o il boccale a estremi di temperatura, ad esempio evitare di immergere un boccale freddo in acqua bollente e viceversa.
- Prima di avviare l'elettrodomestico verificare che le lame siano fissate correttamente, per evitare la fuoriuscita del contenuto.
- Non tentare mai di utilizzare o montare il gruppo lame sulla base del motore senza aver prima montato il contenitore nella posizione corretta.
- Non riempire il contenitore oltre il segno MAX, poiché il carico eccessivo sottoporrà il motore a sforzo e questo potrebbe causare perdite. Inoltre le prestazioni del frullatore saranno influenzate negativamente. Si noti che alcune miscele aumentano di volume durante la miscelazione.
- Un carico eccessivo è definito in base al carico standard di sicurezza specificato per l'apparecchio (il contenitore grande riempito fino al livello massimo indicato con una miscela composta da due parti di carote tagliate a dadini e ammorbidite in acqua e 3 parti di acqua). L'apparecchio non deve essere utilizzato per più di 10 secondi alla volta con carichi equivalenti o superiori. Si noti che nessuna delle ricette fornite con questo prodotto richiede carichi superiori a quello indicato.

- L'accessorio per tritare deve essere utilizzato esclusivamente con ingredienti secchi.
- Gli ingredienti dalla consistenza dura come la cannella cassia, l'anice stellato, il chiodo di garofano intero e i chicchi di mais secchi non devono essere utilizzati nel frullatore perché potrebbero danneggiare le lame.



Questo simbolo indica che l'apparecchio non può essere smaltito con i rifiuti domestici comuni. Deve essere conferito presso un centro di smaltimento locale specializzato o presso un rivenditore che fornisce questo servizio. Per ulteriori informazioni, contattare l'ufficio comunale locale.

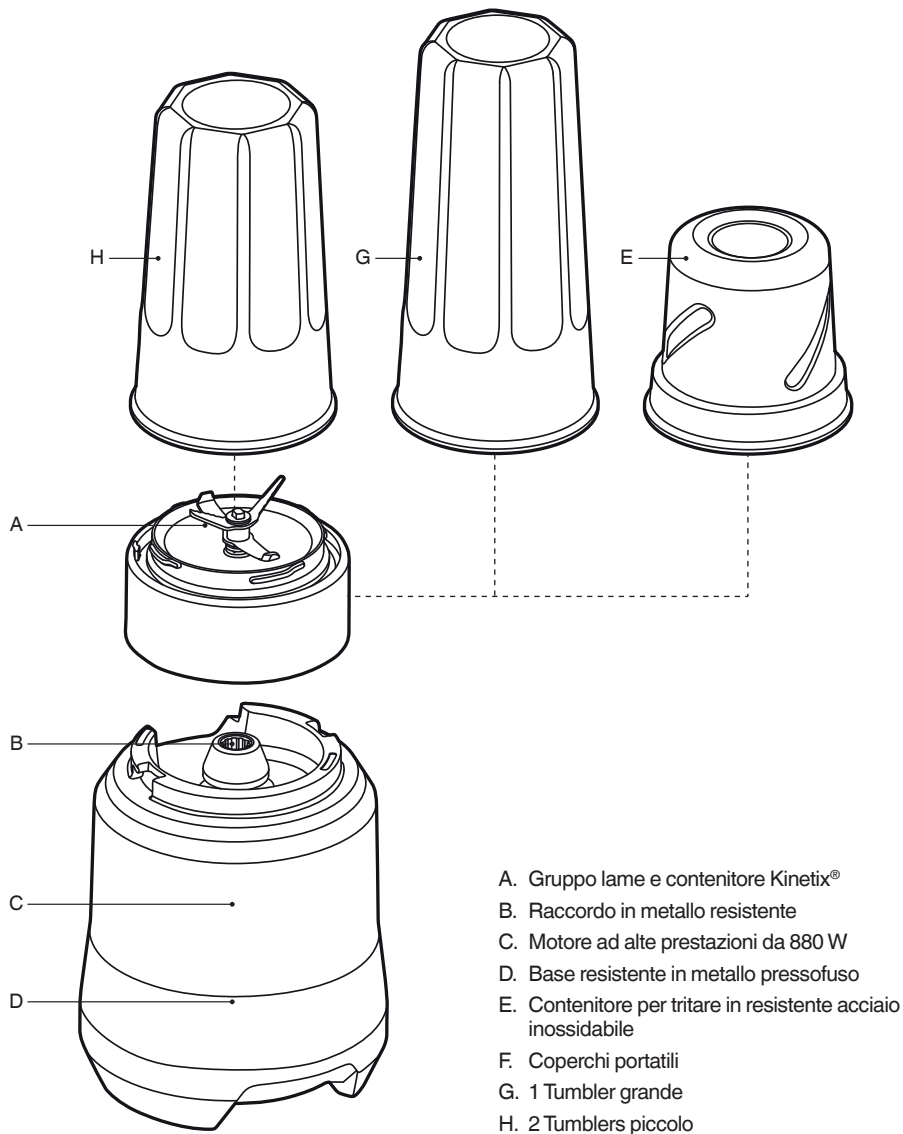


Per proteggersi dalle scariche elettriche, non immergere la spina, il cavo di alimentazione o l'elettrodomestico in acqua o in qualsiasi altro liquido.

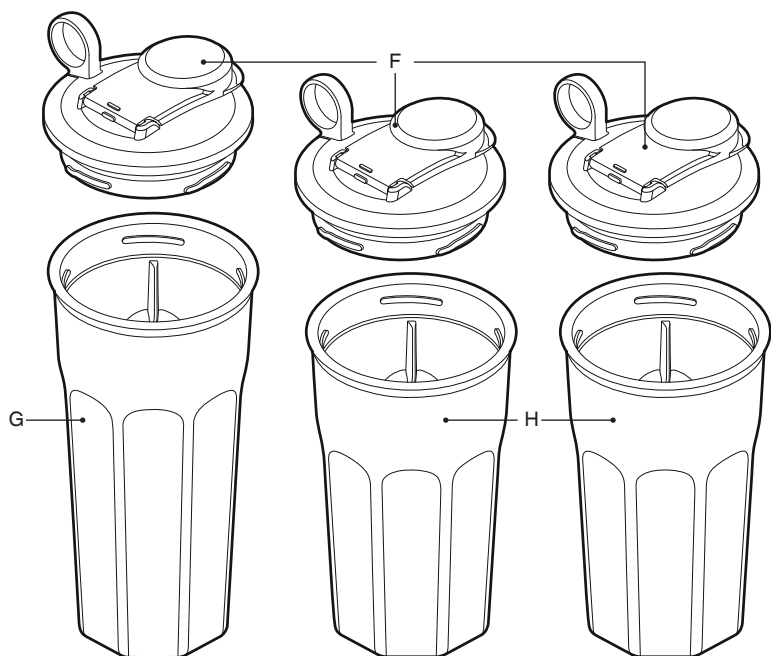
## CONSERVARE QUESTE ISTRUZIONI



## Componenti



**Informazioni sui valori nominali**  
 220-240V ~ 50-60Hz 880W



## COPOLIESTERE EASTMAN TRITAN™

- I tumblers del frullatore sono realizzati in copoliestere Eastman Tritan™, un resistente polimero BPA free utilizzato per la produzione di casalinghi particolarmente robusti e lavabili molte volte in lavastoviglie. I prodotti realizzati in Tritan™ sono antiurto, infrangibili e resistenti e mantengono la trasparenza anche dopo centinaia di lavaggi in lavastoviglie.





# Montaggio

## PREPARAZIONE AL PRIMO UTILIZZO

- Prima di usare il frullatore per la prima volta rimuovere e smaltire in sicurezza i materiali di imballaggio e le etichette promozionali.
- Fare attenzione quando si maneggiano le lame perché sono molto affilate.
- Lavare i tumbler, i coperchi, il gruppo lame e gli accessori con acqua tiepida e sapone, usando un panno morbido. Sciacquare e asciugare completamente. Tutti i componenti (eccetto la base del motore) sono lavabili nel ripiano superiore della lavastoviglie.
- Utilizzando il frullatore per la prima volta si potrebbe notare un odore proveniente dal motore. È normale: l'odore si dissiperà con l'uso.

## MONTAGGIO

1. Rimuovere le lame e posizionare il contenitore con l'apertura rivolta verso l'alto.
2. Aggiungere gli ingredienti evitando di riempire oltre il segno MAX.
3. Fissare il gruppo lame in posizione con un quarto di giro in senso orario. Assicurarsi che la ghiera del gruppo lame sia fissata in posizione prima di capovolgere il contenitore per iniziare a frullare.



## Funzioni

### FUNZIONAMENTO

- Il frullatore funzionerà solo quando le lame e la tazza saranno montate correttamente. Questo innesca il bloccaggio di sicurezza e consente al motore di funzionare.
- Quando il gruppo lame e il contenitore sono correttamente montati, inserire gli ingredienti, capovolgere il contenitore e posizionarlo sulla base del motore utilizzando le guide di allineamento.
- Per iniziare a frullare, afferrare saldamente il gruppo contenitore e ruotare in senso orario sulla base nella posizione ON.
- Quando viene raggiunta la consistenza desiderata, ruotare il tumbler in senso antiorario per rilasciare e disattivare il motore.
- Non utilizzare l'elettrodomestico per più di 60 secondi di seguito. Lasciar riposare il motore per 2 minuti prima di proseguire.
- Non tritare per più di 30 secondi di seguito. Attendere 30 secondi per lasciar riposare il motore e lasciar raffreddare l'accessorio tritatutto in metallo prima di proseguire.
- Per ottenere un effetto a intermittenza, ruotare il contenitore avanti e indietro accendendo e spegnendo il motore.
- Una volta terminato di frullare, attendere qualche secondo perché le lame smettano di ruotare prima di sollevare il gruppo contenitore dalla base del motore.
- Capovolgere il contenitore e lasciare che la miscela ottenuta coli dalle lame per qualche secondo prima di rimuoverle. Tenere l'elettrodomestico dalla ghiera delle lame e ruotare in senso antiorario per rimuoverle.
- Per sicurezza, spegnere la base del motore e scollegare l'elettrodomestico una volta terminato di utilizzarlo.
- L'accessorio tritatutto funziona in modo simile ai tumbler. Fissare le lame allo stesso modo e tritare con un'azione continua o con un effetto a intermittenza, come descritto sopra.
- Se si trita per più di 30 secondi, la superficie del contenitore per tritare in acciaio inossidabile potrebbe diventare troppo calda al tatto. Staccare dalla base afferrando la ghiera di plastica.

### SISTEMA DI PROTEZIONE DA SOVRACCARICO

- Il frullatore è dotato di un sistema di reset automatico in caso di sovraccarico, per impedire che il motore sia danneggiato da carichi eccessivi o continui. L'improvviso arresto del frullatore durante il funzionamento potrebbe essere dovuto all'attivazione del dispositivo di protezione.
- Rimuovere il contenitore, scollegare l'apparecchio e lasciarlo raffreddare per almeno 30 minuti. Non riposizionare il gruppo contenitore mentre l'elettrodomestico si raffredda, poiché il dispositivo di protezione potrebbe reimpostarsi e azionare improvvisamente il frullatore.
- L'azionamento del dispositivo di protezione indica che l'elettrodomestico è stato caricato eccessivamente o è stato utilizzato troppo a lungo senza pause. Ridurre la quantità di ingredienti utilizzata o lasciar trascorrere più tempo tra un utilizzo e l'altro per evitare che ciò si verifichi di nuovo. Questo contribuirà a preservare la durata del motore.
- Il segno MAX è in genere un buon indicatore per evitare carichi eccessivi; tuttavia alcune combinazioni di ingredienti particolarmente dense potrebbero ugualmente sottoporre il motore a sforzi. Se il motore appare sotto sforzo o se sembra funzionare troppo lentamente, utilizzare l'elettrodomestico solo per 10 secondi alla volta o ridurre la quantità di ingredienti utilizzata. L'aggiunta di più liquidi può anche aiutare ad ammorbidire le miscele dense.



## Manutenzione e pulizia

Per motivi di sicurezza, scollegare il cavo di alimentazione dalla presa di corrente dopo l'uso.

### Tumbler e coperchi

Per mantenere puliti tumbler e coperchi, evitare che vi si secchino residui di alimenti. Seguire questi passaggi il prima possibile dopo l'uso:

- Sciacquare e rimuovere la maggior parte dei residui dalle lame, dal contenitore e dai coperchi.
- Lavare a mano in acqua tiepida con sapone, usando un detergente liquido delicato e una spugna non abrasiva.

### Base del motore

Pulire la base del motore con un panno morbido umido, quindi asciugarla a fondo. Rimuovere eventuali residui di alimenti dal cavo di alimentazione.

### Prodotti per la pulizia

Non utilizzare spugnette abrasive o detersivi con particelle abrasive sulla base del motore o sui contenitori poiché tali prodotti possono rigare le superfici. Utilizzare solo acqua tiepida con sapone e un panno morbido.

### Pressurizzazione

I contenitori possono essere sciacquati aggiungendo acqua fredda, inserendo le lame e azionando il frullatore o scuotendo a mano per 10 secondi.

**IMPORTANTE:** L'acqua calda e/o i detersivi possono creare pressione nel contenitore.

Quando si sciacqua il contenitore inserendo le lame e azionando il frullatore o scuotendo a mano, non aggiungere acqua bollente o calda, poiché il vapore prodotto può creare una pressione pericolosa.

Evitare di aggiungere detersivi, poiché la schiuma prodotta si espanderà creando pressione.

### Lavastoviglie

I contenitori, i coperchi e il gruppo lame sono lavabili in lavastoviglie solo nel ripiano superiore.

### Macchie e odori persistenti

Gli alimenti con odori forti quali l'aglio, il pesce e alcuni ortaggi come le carote possono lasciare tracce di odore o macchie sulle lame, nel contenitore o sul coperchio.

Per rimuoverle, riempire il contenitore con acqua tiepida e sapone fino al segno MAX. Lasciar riposare per 5 minuti. Quindi lavare con un detergente delicato e acqua calda, risciacquare bene e asciugare a fondo. Riporre i contenitori senza coperchio.

### Agrumi

L'esposizione agli oli degli agrumi può ridurre la trasparenza e la durata dei contenitori Tritan. Dopo il lavaggio con detergente, sciacquare a fondo i contenitori e metterli subito ad asciugare. Non lasciare in ammollo se sono stati frullati agrumi.

### Conservazione

Riporre il frullatore in posizione verticale, con i contenitori e le lame montati sulla base del motore o riposti accanto alla base stessa.

Non conservare con il contenitore orientato sulla posizione ON, poiché ciò significa che il motore è attivo e si accenderà immediatamente quando l'elettrodomestico sarà collegato alla presa di alimentazione.



## Risoluzione dei problemi

---

### Il motore non si avvia o la lama non ruota

- Verificare che la spina sia inserita correttamente nella presa di alimentazione.
- Potrebbe essere entrato in funzione il sistema di protezione da sovraccarico (vedere di seguito).

---

### Il frullatore si è fermato all'improvviso durante il funzionamento

- Il frullatore dispone di un sistema di protezione da sovraccarico che evita il danneggiamento del motore. Il sistema potrebbe essersi attivato. Scollegare il frullatore dalla presa di alimentazione e lasciare raffreddare il motore per 30 minuti. Una volta raffreddato, è possibile tornare a utilizzare l'elettrodomestico come di consueto.
- È consigliabile frullare quantità di ingredienti più piccole o tagliare gli ingredienti in pezzi più piccoli. Consultare la sezione "Sistema di protezione da sovraccarico" per informazioni più dettagliate.

---

### Presenza di grumi o ingredienti non frullati in maniera omogenea

- Questa situazione può verificarsi quando si frulla una quantità eccessiva di ingredienti in un'unica soluzione. Introdurre una quantità inferiore e, se necessario, lavorare in più fasi.
- È possibile che i pezzi degli ingredienti da frullare siano troppo grandi. Tagliarli in pezzi più piccoli. Per risultati ottimali, i pezzi degli ingredienti non devono superare i 2 cm di larghezza.

---

### Gli ingredienti si attaccano alle lame e al contenitore

- È possibile che la miscela sia troppo densa. Aggiungere più liquido e/o usare l'elettrodomestico creando l'effetto a intermittenza.
- 



## Garanzia

### GARANZIA LIMITATA DI 2 ANNI

Sage Appliances offre una garanzia per l'utilizzo domestico di questo prodotto in specifiche aree geografiche, per 2 anni dalla data di acquisto. La garanzia copre eventuali malfunzionamenti causati da difetti di fabbricazione o dei materiali. Durante il periodo coperto dalla garanzia, Sage Appliances sarà tenuta a riparare, sostituire o rimborsare l'importo corrispondente ai prodotti difettosi (a sola discrezione di Sage Appliances).

Tutti i diritti di garanzia previsti dalla legislazione nazionale applicabile verranno rispettati e non possono essere annullati dalla presente garanzia. Per i termini e le condizioni complete della garanzia e per istruzioni su come inviare una richiesta di risarcimento, visitare il sito [www.sageappliances.com](http://www.sageappliances.com).

*the Boss To Go™ Plus*



ES GUÍA DEL USUARIO

**Sage®**



## Índice

- 2 Medidas de seguridad importantes
- 7 Componentes
- 9 Ensamblaje
- 10 Funciones
- 11 Cuidado y limpieza
- 12 Resolución de problemas
- 12 Garantía

## **SAGE® RECOMIENDA SEGURIDAD ANTE TODO**

**En Sage® nos preocupa mucho la seguridad. Para el diseño y la fabricación de nuestros productos de consumo tenemos en cuenta antes que nada la seguridad de nuestros clientes, como tú. También te rogamos que actúes cuidadosamente al usar cualquier electrodoméstico y que tomes las precauciones siguientes.**

## **MEDIDAS DE SEGURIDAD IMPORTANTES**

**LEE TODAS LAS INSTRUCCIONES ANTES DEL USO Y GUÁRDALAS PARA PODER CONSULTARLAS EN EL FUTURO.**

- Hay una versión de este documento disponible en [sageappliances.com](http://sageappliances.com) para descargar.
- Antes de usar el producto por primera vez, asegúrate de que la potencia eléctrica de la toma de corriente coincida con la que figura en la etiqueta en la base del electrodoméstico.
- Retira y desecha de forma apropiada los materiales de embalaje antes del primer uso.
- Para evitar riesgos de asfixia de niños pequeños, desecha correctamente la cubierta protectora del enchufe.
- Este electrodoméstico es solo para uso doméstico. No se debe utilizar para fines distintos de su uso previsto. No se debe utilizar en vehículos o embarcaciones en movimiento. No se debe utilizar al aire libre. El uso inapropiado podría causar lesiones.
- Desenrolla completamente el cable de alimentación antes de usar el electrodoméstico.

- Coloca el aparato sobre una superficie estable, resistente al calor, nivelada y seca. No lo pongas muy cerca del borde ni cerca de una fuente de calor (por ejemplo, una placa de cocina eléctrica, un quemador de gas o un horno).

**Abrir un vaso presurizado puede provocar salpicaduras de los ingredientes, o puede causar quemaduras o escaldaduras si el contenido está caliente. Para minimizar el riesgo de que esto ocurra, sigue siempre las siguientes instrucciones:**

- Nunca batas ingredientes calientes o tibios. Detén el proceso de batido si el contenido se calienta al batirlo.
- Nunca batas ingredientes durante más de 1 minuto. Batir durante más de 1 minuto puede provocar que los ingredientes se calienten y el vapor puede hacer que el vaso se presurice.
- Nunca intentes desenroscar la cuchilla de la base del vaso cuando éste se presurice debido a la acumulación de vapor. Deja que el vaso se enfríe a temperatura ambiente antes de desenroscar cuidadosamente la cuchilla.
- Nunca batas un líquido carbonatado, lavavajillas o cualquier ingrediente que pueda expandirse o generar un gas.
- Nunca llenes el vaso más allá de la capacidad máxima indicada.
- Si se produce una fuga durante el batido, detén inmediatamente el batido y desenchufa la unidad de la toma de corriente. Comprueba que el vaso no esté lleno más allá del nivel máximo y que no haya daños en el sello o en el vaso. Limpia la fuga con una toalla seca y atornilla el vaso firmemente al mecanismo de batido antes de reanudar el batido.
- La vibración durante el funcionamiento podría hacer que el electrodoméstico se mueva.
- Evita que el cable de alimentación sobresalga del borde de una encimera o una mesa, entre en contacto con superficies calientes o se enrede.
- Antes de limpiar, mover o guardar el electrodoméstico, asegúrate siempre de que esté APAGADO y desenchufado de la toma de corriente, y de que se haya enfriado tras el uso.
- Cuando no utilices el electrodoméstico, debe estar APAGADO (en la posición off) y desenchufado de la toma de corriente.

- No lo utilices si el cable de alimentación, el enchufe o el electrodoméstico propiamente dicho están dañados. Ante cualquier daño o si se requiere algún tipo de mantenimiento (que no sea la limpieza), ponte en contacto con el servicio de atención al cliente de Sage o visita [sageappliances.com](http://sageappliances.com).
- Cualquier tarea de mantenimiento que no sea de limpieza debe realizarla un Centro de servicio autorizado de Sage®.
- No permitas que los niños jueguen con este electrodoméstico.
- La limpieza del electrodoméstico no debe ser realizada por niños menores de 8 años, ni por niños mayores sin la supervisión de un adulto.
- El electrodoméstico y el cable deben mantenerse fuera del alcance de los niños menores de 8 años.
- Se recomienda la instalación de un interruptor diferencial para ofrecer seguridad adicional al usar todos los electrodomésticos. Se recomienda usar interruptores de seguridad con una corriente de funcionamiento nominal de no más de 30 mA. Solicita asesoramiento profesional a un electricista.
- Asegúrate siempre de que el aparato esté correctamente ensamblado antes de usarlo. El aparato no funcionará a menos que esté correctamente ensamblado.
- No utilices el electrodoméstico sobre el escurridor del fregadero.
- Mantén las manos, el pelo, la ropa y utensilios como espátulas y otros alejados de las partes móviles o giratorias durante el uso.
- No utilices el aparato para fines que no sean la preparación de alimentos y bebidas.
- Para evitar el riesgo de que el electrodoméstico se ponga en funcionamiento por sí solo debido a un restablecimiento involuntario de la protección de sobrecarga, no acoples ningún dispositivo de conmutación externo (por ejemplo, un temporizador) ni conectes el electrodoméstico a un circuito capaz de encenderlo/apagarlo.
- Lee todas las instrucciones antes del uso y guárdalas para poder consultarlas en el futuro.
- El electrodoméstico puede ser utilizado por personas con discapacidades físicas o mentales, o sin experiencia ni conocimientos de uso, siempre y cuando reciban supervisión o instrucciones para el uso



seguro del electrodoméstico y comprendan los riesgos implicados.

- Este electrodoméstico no debe ser utilizado por niños.
- Supervisa el electrodoméstico en todo momento mientras esté en funcionamiento.
- Deja que el motor repose durante 1 minuto entre usos.
- No coloques ninguna parte del electrodoméstico en el microondas.
- Ten cuidado al manipular y limpiar las cuchillas, ya que son muy afiladas. El mal manejo de las cuchillas puede causar lesiones.
- Evita poner la taza o la jarra en la base del motor mientras el motor siga girando.
- No lo hagas funcionar sin ingredientes en la taza o jarra.
- Nunca intentes hacerlo funcionar con cuchillas dañadas, o con utensilios, o cualquier objeto extraño dentro de la taza o jarra.
- No coloques la taza o la jarra en temperaturas extremas de calor o frío, por ejemplo, colocar una jarra fría en agua caliente, o viceversa.
- Las cuchillas deben estar firmemente aseguradas a la taza antes de su operación para asegurar que el contenido interno no se escape o rocíe.
- Nunca intentes hacer funcionar o colocar el juego de cuchillas en la base del motor sin la taza en su sitio.
- No llenes la taza más allá de la marca de nivel MAX ya que esto causará que el motor se esfuerce bajo una carga pesada y puede provocar una posible fuga. También reducirá el rendimiento de batido. Ten en cuenta que algunas mezclas aumentan de volumen al batirlas.
- Una carga pesada se define según la carga especificada por la norma de seguridad del aparato (el vaso grande lleno hasta el nivel máximo indicado con una mezcla que comprende dos partes en masa de zanahorias en cubitos remojados y tres partes de agua). Cualquier carga equivalente a esta o más pesada no debe batirse durante más de 10 segundos a la vez. Ten en cuenta que ninguna de las recetas suministradas con este producto se considera más pesada que esta carga.
- El accesorio para moler solo se puede utilizar con ingredientes secos.
- Los ingredientes duros como la corteza de casia, el anís estrellado, el clavo de olor entero y los granos de maíz

seco no deben batirse, ya que pueden dañar las cuchillas.



Este símbolo indica que el electrodoméstico no debe desecharse con la basura doméstica normal. Debe llevarse a un centro de recogida de residuos designado por las autoridades locales para ese fin, o a una empresa que preste ese servicio. Para obtener más información, ponte en contacto con los servicios municipales.

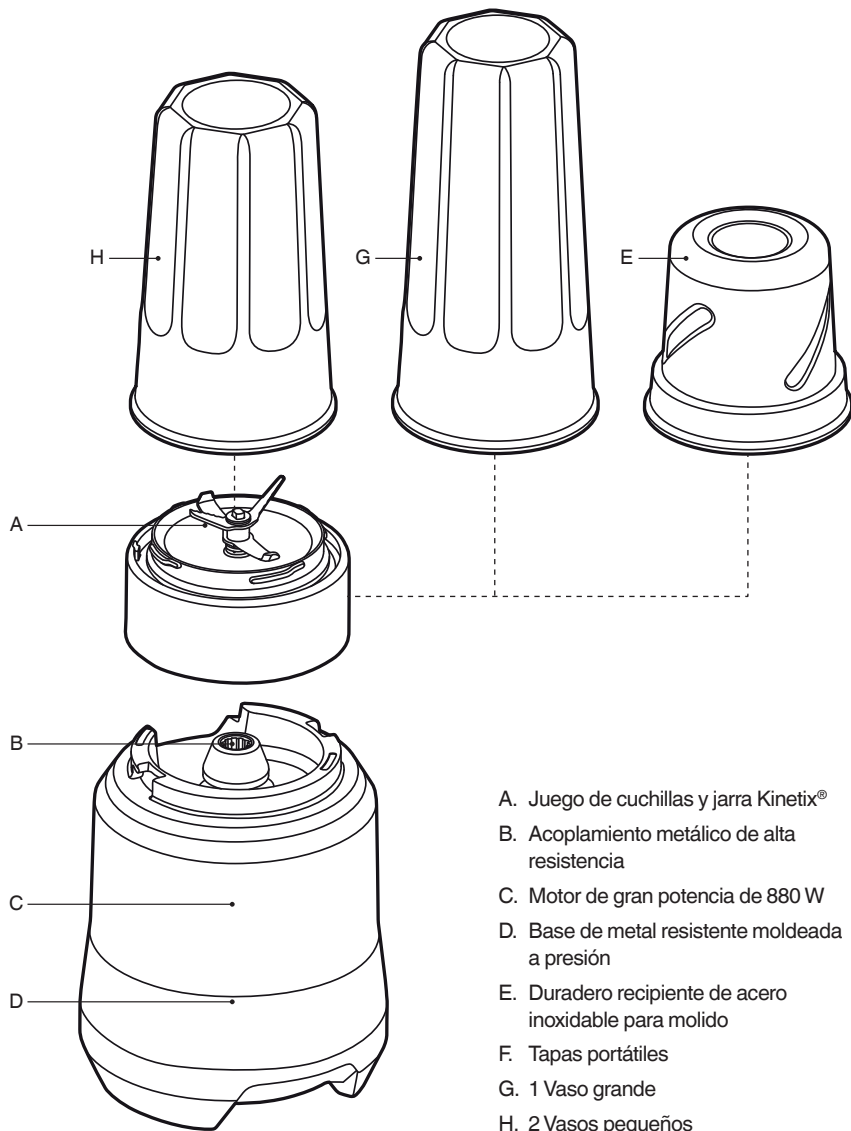


Para evitar descargas eléctricas, no sumerjas el enchufe, el cable de alimentación ni el electrodoméstico en agua ni otros líquidos.

## **GUARDA ESTAS INSTRUCCIONES**

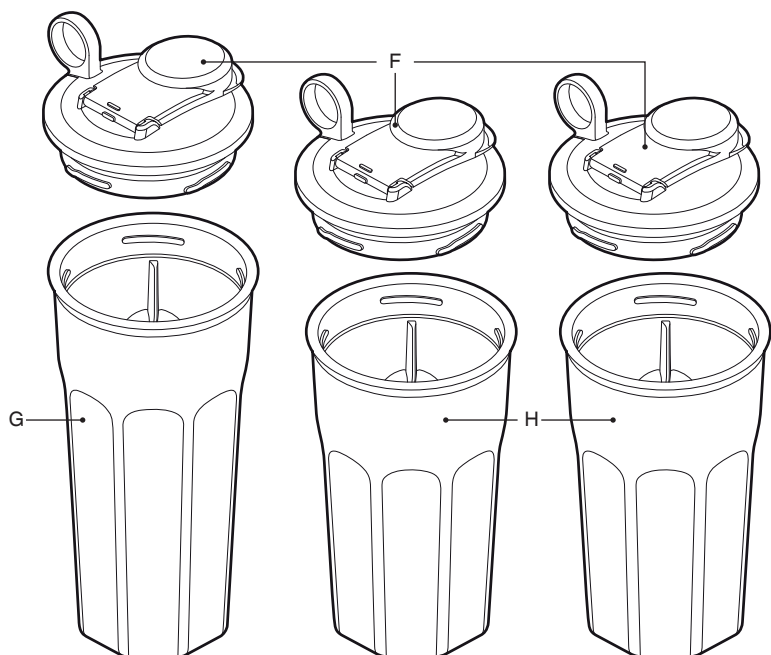


## Componentes



- A. Juego de cuchillas y jarra Kinetix®
- B. Acoplamiento metálico de alta resistencia
- C. Motor de gran potencia de 880 W
- D. Base de metal resistente moldeada a presión
- E. Duradero recipiente de acero inoxidable para molido
- F. Tapas portátiles
- G. 1 Vaso grande
- H. 2 Vasos pequeños

**CE** Datos técnicos  
220-240V ~ 50-60Hz 880W



## COPOLIÉSTER EASTMAN TRITAN™

- Las tazas de vaso están hechas de copoliéster Eastman Tritan™, que es un polímero resistente y sin BPA que se utiliza para fabricar productos para el hogar que pueden resistir el uso extremo y la limpieza repetida en el lavavajillas. Los productos fabricados con Tritan™ son resistentes a los impactos y a los astillamientos y se mantienen limpios y duraderos incluso después de cientos de ciclos en el lavavajillas.



# Ensamblaje

## ANTES DEL PRIMER USO

- Antes de usar la batidora de vaso por primera vez, retira cualquier material de embalaje y etiquetas promocionales.
- Ten cuidado al manipular las cuchillas, ya que son extremadamente afiladas.
- Lava los vasos, las tapas, el juego de cuchillas y los accesorios en agua tibia y jabón con un paño suave. Enjuaga y seca bien todo. Todas las piezas (excepto la base del motor) se pueden lavar en el lavavajillas, en el estante superior.
- La primera vez que uses tu batidora de vaso, puede que notes un olor que proviene del motor. Es normal y se disipará con el uso.

## ENSAMBLAJE

1. Retira las cuchillas y coloca la taza con la abertura hacia arriba.
2. Añade los ingredientes evitando el llenado más allá de la línea MAX.
3. Fija el juego de cuchillas en su sitio con un cuarto de vuelta en el sentido de las agujas del reloj. Asegúrate de que el collar del juego de cuchillas esté bien colocado antes de invertir la taza para que batir.



# Funciones

## FUNCIONAMIENTO

- La batidora de vaso solo funcionará cuando las cuchillas y la taza estén correctamente ensambladas. De este modo, se activa el bloqueo de seguridad y permite que el motor funcione.
- Cuando el juego de taza y cuchillas esté correctamente ensamblado con los ingredientes en su interior, invierte la taza y colócala en la base del motor utilizando los gráficos de alineación.
- Para batir, sujeta firmemente el juego de la taza y gíralo en el sentido de las agujas del reloj en la base hasta la posición ON.
- Cuando se alcance la consistencia deseada, gira el vaso en sentido contrario a las agujas del reloj para liberar y desconectar el motor.
- No batas durante más de 60 segundos seguidos a la vez. Deja que el motor repose durante 2 minutos antes de continuar.
- No muelas continuamente durante más de 30 segundos a la vez. Deja que el motor descansa y el accesorio de molido metálico se enfríe durante 30 segundos antes de continuar.
- Los ingredientes pueden impulsarse girando la taza dentro de las posiciones de bayoneta, lo que hará que el motor se encienda y se apague.
- Cuando acabes de batir, espera unos segundos para que las cuchillas dejen de girar antes de levantar el juego de la taza de la base del motor.
- Invierte la taza y deja que los ingredientes salgan de las cuchillas durante unos segundos antes de desenroscarlas. Sujétala por el collar de las cuchillas y gírala en sentido contrario a las agujas del reloj para extraerla.
- Por seguridad, desenchufa cuando hayas acabado de batir.
- El dispositivo de molido funciona de forma similar a los vasos. Fija las cuchillas de la misma manera y utiliza una acción pulsante o un batido continuo, como se describió anteriormente.
- La superficie de la taza de molido de acero inoxidable puede calentarse demasiado para tocarla si el molido dura más de 30 segundos. Desmonta de la base sujetando el collar de plástico.

## SISTEMA DE PROTECCIÓN DE SOBRECARGA

- La batidora de vaso está equipada con un protector de sobrecarga de reajuste automático interno para proteger el motor de daños bajo cargas pesadas o continuas. Si la batidora de vaso se detiene repentinamente durante el uso, es posible que se haya activado este protector.
- Retira la taza, desenchufa y deja enfriar durante al menos 30 minutos. No vuelvas a colocar el juego de taza mientras se enfría, ya que el protector puede reajustarse y hacer que se ponga en marcha inesperadamente.
- La activación del protector indica que se está cargando en exceso el extractor o que se está realizando un uso continuo excesivo. Reduce la cantidad de ingredientes utilizados o deja más tiempo entre batidos para evitar que vuelva a suceder, lo que ayudará a preservar la vida útil del motor.
- La línea MAX suele ser un buen indicador para evitar cargas excesivamente pesadas, sin embargo, es posible que algunas combinaciones de ingredientes especialmente densas sigan forzando el motor. Si el motor parece estar haciendo esfuerzos o funcionando lentamente, hazlo funcionar solo durante 10 segundos a la vez, o reduce la cantidad de ingredientes utilizados. Añadir más líquido también puede ayudar a aflojar las mezclas densas.



## Cuidado y limpieza

Desconecta el cable de alimentación de la toma de corriente después de su uso por razones de seguridad.

### Tazas y tapas de vasos

Para mantener tus tazas y tapas limpias, evita permitir que los residuos de alimentos se sequen en ellas. Sigue estos pasos tan pronto como sea posible después de su uso:

- Enjuaga las cuchillas, la taza y la tapa para eliminar los residuos.
- Lava a mano en agua tibia y jabonosa con un lavavajillas líquido suave y una esponja no abrasiva.

### Base del motor

Para limpiar la base del motor, límpiala con un paño suave y húmedo y sécala bien. Limpia cualquier exceso de partículas de alimentos del cable de alimentación.

### Agentes limpiadores

No utilices estropajos o limpiadores abrasivos en la base del motor o en las tazas, ya que pueden rayar la superficie. Usa solo agua jabonosa tibia con un paño suave.

### Presurización

Las tazas se pueden enjuagar añadiendo agua fría, colocando cuchillas y batiendo o agitando a mano durante 10 segundos.

**IMPORTANTE:** Existe un riesgo de presurización por agua caliente o lavavajillas.

Al enjuagar acoplando las cuchillas y batir o agitar, no añadas nunca agua caliente, ni siquiera tibia, ya que el vapor producido puedes crear una presurización peligrosa.

No añadas lavavajillas, ya que la espuma producida se expandirá y puede provocar presurización.

### Lavavajillas

Las tazas, tapas y el juego de cuchillas se pueden lavar en el lavavajillas, en el estante superior.

### Manchas y olores de alimentos persistentes

Los alimentos de olor fuerte como el comino y el cilantro, y algunas verduras como las zanahorias pueden dejar un olor o manchar las cuchillas, la taza o la tapa.

Para quitarlo, vierte agua tibia jabonosa y llena hasta la marca MAX. Deja en remojo durante 5 minutos. Luego lava con un lavavajillas suave y agua tibia, enjuaga bien y seca bien. Guarda las tazas sin las tapas puestas.

### Cítricos

La exposición al aceite de cítricos puede afectar a la claridad y longevidad de las tazas Tritan. Después de lavar con lavavajillas, enjuaga con agua corriente y deja secar inmediatamente. No la dejes en remojo si se han batido cítricos.

### Almacenamiento

Guarda en posición vertical con las tazas y las cuchillas ensambladas y apoyadas en la base del motor, o a su lado. No debe guardarse con la taza girada a la posición ON, ya que esto significa que el motor está conectado y se encenderá inmediatamente cuando se enchufe a la toma de corriente.



## Resolución de problemas

**El motor no se pone en marcha o la cuchilla no gira**

- Comprueba que la clavija de alimentación esté correctamente insertada en la toma de corriente.
- Puede que se haya activado el sistema de protección de sobrecarga (véase a continuación).

**La batidora de vaso se detuvo repentinamente mientras estaba en uso**

- Este extractor tienes protección de sobrecarga, que puede haberse activado, para evitar daños al motor. Desenchufa, retira la taza y deja que el motor se enfríe durante 30 minutos. Cuando se haya enfriado, podrás volver a utilizarla como siempre.
- Recomendamos batir en lotes más pequeños o cortar los ingredientes en piezas más pequeñas. Consulta la sección Sistema de protección de sobrecarga para obtener información detallada.

**Los alimentos está grumosos o batidos de manera irregular**

- Esto puede suceder cuando se baten demasiados alimentos a la vez. Prueba una cantidad más pequeña y trabaja en lotes si es necesario.
- Es posible que los ingredientes sean demasiado grandes. Intenta cortarlos en trozos más pequeños. Para obtener los mejores resultados, los ingredientes deben estar en trozos de no más de 2 cm.

**Los alimentos se pegan a la cuchilla y a la taza**

- Es posible que la mezcla sea demasiado espesa. Añade más líquido o realiza impulsos con la batidora de vaso.



## Garantía

### GARANTÍA LIMITADA DE 2 AÑOS

La garantía de Sage Appliances cubre este producto para uso doméstico en territorios específicos durante 2 años a partir de la fecha de compra contra fallos causados por mano de obra y materiales defectuosos. Durante el plazo de la garantía, Sage Appliances reparará o sustituirá productos defectuosos (a criterio de Sage Appliances).

Todos los derechos de garantía en virtud de la legislación nacional vigente serán respetados y no se verán afectados por nuestra garantía. Para consultar los términos y condiciones completos de la garantía, así como instrucciones sobre cómo hacer una reclamación, visite [www.sageappliances.com](http://www.sageappliances.com)



*the Boss To Go™ Plus*



PT MANUAL DO UTILIZADOR

**Sage**®



## Índice

- 2 A Sage® recomenda a segurança como máxima prioridade
- 7 Componentes
- 8 Montagem
- 9 Funções
- 10 Cuidados e limpeza
- 11 Resolução de problemas
- 12 Garantia

## A SAGE® RECOMENDA A SEGURANÇA COMO MÁXIMA PRIORIDADE

Na Sage®, temos a máxima preocupação com a segurança. Concebemos e produzimos produtos para o consumidor principalmente com a sua segurança, o nosso prezado cliente, em mente. Além disso, pedimos que tenha cuidado quando utilizar qualquer aparelho elétrico e que cumpra as precauções seguintes.

## CUIDADOS IMPORTANTES

### LEIA TODAS AS INSTRUÇÕES ANTES DE UTILIZAR E GUARDE-AS PARA CONSULTA FUTURA

- Está disponível uma versão transferível deste documento em [sageappliances.com](http://sageappliances.com)
- Antes de utilizar pela primeira vez, certifique-se de que a sua fonte de alimentação corresponde à indicada na etiqueta na parte inferior do aparelho.
- Remova e elimine todos os materiais da embalagem antes da primeira utilização.
- Para eliminar o risco de asfixia para as crianças, elimine de forma segura a cobertura de proteção instalada na ficha de alimentação.
- Este aparelho destina-se apenas a utilização doméstica. Não utilize o aparelho para outra função diferente da utilização a que se destina. Não utilize em veículos em movimento ou barcos. Não utilize no exterior. A utilização incorreta pode causar ferimentos.
- Desenrole completamente o cabo de alimentação antes de utilizar.
- Coloque o aparelho numa superfície plana, estável, resistente ao calor e seca,

afastado da extremidade e não utilize próximo de uma fonte de calor, como uma placa térmica, forno ou bico de gás.

**Abrir o liquidificador em pressão pode salpicar os ingredientes ou causar queimaduras/escaldões se os conteúdos estiverem quentes. Para minimizar o risco de isto acontecer, siga sempre as seguintes instruções:**

- Nunca misture ingredientes quentes ou aquecidos. Pare o processo de mistura se o conteúdo aquecer devido ao processo de mistura.
- Nunca misture qualquer ingrediente durante mais de 1 minuto. Misturar durante mais de 1 minuto pode causar o aquecimento dos ingredientes e o vapor pode aumentar a pressão no copo.
- Nunca tente desaparafusar a lâmina da base do copo quando este estiver com pressão devido à acumulação de vapor. Deixe o copo arrefecer até à temperatura ambiente antes de desaparafusar cuidadosamente a lâmina.
- Nunca misture líquidos gaseificados, detergente ou qualquer ingrediente que possa expandir-se ou criar gás.
- Nunca encha o liquidificador acima da capacidade máxima indicada.
- Se ocorrer alguma fuga durante a mistura, pare imediatamente o liquidificador e retire a ficha da tomada. Certifique-se de que o copo do liquidificador não se encontra cheio acima do nível máximo e que não existem quaisquer danos na junta ou no copo. Limpe a fuga com um pano seco e aperte o copo firmemente no mecanismo do liquidificador antes de continuar a misturar.
- A vibração durante a operação pode fazer com que o aparelho se mova.
- Não deixe o cabo de alimentação pendurado sobre a extremidade de uma mesa ou bancada, em contacto com superfícies quentes nem permita que o cabo se enrosque.
- Certifique-se sempre de que o aparelho está desligado (OFF), e que a ficha foi retirada da tomada elétrica e arrefeceu totalmente antes de o limpar, tentar mover ou armazenar.
- Desligue sempre o aparelho, desligue o cabo da tomada de alimentação e desligue a tomada de alimentação quando não estiver em utilização.
- Não utilize o aparelho se o cabo de alimentação, ficha ou o próprio aparelho estiverem danificados de qualquer maneira.

Contacte o serviço de atendimento ao cliente da Sage ou acesse [sageappliances.com](http://sageappliances.com) se o aparelho estiver danificado ou for necessária qualquer tarefa de manutenção que não a de limpeza.

- Qualquer tarefa de manutenção que não a de limpeza deve ser realizada por um centro de assistência autorizado pela Sage®.
- As crianças não devem brincar com o aparelho.
- As tarefas de limpeza do aparelho não devem ser executadas por crianças exceto caso tenham mais de 8 anos de idade e tenham supervisão.
- O aparelho e o cabo devem ser mantidos fora do alcance das crianças com idade inferior a 8 anos.
- Recomendamos a instalação de um comutador de segurança da corrente residual para fornecer segurança adicional ao utilizar todos os aparelhos elétricos.

Recomendamos a utilização de comutadores de segurança com uma corrente operacional nominal não superior a 30 mA. Consulte um electricista para obter aconselhamento profissional.

- Antes de utilizar, certifique-se sempre de que o aparelho foi montado corretamente.

O aparelho só irá funcionar se estiver montado corretamente.

- Não opere o aparelho sobre uma pia de cozinha.
- Mantenha as mãos, dedos, cabelo, vestuário bem como espátulas e outros utensílios afastados das peças móveis ou rotativas durante o funcionamento.
- Não utilize o aparelho para outra função que não a preparação de alimentos e/ou bebidas.
- Não ligue um dispositivo de comutação externo (como um temporizador) ou ligue o aparelho a um circuito que possa ligar e desligar regularmente o aparelho para evitar o possível risco do arranque do aparelho devido à reinicialização acidental da proteção contra sobrecarga.
- Leia cuidadosamente todas as instruções antes do funcionamento e guarde-as para consulta futura.
- O aparelho pode ser utilizado por pessoas com capacidades físicas ou mentais reduzidas ou com falta de experiência e conhecimento, mas apenas se tiverem supervisão ou receberem instruções relativas ao uso seguro do aparelho e compreenderem os perigos envolvidos.

- Este aparelho não deve ser utilizado por crianças.
- Não deixe o aparelho sem supervisão durante a utilização.
- Permita que o motor descanse 1 minuto entre cada utilização.
- Não coloque parte nenhuma do aparelho no forno micro-ondas.
- Exerça os devidos cuidados ao manusear e limpar as lâminas e discos visto que são muito afiados. A utilização incorreta das lâminas pode causar ferimentos.
- Evite colocar o copo ou a jarra na base do motor enquanto estiver a trabalhar.
- Não opere sem qualquer ingrediente no copo ou na jarra.
- Nunca tente operar com lâminas danificadas ou com utensílios ou objetos estranhos dentro do copo ou jarra.
- Não coloque o copo ou a jarra em calor ou frio extremo, por exemplo, colocando uma jarra fria em água quente, ou vice-versa.
- As lâminas devem estar fixas ao copo antes da operação para garantir que o conteúdo não sai ou salpica.
- Nunca tente operar ou colocar o conjunto de lâminas na base do motor sem o copo no devido lugar.
- Não encha o copo além da marca de nível MAX, pois isso fará com que o motor seja submetido a esforços e pode causar uma possível fuga. Irá reduzir também o desempenho da mistura. Note que algumas misturas aumentam de volume ao misturar.
- Uma carga pesada é definida de acordo com a carga especificada no padrão de segurança do aparelho (copo grande até ao nível máximo indicado com uma mistura de duas partes de cenouras em cubos ensopadas e 3 partes de água). Qualquer carga equivalente ou mais pesada não deve ser operada por mais de 10 segundos de cada vez. Note que nenhuma das receitas fornecidas com este produto é considerada mais pesada do que esta carga.
- O acessório de moagem/trituração é apenas para utilização com ingredientes secos.
- Ingredientes duros como casca de cássia, anis estrelado, cravo e grãos de milho seco não devem ser misturados, pois podem danificar as lâminas.



O símbolo apresentado indica que este aparelho não deve ser eliminado juntamente com os

resíduos domésticos normais. Deve ser encaminhado para um centro de recolha de resíduos da autoridade local designado para este fim ou um revendedor que forneça este serviço. Contacte a Câmara Municipal local para obter mais informações.

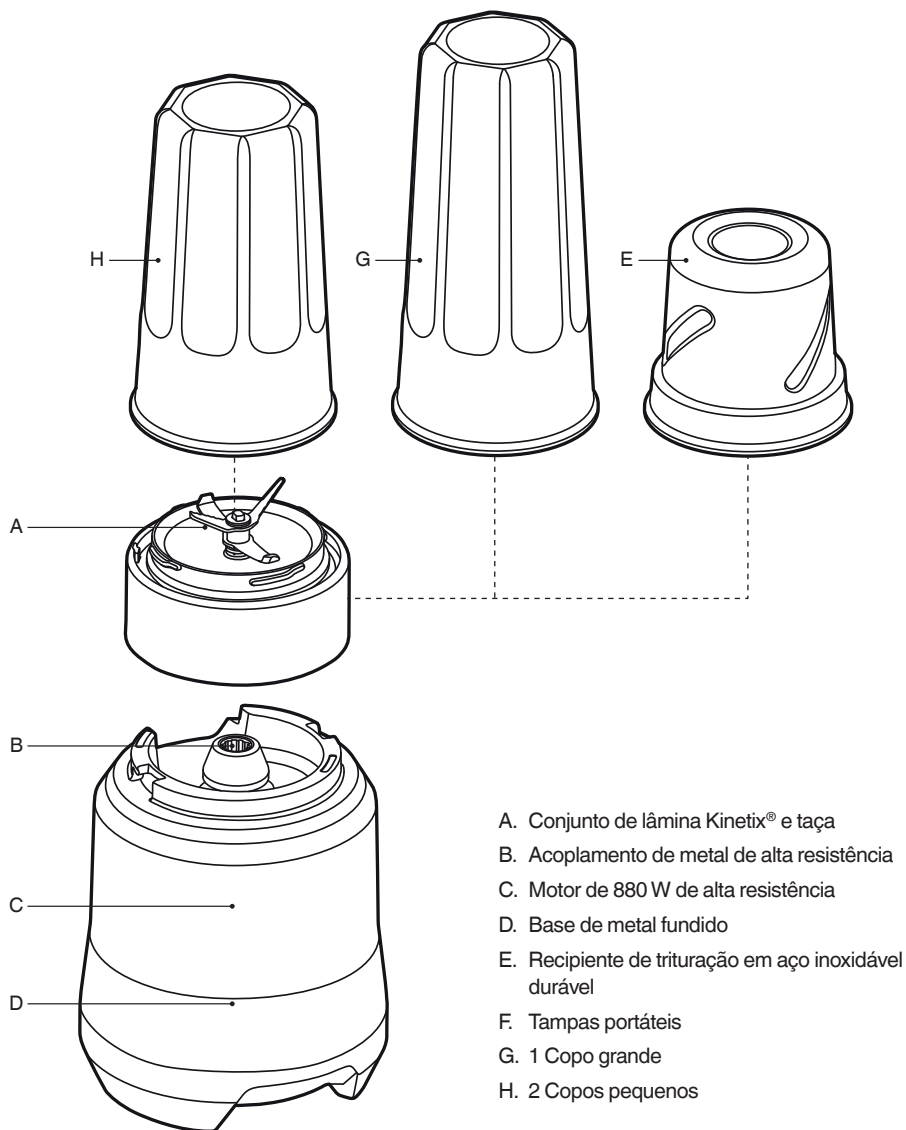


Não coloque a ficha elétrica, o cabo ou o aparelho dentro de água ou qualquer outro líquido para proteger contra choques elétricos.

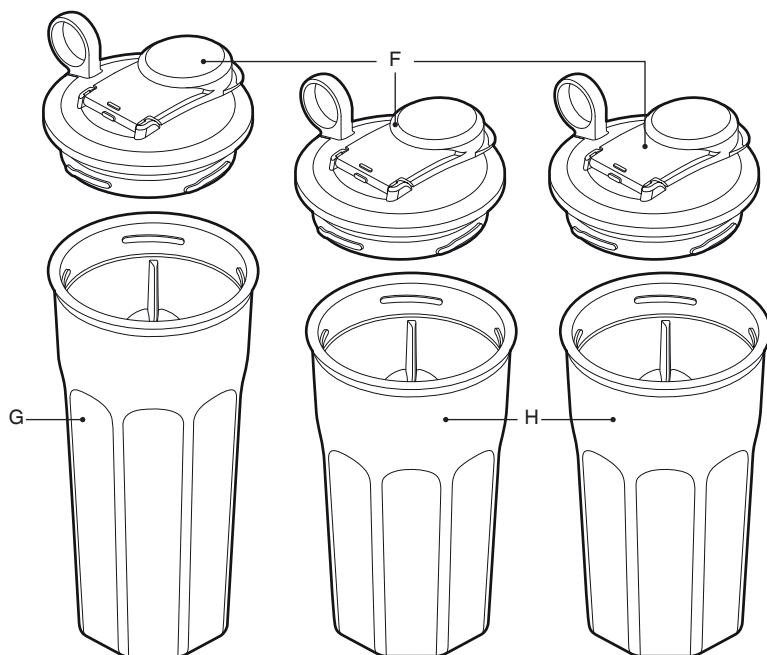
## **GUARDE ESTAS INSTRUÇÕES**



## Componentes



**CE** Informação de classificação  
 220-240V ~ 50-60Hz 880W



## COPOLIÉSTER EASTMAN TRITAN™

- Os copos são fabricados em copoliéster Eastman Tritan™, que é um polímero resistente, sem BPA, utilizado para fabricar produtos de utilidades domésticas que podem suportar a utilização extrema e a limpeza repetida na máquina de lavar louça. Os produtos feitos de Tritan™ são resistentes ao impacto e resistentes à rutura e permanecem limpos e duráveis mesmo após centenas de ciclos na máquina de lavar louça.



## Montagem

### ANTES DA PRIMEIRA UTILIZAÇÃO

- Remova qualquer material de embalagem e etiquetas promocionais antes de utilizar o liquidificador pela primeira vez.
- Exerça os devidos cuidados ao manusear as lâminas visto que são extremamente afiadas.
- Lave o copo, as tampas e as lâminas com água morna e detergente e um pano macio. Enxague e deixe secar devidamente. Todas as peças (exceto a base do motor) podem ser lavadas na máquina de lavar louça, na prateleira superior.

- É possível que o motor liberte odores quando utilizar o liquidificador pela primeira vez. Isto é normal e dissipa-se com a utilização.

### MONTAGEM

1. Remova as lâminas e posicione o copo com a abertura para cima.
2. Adicione ingredientes evitando exceder a linha MÁX.
3. Fixe o conjunto da lâmina no lugar com um quarto de volta no sentido dos ponteiros do relógio. Assegure-se que o anel do conjunto da lâmina está fixo no devido lugar antes de inverter o copo para misturar.





## Funções

### FUNCIONAMENTO

- O liquidificador apenas funcionará quando as lâminas e o copo estiverem corretamente montados. Isto engata o interbloqueio de segurança e permite o funcionamento do motor.
- Quando o conjunto do copo e da lâmina estiver montado corretamente e com ingredientes, inverta o copo e coloque na base do motor utilizando os gráficos de alinhamento.
- Para misturar, segure firmemente o conjunto do copo e rode no sentido dos ponteiros do relógio para a posição LIGADO.
- Quando a consistência desejada for atingida, rode o copo no sentido contrário ao dos ponteiros do relógio para libertar e desengatar o motor.
- Não misture continuamente durante mais de 60 segundos de cada vez. Permita que o motor descanse 2 minutos antes de continuar.
- Não moa/triture continuamente por mais de 30 segundos de cada vez. Deixe o motor descansar e o acessório de moagem de metal arrefecer durante 30 segundos antes de continuar.
- Os ingredientes podem ser pulsados rodando o copo nas posições de baioneta, que ligam e desligam o motor.
- Quando terminar de misturar, espere alguns segundos para que as lâminas parem de rodar antes de levantar o copo da base do motor.
- Inverta o copo e deixe os ingredientes escorrerem pelas lâminas por alguns segundos antes de as desenroscar. Segure pelo anel da lâmina e rode no sentido contrário ao dos ponteiros do relógio para remover.
- Por segurança, desligue a base do motor na parede e desconecte quando terminar de misturar.
- O acessório de trituração funciona de forma semelhante aos copos. Instale as lâminas da mesma maneira e utilize uma ação pulsante ou uma mistura contínua, como descrito acima.
- A superfície do copo de trituração de aço inoxidável pode ficar quente demais para ser tocada se trabalhar por mais de 30 segundos. Solte da base segurando o anel de plástico.

### SISTEMA DE PROTEÇÃO DE SOBRECARGA

- O liquidificador está equipado com um protetor de sobrecarga interno para proteger o motor de danos sob cargas pesadas ou contínuas. Se o liquidificador parar repentinamente durante a utilização, este protetor pode ter sido ativado.
- Retire o copo, desligue e deixe arrefecer durante pelo menos 30 minutos. Não substitua o conjunto do copo enquanto estiver a arrefecer, pois a proteção pode repor e iniciar inesperadamente.
- A ativação do protetor indica que o extrator está a ser carregado com muita carga ou com uma utilização contínua excessiva. Reduza a quantidade de ingredientes utilizados ou deixe mais tempo entre a mistura para evitar que aconteça novamente, o que ajudará a preservar a vida útil do motor.
- A linha MAX (máximo) normalmente é um bom indicador para evitar cargas excessivamente pesadas, no entanto, algumas combinações especialmente espessas de ingredientes ainda podem esforçar o motor. Se o motor parecer estar a esforçar-se ou a funcionar lentamente, opere apenas durante 10 segundos de cada vez ou reduza a quantidade de ingredientes utilizados. Adicionar mais líquido também pode ajudar a soltar misturas espessas.



## Cuidados e limpeza

Desligue a ficha do cabo de alimentação da tomada elétrica após a utilização por motivos de segurança.

### Copos e tampas

Para manter os copos e tampa limpos, evite que os alimentos sequem nas suas superfícies. Siga estes passos o mais depressa possível após a utilização:

- Enxague a maioria dos resíduos das lâminas, copos e tampas.
- Lave à mão com água morna limpa e detergente líquido suave e uma esponja não abrasiva.

### Base do motor

Limpe a base do motor com um pano suave e humedecido e, em seguida, seque-a cuidadosamente. Remova quaisquer resíduos de alimentos presentes no cabo de alimentação.

### Agentes de limpeza

Não utilize esfregões abrasivos ou produtos de limpeza abrasivos na base do motor ou no copo, visto que podem riscar a superfície. Utilize apenas água morna e detergente com um pano macio.

### Pressurização

Os copos podem ser enxaguados adicionando-se água fria, ligando as lâminas e misturando ou agitando manualmente por 10 segundos.

**IMPORTANTE:** Existe o risco de pressurização por água quente e/ou detergente.

Ao enxaguar instalando as lâminas e misturando/batendo, nunca adicione água quente ou morna, pois o vapor produzido pode criar uma pressurização perigosa.

Não adicione detergente, pois a espuma produzida irá espalhar-se e poderá causar pressurização.

### Máquina de lavar louça

Os copos, tampas e lâminas podem ser lavados na máquina de lavar louça, na prateleira superior.

### Resíduos de alimentos persistentes e odores

Alimentos com um cheiro forte tais como o cominho e coentros e alguns vegetais, como cenouras, podem deixar odores ou manchar as lâminas, copos ou tampas.

Para remover, coloque água morna com detergente até à marca MAX (Máx.). Deixe de molho durante 5 minutos. Lave então com água morna e detergente suave, enxague bem e deixe secar cuidadosamente. Armazene os copos sem as tampas.

### Citrinos

A exposição ao óleo cítrico pode afetar a claridade e a longevidade dos copos de Tritan. Depois de lavar em detergente, enxague com água limpa e deixe secar imediatamente. Não deixe de molho se os citrinos tiverem sido misturados.

### Armazenamento

Guarde o liquidificador na vertical com o copo misturador montado na base do motor, ou ao lado. Não armazene com o copo na posição LIGADO, pois significa que o motor está acionado e irá ligar imediatamente quando conectado ou ligado à tomada.



## Resolução de problemas

### O motor não arranca ou a lâmina não roda

- Verifique se a ficha do cabo de alimentação está inserida na tomada elétrica.
- Sistema de proteção de sobrecarga pode ter sido ativado (ver abaixo).

### O liquidificador parou subitamente enquanto estava a ser usado

- Este extrator tem uma proteção de sobrecarga para evitar danos ao motor, que pode ter sido ativado. Desconecte, remova o copo e deixe o motor arrefecer durante 30 minutos. Uma vez frio, será capaz de utilizar novamente como de costume.
- Recomendamos misturar partes mais pequenas ou cortar ingredientes em pedaços menores. Consulte a secção do Sistema de proteção de sobrecarga para mais informações.

### A comida está com grumos ou misturada irregularmente

- Isto pode acontecer quando está a ser misturada muita comida ao mesmo tempo. Tente menores quantidades e faça por partes, se necessário.
- Os ingredientes podem ser muito grandes. Tente cortar em pedaços mais pequenos. Para melhores resultados, os ingredientes devem estar cortados em pedaços não maiores do que 2 cm.

### O alimento cola na lâmina e no copo

- A mistura pode estar demasiado espessa. Tente adicionar mais líquidos e/ou pulsando a liquidificadora.



## Garantia

### GARANTIA LIMITADA DE 2 ANOS

A Sage Appliances fornece uma garantia para este produto para uso doméstico nos territórios especificados de 2 anos a partir da data de compra contra avarias provocadas por defeitos na mão-de-obra e nos materiais. Durante este período da garantia, a Sage Appliances irá reparar, substituir ou reembolsar qualquer produto defeituoso (sob o critério exclusivo da Sage Appliances).

Todos os direitos legais da garantia ao abrigo da legislação nacional aplicável serão respeitados e não serão afetados pela nossa garantia. Visite [www.sageappliances.com](http://www.sageappliances.com) para consultar os termos e condições completos da garantia, bem como as instruções sobre como efetuar uma reclamação.



## Garantia

### **GARANTIA LIMITADA DE 2 ANOS**

A Sage Appliances fornece uma garantia para este produto para uso doméstico nos territórios especificados de 2 anos a partir da data de compra contra avarias provocadas por defeitos na mão-de-obra e nos materiais. Durante este período da garantia, a Sage Appliances irá reparar, substituir ou reembolsar qualquer produto defeituoso (sob o critério exclusivo da Sage Appliances).

Todos os direitos legais da garantia ao abrigo da legislação nacional aplicável serão respeitados e não serão afetados pela nossa garantia. Visite [www.sageappliances.com](http://www.sageappliances.com) para consultar os termos e condições completos da garantia, bem como as instruções sobre como efetuar uma reclamação.

# *the Boss To Go™ Plus*

BPB620/SPB620



PL INSTRUKCJA OBSŁUGI

# Sage®



## Spis treści

- 2 Ważne zalecenia dotyczące bezpieczeństwa
- 6 Opis Twojego nowego urządzenia
- 8 Montaż Twojego nowego urządzenia
- 9 Obsługa Twojego nowego urządzenia
- 10 Konserwacja i czyszczenie
- 11 Rozwiązywanie problemów
- 12 Gwarantuje

## WAŻNE ZALECENIA DOTYCZĄCE BEZPIECZEŃSTWA

**W Sage® zdajemy sobie sprawę z wagi bezpieczeństwa. Projektujemy i produkujemy urządzenia przede wszystkim z troską o bezpieczeństwo użytkownika. Prosimy jednak o ostrożność i przestrzeganie podczas użytkowania urządzenia elektrycznego następujących zaleceń dotyczących bezpieczeństwa.**

## WAŻNE ZALECENIA

### **PODCZAS UŻYTKOWANIA URZĄDZEŃ ELEKTRYCZNYCH NALEŻY PRZESTRZEGAĆ PODSTAWOWYCH ZALECEŃ DOTYCZĄCYCH BEZPIECZEŃSTWA:**

- Pełny tekst instrukcji dostępny jest na stronach [sageappliances.com](http://sageappliances.com).
- Przed pierwszym użyciem upewnij się, że napięcie w gniazdku sieciowym odpowiada napięciu podanemu na tabliczce znamionowej na spodzie urządzenia.
- Przed pierwszym użyciem urządzenia usuń i w bezpieczny i ekologiczny sposób zutylizuj wszelkie materiały pakunkowe.
- Aby wykluczyć ryzyko uduszenia małych dzieci, usuń opakowanie ochronne wtyczki kabla sieciowego tego urządzenia i w bezpieczny sposób je zutylizuj.
- Urządzenie jest przeznaczone wyłącznie do użytku w domu. Pod żadnym pozorem nie używaj urządzenia do innych celów niż te, do których jest ono przeznaczone. Nie używaj tego urządzenia w poruszających się pojazdach ani na statkach. Nie należy korzystać z niego na dworze. W przeciwnym razie istnieje ryzyko powstania obrażeń.
- Przed użyciem rozwiń całkowicie kabel zasilania.
- Umieść urządzenie na stabilnej, równej i suchej powierzchni odpornej na działanie wysokiej temperatury, daleko od krawędzi blatu; nie umieszczaj urządzenia

- w pobliżu źródeł ciepła, takich jak kuchenki, piekarniki lub palniki gazowe.
- Drgania podczas użytkowania mogą spowodować niepożądane przesuwanie się urządzenia.
  - Nie przewieszaj kabla zasilającego przez krawędź stołu lub blatu roboczego. Zadbaj o to, aby nie dotykał gorących powierzchni ani się nie zaplątał.
  - Przed przesunięciem, demontażem, czyszczeniem lub przechowywaniem lub jeśli nie będziesz korzystać z urządzenia, upewnij się, że jest wyłączone, odłączone od sieci i ostygnięte.
  - Gdy nie będziesz korzystać z urządzenia, zawsze je wyłącz i odłącz kabel zasilający z gniazdka sieciowego.
  - Nie korzystaj z urządzenia, jeśli jest w jakikolwiek sposób uszkodzone lub jeśli uszkodzony jest kabel zasilający lub wtyczka. Naprawy i konserwację wykraczającą poza zwykłe czyszczenie należy powierzyć najbliższemu autoryzowanemu serwisowi Sage lub znaleźć pomoc na [sageappliances.com](http://sageappliances.com).
  - Wszelkie naprawy należy powierzyć najbliższemu autoryzowanemu serwisowi Sage.
  - Dzieciom nie wolno bawić się urządzeniem.
  - Czyszczenie i konserwację przeprowadzaną przez użytkownika można powierzyć dzieciom tylko w przypadku, że ukończyły 8 rok życia i są pod nadzorem.
  - Urządzenie i jego kabel zasilający należy przechowywać poza zasięgiem dzieci poniżej 8 roku życia.
  - Zaleca się zainstalowanie ochronnika przepięciowego (standardowy włącznik w gniazdku) w celu zagwarantowania zwiększonej ochrony podczas użytkowania urządzenia. Zaleca się, aby ochronnik przepięciowy (z nominalnym prądem szczytkowym max. 30 mA) był zainstalowany w obwodzie elektrycznym, w którym urządzenie będzie użytkowane. Zwróć się do swego elektryka o specjalistyczną pomoc.
  - Przed podłączeniem urządzenia do gniazdka elektrycznego i jego włączeniem, sprawdź, czy jest kompletnie i prawidłowo zmontowane. Urządzenie się nie włączy, jeśli nie zostało prawidłowo złożone.
  - Nie korzystaj z urządzenia na metalowym podłożu, na przykład w zlewie.
  - Zachowaj ostrożność podczas używania urządzenia – nie zbliżaj rąk, palców, włosów, odzieży, łyżek ani innych przyborów kuchennych do ruchomych lub obracających się części.
  - Pod żadnym pozorem nie używaj urządzenia do innych celów niż przyrządzanie potraw i/lub napojów.
  - Nie korzystaj z tego urządzenia przy pomocy programatora, czasowego włącznika ani jakiegokolwiek innej części włączającej urządzenie automatycznie. Przed rozpoczęciem obsługi urządzenia dokładnie przeczytaj wszystkie instrukcje i zachowaj je w bezpiecznym miejscu, by móc z nich skorzystać w przyszłości.

- Z urządzenia mogą korzystać osoby o obniżonych zdolnościach fizycznych, percepcyjnych i umysłowych lub niewielkim doświadczeniu i wiedzy, o ile jest nad nimi sprawowany nadzór lub zostały one pouczone o korzystaniu z urządzenia w bezpieczny sposób i zdają sobie sprawę z ewentualnego niebezpieczeństwa.
- Z tego urządzenia nie mogą korzystać dzieci.
- Nie pozostawiaj włączonego urządzenia bez nadzoru.
- Przed kolejnym włączeniem silnik powinien odpoczywać przez co najmniej 1 minutę.
- Nie wkładaj żadnej części urządzenia do kuchenki mikrofalowej.
- Należy zachować szczególną ostrożność podczas pracy z nożami, ponieważ są one bardzo ostre. Przy niewłaściwej obsłudze noży istnieje ryzyko powstania obrażeń.
- Nie należy zakładać pojemnika na korpus silnika podczas działania silnika.
- Nie należy uruchamiać urządzenia, jeżeli w pojemniku miksera nie znajdują się żadne produkty lub płyny.
- Nigdy nie włączaj miksera, jeśli noże są uszkodzone lub jeśli w pojemniku miksera znajduje się łyżka, szpatułka lub inny przedmiot.
- Nie wystawiaj pojemnika miksera na działanie ekstremalnego gorąca lub zimna, umieszczając na przykład zimny pojemnik w gorącej wodzie i odwrotnie.
- Noże muszą być dobrze założone na pojemnik przed uruchomieniem, aby zagwarantować, że płyn w pojemniku nie wycieknie lub nie wytryśnie.
- Nigdy nie próbuj używać lub umieszczać noży w korpusie silnika bez założonego pojemnika.
- Przy napełnianiu pojemnika nigdy nie przekraczaj poziomu MAX. Mogłoby to spowodować przeciążenie silnika, a także wydostanie się płynu z pojemnika. Zmniejszyłoby to również wydajność miksowania produktów. Należy pamiętać, że niektóre mieszaniny mogą podczas miksowania zwiększyć swoją objętość.
- Nie miksuj napojów gazowanych, które mogą wykipieć.
- Nie miksuj gorących lub wrzących płynów.
- Przez dużą ilość rozumie się taką ilość, która jest odpowiednia dla danego urządzenia z punktu widzenia standardów i specyfikacji (np. pojemnik 700 ml napełniony do linii MAX odpowiada mieszaninie zawierającej 2 części namoczonej i pokrojonej marchwi i 3 części wody). Podczas miksowania większej ilości produktów mikser nie powinien być włączony dłużej niż przez 10 sekund. Żaden przepis nie zawiera ilości produktów, która mogłaby być zbyt duża.
- Pojemnik do siekania orzechów jest przeznaczony wyłącznie do suchych produktów.
- Nie miksuj w mikserze twardych produktów, takich jak cynamon (całe kawałki), anyż, goździki czy suche ziarna kukurydzy. Mogłoby to spowodować uszkodzenie noży.





Ten symbol umieszczony na produktach lub w dokumentacji przewodniej oznacza, że zużyte urządzenia elektryczne lub elektroniczne nie mogą być wyrzucane wraz ze zwykłym odpadem komunalnym. Aby je prawidłowo zutylizować, odnowić lub poddać recyklingowi, oddaj te wyroby do odpowiednich punktów skupu. Szczegółowych informacji udzieli najbliższy lokalny urząd lub najbliższy punkt zbiórki odpadów.

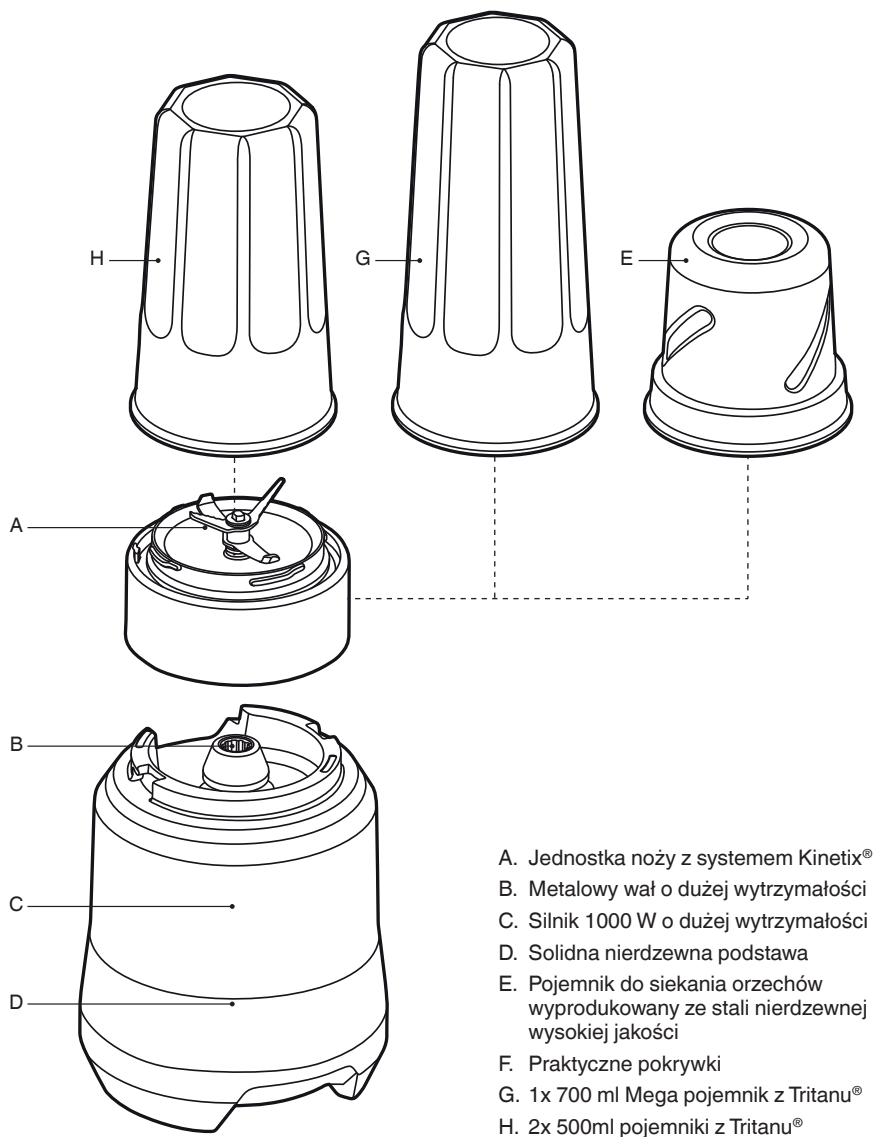


Aby uniknąć porażenia prądem elektrycznym, nie wolno zanurzać przewodu zasilającego, wtyczki przewodu zasilającego lub korpusu urządzenia w wodzie lub innej cieczy.

**ZACHOWAJ NINIEJSZE INSTRUKCJE**



## Opis Twojego nowego urządzenia



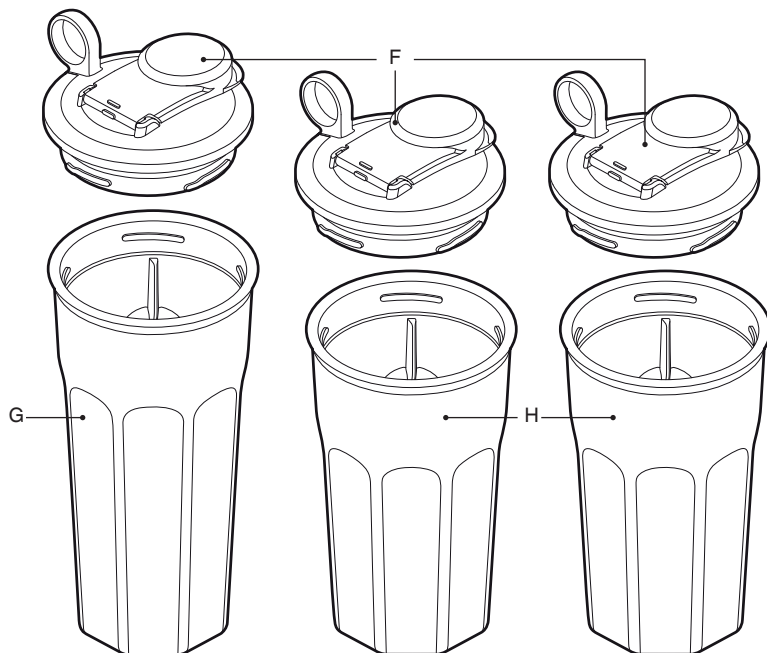
- A. Jednostka noży z systemem Kinetix®
- B. Metalowy wał o dużej wytrzymałości
- C. Silnik 1000 W o dużej wytrzymałości
- D. Solidna nierdzewna podstawa
- E. Pojemnik do siekania orzechów wyprodukowany ze stali nierdzewnej wysokiej jakości
- F. Praktyczne pokrywki
- G. 1x 700 ml Mega pojemnik z Tritanu®
- H. 2x 500ml pojemniki z Tritanu®

### Informacje techniczne:



220–240 V ~ 50 Hz 1000 W

Produkt jest zgodny z wymogami UE.



## KOPOLIMER EASTMAN TRITAN™

- Pojemniki wykonane z kopoliestru Eastman Tritan™; jest to twardy polimer, BPA free stosowany do produkcji urządzeń AGD przeznaczonych do bardzo wymagających zastosowań i nadających się do mycia w zmywarce. Produkty wykonane z Tritan™ są odporne na uderzenia i rozbicie oraz pozostaną czyste i wytrzymałe nawet po setkach cykli mycia w zmywarce.

## WTYCZKA SAGE ASSIST™

- Produkt marki Sage® jest wyposażony w wyjątkową wtyczkę Sage Assist™, zaprojektowaną specjalnie z oczkiem na palec w celu łatwiejszego wyjęcia z gniazdka.



## Montaż Twojego nowego urządzenia

### PRZED PIERWSZYM UŻYCIEM

- Przed pierwszym użyciem usuń i w bezpieczny i ekologiczny sposób zlikwiduj wszelkie materiały pakunkowe i reklamowe.
- Należy zachować szczególną ostrożność podczas obsługi noży. Noże są bardzo ostre.
- Umyj noże, pojemniki i pokrywki w ciepłej wodzie z dodatkiem niewielkiej ilości płynu do mycia naczyń. Opłucz i wytrzyj do sucha. Wszystkie elementy z wyjątkiem podstawy silnika można myć w zmywarce, w górnym koszu.

- Przy pierwszym uruchomieniu urządzenia można zauważyć delikatny zapach wydostający się z silnika. Jest to normalne zjawisko, które zniknie podczas użytkowania.

### MONTAŻ

1. Wyjmij noże i postaw pojemnik dnem na powierzchni roboczej.
2. Napełnij pojemnik składnikami, maksymalnie do linii MAX.
3. Załóż noże na pojemnik i obróć je w kierunku ruchu wskazówek zegara. Upewnij się, że pojemnik jest prawidłowo nałożony i że miejsce połączenia pozostaje szczelne także po obróceniu do góry nogami.



## Obsługa Twojego nowego urządzenia

### OBSŁUGA

- Mikser nie włączy się, jeżeli pojemnik z nożami nie jest prawidłowo zmontowany. Mikser jest wyposażony w system bezpieczeństwa, który nie włączy silnika, jeżeli nie jest on prawidłowo zmontowany lub jeżeli nałożono tylko noże.
- Gdy pojemnik i noże są prawidłowo założone i w pojemniku znajdują się produkty, załóż pojemnik z nożami na korpus silnika według graficznej podpowiedzi na korpusie.
- Obrót pojemnika z nożami w kierunku ruchu wskazówek zegara włącza mikser.
- Po uzyskaniu żądanej konsystencji zmiksowanych produktów obróć pojemnik z powrotem w kierunku przeciwnym do ruchu wskazówek zegara. Mikser zatrzyma się automatycznie.
- Nie miksuj dłużej niż 60 sekund. Przed kolejnym włączeniem silnik powinien odpocząć przez co najmniej 2 minuty.
- Nie miksuj produktów w pojemniku do siekania orzechów dłużej niż 30 sekund. Następnie pozostaw silnik do wystygnięcia na ok. 30 sekund.
- Produkty można przetrząsać w krótkich impulsach przez obracanie pojemnika w kierunku ruchu wskazówek zegara i przeciwnym, przez co silnik będzie się włączał i wyłączał.
- Przed zdjęciem pojemnika z podstawy odczekaj kilka sekund, aż noże całkowicie się zatrzymają.
- Postaw pojemnik na blacie tak, aby noże były skierowane ku górze. Niech produkty opadną na dno pojemnika. Jedną ręką trzymaj pojemnik, a drugą ręką ostrożnie odkręć noże w kierunku przeciwnym do ruchu wskazówek zegara.
- Z powodów bezpieczeństwa wyłącz bezpiecznik gniazdka (jeśli gniazdko jest w niego wyposażone) i odłącz wtyczkę przewodu zasilającego z gniazdka.
- Nasadka do mielenia orzechów i nasion pracuje na tej samej zasadzie, jak pojemniki. Przymocuj noże w ten sam sposób i przetrzawaj składniki w krótkich impulsach lub nieprzerwanie, tak jak opisano wyżej.
- Metalowa nasadka do orzechów może się nagrzewać, jeśli jest używana dłużej niż 30 sekund. Trzymaj nasadkę za plastikową krawędź.

### OCHRONA PRZED PRZECIĄŻENIEM

- Mikser smoothie jest wyposażony w wewnętrzny samoresetujący się bezpiecznik przeciążeniowy, który ma chronić silnik przed uszkodzeniem przy dużym lub ciągłym obciążeniu. Jeżeli mikser zatrzyma się samoczynnie podczas pracy, oznacza to, że zadziałał bezpiecznik.

- Zdejmij pojemnik z nożami, wyjmij wtyczkę przewodu zasilającego z gniazdka i pozostaw silnik do wystygnięcia na około 30 sekund. W tym czasie nie nakładaj pojemnika z nożami, ponieważ bezpiecznik może aktywować się ponownie przez nagłe uruchomienie.
- Zadziałanie bezpiecznika wskazuje na to, że mikser był za bardzo obciążony zbyt dużą ilością składników lub pracował nieprzerwanie dłużej, niż to konieczne. Zmniejsz ilość składników lub skróć czas miksowania, aby zapobiec powtórzeniu takiej sytuacji. Przedłuż to też żywotność silnika.
- Znacznik MAX jest zwykle właściwym wskaźnikiem zapobiegającym przeciążeniu, jest jednak możliwe, że gęste składniki mogą przeciążyć silnik. Jeżeli wydaje Ci się, że silnik jest obciążony lub że noże obracają się zbyt wolno, nie miksuj dłużej niż przez 10 sekund jednocześnie lub zmniejsz ilość użytych produktów. Także dodanie płynu pomaga zmniejszyć gęstość mieszaniny.



## Konserwacja i czyszczenie

Z powodów bezpieczeństwa odłącz wtyczkę przewodu zasilającego z gniazdka sieciowego po każdym użyciu.

### Pojemniki i pokrywy

Aby utrzymać w czystości pojemniki i pokrywy, nie dopuść do zasychania resztek produktów. Natychmiast po zakończeniu pracy postępuj w następujący sposób:

- Wypłucz produkty z noży, pojemnika i pokrywy.
- Umyj ręcznie w ciepłej wodzie z dodatkiem niewielkiej ilości płynu do mycia naczyń przy pomocy miękkiej gąbki.

### Podstawa silnika

Korpus silnika przetrzyj miękką ściereczką namoczoną w wodzie i wytrzyj do sucha. Oczyszcz przewód zasilający z ewentualnych pozostałości artykułów spożywczych.

### Środki czyszczące

Do czyszczenia korpusu silnika, pojemników i pokrywy nie używaj szorstkich drucianych lub rysujących środków czyszczących, które mogłyby nieodwracalnie uszkodzić powierzchnię. Używaj wyłączonej ciepłej wody z płynem do mycia naczyń i miękkiej gąbki.

## Podciśnienie

Aby wyczyścić pojemnik, można włączyć do niego zimną wodę, włożyć noże i nałożyć go na podstawę silnika lub potrząsać ręcznie przez ok. 10 sekund.

**WAŻNE:** Istnieje ryzyko powstania podciśnienia przy użyciu gorącej wody lub detergentu.

Przy nałożeniu pojemnika z nożami na korpus silnika, w żadnym przypadku nie używaj gorącej ani ciepłej wody.

Nie dodawaj żadnych środków czyszczących. Powstająca piana będzie zwiększać objętość i może spowodować wzrost ciśnienia.

## Zmywarka do naczyń

Pojemniki, pokrywy i noże można myć w górnym koszu zmywarki przy użyciu standardowego cyklu.

## Plamy od produktów i zapach

Produkty o silnym zapachu, takie jak czosnek, ryby lub niektóre warzywa (marchew) mogą pozostawić nieprzyjemny zapach lub plamy na pojemniku miksera lub pokrywie.

Aby usunąć plamy i zapach, nalej do pojemnika ciepłą wodę, nie przekraczając poziomu MAX. Pozostaw na ok. 5 minut. Następnie umyj go w ciepłej wodzie z dodatkiem niewielkiej ilości płynu do mycia naczyń, wypłucz i wytrzyj do sucha. Pojemniki i pokrywy przechowuj oddzielnie.

## Owoce cytrusowe

Olje z owoców cytrusowych może wpłynąć na przezroczystość i żywotność pojemników. Po umyciu w wodzie z detergentem wypłucz czystą wodą, wytrzyj do sucha. Nie dopuść do wyschnięcia pojemnika po miksowaniu owoców cytrusowych.

## Przechowywanie

Przechowuj w pozycji poziomej z nożami włożonymi do pojemnika, nałożonego na podstawę lub umieszczonego obok. Nie przechowuj pojemnika z założonymi nożami w pozycji włączonej, aby nie doszło do uruchomienia silnika po podłączeniu wtyczki przewodu zasilania do gniazdka.



## Rozwiązywanie problemów

**Silnik się nie uruchomił lub noże się nie obracają.**

- Sprawdź, czy kabel zasilający jest włączony do gniazdka.
- Zadziałał bezpiecznik przeciążeniowy (patrz niżej).

**Mikser zatrzymał się nagle podczas pracy.**

- Mikser jest wyposażony w bezpiecznik chroniący silnik przed przegrzaniem i/lub nadmiernym zużyciem. Wyłącz mikser, odłącz od gniazdka i pozostaw do ostygnięcia na około 30 minut. Po ostygnięciu silnika można kontynuować pracę.
- Zaleca się miksowanie mniejszej ilości produktów lub pokrojenie składników na mniejsze kawałki. Ochronę przed przeciążeniem opisano w poprzedniej części instrukcji.

**Produkty są nierównomiernie zmiksowane.**

- Może się tak zdarzyć, jeżeli w kielichu znajduje się zbyt dużo produktów. Włóż mniejszą ilość i miksuj partiami w razie potrzeby.
- Składniki są zbyt duże. Pokój je na mniejsze kawałki. Najlepszy efekt osiągniesz, krojąc składniki na kawałki o wielkości ok. 2 cm.

**Produkty przyklejają się do noży i pojemnika.**

- Mieszanina jest zbyt gęsta. Dodaj trochę wody lub wybierz mniejszą prędkość.



## Gwarancja

### **OGRANICZONA GWARANCJA NA 2 LATA**

Firma Sage Appliances obejmuje niniejszy produkt gwarancją na wady produkcyjne i materiałowe pod warunkiem korzystania z niego w warunkach domowych. Gwarancja obowiązuje w ciągu dwóch lat od zakupu i w określonych regionach. W czasie okresu gwarancji firma Sage Appliances naprawi lub wymieni wadliwe produkty lub zwróci ich koszt (decyzja należy wyłącznie do firmy Sage Appliances).

Będą przestrzegane wszelkie prawa dotyczące gwarancji zawarte w prawodawstwie danego kraju, a niniejsza gwarancja nie ma na nie wpływu. Pełne warunki gwarancji oraz instrukcje dotyczące składania reklamacji można znaleźć w witrynie [www.sageappliances.com](http://www.sageappliances.com).



**Notes / Uwaga**

GBR

BRG Appliances Limited  
Unit 3.2, Power Road Studios,  
114 Power Road, London, W4 5PY  
Freephone (UK Landline): 0808 178 1650  
Mobile Calls (National Rate): 0333 0142 970

DEU

AUT

Sage Appliances GmbH  
Campus Fichtenhain 48, 47807 Krefeld,  
Deutschland  
Deutschland: 0800 505 3104  
Österreich: 0800 80 2551

FRA

Sage Appliances France SAS  
Siège social: 66 avenue des Champs  
Elysées – 75008 Paris  
879 449 866 RCS Paris  
France: 0800 903 235

IRE

Ireland  
1800 932 369

NLD

Netherlands  
0800 020 1741

ITA

Italy  
800 909 773

ESP

Spain  
900 838 534

PTR

Portugal  
0800 180 243

POL

Poland  
00800 121 8713

BEL

Belgium  
0800 54 155

CHE

Switzerland  
0800 009 933

LUX

Luxembourg  
800 880 72

DNK

Denmark  
80 820 827

SWE

Sweden  
0200 123 797

FIN

Finland  
0800 412 143

NOR

Norway  
80 024 976

# Sage®

[www.sageappliances.com](http://www.sageappliances.com)

Registered in England & Wales No. 8223512  
Registered in Germany No. HRB 81309 (AG Düsseldorf)  
Registered in France No. 879 449 866 RCS

**EN** Due to continued product improvement, the products illustrated or photographed in this document may vary slightly from the actual product.

**DE** Aufgrund unserer kontinuierlichen Produktverbesserungen kann die hier gezeigte Abbildung geringfügig vom tatsächlichen Produkt abweichen.

**FR** En raison de leur amélioration continue, les produits représentés ou photographiés dans le présent document peuvent différer légèrement du produit réel.

**NL** Vanwege voortdurende productverbeteringen, kunnen de afgebeelde producten in dit document licht afwijken van het eigenlijke product.

**IT** A causa del continuo miglioramento dei prodotti, il prodotto descritto o illustrato in questo documento può variare leggermente rispetto al prodotto reale.

**ES** Perfeccionamos nuestros productos continuamente, por lo que el artículo podría diferir ligeramente de la ilustración o la fotografía en este documento.

**PT** Devido à melhoria continua dos produtos, os produtos ilustrados ou fotografados neste documento podem variar ligeiramente do produto real.

**PL** Ze względu na stale przeprowadzane ulepszenia, produkty przedstawione na ilustracjach lub zdjęciach w tym dokumencie mogą różnić się od używanego produktu.

**DA** På grund af løbende produktudvikling kan de illustrerede eller fotograferede produkter i dette dokument variere en smule fra det faktiske produkt.

**SV** På grund av kontinuerlig produktförbättring kan produkterna som visas i illustrationerna och fotografierna i detta dokument skilja sig något från den faktiska produkten.

**FI** Jatkuvan tuotekehittelyn seurauksena kuvituksen tuotteet eivät välttämättä ole täysin samanlaisia kuin varsinaisen tuote.

**NO** På grunn av kontinuerlig produktutvikling kan produktene som er vist eller avfotografert i dette dokumentet, variere noe fra det faktiske produktet.

Copyright BRG Appliances 2023

BPB620/SPB620 UG8 – H23