

the Compact Wave™ Soft Close

BMO650/SMO650



EN QUICK GUIDE

DE KURZANLEITUNG

FR GUIDE RAPIDE

NL SNELSTARTGIDS

IT GUIDA RAPIDA

ES GUÍA RÁPIDA

PT MANUAL RÁPIDO

Sage®



Contents

- 2 Sage recommends safety first
- 14 Components
- 15 Assembly
- 17 Functions
- 19 Cooking Functions
- 21 Hints & Tips
- 22 Care & Cleaning
- 23 Troubleshooting
- 24 Guarantee

SAGE RECOMMENDS SAFETY FIRST

At Sage we are very safety conscious. We design and manufacture consumer products with the safety of you, our valued customer, foremost in mind. In addition, we ask that you exercise a degree of care when using any electrical appliance and adhere to the following precautions.

IMPORTANT SAFEGUARDS



WARNING

To reduce the risk of burns, electric shock, fire, injury to persons or exposure to excessive microwave energy:

READ ALL INSTRUCTIONS BEFORE USE AND SAVE FOR FUTURE REFERENCE

A downloadable version of this document is also available at sageappliances.com

- Before using for the first time please ensure that your electricity supply is the same as shown on the rating label on the underside of the appliance.
- Do not remove the microwave guide cover placed on the right panel inside the cavity. This sheet is not part of the packaging and needs to remain inside the microwave cavity to ensure a safe operation. Please refer to the SMO650 Components on page 15.

- Remove and safely discard any packaging material and promotional labels before using the Sage microwave oven for the first time.
- Read and follow the specific “PRECAUTIONS TO AVOID POSSIBLE EXPOSURE TO EXCESSIVE MICROWAVE ENERGY” on page 11.
- This appliance must be grounded. Connect only to properly grounded outlet. See “GROUNDING INSTRUCTIONS” on page 13.
- Install and locate this appliance only in accordance with the supplied installation instructions on page 16.
- Some products such as whole eggs and sealed containers - for example, closed glass jars have the potential to explode and shall not be heated in this oven.
- Use this appliance only for its intended use as described in the manual. Do not use corrosive chemicals or vapours in this appliance. This type of oven is specifically designed to heat or cook food. It is not designed for industrial or laboratory use.
- As with any appliance, close supervision is required when used by children.
- This appliance can be used by children aged from 8 years and above and persons with reduced physical, sensory or mental capabilities or lack of experience and knowledge if they have been given supervision or instruction concerning use of the appliance in a safe way and understand the hazards involved. Children shall not play with the appliance. Cleaning and user maintenance shall not be made by children without supervision.
- This appliance is not intended for use by persons (including children) with reduced physical, sensory or mental capabilities, or lack of experience and knowledge, unless they have been given

- supervision or instruction concerning use of the appliance by a person responsible for their safety.
- Children should be supervised to ensure that they do not play with the appliance.
 - Do not operate this appliance when it has a damaged cord or plug, when it is not working properly, or when it has been damaged or dropped.
 - This appliance shall be serviced only by qualified personnel.
 - Contact nearest authorized service facility for examination, repair, or adjustment.
 - Do not cover or block any openings on the appliance.
 - Do not store this appliance outdoors.
 - Do not use this product near water for example, near a kitchen sink, in a wet basement, or near a swimming pool, and similar areas.
 - Do not immerse power cord, power plug, or appliance in water or any other liquid.
 - Keep cord away from heated surfaces.
 - Do not let cord hang over edge of table or counter, touch hot surfaces or become knotted.
 - When cleaning surfaces of door and oven that come together on closing the door; use only mild, nonabrasive soaps, or detergents applied with a sponge or soft cloth. The use of corrosive chemicals in cleaning will damage the appliance and may result in radiation leaks.
 - To reduce the risk of fire in the oven CAVITY:
 - Do not overcook food. Carefully attend appliance when paper, plastic, or other combustible materials are placed inside the oven to facilitate cooking.
 - Remove wire twist-ties from paper or plastic bags before placing bag in oven.
 - In the event materials inside the oven ignite, keep oven door closed, turn oven off, and disconnect the power cord, or shut off power at the fuse or circuit breaker panel.

- Do not use the CAVITY for storage purpose. Do not leave paper products, cooking utensils, or food in the CAVITY when not in use.
- To eliminate a choking hazard for young children, remove and safely discard the protective cover that is fitted to the power plug of the Sage microwave oven.
- Do not place the microwave oven near the edge of a bench or table during operation. Ensure all surfaces are level, clean and free of water or any other substances.
- Do not place the microwave oven on or near a hot gas or electric burner, or where it could touch a heated oven.
- Ensure the microwave is installed and operated with adequate space above and around the unit as recommended within the Installation section on page 16.
- Do not build in or enclose microwave in a cabinet or confined space as it will cause overheating. (Refer to Installation section on page 16)
- Always operate the microwave oven on a heat-resistant surface. Do not use on a cloth-covered surface, near curtains or other flammable materials.
- Do not use the microwave oven on a metal surface.
- Always ensure the microwave oven is properly assembled before connecting to the power outlet and operating. Do not use the oven without the turntable roller and glass turntable in place. Ensure the glass turntable is positioned correctly into the indents on the turntable roller.
- The microwave oven is not intended to be operated by means of an external timer or separate remote-control system.
- Never use the microwave oven without food or water in the oven cavity. Operating the microwave oven when empty could cause damage to the appliance.

- Do not leave the microwave oven unattended when in use.
- Do not touch hot surfaces.
- Allow the microwave oven to cool before moving or cleaning any parts.
- Always ensure the microwave oven power cord is unplugged from the power outlet before attempting to move the appliance, when not in use, if left unattended and before disassembling, cleaning or storing.
- Always turn the microwave oven off by pressing the STOP/ CLEAR button and unplug at the power outlet when it is not in use.
- Before cleaning, always press the STOP/CLEAR button and unplug at the power outlet.
- Liquids, such as water, coffee or tea can become heated above their boiling points without the appearance of boiling or bubbling. THIS COULD RESULT IN VERY HOT LIQUIDS SUDDENLY BOILING OVER WHEN

THE CONTAINER OR LIQUID SURFACE IS DISTURBED OR WHEN A SPOON OR UTENSIL IS INSERTED INTO THE LIQUID.

 **WARNING**

If the door or door seals are damaged, the oven must not be operated until it has been repaired by a competent person.

 **WARNING**

It is hazardous for anyone other than a competent person to carry out any service or repair operation that involves the removal of a cover which give protection against exposure to microwave energy.

 **WARNING**

Liquids and other foods must not be heated in sealed containers since they are liable to explode.

IMPORTANT SAFEGUARDS FOR ALL ELECTRICAL APPLIANCES

- Fully unwind the power cord before use.
- It is recommended to regularly inspect the appliance. To avoid a hazard do not use the appliance if power cord, power plug or appliance becomes damaged in any way. Immediately cease use and call Sage Consumer Support for examination, repair or adjustment.
- For any maintenance other than cleaning, contact Sage Consumer Support.
- This appliance is for household use only. Do not use this appliance for anything other than its intended use. Do not use in moving vehicles or boat Do not use outdoors. Misuse may cause injury.
- A 230-240-volt, 50 Hz, AC only, 15-20-amp electrical supply with a fuse or circuit breaker is required in accordance with all Federal, State and Local governing codes and ordinances.
- We also recommend a separate circuit dedicated to serving only this microwave oven.
- A short power-supply cord is supplied to reduce the risks resulting from becoming entangled in or tripping over a longer cord.
- The installation of a residual current device (safety switch) is recommended to provide additional safety protection when using electrical appliances. It is advisable that a safety switch with a rated residual operating current not exceeding 30mA be installed in the electrical circuit supplying the appliance. See your electrician for professional advice.

- The appliance must be used on a properly grounded outlet. If you are not sure if the power outlets are properly grounded, please consult your electrician.
- Do not, under any circumstances, modify the power plug or use an adapter.

SPECIAL SAFETY INSTRUCTIONS FOR YOUR MICROWAVE OVEN

- Wipe the oven cavity with a soft, damp cloth after each use. Leaving food residue, grease or fat in the cavity could cause the microwave oven cavity to overheat and may cause the microwave oven to smoke or catch fire.
- Allow glass turntable to cool down to room temperature before washing or placing in cold water.
- The microwave oven should be cleaned regularly and any food splattering inside the cavity should be removed. Failure to maintain the microwave oven in a clean condition could lead to deterioration of the surface, adversely affecting the life of the microwave oven and possibly resulting in a hazardous situation.
- Do not use a steam cleaner to clean the microwave oven.
- The microwave oven is intended for heating food and beverages. Drying of food or clothing and heating or warming pads, slippers, sponges, damp cloth and similar may lead to risk of injury, ignition or fire.
- Ensure all food containers and/ or plates are suitable for use in the microwave oven. This should be done prior to preparing food for heating or cooking in the microwave oven.
- Do not use a steam cleaner to clean the microwave oven.
- All suitable glass or plastic food containers should be used in strict compliance with the cookware manufacturer's recommendations.

- Containers or plates suitable for use in the microwave oven should not exceed the width of the glass turntable as this may impede the rotation of the turntable and result in food being unevenly cooked or may burn and catch on fire.
- Food and/or liquids should not be heated or cooked directly on the glass turntable. Food and/or liquids must be placed into a suitable microwave-proof container before placing onto the glass turntable.
- Food and/or liquids should not be heated or cooked in plastic or paper containers or bags, unless specified as suitable for use by the manufacturer, due to the possibility of containers exploding or igniting.
- Do not use recycled paper or paper towels when cooking. Recycled paper may contain small metal or other impurities which could cause sparking and/or fire.
- Do not use metal containers or utensils in the microwave oven as these could cause sparking and / or fire.
- Food grade foil should not be used in the microwave oven as this could cause sparking and/ or fire.
- Ensure that lids and caps covering containers are removed prior to placing liquids and/or foods into the microwave oven.
- Feeding bottles and baby food jars should have lids and caps removed before warming or heating in the microwave oven. To avoid burns or scalding after heating, the contents should be stirred or shaken, and the temperature checked before serving.
- Always ensure the temperature of food or drink which has been heated or cooked in the microwave oven has been tested before eating, drinking or serving.

PRECAUTIONS TO AVOID POSSIBLE EXPOSURE TO EXCESSIVE MICROWAVE ENERGY

- Do not attempt to operate this oven with the door open since open-door operation can result in harmful

exposure to microwave energy. It is important not to defeat or tamper with the safety interlocks.

- Do not place any object between the oven front face and the door or allow soil or cleaner residue to accumulate on sealing surfaces.
- If the door or door seals are damaged, the oven must not be operated. Immediately cease use and call Sage Consumer Support for examination, repair or adjustment. It is particularly important that the oven door close properly and that there is no damage to the: (1) Door (bent), (2) Hinges and latches (broken or loosened), (3) Door seals and sealing surfaces.
- Do not put any foreign material between the door and door jamb of the microwave oven.
- The oven should not be adjusted or repaired by anyone except properly qualified service personnel.

SUPERHEATED LIQUIDS

- To reduce this risk of injury to persons:
- Do not overheat the liquid.
- Stir the liquid both before and halfway through heating it.
- The heating of beverages in the microwave can boil over. Care should be taken when handling beverages at all times.
- Do not use straight-sided containers with narrow necks.
- After heating, allow the container to stand in the microwave oven for a short time before removing the container.
- Use extreme care when inserting a spoon or other utensil into the container.
- Do not heat popcorn in the microwave oven unless it has been commercially packaged for microwave use. There may be several un-popped kernels that may overcook and burn when popping popcorn. Do not use oil unless recommended by the

- manufacturer. Do not pop popcorn longer than the manufacturer's instructions (popping time should not exceed 3 minutes). Longer cooking could cause scorching or fire.
- Do not cook any food surrounded by a membrane (such as potatoes, chicken liver, egg yolks, oysters, etc.) without first piercing the membrane several times helping to allow for steam to escape.
 - Eggs in the shell and whole hard-boiled eggs should not be cooked or heated in the microwave oven as they may explode during cooking, at the end of cooking or after removing from the microwave oven.
 - Do not heat oil or fat in the microwave oven. Doing so may cause the microwave oven and/ or the oil to overheat and/or ignite.
 - If any smoke is observed, switch off and unplug the microwave oven at the power outlet. Keep the door closed to stifle any flames.
 - Do not attempt to operate the microwave oven by any method other than those described in this instruction book.
 - Utensils should be checked to ensure that they are suitable for use in microwave ovens.
 - Do not disconnect or tamper with the power cord or the power supply outlet while the unit is operating.
 - Loosely wind the cord when storing the microwave oven. Do not wrap the cord around the microwave oven.
 - When heating food in plastic or paper containers, keep an eye on the microwave oven due to the possibility of ignition.
 - The glass window has been specially treated to make it stronger, more durable and safer than ordinary glass, however it is not unbreakable. If dropped or struck hard, it may break or weaken, and could later shatter into many small pieces without apparent cause.

- If you see any sparks, arcing or flashing within the microwave oven, press the STOP/CLEAR button and correct the problem or contact Sage Consumer Support for assistance.

GROUNDING INSTRUCTIONS



WARNING

Improper use of the grounding can result in a risk of electrical shock.

- This appliance is equipped with a power cord having a grounding wire with a grounding plug. The appliance must be grounded using a 3-hole properly grounded outlet. In the event of an electrical short circuit, grounding reduces the risk of electric shock.

- Do not, under any circumstances, cut or remove the grounding contact from the plug or use an adapter.
- Consult a qualified electrician if the grounding instructions are not completely understood, or if doubt exists as to whether the appliance is properly grounded.
- Do not use an extension cord. If the power supply cord is too short, have a qualified electrician or serviceman install an outlet near the appliance.



CAUTION

Changes or modifications not expressly approved by the party responsible for compliance could void the user's authority to operate the product.

SPECIFICATIONS

Power Consumption	230–240V ~ 50Hz 1250 W
Output	800W - 2450 MHz
Outside Dimensions	29.2cm / 11.5 inches (H) 48.5cm / 19.0 inches (W) 41.7cm / 16.4 inches (D) with handle 38.7cm / 15.2 inches (D) without handle
Glass Turntable Diameter	27cm (10.6 inches)
Net Weight	Approx. 12.85kg
Oven Capacity	25Litres

These specifications may change without notice.

FOR HOUSEHOLD USE ONLY SAVE THESE INSTRUCTIONS



Components



- A. Viewing window
- B. Door handle: Pull handle to open.
- C. LED screen
- D. POWER LEVEL button:
The default power will be P100 (100%).
When the POWER button is pressed again, the POWER LEVEL will decrease from P100 (100%) to P10 (10%), in 10% increments.
- E. DEFROST and REHEAT function
- F. POPCORN Function
- G. FOOD MENU function
- H. BEVERAGE Function
- I. TIME dial
- J. Mute button
- K. START/+30 INSTANT START button.
Each press adds 30 second increments at 100% power.
- L. STOP/CLEAR /CHILD LOCK button
Press and hold STOP/CLEAR button for 3 seconds to set child lock.
- M. CLOCK SETTING button
- N. Microwave Guide Cover
Do not remove to ensure a safe operation.

CE **UK** **Rating Information**
CA 230-240V ~ 50Hz 1250 W



Assembly

BEFORE FIRST USE

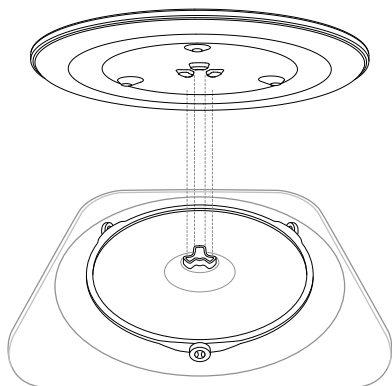
Before first use remove all promotional stickers and packaging material. Carefully unpack the microwave oven and keep all the packing material until all the parts of the microwave oven have been found and the appliance has been assembled. It is recommended to keep all the packing material in a safe place in case you wish to repack the product for shipping purposes.

To remove any dust that may have accumulated during packing, wash the turntable roller and glass turntable in warm soapy water, rinse in clean water then dry thoroughly. Wipe the interior and exterior of the microwave oven with a soft, damp cloth then dry thoroughly.

ASSEMBLING THE GLASS TURNTABLE

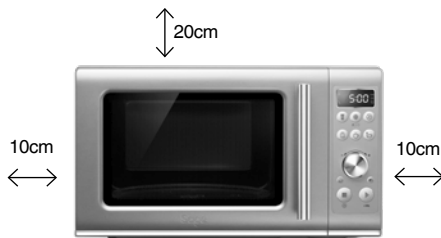
Insert the turntable roller into position in the indented space in the oven cavity base.

Place the glass turntable on top of the turntable roller, matching the indents of turntable roller at the centre area.



INSTALLATION AND TURNING ON THE MICROWAVE OVEN

- This microwave oven is intended to be used as a free-standing unit.
- Select a level surface that provides enough open space for the intake and/or outlet vents.
- A minimum clearance of 10cm (4 inches) is required between the microwave and any adjacent walls.
- Leave a minimum clearance 20cm (8 inches) above the microwave.
- Do not remove the legs from the bottom of the microwave.
- Blocking the intake and/or outlet openings can damage the microwave.
- Place the microwave as far away from radios and TV as possible.
- Operation of microwave may cause interference to your radio or TV reception.
- Plug your microwave into a standard household outlet. Be sure the voltage and the frequency is the same as the voltage and the frequency on the rating label.
- The microwave must not be placed in a cabinet.





WARNING

- To avoid an electrical circuit overload, it is recommended that no other appliances are plugged into the same circuit as your microwave oven (or other products) when it is in use.
- Do not install oven over a range cooktop or other heat-producing appliances. If installed near or over a heat source, the oven could be damaged, and the warranty would be void.
- Check the oven for any damage, such as misaligned or bent door, damaged door seals and sealing surface, broken or loose door hinges and latches and dents inside the cavity or on the door. If there is any damage, do not operate the oven and contact a Sage service centre.
- Do not immerse the microwave oven, power cord or plug in water or any other liquid.



Functions

SETTING THE CLOCK - 24 HOUR CLOCK DISPLAY

Press SET CLOCK on interface panel. The microwave will beep once.

The default time is 06:00. The highlighted digits will flash to show it can be adjusted.

Turn TIME dial to adjust hours and press START or SET CLOCK button to confirm. The microwave will beep once.

Minutes now flash to show they can be adjusted. Turn TIME dial to adjust minutes and press START or SET CLOCK button to confirm. When the new time is saved, the clock display will flash twice, and the microwave will beep once.



NOTE

If you forget to press START to confirm hours or minutes, after 1 minute the microwave will automatically confirm your selection.

SETTING CHILD LOCK

Press and hold STOP/CLEAR (⊗) button for 3 seconds. The CHILD LOCK screen with flash 3 times, and the microwave will beep once.



To disable CHILD LOCK, press and hold the STOP/CLEAR button for 3 seconds. The time will be displayed, and you will have full functionality of your microwave.

STANDBY

When the microwave has been idle for 1-minute, STANDBY mode will be activated, and the clock will be shown.

If the clock has not been set, the display will remain at 00:00



If the clock has been set, the time will be displayed on the screen.

TIME & POWER LEVEL ADJUSTMENT

The maximum microwave cooking time is 95 minutes (95:00).

There are 10 power levels available.

⌚ Adjusting the time

Rotate the TIME dial clockwise to set the desired time, then press start.

The default time will be 30 seconds.

☰ Adjusting the power level

Press the POWER button on the interface. The default power will be P100 (100%).

When the POWER button is pressed again, the POWER LEVEL will decrease from P100 (100%) to P10 (10%), in 10% increments.

DYNAMIC POWER ADJUSTMENT

The food menu settings have pre-determined cook times and power levels to give the best results. However, to suit your personal preference adjustment of both time and power is available during the cooking cycle when using the manual mode.

When using the defrost, reheat, popcorn, beverage or food menu, only the time can be dynamically adjusted.

By pressing the POWER button, the power level can be increased or decreased at any time during the cooking cycle.



NOTE

Adjusting the power level while heating does not affect the time.

The time can also be adjusting during the cooking cycle. If turning the TIME dial, the time value can either be increased or decreased. If pressing the START button, the time value will increase by 30 seconds.

+30s +30 SEC INSTANT START

Press START/Instant +30 button to begin cooking instantly for 30 seconds with 100% microwave power. Each additional press will increase the cooking time by 30 seconds.

WHEN COOKING IS FINISHED

At the end of any cooking cycle, the microwave will beep three times, and the word End will flash on the screen.

The word End will stay flashing on the screen for 5 minutes or until the door is opened.



⊗ STOP/CLEAR

Press STOP/CLEAR once during the cooking cycle to pause cooking, press again to cancel cooking and return to default screen.

🔇 MUTE

This program allows you to mute the sound of the microwave oven during operation.

In order to mute the sound of the microwave, select the MUTE button on the interface.

When the MUTE program is selected, no tone will sound, and the screen will display OFF.



To unmute, press the MUTE button a second time.



Cooking Functions

Popcorn

The POPCORN setting is designed to pop the maximum number of kernels in each bag.

To select this setting, press the POPCORN button. Place the bag in the centre of the turntable.

Turn the TIME dial to select weight, or press the POPCORN button again, and press START to begin cooking.

The weight selections are 25g, 85g and 100g.



Beverage

The BEVERAGE setting is suitable to reheat hot drinks such as coffee and tea that may have become cold. The BEVERAGE setting will warm your drink to approx. 140-150°F (60-65°C) which is suitable to drink right away.

To select this setting, press the BEVERAGE button. Place the cup in the centre of the turntable.

Turn the TIME dial to select the number of cups, or press the BEVERAGE button again, and press START to begin cooking. You can select the amount of beverage from 1 cup (8 fl. oz/240mL) to 4 cups (32. fl. oz/960mL).

At the end of the reheat cycle, stir heated drinks and allow to stand for 1-2 minutes before consuming. Be aware, that overheating may scald or burn drinks.



FOOD MENU

The food menu setting is designed to automatically cook at the correct power for the correct time.

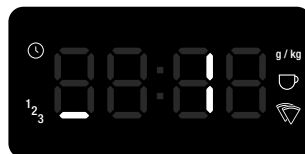
Depending on the food item selected, the indicator on the screen of the microwave will change. These indicators aim to indicate which quantity or volume can be adjusted for each function.

Potatoes

The POTATOES setting is designed to perfectly cook whole potatoes in the microwave.

Before cooking, pierce each potato with a fork 5-6 times. Place the whole potatoes on a single layer on the turntable surface.

To select this setting, press once the FOOD MENU button. The POTATOES setting will correspond to the code F-1. When the POTATOES setting is selected, the screen will look as below:



Turn the TIME dial to select the number of potatoes and press START to begin cooking. You can select from 1 (10oz/285g) to 3 (30oz/850g) potatoes.

Pizza

The PIZZA setting has been specially designed to perfectly reheat leftover pizza slices.

To select this setting, press the FOOD MENU button twice. The PIZZA setting will correspond to the code F-2. When the PIZZA setting is selected, the screen will look as below:



Turn the TIME dial to select the number of slices and press START to begin cooking. You can select from 1 to 4 slices of pizza.

Frozen Vegetables

The FROZEN VEGETABLES setting is suitable for a selection of frozen vegetables such as carrots, broccoli, cauliflower and peas. Cook times are based on vegetables from the freezer (approx. 0°F /-18°C).

To select this setting, press the FOOD MENU button three times. The FROZEN VEGETABLES setting will correspond to the code F-3. When the FROZEN VEGETABLES setting is selected, the screen will look as below:



Turn the TIME dial to select the weight and press START to begin cooking. You can select from 125g, 250g, 375g and 500g.

Cover with a vented microwave-safe plastic lid or vented microwave-safe plastic wrap. No water needs to be added.

Once cooking has finished, allow vegetables to stand for 5 minutes before serving.

DEFROST

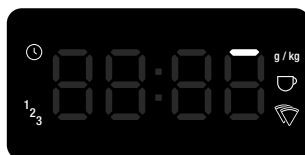
The DEFROST setting is designed to gently defrost food without overheating and drying out of edges.

After the defrost cycle, most foods will still be somewhat icy in the centre when removed from the microwave. Stand food for 5-15 minutes until completely thawed.

To select this setting, press the DEFROST button on the main interface. The setting will enable you to defrost by weight or by time.

Defrost by Weight

To defrost by weight, press the DEFROST button. When Defrost by Weight is selected, the LED display will look as below:

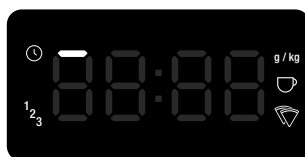


Turn the TIME dial to select the desired weight. The weight range varies from 100g to 1.5kg. Press START to begin.



Defrost by Time

To defrost by time, press twice the DEFROST button. When Defrost by Time is selected, the LED display will look as below:



Turn the TIME dial to select the desired time and Press START to begin.

REHEAT

The REHEAT setting uses lower power levels to gently reheat food without drying or overcooking.

To select this setting, press the REHEAT button.

Turn the TIME dial to select the desired time and Press START to begin.



Hints & Tips

SOME IMPORTANT TIPS FOR MICROWAVE COOKING

To help equalize energy in the food so that it cooks evenly follow these helpful tips.

- Arrange foods with varying size ends, such as chicken drumsticks and broccoli with the thicker or tougher part positioned to the outside of the dish. This ensures the parts that require more cooking will receive more energy, so the food will cook evenly.
- Covering the dish during cooking holds in the heat and steam to speed up cooking time. Use a microwave safe lid or plastic wrap that has been vented by turning back one edge at the side of the dish to form a narrow vent to release excess steam.
- Choose cooking dishes that are shallow. Shallow dishes enable the food to cook faster.
- Arrange individual items such as ramekins or whole potatoes around the outside of the turntable. Make sure to leave space between items so the energy can penetrate from all sides.
- Use round shaped microwave dishes. Round shapes cook more evenly than square or rectangle dishes which absorb most of the energy in the corners causing food to overcook and toughen.
- Stir foods from the outside to centre of the dish once or twice during cooking to equalize heat and speed microwaving.
- Turn medium to large food items over twice during microwaving. This enables even exposure to microwaves.
- Elevating some types of food such as cakes, roast vegetables and dough

products can be advantageous. It allows more energy to penetrate the food from all sides, base and top. Use a microwave safe plastic or ceramic rack. If a rack is unavailable, use an upturned bowl or cup to elevate plates of food.

- Do not elevate any special browning dishes, jugs of sauce or custard, small quantities of food or mugs of beverages.
- Internal temperatures of foods continue to rise so that they continue cooking even after they have been removed from the microwave oven. It is better to undercook food as it will continue to cook once removed from the microwave.

MICROWAVE UTENSILS

- Containers, plates, dishes, etc. used in the microwave oven should always be microwave-safe. Check if stated on the underside of the utensil or contact the manufacturer.
- To test if a container, plate or dish is microwave-safe, place it into the microwave oven with 1 cup of cold water (in a microwave-safe cup) and heat on 100% Power for 1 minute. If the container is hot and the water is cold, the container is not suitable for microwave oven use. If the container is cold and the water is hot, then the container is suitable for microwave oven use.
- Microwave-safe cookware will not become hot by the microwave energy, but it will become hot from contact with hot food. When the food becomes hot, some of this heat is transferred to the dish. Always use oven mitts or clothes to remove hot dishes from the microwave.
- Metal containers and utensils should not be used in the microwave oven.



Care & Cleaning

- Remove the plug from the power outlet before cleaning.
- Keep the inside of the microwave oven clean. When food splatters or spilled liquids adhere to the microwave oven internal walls, wipe with a damp cloth. Mild detergent may be used if the cavity gets very dirty. Avoid the use of spray and other harsh cleaners as they may stain, streak or dull the door surface.
- The outside surfaces should be cleaned with a damp cloth. To prevent damage to the operating parts inside the microwave oven cavity, water should not be allowed to seep into the ventilation openings.
- Wipe the door and window on both sides of the door seals and adjacent parts frequently with a damp cloth to remove any spills or spatters. Do not use an abrasive cleaner.
- Do not allow the control panel to become wet. Clean with a soft, damp cloth. When cleaning the control panel, leave the microwave oven door open to prevent it from accidentally turning on.
- If steam accumulates inside or around the outside of the oven door, wipe with a soft dry cloth. This may occur when cooking foods high in moisture or if the microwave oven is operated under high humidity conditions, this is normal.
- It is occasionally necessary to remove the glass turntable for cleaning. Wash the glass turntable in warm soapy water, rinse in clean water and dry thoroughly.
- The turntable roller and microwave oven floor should be cleaned regularly to ensure the glass turntable rotates correctly and avoids making excessive noise. Simply wipe the bottom surface of the microwave with a soft damp cloth. The turntable roller may be washed in mild soapy water, rinse in clean water and dry thoroughly. When removing the turntable roller from the cavity floor for cleaning, be sure to replace in the proper position.
- Remove odours from your microwave oven by combining a cup of water with the juice of one lemon in a deep microwave-safe bowl, microwave on 100% for 5 minutes. Wipe the microwave oven cavity thoroughly and dry with a soft cloth.
- When it becomes necessary to replace the oven light, please consult your Sage Service Centre to have it replaced.
- Please do not dispose this appliance with domestic rubbish; it should be taken to the appropriate disposal centre provided by the local council municipalities.
- If storing the microwave oven, press the STOP/CLEAR button and unplug the power cord. Ensure the microwave oven is completely cool, clean and dry. Secure the roller ring and glass turntable and close the door. Do not place heavy objects on top. Store the microwave oven upright.

BEFORE YOU CALL FOR SERVICE

- Check to ensure that the oven is plugged in securely. If it is not, remove the plug from the power outlet, wait 10 seconds and plug it in again securely.
- Check for a blown circuit fuse or a tripped main circuit breaker. If these seem to be operating properly, test the power outlet with another appliance.
- Check to ensure that the control panel is programmed correctly, and the timer is set.
- Check to ensure that the door is securely closed engaging the door safety lock system. Otherwise, the door safety lock system will prevent the microwave from switching on.



NOTE

If none of the above rectify the situation, then contact your Sage Service Centre. Do not try to adjust or repair the oven yourself.



Troubleshooting

PROBLEM	EASY SOLUTION
Microwave oven interfering with radio, TV or similar equipment	<ul style="list-style-type: none"> • Clean door and sealing surface of the oven. • Reorient the receiving antenna of radio or television. • Relocate the microwave oven with respect to the receiver. • Move the microwave oven away from the receiver. • Plug the microwave oven into a different outlet so that microwave oven and receiver are on different branch circuits.
Dim microwave oven light	<ul style="list-style-type: none"> • When operating on low power levels, the microwave oven light may be dimmer.
Steam accumulating on door and hot air coming out from vents.	<ul style="list-style-type: none"> • During operation, steam may be produced. Most will exit through the vents; however, some may accumulate around the oven door.

POSSIBLE PROBLEM	POSSIBLE REASON	EASY SOLUTION
Microwave oven will not start	<ul style="list-style-type: none"> • Power cord not plugged in properly. • Fuse blown or circuit breaker problem. • Trouble with outlet. 	<ul style="list-style-type: none"> • Unplug, put the plug in again and switch on. • Replace the fuse or reset circuit breaker. • Have a professional check that the outlet is not faulty.
Microwave oven does not heat	<ul style="list-style-type: none"> • Door not closed properly. 	<ul style="list-style-type: none"> • Ensure door is shut properly.
Glass turntable makes noise during operation.	<ul style="list-style-type: none"> • Turntable roller not assembled properly or needs to be cleaned. 	<ul style="list-style-type: none"> • Reset and clean if necessary.



Guarantee

2 YEAR LIMITED GUARANTEE

Sage Appliances guarantees this product for domestic use in specified territories for 2 years from the date of purchase against defects caused by faulty workmanship and materials. During this guarantee period Sage Appliances will repair, replace, or refund any defective product (at the sole discretion of Sage Appliances).

All legal warranty rights under applicable national legislation will be respected and will not be impaired by our guarantee. For full terms and conditions on the guarantee, as well as instructions on how to make a claim, please visit www.sageappliances.com.

the Compact Wave™ Soft Close

SMO650 EU



DE KURZANLEITUNG

Sage®



Inhalt

- 2 Bei Sage steht Sicherheit an erster Stelle
- 16 Komponenten
- 17 Montage
- 19 Funktionen
- 21 Kochfunktionen
- 23 Tipps und Tricks
- 25 Pflege und Reinigung
- 27 Störungsbehebung
- 28 Garantie

BEI SAGE STEHT SICHERHEIT AN ERSTER STELLE

Wir bei Sage sind sehr sicherheitsbewusst. Beim Design und bei der Herstellung denken wir zuallererst an Ihre Sicherheit. Wir bitten Sie, bei der Verwendung aller Elektrogeräte angemessene Sorgfalt walten zu lassen und sich an die folgenden Vorsichtsmaßnahmen zu halten.

HINWEISE ZUR SICHERHEIT



WARNUNG

Um das Risiko für Verbrennungen, Stromschläge, Feuer, Personenschäden und Aufnahme übermäßiger Mikrowellenenergie zu minimieren:

BITTE ALLE ANWEISUNGEN VOR GEBRAUCH LESEN UND ZUM SPÄTEREN NACHSCHLAGEN AUFBEWAHREN

Dieses Dokument ist auch zum Download verfügbar unter sageappliances.com

- Bitte vergewissern Sie sich vor dem ersten Gebrauch, dass Ihre Netzspannung der Angabe auf der Unterseite des Geräts entspricht.
- Entfernen Sie die Glimmerscheibe am rechten Panel im Garraum der Mikrowelle nicht. Diese Scheibe ist nicht Teil der Verpackung und muss im Garraum der Mikrowelle bleiben, damit diese sicher

- betrieben werden kann. Genauere Informationen finden Sie bei den SMO650-Komponenten auf Seite 16.
- Entfernen und entsorgen Sie jegliches Verpackungsmaterial sowie Aufkleber vor der Inbetriebnahme der Sage-Mikrowelle.
 - Lesen und befolgen Sie die spezifischen „VORSICHTSMASSNAHMEN ZUR VERMEIDUNG EINER AUFNAHME ÜBERMÄSSIGER MIKROWELLENENERGIE“ auf Seite 11.
 - Dieses Gerät muss geerdet werden. Schließen Sie dieses Gerät nur an eine korrekt geerdete Steckdose an. Siehe „ERDUNGSANWEISUNGEN“ auf Seite 14.
 - Montieren und platzieren Sie dieses Gerät ausschließlich nach den beiliegenden Montageanweisungen auf Seite 17.
 - Lebensmittel wie ganze Eier oder verschlossene Behälter, etwa aus Glas, könnten explodieren und sollten nicht mit diesem Gerät erwärmt werden.
 - Verwenden Sie dieses Gerät nur so, wie es in diesem Handbuch angegeben ist. Schützen Sie dieses Gerät vor ätzenden Lösungsmitteln und Dämpfen. Diese Art von Mikrowelle wurde speziell dafür entwickelt, Lebensmittel zu erwärmen oder zu kochen. Sie ist nicht für den kommerziellen Gebrauch oder den Gebrauch in Laboratorien gedacht.
 - Wie bei jedem anderen Gerät müssen auch hier Kinder während dessen Verwendung streng beaufsichtigt werden.
 - Dieses Gerät darf von Kindern ab 8 Jahren und Personen mit eingeschränkten körperlichen, sensorischen oder geistigen Fähigkeiten oder Personen, denen es an Erfahrung und Kenntnis mangelt, nur unter Beaufsichtigung benutzt werden oder wenn sie in die sichere Handhabung

- des Gerätes eingewiesen wurden und die damit verbundenen Gefahren verstehen. Das Gerät ist kein Spielzeug für Kinder. Die Reinigung und Instandhaltung darf nicht von Kindern durchgeführt werden, es sei denn, sie werden dabei beaufsichtigt.
- Dieses Gerät ist nicht für die Verwendung von Kindern oder Menschen mit körperlichen, sensorischen oder geistigen Einschränkungen sowie unerfahrenen oder ungeübten Menschen geeignet, außer sie werden beaufsichtigt oder wurden durch eine aufsichtsberechtigte Person in die Verwendung des Geräts eingewiesen.
 - Um sicherzustellen, dass Kinder nicht mit dem Gerät spielen, sollten diese stets beaufsichtigt werden.
 - Verwenden Sie dieses Gerät nicht, wenn Kabel oder Steckdose beschädigt sind, das Gerät nicht fehlerfrei funktioniert oder beschädigt oder fallen gelassen wurde.
 - Dieses Gerät darf nur von qualifizierten Fachkräften gewartet werden.
 - Wenden Sie sich zur Überprüfung, Reparatur oder Einstellung an die nächstgelegene autorisierte Servicestelle.
 - Decken Sie keine der Öffnungen des Geräts ab und blockieren Sie sie nicht.
 - Lagern Sie dieses Gerät nicht im Freien.
 - Verwenden Sie dieses Gerät nicht in der Nähe von Wasser, etwa einer Küchenspüle, in einem feuchten Kellerraum, in der Nähe eines Pools oder ähnlichen Bereichen.
 - Stromkabel, Netzstecker oder das Gerät selbst dürfen niemals in Wasser oder andere Flüssigkeiten getaucht werden.
 - Halten Sie das Kabel fern von heißen Oberflächen.
 - Achten Sie darauf, dass das Kabel nicht über die Kante eines Tisches oder einer Arbeitsfläche hängt, heiße Oberflächen berührt oder sich verknotet.

- Verwenden Sie für die Reinigung der Tür und Oberflächen, die bei geschlossener Tür zusammenlaufen, nur nicht scheuernde Seifen oder Spülmittel und tragen Sie diese nur mit einem Schwamm oder weichen Tuch auf. Die Verwendung ätzender Chemikalien zur Reinigung des Geräts wird dieses beschädigen und kann zum Austreten von Strahlung führen.
- So reduzieren Sie das Brandrisiko im GARRAUM der Mikrowelle:
- Kochen Sie Lebensmittel nicht zu lange. Behalten Sie das Gerät ständig im Auge, wenn Papier, Plastik oder andere brennbare Materialien zur Beschleunigung des Kochvorgangs im Garraum platziert werden.
- Entfernen Sie jeglichen Bindedraht von Papier oder Plastikverpackungen, bevor Sie diese in die Mikrowelle geben.
- Falls sich Materialien in der Mikrowelle entzünden, halten Sie die Tür geschlossen, schalten und stecken Sie die Mikrowelle ab oder schalten Sie den Strom am Sicherungs- oder Schutzschalter aus.
- Verwenden Sie den GARRAUM der Mikrowelle nicht als Lagerraum. Lagern Sie keine Papierprodukte, Kochutensilien oder Lebensmittel im GARRAUM, wenn Sie die Mikrowelle nicht verwenden.
- Entfernen und entsorgen Sie die Schutzhülle des Netzsteckers der Sage-Mikrowelle, da diese eine Erstickungsgefahr für Kleinkinder darstellt.
- Platzieren Sie die Mikrowelle nicht am Rand einer Arbeitsfläche oder eines Tisches, wenn Sie sie verwenden. Versichern Sie sich, dass alle Oberflächen eben, sauber, trocken und frei von sonstigen Materialien sind.
- Positionieren Sie die Mikrowelle nicht auf oder in der Nähe eines Gas- oder Elektrobrenners oder in Kontakt mit einem beheizten Ofen.

- Die Mikrowelle sollte nur dort platziert und betrieben werden, wo genügend Platz über und um das Gerät verfügbar ist. Details dazu finden Sie in den Montageanweisungen auf Seite 17.
 - Bauen Sie die Mikrowelle nicht in einen Schrank ein und platzieren Sie sie nicht auf engem Raum, da dies zur Überhitzung des Geräts führen kann. (Siehe Montageanweisungen auf Seite 17)
 - Betreiben Sie die Mikrowelle nur auf einer hitzebeständigen Oberfläche. Positionieren Sie das Gerät nicht auf einer mit Stoff bedeckten Oberfläche oder in der Nähe von Vorhängen bzw. entflammaren Materialien.
 - Betreiben Sie die Mikrowelle nicht auf einer metallenen Oberfläche.
 - Vergewissern Sie sich, dass die Mikrowelle ordnungsgemäß zusammengesetzt wurde, bevor Sie diese an die Steckdose anschließen und in Betrieb nehmen.
- Verwenden Sie das Gerät nur, wenn der Drehring und der gläserne Drehteller korrekt im Garraum platziert sind und der Drehteller in den Kerben des Drehrings sitzt.
- Die Mikrowelle ist nicht dafür gedacht, über einen externen Zeitschalter oder eine separate Fernbedienung bedient zu werden.
 - Verwenden Sie die Mikrowelle nur, wenn sich Lebensmittel oder Wasser im Garraum befinden. Der Betrieb der Mikrowelle im leeren Zustand kann zu Schäden am Gerät führen.
 - Lassen Sie die Mikrowelle während des Gebrauchs nicht unbeaufsichtigt.
 - Fassen Sie heiße Oberflächen nicht an.
 - Lassen Sie die Mikrowelle abkühlen, bevor Sie Teile bewegen, abnehmen oder reinigen.
 - Versichern Sie sich stets, dass Sie das Netzkabel der Mikrowelle aus der Steckdose ausgesteckt haben, bevor Sie das

Gerät bewegen, längere Zeit nicht verwenden, unbeaufsichtigt lassen, auseinandernehmen, reinigen oder lagern.

- Schalten Sie die Mikrowelle immer aus, indem Sie die STOP/LÖSCHEN-Taste drücken und ziehen Sie den Netzstecker, wenn das Gerät nicht in Gebrauch ist.
- Drücken Sie stets die STOP/LÖSCHEN-Taste und stecken Sie das Gerät aus der Steckdose aus, bevor Sie es reinigen.
- Flüssigkeiten wie Wasser, Kaffee oder Tee können über ihren Siedepunkt erhitzt werden, ohne dass dies sichtbar wird und Blasen auftreten. **DIES KANN DAZU FÜHREN, DASS SEHR HEISSE FLÜSSIGKEITEN PLÖTZLICH ÜBERKOCHEN, WENN DER BEHÄLTER ODER DIE OBERFLÄCHE DER FLÜSSIGKEIT BEWEGT WIRD ODER WENN EIN LÖFFEL ODER EIN ANDERER GEGENSTAND IN DIE FLÜSSIGKEIT EINGETAUCHT WIRD.**

WARNUNG

Wenn die Tür oder ihre Dichtungen beschädigt sind, darf das Gerät nicht benutzt werden, bis dies von einer fachlich kompetenten Person repariert wurde.

WARNUNG

Die Wartung oder Reparatur, bei der die vor Mikrowellenenergie schützende Abdeckung abgenommen werden muss, kann für fachlich nicht kompetente Personen gefährlich sein.

WARNUNG

Flüssigkeiten und andere Lebensmittel dürfen nicht in verschlossenen Behältern erwärmt werden, da diese explodieren können.

HINWEISE ZUR SICHERHEIT FÜR ALLE ELEKTROGERÄTE

- Rollen Sie das Netzkabel vor Verwendung ganz aus.
- Wir empfehlen, das Gerät regelmäßig auf Schäden

zu überprüfen. Sie können Gefahren vorbeugen, indem Sie das Gerät nicht benutzen, wenn das Netzkabel, der Netzstecker oder das Gerät selbst in irgendeiner Weise beschädigt sind. Stellen Sie die Verwendung umgehend ein und wenden Sie sich an den Sage-Kundenservice, um das Gerät untersuchen, reparieren oder anpassen zu lassen.

- Für alle Wartungsarbeiten am Gerät (abgesehen von der Reinigung) kontaktieren Sie bitte den Sage-Kundenservice.
- Dieses Gerät ist nur für den Hausgebrauch bestimmt. Verwenden Sie dieses Gerät ausschließlich zu seinem Bestimmungszweck. Verwenden Sie das Gerät nicht in fahrenden Fahrzeugen, auf Booten oder im Freien. Fehlgebrauch kann zu Verletzungen führen.
- Für dieses Gerät ist laut sämtlicher Bundes-, Landes- und Regionalgesetze

bzw. -verordnungen eine Stromzufuhr von 230-240 Volt, 50 Hz, nur AC, 15-20 A mit einem Sicherungs- oder Schutzschalter notwendig.

- Wir empfehlen außerdem, einen separaten Stromkreis für diese Mikrowelle einzurichten.
- Dank des mitgelieferten kurzen Netzkabels werden Risiken im Zusammenhang mit Verfangen oder Stolpern über ein langes Kabel vorgebeugt.
- Als zusätzliche Schutzmaßnahme bei der Verwendung von Elektrogeräten wird die Installation eines Schutz- oder Sicherheitsschalters empfohlen. Es ist ratsam, in dem Stromkreis, an den das Gerät angeschlossen ist, einen Schutz- oder Sicherheitsschalter zu installieren, dessen Bemessungsfehlerstrom 30 mA nicht überschreitet. Wenden Sie sich an einen Elektriker für fachgerechte Beratung.
- Das Gerät muss an eine korrekt geerdete

Steckdose angeschlossen werden. Sollten Sie sich nicht sicher sein, ob Ihre Steckdose korrekt geerdet ist, wenden Sie sich bitte an Ihren Elektriker.

- Unter keinen Umständen darf die Steckdose manipuliert oder ein Adapter verwendet werden.

SPEZIELLE SICHERHEITSHINWEISE FÜR IHRE MIKROWELLE

- Wischen Sie den Garraum nach jedem Gebrauch mit einem weichen, feuchten Tuch aus. Im Garraum zurückbleibende Essensrückstände und Fett können zur Überhitzung der Mikrowelle und so zur Rauchentwicklung oder Feuerbildung führen.
- Lassen Sie den Drehteller aus Glas auf Zimmertemperatur abkühlen, bevor Sie ihn waschen oder in kaltes Wasser legen.
- Die Mikrowelle sollte regelmäßig gereinigt und Essensrückstände auf der Innenseite entfernt werden. Wird die Mikrowelle nicht sauber gehalten, kann dies zum Verschleiß der Oberflächen führen, was wiederum die Lebensdauer der Mikrowelle negativ beeinflusst und möglicherweise zu gefährlichen Situationen führen kann.
- Verwenden Sie zur Reinigung der Mikrowelle keinen Dampfreiniger.
- Die Mikrowelle ist zum Erwärmen von Speisen und Getränken konzipiert. Das Trocknen von Lebensmitteln oder Kleidungsstücken und das Erwärmen von Kissen, Hausschuhen, Schwämmen, feuchten Tüchern oder Ähnlichem kann zu Verletzungen, Entzündung der Gegenstände oder Feuer führen.
- Alle in dem Gerät verwendeten Lebensmittelbehälter und/oder Teller müssen mikrowellentauglich sein. Dies sollte vor der Vorbereitung von Lebensmitteln zum Erwärmen in der

Mikrowelle überprüft werden.

- Alle geeigneten Lebensmittelbehälter aus Glas oder Plastik sollten nur unter Beachtung des Küchenzubehör-Herstellers verwendet werden.
- In der Mikrowelle verwendete Behälter oder Teller sollten den Durchmesser des gläsernen Drehtellers nicht überschreiten, da dies die Rotierfähigkeit des Drehtellers beeinflussen und dazu führen kann, dass Lebensmittel ungleichmäßig aufgewärmt werden oder zu brennen beginnen.
- Lebensmittel und/oder Flüssigkeiten sollten nicht direkt auf dem gläsernen Drehteller erwärmt oder gekocht, sondern in mikrowellentauglichen Behältern platziert werden, bevor sie auf den gläsernen Drehteller gestellt werden.
- Lebensmittel und/oder Flüssigkeiten sollten nicht in Plastik- oder Papierbehältern

aufgewärmt oder gekocht werden, außer diese sind vom Hersteller als mikrowellentauglich spezifiziert, da diese anderenfalls explodieren oder Feuer fangen können.

- Verwenden Sie keine recycelten Papiertücher im Zusammenhang mit diesem Gerät, da diese kleine Metallteile oder andere Unreinheiten enthalten können, die zur Funkenbildung und/oder Brand führen können.
- Verwenden Sie keine Behälter oder Utensilien aus Metall in der Mikrowelle, da dies zur Funkenbildung und/oder Brand führen könnte.
- Verwenden Sie keine Aluminiumfolie in der Mikrowelle, da dies zur Funkenbildung und/oder Brand führen könnte.
- Versichern Sie sich, dass sämtliche Deckel und Abdeckungen von Behältern abgenommen wurden, bevor Sie Flüssigkeiten und/oder Lebensmittel in der Mikrowelle platzieren.

- Fläschchen und Gläser mit Babynahrung sollten ohne Deckel oder Abdeckungen in der Mikrowelle platziert werden, bevor Sie diese erwärmen. Um Verbrennungen nach der Erwärmung der Lebensmittel zu vermeiden, sollten diese umgerührt oder geschüttelt und ihre Temperatur überprüft werden, bevor sie serviert werden.
- Versichern Sie sich stets, dass die Temperatur der Lebensmittel oder Getränke, die in der Mikrowelle erwärmt oder gekocht wurden, vor dem Verzehr überprüft wird.
- Platzieren Sie keine Gegenstände zwischen der Tür und der Vorderseite des Geräts und vergewissern Sie sich, dass sich keine Rückstände an Lebens- oder Reinigungsmitteln auf den abdichtenden Oberflächen ansammeln.
- Wenn die Tür oder ihre Dichtungen beschädigt sind, darf das Gerät nicht benutzt werden. Stellen Sie die Verwendung umgehend ein und wenden Sie sich an den Sage-Kundenservice, um das Gerät untersuchen, reparieren oder anpassen zu lassen. Es ist besonders wichtig, dass die Ofentür sich ordnungsgemäß verschließen lässt und keine Schäden an der (1) Tür (verbogen), den (2) Angeln und Riegeln (kaputt oder locker), den (3) Dichtungen und den abdichtenden Oberflächen vorliegen.

VORSICHTSMASSNAHMEN ZUR VERMEIDUNG EINER AUFNAHME ÜBERMÄSSIGER MIKROWELLENENERGIE

- Versuchen Sie nicht, das Gerät bei offener Tür zu betreiben, da dies zu einer schädlichen Belastung durch Mikrowellenenergie führen kann. Manipulieren oder beschädigen Sie die Sicherheitsverriegelung des Geräts nicht.

- Platzieren Sie keine fremden Gegenstände zwischen der Tür(angel) und dem Gerät.

- Ausschließlich qualifizierte Fachkräfte sollten Änderungen oder Reparaturen an dem Gerät vornehmen.

ÜBERHITZTE FLÜSSIGKEITEN

- Um das Verletzungsrisiko für Personen zu minimieren:
- Überhitzen Sie keine Flüssigkeiten.
- Rühren Sie die Flüssigkeit sowohl vor als auch nach der Hälfte der Aufwärmvorgangs um.
- In der Mikrowelle aufgewärmte Getränke können überkochen, daher sollten Sie beim Umgang mit Getränken jederzeit Vorsicht walten lassen.
- Verwenden Sie keine hohen Behälter mit enger Öffnung.
- Lassen Sie den Behälter nach Ende des Aufwärmvorgangs noch kurz im Garraum der Mikrowelle stehen, bevor Sie ihn entnehmen.
- Seien Sie besonders vorsichtig, wenn Sie einen Löffel oder ein anderes

Utensil in den Inhalt des Behälters einführen.

- Bereiten Sie kein Popcorn in der Mikrowelle zu, außer es wurde professionell für die Zubereitung in der Mikrowelle verpackt. Körner, die nicht aufgesprungen sind, können zu lange gekocht werden und verbrennen, wenn Popcorn zubereitet wird. Verwenden Sie kein Öl, außer es wird vom Hersteller empfohlen. Bereiten Sie Popcorn nicht länger zu, als es vom Hersteller vorgeschlagen wird (die Zubereitungszeit sollte nicht länger als 3 Minuten sein). Eine längere Zubereitung kann zum Ansengen des Popcorns oder zu Feuer führen.
- Bereiten Sie keine Lebensmittel mit Membranen (z.B. Kartoffeln, Hühnerleber, Eigelb, Austern usw.) zu, ohne die Membran mehrmals einzustechen, damit der Dampf entweichen kann.

- Rohe Eier mit Schale und ganze, hart gekochte Eier sollten nicht in der Mikrowelle gekocht oder erwärmt werden, da diese während oder nach der Zubereitung bzw. nach dem Entnehmen aus der Mikrowelle explodieren können.
- Erhitzen Sie kein Öl oder Fett in der Mikrowelle. Dies kann zur Überhitzung und Entzündung der Mikrowelle und/oder des Öls führen.
- Sollte die Mikrowelle Rauch abgeben, schalten Sie sie aus und ziehen Sie den Stecker aus der Steckdose. Halten Sie die Türen geschlossen, um eventuelle Flammen zu ersticken.
- Versuchen Sie nicht, die Mikrowelle auf eine andere als der in dieser Bedienungsanleitung beschriebenen Weise zu betreiben.
- Überprüfen Sie alle im Zusammenhang mit der Mikrowelle verwendeten Utensilien auf Mikrowellentauglichkeit.
- Ziehen Sie das Netzkabel nicht heraus oder manipulieren Sie es nicht, während das Gerät in Betrieb ist.
- Wickeln Sie das Kabel locker auf, wenn Sie die Mikrowelle lagern. Wickeln Sie das Kabel nicht um die Mikrowelle.
- Sollten Sie Lebensmittel in Plastik- oder Papierbehältern erwärmen, behalten Sie die Mikrowelle aufgrund der erhöhten Entzündungsgefahr stets im Auge.
- Das Glasfenster wurde speziell behandelt, um es härter, widerstandsfähiger und sicherer als gewöhnliches Glas zu machen. Es ist jedoch nicht unzerbrechlich. Wenn es fallen gelassen oder hart angeschlagen wird, kann es zerbrechen oder Materialermüdung erleiden und später ohne offenkundige Ursache zersplittern.
- Falls Sie Funken, Lichtbögen oder Blitze in der Mikrowelle sehen können, drücken Sie die

STOP/LÖSCHEN-Taste und beheben Sie das Problem oder wenden Sie sich für Unterstützung an den Sage-Kundenservice.

ERDUNGSANWEISUNGEN



WARNUNG

Eine unsachgemäße Erdung kann zu einem erhöhten Stromschlagrisiko führen.

- Dieses Gerät ist mit einem Netzkabel mit Erdungskabel und einem Erdungsstecker ausgestattet. Das Gerät muss über eine richtig geerdete 3-Loch-Steckdose geerdet werden. Im Falle eines elektrischen Kurzschlusses reduziert Erdung das Risiko eines elektrischen Schlages.
- Unter keinen Umständen darf der Erdungsstift gekürzt bzw. entfernt oder ein Adapter eingesetzt werden.
- Wenden Sie sich an einen qualifizierten Elektriker, falls Sie die Erdungsanweisungen nicht vollständig verstanden oder Zweifel haben, ob das Gerät richtig geerdet ist.

- Verwenden Sie außerdem kein Verlängerungskabel. Sollte das Netzkabel zu kurz sein, beauftragen Sie einen qualifizierten Elektriker mit der Installation einer Steckdose in der Nähe Ihres Geräts.



VORSICHT

Änderungen und Manipulationen, die nicht explizit von der für die Einhaltung der Nutzungsbestimmungen verantwortlichen Partei genehmigt wurden, können das Nutzungsrecht des Benutzers hinfällig machen.

TECHNISCHE DATEN

Energieverbrauch	230–240V ~ 50Hz 1250 W
Leistung	800 W - 2450 MHz
Abmessungen der Außenseite	29,2 cm / 292 mm (H) 48,5 cm / 485 mm (B) 41,7 cm / 417 mm (T) mit Griff 38,7 cm / 387 mm (T) ohne Griff
Durchmesser des gläsernen Drehtellers	27 cm (270 mm)
Nettogewicht	Ungefähr 12,85 kg
Garraum-Kapazität	25 Liter

Diese Angaben können sich ohne Ankündigung ändern.

**NUR FÜR DEN HAUSGEBRAUCH
BEWAHREN SIE DIESE
ANLEITUNG AUF**



Komponenten



- A. Sichtfenster
- B. Türgriff: Ziehen Sie am Griff, um die Tür zu öffnen.
- C. LED-Display
- D. LEISTUNGSSTUFEN-Taste:
Standardmäßig ist P100 eingestellt (100 %).
Wenn Sie die LEISTUNG-Taste erneut drücken, wird die Leistungsstufe von P100 (100 %) in Zehnerschritten bis zu P10 (10 %) verringert.
- E. AUFTAU- und AUFWÄRM-Funktion
- F. POPCORN-Funktion
- G. LEBENSMITTELAUSWAHL-Funktion
- H. GETRÄNKE-Funktion
- I. ZEIT-Drehregler
- J. Stumm-Taste
- K. START/+30 SOFORTSTART-Taste
Mit jedem Drücken werden schrittweise 30 Sekunden bei 100 % Leistung hinzugefügt.
- L. STOP/LÖSCHEN/KINDERSICHERUNG-Taste. Halten Sie die STOP/LÖSCHEN-Taste 3 Sekunden lang gedrückt, um die Kindersicherung zu aktivieren.
- M. UHR EINSTELLEN-Taste
- N. Glimmerscheibe
Für einen sicheren Betrieb nicht entfernen.

CE Leistungsinformationen
230–240V ~ 50Hz 1250 W



Montage

VOR DEM ERSTEN GEBRAUCH

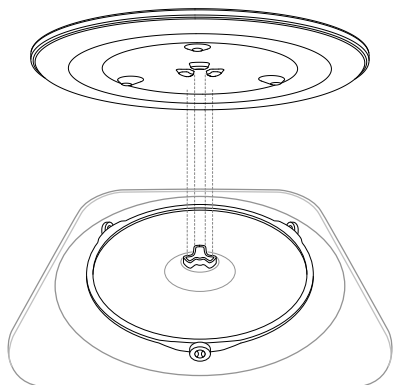
Entfernen Sie vor dem ersten Einsatz sämtliche Sticker und alles Verpackungsmaterial. Packen Sie die Mikrowelle vorsichtig aus und entsorgen Sie das Verpackungsmaterial nicht, solange nicht alle Teile der Mikrowelle gefunden und das Gerät zusammengebaut wurde. Wir empfehlen, das Verpackungsmaterial aufzuheben, falls Sie das Gerät für Transportzwecke erneut verpacken möchten.

Waschen Sie den Drehring und den gläsernen Drehteller in warmem Seifenwasser ab, um Staub zu entfernen, der sich eventuell während des Einpackvorgangs angesammelt hat, spülen Sie beide Teile mit klarem Wasser ab und trocknen Sie sie gründlich. Reinigen Sie die Innen- und Außenseite der Mikrowelle mit einem weichen Tuch und trocknen Sie sie gründlich ab.

MONTAGE DES GLÄSERNEN DREHTELLERS

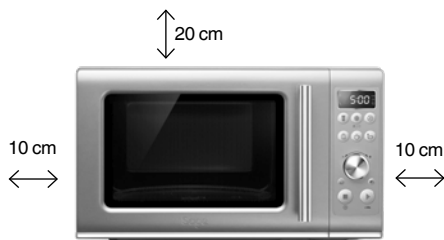
Platzieren Sie den Drehring in der Kerbe im Garraum der Mikrowelle.

Platzieren Sie den gläsernen Drehteller auf dem Drehring und überprüfen Sie, dass er korrekt auf den Kerben in der Mitte des Drehrings aufsitzt.



EINRICHTEN UND EINSCHALTEN DER MIKROWELLE

- Diese Mikrowelle sollte als freistehendes Gerät verwendet werden.
- Wählen Sie eine ebene Oberfläche mit genügend Freiraum um die Lüftungsöffnungen.
- Zwischen der Mikrowelle und den Wänden müssen mindestens 10 cm Abstand gelassen werden.
- Über der Mikrowelle müssen mindestens 20 cm Abstand gelassen werden.
- Die Standfüße der Mikrowelle dürfen nicht entfernt werden.
- Am Gerät können Schäden entstehen, wenn Lüftungsöffnungen blockiert werden.
- Zwischen der Mikrowelle und Radios sowie Fernsehern sollte der Abstand so groß wie möglich sein.
- Der Betrieb der Mikrowelle kann zu Störungen des Radio- oder Fernsehempfangs führen.
- Schließen Sie Ihre Mikrowelle an eine normale Haushaltssteckdose an. Stellen Sie sicher, dass die Spannung und die Frequenz mit denen auf dem Typenschild übereinstimmen.
- Die Mikrowelle darf nicht in einen Schrank gestellt werden.





WARNUNG

- Um eine Überlastung des Stromkreises zu vermeiden, wird empfohlen, dass während des Betriebs keine anderen Geräte an den Stromkreis der Mikrowelle (oder anderer Produkte) angeschlossen werden.
- Platzieren Sie die Mikrowelle auf keinen Fall über einer Herdplatte oder anderen Hitzequellen. Falls das Gerät über oder in der Nähe einer Hitzequelle installiert wird, kann es beschädigt werden. Derartige Schäden werden nicht von der Garantie abgedeckt.
- Überprüfen Sie die Mikrowelle auf Schäden wie zum Beispiel eine unbündige oder verbogene Tür, gebrochene Türdichtungen und beschädigte Oberflächenversiegelungen, gebrochene oder lockere Scharniere und Verriegelungen sowie Dellen im Garraum oder im Türbereich. Sollten Ihnen Schäden auffallen, nehmen Sie das Gerät nicht in Betrieb und wenden Sie sich an die nächste Sage-Kundendienststelle.
- Weder Mikrowelle noch Netzkabel oder Netzstecker dürfen in Wasser oder andere Flüssigkeiten getaucht werden.



Funktionen

UHR EINSTELLEN - 24-STUNDEN-ANZEIGE

Drücken Sie die UHR EINSTELLEN-Taste auf dem Bedienfeld. Die Mikrowelle gibt einen Piepton ab.

Die standardmäßig angezeigte Zeit ist 06:00. Die jeweils hervorgehobene Zahl blinkt, um anzuzeigen, dass sie geändert werden kann.

Mit dem ZEIT-Drehregler können Sie die Stunden einstellen. Zur Bestätigung können Sie entweder die START- oder die UHR EINSTELLEN-Taste drücken. Die Mikrowelle gibt einen Piepton ab.

Nun blinkt die Minutenanzeige und kann verändert werden. Mit dem ZEIT-Drehregler können Sie die Minuten einstellen.

Zur Bestätigung können Sie entweder die START- oder die UHR EINSTELLEN-Taste drücken. Sobald die neue Uhrzeit erfolgreich gespeichert wurde, leuchtet die Uhrenanzeige zweimal auf und die Mikrowelle gibt einen Piepton von sich.



HINWEIS

Falls Sie vergessen, Ihre Einstellung der Stunden oder Minuten durch Drücken auf die START-Taste zu bestätigen, übernimmt die Mikrowelle Ihre neue Einstellung nach einer Minute automatisch.

EINSTELLEN DER KINDERSICHERUNG

Halten Sie die STOP/LÖSCHEN-Taste (⊗) 3 Sekunden lang gedrückt. Der KINDERSICHERUNG-Bildschirm leuchtet dreimal auf und die Mikrowelle gibt einen Piepton von sich.



Wenn Sie die STOP/LÖSCHEN-Taste erneut 3 Sekunden lang gedrückt halten, wird die KINDERSICHERUNG deaktiviert. Daraufhin wird die Uhrzeit angezeigt und die Mikrowelle kann ganz normal verwendet werden.

STANDBY

Wenn die Mikrowelle eine Minute lang nicht mehr verwendet wurde, wird der Standby-Modus aktiviert und die Uhrzeit angezeigt.

Falls die Uhrzeit noch nicht eingestellt wurde, zeigt das Display weiterhin 00:00 an.



Falls die Uhrzeit eingestellt wurde, wird diese angezeigt.

EINSTELLEN DER GARZEIT & DER LEISTUNGSSTUFE

Die maximal einstellbare Garzeit ist 95 Minuten (95:00).

Ihnen stehen 10 Leistungsstufen zur Verfügung.

🕒 Einstellen der Garzeit

Drehen Sie den ZEIT-Drehregler im Uhrzeigersinn, um die gewünschte Zeit einzustellen, und drücken Sie die START-Taste.

Die Standardzeit beträgt 30 Sekunden.

☰ Einstellen der Leistungsstufe

Drücken Sie die LEISTUNG-Taste im Bedienfeld. Standardmäßig ist P100 eingestellt (100 %).

Wenn Sie die LEISTUNG-Taste erneut drücken, wird die Leistungsstufe von P100 (100 %) in Zehnerschritten bis zu P10 (10 %) verringert.

DYNAMISCHE LEISTUNGSEINSTELLUNG

Die verschiedenen Optionen der Lebensmittelauswahl enthalten voreingestellte Garzeiten und Leistungsstufen, die Ihnen ideale Ergebnisse garantieren. Um Ihrem individuellen Geschmack gerecht zu werden, können sowohl Zeit als auch Leistung während des Garvorgangs im manuellen Modus geändert werden.

Wenn Sie die Optionen Auftauen, Aufwärmen, Popcorn, Getränk oder Lebensmittelauswahl verwenden, kann nur die Zeit dynamisch angepasst werden.

Wenn Sie die LEISTUNG-Taste drücken, kann die Leistungsstufe jederzeit während des Garvorgangs erhöht oder verringert werden.



HINWEIS

Änderungen der Leistungsstufe während des Garvorgangs haben keinen Einfluss auf die Garzeit.

Die Garzeit kann ebenfalls während des Garvorgangs angepasst werden. Sie können die Zeit verringern oder verlängern, indem Sie den ZEIT-Drehregler betätigen. Wenn Sie die START-Taste drücken, wird die Garzeit um 30 Sekunden verlängert.

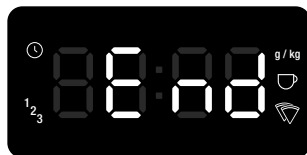
+30s +30 SEKUNDEN SOFORTSTART

Wenn Sie die START-Taste drücken, beginnt sofort ein 30-sekündiger Garvorgang bei 100 % Leistung. Jede weitere Betätigung der Taste verlängert die Garzeit um 30 Sekunden.

NACH DEM GARVORGANG

Nach jedem Garvorgang gibt die Mikrowelle drei Pieptöne von sich und auf der Anzeige leuchtet „End“ auf.

Ein Öffnen der Tür beendet das Aufleuchten, anderenfalls leuchtet die Anzeige noch weitere 5 Minuten.



⊗ STOP/LÖSCHEN

Einmaliges Drücken der STOP/LÖSCHEN-Taste während des Garvorgangs pausiert diesen, bei erneutem Drücken der Garvorgang abgebrochen und die Standardanzeige leuchtet auf.

🔊 STUMMSCHALTEN

Mit dieser Funktion können Sie die Mikrowelle während der Bedienung stummschalten.

Drücken Sie dafür die STUMM-Taste auf dem Bedienfeld. Wenn Sie dies tun, gibt die Mikrowelle keine Töne mehr von sich und auf der Anzeige leuchtet „OFF“ auf.



Um die Stummschaltung aufzuheben, müssen Sie die STUMM-Taste erneut drücken.



Kochfunktionen

Popcorn

Die POPCORN-Voreinstellung ist darauf ausgelegt, die maximale Anzahl an Maiskörnern in einem Popcorn-Beutel in Popcorn umzuwandeln.

Drücken Sie dafür einfach die POPCORN-Taste. Legen Sie den Popcorn-Beutel in die Mitte des Drehtellers.

Legen Sie mit dem ZEIT-Drehregler das Gewicht fest oder drücken Sie einfach erneut die POPCORN-Taste. Drücken Sie nun auf START, um den Garvorgang zu beginnen.

Mögliche Gewichtsoptionen sind 25 g, 85 g und 100 g.



Getränk

Mit der GETRÄNKE-Voreinstellung können abgekühlte Heißgetränke wie Kaffee oder Tee wieder erwärmt werden. Dabei werden diese auf eine Temperatur von etwa 60-65 °C erhitzt und können daraufhin sofort getrunken werden.

Drücken Sie dafür einfach die GETRÄNKE-Taste. Stellen Sie die Tasse in die Mitte des Drehtellers.

Legen Sie mit dem ZEIT-Drehregler die Tassenanzahl fest oder drücken Sie einfach erneut die GETRÄNKE-Taste. Drücken Sie nun auf START, um den Garvorgang zu beginnen. Sie können von einer (240 ml) bis zu vier Tassen (960 ml) wählen.

Zu Ende des Aufwärmvorgangs sollten Sie die Getränke umrühren und etwa 1-2 Minuten stehen lassen, bevor Sie sie trinken. Bitte beachten Sie, dass übermäßiges Aufwärmen zu Verletzungen und verbrannten Getränken führen kann.



LEBENSMITTELAUSWAHL

In dieser Voreinstellung werden für verschiedene Lebensmittel die passende Garzeit und Leistungsstufe festgelegt.

Je nach ausgewähltem Lebensmittel ändert sich die Anzeige auf der Mikrowelle. Dadurch soll demonstriert werden, inwiefern Menge und Volumen für einzelne Funktionen angepasst werden können.

Kartoffeln

Diese Funktion ist dafür ausgelegt, ganze Kartoffeln in der Mikrowelle zu garen.

Zuvor sollten bei jeder Kartoffel 5-6 Einstiche mit einer Gabel vorgenommen werden.

Legen Sie die ganzen Kartoffeln nebeneinander auf die Oberfläche des Drehtellers.

Um diese Einstellung auszuwählen, drücken Sie einmal auf die LEBENSMITTELAUSWAHL-Taste. Die Kartoffel-Einstellung entspricht dem Code F-1. Folgendes wird Ihnen angezeigt, wenn Sie die Kartoffel-Einstellung wählen:



Mit dem ZEIT-Drehregler können Sie die Anzahl der Kartoffeln eingeben. Drücken Sie auf die START-Taste, um den Garvorgang zu beginnen. Sie können zwischen einer (285 g) und drei (850 g) Kartoffeln auswählen.

Pizza

Die Pizza-Einstellung ist so konzipiert, dass Pizzareste perfekt aufgewärmt werden.

Um diese Einstellung auszuwählen, drücken Sie zweimal auf die LEBENSMITTELAUSWAHL-Taste. Die Pizza-Einstellung entspricht dem Code F-2. Folgendes wird Ihnen angezeigt, wenn die Pizza-Einstellung ausgewählt wurde:



Mit dem ZEIT-Drehregler können Sie die Anzahl der Pizzascheiben eingeben. Drücken Sie auf die START-Taste, um den Garvorgang zu beginnen. Sie können zwischen einer und vier Scheiben auswählen.

Gefrorenes Gemüse

Diese Einstellung eignet sich für verschiedene Arten an gefrorenem Gemüse, darunter Karotten, Brokkoli, Blumenkohl und Erbsen. Die Einstellung ist für gefrorenes Gemüse direkt aus dem Gefrierschrank optimiert (etwa -18 °C).

Um diese Einstellung auszuwählen, drücken Sie dreimal auf die LEBENSMITTELAUSWAHL-Taste. Die Einstellung für gefrorenes Gemüse entspricht dem Code F-3. Folgendes wird Ihnen angezeigt, wenn die Einstellung für gefrorenes Gemüse ausgewählt wurde:



Mit dem ZEIT-Drehregler können Sie das Gewicht eingeben. Drücken Sie auf die START-Taste, um den Garvorgang zu beginnen. Sie können zwischen 125 g, 250 g, 375 g und 500 g wählen.

Gemüse mit einem mikrowellensicheren Plastikdeckel mit Lüftungsschlitzen oder mikrowellensicherer Klarsichtfolie mit Lüftungsschlitzen abdecken. Sie müssen kein Wasser hinzufügen.

Nach dem Garvorgang sollte das Gemüse etwa 5 Minuten abkühlen, bevor es serviert wird.

AUFTAUEN

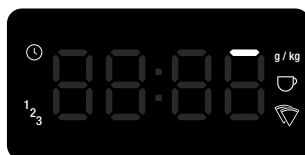
Mit der Einstellung zum Auftauen werden gefrorene Lebensmittel schonend aufgetaut und dabei weder überhitzt noch ausgetrocknet.

Nach dem Auftauvorgang sind die meisten Lebensmittel im Kern noch etwas gefroren. Entnehmen Sie sie aus der Mikrowelle und lassen Sie sie noch etwa 5-15 Minuten lang stehen, bis sie vollständig aufgetaut sind.

Drücken Sie die AUFTAUEN-Taste im Bedienfeld, um diese Einstellung auszuwählen. Hier können Sie nun wählen, ob Sie Lebensmittel abhängig von Gewicht oder Zeit auftauen möchten.

Auftauen nach Gewicht

Um Lebensmittel nach Gewicht aufzutauen, drücken Sie die AUFTAUEN-Taste. Folgendes wird Ihnen angezeigt, wenn Sie Lebensmittel nach Gewicht auftauen möchten:

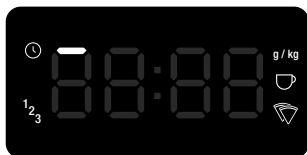


Mit dem ZEIT-Drehregler können Sie das passende Gewicht eingeben. Dabei können Sie in einem Bereich zwischen 100 g und 1,5 kg wählen. Drücken Sie die START-Taste, um zu beginnen.



Auftauen nach Zeit

Um Lebensmittel nach Zeit aufzutauen, drücken Sie die AUFTAUEN-Taste zweimal. Folgendes wird Ihnen angezeigt, wenn Sie Lebensmittel nach Zeit auftauen möchten:



Mit dem ZEIT-Drehregler können Sie die gewünschte Zeit eingeben. Drücken Sie die START-Taste, um zu beginnen.

AUFWÄRMEN

Bei dieser Einstellung werden niedrigere Leistungsstufen ausgewählt, um Lebensmittel schonend aufzuwärmen, ohne sie auszutrocknen oder zu verkochen.

Drücken Sie dafür einfach die AUFWÄRMEN-Taste.

Mit dem ZEIT-Drehregler können Sie die gewünschte Zeit eingeben. Drücken Sie die START-Taste, um zu beginnen.



Tipps und Tricks

EINIGE WICHTIGE TIPPS FÜR DAS KOCHEN MIT EINER MIKROWELLE

Hier finden Sie einige Tipps, die Ihnen dabei helfen, die Energie der Mikrowelle gleichmäßig zu verteilen, damit Lebensmittel perfekt gegart werden.

- Bei Lebensmitteln mit unterschiedlichen Enden, zum Beispiel Chicken Wings oder Brokkoli, raten wir Ihnen, das dickere oder zähere Ende zur Außenseite des Drehtellers zu wenden. Dadurch erhält der Teil des Lebensmittels, der mehr gegart werden muss, mehr Energie und Ihr Essen wird gleichmäßig gegart.
- Um Hitze- und Dampfverlust zu verringern und die Garzeit zu verkürzen, sollten Lebensmittel während des Garvorgangs abgedeckt werden. Verwenden Sie dafür mikrowellensichere Plastikdeckel oder Klarsichtfolie. Heben Sie hierbei zur besseren Entlüftung eine Ecke der Abdeckung leicht an, damit überschüssiger Dampf entweichen kann.
- Wählen Sie für den Garvorgang, falls möglich, flaches Kochgeschirr aus. In flachem Geschirr kann das Essen schneller garen.
- Bei mehreren Stücken, beispielsweise Auflaufförmchen oder ganzen Kartoffeln, raten wir Ihnen, diese entlang der Außenkante des Drehtellers zu arrangieren. Achten Sie darauf, zwischen einzelnen Teilen Platz zu lassen, damit die Energie von allen Seiten auf diese einwirken kann.

- Verwenden Sie rundes Mikrowellengeschirr. In einer runden Form werden Lebensmittel gleichmäßiger gegart als in quadratischen oder rechteckigen Formen, denn dort fangen die Ecken die meiste Energie auf, wodurch Lebensmittel verkochen und aushärten können.
- Rühren Sie Lebensmittel während des Garvorgangs ein- oder zweimal von außen nach innen um, um die Hitze gleichmäßig zu verteilen und die Garzeit zu verkürzen.
- Wenden Sie (mittel)große Lebensmittel während des Garvorgangs zweimal. Dadurch können diese gleichmäßig mit Mikrowellen bestrahlt werden.
- Es kann hilfreich sein, bestimmte Lebensmittel wie Kuchen, geröstetes Gemüse und Teigprodukte zum Garen auf einen anderen Gegenstand zu stellen. Dadurch kann mehr Energie von allen Seiten sowie von oben und unten auf das Lebensmittel einwirken. Verwenden Sie dafür ein mikrowellensicheres Gestell aus Plastik oder Keramik. Wenn Sie kein solches besitzen, können Sie stattdessen auch Mikrowellengeschirr auf eine umgedrehte Schüssel oder Tasse stellen.
- Spezielle Bräter, Saucenkannen und Puddingformen sowie kleinere Essensmengen oder Getränke in Tassen sollten nicht angehoben werden.
- Die Innentemperatur von Lebensmitteln steigt auch nach der Entnahme aus der Mikrowelle weiter an, weshalb das Essen noch nachgart. Daher raten wir, Essen lieber zu kurz als zu lang zu garen, da es außerhalb der Mikrowelle nachgaren wird.

MIKROWELLENZUBEHÖR

- Jegliche in die Mikrowelle gestellten Behälter, Teller, Schüsseln usw. müssen mikrowellensicher sein. Angaben dazu finden Sie auf der Unterseite des jeweiligen Gegenstands oder indem Sie den Hersteller kontaktieren.
- Sie können feststellen, ob Geschirr mikrowellensicher ist, indem Sie es zusammen mit einer Tasse kalten Wassers (in einer mikrowellensicheren Tasse) in die Mikrowelle stellen und eine Minute lang bei 100 % Leistung erhitzen. Wenn danach das Geschirr heiß und das Wasser kalt ist, ist das Geschirr nicht für die Verwendung in der Mikrowelle geeignet. Wenn jedoch das Geschirr kalt und das Wasser heiß ist, ist das Geschirr für die Verwendung in der Mikrowelle geeignet.
- Mikrowellensicheres Geschirr wird durch die Mikrowellenenergie nicht erhitzt, nur durch den Kontakt mit heißen Lebensmitteln. Wenn Essen in einem Gefäß erhitzt wird, überträgt sich ein Teil dieser Hitze auf das Gefäß. Verwenden Sie daher immer Topfhandschuhe oder ein Geschirrtuch, um heißes Essen aus der Mikrowelle zu entnehmen.
- Metall darf nicht in die Mikrowelle gestellt werden.



Pflege und Reinigung

- Ziehen Sie den Netzstecker vor der Reinigung aus der Steckdose.
- Der Garraum der Mikrowelle sollte stets sauber sein. Sollten sich Lebensmittelreste oder verschüttete Flüssigkeiten im Garraum der Mikrowelle befinden, entfernen Sie diese mit einem feuchten Tuch. Falls der Garraum sehr schmutzig sein sollte, kann auch ein mildes Spülmittel verwendet werden. Reinigungssprays und aggressivere Spülmittel sollten nicht verwendet werden, da diese Flecken, Streifen oder Trübungen auf der Oberfläche der Tür verursachen können.
- Außenflächen sollten mit einem feuchten Tuch gereinigt werden. In die Lüftungsöffnungen der Mikrowelle sollte kein Wasser eindringen, damit empfindliche Teile im Garraum des Geräts nicht beschädigt werden.
- Die Tür und alle daran anschließenden Teile sollten regelmäßig mit einem feuchten Tuch gereinigt werden, um Lebensmittelreste und Flüssigkeiten zu entfernen. Verwenden Sie keine scheuernden Reinigungsmittel.
- Das Bedienfeld sollte niemals nass werden. Nur mit einem weichen, feuchten Tuch abwischen. Lassen Sie bei der Reinigung des Bedienfelds die Tür geöffnet, um zu verhindern, dass das Gerät ungewollt aktiviert wird.
- Wenn sich auf der Außen- oder Innenseite der Tür Dampf bildet, können Sie diesen mit einem weichen, trockenen Tuch abwischen. Dies ist normal und passiert, wenn Lebensmittel mit hohem Feuchtigkeitsgehalt gegart werden oder die Mikrowelle bei hoher Luftfeuchtigkeit verwendet wird.
- Es kann hin und wieder notwendig sein, den Drehteller zur Reinigung zu entnehmen. Reinigen Sie diesen in warmem Seifenwasser, spülen Sie mit klarem Wasser nach und trocknen Sie ihn gründlich ab.
- Sowohl Drehring als auch Boden der Mikrowelle sollten regelmäßig gereinigt werden, damit der Drehteller sich ungehindert bewegen kann und keinen übermäßigen Lärm verursacht. Wischen Sie dafür die Bodenfläche des Garraums mit einem weichen, feuchten Tuch ab. Der Drehring kann in mildem Seifenwasser gereinigt werden und sollte danach mit klarem Wasser abgespült und gründlich abgetrocknet werden. Stellen Sie sicher, dass Sie den Drehring nach der Reinigung wieder in der korrekten Position einsetzen.
- Unangenehme Gerüche können aus der Mikrowelle entfernt werden, indem eine Tasse Wasser mit dem Saft einer Zitrone in eine tiefe, mikrowellensichere Schüssel gegeben und bei 100 % Leistung 5 Minuten lang erhitzt wird. Trocknen Sie den Garraum danach gründlich mit einem weichen Tuch.
- Falls die Innenbeleuchtung defekt ist, kann diese im nächstgelegenen Sage Service Center ausgetauscht werden.
- Bitte entsorgen Sie das Gerät nicht mit dem normalen Haushaltsmüll, sondern bringen Sie es zu der geeigneten Entsorgungsstelle Ihrer Gemeinde.
- Wenn Sie die Mikrowelle längere Zeit aufbewahren möchten, drücken Sie die STOP/LÖSCHEN-Taste und ziehen Sie den Netzstecker. Vergewissern Sie sich, dass das Gerät abgekühlt, sauber und trocken ist. Befestigen Sie Drehring und -teller sicher und schließen Sie die Tür. Stellen Sie keine schweren Gegenstände auf das Gerät. Bewahren Sie die Mikrowelle aufrecht stehend auf.

CHECKLISTE VOR KONTAKT MIT DEM KUNDENDIENST

- Stellen Sie sicher, dass das Gerät fest eingesteckt ist. Ist dies nicht der Fall, ziehen Sie den Netzstecker aus der Dose, warten Sie 10 Sekunden und stecken Sie das Gerät erneut ein.
- Überprüfen Sie, ob eine Sicherung durchgebrannt ist oder ein Schutzschalter ausgelöst wurde. Falls nicht, können Sie die Funktionsfähigkeit der Steckdose mit einem anderen Gerät überprüfen.
- Überprüfen Sie außerdem, ob Bedienfeld und Timer richtig eingestellt sind.
- Überprüfen Sie, ob die Tür richtig schließt und der Verriegelungsmechanismus funktioniert. Falls die Tür nicht richtig schließt, verhindert der Verriegelungsmechanismus, dass das Gerät in Betrieb genommen wird.



HINWEIS

Falls das Gerät weiterhin nicht funktioniert, wenden Sie sich bitte an das nächstgelegene Sage Service Center. Versuchen Sie nicht, den Ofen selbst neu zu programmieren oder zu reparieren.



Störungsbehebung

PROBLEM	EINFACHE LÖSUNG
Die Mikrowelle stört den Empfang von Radio, Fernseher oder ähnlichen Geräten	<ul style="list-style-type: none"> • Reinigen Sie die Tür und versiegelten Oberflächen des Geräts. • Richten Sie die Empfangsantenne des Radios oder Fernsehers neu aus. • Ändern Sie die Position der Mikrowelle in Bezug auf die Empfangsantenne. • Entfernen Sie die Mikrowelle weiter von der Empfangsantenne. • Schließen Sie die Mikrowelle an eine andere Steckdose an, sodass Mikrowelle und Empfangsantenne nicht im selben Stromkreis sind.
Schwache Innenbeleuchtung	<ul style="list-style-type: none"> • Bei niedrigen Leistungsstufen ist die Innenbeleuchtung der Mikrowelle eventuell etwas schwächer.
An der Tür entsteht Dampf und aus den Lüftungsschlitzen entweicht heiße Luft	<ul style="list-style-type: none"> • Während des normalen Betriebs kann Dampf entstehen. Der Großteil davon entweicht durch Lüftungsschlitze, ein Teil kann sich jedoch an der Tür aufstauen.

MÖGLICHES PROBLEM	MÖGLICHER GRUND	EINFACHE LÖSUNG
Die Mikrowelle lässt sich nicht einschalten	<ul style="list-style-type: none"> • Der Netzstecker ist nicht richtig eingesteckt. • Eine Sicherung ist durchgebrannt/ein Schutzschalter wurde ausgelöst. • Die Steckdose funktioniert nicht. 	<ul style="list-style-type: none"> • Stecken Sie das Gerät aus und wieder an und schalten Sie es ein. • Ersetzen Sie die Sicherung/setzen Sie den Schutzschalter zurück. • Lassen Sie die Steckdose von einem Fachmann überprüfen.
Die Mikrowelle erzeugt keine Hitze	<ul style="list-style-type: none"> • Die Tür ist nicht richtig geschlossen. 	<ul style="list-style-type: none"> • Vergewissern Sie sich, dass die Tür richtig geschlossen ist.
Während des Garvorgangs verursacht der Drehteller viel Lärm	<ul style="list-style-type: none"> • Der Drehteller wurde nicht richtig eingesetzt oder muss gereinigt werden. 	<ul style="list-style-type: none"> • Positionieren Sie den Ring richtig und reinigen Sie ihn falls notwendig.



Garantie

2 JAHRE BESCHRÄNKTE GARANTIE

Sage Appliances bietet für dieses Produkt für den häuslichen Gebrauch in bestimmten Bereichen ab Kaufdatum eine 2-jährige Garantie gegen Mängel, die durch fehlerhafte Verarbeitung und Materialien verursacht wurden. Während dieser Garantiezeit repariert, ersetzt oder erstattet Sage Appliances ein defektes Produkt (nach eigenem Ermessen von Sage Appliances).

Alle gesetzlichen Gewährleistungsrechte nach geltendem nationalem Recht werden eingehalten und durch unsere Garantie nicht beeinträchtigt. Vollständige Bedingungen für die Garantie sowie Anweisungen zur Geltendmachung von Ansprüchen finden Sie unter www.sageappliances.com.

the Compact Wave™ Soft Close

SMO650 EU



FR GUIDE RAPIDE

Sage®



Table des matières

- 2 Sage recommande la sécurité avant tout
- 15 Composants
- 16 Assemblage
- 18 Fonctions
- 20 Fonctions de cuisson
- 22 Conseils et astuces
- 24 Entretien et nettoyage
- 26 Dépannage
- 27 Garantie

SAGE RECOMMANDE LA SÉCURITÉ AVANT TOUT

Chez Sage, la sécurité est une priorité. Nous concevons et fabriquons des produits consommateurs en mettant la sécurité de nos précieux clients, c'est-à-dire vous, au premier plan. Nous vous demandons également de faire attention lorsque vous utilisez un appareil électrique et de respecter les consignes suivantes.

CONSIGNES DE SÉCURITÉ IMPORTANTES



AVERTISSEMENT

Afin de réduire les risques de brûlure, de choc électrique, d'incendie, de blessure ou d'exposition excessif au rayonnement du micro-ondes :

LISEZ TOUTES LES INSTRUCTIONS AVANT UTILISATION ET CONSERVEZ-LES POUR RÉFÉRENCE ULTÉRIEURE

Une version téléchargeable de ce document est également disponible sur le site sageappliances.com.

- Avant une première utilisation, assurez-vous que votre alimentation électrique est identique à celle illustrée sur l'étiquette située en dessous de l'appareil.
- Ne retirez pas la plaque mica placée sur le panneau droit à l'intérieur de la cavité. Cette plaque ne fait pas partie de l'emballage

- et doit rester à l'intérieur de la cavité du four à micro-ondes afin d'assurer une sécurité maximale. Veuillez vous reporter aux Composants SMO650 à la page 15.
- Retirez et jetez en lieu sûr les emballages et les étiquettes promotionnelles avant d'utiliser le micro-ondes Sage pour la première fois.
 - Lisez et suivez les « PRÉCAUTIONS À PRENDRE POUR ÉVITER UNE EXPOSITION POSSIBLE À UN RAYONNEMENT EXCESSIF DU MICRO-ONDES » en page 11.
 - L'appareil doit être relié à la terre. Ne branchez l'appareil qu'à une prise de courant correctement mise à la terre. Reportez-vous à la section « INSTRUCTIONS DE MISE À LA TERRE » en page 13.
 - Installez cet appareil conformément aux instructions d'installation fournies à la page 16 uniquement.
 - Certains produits comme les œufs entiers et les contenants hermétiques (par exemple des bocaux en verre fermés) peuvent exploser et ne doivent pas être chauffés au micro-ondes.
 - N'utilisez cet appareil que pour l'usage auquel il est destiné, tel que décrit dans le manuel. N'utilisez pas de produits chimiques ou émettant de la vapeur corrosifs dans cet appareil. Ce type de four est spécialement conçu pour chauffer ou cuire des aliments. Il n'est pas conçu pour une utilisation industrielle ou en laboratoire.
 - Comme pour tout appareil électroménager, une surveillance étroite est requise lorsqu'il est utilisé par des enfants.
 - Cet appareil peut être utilisé par des enfants âgés de 8 ans ou plus et des personnes aux capacités mentales, sensorielles ou physiques réduites, ou ayant peu d'expérience et de connaissances,

- uniquement sous supervision ou s'ils ont reçu des instructions sur l'utilisation sécuritaire de l'appareil et qu'ils comprennent les risques impliqués. Les enfants ne doivent pas jouer avec l'appareil. Le nettoyage et l'entretien ne doivent pas être effectués par des enfants sans surveillance.
- Cet appareil n'est pas destiné à être utilisé par des personnes (ni des enfants) aux capacités mentales, sensorielles ou physiques réduites, ou ayant peu d'expérience et de connaissances, sauf sous supervision ou si elles ont reçu des instructions sur l'utilisation de l'appareil par une personne responsable de leur sécurité.
 - Les enfants doivent être surveillés pour s'assurer qu'ils ne jouent pas avec l'appareil.
 - N'utilisez pas cet appareil si son cordon ou sa prise est endommagée, s'il ne fonctionne pas correctement, s'il a été endommagé ou si vous l'avez fait tomber.
 - Cet appareil ne doit être réparé que par un personnel qualifié.
 - Contactez le centre de réparation agréé le plus proche pour examen, réparation ou ajustement.
 - Ne couvrez ni ne bloquez aucune des ouvertures de l'appareil.
 - Ne rangez pas cet appareil à l'extérieur.
 - N'utilisez pas ce produit près d'une source d'eau, par exemple près d'un évier de cuisine, dans un sous-sol humide, près d'une piscine ou autre endroit semblable.
 - Ne plongez pas le cordon électrique, la prise électrique ou l'appareil dans l'eau ou dans un autre liquide.
 - Tenez le cordon éloigné des surfaces chaudes.
 - Ne laissez pas cordon suspendu au bord d'un plan de travail ou d'une table, toucher des surfaces chaudes ou se nouer.
 - Lorsque vous nettoyez les surfaces de la porte

et du four qui se joignent lors de la fermeture de la porte, utilisez uniquement des savons doux et non abrasifs, ou des détergents appliqués avec une éponge ou un chiffon doux. L'utilisation de produits chimiques corrosifs lors du nettoyage endommagera l'appareil et peut entraîner des fuites de rayonnement.

- Afin de réduire tout risque d'incendie dans la CAVITÉ du four :
- Ne surcuisez pas les aliments. Surveillez attentivement l'appareil lorsque du papier, du plastique ou d'autres matières combustibles sont placées à l'intérieur du four pour faciliter la cuisson.
- Retirez les attaches en fil métallique des sacs en papier ou en plastique avant de mettre le sac dans le four.
- Si des matériaux à l'intérieur du four s'enflamment, gardez la porte du four fermée, éteignez le four et débranchez le cordon d'alimentation ou coupez l'alimentation élec-

trique au niveau du fusible ou du disjoncteur.

- N'utilisez pas la CAVITÉ à des fins de stockage. Ne laissez pas de papier, d'ustensiles de cuisine ou d'aliments dans la CAVITÉ lorsque vous n'utilisez pas le micro-ondes.
- Pour éviter tout risque d'étouffement pour les jeunes enfants, retirez et éliminez de manière sûre le couvercle de protection sur la prise d'alimentation du micro-ondes Sage.
- Ne placez pas le four à micro-ondes au bord d'une table ou d'un comptoir pendant son utilisation. Assurez-vous que la surface est plane, propre et sèche.
- Ne placez pas le micro-ondes sur ou près d'un brûleur électrique ou à gaz chaud, ou à un endroit où il est susceptible d'être en contact avec un four chaud.
- Assurez-vous de laisser un espace suffisant au-dessus et autour de l'appareil, tel que recommandé dans la section Installation à la page 16.

- N'installez ni n'enfermez pas le four à micro-ondes dans une armoire ou un espace confiné, car cela pourrait causer une surchauffe. (Reportez-vous à la section Installation à la page 16)
- Utilisez toujours le four à micro-ondes sur une surface résistante à la chaleur. Ne l'utilisez pas sur une surface recouverte d'un tissu, près de rideaux ou d'autres matériaux inflammables.
- N'utilisez pas le four à micro-ondes sur une surface métallique.
- Assurez-vous toujours que le micro-ondes est correctement assemblé avant de le brancher à une prise électrique et de l'utiliser. N'utilisez pas le four sans l'anneau de guidage ni le plateau tournant en verre. Assurez-vous que le plateau tournant est correctement positionné sur l'anneau de guidage.
- Le four à micro-ondes ne doit pas être utilisé avec une minuterie externe ou un système de télécommande séparé.
- N'utilisez jamais le four à micro-ondes sans nourriture ni eau placée dans la cavité du four. L'utilisation du four à micro-ondes lorsqu'il est vide peut endommager l'appareil.
- Ne laissez pas l'appareil sans surveillance lorsqu'il est en marche.
- Ne touchez pas les surfaces chaudes.
- Laissez le micro-ondes refroidir avant de déplacer ou de nettoyer des pièces.
- Assurez-vous que le cordon d'alimentation du four à micro-ondes est toujours débranché de la prise de courant avant d'essayer de déplacer l'appareil, lorsqu'il n'est pas utilisé, s'il est laissé sans surveillance et avant de le démonter, de le nettoyer ou de le ranger.
- Assurez-vous toujours que le micro-ondes est hors tension en appuyant sur le bouton STOP/CLEAR et débranché lorsqu'il n'est pas utilisé.

- Avant le nettoyage, appuyez toujours sur le bouton STOP/CLEAR et débranchez-le.
- Les liquides, tels que l'eau, le café ou le thé, peuvent être chauffés au-delà de leur point d'ébullition sans donner l'impression de bouillir. **CELA POURRAIT ENTRAÎNER UN DÉBORDEMENT SOUDAIN DE LIQUIDES TRÈS CHAUDS LORSQUE LE CONTENANT OU LA SURFACE DU LIQUIDE EST PERTURBÉ OU LORSQU'UNE CUILLÈRE OU UN USTENSILE EST INSÉRÉ DANS LE LIQUIDE.**

AVERTISSEMENT

Si la porte ou les joints de porte sont endommagés, le four ne doit pas être utilisé avant d'avoir été réparé par une personne qualifiée.

AVERTISSEMENT

Il est dangereux pour toute personne autre qu'une personne qualifiée d'effectuer toute opération d'entretien ou de réparation

impliquant l'enlèvement d'une plaque protégeant contre l'exposition au rayonnement du micro-ondes.

AVERTISSEMENT

Les liquides et autres aliments ne doivent pas être chauffés dans des contenants hermétiques, car ils sont susceptibles d'exploser.

MESURES IMPORTANTES DE SÉCURITÉ POUR TOUS LES APPAREILS ÉLECTRIQUES

- Déroulez entièrement le cordon d'alimentation avant utilisation.
- Il est recommandé d'inspecter régulièrement l'appareil. Afin d'éviter tout risque, n'utilisez pas l'appareil si le cordon d'alimentation, la prise ou l'appareil sont endommagés de quelque manière que ce soit.

- Cessez immédiatement toute utilisation et appelez le service client Sage pour examen, réparation ou ajustement.
- Pour tout entretien autre que le nettoyage, contactez le service client Sage.
 - Cet appareil est destiné à un usage domestique uniquement. N'utilisez pas l'appareil à toute autre fin que son utilisation prévue. Ne l'utilisez pas sur un bateau ou dans des véhicules en mouvement. Ne l'utilisez pas à l'extérieur. Une mauvaise utilisation peut engendrer des blessures.
 - Une alimentation électrique de 230 à 240 Volts, 50 Hz, AC uniquement et 15 à 20 ampères avec fusible ou disjoncteur est requise conformément à tous les codes et ordonnances fédéraux, provinciaux et locaux en vigueur.
 - Nous recommandons également d'utiliser un circuit séparé dédié au fonctionnement de ce four à micro-ondes.
 - Un cordon d'alimentation court est fourni pour éviter qu'il ne s'emmêle ou que quelqu'un trébuche.
 - L'installation d'un commutateur de sécurité de courant résiduel est recommandée pour fournir une sécurité supplémentaire lors de l'utilisation d'appareils électriques. Il est recommandé d'installer un interrupteur différentiel avec un courant de fonctionnement résiduel nominal maximal de 30 mA dans le circuit électrique alimentant l'appareil. Consultez votre électricien pour obtenir des conseils professionnels.
 - L'appareil doit être branché à une prise de courant correctement reliée à la terre. Si vous n'êtes pas certain que les prises de courant sont correctement mises à la terre, veuillez consulter votre électricien.
 - Ne modifiez en aucun cas la prise d'alimentation et n'utilisez pas d'adaptateur.

CONSIGNES DE SÉCURITÉ SPÉCIFIQUES À VOTRE FOUR À MICRO-ONDES

- Essuyez la cavité du four à l'aide d'un chiffon doux et humide après chaque utilisation. Laisser des résidus alimentaires ou de graisse dans la cavité peut entraîner sa surchauffe. Le micro-ondes pourrait alors émettre de la fumée ou prendre feu.
- Laissez le plateau tournant en verre refroidir à température ambiante avant de le laver ou de le placer dans de l'eau froide.
- Le four à micro-ondes doit être nettoyé régulièrement et les éclaboussures d'aliments à l'intérieur de la cavité doivent être enlevées. Si le four à micro-ondes n'est pas gardé propre, la surface pourrait se détériorer, ce qui pourrait nuire à sa durée de vie et présenter des risques de danger.
- N'utilisez pas de nettoyeur vapeur pour le nettoyage du four à micro-ondes.
- Le four à micro-ondes est destiné à chauffer des aliments et des boissons. Son utilisation pour sécher des aliments ou des vêtements et réchauffer des coussinets, des chaussons, des éponges, des chiffons humides et autre produit similaire peut entraîner des risques de blessure ou d'incendie.
- Assurez-vous que tous les récipients et/ou plats sont adaptés à une utilisation au micro-ondes. Vous devez vous en assurer avant de préparer les aliments à la cuisson ou au réchauffage dans le micro-ondes.
- Tous les contenants alimentaires en verre ou en plastique appropriés doivent être utilisés conformément aux recommandations du fabricant.
- Les récipients ou plats pouvant être utilisés dans le four à micro-ondes ne doivent pas dépasser la largeur du plateau tournant, car cela pourrait empêcher la rotation du plateau

- et entraîner une cuisson inégale des aliments ou les faire brûler et entraîner des risques d'incendie.
- Les aliments et/ou liquides ne doivent pas être chauffés ou cuits directement sur le plateau tournant. Les aliments et/ou liquides doivent être placés dans un récipient adapté au micro-ondes avant d'être placés sur le plateau tournant.
 - Les aliments et/ou liquides ne doivent pas être chauffés ou cuits dans des récipients ou sacs en plastique ou en papier, à moins que leur utilisation de cette manière ne soit spécifiée par le fabricant, en raison d'un risque d'explosion ou d'inflammation.
 - N'utilisez pas de papier recyclé ou d'essuie-tout lors de la cuisson. Le papier recyclé peut contenir de petites particules de métal ou autres impuretés, ce qui pourrait entraîner des risques d'étincelles et/ou d'incendie.
 - N'utilisez pas de récipients ou d'ustensiles en métal dans le four à micro-ondes, car cela pourrait entraîner des risques d'étincelles et/ou d'incendie.
 - N'utilisez pas de papier aluminium alimentaire dans le micro-ondes, car cela pourrait entraîner des risques d'étincelles et/ou d'incendie.
 - Assurez-vous de retirer les couvercles et bouchons recouvrant les contenants avant de placer les liquides et/ou les aliments dans le four à micro-ondes.
 - Les couvercles et bouchons des biberons et pots d'aliments pour bébés doivent être retirés avant le réchauffage au four à micro-ondes. Afin d'éviter tout risque de brûlure après le réchauffage, le contenu doit être remué ou agité et la température vérifiée avant de servir.
 - Assurez-vous toujours que la température des aliments ou des boissons qui ont été chauffés ou cuits dans le four à micro-ondes a été testée avant

de les manger, de les boire ou de les servir.

PRÉCAUTIONS À PRENDRE POUR ÉVITER UNE EXPOSITION POSSIBLE À UN RAYONNEMENT EXCESSIF DU MICRO-ONDES

- N'essayez pas de faire fonctionner ce four avec la porte ouverte, car cela pourrait entraîner une exposition dangereuse à son rayonnement. Il est important de ne pas toucher aux dispositifs de verrouillage de sécurité.
- Ne placez aucun objet entre la face avant du four et la porte et ne laissez pas de saleté ni de résidus de nettoyage s'accumuler sur les surfaces d'étanchéité.
- Si la porte ou les joints de porte sont endommagés, le four ne doit pas être utilisé.
Cessez immédiatement toute utilisation et appelez le service client Sage pour examen, réparation ou ajustement. Il est particulièrement important que

la porte du four ferme correctement et que les éléments suivants ne soient pas endommagés :

- (1) Porte (pliée),
- (2) Charnières et loquets (cassés ou desserrés),
- (3) Joints de porte et surfaces d'étanchéité.

- Ne placez aucun corps étranger entre la porte et le montant de la porte du four à micro-ondes.
- Le four ne doit être réglé ou réparé que par le personnel de service dûment qualifié.

LIQUIDES SURCHAUFFÉS

- Pour réduire le risque de blessures :
- Ne surchauffez pas le liquide.
- Remuez le liquide avant et à la moitié du temps de chauffe.
- Les boissons peuvent déborder lors du chauffage au micro-ondes. Veuillez toujours manipuler les boissons avec précaution.
- N'utilisez pas de contenants à côtés droits et dotés de goulots étroits.

- Après le chauffage, laissez reposer le contenant dans le four à micro-ondes pendant un court moment avant de le retirer.
- Soyez extrêmement prudent lorsque vous insérez une cuillère ou un autre ustensile dans le contenant.
- Ne chauffez pas le pop-corn dans le four à micro-ondes à moins que son emballage ne soit destiné à une telle utilisation. Certains grains non éclatés peuvent trop cuire et brûler lors de la réalisation du pop-corn. N'utilisez pas d'huile sauf recommandation du fabricant. Ne faites pas éclater le pop-corn plus longtemps que la durée recommandée par le fabricant (la durée ne doit pas dépasser 3 minutes). Une cuisson plus longue pourrait entraîner des risques de brûlure ou d'incendie.
- Ne faites cuire aucun aliment entouré d'une membrane (comme les pommes de terre, le foie de poulet, les jaunes d'œufs, les huîtres, etc.) sans d'abord percer la membrane plusieurs fois afin de permettre à la vapeur de s'échapper.
- Les œufs avec coquille et les œufs durs entiers ne doivent pas être cuits ou chauffés au four à micro-ondes, car ils peuvent exploser pendant la cuisson, à la fin de la cuisson ou après leur retrait du four à micro-ondes.
- Ne chauffez pas d'huile ou de graisse dans le four à micro-ondes. Cela pourrait entraîner un risque de surchauffe et/ou d'inflammation du micro-ondes et/ou de l'huile.
- Si de la fumée apparaît, mettez le micro-ondes hors tension et débranchez-le de la prise de courant. Gardez la porte fermée afin d'étouffer toute flamme.
- N'essayez pas de faire fonctionner le micro-ondes par une méthode autre que celles décrites dans le livret d'instructions.
- Vous devez toujours vérifier que les ustensiles sont

adaptés à une utilisation dans les fours à micro-ondes.

- Ne débranchez ni ne modifiez le cordon d'alimentation ou la prise électrique pendant le fonctionnement de l'appareil.
- Enroulez le cordon sans serrer lorsque vous rangez le four à micro-ondes. N'enroulez pas le cordon autour du micro-ondes.
- Lorsque vous chauffez des aliments dans des contenants en plastique ou en papier, gardez un œil sur le four à micro-ondes en raison du risque d'inflammation.
- La fenêtre en verre a subi un traitement spécial pour la rendre plus résistante, durable et sûre qu'un verre ordinaire, mais elle n'est pas incassable. En cas de chute ou de choc violent, elle peut se casser ou être fragilisée, et pourrait ultérieurement se briser en petits morceaux sans cause apparente.
- Si vous voyez des étincelles, des arcs

électriques ou des éclairs dans le four à micro-ondes, appuyez sur le bouton STOP/CLEAR et corrigez le problème ou contactez le service client Sage pour obtenir une assistance.

INSTRUCTIONS DE MISE À LA TERRE



AVERTISSEMENT

Une utilisation incorrecte de la mise à la terre peut entraîner un risque de choc électrique.

- Cet appareil est équipé d'un cordon d'alimentation muni d'un fil de mise à la terre et d'une fiche de mise à la terre. L'appareil doit être mis à la terre à l'aide d'une prise de courant à trois trous correctement reliée à la terre. En cas de court-circuit électrique, la mise à la terre réduit le risque de choc électrique.
- Ne coupez ou n'enlevez en aucun cas la broche de la fiche. N'utilisez pas d'adaptateur.
- Consultez un électricien qualifié si les instructions de mise à la terre ne sont

pas entièrement comprises ou s'il existe un doute quant à la mise à la terre correcte de l'appareil.

- N'utilisez pas de rallonge. Si le cordon d'alimentation est trop court, demandez à un électricien ou à un technicien qualifié d'installer une prise près de l'appareil.

ATTENTION

Tout changement ou modification apportée sans approbation expresse de la partie responsable de la conformité pourrait annuler l'autorité de l'utilisateur à utiliser l'appareil.

CARACTÉRISTIQUES

Consommation électrique	230 à 240 Volts - 50 Hz 1250 Watts
Sortie	800 Watts - 2450 MHz
Dimensions extérieures	29,2 cm / 292 mm (H) 48,5 cm / 485 mm (l) 41,7 cm / 417 mm (P) avec poignée 38,7 cm / 387 mm (P) sans poignée
Diamètre du plateau tournant en verre	27 cm (270 mm)
Poids net	Environ 12,85 kg
Capacité du four	25 litres

Ces caractéristiques peuvent changer sans préavis.

POUR UN USAGE DOMESTIQUE UNIQUEMENT CONSERVEZ CES INSTRUCTIONS



Composants



- A. Fenêtre de visualisation
- B. Poignée de porte : tirez sur la poignée pour ouvrir.
- C. Écran LED
- D. Bouton POWER LEVEL (niveau de puissance) :
La puissance par défaut est P100 (100 %). Lorsque vous appuyez de nouveau sur ce bouton, le NIVEAU DE PUISSANCE diminue de P100 (100 %) à P10 (10 %), par incréments de 10 %.
- E. Fonction DEFROST (décongeler) et REHEAT (réchauffer)
- F. Fonction POPCORN
- G. Fonction FOOD MENU (menu par type d'aliment)
- H. Fonction BEVERAGE (boisson)
- I. Bouton TIME (durée)
- J. Bouton Silencieux
- K. Bouton START/+30 INSTANT START (début/début instantané +30)
Chaque fois que vous appuyez sur ce bouton, vous augmentez la durée de 30 secondes à 100 % de puissance.
- L. Bouton STOP/CLEAR /CHILD LOCK (stop/annuler/sécurité enfant) Maintenez ce bouton appuyé pendant 3 secondes pour activer le mode sécurité enfant.
- M. Bouton CLOCK SETTING (réglage de l'horloge)
- N. Plaque mica
Ne retirez pas cette plaque afin d'assurer un fonctionnement du micro-ondes en toute sécurité.

CE Informations sur la tension nominale
230 à 240V ~ 50Hz 1250 W



Assemblage

AVANT LA PREMIÈRE UTILISATION

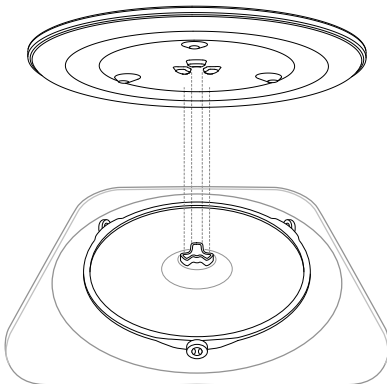
Avant la première utilisation, retirez tous les autocollants promotionnels et le matériel d'emballage. Déballiez soigneusement le four à micro-ondes et conservez tout le matériel d'emballage jusqu'à ce que toutes les pièces du four à micro-ondes aient été trouvées et que l'appareil soit assemblé. Il est recommandé de conserver tout le matériel d'emballage dans un endroit sûr au cas où vous souhaiteriez réemballer le produit à des fins d'expédition.

Pour enlever la poussière qui a pu s'accumuler lors de l'emballage, lavez l'anneau de guidage et le plateau tournant en verre à l'eau chaude savonneuse, rincez à l'eau claire puis séchez-les soigneusement. Essuyez l'intérieur et l'extérieur du four à micro-ondes avec un chiffon doux et humide et séchez soigneusement.

MONTAGE DU PLATEAU TOURNANT EN VERRE

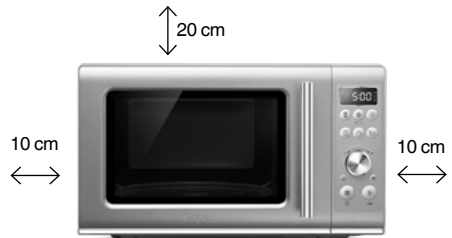
Insérez l'anneau de guidage dans l'espace dentelé dédié situé au niveau de la base de la cavité du four.

Placez le plateau tournant sur l'anneau de guidage, en insérant les sillons de l'anneau dans la zone centrale du plateau.



INSTALLATION ET MISE EN MARCHÉ DU FOUR À MICRO-ONDES

- Ce four à micro-ondes est destiné à être utilisé comme un appareil non encastrable.
- Choisissez une surface plane qui offre suffisamment d'espace pour les zones de ventilation.
- Un espace minimal de 10 cm est requis entre le four à micro-ondes et les murs adjacents.
- Un espace minimal de 20 cm est requis au-dessus du four à micro-ondes.
- Ne retirez pas les pieds du four à micro-ondes.
- Le blocage des ouvertures peut endommager l'appareil.
- Placez le four à micro-ondes aussi loin que possible des radios et de la télévision.
- Le fonctionnement du four à micro-ondes peut causer des interférences avec la réception de la radio ou de la télévision.
- Branchez votre four à micro-ondes à une prise de courant domestique standard. Assurez-vous que la tension et la fréquence sont identiques à la tension et à la fréquence indiquées sur l'étiquette de tension nominale.
- Le four à micro-ondes ne doit pas être placé dans un placard.





AVERTISSEMENT

- Afin d'éviter une surcharge du circuit électrique, il est recommandé de ne pas brancher d'autres appareils sur le même circuit que votre four à micro-ondes (ou d'autres produits) lorsqu'il est utilisé.
- N'installez pas le four au-dessus d'une table de cuisson ou d'autres appareils produisant de la chaleur. Si le four est installé à proximité ou au-dessus d'une source de chaleur, il pourrait être endommagé et la garantie annulée.
- Vérifiez la présence de dommages dans le four, comme une porte mal alignée ou pliée, des joints de porte et une surface d'étanchéité endommagés, des verrous et charnières de porte cassés ou desserrés et des bosses à l'intérieur de la cavité ou sur la porte. En cas de dommage, n'utilisez pas le four et contactez un centre de réparation Sage.
- N'immergez pas le four à micro-ondes, le cordon électrique ou la prise dans l'eau ou tout autre liquide.



Fonctions

RÉGLAGE DE L'HORLOGE - AFFICHAGE 24 HEURES

Appuyez sur SET CLOCK (régler l'horloge) sur l'interface. Le micro-ondes émet un bip.

L'heure par défaut est 06:00. Les chiffres en surbrillance clignotent pour indiquer qu'ils peuvent être réglés.

Tournez la molette TIME (durée) pour régler les heures et appuyez sur le bouton START ou SET CLOCK pour confirmer. Le micro-ondes émet un bip.

Les minutes clignotent à leur tour pour indiquer qu'elles peuvent être réglées.

Tournez la molette TIME (durée) pour régler les minutes et appuyez sur le bouton START ou SET CLOCK pour confirmer. Lorsque la nouvelle heure est enregistrée, l'affichage de l'heure clignote deux fois et le micro-ondes émet un bip.



REMARQUE

Si vous oubliez d'appuyer sur START pour confirmer les heures ou les minutes, le micro-ondes confirme automatiquement votre sélection au bout d'1 minute.

CONFIGURATION DE LA SÉCURITÉ ENFANT

Maintenez le bouton STOP/CLEAR (stop/annuler) (⊗) appuyé pendant 3 secondes. L'écran de sécurité enfant clignote trois fois et le micro-ondes émet un bip.



Pour désactiver la fonction CHILD LOCK (sécurité enfant), maintenez le bouton STOP/CLEAR appuyé pendant 3 secondes. L'heure s'affiche, et vous pourrez utiliser toutes les fonctionnalités de votre micro-ondes.

STANDBY (VEILLE)

Lorsque le four à micro-ondes a été inactif pendant 1 minute, le mode STANDBY (veille) est activé et l'horloge s'affiche.

Si l'horloge n'a pas été configurée, l'écran affiche 00:00



Si l'horloge a été configurée, l'heure s'affiche sur l'écran.

RÉGLAGE DE LA DURÉE ET DU NIVEAU DE PUISSANCE

Le temps de cuisson maximal du micro-ondes est de 95 minutes (95:00).

Il inclut 10 niveaux de puissance.

🕒 Réglage de la durée

Tournez la molette TIME dans le sens des aiguilles d'une montre pour régler la durée souhaitée, puis appuyez sur START.

La durée par défaut est de 30 secondes.

☰ Réglage du niveau de puissance

Appuyez sur le bouton POWER (Marche/Arrêt). La puissance par défaut est P100 (100 %).

Lorsque vous appuyez de nouveau sur ce bouton, le NIVEAU DE PUISSANCE diminue de P100 (100 %) à P10 (10 %), par incréments de 10 %.

RÉGLAGE DE LA PUISSANCE DYNAMIQUE

Les réglages du menu par type d'aliment incluent des durées de cuisson et des niveaux de puissance prédéfinis afin de garantir les meilleurs résultats. Toutefois, afin de répondre à vos préférences personnelles, vous pouvez régler la durée et la puissance pendant le cycle de cuisson lorsque vous utilisez le mode manuel.

Lors de l'utilisation des fonctions décongélation, réchauffage, pop-corn, boisson ou menu par type d'aliment, seule la durée peut être réglée de manière dynamique.

En appuyant sur le bouton POWER, le niveau de puissance peut être augmenté ou diminué à tout moment au cours du cycle de cuisson.



REMARQUE

Ajuster le niveau de puissance pendant la cuisson n'a pas d'incidence sur la durée.

La durée peut également être réglée pendant le cycle de cuisson. En tournant la molette TIME, la durée peut être augmentée ou diminuée. En appuyant sur le bouton START, la durée est augmentée de 30 secondes.

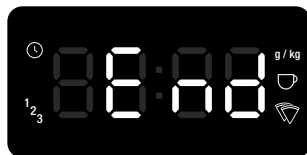
+30s DÉMARRAGE INSTANTANÉ +30 SEC

Appuyez sur le bouton START/Instant +30 pour commencer la cuisson instantanément pendant 30 secondes à une puissance de 100 %. Chaque pression supplémentaire augmente la durée de cuisson de 30 secondes.

LORSQUE LA CUISSON EST TERMINÉE

À la fin de chaque cycle de cuisson, le four à micro-ondes émet trois bips et le mot « End » (fin) clignote à l'écran.

Le mot « End » continue de clignoter à l'écran pendant 5 minutes ou jusqu'à ce que la porte soit ouverte.



⊗ STOP/CLEAR (STOP/ANNULER)

Appuyez une fois sur STOP/CLEAR pendant le cycle de cuisson pour mettre la cuisson en pause. Appuyez une nouvelle fois sur ce bouton pour annuler la cuisson et revenir à l'écran par défaut.

🔇 MUTE (SILENCIEUX)

Ce programme vous permet de couper le son du four à micro-ondes pendant son fonctionnement.

Afin de couper le son du micro-ondes, appuyez sur le bouton MUTE de l'interface. Lorsque le programme MUTE est sélectionné, le micro-ondes n'émet aucun bip et l'écran affiche le texte « OFF ».



Pour rétablir le son, appuyez une seconde fois sur le bouton MUTE.



Fonctions de cuisson

Popcorn

Le réglage POPCORN est conçu pour faire éclater le nombre maximum de grains de maïs dans chaque sachet.

Pour sélectionner ce réglage, appuyez sur le bouton POPCORN. Placez le sachet au centre du plateau tournant.

Tournez la molette TIME pour sélectionner le poids ou appuyez à nouveau sur le bouton POPCORN et appuyez sur START pour commencer la cuisson.

Les poids disponibles sont 25 g, 85 g et 100 g.



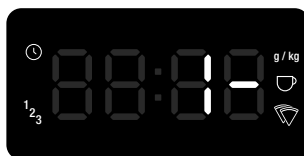
Beverage (boisson)

Le réglage BEVERAGE permet de réchauffer des boissons chaudes qui ont refroidi comme le café et le thé. Le réglage BEVERAGE réchauffe votre boisson à environ 60-65 °C, ce qui vous permet de la boire tout de suite.

Pour sélectionner ce réglage, appuyez sur le bouton BEVERAGE. Placez la tasse au centre du plateau tournant.

Tournez la molette TIME pour sélectionner le nombre de tasses ou appuyez à nouveau sur le bouton BEVERAGE et appuyez sur START pour commencer le réchauffage. Vous pouvez sélectionner la quantité de boisson de 1 tasse (240 ml) à 4 tasses (960 ml).

À la fin du cycle de réchauffage, mélangez les boissons chaudes et laissez reposer pendant 1 à 2 minutes avant de les consommer. Sachez que la surchauffe peut ébouillanter ou brûler vos boissons.



FOOD MENU (MENU PAR TYPE D'ALIMENT)

Le réglage FOOD MENU est conçu pour cuire automatiquement à la puissance correcte pendant la durée appropriée.

Selon l'aliment sélectionné, l'indicateur à l'écran du four à micro-ondes change. Ces indicateurs permettent d'indiquer quelle quantité ou quel volume peut être ajusté pour chaque fonction.

Potatoes (pommes de terre)

Le réglage POTATOES est conçu pour cuire parfaitement les pommes de terre entières au micro-ondes.

Avant la cuisson, percez chaque pomme de terre avec une fourchette 5 à 6 fois. Déposez les pommes de terre entières en une seule couche sur la surface du plateau tournant.

Pour sélectionner ce réglage, appuyez une fois sur le bouton FOOD MENU. Le réglage POTATOES correspond au code F-1.

Lorsque le réglage POTATOES est sélectionné, l'écran se présente comme suit :

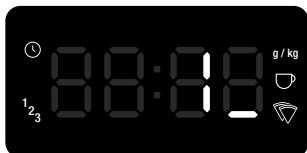


Tournez la molette TIME pour sélectionner le nombre de pommes de terre et appuyez sur START pour commencer la cuisson. Vous pouvez sélectionner de 1 (285 g) à 3 (850 g) pommes de terre.

Pizza

Le réglage PIZZA a été spécialement conçu pour réchauffer parfaitement les parts de pizza restantes.

Pour sélectionner ce réglage, appuyez deux fois sur le bouton FOOD MENU. Le réglage PIZZA correspond au code F-2. Lorsque le réglage PIZZA est sélectionné, l'écran se présente comme suit :



Tournez la molette TIME pour sélectionner le nombre de parts et appuyez sur START pour commencer la cuisson. Vous pouvez sélectionner de 1 à 4 parts de pizza.

Frozen Vegetables (Légumes surgelés)

Le réglage FROZEN VEGETABLES convient à une sélection de légumes surgelés tels que les carottes, les brocolis, les choux-fleurs et les pois. Les temps de cuisson sont basés sur les légumes du congélateur (environ -18 °C).

Pour sélectionner ce réglage, appuyez trois fois sur le bouton FOOD MENU. Le réglage FROZEN VEGETABLES correspond au code F-3. Lorsque le réglage FROZEN VEGETABLES est sélectionné, l'écran se présente comme suit :



Tournez la molette TIME pour sélectionner le poids et appuyez sur START pour commencer la cuisson. Vous pouvez sélectionner 125 g, 250 g, 375 g et 500 g. Couvrez à l'aide d'un couvercle en plastique ventilé adapté aux micro-ondes ou d'un film alimentaire résistant aux micro-ondes. Il n'est pas nécessaire d'ajouter de l'eau.

Une fois la cuisson terminée, laissez reposer les légumes pendant 5 minutes avant de servir.

DEFROST (DÉCONGELER)

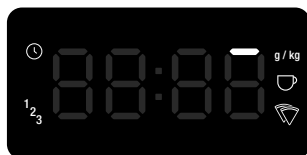
Le réglage DEFROST (décongeler) est conçu pour décongeler délicatement les aliments sans les surchauffer et sans les dessécher sur les bords.

Après le cycle de décongélation, la plupart des aliments seront encore un peu glacés au centre lorsqu'ils sont retirés du four à micro-ondes. Laissez reposer les aliments 5 à 15 minutes jusqu'à ce qu'ils soient complètement décongelés.

Pour sélectionner ce réglage, appuyez sur le bouton DEFROST de l'interface principale. Le réglage vous permettra de décongeler en fonction du poids ou de la durée.

Defrost by Weight (décongeler selon le poids)

Pour décongeler selon le poids, appuyez sur le bouton DEFROST (décongeler). Lorsque le mode Defrost by Weight est sélectionné, l'écran LED apparaît comme ci-dessous :

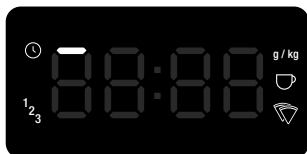


Tournez la molette TIME pour sélectionner le poids souhaité. La gamme de poids est comprise entre 100 g et 1,5 kg. Appuyez sur START pour commencer.



Defrost by Time (décongeler selon la durée)

Pour décongeler selon le temps, appuyez deux fois sur le bouton DEFROST. Lorsque le mode Defrost by Time est sélectionné, l'écran LED apparaît comme ci-dessous :



Tournez la molette TIME pour sélectionner la durée souhaitée et appuyez sur START pour commencer.

REHEAT (RÉCHAUFFER)

Le réglage REHEAT utilise des niveaux de puissance plus faibles pour réchauffer doucement les aliments sans les dessécher ni trop les cuire.

Pour sélectionner ce réglage, appuyez sur le bouton REHEAT.

Tournez la molette TIME pour sélectionner la durée souhaitée et appuyez sur START pour commencer.



Conseils et astuces

QUELQUES CONSEILS IMPORTANTS POUR LA CUISSON AU MICRO- ONDES

Afin de répartir l'énergie de manière égale dans les aliments pour qu'ils cuisent uniformément, suivez ces conseils utiles.

- Disposez les aliments dont les extrémités sont de différentes tailles, comme les pilons de poulet et les brocolis, en plaçant la partie la plus épaisse ou la plus dure à l'extérieur du plat. Ainsi, les parties qui nécessitent davantage de cuisson reçoivent plus d'énergie, de sorte que les aliments cuisent de façon uniforme.
- Couvrir le plat pendant la cuisson maintient la chaleur et la vapeur pour accélérer le temps de cuisson. Utilisez un couvercle adapté au micro-ondes ou un film alimentaire qui a été ventilé en retournant un bord sur le côté du plat afin de former une petite ouverture permettant de libérer l'excès de vapeur.
- Choisissez des plats peu profonds. Les plats peu profonds permettent aux aliments de cuire plus rapidement.
- Disposez les éléments individuels tels que les ramequins ou les pommes de terre entières sur l'extérieur du plateau tournant. Veillez à laisser un espace entre les éléments pour que l'énergie puisse pénétrer de tous les côtés.
- Utilisez des plats à micro-ondes de forme ronde. Les plats ronds cuisent plus uniformément que les plats carrés ou rectangulaires qui absorbent la plus grande partie de l'énergie dans les angles, ce qui provoque une surcuisson et un durcissement des aliments.

- Remuez les aliments de l'extérieur vers le centre du plat une ou deux fois pendant la cuisson pour égaliser la chaleur et accélérer l'action du micro-ondes.
- Retournez les aliments de moyenne à grande taille deux fois au cours de la cuisson au micro-ondes. Cela permet une exposition uniforme aux micro-ondes.
- Il peut être intéressant de placer en hauteur certains types d'aliments comme les gâteaux, les légumes rôtis et les produits à base de pâte. Cela permet à plus d'énergie de pénétrer les aliments de tous les côtés, à la base et sur le dessus. Utilisez un support en plastique ou en céramique résistant aux micro-ondes. Si vous n'avez pas de support, utilisez une tasse ou un bol retourné pour surélever les assiettes contenant les aliments.
- Ne surélevez pas les plats caramélisés spéciaux, les récipients remplis de sauce ou de crème anglaise, les petites quantités de nourriture ou les tasses de boissons.
- La température interne des aliments continue d'augmenter de sorte qu'ils continuent à cuire même après avoir été retirés du four à micro-ondes. Il est préférable de ne pas trop cuire les aliments, car ils continueront à cuire une fois retirés du four à micro-ondes.

USTENSILES POUR MICRO-ONDES

- Les récipients, assiettes, plats, etc. utilisés dans le four à micro-ondes doivent toujours être compatibles avec le four à micro-ondes. Vérifiez l'indication sur le dessous de l'ustensile ou contactez le fabricant.
- Pour vérifier si un récipient, une assiette ou un plat est adapté au micro-ondes, placez-le dans le four à micro-ondes avec 1 tasse d'eau froide (dans une tasse allant au micro-ondes) et faites chauffer pendant 1 minute à puissance maximale. Si le récipient est chaud et que l'eau est froide, le récipient n'est pas adapté à une utilisation au micro-ondes. Si le récipient est froid et que l'eau est chaude, le récipient est adapté à une utilisation au micro-ondes.
- Les ustensiles de cuisine adaptés au micro-ondes ne chauffent grâce à l'énergie du micro-ondes, mais par contact avec des aliments chauds. Lorsque la nourriture devient chaude, une partie de cette chaleur est transférée dans le plat. Utilisez toujours des gants de cuisine ou des torchons pour sortir les plats chauds du micro-ondes.
- Les récipients et ustensiles en métal ne doivent pas être utilisés dans le four à micro-ondes.



Entretien et nettoyage

- Débranchez la fiche de la prise de courant avant de procéder au nettoyage.
- Veillez à ce que l'intérieur du four à micro-ondes reste propre. Lorsque des éclaboussures d'aliments ou des liquides renversés adhèrent aux parois internes du micro-ondes, essuyez-les avec un chiffon humide. Un détergent doux peut être utilisé si la cavité est très sale. Évitez d'utiliser des sprays et autres nettoyants agressifs car ils peuvent tacher, rayer ou ternir la surface de la porte.
- Les surfaces extérieures doivent être nettoyées à l'aide d'un chiffon humide. Pour éviter d'endommager les pièces de fonctionnement à l'intérieur de la cavité du four à micro-ondes, ne laissez pas l'eau s'infiltrer dans les ouvertures de ventilation.
- Essuyez régulièrement la porte et la fenêtre des deux côtés des joints d'étanchéité de la porte et des pièces adjacentes avec un chiffon humide pour éliminer les liquides renversés ou les éclaboussures. N'utilisez pas de nettoyage abrasif.
- Ne laissez pas le panneau de commande humide. Nettoyez avec un chiffon doux et humide. Lors du nettoyage du panneau de commande, laissez la porte du four à micro-ondes ouverte pour éviter qu'il ne s'allume accidentellement.
- Si de la vapeur s'accumule à l'intérieur ou autour de l'extérieur de la porte du four, essuyez avec un chiffon doux et sec. Cela peut se produire lors de la cuisson d'aliments contenant beaucoup d'eau ou si le four à micro-ondes fonctionne dans des conditions d'humidité élevée. Il s'agit d'un phénomène normal.
- Il est parfois nécessaire de retirer le plateau tournant en verre pour le nettoyer. Lavez le plateau tournant en verre à l'eau chaude savonneuse, rincez à l'eau claire puis séchez-les soigneusement.
- L'anneau de guidage du plateau tournant en verre et le plancher du micro-ondes doivent être nettoyés régulièrement afin que le plateau tournant en verre tourne correctement et pour éviter qu'il ne fasse trop de bruit. Essayez simplement la surface inférieure du four à micro-ondes avec un chiffon doux et humide. Le plateau tournant en verre peut être lavé à l'eau tiède savonneuse, puis rincé à l'eau claire et séché soigneusement. Lorsque vous retirez l'anneau de guidage du plateau tournant du plancher de la cavité pour le nettoyer, veillez à le replacer dans la bonne position.
- Éliminez les odeurs de votre four à micro-ondes en y plaçant un bol profond adapté au micro-ondes rempli d'eau mélangée au jus d'un citron, puis en faisant fonctionner le micro-ondes à puissance maximale pendant 5 minutes. Essayez soigneusement la cavité du four à micro-ondes et séchez-la avec un chiffon doux.
- Lorsqu'il devient nécessaire de remplacer l'éclairage du four, veuillez consulter votre centre de réparation Sage pour procéder au remplacement.
- Ne jetez pas cet appareil avec les ordures ménagères ; vous devez le déposer dans un centre de tri des déchets approprié fourni par votre municipalité.
- Si vous rangez votre four à micro-ondes, appuyez sur le bouton STOP/CLEAR et débranchez le cordon d'alimentation. Assurez-vous que le four à micro-ondes est complètement froid, propre et sec. Fixez l'anneau de guidage et le plateau tournant en verre et fermez la porte. Ne placez pas d'objets lourds sur l'appareil. Rangez le four à micro-ondes en position verticale.

AVANT D'APPELER LE SERVICE DE RÉPARATION

- Vérifiez que le four est branché correctement. Si ce n'est pas le cas, débranchez la fiche de la prise de courant, attendez 10 secondes et rebranchez-la correctement.
- Vérifiez si un fusible du circuit a sauté ou si un disjoncteur principal s'est déclenché. Si ces derniers semblent fonctionner correctement, testez la prise de courant avec un autre appareil.
- Vérifiez que le panneau de commande est programmé correctement et que la minuterie est réglée.
- Vérifiez que la porte est bien fermée en enclenchant le système de verrouillage de sécurité de la porte. Sinon, le système de verrouillage de sécurité de la porte empêche le micro-ondes de fonctionner.



REMARQUE

Si aucune des solutions ci-dessus ne rectifie la situation, contactez votre centre de réparation Sage. N'essayez pas d'adapter ou de réparer le four vous-même.



Dépannage

PROBLÈME

SOLUTION FACILE

Le four à micro-ondes interfère avec des équipements radio, télévision ou similaires

- Nettoyez la porte et la surface d'étanchéité du four.
- Réorientez l'antenne de réception de la radio ou de la télévision.
- Déplacez le four à micro-ondes par rapport au récepteur.
- Éloignez le four à micro-ondes du récepteur.
- Branchez le four à micro-ondes sur une prise différente de sorte que le four à micro-ondes et le récepteur soient sur des circuits de dérivation différents.

Éclairage du four à micro-ondes de faible intensité

- Lorsque l'appareil fonctionne à faible puissance, l'éclairage du four à micro-ondes peut être plus faible.

La vapeur s'accumule sur la porte et l'air chaud s'échappe par les ouvertures

- Il se peut que de la vapeur soit produite au cours du fonctionnement. La majorité de la vapeur va s'échapper par les ouvertures ; cependant, une partie peut s'accumuler autour de la porte du four.

PROBLÈME POSSIBLE

CAUSE POSSIBLE

SOLUTION FACILE

Le four à micro-ondes ne démarre pas

- Le cordon d'alimentation n'est pas branché correctement.
- Fusible ayant sauté ou problème de disjoncteur.
- Problème avec la prise de courant.

- Débranchez, puis rebranchez et allumez l'appareil.
- Remplacez le fusible ou réinitialisez le disjoncteur.
- Demandez à un professionnel de vérifier si la prise est défectueuse.

Le four à micro-ondes ne chauffe pas

- Porte mal fermée.

- Assurez-vous que la porte est bien fermée.

Le plateau tournant en verre fait du bruit pendant le fonctionnement.

- L'anneau de guidage du plateau tournant n'est pas monté correctement ou doit être nettoyé.

- Remettez-le en place et nettoyez-le si nécessaire.



Garantie

GARANTIE LIMITÉE DE 2 ANS

Sage Appliances garantit ce produit pour un usage domestique sur les territoires spécifiés pendant 2 ans à compter de la date d'achat, contre les défauts de fabrication et de matériaux. Au cours de cette période de garantie, Sage Appliances s'engage à réparer, remplacer ou rembourser tout produit défectueux (à sa seule discrétion).

Tous les droits de garantie légaux en vertu de la législation nationale applicable seront respectés et ne seront pas compromis par notre garantie. Pour connaître les conditions générales complètes relatives à la garantie ou pour obtenir des instructions sur la manière de déposer une réclamation, rendez-vous sur www.sageappliances.com.

Déclaration à l'intention du consommateur

SAGE FRANCE - GARANTIE LIMITÉE

Sage Appliances garantit ce produit pour un usage domestique sur les territoires spécifiés pendant 2 ans à compter de la date d'achat initiale du produit contre les défauts de fabrication et de matériaux. La période de garantie peut-être supérieure pour certains produits ou pour certaines pièces de produits. Au cours de cette période de garantie, Sage Appliances s'engage à réparer, remplacer ou rembourser tout produit défectueux (à sa seule discrétion).

Tous les droits de garantie légaux en vertu de la législation nationale applicable seront respectés et ne seront pas compromis par notre garantie. Pour connaître les conditions générales complètes relatives à la garantie ou pour obtenir des instructions sur la manière de déposer une réclamation, rendez-vous sur www.sageappliances.com.

Les dispositions de la présente garantie ne sont pas exclusives du bénéfice, au profit de l'acheteur, de la garantie légale de conformité prévue par les articles L. 217-4 et suivants du Code de la consommation, ainsi que de la garantie des vices cachés prévue par les articles 1641 et suivants du Code civil, qui sont en tout état de cause applicables et ce même en l'absence d'application ou en cas d'exclusion de la garantie conventionnelle.

Lorsqu'il agit en garantie légale de conformité, le consommateur :

- bénéficie d'un délai de deux ans à compter de la délivrance du bien pour agir ;
- peut choisir entre la réparation ou le remplacement du bien, sous réserve des conditions de coût prévues par l'article L. 217-9 du code de la consommation ;
- est dispensé de rapporter la preuve de l'existence du défaut de conformité du bien durant les vingt-quatre mois suivant la délivrance du bien.

La garantie légale de conformité s'applique indépendamment de la garantie commerciale éventuellement consentie.

Le consommateur peut décider de mettre en œuvre la garantie contre les défauts cachés de la chose vendue au sens de l'article 1641 du Code civil ; dans cette hypothèse, il peut choisir entre la résolution de la vente ou une réduction du prix de vente conformément à l'article 1644 du Code civil.

Article L. 217-4 du Code de la consommation :

« Le vendeur livre un bien conforme au contrat et répond des défauts de conformité existant lors de la délivrance. Il répond également des défauts de conformité résultant de l'emballage, des instructions de montage ou de l'installation lorsque celle-ci a été mise à sa charge par le contrat ou a été réalisée sous sa responsabilité. »

Article L. 217-5 du Code de la consommation :

« Le bien est conforme au contrat : 1° S'il est propre à l'usage habituellement attendu d'un bien semblable et, le cas échéant :

- s'il correspond à la description donnée par le vendeur et possède les qualités que celui-ci a présentées à l'acheteur sous forme d'échantillon ou de modèle ;
- s'il présente les qualités qu'un acheteur peut légitimement attendre eu égard aux déclarations publiques faites par le vendeur, par le producteur ou par son représentant, notamment dans la publicité ou l'étiquetage;

2° Ou s'il présente les caractéristiques définies d'un commun accord par les parties ou est propre à tout usage spécial recherché par l'acheteur, porté à la connaissance du vendeur et que ce dernier a accepté. »

Article L 217-12 du Code de la consommation :

« L'action résultant du défaut de conformité se prescrit par deux ans à compter de la délivrance du bien. »

Article L 217-16 du Code de la consommation :

« Lorsque l'acheteur demande au vendeur, pendant le cours de la garantie commerciale qui lui a été consentie lors de l'acquisition ou de la réparation d'un bien meuble, une remise en état couverte par la garantie, toute période d'immobilisation d'au moins sept jours vient s'ajouter à la durée de la garantie qui restait à courir. Cette période court à compter de la demande d'intervention de l'acheteur ou de la mise à disposition pour réparation du bien en cause, si cette mise à disposition est postérieure à la demande d'intervention. »

Article 1641 du Code de la consommation :

« Le vendeur est tenu de la garantie à raison des défauts cachés de la chose vendue qui la rendent impropre à l'usage auquel on la destine, ou qui diminuent tellement cet usage que l'acheteur ne l'aurait pas acquise, ou n'en aurait donné qu'un moindre prix, s'il les avait connus. »

Article 1648, al.1er du Code civil :

« L'action résultant des vices rédhibitoires doit être intentée par l'acquéreur dans un délai de deux ans à compter de la découverte du vice. »

the Compact Wave™ Soft Close

SMO650 EU



NL SNEELSTARTGIDS

Sage®



Inhoud

- 2 Sage stelt veiligheid voorop
- 14 Onderdelen
- 15 Ingebruikname
- 17 Functies
- 19 Bereidingsfuncties
- 21 Suggesties en tips
- 23 Onderhoud en reiniging
- 25 Problemen oplossen
- 26 Garantie

SAGE STELT VEILIGHEID VOOROP

Bij Sage gaan we veiligheidsbewust te werk. Bij het ontwerpen en produceren van onze consumentenproducten staat de veiligheid van onze gewaardeerde klanten voorop. Daarnaast vragen wij u voorzichtig om te gaan met elektrische apparaten en de volgende voorzorgsmaatregelen in acht te nemen.

BELANGRIJKE VEILIGHEIDS- MAATREGELEN



WAARSCHUWING

Om het risico op brandwonden, elektrische schokken, brand, lichamelijk letsel of overmatige blootstelling aan microgolven te verminderen:

**LEES ALLE INSTRUCTIES
VÓÓR GEBRUIK EN BEWAAR
DEZE VOOR TOEKOMSTIGE
NASLAG**

**Een downloadbare
versie van dit document
is ook beschikbaar op
sageappliances.com**

- Zorg er vóór het eerste gebruik voor dat uw elektriciteitsvoorziening dezelfde is als die op het label aan de onderkant van het apparaat.
- Verwijder de micaplaat in de holte aan de rechterzijde niet. Deze maakt namelijk geen deel uit van de verpakking en moet in de magnetronruimte blijven om een veilige werking te

- garanderen. Raadpleeg het gedeelte over de onderdelen van SMO650 op pagina 14.
- Verwijder het verpakkingsmateriaal en eventuele promotielabels en gooi ze op een veilige manier weg voordat u de Sage-magnetron voor het eerst gebruikt.
 - Lees en volg de **VOORZORGSMATREGELEN OM MOGELIJKE OVERMATIGE BLOOTSTELLING AAN MICROGOLVEN TE VERMIJDEN** op pagina 10.
 - Het apparaat moet worden geaard. Sluit het alleen aan op een goed geaard stopcontact. Zie **AARDINGSINSTRUCTIES** op pagina 12.
 - Installeer en plaats dit apparaat alleen in overeenstemming met de meegeleverde installatie-instructies op pagina 15.
 - Bepaalde producten zoals hele eieren en gesloten containers mogen niet in deze magnetron worden opgewarmd. Zo kunnen afgesloten glazen potten bijvoorbeeld ontploffen.
 - Gebruik dit apparaat alleen voor het beoogde gebruik, zoals beschreven in de handleiding. Gebruik geen bijtende chemische producten of dampen in dit apparaat. Dit type magnetron is specifiek ontworpen om voedsel te verwarmen of bereiden. Dit apparaat is niet ontworpen voor industrieel of laboratoriumgebruik.
 - Zoals bij elk apparaat moet nauwlettend toezicht worden gehouden op kinderen die het apparaat gebruiken.
 - Dit apparaat kan worden gebruikt door kinderen van 8 jaar en ouder en personen met beperkte fysieke, zintuiglijke of mentale capaciteiten of een gebrek aan ervaring en kennis, mits zij worden begeleid of instructies hebben gekregen over het veilige gebruik van het apparaat en de gevaren ervan begrijpen. Laat kinderen niet met het

- apparaat spelen. Kinderen mogen het apparaat niet zonder begeleiding reinigen of onderhouden.
- Dit apparaat is niet bedoeld voor gebruik door mensen (inclusief kinderen) met beperkte fysieke, zintuiglijke of mentale capaciteiten, of gebrek aan ervaring en kennis, tenzij ze worden begeleid of instructies hebben gekregen over het gebruik door een persoon die verantwoordelijk is voor hun veiligheid.
 - Laat kinderen niet met het apparaat spelen.
 - Gebruik dit apparaat niet als het snoer of de stekker is beschadigd, als het apparaat niet goed werkt of als het is beschadigd of gevallen.
 - Dit apparaat mag alleen worden onderhouden door gekwalificeerd personeel.
 - Neem contact op met het dichtstbijzijnde geautoriseerde servicecentrum voor onderzoek, reparatie of aanpassing.
 - Bedek of blokkeer geen openingen op het apparaat.
 - Bewaar dit apparaat niet buiten.
 - Gebruik dit product niet in de buurt van water, bijvoorbeeld in de buurt van een gootsteen, in een natte kelder, in de buurt van een zwembad enz.
 - Dompel het netsnoer, de stekker of het apparaat niet onder in water of een andere vloeistof.
 - Houd het snoer uit de buurt van warme oppervlakken.
 - Zorg dat het netsnoer niet over de rand van een tafel of aanrecht hangt, in aanraking komt met hete oppervlakken of in de knoop raakt.
 - Maak het oppervlak tussen de deur en de magnetron (het oppervlak waartegen de deur sluit) schoon met niet-schurende zeep of reinigingsmiddelen en een spons of zachte doek. Als u het apparaat schoonmaakt met bijtende chemische stoffen, raakt het apparaat beschadigd en kan dit tot stralingslekken leiden.

- Om het risico op brand in de magnetronruimte te voorkomen:
- Zorg dat het eten niet te gaar wordt. Als u papier, plastic of andere brandbare materialen gebruikt om het bereidingsproces te vereenvoudigen, moet u de magnetron nauwlettend in de gaten houden.
- Verwijder ijzeren sluitingen van papieren of plastic zakken voordat u ze in de magnetron plaatst.
- In het geval dat materiaal in de magnetron vlam vat, houdt u de magnetrondeur gesloten, schakelt u de magnetron uit en koppelt u het netsnoer los of schakelt u de stroom aan de zekering of de stroomonderbreker uit.
- Gebruik de magnetron niet om dingen in te bewaren. Laat geen papieren producten, kookgerei of voedsel in de magnetron liggen wanneer deze niet in gebruik is.
- Gooi het beschermkapje op de stekker van de Sage-magnetron op een veilige manier weg om verstikkingsgevaar bij jonge kinderen te voorkomen.
- Plaats de magnetron tijdens gebruik niet op de rand van een aanrecht of tafel. Zorg ervoor dat alle oppervlakken vlak, schoon en vrij van water en andere stoffen zijn.
- Plaats de magnetron niet op of in de buurt van een heet gasfornuis of elektrische kookplaat, of ergens waar het apparaat in contact kan komen met een verwarmde oven.
- Zorg bij de installatie en het gebruik van de magnetron voor voldoende ruimte boven en rondom het apparaat, zoals aanbevolen in het gedeelte Installatie op pagina 15.
- Plaats de magnetron niet in een kast of in een afgesloten ruimte, want dit kan tot oververhitting leiden. (Raadpleeg het gedeelte Installatie op pagina 15).
- Gebruik de magnetron altijd op een hittebestendig oppervlak. Gebruik het apparaat niet op een oppervlak dat met een doek is bedekt, in de buurt

- van gordijnen of andere brandbare materialen.
- Gebruik de magnetron niet op een metalen oppervlak.
 - Controleer altijd of alle onderdelen van de magnetron op de juiste manier zijn geplaatst voordat u deze aansluit op een stopcontact en gebruikt. Gebruik de magnetron niet zonder het glazen draaiplateau en de meenemer. Zorg ervoor dat het glazen draaiplateau op de juiste manier op de meenemer is geplaatst.
 - De magnetron is niet ontworpen om te worden bediend met behulp van een externe timer of een afzonderlijk afstandsbedieningssysteem.
 - De magnetron mag alleen worden gebruikt als er etenswaren of water in zitten. Als de magnetron wordt gebruikt wanneer deze leeg is, kan deze beschadigd raken.
 - Laat de magnetron niet onbeheerd achter tijdens gebruik.
 - Raak hete oppervlakken niet aan.
 - Laat de magnetron afkoelen voordat u onderdelen verplaatst of schoonmaakt.
 - Zorg dat het netsnoer van de magnetron in de volgende situaties niet op het stopcontact is aangesloten: bij verplaatsing, wanneer het niet in gebruik is, wanneer het onbeheerd wordt achtergelaten, wanneer de onderdelen eruit worden gehaald of wanneer u het apparaat schoonmaakt of opbergt.
 - Schakel de magnetron altijd uit met de knop **STOPPEN/WISSEN** en haal de stekker uit het stopcontact wanneer de magnetron niet in gebruik is.
 - Druk vóór het reinigen altijd op de knop **STOPPEN/REINIGEN** en trek de stekker uit het stopcontact.
 - Vloeistoffen, zoals water, koffie of thee, kunnen boven hun kookpunt worden verhit zonder dat ze lijken te koken of borrelen. **DIT KAN ERTOE LEIDEN DAT HETE VLOEISTOFFEN PLOTS OVERKOKEN ALS DE CONTAINER WORDT**

VERPLAATST OF HET OPPERVLAKE VAN DE VLOEISTOF WORDT VERSTOORD, OF ALS ER EEN LEPEL OF ANDER KEUKENGEREI IN DE VLOEISTOF WORDT GESTOKEN.



WAARSCHUWING

Als de deur of de afdichtingen van de deur beschadigd zijn, mag de magnetron niet worden gebruikt totdat deze door een bevoegd persoon is gerepareerd.



WAARSCHUWING

Voor niet-bevoegde personen is het gevaarlijk om onderhouds- of reparatiewerkzaamheden uit te voeren waarbij het plaatje wordt verwijderd dat bescherming biedt tegen blootstelling aan microgolven.



WAARSCHUWING

Verwarm vloeistoffen en andere etenswaren niet in afgesloten containers omdat deze kunnen ontploffen.

BELANGRIJKE VEILIGHEIDS- MAATREGELEN VOOR ALLE ELEKTRISCHE APPARATEN

- Wikkel het netsnoer volledig af voordat u het apparaat gebruikt.
- Het wordt aanbevolen om het apparaat regelmatig te inspecteren. Gebruik het apparaat niet als het netsnoer, de stekker of het apparaat op enigerlei wijze beschadigd is om gevaar te voorkomen. Staak het gebruik onmiddellijk en neem contact op met de klantenservice van Sage voor onderzoek, reparatie of aanpassing.
- Neem voor alle onderhoud behalve reiniging contact op met de klantenservice van Sage.
- Dit apparaat is alleen voor huishoudelijk gebruik. Gebruik het apparaat alleen voor het beoogde gebruik. Gebruik het apparaat niet in bewegende

voertuigen of boten, en gebruik het niet buitenshuis. Verkeerd gebruik kan tot letsel leiden.

- Een elektrische voeding van 230-240 volt, 50 Hz, alleen wisselstroom, 15-20 ampère, is vereist in overeenstemming met alle federale, regionale en plaatselijke voorschriften en verordeningen.
- We raden ook aan een apart circuit te gebruiken waarop alleen deze magnetron is aangesloten.
- Het apparaat wordt geleverd met een kort netsnoer om risico's op verstrikt raken of struikelen over een lang snoer te beperken.
- Het wordt aanbevolen een aardlekschakelaar te installeren voor extra veiligheid bij het gebruik van elektrische apparaten. Het is raadzaam om een veiligheidsschakelaar met een aardlekstroom van niet meer dan 30 mA te installeren in het elektrische circuit dat het apparaat voedt. Raadpleeg

uw elektricien voor professioneel advies.

- Het apparaat moet op een goed geaard stopcontact worden aangesloten. Raadpleeg een elektricien als u niet zeker weet of de stopcontacten correct zijn geaard.
- U mag in geen geval aanpassingen aan de stekker aanbrengen of een adapter gebruiken.

SPECIALE VEILIGHEIDS-INSTRUCTIES VOOR UW MAGNETRON

- Veeg na elk gebruik de binnenkant van de magnetron schoon met een zachte, vochtige doek. Als er voedselresten of vet in de magnetron achterblijven, kan de binnenkant van de magnetron oververhit raken, wat rook of brand tot gevolg kan hebben.
- Laat het glazen draaiplateau afkoelen tot kamertemperatuur, voordat u het wast of in koud water legt.
- De magnetron moet regelmatig worden gereinigd

en alle spatten aan de binnenkant moeten worden weggeveegd. Als de magnetron niet schoon wordt gehouden, kan het oppervlak beschadigd raken, wat van invloed is op de levensduur van de magnetron en mogelijk tot gevaarlijke situaties leidt.

- Gebruik geen stoomreiniger om de magnetron schoon te maken.
- De magnetron is bedoeld voor het verwarmen van etenswaren en dranken. Het drogen van voedingsmiddelen of kleding en het verwarmen van warmtekussens, slippers, sponzen, vochtige doeken en dergelijke kunnen leiden tot risico op letsel of brand.
- Zorg ervoor dat alle voedselcontainers en/of borden geschikt zijn voor gebruik in de magnetron. Controleer of ze geschikt zijn voordat u de magnetron gebruikt om eten te verwarmen of bereiden.
- Alle geschikte glazen of plastic voedselcontainers moeten worden gebruikt

met strikte inachtneming van de aanbevelingen van de fabrikant.

- Containers of borden die geschikt zijn voor gebruik in de magnetron mogen niet groter zijn dan het glazen draaiplateau, omdat dit de beweging van het draaiplateau kan belemmeren. Dit zorgt er mogelijk voor dat het eten ongelijkmatig gaar wordt, of aanbrandt en vlam vat.
- Etenswaren en/of vloeistoffen mogen niet rechtstreeks op het glazen draaiplateau worden verwarmd of bereid. Doe etenswaren en/of vloeistoffen in een container die geschikt is voor gebruik in de magnetron en plaats deze vervolgens op het glazen draaiplateau.
- Etenswaren en/of vloeistoffen mogen niet worden verwarmd of bereid in plastic of papieren containers of zakken, tenzij de fabrikant aangeeft dat ze hiervoor geschikt zijn, vanwege risico op ontploffing of brand.

- Gebruik geen gerecycled papier of keukenpapier tijdens het bereidingsproces. Gerecycled papier kan kleine stukjes metaal of andere onzuiverheden bevatten die vonken en/of brand kunnen veroorzaken.
- Gebruik geen metalen containers of keukengerei in de magnetron, want deze kunnen vonken en/of brand veroorzaken.
- Gebruik geen aluminiumfolie in de magnetron aangezien dit vonken en/of brand kan veroorzaken.
- Haal altijd de deksels of doppen van de containers wanneer u vloeistoffen en/of etenswaren in de magnetron plaatst.
- Haal deksels en doppen altijd van flesjes en potjes babyvoeding voordat u ze in de magnetron opwarmt. Om brandwonden na het verwarmingsproces te voorkomen, moet u de inhoud doorroeren of schudden en de temperatuur controleren vóór het opdienen.

- Controleer de temperatuur van eten of drinken dat in de magnetron is verwarmd of bereid altijd vóór het eten, drinken of opdienen.

VOORZORGSMATREGELEN OM MOGELIJKE OVERMATIGE BLOOTSTELLING AAN MICROGOLVEN TE VERMIJDEN

- Probeer deze magnetron niet met de deur open te gebruiken, aangezien dit kan leiden tot schadelijke blootstelling aan microgolven. De veiligheidsvergrendelingen mogen niet teniet worden gedaan of aangepast.
- Plaats geen voorwerpen tussen de voorkant van de magnetron en de deur en voorkom ophoping van vuilresten of reinigingsmiddelen op de afdichtvlakken.
- Staak het gebruik van de magnetron als de deur of de afdichtingen van de deur beschadigd zijn. Staak het gebruik onmiddellijk en neem contact op met de klantenservice van Sage voor onderzoek,

reparatie of aanpassing. Het is met name belangrijk dat de deur van de magnetron goed sluit en dat er geen schade is aan (1) de deur (verbogen), (2) scharnieren en vergrendelingen (gebroken of los), (3) deurafdichtingen en afdichtvlakken.

- Plaats geen voorwerpen tussen de deur en de deurstijl van de magnetron.
- De magnetron mag alleen worden afgesteld of gerepareerd door bevoegd onderhoudspersoneel.

OVERVERHITTE VLOEISTOFFEN

- Om risico op verwondingen te beperken:
- Zorg dat u de vloeistof niet oververhit.
- Roer zowel vóór als halverwege het proces in de vloeistof.
- Wanneer dranken in de magnetron worden verwarmd, kunnen deze overkoken. Wees altijd voorzichtig met dranken.
- Gebruik geen containers met rechte zijden en een smalle bovenkant.

- Laat de container na het verwarmen even in de magnetron staan voordat u deze eruit haalt.
- Wees uiterst voorzichtig wanneer u een lepel of ander keukengerei in de container steekt.
- Maak geen popcorn in de magnetron tenzij deze commercieel is verpakt voor gebruik in de magnetron. Er kunnen namelijk niet-gepofte korrels overblijven die dan oververhit raken en aanbranden. Gebruik geen olie tenzij aanbevolen door de fabrikant. Laat de popcorn niet langer poffen dan aangegeven in de instructies van de fabrikant (mag niet langer zijn dan 3 minuten). Langere bereiding kan brand veroorzaken.
- Als u ingrediënten met een membraan bereidt (bijvoorbeeld aardappelen, kippenlever, eierdooiers, oesters enz.) moet u het oppervlak eerst meermaals doorprikken zodat de stoom kan ontsnappen.

- Eieren in de schaal en hele hardgekookte eieren mogen niet in de magnetron worden bereid of verwarmd, omdat ze tijdens of na het bereidingsproces kunnen ontploffen, of zelfs nadat ze uit de magnetron zijn gehaald.
- Verhit geen olie of vet in de magnetron. Dit kan ervoor zorgen dat de magnetron en/of de olie oververhit raakt en/of vlam vat.
- Als er sprake is van rookvorming, schakel de magnetron dan uit en haal de stekker uit het stopcontact. Houd de deur dicht om eventuele vlammen te smoren.
- Probeer de magnetron niet op een andere manier te gebruiken dan beschreven in deze handleiding.
- Controleer vóór gebruik of toebehoren geschikt zijn voor gebruik in de magnetron.
- Haal het netsnoer niet uit het stopcontact en blijf er af terwijl de magnetron werkzaam is.
- Wikkel het snoer losjes op wanneer u de magnetron opbergt. Wikkel het snoer niet rond de magnetron.
- Wanneer u eten in plastic of papieren verpakkingen opwarmt, moet u de magnetron goed in de gaten houden vanwege risico op brand.
- Het glazen venster is speciaal behandeld om het sterker, duurzamer en veiliger te maken dan gewoon glas, maar het is niet onbreekbaar. Als de magnetron valt of het glas extreem hard wordt geraakt, kan het breken of verzwakken en later zonder duidelijke oorzaak verbrijzelen.
- Als u vonken of flitsen in de magnetron ziet, drukt u op de knop STOP/WISSEN en lost u het probleem op, of neemt u contact op met de klantenservice van Sage voor hulp.

AARDINGSINSTRUCTIES



WAARSCHUWING

Onjuiste aarding kan leiden tot een elektrische schok.

- Dit apparaat beschikt over een netsnoer met aardingsdraad en geaarde stekker. Het apparaat moet worden geaard via een goed geaard stopcontact. In het geval van elektrische kortsluiting vermindert aarding het risico op elektrische schokken.
- Knip of verwijder in geen geval het aardcontact van de stekker en gebruik geen adapter.
- Raadpleeg een gekwalificeerde elektricien als u de aardingsinstructies niet volledig begrijpt, of twijfelt of het apparaat correct geaard is.
- Gebruik geen verlengsnoer. Als het netsnoer te kort is, laat een gekwalificeerde elektricien of onderhoudstechnicus dan een stopcontact plaatsen in de buurt van het apparaat.



LET OP

Wijzigingen of aanpassingen die niet uitdrukkelijk zijn goedgekeurd door de partij die verantwoordelijk is voor naleving, kan de bevoegdheid van de gebruiker om het product te gebruiken ongeldig maken.

SPECIFICATIES

Stroomverbruik	230–240V ~ 50Hz 1250 W
Uitgangsvermogen	800 W - 2450 MHz
Afmetingen van buitenkant	29,2 cm / 292 mm (H) 48,5 cm / 485 mm (B) 41,7 cm / 417 mm (D) met handgreep 38,7 cm / 387 mm (D) zonder handgreep
Diameter van glazen draaiplateau	27 cm (270 mm)
Nettogewicht	Ongeveer 12,85 kg
Capaciteit van magnetron	25 liter

Deze specificaties kunnen zonder enige kennisgeving worden gewijzigd.

**ALLEEN VOOR HUISHOUELIJK
GEBRUIK
BEWAAR DEZE INSTRUCTIES**



Onderdelen



- A. Kijkvenster
- B. Handgreep: Trek aan de handgreep om de deur te openen.
- C. Led-scherm
- D. Knop VERMOGEN:
Het standaardvermogen is P100 (100%).
Wanneer nogmaals op de knop VERMOGEN wordt gedrukt, neemt het vermogen af van P100 (100%) naar P10 (10%) in stappen van 10%.
- E. Functies ONTDOOIEN en OPWARMEN
- F. Functie POPCORN
- G. Functie VOEDINGSMENU
- H. Functie DRANKEN
- I. Draaiknop TIJD
- J. Dempknop
- K. Knop DIRECT STARTEN MET +30 SECONDEN. Bij elke druk op de knop worden 30 seconden toegevoegd bij 100% vermogen.
- L. Knop STOPPEN/WISSEN/
KINDERSLOT. Houd de knop STOPPEN/
WISSEN 3 seconden ingedrukt om het kinderslot te activeren.
- M. Knop KLOK
- N. Micaplaat
Niet verwijderen om veilige werking te garanderen.

CE **Classificatiegegevens**
230-240V ~ 50Hz 1250 W



Ingebruikname

VOOR HET EERSTE GEBRUIK

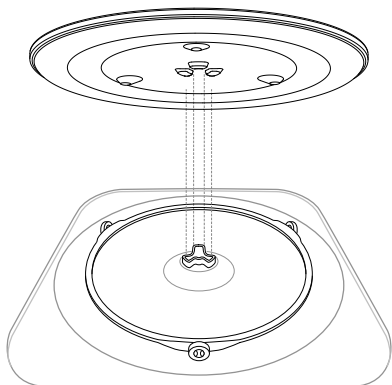
Verwijder voor het eerste gebruik alle promotiestickers en verpakkingsmateriaal. Pak de magnetron voorzichtig uit en bewaar al het verpakkingsmateriaal totdat u zeker weet dat u alle onderdelen heeft en op de juiste manier in de magnetron heeft geplaatst. Het is raadzaam al het verpakkingsmateriaal op een veilige plek te bewaren voor het geval dat u het product opnieuw wilt inpakken voor verzending.

Het is mogelijk dat er zich tijdens het verpakken wat stof heeft opgehoopt. Was daarom vóór gebruik het draaiplateau en de meenemer af in warm zeepsop, spoel na met schoon water en droog ze af. Veeg de binnen- en buitenkant van de magnetron schoon met een zachte, vochtige doek en droog alles grondig af.

GLAZEN DRAAIPLATEAU IN ELKAAR ZETTEN

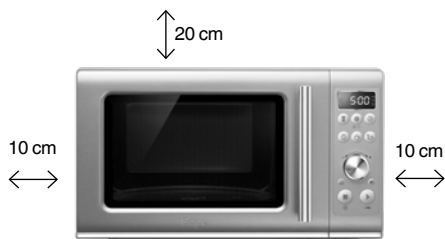
Plaats de meenemer van het draaiplateau in de ingesprongen ruimte onderaan in de magnetron.

Zet het glazen draaiplateau op de meenemer en zorg dat deze in het midden goed is uitgelijnd.



DE MAGNETRON INSTALLEREN EN AANZETTEN

- Deze magnetron is bedoeld voor gebruik als een vrijstaand apparaat.
- Kies een vlak oppervlak met voldoende open ruimte voor de in- en uitlaatopeningen.
- Zorg voor minimaal 10 cm (4") afstand tussen de magnetron en de muur.
- Zorg voor minimaal 20 cm (8") afstand boven de magnetron.
- De voetjes aan de onderkant van de magnetron mogen niet worden verwijderd.
- Als u de in- en uitlaatopeningen blokkeert, kan de magnetron beschadigd raken.
- Zet de magnetron zo ver mogelijk uit de buurt van radio's en televisietoestellen.
- Het gebruik van de magnetron kan de ontvangst van uw radio of tv verstoren.
- Sluit uw magnetron aan op een standaardstopcontact. Zorg dat de spanning en frequentie hetzelfde zijn als de spanning en frequentie op het specificatielabel.
- De magnetron mag niet in een kast worden geplaatst.





WAARSCHUWING

- Om overbelasting van het elektrische circuit te voorkomen, wordt aanbevolen om geen andere apparaten op hetzelfde circuit aan te sluiten als uw magnetron (of andere producten) wanneer deze in gebruik is.
- Plaats de magnetron niet op een fornuis of andere apparaten die warmte genereren. Als de magnetron in de buurt van of boven een warmtebron wordt geplaatst, kan de magnetron beschadigd raken en vervalt de garantie.
- Controleer de magnetron op schade, zoals een verkeerd uitgelijnde of verbogen deur, beschadigde deurafdichtingen en afdichtvlakken, gebroken of losse deurscharnieren en vergrendelingen, en deuken aan de binnenkant of op de deur. Gebruik de magnetron niet als er sprake is van schade en neem contact op met een Sage-servicecentrum.
- Dompel de magnetron, het netsnoer of de stekker niet onder in water of een andere vloeistof.



Functies

KLOK INSTELLEN - WEERGAVE VAN 24 UUR

Druk op KLOK INSTELLEN op het bedieningspaneel. De magnetron piept één keer.

De standaardtijd is 06:00. De geselecteerde cijfers knipperen om aan te geven dat ze kunnen worden gewijzigd.

Draai aan de draaiknop TIJD om de uren aan te passen en klik op START of KLOK INSTELLEN om te bevestigen. De magnetron piept één keer.


Nu knipperen de minuten om aan te geven dat ze kunnen worden gewijzigd. Draai aan de draaiknop TIJD om de minuten aan te passen en klik op START of KLOK INSTELLEN om te bevestigen. Wanneer de nieuwe tijd is opgeslagen, knippert de klok tweemaal en piept de magnetron eenmaal.

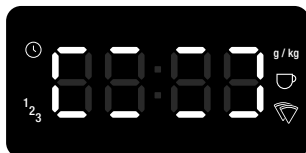


OPMERKING

Als u vergeet op START te drukken om de uren of minuten te bevestigen, bevestigt de magnetron uw selectie na 1 minuut automatisch.

KINDERSLOT INSTELLEN

Houd de knop STOPPEN/WISSEN  3 seconden ingedrukt. Het scherm KINDERSLOT knippert drie keer en de magnetron piept eenmaal.



Houd de knop STOPPEN/WISSEN 3 seconden ingedrukt om het kinderslot uit te schakelen. De tijd wordt weergegeven en u kunt de magnetron weer zoals normaal gebruiken.

STAND-BY

Wanneer de magnetron gedurende 1 minuut niet is gebruikt, wordt de modus STAND-BY geactiveerd en wordt de klok weergegeven.

Als de klok niet is ingesteld, blijft het scherm op 00:00 staan.



Als de klok is ingesteld, wordt de tijd op het scherm weergegeven.

DUUR EN VERMOGEN AANPASSEN

De maximale bereidingstijd van de magnetron is 95 minuten (95:00).

Er zijn 10 beschikbare vermogensniveaus.

De duur aanpassen

Draai de draaiknop TIJD kloksgewijs om de gewenste duur in te stellen en druk op START. De standaardduur is 30 seconden.

Het vermogen aanpassen

Druk op de knop AAN/UIT op het bedieningspaneel. Het standaardvermogen is P100 (100%).

Wanneer nogmaals op de knop VERMOGEN wordt gedrukt, neemt het vermogen af van P100 (100%) naar P10 (10%) in stappen van 10%.

DYNAMISCHE VERMOGENSAAN-PASSING

De instellingen van het voedingsmenu hebben vooraf ingestelde bereidings tijden en vermogensniveaus voor de beste resultaten. U kunt echter zowel de duur als het vermogen op uw persoonlijke voorkeur afstemmen tijdens de bereidingscyclus wanneer u de handmatige modus gebruikt.

Wanneer u de functies ontdooien, opwarmen, popcorn, dranken of voedingsmenu gebruikt, kan alleen de duur dynamisch worden aangepast.

Door op de AAN/UIT-knop te drukken, kunt u het vermogen op elk moment tijdens de bereidingscyclus verhogen of verlagen.



OPMERKING

Als u tijdens het verwarmen het vermogen aanpast, is dit niet van invloed op de bereidingsduur.

De duur kan ook tijdens de bereidingscyclus worden aangepast. Met de draaiknop TIJD kunt u de bereidingsduur verlengen of verkorten. Als u op de knop START drukt, wordt de bereidingsduur met 30 seconden verlengd.

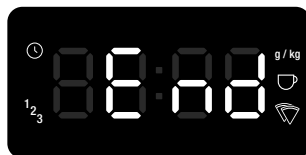
+30s DIRECT STARTEN MET +30 SECONDEN

Druk op de knop START/Direct starten met +30 seconden om de magnetron direct aan te zetten voor 30 seconden met 100% vermogen. Met elke druk op de knop wordt de bereidingsduur met 30 seconden verlengd.

AAN HET EINDE VAN DE BEREIDING

Aan het einde van een bereidingscyclus piept de magnetron drie keer en knippert het woord END (einde) op het scherm.

Het woord END (einde) blijft 5 minuten lang op het scherm staan of totdat de deur wordt geopend.



⊗ STOPPEN/WISSEN

Druk tijdens de bereidingscyclus eenmaal op STOPPEN/WISSEN om te pauzeren en druk nogmaals om de magnetron uit te zetten en terug te keren naar het standaardscherm.

🔊 DEMPEN

Met dit programma kunt u het geluid van de magnetron tijdens het gebruik dempen.

Druk op de knop DEMPEN op het bedieningspaneel om het geluid van de magnetron te dempen. Wanneer het programma DEMPEN is geselecteerd, klinken er geen geluiden en wordt op het scherm OFF (uit) weergegeven.



Druk een tweede keer op de knop DEMPEN om het dempen op te heffen.



Bereidingsfuncties

Popcorn

De instelling POPCORN is ontworpen om zoveel mogelijk korrels in een zak te poffen.

Druk op de POPCORN-knop om deze instelling te selecteren. Plaats de zak in het midden van het draaiplateau.

Draai aan de TIJD-draaiknop om gewicht te selecteren of druk opnieuw op de POPCORN-knop. Druk vervolgens op START om te beginnen.

De gewichtsopties zijn 25 g, 85 g en 100 g.



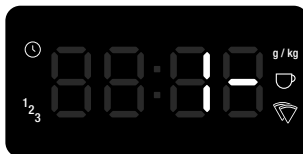
Dranken

De instelling DRANKEN is geschikt om warme dranken zoals koffie en thee opnieuw op te warmen als ze zijn afgekoeld. Met deze instelling kunt u uw dranken tot 60-65 °C opwarmen zodat u er meteen van kunt genieten.

Druk op de knop DRANKEN om deze instelling te selecteren. Plaats het kopje in het midden van het draaiplateau.

Draai aan de TIJD-draaiknop om het aantal kopjes te selecteren of druk nogmaals op de knop DRANKEN. Druk vervolgens op START om te beginnen. Het aantal kopjes gaat van 1 kopje (240 ml) tot 4 kopjes (960 ml).

Roer aan het einde van de verwarmingscyclus in de vloeistof en laat 1-2 minuten staan alvorens op te drinken. Let op: door oververhitting kunnen vloeistoffen aanbranden.



VOEDINGSMENU

De instelling VOEDINGSMENU is ontworpen om etenswaren automatisch op het juiste vermogen en precies lang genoeg te bereiden.

Afhankelijk van het geselecteerde product verandert de indicator op het scherm van de magnetron. Met deze indicators wordt aangegeven welke hoeveelheid of welk volume voor elke functie kan worden aangepast.

Aardappelen

De instelling AARDAPPELEN is ontworpen om hele aardappelen perfect in de magnetron te bereiden.

Prik elke aardappel 5-6 keer met een vork voordat u ze gaat bereiden. Plaats de hele aardappelen in één laag op het draaiplateau.

Druk op de knop VOEDINGSMENU om deze instelling te selecteren. De instelling AARDAPPELEN komt overeen met de code F-1. Wanneer de instelling AARDAPPELEN is geselecteerd, ziet het scherm er als volgt uit:

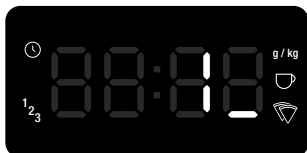


Draai aan de TIJD-draaiknop om het aantal aardappelen te selecteren. Druk vervolgens op START om te beginnen. U kunt kiezen uit 1 aardappel (285 g) of 3 aardappelen (850 g).

Pizza

De PIZZA-instelling is speciaal ontworpen om overgebleven stukken pizza perfect opnieuw op te warmen.

Druk tweemaal op de knop VOEDINGS-MENU om deze instelling te selecteren. De instelling PIZZA komt overeen met de code F-2. Wanneer de instelling PIZZA is geselecteerd, ziet het scherm er als volgt uit:



Draai aan de TIJD-draaiknop om het aantal stukken te selecteren. Druk vervolgens op START om te beginnen. U kunt kiezen uit 1 tot 4 stukken pizza.

Diepvriesgroenten

De instelling DIEPVRIESGROENTEN is geschikt voor verschillende soorten diepvriesgroenten zoals wortelen, broccoli, bloemkool en doperwtjes. De bereidingsduur is gebaseerd op groenten uit de vriezer (ca. -18 °C).

Druk driemaal op de knop VOEDINGSMENU om deze instelling te selecteren. De instelling DIEPVRIESGROENTEN komt overeen met de code F-3. Wanneer de instelling DIEPVRIESGROENTEN is geselecteerd, ziet het scherm er als volgt uit:



Draai aan de TIJD-draaiknop om het gewicht te selecteren. Druk vervolgens op START om te beginnen. De gewichtsopties zijn 125 g, 250 g, 375 g en 500 g.

Bedek met een magnetronbestendig plastic deksel of magnetronbestendige plastic folie en zorg dat de stoom langs een opening kan ontsnappen. Er moet geen water worden toegevoegd.

Laat de groenten na het koken 5 minuten staan voordat u ze opdiert.

ONTDOOIEN

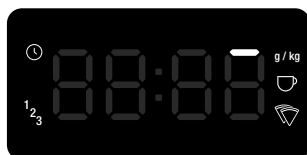
De instelling ONTDOOIEN is ontworpen om etenswaren geleidelijk aan te ontdooien zonder ze te oververhitten of de randen uit te drogen.

Na de ontdooicyclus zijn de meeste producten in het midden nog steeds enigszins bevroren nadat ze uit de magnetron zijn gehaald. Laat ze daarom 5 tot 15 minuten staan tot ze volledig zijn ontdooid.

Druk op de knop ONTDOOIEN om deze instelling te selecteren. Met deze instelling kunt u eten ontdooien op basis van gewicht of duur.

Ontdooien op basis van gewicht

Druk op de knop ONTDOOIEN om te ontdooien op basis van gewicht. Wanneer deze instelling is geselecteerd, ziet het scherm er als volgt uit:

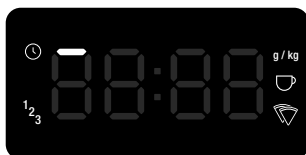


Draai aan de TIJD-draaiknop om het gewenste gewicht te selecteren. Het gewicht varieert van 100 g tot 1,5 kg. Druk op START om te beginnen.



🕒 Ontdooien op basis van duur

Druk op de knop ONTDOOIEN om te ontdooien op basis van duur. Wanneer deze instelling is geselecteerd, ziet het scherm er als volgt uit:



Draai aan de TIJD-draaiknop om de gewenste duur te selecteren. Druk vervolgens op START om te beginnen.

🌀 OPWARMEN

De instelling OPWARMEN gebruikt minder vermogen om eten voorzichtig op te warmen zonder het uit te drogen of te gaar te maken.

Druk op de knop OPWARMEN om deze instelling te selecteren.

Draai aan de TIJD-draaiknop om de gewenste duur te selecteren. Druk vervolgens op START om te beginnen.



Suggesties en tips

BELANGRIJKE TIPS VOOR KOKEN IN DE MAGNETRON

Volg deze nuttige tips om de energie gelijkmatig te verdelen zodat alles gelijkmatig gaart.

- Leg producten met een groot en een klein uiteinde, zoals kippenboutjes en broccoli, met het dikste of taaiste deel aan de buitenkant van de schaal. Dit zorgt ervoor dat de delen die niet zo snel gaar worden, meer energie krijgen, zodat het hele product gelijkmatig gaart.
- Dek de schotel tijdens het bereidingsproces af zodat de warmte en stoom worden vastgehouden en het eten sneller gaar wordt. Gebruik een magnetronbestendig(e) folie of deksel en zorg voor een kleine opening aan de zijkant van de schotel zodat overtollige stoom kan ontsnappen.
- Gebruik het liefst ondiepe schotels. In ondiepe schotels wordt het eten sneller gaar.
- Leg afzonderlijke items zoals schaalpjes of hele aardappelen langs de buitenkant van het draaiplateau. Laat voldoende ruimte tussen de items zodat ze langs alle kanten energie krijgen.
- Gebruik ronde magnetronschotels. Ronde schotels zorgen voor een gelijkmatigere bereiding dan vierkante of rechthoekige schotels, die de meeste energie in de hoeken absorberen waardoor het eten te gaar en taai wordt.
- Roer tijdens het bereidingsproces een of twee keer van de buitenkant naar het midden van de schotel om de hitte gelijkmatig te verdelen en te zorgen dat alles even snel gaart.

- Draai middelgrote tot grote producten een of twee keer om tijdens het bereidingsproces. Dit zorgt voor gelijkmatige blootstelling aan microgolven.
- U kunt betere resultaten verkrijgen door bepaalde etenswaren zoals gebak, geroosterde groenten en deegproducten op een verhoging te plaatsen. Hierdoor kan aan alle kanten, zowel onder- als bovenaan, meer energie doordringen. Gebruik een magnetronbestendig plastic of keramisch rooster. Als u geen geschikt rooster heeft, kunt u ook een omgekeerde kom of beker gebruiken om borden met eten wat hoger te zetten.
- Zet speciale crispplaten, kannen met saus of custard, kleine hoeveelheden eten of bekers met drinken niet op een verhoging.
- De interne temperatuur van etenswaren blijft stijgen, waardoor ze zelfs nadat ze uit de magnetron zijn gehaald blijven garen. Het is dan ook raadzaam om ingrediënten niet helemaal gaar te koken, aangezien ze blijven garen nadat ze uit de magnetron zijn gehaald.

TOEBEHOREN VOOR MAGNETRON

- Containers, borden, schalen enz. die in de magnetron worden gebruikt, moeten altijd magnetronbestendig zijn. Dit staat soms op de onderkant van borden/schotels of op het kookgerei. U kunt ook contact opnemen met de fabrikant.
- Om te testen of een container, bord of schotel magnetronbestendig is, kunt u 1 kopje koud water gedurende 1 minuut op 100% vermogen in de magnetron verwarmen. Als de container warm is en het water koud, is de container niet geschikt voor gebruik in de magnetron. Als de container koud is en het water warm, dan is de container wel geschikt voor gebruik in de magnetron.
- Magnetronbestendig kookgerei wordt niet heet door de microgolven, maar wel door contact met heet voedsel. Wanneer het eten heet wordt, wordt een deel van deze warmte overgedragen aan de container. Bescherm uw handen altijd met ovenwanten of kleding wanneer u hete containers uit de magnetron haalt.
- Gebruik geen metalen containers of keukengerei in de magnetron.



Onderhoud en reiniging

- Haal de stekker uit het stopcontact voordat u het apparaat schoonmaakt.
- Houd de binnenkant van de magnetron schoon. Veeg eventuele voedselresten of gemorste vloeistoffen aan de binnenkant van de magnetron met een vochtige doek weg. U kunt een mild reinigingsmiddel gebruiken als de binnenkant erg vuil wordt. Gebruik geen sprays of andere agressieve reinigingsmiddelen aangezien ze vlekken of strepen kunnen veroorzaken of het oppervlak dof kunnen maken.
- De buitenkant moet worden schoongemaakt met een vochtige doek. Om schade aan de werkende delen binnenin de magnetron te voorkomen, mag er geen water in de ventilatieopeningen sijpelen.
- Veeg de deur en het venster aan beide zijden van de deurafdichtingen en aangrenzende onderdelen regelmatig schoon met een vochtige doek om vlekken of spatten te verwijderen. Gebruik geen schurend reinigingsmiddel.
- Zorg dat het bedieningspaneel niet nat wordt. Maak het schoon met een zachte, vochtige doek. Wanneer u het bedieningspaneel schoonmaakt, laat u de deur openstaan om te voorkomen dat de magnetron per ongeluk aan wordt gezet.
- Bij stoomvorming aan de binnenkant of langs de buitenkant van de deur, veegt u de oppervlakken schoon met een zachte, droge doek. Dit kan gebeuren wanneer u eten bereidt dat een hoog vochtgehalte heeft of als de magnetron wordt gebruikt bij hoge luchtvochtigheid. Dit is normaal.
- Soms moet het glazen draaiplateau worden verwijderd om het schoon te maken. Was het draaiplateau af in warm zeepsop, spoel na met schoon water en droog grondig af.
- De meenemer van het draaiplateau en de onderkant van de magnetron moeten regelmatig schoon worden gemaakt zodat het draaiplateau goed draait en geen lawaai maakt. Veeg de bodem van de magnetron schoon met een zachte, vochtige doek. Was de meenemer van het draaiplateau af in mild zeepsop, spoel na met schoon water en droog grondig af. Als u de meenemer van het draaiplateau uit de magnetron heeft gehaald om deze schoon te maken, zorg dan dat u deze in de juiste positie terugplaatst.
- U kunt geuren van uw magnetron verwijderen door een diepe magnetronbestendige kom te vullen met een kopje water en het sap van één citroen. Zet de kom vervolgens 5 minuten lang op 100% vermogen in de magnetron. Veeg de magnetronruimte grondig schoon en droog af met een zachte doek.
- Als het magnetronlampje moet worden vervangen, neem dan contact op met een Sage-servicecentrum voor vervanging.
- Gooi dit apparaat niet weg met het huishoudelijke afval. Breng het naar het juiste afvalverwerkingscentrum van uw gemeente.
- Druk op de knop STOPPEN/WISSEN en trek de stekker uit het stopcontact als u de magnetron wilt opbergen. Zorg ervoor dat de magnetron volledig koel, schoon en droog is. Zorg dat de meenemer en het draaiplateau goed vastzitten en sluit de deur. Plaats geen zware voorwerpen bovenop de magnetron. Bewaar de magnetron rechtop.

VOORDAT U OM ONDERHOUD VRAAGT

- Controleer of de magnetron goed is aangesloten. Zo niet, haal de stekker dan uit het stopcontact, wacht 10 seconden en steek deze dan weer goed in het stopcontact.
- Controleer op een doorgebrande zekering of een geactiveerde hoofdstroomonderbreker. Als deze goed lijken te werken, test u het stopcontact met een ander apparaat.
- Controleer of het bedieningspaneel correct is geprogrammeerd en de timer is ingesteld.
- Controleer of de deur goed gesloten is met behulp van het vergrendelingssysteem. Zo niet, kan het veiligheidsvergrendelings-systeem voorkomen dat de magnetron wordt ingeschakeld.



OPMERKING

Neem contact op met uw Sage-servicecentrum als de bovenstaande maatregelen het probleem niet oplossen. Probeer de magnetron niet zelf af te stellen of te repareren.



Problemen oplossen

PROBLEEM

EENVOUDIGE OPLOSSING

Magnetron veroorzaakt storing met radio, tv of soortgelijke apparatuur

- Maak de deur en de afdichtvlakken van de magnetron schoon.
- Verander de richting van de ontvangstantenne van de radio of televisie.
- Verplaats de magnetron en houd daarbij rekening met de ontvanger.
- Zet de magnetron uit de buurt van de ontvanger.
- Sluit de magnetron aan op een ander stopcontact zodat de magnetron en de ontvanger niet op dezelfde stroomgroep zijn aangesloten.

Zwak magnetronlampje

- Bij een laag vermogen kan het magnetronlampje minder fel zijn.

Er is stoomvorming op de deur en er komt hete lucht uit de ventilatieopeningen.

- Er kan stoom ontstaan tijdens gebruik van de magnetron. Het grootste deel van de stoom zal uit de ventilatieopeningen ontsnappen, maar er kan zich ook wat stoom ophopen rond de deur.

MOGELIJK PROBLEEM

MOGELIJKE OORZAAK

EENVOUDIGE OPLOSSING

Magnetron gaat niet aan

- Netsnoer is niet goed aangesloten.
- Zekering gesprongen of probleem met stroomonderbreker.
- Probleem met stopcontact.

- Haal de stekker uit het stopcontact, vervolgens opnieuw aansluiten en inschakelen.
- Vervang de zekering of reset de stroomonderbreker.
- Laat een expert controleren of het stopcontact defect is.

Magnetron verwarmt niet

- Deur is niet goed gesloten.

- Zorg dat de deur goed is gesloten.

Glazen draaiplateau maakt lawaai tijdens het gebruik van de magnetron.

- De meenemer van het draaiplateau is niet goed geplaatst of moet schoon worden gemaakt.

- Zorg dat de meenemer goed is geplaatst en maak deze indien nodig schoon.



Garantie

BEPERKTE GARANTIE VAN 2 JAAR

Sage Appliances biedt een garantie op dit product voor huishoudelijk gebruik in genoemde gebieden gedurende 2 jaar vanaf de datum van aankoop voor defecten veroorzaakt door gebrekkige afwerking en materialen. Gedurende deze garantieperiode zal Sage Appliances defecte producten repareren, vervangen of terugbetalen (naar eigen goeddunken van Sage Appliances).

Alle wettelijke garantierechten onder de toepasselijke nationale wetgeving worden gerespecteerd en onze garantie doet geen afbreuk aan deze rechten. Voor de algemene voorwaarden van de garantie, evenals instructies over hoe u aanspraak maakt op de garantie, gaat u naar www.sageappliances.com.

the Compact Wave™ Soft Close

SMO650 EU



IT GUIDA RAPIDA

Sage®



Sommario

- 2 Sage consiglia: la sicurezza prima di tutto
- 15 Componenti
- 16 Montaggio
- 18 Funzioni
- 20 Funzioni di cottura
- 22 Consigli e suggerimenti
- 23 Manutenzione e pulizia
- 25 Risoluzione dei problemi
- 26 Garanzia

SAGE CONSIGLIA: LA SICUREZZA PRIMA DI TUTTO

In Sage abbiamo molto a cuore la sicurezza. Creiamo e commercializziamo prodotti di consumo tenendo sempre presente la sicurezza dei nostri clienti. Inoltre, invitiamo i clienti a prestare molta attenzione durante l'utilizzo degli apparecchi elettrici e a osservare le seguenti precauzioni.

NORME DI SICUREZZA IMPORTANTI

ATTENZIONE

Per ridurre il rischio di ustioni, scosse elettriche, incendi, lesioni o esposizione a un'eccessiva energia delle microonde:

LEGGERE TUTTE LE ISTRUZIONI PRIMA DELL'USO E CONSERVARLE PER CONSULTARLE IN FUTURO

Sul sito sageappliances.com è disponibile anche una versione scaricabile del presente documento

- Prima di usare l'apparecchio per la prima volta, verificare che la tensione della rete corrisponda a quella indicata sull'etichetta dei valori nominali sotto il dispositivo.
- Non rimuovere il coperchio della guida d'onda del microonde situato sul pannello destro all'interno del forno. Questo coperchio non fa parte

dell'imballaggio e deve rimanere all'interno del microonde per garantirne un funzionamento sicuro. Consultare la sezione relativa ai componenti del modello SMO650 a pagina 15.

- Rimuovere e smaltire in sicurezza tutti i materiali di imballaggio e le etichette promozionali prima di utilizzare il forno a microonde Sage per la prima volta.
- Leggere e seguire le istruzioni specifiche riportate in "PRECAUZIONI PER EVITARE LA POSSIBILE ESPOSIZIONE A ECCESSIVA ENERGIA DELLE MICROONDE" a pagina 11.
- L'apparecchio deve essere collegato a terra. Collegare solo a una presa con messa a terra adeguata. Consultare le "ISTRUZIONI RIGUARDANTI LA MESSA A TERRA" a pagina 13.
- Installare e posizionare l'elettrodomestico seguendo scrupolosamente le istruzioni

di installazione fornite a pagina 16.

- Alcuni prodotti, come le uova intere e i contenitori sigillati (ad esempio vasi di vetro con chiusura ermetica), possono esplodere e non devono pertanto essere inseriti nel forno.
- Utilizzare questo apparecchio solo per l'uso previsto, come descritto nel manuale. Non utilizzare prodotti chimici corrosivi o vapori in questo elettrodomestico. Questo tipo di forno è appositamente progettato per riscaldare o cucinare alimenti. Non è concepito per l'uso industriale o di laboratorio.
- Come per qualsiasi altro apparecchio, questo microonde può essere utilizzato dai bambini, a condizione che ciò avvenga sotto la supervisione di un adulto.
- Questo elettrodomestico può essere utilizzato da bambini di età superiore a 8 anni e persone con disabilità fisiche

- o mentali o prive di esperienza o conoscenza dell'elettrodomestico stesso, a condizione che queste ultime lo utilizzino sotto la supervisione di qualcuno o secondo specifiche istruzioni ricevute in merito all'uso in sicurezza dell'elettrodomestico e che comprendano i rischi associati. Non lasciare che i bambini giochino con l'elettrodomestico. La pulizia e la manutenzione non possono essere eseguite da bambini senza la supervisione di un adulto.
- Questo apparecchio non è destinato all'uso da parte di persone (bambini inclusi) con capacità fisiche, sensoriali o mentali ridotte o di persone prive di esperienza e familiarità con questo tipo di apparecchi, a patto che non vengano supervisionate o guidate da una persona che controlli che tutto venga eseguito in piena sicurezza.
 - I bambini devono essere sorvegliati per assicurarsi che non giochino con l'elettrodomestico.
 - Non azionare il microonde se il cavo o la spina risultano danneggiati, quando non funziona correttamente o in seguito a danni o cadute.
 - L'apparecchio deve essere riparato solo da personale qualificato.
 - Contattare il centro di assistenza autorizzato più vicino in caso sia necessario esaminare, riparare o regolare l'elettrodomestico.
 - Non coprire o bloccare alcuna apertura dell'apparecchio.
 - Non conservarlo all'aperto.
 - Non utilizzare questo prodotto vicino all'acqua, ad esempio vicino al lavello della cucina, in uno scantinato umido o nelle immediate vicinanze di una piscina o zone simili.
 - Non immergere il cavo di alimentazione, la spina o l'elettrodomestico in acqua o in qualsiasi altro liquido.
 - Tenere il cavo lontano da superfici riscaldate.

- Evitare che il cavo rimanga sospeso oltre il bordo di un tavolo o un banco, tocchi superfici calde o forni nodi.
- Per la pulizia delle superfici di sportello e forno che entrano in contatto con la chiusura dello sportello, utilizzare solo saponi delicati non abrasivi o detergenti applicati con una spugna o un panno morbido. L'uso di prodotti chimici corrosivi per la pulizia danneggerà l'apparecchio e potrebbe causare perdite di radiazioni.
- Per ridurre il rischio di incendio all'interno del forno:
- Non superare mai i tempi di cottura degli alimenti. Prestare attenzione e non allontanarsi dall'apparecchio quando carta, plastica o altri materiali combustibili vengono posizionati all'interno del forno per facilitare la cottura.
- Rimuovere le fascette in metallo dai sacchetti di carta o plastica prima di posizionare il sacchetto nel forno.
- Nel caso in cui i materiali all'interno del forno dovessero prendere fuoco, non aprire lo sportello. Spegnerne il forno e scollegare il cavo di alimentazione o interrompere l'alimentazione sul fusibile o sul pannello del quadro elettrico.
- Non conservare nulla all'interno del forno. Non lasciare carta, utensili da cucina o cibi all'interno del forno quando non viene utilizzato.
- Per eliminare il rischio di soffocamento per i bambini, rimuovere e smaltire in sicurezza la copertura protettiva della spina del forno a microonde Sage.
- Non posizionare il forno a microonde vicino al bordo di un banco o di un tavolo durante il funzionamento. Assicurarsi che tutte le superfici siano piane, pulite e prive di acqua e altre sostanze.

- Non collocare il microonde sopra o vicino a un fornello a gas o elettrico caldo o dove potrebbe entrare in contatto con un forno riscaldato.
- Assicurarsi che il forno a microonde sia installato e utilizzato mantenendo uno spazio adeguato sopra e intorno all'unità, come raccomandato nella sezione Installazione a pagina 16.
- Non inserire il forno a microonde in un armadio chiuso o in uno spazio ristretto poiché potrebbe surriscaldarsi. (Fare riferimento alla sezione Installazione a pagina 16).
- Azionare sempre l'apparecchio su una superficie resistente al calore. Non utilizzare su una superficie coperta da tessuti, vicino a tende o altri materiali infiammabili.
- Non utilizzare il microonde su una superficie in metallo.
- Verificare sempre che l'elettrodomestico sia montato correttamente prima di collegarlo a una presa di alimentazione e avviarlo. Non utilizzare il forno senza il rullo per piatto girevole e il piatto girevole in vetro in posizione. Accertarsi che il piatto girevole in vetro sia posizionato correttamente nelle rientranze del rullo del piatto girevole.
- Il forno a microonde non deve essere utilizzato per mezzo di un timer esterno o di un sistema di controllo remoto separato.
- Non usare mai il forno a microonde senza cibo o acqua al suo interno. L'azionamento del forno a microonde vuoto può causare danni all'apparecchio.
- Non lasciare l'elettrodomestico incustodito durante il funzionamento.
- Evitare il contatto con le superfici calde.
- Lasciare raffreddare l'elettrodomestico prima di spostarlo o pulire una qualsiasi delle sue parti.
- Controllare sempre che il cavo di alimentazione del forno a microonde sia

scollegato dalla presa di alimentazione prima di tentare di spostare l'apparecchio, quando non in uso, se lasciato incustodito e prima di smontarlo, pulirlo o riporlo in caso di non utilizzo.

- Spegnere sempre il forno a microonde premendo il pulsante STOP/ANNULLA e scollegare il cavo dalla presa di alimentazione quando non viene utilizzato.
- Prima di effettuare la pulizia, premere sempre il pulsante STOP/ANNULLA e scollegare il cavo dalla presa di alimentazione.
- Liquidi come acqua, caffè o tè possono superare il punto di ebollizione senza che si formino bolle. **SI POTREBBE PERTANTO VERIFICARE UN'IMPROVISA EBOLLIZIONE QUANDO IL CONTENITORE VIENE MOSSO O LA SUPERFICIE DEL LIQUIDO VIENE SCOSSA O QUANDO VIENE INSERITO UN CUCCHIAIO O UN UTENSILE NEL LIQUIDO.**

ATTENZIONE

Se lo sportello o le relative guarnizioni presentano dei danni, non azionare il forno fino a quando non viene riparato da personale competente.

ATTENZIONE

Gli interventi di manutenzione e riparazione che implicano la rimozione della protezione dall'esposizione all'energia delle microonde devono essere eseguiti esclusivamente da personale competente.

ATTENZIONE

Non riscaldare liquidi o altri cibi in contenitori sigillati poiché si potrebbe verificare un'esplosione.

NORME DI SICUREZZA IMPORTANTI PER TUTTI GLI ELETTRODOMESTICI

- Svolgere completamente il cavo prima dell'uso.
- Si raccomanda di ispezionare regolarmente l'apparecchio. Per evitare rischi, non utilizzare se il cavo di alimentazione, la spina di alimentazione o l'apparecchio subisce qualsiasi danno. Interrompere immediatamente l'utilizzo e contattare il servizio di assistenza Sage per richiedere la verifica, la riparazione o la regolazione dell'apparecchio.
- Per qualsiasi intervento di manutenzione diverso dalla pulizia, contattare il servizio di assistenza Sage.
- Questo apparecchio è destinato esclusivamente all'uso domestico. Non utilizzare per usi diversi da quello previsto. Non utilizzare su veicoli in movimento o barche. Non utilizzare all'aperto. L'uso non corretto potrebbe provocare lesioni.
- In conformità con tutte le ordinanze e norme governative locali, statali e federali, per azionare l'elettrodomestico è necessaria un'alimentazione elettrica da 230-240 V, 50 Hz, solo CA, da 15-20 A con un fusibile o un quadro elettrico.
- Si consiglia, inoltre, di utilizzare un circuito separato dedicato esclusivamente a questo forno a microonde.
- Viene fornito un cavo di alimentazione corto per ridurre i rischi derivanti dal rimanere impigliati o inciampare in un cavo più lungo.
- Si consiglia l'installazione di un interruttore salvavita per una maggiore sicurezza durante l'utilizzo di tutti i dispositivi elettrici. È consigliabile che nel circuito elettrico che alimenta l'apparecchio sia installato un interruttore di sicurezza con una corrente di esercizio nominale

residua non superiore a 30 mA. Consultare un elettricista per un parere professionale.

- L'apparecchio deve essere collegato utilizzando una presa con messa a terra. In caso di dubbio rispetto alla corretta messa a terra, consultare l'elettricista di fiducia.
- Non modificare per nessun motivo la presa di alimentazione e non utilizzare adattatori.

ISTRUZIONI DI SICUREZZA SPECIALI PER IL FORNO A MICROONDE

- Dopo ogni utilizzo, pulire l'interno del forno con un panno morbido umido. La presenza di residui di cibo, unto o grasso all'interno del forno potrebbero causarne il surriscaldamento e provocare fumo o incendi.
- Lasciar raffreddare il piatto girevole in vetro a temperatura ambiente prima di lavarlo o metterlo in acqua fredda.
- Pulire il forno a microonde regolarmente e rimuovere

qualsiasi residuo di cibo al suo interno. Se il forno a microonde non viene regolarmente pulito, la superficie può deteriorarsi, influenzando negativamente sulla durata di vita del forno e causando potenzialmente una situazione pericolosa.

- Non utilizzare un pulitore a vapore per pulire il forno a microonde.
- La funzione del forno a microonde è quella di riscaldare cibi e bevande. Utilizzarlo per essiccare cibi, asciugare indumenti, riscaldare cuscinetti, pantofole, spugne, panni umidi e oggetti simili può causare lesioni o incendi.
- Verificare che i contenitori e/o i piatti siano adatti per l'uso nel forno a microonde. Eseguire questo controllo prima di preparare gli alimenti da riscaldare o cuocere nel forno a microonde.
- Utilizzare esclusivamente contenitori in vetro o plastica adatti, in conformità con le raccomandazioni del produttore degli utensili da cucina.

- I contenitori o i piatti conformi all'uso nel forno a microonde non devono superare la larghezza del piatto girevole in vetro, poiché altrimenti potrebbero impedire la rotazione del piatto, causando quindi una cottura dei cibi non uniforme, eccessiva o persino incendi.
- Non riscaldare né cuocere cibi e/o liquidi direttamente sul piatto girevole in vetro. I cibi e/o i liquidi devono essere collocati in un contenitore adeguato e quest'ultimo deve essere posizionato sul piatto girevole in vetro.
- I cibi e/o i liquidi non devono essere riscaldati o cotti in contenitori o sacchetti di plastica o di carta, se non esplicitamente indicati come idonei all'uso nel microonde da parte del produttore, poiché i contenitori non idonei potrebbero esplodere o incendiarsi.
- Non utilizzare salviette di carta o carta riciclata durante la cottura. La carta riciclata può contenere piccoli residui di metallo o altre impurità che potrebbero causare scintille e/o incendi.
- Non inserire contenitori o utensili in metallo nel forno a microonde poiché potrebbero causare scintille e/o incendi.
- Non inserire fogli di alluminio da cucina nel forno a microonde poiché potrebbero causare scintille e/o incendi.
- Assicurarsi di rimuovere tutti i coperchi dai contenitori prima di inserirli con cibi e/o liquidi nel forno a microonde.
- Rimuovere le tettarelle dai biberon e i coperchi dai vasetti degli alimenti per bambini prima di riscaldarli nel forno a microonde. Per evitare ustioni o scottature, mescolare o agitare il contenuto riscaldato e controllarne la temperatura prima di servire.
- Assicurarsi sempre che la temperatura dei cibi o dei liquidi riscaldati o cotti

nel forno a microonde venga controllata prima di consumarli o servirli.

PRECAUZIONI PER EVITARE LA POSSIBILE ESPOSIZIONE A ECCESSIVA ENERGIA DELLE MICROONDE

- Non tentare di azionare il forno con lo sportello aperto poiché può provocare un'esposizione dannosa all'energia delle microonde. È importante non danneggiare né manomettere i blocchi di sicurezza.
- Non collocare alcun oggetto tra la parte anteriore del forno e lo sportello e non lasciare che sporcizia o residui di detergente si accumulino sulle guarnizioni.
- Se lo sportello o le relative guarnizioni presentano dei danni, non azionare il forno. Interrompere immediatamente l'utilizzo e contattare il servizio di assistenza Sage per richiedere la verifica, la riparazione o la regolazione dell'apparecchio.

È particolarmente importante che lo sportello del forno si chiuda correttamente e che non vi siano danni a:

- (1) sportello (piegature),
 - (2) cerniere e ganci (rottture o allentamenti),
 - (3) guarnizioni dello sportello e superfici di tenuta.
- Non inserire alcun materiale estraneo tra lo sportello e lo stipite.
 - Il forno deve essere regolato o riparato esclusivamente da personale di servizio adeguatamente qualificato.

LIQUIDI SURRISCALDATI

- Per ridurre il rischio di lesioni alle persone:
- Non surriscaldare i liquidi.
- Mescolare il liquido prima di inserirlo nel forno a microonde e a metà del riscaldamento.
- Le bevande riscaldate nel microonde possono arrivare al punto di ebollizione. Si raccomanda di maneggiarle sempre con molta attenzione.
- Non utilizzare contenitori con bordi dritti e collo stretto.

- Dopo il riscaldamento, non estrarre immediatamente il contenitore: lasciarlo nel forno a microonde per qualche minuto.
- Prestare la massima attenzione quando si inserisce un cucchiaino o un altro utensile nel contenitore.
- Non cucinare i pop-corn a meno che non siano stati confezionati appositamente per la cottura in forno a microonde. Durante la cottura alcuni chicchi potrebbero non scoppiare, cuocere troppo e bruciare. Non utilizzare olio se non raccomandato dal produttore. Rispettare i tempi di cottura indicati nelle istruzioni del produttore (non superare i 3 minuti). Una cottura prolungata può bruciare i pop-corn o causare incendi.
- Non cuocere cibi avvolti in una membrana (come patate, fegato di pollo, tuorli d'uovo, ostriche, ecc.) senza aver prima perforato più volte la membrana per consentire la fuoriuscita del vapore.
- Non cuocere o riscaldare le uova intere e le uova sode nel forno a microonde, poiché potrebbero esplodere durante o al termine della cottura oppure anche dopo averle estratte dal forno.
- Non riscaldare olio o altri grassi nel forno a microonde. Il forno e/o l'olio potrebbero surriscaldarsi e/o prendere fuoco.
- In presenza di fumo, spegnere e scollegare il forno a microonde dalla presa di alimentazione. Tenere lo sportello chiuso in modo da soffocare eventuali fiamme.
- Attenersi scrupolosamente alle istruzioni riportate in questo manuale per utilizzare il forno a microonde.
- Prima di utilizzare qualsiasi utensile, controllare che sia adatto all'uso nel forno a microonde.
- Non scollegare o manipolare il cavo di alimentazione o la presa

di alimentazione mentre l'unità è in funzione.

- Quando si ripone il forno a microonde, non avvolgere il cavo troppo stretto. Non avvolgere il cavo attorno al forno a microonde.
- Quando si riscaldano gli alimenti in contenitori di plastica o di carta, tenere d'occhio il forno a microonde per controllare che non prenda fuoco.
- Il vetro dello sportello è stato appositamente trattato per renderlo più robusto, più resistente e più sicuro del vetro comune, ma non è infrangibile. Se fatto cadere o colpito con forza, può rompersi o indebolirsi e potrebbe in un secondo momento frantumarsi in piccoli pezzi senza una causa apparente.
- In caso di scintille, archi o lampi all'interno del forno a microonde, premere il pulsante STOP/ANNULLA e risolvere il problema o contattare il servizio di assistenza clienti Sage.

ISTRUZIONI RIGUARDANTI LA MESSA A TERRA



ATTENZIONE

L'uso improprio della messa a terra può comportare il rischio di scosse elettriche.

- Questo apparecchio è dotato di un cavo di alimentazione provvisto di filo e spina con messa a terra. L'apparecchio deve essere collegato a terra utilizzando una presa a tre fori con messa a terra. In caso di corto circuito elettrico, la messa a terra riduce il rischio di scosse elettriche.
- Non tagliare o rimuovere, per nessun motivo, la messa a terra dalla spina e non utilizzare un adattatore.
- Consultare un elettricista qualificato se le istruzioni riguardanti la messa a terra non sono completamente chiare o in caso di dubbio rispetto alla corretta messa a terra dell'apparecchio.

- Non utilizzare una prolunga. Se il cavo di alimentazione è troppo corto, fare installare da un elettricista o un tecnico qualificato una presa vicino all'apparecchio.



ATTENZIONE

Cambiamenti o modifiche non espressamente approvati dalla parte responsabile della conformità potrebbero invalidare il diritto dell'utente di utilizzare l'apparecchiatura.

SPECIFICHE

Consumo di energia	230–240V ~ 50Hz 1250 W
Potenza in uscita	800 W - 2450 MHz
Dimensioni esterne	29,2 cm (H) 48,5 cm (L) 41,7 cm (P) con maniglia 38,7 cm (P) senza maniglia
Diametro del piatto girevole in vetro	27 cm
Peso netto	12,85 kg
Capacità del forno	25 litri

Queste specifiche possono variare senza preavviso.

**ESCLUSIVAMENTE
PER USO DOMESTICO
CONSERVARE QUESTE ISTRUZIONI**



Componenti



A. Finestrella

B. Maniglia sportello: tirare per aprire.

C. Display LED

D. Pulsante LIVELLO POTENZA:
La potenza predefinita è P100 (100%).
Premendo nuovamente il pulsante,
il livello di potenza diminuirà da P100
(100%) a P10 (10%), con incrementi
del 10%.

E. Funzione SCONGELA e RISCALDA

F. Funzione POP-CORN

G. Funzione MENU ALIMENTI

H. Funzione BEVANDE

I. Manopola TEMPO

J. Modalità silenziosa

K. Pulsante AVVIA/AVVIO Istantaneo
+30. Ogni volta che viene premuto
questo pulsante, si aggiungono
30 secondi a una potenza del 100%.

L. Pulsante STOP/ANNULLA/BLOCCO
DI SICUREZZA PER BAMBINI. Tenere
premuta questo pulsante per 3 secondi
per impostare il blocco di sicurezza
per bambini.

M. Pulsante IMPOSTAZIONE OROLOGIO

N. Coperchio guida d'onda del microonde
Non rimuoverlo per garantire
un funzionamento sicuro.

CE Informazioni sui valori nominali
230-240V ~ 50Hz 1250 W



Montaggio

PREPARAZIONE AL PRIMO UTILIZZO

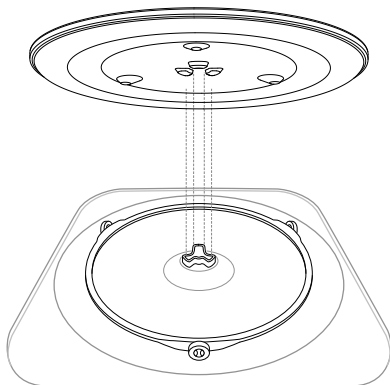
Prima del primo utilizzo, rimuovere tutti gli adesivi promozionali e il materiale di imballaggio. Disimballare con cura il forno a microonde e conservare tutto il materiale di imballaggio fino a quando non vengono individuate tutte le parti del forno a microonde e l'apparecchio è stato assemblato. Si consiglia di conservare tutto il materiale di imballaggio in un luogo sicuro nel caso in cui si desideri imballare nuovamente il prodotto per spedirlo.

Per rimuovere eventuali residui di polvere accumulati durante l'imballaggio, lavare il rullo del piatto girevole e il piatto girevole in vetro con acqua calda e sapone, sciacquare con acqua pulita e asciugare accuratamente. Pulire l'interno e l'esterno del forno a microonde con un panno morbido umido e asciugare con cura.

MONTAGGIO DEL PIATTO GIREVOLE IN VETRO

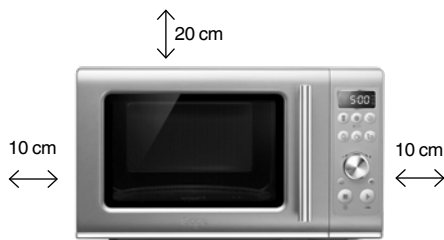
Inserire il rullo del piatto girevole in posizione nelle rientranze sulla base del forno.

Posizionare il piatto girevole in vetro sulla parte superiore del rullo, facendo corrispondere le rientranze del rullo alla scanalatura nella parte centrale del piatto.



INSTALLAZIONE E ACCENSIONE DEL FORNO A MICROONDE

- Questo forno a microonde è progettato per essere utilizzato come unità indipendente.
- Selezionare una superficie piana che fornisca abbastanza spazio libero per consentire una corretta ventilazione dell'apparecchio.
- È necessario lasciare uno spazio minimo di 10 cm (4 pollici) tra il forno a microonde e le pareti adiacenti.
- È necessario lasciare uno spazio minimo di 20 cm (8 pollici) sopra il forno a microonde.
- Non rimuovere i piedini dalla parte inferiore del microonde.
- L'ostruzione delle bocchette di ventilazione può danneggiare il forno a microonde.
- Posizionare il microonde il più lontano possibile da radio e TV.
- Il funzionamento del microonde può causare interferenze alla ricezione di radio o TV.
- Collegare il forno a microonde a una presa domestica standard. Assicurarsi che la tensione e la frequenza corrispondano a quanto indicato sull'etichetta dei valori nominali.
- Non collocare il microonde all'interno di un armadio.





ATTENZIONE

- Per evitare un sovraccarico del circuito elettrico, si consiglia di non collegare altri apparecchi allo stesso circuito del forno a microonde (o di altri prodotti) quando è in uso.
- Non installare il forno su un piano cottura o su altri apparecchi che producono calore. Se installato vicino a o sopra una fonte di calore, il forno potrebbe subire danni invalidando la garanzia.
- Controllare che il forno non presenti danni, come ad esempio uno sportello disallineato o piegato, guarnizioni e superficie di tenuta danneggiate, cerniere e ganci dello sportello rotti o allentati e ammaccature all'interno del forno o nello sportello. In presenza di danni, non utilizzare il forno e contattare il centro assistenza Sage.
- Non immergere il forno a microonde, il cavo di alimentazione o la spina in acqua o in altro liquido.



Funzioni

IMPOSTAZIONE DELL'OROLOGIO - VISUALIZZAZIONE 24 ORE

Premere il pulsante IMPOSTAZIONE OROLOGIO sul pannello dell'interfaccia. Il microonde emetterà un segnale acustico.

L'ora predefinita è 06:00. Impostare l'ora quando le cifre lampeggiano.

Ruotare la manopola TEMPO per regolare l'ora e premere il pulsante AVVIA o IMPOSTAZIONE OROLOGIO per confermare. Il microonde emetterà un segnale acustico.

Impostare i minuti quando le cifre lampeggiano. Ruotare la manopola TEMPO per regolare i minuti e premere il pulsante AVVIA o IMPOSTAZIONE OROLOGIO per confermare. Dopo aver salvato l'ora impostata, l'orologio lampeggerà due volte e il microonde emetterà un segnale acustico.



NOTA

Se non si preme il pulsante AVVIA per confermare le ore e i minuti, dopo 1 minuto il microonde confermerà automaticamente la selezione.

IMPOSTAZIONE DEL BLOCCO DI SICUREZZA PER BAMBINI

Tenere premuto il pulsante STOP/ANNULLA (⊗) per 3 secondi. La schermata BLOCCO DI SICUREZZA PER BAMBINI lampeggerà 3 volte e il microonde emetterà un segnale acustico.



Per disattivare il blocco, tenere premuto il pulsante STOP/ANNULLA per 3 secondi. Verrà visualizzata l'ora e tutte le funzionalità del microonde saranno accessibili.

STANDBY

Quando il microonde non viene utilizzato per 1 minuto, si attiva la modalità STANDBY e viene visualizzato l'orologio.

Se l'ora non è stata impostata, il display visualizza 00:00



Altrimenti, sul display viene visualizzata l'ora impostata.

REGOLAZIONE DEL LIVELLO DI POTENZA E DEL TEMPO

Il tempo massimo di cottura a microonde è di 95 minuti (95:00).

Sono disponibili 10 livelli di potenza.

⌚ Regolazione del tempo

Ruotare la manopola TEMPO in senso orario per impostare il tempo desiderato, quindi premere AVVIA.

Il valore predefinito è di 30 secondi.

☰ Regolazione del livello di potenza

Premere il pulsante POTENZA sull'interfaccia. La potenza predefinita è P100 (100%).

Premendo nuovamente il pulsante, il livello di potenza diminuirà da P100 (100%) a P10 (10%), con incrementi del 10%.

REGOLAZIONE DINAMICA DELLA POTENZA

Le impostazioni del menu alimenti hanno tempi di cottura e livelli di potenza predefiniti per garantire risultati migliori. Tuttavia, per soddisfare le preferenze personali, è possibile utilizzare la modalità manuale per regolare tempo e potenza del ciclo di cottura.

Quando si utilizzano le funzioni Scongela, Riscalda, Pop-corn, Bevande o Menu alimenti, è possibile regolare dinamicamente solo il tempo.

Premere il pulsante POTENZA per aumentare o diminuire il livello di potenza in qualsiasi momento durante il ciclo di cottura.



NOTA

Regolare il livello di potenza durante il riscaldamento non influisce sul tempo.

Anche il tempo può essere regolato durante il ciclo di cottura. Ruotando la manopola TEMPO, è possibile aumentare o diminuire il valore corrispondente. Se si preme il pulsante AVVIA, il valore del tempo aumenta di 30 secondi.

+30s AVVIO ISTANTANEO +30 SEC

Premere il pulsante AVVIA/AVVIO ISTANTANEO +30 per avviare immediatamente la cottura per 30 secondi con potenza al 100%. Ogni volta che si preme il pulsante il tempo di cottura aumenterà di 30 secondi.

A TERMINE COTTURA

Al termine di ogni ciclo di cottura, il microonde emetterà tre segnali acustici e la parola End (fine) lampeggerà sullo schermo.

La parola End continuerà a lampeggiare sullo schermo per 5 minuti o fino a quando non viene aperto lo sportello.



⊗ STOP/ANNULLA

Premere STOP/ANNULLA una volta durante il ciclo di cottura per mettere in pausa la cottura, premere nuovamente per annullare la cottura e tornare alla schermata predefinita.

🔊 MODALITÀ SILENZIOSA

Questo programma consente di disattivare l'audio del forno a microonde durante il funzionamento.

Per disattivare l'audio premere il pulsante MODALITÀ SILENZIOSA sull'interfaccia. Quando la MODALITÀ SILENZIOSA è attivata, il microonde non emetterà alcun suono e sullo schermo viene visualizzata la parola OFF.



Per riattivare l'audio, premere nuovamente il pulsante MODALITÀ SILENZIOSA.



Funzioni di cottura



Pop-corn

L'impostazione POP-CORN è pensata per far cuocere il maggior numero di chicchi in ogni confezione.

Per selezionare questa impostazione, premere il pulsante POP-CORN. Posizionare la confezione al centro del piatto girevole.

Ruotare la manopola TEMPO per selezionare il peso oppure premere di nuovo il pulsante POP-CORN e premere AVVIA per iniziare la cottura.

Le opzioni relative al peso sono 25 g, 85 g e 100 g.



Bevande

L'impostazione BEVANDE è perfetta per riscaldare bevande calde come caffè e tè. L'impostazione BEVANDE riscalda la bevanda a circa 60-65 °C (140-150 °F), temperatura che ne consente il consumo immediato.

Per selezionare questa impostazione, premere il pulsante BEVANDE. Posizionare la tazza al centro del piatto girevole.

Ruotare la manopola TEMPO per selezionare il numero di tazze oppure premere di nuovo il pulsante BEVANDE e premere AVVIA per avviare il ciclo di riscaldamento. È possibile selezionare la quantità di tazze: da 1 (240 ml/8 fl. oz) a 4 (960 ml/32 fl. oz).

Al termine del ciclo di riscaldamento, mescolare la bevanda e lasciarla riposare per un paio di minuti prima di berla. Tenere presente che riscaldare troppo le bevande può renderle bollenti.



MENU ALIMENTI

L'impostazione Menu alimenti è progettata per cucinare automaticamente alla potenza corretta per il tempo corretto.

A seconda dell'alimento selezionato, l'indicatore sullo schermo del forno a microonde cambierà. Questi indicatori hanno lo scopo di mostrare la quantità o il volume da regolare per ogni funzione.



Patate

L'impostazione PATATE è progettata per cuocere perfettamente le patate intere nel microonde.

Prima di inserirle nel forno a microonde, forare sempre ogni patata con una forchetta 5 o 6 volte. Posizionare le patate intere senza sovrapporle sul piatto girevole.

Per selezionare questa impostazione, premere il pulsante MENU ALIMENTI una volta. L'impostazione PATATE corrisponde al codice F-1. Una volta selezionata l'impostazione PATATE, verrà visualizzata la schermata seguente:

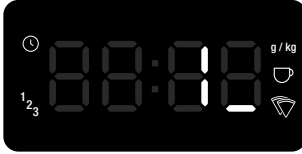


Ruotare la manopola TEMPO per selezionare il numero di patate e premere AVVIA per avviare la cottura. È possibile selezionare da 1 (285 g/10 oz) a 3 patate (850 g/30 oz).

Pizza

L'impostazione PIZZA è stata appositamente progettata per riscaldare alla perfezione le fette di pizza avanzate.

Per selezionare questa impostazione, premere il pulsante MENU ALIMENTI due volte. L'impostazione PIZZA corrisponde al codice F-2. Una volta selezionata l'impostazione PIZZA, verrà visualizzata la schermata seguente:



Ruotare la manopola TEMPO per selezionare il numero di fette di pizza e premere AVVIA per avviare il ciclo di riscaldamento. È possibile selezionare da 1 a 4 fette di pizza.

Verdure congelate

L'impostazione VERDURE CONGELATE è perfetta da utilizzare per una serie di verdure surgelate come carote, broccoli, cavolfiori e piselli. I tempi di cottura si basano sulle verdure congelate (circa -18 °C/0 °F).

Per selezionare questa impostazione, premere il pulsante MENU ALIMENTI tre volte. L'impostazione VERDURE CONGELATE corrisponde al codice F-3. Una volta selezionata l'impostazione VERDURE CONGELATE, verrà visualizzata la schermata seguente:



Ruotare la manopola TEMPO per selezionare il peso e premere AVVIA per avviare la cottura. È possibile selezionare diverse opzioni di peso: 125 g, 250 g, 375 g e 500 g.

Coprire con un coperchio o involucri di plastica ventilato per microonde. Non è necessario aggiungere acqua.

Una volta terminata la cottura, lasciare riposare le verdure per 5 minuti prima di servire.

SCONGELA

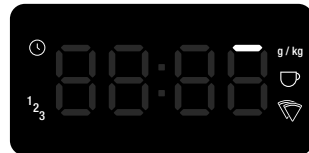
L'impostazione SCONGELA è ideata per scongelare delicatamente gli alimenti senza surriscaldarli e seccarne le estremità.

Al termine del ciclo di scongelamento, la maggior parte degli alimenti risulterà ancora congelata al centro quando rimossa dal microonde. Attendere altri 5-15 minuti fino al completo scongelamento.

Per selezionare questa impostazione, premere il pulsante SCONGELA nell'interfaccia principale. L'impostazione consente di scongelare gli alimenti in base al peso o al tempo.

Scongela in base al peso

Per scongelare in base al peso, premere il pulsante SCONGELA. Una volta selezionata l'impostazione Scongela in base al peso, verrà visualizzata la schermata seguente:

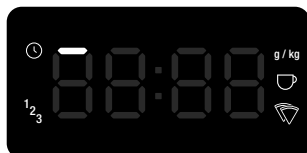


Ruotare la manopola TEMPO per selezionare il peso desiderato. Le opzioni di peso disponibili variano da 100 g a 1,5 kg. Premere AVVIA.



Scongela in base al tempo

Per scongelare in base al tempo, premere il pulsante SCONGELA due volte. Una volta selezionata l'impostazione Scongela in base al tempo, verrà visualizzata la schermata seguente:



Ruotare la manopola TEMPO per selezionare il tempo desiderato e premere AVVIA.

RISCALDA

L'impostazione RISCALDA utilizza livelli di potenza inferiori per riscaldare delicatamente il cibo senza seccarlo o cuocerlo troppo.

Per selezionare questa impostazione, premere il pulsante RISCALDA.

Ruotare la manopola TEMPO per selezionare il tempo desiderato e premere AVVIA.



Consigli e suggerimenti

ALCUNI CONSIGLI IMPORTANTI PER LA COTTURA A MICROONDE

Ecco alcuni consigli utili per distribuire l'energia equamente e cucinare gli alimenti in modo uniforme.

- Disporre i cibi con estremità di dimensioni diverse, come cosce di pollo e broccoli, con la parte più spessa o più dura all'esterno del piatto. In questo modo, le parti che richiedono una cottura maggiore riceveranno più onde e il cibo verrà cucinato uniformemente.
- Coprire il piatto durante la cottura trattiene il calore e il vapore e accelera i tempi. Usare un coperchio per microonde o un involucro di plastica con un bordo rialzato in modo da creare uno sfuato per consentire al vapore in eccesso di fuoriuscire.
- Utilizzare piatti poco profondi e preferibilmente con margini diritti. I piatti poco profondi consentono al cibo di cuocere più velocemente e i bordi dritti evitano che le estremità cuociano troppo.
- Disporre utensili o cibi singoli, come pirottini o patate intere, lungo il margine esterno del piatto girevole. Lasciare un po' di spazio tra l'uno e l'altro in modo che le onde possano penetrare da tutti i lati.
- Utilizzare piatti per microonde rotondi. La forma rotonda garantisce una cottura più uniforme rispetto a quella quadrata o rettangolare, che assorbe la maggior parte dell'energia negli angoli causando la cottura eccessiva e l'indurimento del cibo.
- Mescolare i cibi dall'esterno verso l'interno del piatto, una o due volte durante la cottura, per uniformare il calore e velocizzare i tempi.
- Girare i cibi di medie-grandi dimensioni un paio di volte durante la cottura a microonde. In questo modo l'esposizione alle microonde viene uniformata.

- Tenere alcuni cibi, come torte, verdure grigliate e impasti, rialzati consente a una quantità maggiore di microonde di penetrare negli alimenti da tutti i lati, base e superficie superiore comprese. Utilizzare una griglia in ceramica o plastica per microonde. In mancanza della griglia, utilizzare una ciotola o una tazza rovesciata e appoggiarvi sopra il piatto o l'alimento.
- Non sollevare piatti speciali per la doratura, contenitori con salse o creme, piccole quantità di cibo o tazze con bevande.
- La temperatura interna degli alimenti continua ad aumentare in modo da proseguire la cottura anche dopo l'estrazione dal forno a microonde. È meglio, pertanto, che gli alimenti escano dal microonde leggermente indietro di cottura, poiché continueranno a cuocere anche dopo.

UTENSILI PER MICROONDE

- I contenitori, piatti, vassoi e tutti gli utensili che vengono utilizzati nel forno a microonde devono essere adatti al microonde. Controllare se indicato sul lato inferiore dell'utensile o contattare il produttore.
- Per verificare se un contenitore, un piatto o un vassoio è adatto al microonde, posizionarlo nel forno a microonde con 1 tazza (adatta al microonde) di acqua fredda e scaldare al 100% di potenza per 1 minuto. Se il contenitore è caldo e l'acqua è fredda, il contenitore non è adatto all'uso nel forno a microonde. Se il contenitore è freddo e l'acqua è calda, il contenitore è adatto all'uso nel forno a microonde.
- Gli utensili per microonde non si surriscaldano a causa dell'energia delle microonde, ma per il contatto con gli alimenti caldi. Quando il cibo si scalda, parte di questo calore viene trasferita al piatto. Utilizzare sempre guanti da forno o oggetti simili per rimuovere i piatti caldi dal microonde.
- Non inserire nel forno a microonde contenitori o utensili in metallo.



Manutenzione e pulizia

- Prima di procedere con la pulizia, scollegare la spina dalla presa di alimentazione.
- Mantenere pulito l'interno del forno a microonde. Pulire con un panno umido eventuali residui di cibo o schizzi di liquidi che aderiscono alle pareti interne del forno a microonde. È possibile utilizzare un detergente delicato se l'interno è molto sporco. Evitare l'uso di spray e altri detergenti aggressivi poiché potrebbero macchiare, rigare o sbiadire la superficie dello sportello.
- Le superfici esterne devono essere pulite con un panno umido. Per evitare danni ai componenti operativi all'interno del forno a microonde, non consentire all'acqua di penetrare nelle aperture di ventilazione.
- Pulire frequentemente lo sportello e il vetro su entrambi i lati delle guarnizioni e delle parti adiacenti con un panno umido per rimuovere eventuali schizzi o residui. Non utilizzare detergenti abrasivi.
- Evitare che il pannello di controllo si bagni. Pulire utilizzando un panno morbido umido. Quando si pulisce il pannello di controllo, lasciare lo sportello del forno a microonde aperto per evitare di accenderlo accidentalmente.
- In caso di residui di vapore all'interno o lungo il margine esterno dello sportello del microonde, rimuoverli con un panno morbido asciutto. Questa condizione è assolutamente normale quando si cucinano cibi molto umidi o se il forno a microonde viene utilizzato in condizioni di umidità elevata.

- Di tanto in tanto è necessario rimuovere il piatto girevole in vetro per pulirlo. Lavare il piatto girevole con acqua calda e sapone, sciacquare con acqua pulita e asciugare accuratamente.
- Il rullo del piatto girevole e il pianale inferiore del forno a microonde devono essere puliti regolarmente per garantire che il piatto ruoti correttamente e non produca rumore eccessivo. Pulire la superficie inferiore del forno con un panno morbido umido. Lavare il piatto girevole con acqua e detergente delicato, sciacquare con acqua pulita e asciugare accuratamente. Quando si rimuove il rullo del piatto girevole per pulirlo, assicurarsi di risistemarlo nella posizione corretta.
- Per eliminare gli odori dal forno a microonde, versare il succo di un limone e una tazza di acqua in una ciotola profonda per microonde e azionare al 100% per 5 minuti. Pulire accuratamente l'interno del forno e asciugare con un panno morbido.
- Per sostituire la luce del forno, rivolgersi al centro assistenza Sage.
- Non smaltire l'elettrodomestico insieme ai rifiuti domestici. Portarlo presso il centro di smaltimento idoneo locale.
- Se è necessario riporre il forno a microonde perché non verrà utilizzato per un po', premere il pulsante STOP/ANNULLA e scollegare il cavo dalla presa di alimentazione. Assicurarsi che il forno a microonde sia freddo, pulito e asciutto. Fissare l'anello del rullo e il piatto girevole in vetro e chiudere lo sportello. Non posizionare alcun oggetto pesante sull'elettrodomestico. Riporre il forno a microonde in posizione verticale.

PRIMA DI RICHIEDERE ASSISTENZA

- Verificare che il forno sia collegato in sicurezza. Se non lo è, rimuovere la spina dalla presa di alimentazione, attendere 10 secondi, quindi ricollegare l'elettrodomestico in sicurezza.
- Verificare che non vi siano fusibili del circuito bruciati e che l'interruttore principale non sia saltato. Se tutto sembra funzionare correttamente, testare la presa di alimentazione con un altro apparecchio.
- Verificare che il pannello di controllo sia programmato correttamente e che il timer sia impostato.
- Verificare che lo sportello si chiuda correttamente attivando il sistema di blocco di sicurezza. In caso di problemi, il sistema di blocco di sicurezza impedisce l'accensione del microonde.



NOTA

Se nessuna delle precedenti soluzioni risolve il problema, contattare il centro assistenza Sage. Non tentare di regolare o riparare il forno da soli.



Risoluzione dei problemi

PROBLEMA

SOLUZIONE SEMPLICE

Il forno a microonde crea delle interferenze con radio, TV o apparecchi simili

- Pulire lo sportello e la superficie di tenuta del forno.
- Riorientare l'antenna di ricezione della radio o della televisione.
- Cambiare la posizione del forno a microonde rispetto al ricevitore.
- Allontanare il forno a microonde dal ricevitore.
- Collegare il forno a microonde a una presa diversa in modo che il forno e il ricevitore si trovino su circuiti derivati diversi.

La luce della lampadina del forno è debole

- Se il forno viene azionato a livelli di potenza bassi, la luce risulta più debole.

Residui di vapore sullo sportello e aria calda che esce dalle prese di ventilazione

- Il normale funzionamento del forno può produrre vapore. La maggior parte uscirà attraverso le prese di ventilazione; tuttavia, una parte potrebbe accumularsi intorno allo sportello del forno.

POSSIBILE PROBLEMA

POSSIBILE CAUSA

SOLUZIONE SEMPLICE

Il forno a microonde non si accende.

- Il cavo di alimentazione non è collegato correttamente.
- Il fusibile è bruciato o c'è un problema nell'interruttore.
- La presa è danneggiata.

- Scollegare, reinserire la spina e accendere.
- Sostituire il fusibile o ripristinare l'interruttore.
- Richiedere un controllo professionale per verificare che la presa non sia difettosa.

Il forno a microonde non riscalda.

- Lo sportello non è chiuso correttamente.

- Assicurarsi che lo sportello sia chiuso correttamente.

Il piatto girevole in vetro fa rumore durante il funzionamento.

- Il rullo del piatto girevole non è stato posizionato correttamente o deve essere pulito.

- Riposizionarlo e pulire se necessario.



Garanzia

GARANZIA LIMITATA DI 2 ANNI

Sage Appliances offre una garanzia per l'utilizzo domestico di questo prodotto in specifiche aree geografiche; la copertura è di 2 anni a partire dalla data di acquisto. La garanzia copre eventuali malfunzionamenti causati da difetti di fabbricazione o dei materiali. Durante il periodo coperto dalla garanzia, Sage Appliances sarà tenuta a riparare o sostituire i prodotti difettosi o a rimborsare l'importo a essi corrispondente (a sola discrezione di Sage Appliances).

Tutti i diritti di garanzia previsti dalla legislazione nazionale applicabile verranno rispettati e non possono essere annullati dalla presente garanzia. Per tutti i termini e le condizioni della garanzia e per istruzioni su come inviare una richiesta di risarcimento, visitare il sito www.sageappliances.com.

the Compact Wave™ Soft Close

SMO650 EU



ES GUÍA RÁPIDA

Sage®



Índice

- 2 Sage recomienda seguridad ante todo
- 15 Componentes
- 16 Ensamblaje
- 18 Funciones
- 20 Funciones de cocina
- 22 Consejos y sugerencias
- 24 Cuidado y limpieza
- 26 Resolución de problemas
- 27 Garantía

SAGE RECOMIENDA SEGURIDAD ANTE TODO

En Sage nos preocupa mucho la seguridad. Para el diseño y la fabricación de nuestros productos de consumo tenemos en cuenta, antes que nada, la seguridad de nuestros clientes, como tú. También te rogamos que actúes cuidadosamente al usar cualquier electrodoméstico y que tomes las precauciones siguientes.

MEDIDAS DE SEGURIDAD IMPORTANTES



ADVERTENCIA

Para reducir el riesgo de quemaduras, descarga eléctrica, incendio, lesiones a personas o exposición excesiva a la energía del microondas:

LEE TODAS LAS INSTRUCCIONES ANTES DEL USO Y GUÁRDALAS PARA PODER CONSULTARLAS EN EL FUTURO.

Hay una versión de este documento disponible en sageappliances.com para descargar.

- Antes de usar el producto por primera vez, asegúrate de que la tensión de la toma de corriente coincida con la que figura en la etiqueta en la base del aparato.
- No retires la placa mica situada en el panel derecho del interior de la cavidad del microondas. Esta placa no forma parte

- del embalaje y debe permanecer dentro de la cavidad del microondas para garantizar un funcionamiento seguro. Consulta la página 15 sobre los componentes del SMO650.
- Retira y desecha de forma apropiada los materiales de embalaje o las etiquetas promocionales adjuntas antes de usar el horno microondas de Sage por primera vez.
 - Lee y sigue las **“PRECAUCIONES PARA EVITAR UNA POSIBLE EXPOSICIÓN EXCESIVA A LA ENERGÍA DEL MICROONDAS”** en la página 11.
 - El aparato debe conectarse a tierra. Enchufar solo en una toma de corriente apropiada. Consulta las **“INSTRUCCIONES DE CONEXIÓN A TIERRA”** en la página 13.
 - Instala y coloca este aparato siguiendo solo las instrucciones de instalación proporcionadas en la página 16.
 - Algunos productos, como huevos enteros y envases sellados, por ejemplo, frascos de vidrio cerrados, pueden explotar y no deben calentarse en este horno.
 - Utiliza este aparato solo para el uso previsto descrito en el manual. No utilices químicos o vapores corrosivos en este aparato. Este tipo de horno está diseñado específicamente para calentar o cocinar comida. No está diseñado para un uso industrial o de laboratorio.
 - Al igual que con cualquier otro aparato, se requiere una supervisión minuciosa cuando el aparato es utilizado por niños.
 - Este aparato puede ser utilizado por niños mayores de 8 años y personas con discapacidades físicas, mentales o sensoriales, o sin experiencia ni conocimientos de uso, siempre y cuando reciban supervisión o instrucciones para el uso seguro del dispositivo y comprendan

los riesgos implicados.
No permitas que los niños jueguen con el aparato.
Los niños no deben realizar la limpieza ni tareas de mantenimiento sin supervisión.

- El aparato no está diseñado para ser usado por personas (incluidos niños) con discapacidades físicas, sensoriales o mentales, o sin experiencia ni conocimientos de uso, a menos que estén supervisados o reciban instrucciones concretas sobre el uso del aparato por parte de una persona responsable de su seguridad.
- Los niños deben ser supervisados para asegurar que no juegan con el aparato.
- No utilices el aparato cuando el cable o el enchufe esté dañado, no funcione correctamente, esté estropeado o se haya caído.
- Este aparato debe ser reparado solo por personal cualificado.

- Contacta con el centro de servicio autorizado más cercano para que lo examinen, reparen o reajusten.
- No cubras ni bloquees ninguna abertura del aparato.
- No dejes este aparato al aire libre.
- No uses este aparato cerca del agua, por ejemplo, al lado del fregadero de la cocina, en un sótano húmedo, o cerca de una piscina y áreas similares.
- No sumerjas el cable de alimentación, el enchufe o el aparato en agua ni en ningún otro líquido.
- Mantén el cable alejado de superficies calientes.
- Evita que el cable sobresalga del borde de una encimera o una mesa, entre en contacto con superficies calientes o se enrede.
- Para limpiar las superficies de la puerta y el horno que se juntan al cerrar la puerta, usa solo jabones o detergentes suaves no abrasivos aplicados

con una esponja o paño suave. El uso de productos químicos corrosivos para limpiar, puede dañar el aparato y resultar en fugas de radiación.

- Para reducir el riesgo de fuego en la CAVIDAD del horno:
- No cocines la comida en exceso. Vigila cuidadosamente el aparato cuando haya papel, plástico u otros materiales inflamables en el interior del horno para facilitar la cocción.
- Retira los alambres plastificados del papel o de las bolsas de plástico antes de poner la bolsa en el horno.
- En caso de que los materiales dentro del horno se incendien, mantén la puerta del horno cerrada, apágalo y desconecta el cable, o baja el fusible o interruptor del cuadro general eléctrico.
- No utilices la CAVIDAD para almacenaje. No dejes productos de papel, utensilios de cocina o comida en la CAVIDAD cuando no estés utilizando el aparato.
- Para evitar riesgos de asfixia de niños pequeños, retira y desecha correctamente la cubierta protectora acoplada al enchufe del horno microondas de Sage.
- No dejes el horno microondas cerca del borde de una encimera o mesa mientras esté en funcionamiento. Asegúrate de que la superficie esté nivelada, limpia y sin agua u otras sustancias.
- No dejes el horno microondas encima o cerca de un quemador de gas o eléctrico, ni donde pueda entrar en contacto con un horno caliente.
- Asegúrate de que el microondas esté instalado y disponga de espacio suficiente alrededor para ponerlo en funcionamiento, según se recomienda en la sección de Instalación de la página 16.

- No incorpores ni encierres el microondas en un armario o espacio reducido ya que podría sobrecalentarse. (Consulta la sección Instalación en la página 16).
- Haz funcionar siempre el horno microondas sobre una superficie resistente al calor. No lo utilices encima de una superficie cubierta con tela, cerca de cortinas u otros materiales inflamables.
- No uses el horno microondas sobre una superficie metálica.
- Asegúrate siempre de que el horno microondas esté bien montado antes de conectarlo a una toma de corriente y ponerlo en funcionamiento. No uses el horno sin que el rodillo y el plato de cristal giratorios estén colocados en su sitio. Asegúrate de que el plato de cristal esté correctamente encajado en las marcas del rodillo giratorio.
- Este horno microondas no está diseñado para utilizarse mediante un temporizador externo ni otros sistemas de control remoto.
- No uses nunca el horno microondas sin que tenga comida o agua en la cavidad. Hacer funcionar el horno microondas cuando está vacío, podría dañarlo.
- Supervisa el horno microondas en todo momento mientras esté en funcionamiento.
- No toques las superficies calientes.
- Deja que el horno microondas se enfríe antes de mover o limpiar cualquier pieza.
- Asegúrate siempre de que el cable de alimentación del horno microondas esté desenchufado antes de intentar moverlo, cuando no esté en funcionamiento, al dejarlo desatendido, y antes de desmontarlo, limpiarlo o guardarlo.
- Cuando no utilices el horno microondas, déjalo siempre apagado dándole al botón de PARAR/CANCELAR

y desenchúfalo de la toma de corriente.

- Antes de limpiarlo, pulsa siempre el botón de **PARAR/CANCELAR** y desenchúfalo de la toma de corriente.
- Algunos líquidos, como el agua, el café o el té, pueden calentarse por encima de su punto de ebullición, aunque a simple vista no parezca que estén hirviendo o burbujeando. **ESTO PODRÍA CAUSAR QUE ALGUNOS LÍQUIDOS MUY CALIENTES EMPIECEN A HERVIR DE REPENTE CUANDO EL RECIPIENTE O LA SUPERFICIE LÍQUIDA SEAN ALTERADOS, ASÍ COMO CUANDO SE INSERTE UNA CUCHARA O UTENSILIO DENTRO DEL LÍQUIDO.**

ADVERTENCIA

Si la puerta o sus burletes están dañados, no se debe encender el horno hasta que una persona capacitada los repare.

ADVERTENCIA

Es peligroso que cualquier persona, aparte de alguien capacitado, realice un servicio o reparación que involucre retirar la cubierta que protege de la exposición a la energía que desprende el microondas.

ADVERTENCIA

Algunos líquidos y comidas no se deben calentar en recipientes sellados, ya que podrían explotar.

MEDIDAS DE SEGURIDAD IMPORTANTES PARA TODOS LOS APARATOS ELÉCTRICOS

- Desenrolla completamente el cable de alimentación antes de usar el electrodoméstico.
- Se recomienda inspeccionar el aparato regularmente. Para evitar riesgos, no utilices el aparato si el cable de alimentación, el enchufe o el aparato propiamente dicho están dañados. Interrumpe el uso y llama al servicio de atención al consumidor de Sage de inmediato para que lo examine, repare o ajuste.
- Contacta con el servicio de atención al consumidor de Sage para cualquier otro mantenimiento aparte de la limpieza.
- Este aparato es solo para uso doméstico. No utilices el aparato para fines distintos de su uso previsto. No lo utilices en vehículos o embarcaciones en movimiento. No lo utilices al aire libre. Un uso inapropiado podría causar lesiones.
- Se debe usar una toma de corriente de 230-240 voltios, 50 Hz, solo AC, 15-20 amp, con un fusible o interruptor, según todos los códigos de gobernanza y ordenanzas federales, estatales y locales.
- Asimismo, recomendamos usar un interruptor independiente solo para este horno microondas.
- Se suministra un cable de alimentación corto para reducir el riesgo de enredos y tropiezos, como ocurriría con un cable más largo.
- Se recomienda instalar un interruptor diferencial de seguridad para ofrecer protección adicional al usar aparatos eléctricos. Se recomienda instalar en el circuito eléctrico que alimenta el aparato un interruptor de seguridad con una corriente de

funcionamiento residual nominal no superior a 30 mA. Solicita asesoramiento profesional a un electricista.

- El aparato debe enchufarse en una toma de corriente con conexión a tierra. Si no sabes si la toma de corriente está conectada a tierra, consúltalo con un electricista.
- Jamás debes modificar el enchufe ni usar un adaptador.

INSTRUCCIONES ESPECIALES DE SEGURIDAD PARA USAR EL HORNO MICROONDAS

- Limpia la cavidad del horno con un paño suave y húmedo después de cada uso. Dejar residuos de comida, aceite o grasa en la cavidad, podría causar un sobrecalentamiento de la cavidad del horno microondas e incluso generar humo o fuego.
- Deja que el plato giratorio de cristal se enfríe a temperatura ambiente

antes de lavarlo o introducirlo en agua fría.

- El horno microondas debe limpiarse asiduamente y cualquier resto de comida que caiga dentro de la cavidad debe sacarse. Si no mantienes el horno microondas limpio, la superficie podría deteriorarse, lo que afectaría a la vida útil del aparato y resultaría, posiblemente, en una situación peligrosa.
- No utilices un limpiador a vapor para limpiar el horno microondas.
- El horno microondas está diseñado para calentar comida y bebidas. Secar alimentos o comida, o calentar estropajos, zapatillas, esponjas, paños húmedos o similares, podría provocar lesiones, fuegos o incendios.
- Asegúrate de que todos los recipientes de comida o platos que uses sean aptos para este horno microondas. Esto debe hacerse antes de preparar comida para calentar o cocinar en el horno microondas.

- Todos los recipientes de cristal o plástico aptos para este aparato, deben utilizarse en estricta conformidad con las recomendaciones para artículos de cocina proporcionadas por el fabricante.
- Los recipientes o platos aptos para este horno microondas no deben sobrepasar la anchura del plato giratorio de cristal, ya que podría impedir la rotación del rodillo y la comida no se cocinaría uniformemente, e incluso podría quemarse o arder.
- No se debe calentar ni cocinar directamente comida o líquidos sobre el plato giratorio de cristal. Se deben meter los líquidos o la comida en un recipiente apto para microondas antes de ponerlos encima del plato giratorio de cristal.
- No se debe calentar ni cocinar comida o líquidos en recipientes o bolsas de plástico o papel, a menos que el fabricante lo especifique como apto, ya que podrían explotar o arder.
- No uses papel o papel de cocina reciclados al cocinar. El papel reciclado puede contener pequeños metales u otras impurezas que podrían provocar chispas o fuego.
- No utilices recipientes o utensilios de metal en el microondas ya que podrían provocar chispas o fuego.
- No se debe utilizar papel de aluminio apto para comida en el microondas ya que podría provocar chispas o fuego.
- Asegúrate de haber quitado las cubiertas o tapas de los recipientes antes de introducir los líquidos o la comida en el horno microondas.
- Se deben quitar las cubiertas y tapas de los biberones y frascos de potitos antes de calentarlos en el horno microondas. Para evitar el riesgo de sufrir quemaduras después de calentar líquidos o comida, debes mover o agitar el contenido y comprobar la temperatura antes de servir.

- Asegúrate siempre de haber comprobado la temperatura de la comida o bebida calentada o cocinada en el horno microondas antes de comer, beber o servir.

PRECAUCIONES PARA EVITAR UNA EXPOSICIÓN EXCESIVA A LA ENERGÍA DEL MICROONDAS

- No intentes utilizar este horno con la puerta abierta, ya que el funcionamiento del aparato con la puerta abierta podría resultar en una exposición nociva a la energía del microondas. Es importante no forzar ni manipular los bloqueos de seguridad.
- No coloques ningún objeto entre la parte frontal del horno y la puerta, ni permitas que se acumulen residuos de suciedad o productos de limpieza en las superficies de sellado.
- Si la puerta o sus burletes están dañados, no se debe encender el horno. Interrumpe el uso y llama al servicio de atención al consumidor de Sage de inmediato para que lo examine, repare o ajuste. Es particularmente importante que la puerta del horno cierre correctamente y que ninguno de los siguientes esté dañado: (1) Puerta (doblada), (2) Bisagras y pestillos laterales (rotos o flojos), (3) Burletes de la puerta y superficies de sellado.
- No coloques ningún cuerpo extraño entre la puerta y la jamba de la puerta del horno microondas.
- El horno no debe ser ajustado o reparado por nadie, excepto por un técnico debidamente cualificado.

LÍQUIDOS SOBRECALENTADOS

- Para reducir el riesgo de sufrir quemaduras:
- No sobrecalientes el líquido.
- Remueve el líquido tanto antes como a mitad del calentamiento.

- Las bebidas calentadas en el microondas pueden llegar a hervir y derramarse. Ten cuidado al manejar estas bebidas.
- No utilices recipientes de lados rectos con bocas estrechas.
- Después de calentar, deja reposar el recipiente en el horno microondas durante un corto período de tiempo antes de sacarlo.
- Ten mucho cuidado al insertar una cuchara u otro utensilio en el recipiente.
- No calientes palomitas en el horno microondas a menos que vengan en un empaquetado comercial específico para microondas. Es posible que algunos granos de maíz no exploten y se acaben sobrecocinando y quemando. No utilices aceite a menos que el fabricante lo recomiende. No superes el tiempo de cocción recomendado en las instrucciones del fabricante para preparar palomitas (3 minutos como máximo). Una cocción más prolongada podría quemar las palomitas o provocar fuego.
- No cocines ningún tipo de comida rodeada por una membrana (como patatas, hígado de pollo, yema del huevo, ostras, etc.), sin agujerearla antes varias veces para permitir que el vapor pueda salir.
- No se deben cocinar o calentar huevos con cáscara o cocidos en el horno microondas ya que podrían explotar durante o al final de la cocción, o después de retirarlos del horno microondas.
- No calientes aceite o grasa en el horno microondas. Hacerlo puede causar que el horno microondas o el aceite se sobrecalienten o se incendien.
- Si observas humo, apaga y desenchufa el horno microondas. Mantén la puerta cerrada para sofocar las posibles llamas.
- No intentes hacer funcionar el horno microondas con métodos distintos a los descritos en este libro de instrucciones.

- Se debe comprobar que los utensilios sean aptos para hornos microondas antes de usarlos.
- No desconectes o manipules el cable de alimentación o la toma de corriente mientras la unidad esté en funcionamiento.
- Enrolla el cable sin apretar al guardar el horno microondas. No enrolles el cable alrededor del horno microondas.
- Cuando calientes comida en recipientes de plástico o papel, supervisa el horno microondas por si comenzara a arder.
- La ventana de cristal ha sido tratada especialmente para hacerla más fuerte, más duradera y más segura que el vidrio convencional. Sin embargo, no es irrompible. Si se cae o sufre un golpe fuerte, puede romperse o debilitarse, y después podría quebrarse en muchos pedazos pequeños sin causa aparente.
- Si ves alguna chispa, arco eléctrico o destello dentro del horno microondas, presiona el botón de PARAR/CANCELAR y soluciona el problema o contacta con el servicio de atención al consumidor de Sage para que te ayude.

INSTRUCCIONES DE CONEXIÓN A TIERRA



ADVERTENCIA

Un uso inapropiado de la conexión a tierra puede resultar en riesgo de descarga eléctrica.

- Este aparato está equipado con un cable de alimentación que tiene un conductor de conexión a tierra con su respectiva clavija. El aparato debe conectarse a tierra utilizando una toma de corriente de tres orificios adecuada. En caso de producirse un cortocircuito, la conexión a tierra reduce el riesgo de descarga eléctrica.
- Jamás debes cortar o extraer la clavija con conexión a tierra del cable

de alimentación, o usar un adaptador.

- Ante cualquier duda con respecto a las instrucciones sobre conexión a tierra o si no sabes si el aparato está correctamente puesto, consulta con un electricista calificado.
- No uses un alargador. Si el cable de alimentación es demasiado corto, pide a un electricista o técnico cualificado que instale una toma de corriente cerca del aparato.

PRECAUCIÓN

Los cambios o modificaciones que no hayan sido expresamente aprobados por la parte responsable del cumplimiento, puede anular la autoridad del usuario para operar el producto.

ESPECIFICACIONES

Consumo de energía	230–240V ~ 50Hz 1250 W
Potencia	800 W - 2450 MHz
Dimensiones exteriores	29,2 cm (alto) 48,5 cm (ancho) 41,7 cm (prof.) con mango 38,7 cm (prof.) sin mango
Diámetro del plato giratorio de cristal	27 cm
Peso neto	Aprox. 12,85 kg
Capacidad del horno	25 litros

Estas especificaciones pueden cambiar sin previo aviso.

SOLO PARA USO DOMÉSTICO GUARDA ESTAS INSTRUCCIONES



Componentes



- A. Ventana de visualización
- B. Asa de la puerta: tira del asa para abrir.
- C. Pantalla LED
- D. Botón de NIVEL DE POTENCIA:
La potencia predeterminada es P100 (100 %).
Al presionar el botón de POTENCIA de nuevo, el NIVEL DE POTENCIA disminuirá de P100 (100 %) a P10 (10 %), en incrementos del 10 %.
- E. Función de DESCONGELAR y RECALENTAR
- F. Función de PALOMITAS
- G. Función de MENÚ DE COMIDA
- H. Función de BEBIDA
- I. Dial de TIEMPO
- J. Botón de silencio
- K. Botón para COMENZAR/COMIENZO INSTANTÁNEO DE +30. Cada vez que se pulsa, se añaden incrementos de 30 segundos al 100 % de potencia.
- L. Botón para PARAR/CANCELAR/ SEGURO INFANTIL. Mantén pulsado el botón para PARAR/CANCELAR durante tres segundos para activar el seguro para niños.
- M. Botón para CONFIGURAR RELOJ
- N. Placa mica
Para garantizar un funcionamiento seguro, no la retires.

CE Información de potencia
230–240V ~ 50Hz 1250 W



Ensamblaje

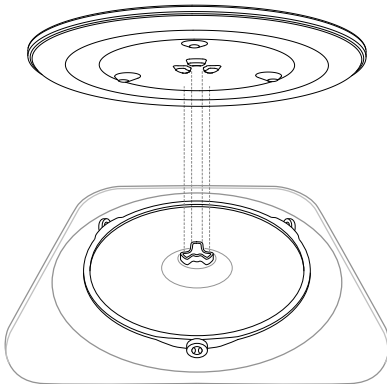
ANTES DEL PRIMER USO

Antes de usarlo por primera vez, retira todas las pegatinas promocionales y el material del embalaje. Sacar cuidadosamente el horno microondas de la caja y guarda todo el material de embalaje hasta que hayas encontrado todas las partes y montado el aparato. Se recomienda mantener todo el material de embalaje en un lugar seguro por si necesitas volver a guardar el producto para fines de envío.

Para quitar el polvo que se haya podido acumular durante el proceso de embalaje, lava el rodillo y el plato de cristal giratorios con agua tibia jabonosa, enjuaga con agua limpia y seca completamente. Limpia el interior y exterior del horno microondas con un paño suave y húmedo, y luego sécalo bien.

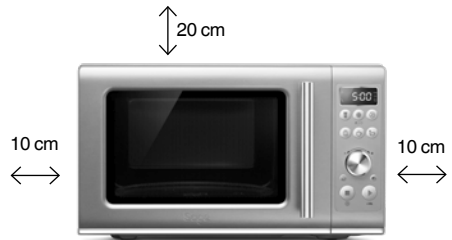
MONTAJE DEL PLATO GIRATORIO DE CRISTAL

Inserta el rodillo giratorio en el espacio marcado en la base de la cavidad del horno. Coloca el plato giratorio de cristal encima del rodillo, de manera que encaje perfectamente en las marcas del rodillo giratorio de la zona central.



INSTALACIÓN Y ENCENDIDO DEL HORNO MICROONDAS

- Este horno microondas está diseñado para usarse como una unidad independiente.
- Selecciona una superficie nivelada con suficiente espacio abierto para los conductos de ventilación de entrada y salida.
- Se requiere un espacio libre mínimo de 10 cm entre el microondas y las paredes adyacentes.
- Deja un espacio libre mínimo de 20 cm sobre el microondas.
- No quites las patas de la parte inferior del microondas.
- El bloqueo de las aberturas de entrada y salida puede dañar el microondas.
- Coloca el microondas lo más lejos posible de radios y televisores.
- El funcionamiento del microondas puede interferir con la señal de tu radio o televisor.
- Enchufa el microondas a una toma de corriente estándar. Asegúrate de que el voltaje y la frecuencia coincidan con lo que figura en la etiqueta.
- El microondas no se debe meter en un armario.





ADVERTENCIA

- Para evitar una sobrecarga del circuito eléctrico, se recomienda no enchufar ningún otro aparato en el mismo circuito que el horno microondas (u otros productos) cuando esté en funcionamiento.
- No dejes el horno sobre la estufa de cocina u otros aparatos que generen calor. Si se deja el horno cerca o encima de una fuente de calor, podría dañarse y la garantía quedaría anulada.
- Revisa el horno en busca de daños, como una puerta desalineada o doblada, burletes o superficies de sellado dañados, bisagras y pestillos rotos o flojos, y abolladuras dentro de la cavidad o en la puerta. Si el horno está dañado, no lo enciendas y contacta con el centro de servicio de Sage.
- No sumerjas el horno microondas, el cable de alimentación ni el enchufe en agua ni en ningún otro líquido.



Funciones

CONFIGURACIÓN DEL RELOJ - FORMATO DE 24 HORAS

Presiona el botón para CONFIGURAR RELOJ en el panel de la interfaz. El microondas emitirá un solo pitido.

La hora predeterminada es 06:00. Los dígitos iluminados parpadearán para mostrar que se pueden ajustar.

Gira el dial de TIEMPO para ajustar las horas y pulsa el botón COMENZAR o CONFIGURAR RELOJ para confirmar. El microondas emitirá un solo pitido.

Ahora parpadearán los minutos para mostrar que se pueden ajustar. Gira el dial de TIEMPO para ajustar los minutos y pulsa el botón COMENZAR o CONFIGURAR RELOJ para confirmar. Cuando se haya guardado la hora, el reloj parpadeará dos veces y el microondas emitirá un solo pitido.



NOTA

Si olvidas pulsar COMENZAR para confirmar las horas o los minutos, el microondas guardará tu selección automáticamente pasado un minuto.

ACTIVACIÓN DEL BLOQUEO INFANTIL

Mantén pulsado el botón PARAR/ CANCELAR ⊗ durante 3 segundos. La pantalla del BLOQUEO INFANTIL parpadeará tres veces y el microondas emitirá un solo pitido.



Para desactivar el BLOQUEO INFANTIL, mantén pulsado el botón PARAR/ CANCELAR durante 3 segundos. Se mostrará el reloj y podrás utilizar tu microondas completamente de nuevo.

MODO DE ESPERA

Si se deja el microondas sin usar durante un minuto, se activará el modo de ESPERA y se mostrará el reloj.

Si no se ha configurado el reloj, la pantalla permanecerá en 00:00.



Si se ha configurado el reloj, se mostrará la hora en la pantalla.

AJUSTE DE NIVEL DE TIEMPO Y POTENCIA

El tiempo máximo de cocción del microondas es 95 minutos (95:00).

Hay 10 niveles de potencia disponibles.

⌚ Ajustar el tiempo

Gira el dial de TIEMPO en el sentido de las agujas del reloj para establecer el tiempo deseado, luego pulsa comenzar.

El tiempo predeterminado será de 30 segundos.

☰ Ajustar el nivel de potencia

Pulsa el botón de ENCENDIDO/APAGADO en la interfaz. La potencia predeterminada es P100 (100 %).

Al presionar el botón de POTENCIA de nuevo, el NIVEL DE POTENCIA disminuirá de P100 (100 %) a P10 (10 %), en incrementos del 10 %.

AJUSTE DE POTENCIA DINÁMICA

Los ajustes del menú de comida tienen tiempos de cocción y niveles de potencia predeterminados para obtener los mejores resultados. Sin embargo, para adaptarse a tus preferencias personales, se puede ajustar tanto el tiempo como la potencia durante el ciclo de cocción al utilizar el modo manual.

Cuando se usan las opciones de descongelar, recalentar, palomitas, bebida o menú de comida, solo se puede ajustar el tiempo.

Al pulsar el botón de ENCENDIDO/APAGADO, se puede incrementar o disminuir el nivel de potencia en cualquier momento durante el ciclo de cocción.



NOTA

Ajustar el nivel de potencia durante el calentamiento no afecta al tiempo.

El tiempo también se puede ajustar durante el ciclo de cocción. Si giras el dial de TIEMPO, puedes incrementarlo o disminuirlo. Si pulsas el botón de COMENZAR, el tiempo aumentará 30 segundos cada vez.

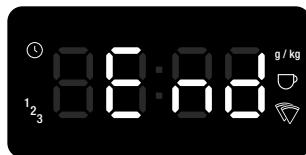
+30s COMIENZO INSTANTÁNEO DE +30 S

Pulsa el botón de COMENZAR/COMIENZO INSTANTÁNEO DE +30 S para empezar a cocinar instantáneamente durante 30 segundos con el 100 % de la potencia del microondas. Cada vez que lo pulses, aumentarás el tiempo de cocción 30 segundos.

CUANDO LA COCCIÓN FINALIZA

Al final de todo ciclo de cocción, el microondas emitirá un pitido tres veces, y la palabra End se iluminará en la pantalla.

La palabra End permanecerá iluminada en la pantalla durante cinco minutos o hasta que se abra la puerta.



⊗ PARAR/CANCELAR

Pulsa PARAR/CANCELAR una vez durante el ciclo de cocción para pausarlo, y púlsalo otra vez para cancelar la cocción y volver a la pantalla predeterminada.

🔇 SILENCIO

Este programa te permite silenciar el horno microondas durante el funcionamiento.

Para silenciar el microondas, selecciona el botón SILENCIO de la interfaz.

Al seleccionar el programa SILENCIO, no se emitirá ningún sonido y la pantalla mostrará OFF.



Para desactivar el modo silencio, pulsa el botón SILENCIO una segunda vez.



Funciones de cocina



Palomitas

La función PALOMITAS está diseñada para que exploten el mayor número de granos de maíz posible.

Para seleccionar esta función, pulsa el botón PALOMITAS. Coloca la bolsa en el centro del plato giratorio.

Gira el dial de TIEMPO para seleccionar el peso o pulsa el botón de PALOMITAS otra vez, y después COMENZAR para que empiecen a cocinarse.

Las opciones de peso son 25 g, 85 g y 100 g.



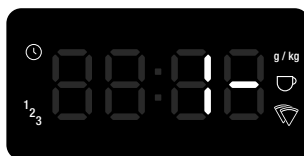
Bebida

La función BEBIDA sirve para recalentar bebidas calientes como café o té que pueden haberse enfriado. La función BEBIDA calienta tu bebida hasta aprox. los 60-65 °C, que es la temperatura adecuada para beber al instante.

Para seleccionar esta función, pulsa el botón BEBIDA. Coloca la taza en el centro del plato giratorio.

Gira el dial de TIEMPO para seleccionar el peso o pulsa el botón de PALOMITAS otra vez, y después COMENZAR para que empiecen a cocinarse. Puedes seleccionar la cantidad de bebida, desde una taza (240 ml) a cuatro tazas (960 ml).

Al final del ciclo de recalentamiento, remueve las bebidas calentadas y déjalas reposar durante 1-2 minutos antes de consumirlas. Ten en cuenta que si sobrecalientas las bebidas, pueden quemarse.



MENÚ DE COMIDA

La función de menú de comida está diseñada para cocinar automáticamente a la potencia adecuada, durante el tiempo correcto.

Según el alimento que selecciones, el indicador de la pantalla del microondas puede variar. Estos indicadores tienen como objetivo mostrar qué cantidad y volumen puede ajustarse para cada función.



Patatas

La función PATATAS está diseñada para cocinar perfectamente patatas enteras en el microondas.

Antes de cocinar las patatas, pínchalas con un tenedor 5 o 6 veces. Coloca las patatas enteras en una sola capa encima del plato giratorio.

Para seleccionar esta función, pulsa el botón MENÚ DE COMIDA. La función PATATAS corresponde al código F-1. Cuando se selecciona la función PATATAS, la pantalla muestra lo siguiente:



Gira el dial de TIEMPO para seleccionar el número de patatas y pulsa COMENZAR para empezar a cocinar. Puedes seleccionar desde una (285 g) a tres patatas (850 g).

Pizza

La función PIZZA está diseñada para recalentar perfectamente las porciones de pizza sobrantes.

Para seleccionar esta función, pulsa el botón MENÚ DE COMIDA dos veces. La función PIZZA corresponde al código F-2. Cuando se selecciona la función PIZZA, la pantalla muestra lo siguiente:



Gira el dial de TIEMPO para seleccionar el número de porciones y pulsa COMENZAR para empezar a cocinar. Puedes seleccionar desde una a cuatro porciones de pizza.

Verdura congelada

La opción VERDURA CONGELADA es apta para una selección de verduras congeladas, como zanahorias, brócoli, coliflor y guisantes. Los tiempos de cocción se basan en la temperatura de las verduras del congelador (aprox. -18 °C).

Para seleccionar esta función, pulsa el botón MENÚ DE COMIDA tres veces. La función VERDURA CONGELADA corresponde al código F-3. Cuando se selecciona la función VERDURA CONGELADA, la pantalla muestra lo siguiente:



Gira el dial de TIEMPO para seleccionar el peso y pulsa COMENZAR para empezar a cocinar. Puedes seleccionar entre 125 g, 250 g, 375 g y 500 g.

Cubre con una tapa de plástico apta para microondas con aberturas de ventilación, o con film de plástico apto para microondas con agujeros de ventilación. No hace falta añadir agua.

Una vez que se hayan terminado de cocinar las verduras, déjalas reposar durante cinco minutos antes de servir.

DESCONGELAR

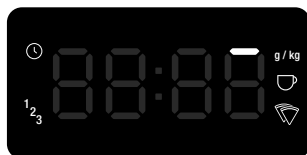
La función DESCONGELAR está diseñada para descongelar comida delicadamente sin sobrecalentar o secar los bordes.

Después del ciclo de descongelación, la mayoría de alimentos siguen quedando un poco congelados en el centro cuando se sacan del microondas. Deja que reposen durante 5-15 minutos hasta que se hayan descongelado por completo.

Para seleccionar esta función, pulsa el botón DESCONGELAR de la interfaz principal. Esta función te permitirá descongelar por peso o por tiempo.

Descongelar por peso

Para descongelar por peso, pulsa el botón DESCONGELAR. Cuando se selecciona la función descongelar por peso, la pantalla LED muestra lo siguiente:

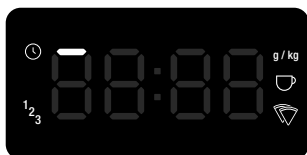


Gira el dial de TIEMPO para seleccionar el peso deseado. El rango de peso varía desde los 100 g a 1,5 kg. Pulsa COMENZAR.



Descongelar por tiempo

Para descongelar por tiempo, pulsa el botón **DESCONGELAR** dos veces. Cuando se selecciona la función descongelar por tiempo, la pantalla LED muestra lo siguiente:



Gira el dial de **TIEMPO** para seleccionar el tiempo deseado y pulsa **COMENZAR**.

RECALENTAR

La función **RECALENTAR** usa niveles de potencia más bajos para recalentar la comida delicadamente sin secarla o sobrecocinarla.

Para seleccionar esta función, pulsa el botón **RECALENTAR**.

Gira el dial de **TIEMPO** para seleccionar el tiempo deseado y pulsa **COMENZAR**.



Consejos y sugerencias

ALGUNOS CONSEJOS IMPORTANTES PARA COCINAR CON MICROONDAS

Para ayudar a igualar la energía en la comida y que se cocine de manera uniforme, sigue estos consejos útiles.

- Distribuye los alimentos por tamaño, como los muslos de pollo y el brócoli, de manera que la parte más gruesa o robusta quede colocada hacia la parte exterior del plato. De esta manera, las partes que requieren más cocción, reciben más energía para que resulte en una cocción uniforme.
- Cubrir el plato durante la cocción mantiene el calor y el vapor, lo que acelera el tiempo de cocción. Usa una tapa o film de plástico apto para microondas con un borde doblado hacia atrás hasta formar una ventilación estrecha, de manera que deje salir el exceso de vapor.
- Cocina en platos poco profundos. Los platos poco profundos permiten que la comida se cocine más rápido.
- Distribuye los artículos, como ramequines y patatas enteras, alrededor de la parte exterior del plato giratorio. Asegúrate de dejar espacio entre los artículos para que la energía penetre por todos lados.
- Usa platos redondeados para microondas. Los platos redondeados permiten una cocción más uniforme que los de forma cuadrada o rectangular, cuyos bordes absorben la mayor parte de la energía, lo que resulta en comida sobrecocinada y dura.
- Remueve la comida desde fuera hacia dentro en el plato, una o dos veces durante la cocción para igualar el calor y acelerar la cocción en microondas.

- Dale la vuelta dos veces a los alimentos de tamaño mediano o mayor durante la cocción con microondas. Esto permite una exposición uniforme a las ondas del microondas.
- Elevar algunas comidas, como tartas, verduras asadas y productos de masa, puede tener ventajas. Permite que penetre más energía en la comida desde todos los lados, la base y la parte superior. Usa una rejilla de plástico o cerámica apta para microondas. Si no dispones de una rejilla, usa un bol o taza boca abajo para elevar los platos de comida.
- No eleves ningún plato especial para dorar, jarras de salsa o natillas, pequeñas cantidades de comida o tazas de bebida.
- La comida mantiene una temperatura interna que aumenta y permite que siga cocinándose incluso hasta después de haberla sacado del horno microondas. Es mejor dejar la comida poco hecha, ya que seguirá cocinándose después de haberla sacado del microondas.

UTENSILIOS PARA MICROONDAS

- Todos los recipientes, platos, fuentes, etc. que se utilicen en el horno microondas, deben ser aptos para microondas. Comprueba si se indica en la parte inferior del utensilio o ponte en contacto con el fabricante.
- Para comprobar si un recipiente, plato o fuente es apto para microondas, colócalo en el horno microondas con una taza (apta para microondas) de agua fría, y ponlo a calentar durante un minuto al 100 % de potencia. Si el recipiente está caliente y el agua fría, entonces no es apto para usarlo en el horno microondas. Si el recipiente está frío y el agua caliente, entonces es apto para usarlo en el horno microondas.
- Los utensilios de cocina aptos para microondas no se calientan con la energía que desprende, pero sí al entrar en contacto con comida caliente. Cuando la comida está caliente, parte de este calor se transfiere al plato. Usa siempre manoplas o paños para horno al sacar platos calientes del microondas.
- No se deben utilizar recipientes ni utensilios de metal en el horno microondas.



Cuidado y limpieza

- Desenchufa el aparato antes de limpiarlo.
- Mantén limpio el interior del horno microondas. Cuando la comida salpique o se derrame algún líquido y se quede adherido a las paredes internas del horno microondas, límpialo con un paño húmedo. Se puede usar un detergente suave si la cavidad se ensucia demasiado. Evita usar espráis y otros productos de limpieza fuertes, ya que pueden manchar, marcar o dejar sin brillo la superficie de la puerta.
- Las superficies exteriores deben limpiarse con un paño húmedo. Para evitar que las partes operativas de la cavidad del horno microondas se dañen, no dejes que se filtre agua por los conductos de ventilación.
- Limpia frecuentemente la puerta y la ventana a ambos lados de los burletes de la puerta, así como las partes adyacentes con un paño húmedo para eliminar derrames o salpicaduras. No uses productos de limpieza abrasivos.
- No dejes que el panel de control se moje. Límpialo con un paño suave y húmedo. Mientras limpias el panel de control, deja la puerta del microondas abierta para evitar que se encienda accidentalmente.
- Si se acumula vapor dentro o alrededor de la parte exterior de la puerta del microondas, límpialo con un paño suave y seco. Es normal que esto ocurra al cocinar alimentos muy húmedos o si se utiliza el horno microondas bajo condiciones de alta humedad.
- Ocasionalmente, es necesario quitar el plato giratorio de cristal para limpiarlo. Lávalo con agua tibia jabonosa, enjuaga con agua limpia y seca completamente.
- El rodillo y la parte inferior del horno microondas deben limpiarse asiduamente para que el plato de cristal giratorio pueda girar bien y no haga un ruido excesivo. Limpia la base del microondas con un paño suave y húmedo. Lava el rodillo con agua tibia jabonosa, enjuaga con agua limpia y seca completamente. Cuando saques el rodillo de la parte inferior de la cavidad para limpiarlo, asegúrate de volver a colocarlo en la posición correcta.
- Para eliminar olores fuertes del microondas, mezcla una taza de agua con el zumo de un limón en un bol apto para microondas y ponlo a calentar al 100 % durante 5 minutos. Limpia bien la cavidad del horno microondas y sécala con un paño suave y seco.
- Cuando sea necesario cambiar la luz del horno, consúltalo con tu centro de servicio de Sage para que la cambien.
- No deseches este aparato en tu basura doméstica; debes llevarlo a un centro de residuos apropiado proporcionado por las autoridades locales.
- Si vas a guardar el horno microondas, pulsa el botón PARAR/CANCELAR y desenchúfalo. Asegúrate de que el horno microondas esté completamente frío, limpio y seco. Asegura el rodillo y el plato de cristal giratorio, y cierra la puerta. No coloques objetos pesados encima. Guarda el horno microondas en posición horizontal.

ANTES DE LLAMAR AL SERVICIO TÉCNICO

- Asegúrate de que el horno esté enchufado correctamente. Si no es así, desenchúfalo, espera 10 segundos y vuelve a enchufarlo bien.
- Comprueba si hay un fusible del circuito fundido o un interruptor principal bajado. Si estos funcionan bien aparentemente, prueba la toma de corriente con otro aparato.
- Comprueba que el panel de control esté correctamente programado y el temporizador configurado.
- Comprueba que la puerta esté bien cerrada con el sistema de bloqueo de seguridad. De lo contrario, el sistema de bloqueo de seguridad de la puerta evitará que el microondas se encienda.



NOTA

Si nada de lo anterior rectifica la situación, contacta con el centro de servicio de Sage. No intentes ajustar o reparar el horno tu mismo.



Resolución de problemas

PROBLEMA

SOLUCIÓN FÁCIL

El horno microondas interfiere con la radio, televisor o equipo similar.

- Limpia la puerta y la superficie de sellado del horno.
- Reorienta la antena receptora de tu radio o televisor.
- Reubica el horno microondas con respecto al receptor.
- Aleja el horno microondas del receptor.
- Enchufa el horno microondas en una toma de corriente diferente para que tanto este como el receptor estén en circuitos derivados distintos.

Luz tenue en el horno microondas

- Cuando se opera el horno microondas en niveles de potencia bajos, es posible que la luz sea más tenue.

Se acumula vapor en la puerta y sale aire caliente de los conductos de ventilación.

- Es posible que se genere vapor durante el funcionamiento. La mayoría saldrá por los conductos de ventilación; sin embargo, es posible que se acumule algo alrededor de la puerta del horno.

POSIBLE PROBLEMA

POSIBLE MOTIVO

SOLUCIÓN FÁCIL

El horno no se enciende.

- El cable de alimentación no está bien enchufado.
- Fusible quemado o problema con el interruptor automático.
- Problemas con el enchufe.
- Desenchúfalo, vuelve a enchufarlo y enciéndelo.
- Reemplaza el fusible o reinicia el interruptor.
- Pide a un profesional que compruebe que el enchufe no está defectuoso.

El horno microondas no calienta.

- La puerta no está bien cerrada.
- Asegúrate de que la puerta esté bien cerrada.

El plato giratorio de cristal hace ruido cuando está en funcionamiento.

- El rodillo no está bien colocado o necesita ser limpiado.
- Vuelve a colocarlo y límpialo si es necesario.



Garantía

GARANTÍA LIMITADA DE 2 AÑOS

La garantía de Sage Appliances cubre este producto para uso doméstico en territorios específicos durante 2 años a partir de la fecha de compra contra fallos causados por mano de obra y materiales defectuosos. Durante el plazo de la garantía, Sage Appliances reparará, sustituirá o reembolsará productos defectuosos (a entera discreción de Sage Appliances).

Todos los derechos de garantía en virtud de la legislación nacional vigente serán respetados y no se verán afectados por nuestra garantía. Para consultar los términos y condiciones completos de la garantía, así como instrucciones sobre cómo hacer una reclamación, visite www.sageappliances.com.



Notas

the Compact Wave™ Soft Close

SMO650 EU



PT MANUAL RÁPIDO

Sage®



Índice

- 2 A Sage recomenda a segurança como máxima prioridade
- 15 Componentes
- 16 Montagem
- 18 Funções
- 20 Funções de cozedura
- 22 Sugestões e truques
- 24 Cuidados e limpeza
- 26 Resolução de problemas
- 27 Garantia

A SAGE RECOMENDA A SEGURANÇA COMO MÁXIMA PRIORIDADE

Na Sage, temos a máxima preocupação com a segurança. Concebemos e produzimos produtos para o consumidor principalmente com a sua segurança, o nosso prezado cliente, em mente. Além disso, pedimos que tenha cuidado quando utilizar qualquer aparelho elétrico e que cumpra as precauções seguintes.

CUIDADOS IMPORTANTES



AVISO

Para reduzir o risco de queimaduras, choque elétrico, incêndio, lesões ou exposição excessiva à radiação micro-ondas:

LEIA TODAS AS INSTRUÇÕES ANTES DE UTILIZAR E GUARDE-AS PARA CONSULTA FUTURA

Está disponível uma versão transferível deste documento em sageappliances.com

- Antes de utilizar pela primeira vez, certifique-se de que a sua fonte de alimentação corresponde à indicada na etiqueta de classificação na parte inferior do aparelho.
- Não remova a proteção guia-ondas colocada no painel direito no interior do micro-ondas. Esta proteção não faz parte da embalagem e deve permanecer no interior do micro-ondas para garantir uma utilização

- segura. Consulte os componentes do SMO650 na página 15.
- Remova e elimine em segurança qualquer material de embalagem e etiquetas promocionais antes de utilizar o micro-ondas Sage pela primeira vez.
 - Leia e siga as "PRECAUÇÕES PARA PREVENIR UMA POSSÍVEL EXPOSIÇÃO EXCESSIVA À RADIAÇÃO MICRO-ONDAS" na página 11.
 - O aparelho deve ser ligado à terra. Ligue apenas a uma tomada elétrica com a devida ligação à terra. Leia as "INSTRUÇÕES DE LIGAÇÃO À TERRA" na página 13.
 - Apenas instale e coloque este aparelho num local que esteja em conformidade com as instruções de instalação fornecidas na página 16.
 - Alguns produtos como ovos e recipientes selados, por exemplo, frascos de vidro fechados, podem explodir e não devem ser aquecidos neste forno.
 - Utilize este aparelho apenas para a função a que se destina como descrito no manual. Não utilize produtos químicos ou vapores corrosivos neste aparelho. Este tipo de forno foi concebido especificamente para cozinhar ou aquecer comida. Não foi concebido para uso industrial ou em laboratório.
 - Como qualquer aparelho, é necessária uma supervisão atenta quando utilizado por crianças.
 - O aparelho pode ser utilizado por crianças com mais de 8 anos de idade e pessoas com capacidades físicas, sensoriais ou mentais reduzidas ou com falta de experiência e conhecimento, mas apenas se tiverem recebido supervisão ou instruções relativas ao uso seguro do aparelho e compreenderem os perigos envolvidos. As crianças não devem brincar com o aparelho. As tarefas de limpeza do aparelho e de manutenção

realizadas pelo utilizador não devem ser executadas por crianças sem supervisão.

- Este aparelho não se destina a ser utilizado por pessoas (incluindo crianças) com capacidades físicas, sensoriais ou mentais reduzidas ou com falta de experiência e conhecimento, a não ser que tenham recebido supervisão ou instruções relativas ao uso seguro do aparelho por uma pessoa responsável pela sua segurança.
- As crianças devem ser supervisionadas para assegurar que não brincam com o aparelho.
- Não utilize o aparelho se o cabo ou a ficha estiverem danificados, quando não estiver a funcionar devidamente, quando tenha sido danificado ou tenha caído.
- A manutenção do aparelho apenas deve ser efetuada por pessoal qualificado.
- Contacte o centro de reparação mais próximo

para verificação, reparação ou ajuste.

- Não cubra ou bloqueie qualquer abertura no aparelho.
- Não coloque o aparelho no exterior.
- Não utilize este produto perto de água, por exemplo, perto do lava-loiça, numa cave húmida, ou perto de uma piscina e áreas similares.
- Nunca coloque o cabo de alimentação, a ficha ou o aparelho dentro de água ou qualquer outro líquido.
- Mantenha o cabo afastado de superfícies quentes.
- Não deixe o cabo pendurado sobre a extremidade de uma mesa ou bancada, em contacto com superfícies quentes nem permita que o cabo se enrosque.
- Ao limpar superfícies da porta que tenham contacto com o forno quando se fecha, utilize apenas detergentes suaves e não abrasivos, ou detergentes aplicados com uma esponja ou um pano

macio. O uso de químicos corrosivos na limpeza irá danificar o aparelho e pode resultar em fugas de radiação.

- Para reduzir o risco de incêndio no interior do forno:
- Não cozinhe excessivamente a comida. Supervisione o aparelho quando colocar papel, plástico ou outros materiais combustíveis dentro do forno para facilitar a cozedura.
- Remova abraçadeiras metálicas de sacos de papel ou plástico antes de colocar o saco no forno.
- Na eventualidade de que os materiais dentro do forno se incendeiem, mantenha a porta do forno fechada, desligue o forno e desligue o cabo de alimentação, ou desligue a alimentação no fusível ou no disjuntor.
- Não use o seu interior para fins de armazenamento. Não deixe produtos de papel, utensílios de cozinha ou comida no seu interior quando não estiver a ser utilizado.
- Para eliminar o risco de asfixia para as crianças, remova e elimine em segurança a cobertura de proteção instalada na ficha de alimentação do micro-ondas Sage.
- Não coloque o micro-ondas perto da extremidade de uma bancada ou mesa durante o funcionamento. Certifique-se de que a superfície está estável, limpa e livre de água ou quaisquer outras substâncias.
- Não coloque o forno micro-ondas sobre ou perto de um bico a gás ou elétrico ou num local onde possa tocar num forno quente.
- Certifique-se de que o micro-ondas é instalado e utilizado num local com espaço adequado por cima e à volta da unidade como recomendado na secção de instalação na página 16.
- Não encastre, coloque o micro-ondas num armário, ou num espaço fechado pois irá causar

- o sobreaquecimento.
(Consulte a secção de instalação na página 16)
- Opere sempre o forno micro-ondas sobre uma superfície estável e resistente ao calor. Não utilize sobre uma superfície coberta com um pano, próxima de cortinas ou outros materiais inflamáveis.
 - Não utilize o forno micro-ondas sobre uma superfície metálica.
 - Antes de ligar à tomada elétrica e utilizar, certifique-se sempre de que o forno micro-ondas foi montado corretamente. Não use o forno sem que o suporte da placa giratória e o prato giratório estejam no seu devido lugar. Certifique-se de que o prato giratório está posicionado corretamente na engrenagem do suporte da placa giratória.
 - O forno micro-ondas não se destina a ser utilizado através de um temporizador externo ou sistema de controlo remoto separado.
 - Nunca utilize o forno micro-ondas sem que comida ou água estejam no seu interior. A utilização do forno micro-ondas quando vazio pode danificar o aparelho.
 - Não deixe o forno micro-ondas sem supervisão durante a utilização.
 - Não toque nas superfícies quentes.
 - Deixe que o forno micro-ondas arrefeça antes de mover ou limpar quaisquer partes.
 - Certifique-se sempre de que o cabo de alimentação do forno micro-ondas foi retirado da tomada elétrica antes de tentar mover o aparelho, quando não estiver a ser usado, sem supervisão, e antes de desmontar, limpar e guardar.
 - Desligue sempre o forno micro-ondas, premindo o botão PARAR/LIMPAR e desligue a ficha da tomada de alimentação quando não estiver em utilização.
 - Antes de limpar, prima sempre o botão PARAR/

LIMPAR e retire a ficha da tomada elétrica.

- Líquidos, como água, café ou chá podem ser aquecidos a uma temperatura superior ao seu ponto de ebulição sem que borbulhem ou existam sinais de fervura. **ISTO PODE PROVOCAR QUE LÍQUIDOS MUITO QUENTES TRANSBORDEM DE REPENTE QUANDO O RECIPIENTE OU A SUPERFÍCIE LÍQUIDA FOR AGITADA OU QUANDO UMA COLHER OU UTENSÍLIO FOR COLOCADO DENTRO DO LÍQUIDO.**

 **AVISO**

Se a porta ou as juntas de vedação estiverem danificadas, o forno não pode ser utilizado até que tenha sido reparado por uma pessoa habilitada.

 **AVISO**

É perigoso que uma pessoa não qualificada realize qualquer tipo de manutenção ou reparação que envolva a remoção da cobertura que protege da exposição à radiação micro-ondas.

 **AVISO**

Não deve aquecer líquidos ou outros alimentos em recipientes selados porque podem explodir.

DIRETRIZES DE SEGURANÇA IMPORTANTES PARA TODOS OS APARELHOS ELÉTRICOS

- Desenrole completamente o cabo de alimentação antes de utilizar.
- Recomendamos a inspeção regular do aparelho. Para evitar riscos, não use o aparelho se o cabo de alimentação, a ficha ou o próprio aparelho estiverem danificados de qualquer maneira. Pare imediatamente de utilizar e contacte o suporte ao cliente da Sage para verificação, reparação ou ajuste.
- Se for necessária qualquer tarefa de manutenção que não a de limpeza contacte o serviço de suporte ao cliente da Sage.
- Este aparelho destina-se apenas a uso doméstico. Não utilize este aparelho

para uma função diferente da utilização a que se destina. Não utilize em veículos em movimento ou barcos. Não utilize no exterior. A utilização incorreta pode causar ferimentos.

- É necessária uma rede de energia elétrica que possua um fusível ou disjuntor com 230-240 volts, 50 Hz, só CA, 15-20 Amp em conformidade com a legislação e regras federais, estaduais e locais.
- Recomendamos também um circuito separado dedicado apenas a este forno micro-ondas.
- É fornecido um cabo de alimentação curto para reduzir os riscos resultantes de enroscar-se ou tropeçar num cabo mais longo.
- Recomendamos a instalação de um dispositivo de corrente residual (comutador de segurança) para fornecer segurança adicional ao utilizar todos os aparelhos elétricos. É aconselhável

a instalação de um comutador de segurança com uma corrente operacional residual nominal não superior a 30 mA no circuito elétrico que abastece o aparelho. Consulte um electricista para obter aconselhamento profissional.

- O aparelho deve ser utilizado com uma tomada com ligação à terra. Se não tiver a certeza se as tomadas têm uma ligação à terra adequada, consulte o seu electricista.
- Nunca modifique a ficha de alimentação nem utilize um adaptador em nenhuma circunstância.

INSTRUÇÕES ESPECIAIS DE SEGURANÇA PARA O SEU FORNO MICRO- ONDAS

- Limpe o interior do forno com um pano macio humedecido após cada utilização. Deixar resíduos de alimentos ou gorduras no interior do forno pode causar um sobreaquecimento

do interior do forno micro-ondas e este pode começar a fumegar ou incendiar-se.

- Deixe arrefecer o prato rotativo de vidro até à temperatura ambiente antes de lavar ou colocar em água fria.
- O forno micro-ondas deve ser limpo regularmente e qualquer derramamento de comida no seu interior deve ser removido. Se não mantiver o micro-ondas num bom estado de limpeza, pode levar à deterioração da superfície, afetar negativamente a vida útil do forno micro-ondas e possivelmente resultar numa situação perigosa.
- Não utilize um instrumento de limpeza a vapor para limpar o forno micro-ondas.
- O forno micro-ondas foi concebido para aquecer comida e bebidas. Secar roupa, alimentos, aquecer almofadas, esponjas, chinelos, panos húmidos ou similar pode causar o risco de lesão, ignição ou incêndio.

- Certifique-se de que todos os recipientes e/ou pratos são adequados para utilizar num forno micro-ondas. Isso deve ser feito antes da preparação dos alimentos para cozinhar ou aquecer no forno micro-ondas.
- Todos os recipientes adequados para alimentos em vidro ou plástico devem ser usados em estrita conformidade com as recomendações dos seus fabricantes.
- Os recipientes ou pratos adequados para utilizar no forno micro-ondas não devem exceder a largura do prato giratório porque podem impedir a rotação do prato e resultar em comida que não cozinhou de maneira uniforme ou que se pode queimar e incendiar-se.
- A comida e/ou líquidos não devem ser aquecidos diretamente no prato giratório. A comida e/ou líquidos devem ser colocados num recipiente adequado para micro-ondas antes de os colocar no prato giratório.
- A comida e/ou líquidos não devem ser aquecidos ou cozinhados em recipientes ou sacos de plástico e papel, a não ser que o fabricante indique que são adequados para esse fim, porque existe a possibilidade dos recipientes explodirem ou incendiarem-se.
- Não use papel reciclado ou toalhas de papel quando estiver a cozinhar. O papel reciclado pode conter pequenas peças metálicas ou outras impurezas que podem provocar faíscas e/ou incêndios.
- Não use recipientes ou utensílios de metal no forno micro-ondas porque podem provocar faíscas ou incêndios.
- Não deve usar papel de alumínio no forno micro-ondas porque pode provocar faíscas ou incêndios.
- Certifique-se de que as rolhas e as tampas que tapam os recipientes são removidas antes de colocar comida e/ou líquidos no forno micro-ondas.

- Deve retirar as tampas dos biberões e dos bociões de comida de bebé antes de os aquecer no forno micro-ondas. Para evitar queimaduras depois de aquecer, deve mexer ou agitar o conteúdo, e verificar a temperatura antes de servir.
- Certifique-se sempre de que verifica a temperatura da comida ou bebida aquecida ou cozinhada no forno micro-ondas antes de comer, beber ou servir.

PRECAUÇÕES PARA PREVENIR UMA POSSÍVEL EXPOSIÇÃO EXCESSIVA À RADIAÇÃO MICRO- ONDAS

- Não tente utilizar este forno com a porta aberta porque a utilização com a porta aberta pode resultar em exposição nociva à radiação micro-ondas. É importante que não neutralize ou inutilize os interbloqueios de segurança.
- Não coloque qualquer objeto entre a porta e

a face frontal do forno ou deixe que sujidade ou resíduos de limpeza se acumulem na superfície de vedação.

- Se a porta ou as juntas de vedação estiverem danificadas, não utilize o forno. Pare imediatamente de utilizar e contacte o suporte ao cliente da Sage para verificação, reparação ou ajuste. É particularmente importante que a porta do forno esteja bem fechada e que não exista qualquer tipo de dano: (1) Porta (dobrada), (2) Dobradiças (partidas ou soltas), (3) Juntas de vedação e superfícies de vedação.
- Não coloque nenhum corpo estranho entre o batente e a porta do forno micro-ondas.
- O forno apenas deve ser ajustado ou reparado por pessoal qualificado.

LÍQUIDOS SOBREAQUECIDOS

- Para reduzir o risco de lesões:
- Não sobreaqueça o líquido.

- Mexa o líquido antes e no meio do processo de aquecimento.
- Se aquecer bebidas no micro-ondas, podem ferver e transbordar. Tenha sempre o máximo cuidado ao manusear bebidas.
- Não use recipientes retos com gargalos estreitos.
- Depois de aquecer, deixe o recipiente algum tempo no forno micro-ondas antes de o remover.
- Deve ter o máximo cuidado ao inserir uma colher ou qualquer outro utensílio no recipiente.
- Não faça pipocas no forno micro-ondas exceto se estiverem embaladas para usar no micro-ondas. Ao fazer pipocas, pode haver vários grãos que não estalam e que podem ficar excessivamente cozinhados e queimar. Não use óleo exceto se recomendado pelo fabricante. Não cozinhe as pipocas durante mais tempo do que indicado nas instruções do fabricante (o tempo de cozedura não deve exceder os 3 minutos). Um tempo de cozedura maior pode causar queimaduras ou incêndio.
- Não cozinhe qualquer tipo de alimento envolto numa membrana (como batatas, fígado de galinha, gemas de ovo, ostras, etc.) sem perfurar primeiro a membrana várias vezes para permitir a libertação do vapor.
- Ovos com casca e ovos cozidos não devem ser aquecidos ou cozinhados no forno micro-ondas porque podem explodir durante a cozedura, no fim da cozedura ou depois de os retirar do forno micro-ondas.
- Não aqueça óleo ou gordura no forno micro-ondas. Caso contrário, pode provocar o sobreaquecimento e/ou incêndio do forno micro-ondas e/ou do óleo.
- Se observar fumo, desligue o forno micro-ondas e retire a ficha da tomada. Mantenha a porta fechada para abafar as chamas.

- Não tente utilizar o forno micro-ondas por outro método para além do descrito neste manual de instruções.
- Deve certificar-se de que os utensílios são adequados para utilizar no forno micro-ondas.
- Não desligue ou manipule o cabo de alimentação ou a tomada enquanto a unidade estiver em funcionamento.
- Enrole ligeiramente o cabo quando armazenar o forno micro-ondas. Não enrole o cabo à volta do forno micro-ondas.
- Quando aquecer comida em recipientes de plástico ou papel, vigie o forno micro-ondas devido à possibilidade de ignição.
- A janela de vidro tem um tratamento especial que a torna mais resistente, durável e segura do que vidro normal, porém não é inquebrável. Se cair ou for golpeada com força, pode partir ou ficar enfraquecida, e pode posteriormente partir-se em inúmeros pequenos pedaços sem causa aparente.
- Se observar faíscas, centelhas ou clarões dentro do forno micro-ondas, prima o botão PARAR/LIMPAR e resolva o problema ou contacte o serviço de atendimento ao cliente da Sage para obter assistência.

INSTRUÇÕES DE LIGAÇÃO À TERRA

AVISO

Uma ligação à terra inadequada pode resultar num risco de choque elétrico.

- Este aparelho está equipado com um cabo de alimentação que tem um fio de ligação à terra com uma ficha de aterramento. O aparelho deve ser devidamente ligado à terra através do uso de uma tomada elétrica com 3 orifícios e a devida ligação à terra. Na eventualidade de um curto-circuito elétrico, a ligação à terra reduz o risco de choque elétrico.
- Não corte ou retire, em circunstância alguma, o contacto de ligação à terra da ficha nem utilize um adaptador.

- Consulte um electricista qualificado se não compreender as instruções de ligação à terra ou se tiver dúvidas se o aparelho está devidamente ligado à terra.
- Não utilize um cabo de extensão. Se o cabo de alimentação for demasiado curto, peça a um electricista ou técnico qualificado que instale uma tomada perto do aparelho.



CUIDADO

As alterações ou modificações ao produto que não tenham sido expressamente aprovadas pelo responsável pela conformidade podem anular o direito do utilizador de utilizar o equipamento.

ESPECIFICAÇÕES

Consumo de energia	230–240V ~ 50Hz 1250 W
Saída	800 W – 2450 MHz
Dimensões externas	29,2 cm/292 mm (A) 48,5 cm/485 mm (L) 41,7 cm/417 mm (P) com pega 38,7 cm/387 mm (P) sem pega
Diâmetro do prato de vidro giratório	27 cm (270 mm)
Peso líquido	Aprox. 12,85 kg
Capacidade do forno	25 litros

Estas especificações podem mudar sem aviso prévio.

APENAS PARA USO DOMÉSTICO GUARDE ESTAS INSTRUÇÕES



Componentes



- A. Janela de visualização
- B. Pega da porta: Puxe a pega para abrir.
- C. Ecrã LED
- D. Botão de NÍVEL DE POTÊNCIA:
A potência predefinida é P100 (100%).
Quando prime o botão de POTÊNCIA novamente, o NÍVEL DE POTÊNCIA diminui de P100 (100%) para P10 (10%), em incrementos de 10%.
- E. Função DESCONGELAR e AQUECER
- F. Função PIPOCAS
- G. Função MENU DE ALIMENTOS
- H. Função BEBIDAS
- I. Botão TEMPO
- J. Botão Silêncio
- K. Botão INICIAR/+30 INÍCIO INSTANTÂNEO. Cada vez que premir o botão, adiciona incrementos de 30 segundos com 100% da potência.
- L. Botão PARAR/LIMPAR/BLOQUEIO INFANTIL. Mantenha premido o botão PARAR/LIMPAR durante 3 segundos para ativar o bloqueio infantil.
- M. Botão AJUSTAR RELÓGIO
- N. Proteção guia-ondas
Não remova para garantir um funcionamento seguro.

CE Informação de classificação
230–240V ~ 50Hz 1250 W



Montagem

ANTES DA PRIMEIRA UTILIZAÇÃO

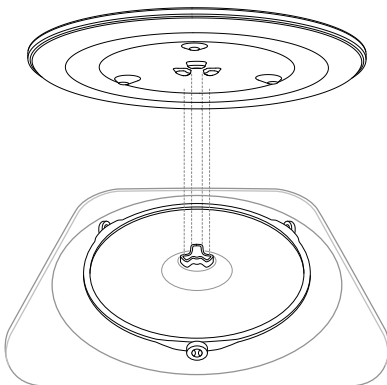
Antes da primeira utilização, remova todos os autocolantes promocionais e material de embalagem. Desembale cuidadosamente o forno micro-ondas e guarde todo o material de embalagem até localizar todas as peças do forno micro-ondas e montar o aparelho. É recomendável manter todo o material da embalagem num local seguro, caso deseje embalar novamente o produto para envio.

Para remover o pó acumulado durante o embalamento, lave o suporte da placa giratória e o prato de vidro giratório em água morna com sabão, enxague com água limpa e seque. Limpe o interior e exterior do forno micro-ondas com um pano suave e húmido e, em seguida, seque cuidadosamente.

MONTAR O PRATO DE VIDRO GIRATÓRIO

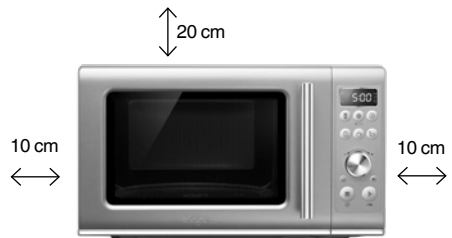
Coloque o suporte da placa giratória na devida posição na reentrância da base do interior do forno.

Coloque o prato de vidro giratório sobre o suporte da placa giratória, encaixando na engrenagem do suporte da placa giratória na zona central.



INSTALAÇÃO E ROTAÇÃO NO FORNO MICRO-ONDAS

- Este forno micro-ondas deve ser usado como uma unidade independente.
- Selecione uma superfície nivelada com espaço suficiente para as aberturas de entrada e/ou saída.
- É necessária uma distância mínima de 10 cm (4 polegadas) entre o micro-ondas e as paredes adjacentes.
- Deixe uma distância mínima de 20 cm (8 polegadas) acima do micro-ondas.
- Não remova as pernas da parte inferior do micro-ondas.
- Bloquear as aberturas de entrada e/ou saída pode danificar o micro-ondas.
- Coloque o micro-ondas o mais longe possível de rádios e TV.
- A utilização do micro-ondas pode causar interferência à recepção do seu rádio ou TV.
- Ligue o micro-ondas a uma tomada normal. Certifique-se de que a voltagem e a frequência correspondem às indicadas na etiqueta de classificação.
- O micro-ondas não pode ser colocado num armário.



**AVISO**

- Para evitar a sobrecarga do circuito elétrico, recomenda-se que não ligue qualquer outro aparelho no mesmo circuito do seu forno micro-ondas (ou outros aparelhos) quando está a ser utilizado.
- Não instale o forno em cima de um fogão ou outro aparelho que emita calor. Se instalar perto ou sobre uma fonte de calor, pode danificar o forno e anular a garantia.
- Verifique se existem quaisquer sinais de danos no forno, como uma porta desalinhada ou dobrada, juntas de vedação ou superfície de vedação danificadas, dobradiças soltas ou partidas e mossas dentro do forno ou na porta. Se houver algum dano, não utilize o forno e contacte o centro de assistência da Sage.
- Não coloque o forno micro-ondas, cabo de alimentação ou ficha dentro de água ou qualquer outro líquido.



Funções

AJUSTAR O RELÓGIO – ECRÃ COM RELÓGIO DE 24 HORAS

Prima AJUSTAR O RELÓGIO no painel da interface. O micro-ondas emite um sinal sonoro.

A hora predefinida é 06:00. Os dígitos em destaque piscam para indicar que podem ser ajustados.

Rode o botão TEMPO para ajustar as horas e prima INICIAR ou AJUSTAR RELÓGIO para confirmar. O micro-ondas emite um sinal sonoro.

Os minutos piscam para indicar que podem ser ajustados. Rode o botão TEMPO para ajustar os minutos e prima INICIAR ou AJUSTAR RELÓGIO para confirmar. Quando guardar a nova hora, o ecrã do relógio pisca duas vezes e o micro-ondas emite um sinal sonoro.

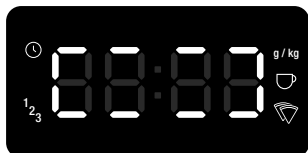


NOTA

Se não premir o botão INICIAR para confirmar as horas ou os minutos, o micro-ondas confirma a seleção após 1 minuto.

DEFINIR BLOQUEIO INFANTIL

Mantenha premido o botão PARAR/LIMPAR ⊗ durante 3 segundos. O ecrã de BLOQUEIO INFANTIL pisca três vezes e o micro-ondas emite um sinal sonoro.



Para desativar o BLOQUEIO INFANTIL, mantenha premido o botão PARAR/LIMPAR durante 3 segundos. É apresentada a hora e o acesso a todas as funções do micro-ondas é desbloqueado.

EM ESPERA

Quando o micro-ondas estiver inativo durante mais de um minuto, o modo EM ESPERA ativa-se e o relógio é apresentado.

Se não acertar o relógio, o ecrã apresenta 00:00



Se acertou o relógio, a hora é apresentada no ecrã.

AJUSTE DO NÍVEL DE POTÊNCIA E TEMPO

O tempo máximo de cozedura do micro-ondas é 95 minutos (95:00).

Estão disponíveis 10 níveis de potência.

Ajustar o tempo

Rode o botão TEMPO na direção dos ponteiros do relógio para definir o tempo que pretende e, em seguida, prima Iniciar. O tempo predefinido é 30 segundos.

Ajustar o nível de potência

Prima o botão de POTÊNCIA na interface. A potência predefinida é P100 (100%).

Quando prime o botão de POTÊNCIA novamente, o NÍVEL DE POTÊNCIA diminui de P100 (100%) para P10 (10%), em incrementos de 10%.

AJUSTE DINÂMICO DO NÍVEL DE POTÊNCIA

As definições do menu de alimentos têm tempos de cozedura e de potência predefinidos para produzir os melhores resultados. Contudo, tanto o tempo como a potência podem ser alterados de acordo com a sua preferência durante o ciclo de cozedura ao usar o modo manual.

Quando usar a função descongelar, aquecer, pipocas, bebidas ou menu de alimentos, apenas o tempo pode ser ajustado dinamicamente.

Ao premir o botão POTÊNCIA, pode aumentar ou diminuir o nível de potência em qualquer momento durante o ciclo de cozedura.



NOTA

Ajustar o nível de potência durante o aquecimento não afeta o tempo.

Pode também ajustar o tempo durante o ciclo de cozedura. Pode aumentar ou diminuir o valor do tempo rodando o botão do TEMPO. Ao premir o botão INICIAR, o valor do tempo aumenta em 30 segundos.

+30s +30 SEG INÍCIO INSTANTÂNEO

Prima o botão INICIAR/+30 Instantâneo para começar a cozinhar imediatamente durante 30 segundos com a potência do micro-ondas a 100%. Cada vez que premir o botão, aumentará o tempo de cozedura em 30 segundos.

QUANDO A COZEDURA TERMINAR

No final de cada ciclo de cozedura, o micro-ondas emite um sinal sonoro três vezes e a palavra End (Fim) pisca no ecrã.

A palavra End (Fim) pisca no ecrã durante 5 minutos ou até abrir a porta.



⊗ PARAR/LIMPAR

Prima PARAR/LIMPAR uma vez durante o ciclo de cozedura para parar a cozedura, prima outra vez para cancelar a cozedura e voltar ao menu principal.

🔊 SILÊNCIO

Este programa permite desativar o som do micro-ondas durante o funcionamento.

Para desativar o som do micro-ondas, selecione o botão SILÊNCIO na interface. Quando o programa SILÊNCIO é selecionado, o aparelho não emite nenhum sinal sonoro e o ecrã apresenta OFF (Desligado).



Para ativar o som, prima o botão SILÊNCIO novamente.



Funções de cozedura



Pipocas

A função PIPOCAS foi concebida para cozinhar o maior número de grãos de milho em cada pacote.

Para selecionar esta função, prima o botão PIPOCAS. Coloque o pacote no centro do prato giratório.

Rode o botão TEMPO para selecionar o peso, ou prima o botão PIPOCAS novamente, e prima o botão INICIAR para começar a cozinhar.

As opções de peso são 25 g, 85 g e 100 g.



Bebidas

A definição BEBIDAS é adequada para aquecer bebidas quentes como café e chá que poderão ter arrefecido. A função BEBIDAS aquece a sua bebida até aos 60-65 °C, uma temperatura adequada para beber imediatamente.

Para selecionar esta função, prima o botão BEBIDAS. Coloque a chávena no centro do prato giratório.

Rode o botão TEMPO para selecionar o número de chávenas e prima INICIAR para começar a cozinhar. Pode selecionar o número de bebidas de 1 chávena (240 ml) até 4 copos (960 ml).

No final do ciclo de aquecimento, mexa as bebidas quentes e deixe repousar durante 1-2 minutos antes de beber. Tenha em atenção que pode esquentar ou queimar as bebidas se aquecer demasiado.



MENU DE ALIMENTOS

A definição Menu de alimentos foi criada para cozinhar automaticamente com a potência e o tempo certos.

Dependendo do alimento selecionado, o indicador no ecrã do micro-ondas muda. Estes indicadores indicam a quantidade ou os volumes que podem ser ajustados para cada função.



Batatas

A definição BATATAS foi criada para cozinhar na perfeição batatas inteiras no micro-ondas.

Antes de cozinhar, perfure cada batata com um garfo 5 ou 6 vezes. Disponha as batatas inteiras numa única camada na superfície do prato giratório.

Para selecionar esta definição, prima o botão MENU DE ALIMENTOS uma vez. A definição BATATAS corresponde ao código F-1.

Quando a definição BATATAS é selecionada, é apresentado o ecrã abaixo:

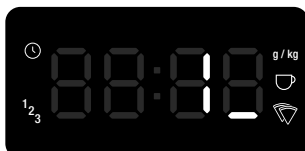


Rode o botão TEMPO para selecionar o número de batatas e prima INICIAR para começar a cozinhar. Pode selecionar de 1 (285 g) a 3 (850 g) de batatas.

Pizza

A definição PIZZA foi especialmente criada para aquecer fatias de pizza.

Para seleccionar esta definição, prima o botão MENU DE ALIMENTOS para seleccionar. A definição PIZZA corresponde ao código F-2. Quando a definição PIZZA é seleccionada, é apresentado o ecrã abaixo:



Rode o botão TEMPO para seleccionar o número de fatias e prima INICIAR para começar a cozinhar. Pode seleccionar de 1 a 4 fatias de pizza.

Vegetais congelados

A definição VEGETAIS CONGELADOS é adequada para vegetais congelados, como cenouras, brócolos, couve-flor e ervilhas. Os tempos de cozedura são indicados para vegetais retirados do congelador (aprox. 0 °F/-18 °C).

Para seleccionar esta definição, prima o botão MENU DE ALIMENTOS três vezes.

A definição VEGETAIS CONGELADOS corresponde ao código F-3. Quando a definição VEGETAIS CONGELADOS é seleccionada, é apresentado o ecrã abaixo:



Rode o botão TEMPO para seleccionar o peso e prima INICIAR para começar a cozinhar. Pode seleccionar entre 125 g, 250 g, 375 g e 500 g.

Cubra com uma tampa plástica ventilada para micro-ondas ou uma película plástica ventilada para micro-ondas. Não é necessário adicionar água.

Após terminar de cozinhar, deixe os legumes repousar durante 5 minutos antes de servir.

DESCONGELAR

A definição DESCONGELAR foi criada para descongelar suavemente os alimentos sem sobreaquecer e secar as extremidades.

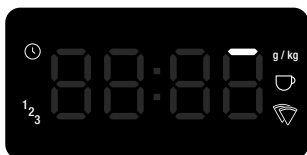
Após terminar o ciclo de descongelação, a maioria dos alimentos mantém o centro gelado quando são retirados do micro-ondas. Deixe repousar os alimentos durante 5-15 minutos até derreterem completamente.

Para seleccionar esta definição, prima o botão DESCONGELAR na interface principal.

A definição permite descongelar por peso ou tempo.

Descongelar por peso

Para descongelar por peso, prima o botão DESCONGELAR. Quando a definição Descongelar por peso é selecionada, é apresentado o ecrã abaixo:

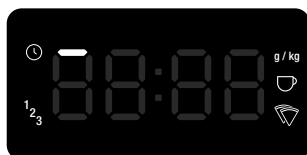


Rode o botão TEMPO para seleccionar o peso pretendido. O intervalo de peso é de 100 g a 1,5 kg. Prima INICIAR para começar.



Descongelar por tempo

Para descongelar por tempo, prima duas vezes no botão DESCONGELAR. Quando a definição Descongelar por tempo é selecionada, é apresentado o ecrã abaixo:



Rode o botão TEMPO para seleccionar o tempo pretendido e prima INICIAR para começar.

AQUECER

A definição AQUECER utiliza níveis de potência mais baixos para aquecer delicadamente os alimentos sem secar ou cozinhar excessivamente.

Para seleccionar esta definição, prima o botão AQUECER.

Rode o botão TEMPO para seleccionar o tempo pretendido e prima INICIAR para começar.



Sugestões e truques

ALGUNS TRUQUES IMPORTANTES PARA COZINHAR COM O MICRO-ONDAS

Para ajudar a uniformizar a potência nos alimentos para que cozinhem de forma homogénea, siga estes truques úteis.

- Disponha os alimentos com extremidades de tamanhos variados, como coxas de frango e brócolos, com a parte mais grossa ou mais dura virada para a parte externa do prato. Deste modo, garante que as peças que requerem mais tempo de cozedura recebam maior potência e que os alimentos cozinhem de forma homogénea.
- Para manter o calor e o vapor, e cozinhar mais rapidamente, cubra o prato durante a cozedura. Utilize uma tampa ou película plástica adequados para micro-ondas e permita a ventilação levantando uma extremidade da cobertura para libertar o excesso de vapor.
- Escolha pratos rasos e, preferencialmente, com lados retos. Os pratos rasos permitem que os alimentos cozinhem mais rápido e os lados retos impedem que as extremidades fiquem demasiado cozinhadas.
- Disponha itens individuais, como taças ou batatas inteiras, na parte exterior do prato giratório. Certifique-se de que deixa espaço suficiente entre os itens para que a energia micro-ondas possa penetrar de todos os lados.

- Use recipientes adequados para micro-ondas redondos. As formas redondas cozinham de forma mais uniforme do que as quadradas ou retangulares, cujos cantos absorvem a maior parte da radiação o que faz com que os alimentos cozinhem de mais e endureçam.
- Mexa os alimentos de fora para o centro do prato uma ou duas vezes durante a cozedura para equilibrar o nível de calor e acelerar a cozedura.
- Vire os alimentos de tamanho médio e grandes duas vezes durante a cozedura. Isto permite que a exposição às micro-ondas seja uniforme.
- Pode ser útil elevar alguns tipos de comida como bolos, vegetais assados e massas. Permite que mais energia penetre nos alimentos de todos os lados, na base e no topo. Utilize um plástico para micro-ondas ou um tabuleiro de cerâmica. Se não tiver uma grelha, utilize uma tigela ou chávena virada ao contrário para elevar os pratos de comida.
- Não eleve pratos especiais para dourar, jarras de molhos ou creme, pequenas quantidades de alimentos ou canecas de bebida.
- A temperatura interna dos alimentos continua a subir para que continuem a cozinhar mesmo após retirar do forno micro-ondas. É melhor cozinhar pouco os alimentos porque a cozedura continuará após retirar o prato do micro-ondas.

UTENSÍLIOS DO MICRO-ONDAS

- Os recipientes, bandejas, pratos, etc., utilizados no forno micro-ondas devem ser sempre adequados para micro-ondas. Verifique se está indicado na parte inferior do utensílio ou contacte o fabricante.
- Para testar se um recipiente, bandeja ou prato é adequado para micro-ondas, coloque-o no forno com 1 chávena de água fria (num copo adequado para micro-ondas) e aqueça durante 1 minuto com a potência a 100%. Se o recipiente estiver quente e a água estiver fria, o recipiente não é adequado para utilizar no forno micro-ondas. Se o recipiente estiver frio e a água estiver quente, o recipiente é adequado para utilizar no forno micro-ondas.
- Os utensílios de cozinha adequados para micro-ondas não aquecem com a energia de micro-ondas, mas aquecem devido ao contacto com a comida quente. Quando a comida aquece, algum calor é transferido para o prato. Utilize sempre luvas ou panos para remover os recipientes quentes do micro-ondas.
- Não deve utilizar recipientes ou utensílios metálicos no forno micro-ondas.



Cuidados e limpeza

- Retire a ficha da tomada elétrica antes de limpar.
- Mantenha limpo o interior do forno micro-ondas. Se salpicos de comida ou líquidos aderirem às paredes internas do micro-ondas, limpe com um pano húmido. Pode utilizar um detergente suave se o interior estiver muito sujo. Evite utilizar sprays e outros produtos de limpeza agressivos porque podem manchar, riscar ou descolorar a superfície da porta.
- A superfície exterior deve ser limpa com um pano húmido. Para evitar danos nas peças funcionais no interior do forno micro-ondas, não deve permitir a entrada de água nas aberturas de ventilação.
- Limpe com frequência a porta e a janela por ambos os lados da porta e partes adjacentes com um pano húmido para remover derramamentos ou salpicos. Não utilize um produto de limpeza abrasivo.
- Não permita que o painel de controlo se molhe. Limpe com um pano macio húmido. Quando limpar o painel de controlo, deixe a porta do forno micro-ondas aberta para evitar que o aparelho se ligue acidentalmente.
- Se ocorrer a acumulação de vapor no interior ou exterior da porta do forno, limpe com um pano suave e seco. A acumulação pode ocorrer quando cozinha alimentos com humidade elevada ou se o forno micro-ondas funcionar em condições de alta humidade e é uma situação normal.
- Ocasionalmente, será necessário retirar o prato de vidro giratório para limpar. Lave o prato de vidro giratório com água morna e sabão, enxague com água limpa e deixe secar.
- Deve limpar regularmente o suporte da placa giratória e a base do forno micro-ondas para garantir que o prato de vidro giratório roda corretamente e evitar ruídos excessivos. Basta limpar a superfície da base do micro-ondas com um pano suave e húmido. Pode lavar o suporte da placa giratória com água morna e sabão, enxaguar com água limpa e deixar secar. Quando retirar o suporte da placa giratória da base do micro-ondas para limpeza, certifique-se de que o coloca novamente na posição correta.
- Para remover os odores do forno micro-ondas, misture o sumo de um limão com um copo de água numa tigela funda e adequada para micro-ondas e ligue o forno na potência 100% durante 5 minutos. Limpe bem o interior do forno micro-ondas e seque com um pano macio.
- Quando for necessário substituir a luz do forno, consulte o seu Centro de Assistência Sage para substituí-la.
- Não elimine este aparelho juntamente com o lixo doméstico; deve ser depositado no centro de reciclagem indicado pelas autoridades locais.
- Se armazenar o forno micro-ondas, prima o botão PARAR/LIMPAR e desligue o cabo de alimentação. Certifique-se de que o forno micro-ondas está frio, limpo e seco. Fixe o anel do suporte da placa giratória e o prato de vidro e feche a porta. Não coloque objetos pesados em cima do aparelho. Guarde o forno micro-ondas na vertical.

ANTES DE CONTACTAR O SERVIÇO TÉCNICO

- Verifique se o forno está corretamente ligado. Caso contrário, retire a ficha da tomada elétrica, aguarde 10 segundos e ligue-a novamente.
- Verifique se existem fusíveis queimados ou se o disjuntor principal disparou. Se estiverem a funcionar corretamente, teste a tomada elétrica com outro aparelho.
- Verifique se o painel de controlo está programado corretamente e se o temporizador está definido.
- Verifique se a porta está bem fechada e trancada no sistema de bloqueio de segurança da porta. Caso contrário, o sistema de bloqueio de segurança da porta impede que o micro-ondas seja ligado.



NOTA

Se nenhuma das opções acima corrigir a situação, contacte o seu Centro de Assistência da Sage. Não tente ajustar ou reparar o forno por si mesmo.



Resolução de problemas

PROBLEMA	SOLUÇÃO FÁCIL
O forno micro-ondas interfere com o rádio, TV ou equipamento similar	<ul style="list-style-type: none">• Limpe a porta e a superfície de vedação do forno.• Reorienta a antena recetora de rádio ou televisão.• Reposicione o forno micro-ondas em relação ao recetor.• Afaste o forno micro-ondas do recetor.• Ligue o forno micro-ondas noutra tomada, de modo que o forno e o recetor estejam ligados em circuitos diferentes.
Luz ténue no forno micro-ondas	<ul style="list-style-type: none">• Quando funciona em níveis de potência baixos, a luz do forno micro-ondas pode ficar mais ténue.
O vapor acumula-se na porta e sai ar quente das aberturas de ventilação	<ul style="list-style-type: none">• O aparelho pode criar vapor durante o funcionamento. A maior parte do vapor sai pelas aberturas de ventilação; no entanto, algum vapor pode acumular-se próximo da porta do forno.

POSSÍVEL PROBLEMA	POSSÍVEL MOTIVO	SOLUÇÃO FÁCIL
O forno micro-ondas não liga	<ul style="list-style-type: none">• A ficha de alimentação não está corretamente ligada.• Fusível queimado ou problema no disjuntor.• Problemas com a tomada.	<ul style="list-style-type: none">• Desligue a ficha, ligue-a novamente e ligue o aparelho.• Substitua o fusível ou reponha o disjuntor.• Solicite a um profissional que verifique se a tomada funciona corretamente.
O forno micro-ondas não aquece	<ul style="list-style-type: none">• Porta não fechada corretamente.	<ul style="list-style-type: none">• Verifique se a porta está fechada corretamente.
O prato de vidro giratório faz ruído durante o funcionamento.	<ul style="list-style-type: none">• O suporte da placa giratória não está instalado corretamente ou requer limpeza.	<ul style="list-style-type: none">• Reajuste e limpe, se necessário.



Garantia

GARANTIA LIMITADA DE 2 ANOS

A Sage Appliances fornece uma garantia para este produto para uso doméstico nos territórios especificados de 2 anos a partir da data de compra contra avarias provocadas por defeitos na mão-de-obra e de materiais. Durante este período da garantia, a Sage Appliances irá reparar, substituir ou reembolsar qualquer produto defeituoso (sob o critério exclusivo da Sage Appliances).

Todos os direitos legais da garantia ao abrigo da legislação nacional aplicável serão respeitados e não serão afetados pela nossa garantia. Visite www.sageappliances.com para consultar os termos e condições completos da garantia, bem como as instruções sobre como efetuar uma reclamação.

GBR

BRG Appliances Limited
Unit 3.2, Power Road Studios,
114 Power Road, London, W4 5PY
Freephone (UK Landline): 0808 178 1650
Mobile Calls (National Rate): 0333 0142 970

IRE

Ireland
1800 932 369

ESP

Spain
9000 838 534

ITL

Italy
800 909 773

POR

Portugal
8000 180 243

DEU

AUT

Sage Appliances GmbH
Campus Fichtenhain 48, 47807 Krefeld,
Deutschland

Deutschland: 0800 505 3104
Österreich: 0800 80 2551

BEL

Belgium
0800 54 155

NO

Norway
80 024 976

NLD

Netherlands
0800 020 1741

SE

Sweden
0200 123 797

FRA

Sage Appliances France SAS
Siège social: 66 avenue des Champs
Élysées – 75008 Paris
879 449 866 RCS Paris
France: 0800 903 235

LUX

Luxembourg
0800 880 72

DK

Denmark
080 820 827

CHE

Switzerland
0800 009 933

FI

Finland
0800 412 143

Sage®

www.sageappliances.com

Registered in England & Wales No. 8223512
Registered in Germany No. HRB 81309 (AG Düsseldorf)
Registered in France No. 879 449 866 RCS

EN Due to continued product improvement, the products illustrated or photographed in this document may vary slightly from the actual product.

DEU Aufgrund unserer kontinuierlichen Produktverbesserungen kann die hier gezeigte Abbildung geringfügig vom tatsächlichen Produkt abweichen.

FRA En raison de leur amélioration continue, les produits représentés ou photographiés dans le présent document peuvent différer légèrement du produit réel.

ITL A causa del continuo miglioramento dei prodotti, il prodotto descritto o illustrato in questo documento può variare leggermente rispetto al prodotto reale.

NLD Vanwege voortdurende productverbeteringen, kunnen de afgebeelde producten in dit document licht afwijken van het eigenlijke product.

ESP Perfeccionamos nuestros productos continuamente, por lo que el artículo podría diferir ligeramente de la ilustración o la fotografía en este documento.

POR Devido à melhoria contínua dos produtos, os produtos ilustrados ou fotografados neste documento podem variar ligeiramente do produto real.

DK På grund af løbende produktudvikling kan de illustrerede eller fotograferede produkter i dette dokument variere en smule fra det faktiske produkt.

SE På grund av kontinuerlig produktförbättring kan produkterna som visas i illustrationerna och fotografierna i detta dokument skilja sig något från den faktiska produkten.

FI Jatkuvin tuotekehittelyn seurauksena kuvituksen tuotteet eivät välttämättä ole täysin samanlaisia kuin varsinaiset tuote.

NO På grunn av kontinuerlig produktutvikling kan produktene som er vist eller avfotografert i dette dokumentet, variere noe fra det faktiske produktet.

Copyright BRG Appliances 2021

BMO650/SMO650 UG6 H21