

# *the Kitchen Wizz Pro™*

BFP800/SFP800



**EN** USER GUIDE

**DE** HANDBUCH

**FR** GUIDE UTILISATEUR

**NL** HANDLEIDING

**IT** MANUALE UTENTE

**ES** GUÍA DEL USUARIO

**PT** MANUAL DO UTILIZADOR

**PL** INSTRUKCJA OBSŁUGI

# **Sage®**

2	Sage® Recommends Safety First
6	Components
8	Assembly
10	Food Processing Guide
14	Care, Cleaning & Storage
15	Troubleshooting
17	Guarantee

# SAGE® RECOMMENDS SAFETY FIRST

**At Sage® we are very safety conscious. We design and manufacture consumer products with the safety of you, our valued customer, foremost in mind. In addition, we ask that you exercise a degree of care when using any electrical appliance and adhere to the following precautions.**

## IMPORTANT SAFEGUARDS

**READ ALL INSTRUCTIONS BEFORE USE AND SAVE FOR FUTURE REFERENCE**

- A downloadable version of this document is also available at [sageappliances.com](http://sageappliances.com)
- Before using for the first time ensure your electricity supply is the same as shown on the label on the underside of the appliance.

- Remove and safely discard any packaging materials before first use.
- To eliminate a choking hazard for young children, safely discard the protective cover fitted to the power plug.
- This appliance is for household use only. Do not use the appliance for anything other than its intended use. Do not use in moving vehicles or boats. Do not use outdoors. Misuse may cause injury.
- Fully unwind the power cord before operating.
- Position the appliance on a stable, heat resistant, level, dry surface away from the edge and do not operate on or near a heat source such as a hot plate, oven or gas hob.
- Vibration during operation may cause the appliance to move.
- Do not let the power cord hang over the edge of a bench or table, touch hot surfaces or become knotted.
- This appliance shall not be used by children.
- Always disconnect the appliance from the supply if it is left unattended and before assembling, disassembling or cleaning.
- Children should not play with the appliance.
- Cleaning of the appliance and user maintenance should not be carried out by children unless they are 8 years or older and supervised.

**SAGE® RECOMMENDS SAFETY FIRST**

- Keep the appliance and its cord out of reach of children.
- The appliance can be used by persons with reduced physical or mental capabilities or a lack of experience and knowledge, only if they have been given supervision or instruction concerning use of the appliance in a safe way and understand the hazards involved.
- Do not use the appliance if the power cord, plug, or appliance becomes damaged in any way. If damaged and maintenance other than cleaning is required, please contact Sage Customer Service or go to [sageappliances.com](http://sageappliances.com)
- Any maintenance other than cleaning should be performed by an authorised Sage® service centre.
- The installation of a residual current safety switch is recommended to provide additional safety when using all electrical appliances. Safety switches with a rated operating current not more than 30mA are recommended. Consult an electrician for professional advice.
- Always ensure the appliance is properly assembled as per instructed before use. Use the appliance without properly assembled may cause product malfunction, product damage or pose safety risk including personal injury.
- Do not use the food processor on slippery, unstable or uneven surfaces such as a sink drain board.
- Keep hands, fingers, hair, clothing as well as spatulas and other utensils away from moving or rotating parts during operation.
- Do not use the appliance for anything other than food and/or beverage preparation.
- In order to avoid the possible hazard of the appliance starting by itself due to inadvertent resetting of the overload protection, do not attach an external switching device (such as a timer) or connect the appliance to a circuit that can regularly switch the appliance on and off.
- Keep the appliance clean. Follow the cleaning instructions provided in this book.
- This appliance is for household use only. Do not use this appliance for anything other than its intended use. Do not use in moving vehicles or boats. Do not use outdoors. Misuse may cause injury.
- Never use attachments or accessories that are not supplied with this product or authorised by Sage® to be used on this product. Failing to follow this instruction may cause product malfunction, product damage or even pose safety risk.

- For optional accessories authorised by Sage® to be used on this product, please read all instructions supplied with the accessory in conjunction with the instructions contained in this booklet
- Care should be taken when removing the food from the processing bowl by ensuring the motor, Quad™ blade, dough blade or disc, have completely stopped before disassembling. Ensure the OFF button has been pressed to switch the motor off; the appliance is switched off at the power outlet and unplugged, before removing the lid from the bowl. The processing bowl should then be unlocked from the motor body and the Quad™ blade, dough blade or discs carefully removed before attempting to remove the processed food.
- Do not process hot or boiling liquids - allow liquids to cool before placing into the processing bowl. Hot liquid can be ejected to cause injury due to sudden steaming.
- Ensure the OFF button has been pressed, and the food processor is switched off at the power outlet and unplugged before attaching the Quad™ blade, dough blade, disc or processing lid.
- To avoid possible malfunction of the processing bowl's auto switch, do not place the processing lid in the locked position when the appliance is not in use
- Do not place hands or fingers in the bowl of the food processor unless the motor, Quad™ blade, dough blade or discs have come to a complete stop.
- The processing blades and discs are extremely sharp, handle with care at all times. Avoid contact with moving parts during operation. Keep hands, hair, clothing, spatulas and other utensils out of food processor feed chute to prevent personal injury or damage to the mixer. Always use the food pusher to push the food down the feed chute.
- Handle the food processor and attachments with care – remember the blades and discs are razor-sharp and should be kept out of reach of children.
- Care should be taken when handling the sharp cutting blades, emptying the bowl and during cleaning.
- Do not fill bowl above marked liquid levels or 15 cups dry level (shredding). Always add drier or thicker ingredients to the processing bowl prior to adding fluids.

## SAGE® RECOMMENDS SAFETY FIRST

- Never remove the lid while the processor is operating. Always use the POWER/OFF button to stop the machine before removing the lid.
- Do not place the food processor near the edge of a bench or table during operation. Ensure the surface is level, clean and free of water, flour, etc.
- Do not place any part of the food processor in the microwave oven.
- Do not leave the food processor unattended when in use.
- Do not move the food processor whilst in operation.
- Do not use attachments other than those provided with the food processor.
- Do not attempt to operate the food processor by any method other than those described in this booklet.
- Do not push food into the feed chute with your fingers or other utensils. Always use the food pusher provided.
- Always operate the food processor with the processing lid securely in position.
- Always secure the processing bowl onto the motor base before attaching the Quad™ blade, dough blade or discs.
- Please do not crush ice in the large or small processing bowls. This will cause damage to the blades (Quad™ or mini blade). We recommend that you use a blender for ice crushing.
- When mixing yeast dough, the operating time of the food processor should not longer than 30 seconds. Allow the appliance to cool down before next use.
- Some stiff mixtures, such as dough, may cause the processing blade to rotate more slowly than normal. If this happens, do not process for longer than 30 seconds.



The symbol shown indicates that this appliance should not be disposed of in normal household waste.

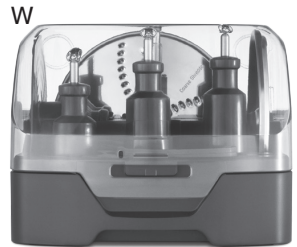
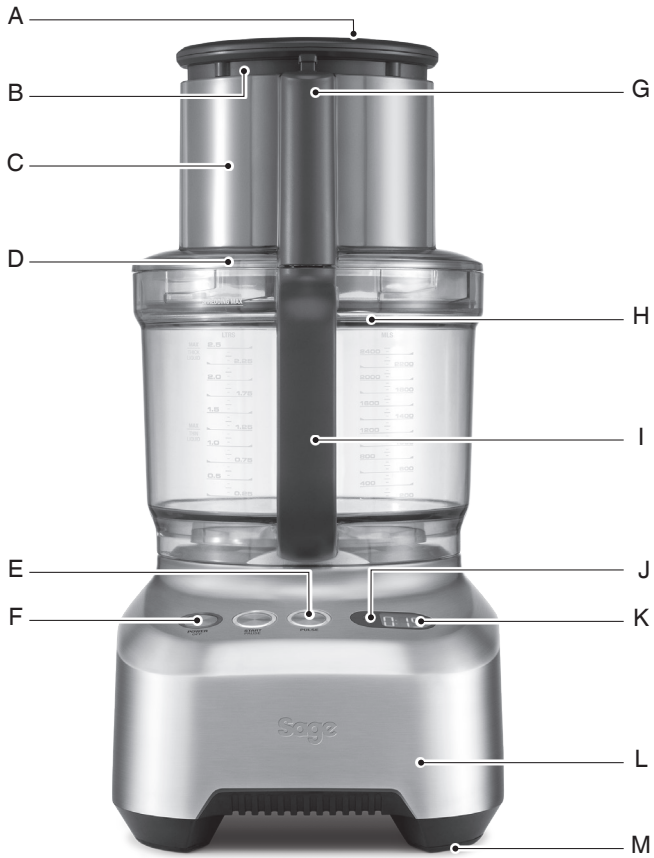
It should be taken to a local authority waste collection centre designated for this purpose or to a dealer providing this service. For more information, please contact your local council office.



To protect against electric shock, do not immerse the power plug, cord or appliance in water or any liquid.

## SAVE THESE INSTRUCTIONS

# COMPONENTS



## COMPONENTS

- A. Small Food Pusher
- B. Large Food Pusher
- C. Extra Wide Feed Chute
- D. Processing Lid
- E. PULSE Button
- F. POWER / OFF Button
- G. Feed Chute Safety System
- H. Silicone Seal
- I. Processing Bowl With Handle
- J. Count Up & Count Down Timer
- K. LCD Display
- L. Direct Drive Motor Base
- M. Non-skid Rubber Feet
- N. Julienne Disc
- O. Chip Cutter
- P. Reversible Shredder
- Q. Adjustable Slicer
- R. Whisk / Emulsifying Disc
- S. 4 Blade Processor
- T. Dough Blade
- U. Mini Processing Blade
- V. Disc Spindle
- W. Storage Container with Lid

### NOT SHOWN

- Cleaning Brush
- Plastic Spatula
- Mini Processing bowl
- Cord Storage
- Sage® Assist Plug



**Rating Information**

220-240V~ 50Hz 2000W

## ASSEMBLY

### BEFORE FIRST USE

Before using your Sage® food processor, become familiar with all the parts. Remove all packaging materials and promotional labels, being careful when handling the processing blades and discs as they are very sharp. Wash the processing bowl, processing lid and other attachments in warm, soapy water. Rinse and dry thoroughly. (Refer to cleaning, care and storage section).

1. Place the motor base on a dry, level work surface. Place the processing bowl on to the motor base with the handle in line with the **ALIGN HANDLE** graphic on the motor base.



2. Turn the processing bowl clockwise until the handle aligns with the **TURN TO LOCK** graphic. The processing bowl should be securely locked into position.



3. If using a disc, first assemble the disc spindle onto the bowl drive coupling. Orientate the disc so that the side you wish to use is facing upwards. Hold the disc by the centre plastic moulding and position the central hole above the attachment spindle. Push down firmly until fitted correctly. (Please note that these discs only fit the larger processing bowl).



4. For using the processing blades, carefully grasp either the 4 blade processor, dough blade or mini processing blade using the central plastic support and position it over the bowl drive coupling and push down until inserted correctly. If using the mini processing blade, ensure the mini processing bowl is assembled into the main bowl first.





## ASSEMBLY

5. Place the processing lid onto the processing bowl so the feed chute is slightly right of the bowl handle and the arrow graphics are aligned. Holding the feed chute and pressing down firmly at the same time, turn the lid clockwise (as indicated by the graphic) so the 'Locking Tab' on the lid slots into the 'Interlocking Safety Catch' on the handle. The lid should be securely locked into position.



### NOTE

The food processor will not operate unless both the processing bowl and lid are correctly locked into position.

### CAUTION

***The processing blade (including the mini bowl blade) and discs are extremely sharp, handle with care at all times.***

6. Insert the power plug into a 220–240 volt power outlet and switch the power outlet on.
7. At the end of processing, always wait until the blades or discs have stopped spinning before unlocking and removing the lid. To remove the processing lid, ensure the POWER / OFF button has been pressed, the power is switched off at the power outlet and the cord is unplugged from the power outlet. Holding the feed chute and pressing down firmly at the same time, turn the lid anti-clockwise so that the arrow graphics are no longer aligned.
8. Remove the processing bowl (before removing blade or discs) by turning it anti-clockwise until the handle is in line with the ALIGN HANDLE. Lift the bowl off the motor shaft. When removing the discs – carefully remove by gripping the plastic hub on the centre of the disc and lifting the disc up and away from the pin on the spindle.

### OVERLOAD PROTECTION SYSTEM

If the motor overloads, the food processor will go to STANDBY mode and OVERLOAD icon in the LCD starts to flash. The food processor can still be switched off by pressing the POWER / OFF button. To operate the food processor again, allow the machine to cool for approx 30 minutes.

Some stiff mixtures, such as dough, may cause the dough blade to rotate more slowly than normal. If this happens, do not process for longer than 1 minute.

## FOOD PROCESSING GUIDE

### NOTE

The food processor is very powerful and recommended using PULSE function where possible as to avoid over chopping or whipping.

FOOD	BLADE TYPE (DOUGH/ 4 BLADE PROCESSOR/ MINI)	ADJUSTABLE SLICING BLADE THICKNESS	RECOMMENDED DISC TYPE (CHIP/SHRED/ JULIENNE/ WHISK)
Avocado	4 blade processor or mini Use: Guacamole	2-5	
Asparagus (cooked)	4 blade processor or mini Use: Asparagus Dip		
Beetroot		2-5	Shredding Use: Salad
Broccoli (cooked)	4 blade processor Use: Broccoli Soup		
Cabbage		Thin 1-2 and med 2-3 Use: Accompaniment	Shredding Use: Salad
Carrot	4 blade processor or mini Use: Vegetable Soup	0-5	Shredding Use: Salad
Cauliflower (cooked)	4 blade processor or mini Use: Cauliflower Soup		
Celery	4 blade processor or mini Use: Vegetable Soup	Thin 1-2 med 2-3 Use: Salad	
Chilli	4 blade processor or mini Use: Seasoning		
Aubergine	4 blade processor or mini Use: Accompaniment, soups	2-5 Use: Grilled aubergine	Shred or Julienne Use: Accompaniment to dishes
Garlic	4 blade processor or mini Use: Seasoning		
Ginger	4 blade processor or mini Use: Seasoning		
Herbs	4 blade processor or mini Use: Seasoning pesto		
Leeks	4 blade processor or mini Use: Cooked for soups	2-5 Use: Vegetable Soup	
Lettuce		2-4 Use: Salad	

## FOOD PROCESSING GUIDE

FOOD	BLADE TYPE (DOUGH/ 4 BLADE PROCESSOR/ MINI)	ADJUSTABLE SLICING BLADE THICKNESS	RECOMMENDED DISC TYPE (CHIP/SHRED/ JULIENNE/ WHISK)
Mushrooms (raw)	4 blade processor or mini Use: Vegetable Soup	4–6 Use: Salad, vegetable soup, mushroom sauce, mushroom soup"	
Mushrooms (cooked)	4 blade processor Use: Mushroom Soup	4–6 Use: Salad, vegetable soup, mushroom sauce, mushroom soup	
Onion	4 blade processor or mini Use: Soups, Sauces	0–5 Use: Salad	
Parsnip	4 blade processor or mini Use: Vegetable soup	2–5 Use: Vegetable lasagna	
Parsnip (cooked)	4 blade processor Use: Accompaniment		
Peas (cooked)	4 blade processor or mini Use: Accompaniment, baby food		
Potatoes		0.5–6 Use: Potato bake	Chip / Julienne / Shredder Use: Chips
Potatoes (cooked)	4 blade processor or mini Use: Mash potato, Skordallia		
Spinach	4 blade processor or mini Use: Accompaniment		
Spinach (cooked)	4 blade processor or mini Use: Creamed spinach		
Swede	4 blade processor or mini Use: Vegetable Soup, creamed swede		
Tomatoes	4 blade processor or mini Use: Salsa	2–5 Use: sandwich filling, Tomato Bocconcini Salad, tomato relish	
Courgette		3–6 Use: Accompaniment, courgette slice, gratin	Shredder – Coarse or fine Use: Salad, Frittata
Apple	4 blade processor or mini Use: Apple sauce	2–5 Use: Apple galette	
Apple (cooked)	4 blade processor or mini Use: Baby food	4–6 Use: Fruit Salad	
Banana	4 blade processor or mini Use: Dessert sauces		

## FOOD PROCESSING GUIDE

FOOD	BLADE TYPE (DOUGH/ 4 BLADE PROCESSOR/ MINI)	ADJUSTABLE SLICING BLADE THICKNESS	RECOMMENDED DISC TYPE (CHIP/SHRED/ JULIENNE/ WHISK)
Berries	4 blade processor or mini Use: Fruit salad		
Citrus Fruit	4 blade processor or mini Use: Fruit mince		
Citrus Peel	4 blade processor or mini Use: Fruit mince		
Dried Fruit	4 blade processor or mini Use: Fruit salad, dessert sauce		
Kiwi fruit	4 blade processor or mini Use: Fruit salad, dessert sauce	4–6 Use: Dessert decoration	
Mango	4 blade processor or mini Use: Fruit salad, dessert sauce		
Melon (Honeydew / rockmelon)	4 blade processor or mini Use: Fruit salad		
Pear	4 blade processor or mini Use: Fruit salad	4–6 Use: Pear pie	
Pear (cooked)	4 blade processor or mini Use: Baby food		
Pineapple	4 blade processor or mini Use: Fruit salad		
Stone Fruit (Apricot, nectarine, peach, plum)	4 blade processor or mini Use: Fruit salad, dessert sauce		
Strawberries	4 blade processor or mini Use: Fruit salad, dessert sauce		
Batters	Dough Use: Cakes, crepes		Whisk Use: cakes, muffins, crepes
Breadcrumbs	4 blade processor or mini Use: Coatings, breadcrumb stuffing		
Cheese			Shredder - Coarse or Fine Use: Grated Cheese

## FOOD PROCESSING GUIDE

FOOD	BLADE TYPE (DOUGH/ 4 BLADE PROCESSOR/ MINI)	ADJUSTABLE SLICING BLADE THICKNESS	RECOMMENDED DISC TYPE (CHIP/SHRED/ JULIENNE/ WHISK)
Chocolate	4 blade processor or mini Use: Chocolate Ganache		Shredder – Coarse or Fine Use: Dessert decoration
Cream Cheese	4 blade processor or mini Use: Dips, cheese cake		
Doughs	Dough Use: Pastry, scones, bread		
Egg Whites use PULSE function			Whisk Use: Egg foams (not recommended for meringue, pavlova)
Eggs (hard boiled)	4 blade processor or mini Use: Sandwich filling	2–5 Use: sandwich filling	
Eggs (whole or yolks) use PULSE function			Whisk Use: Mayonnaise
Cream use PULSE function			Whisk Use: recommended PULSE function to avoid over whipping
Milkshakes and smoothies	4 blade processor Use: recommend using PULSE function		
Meat (raw) use PULSE function	4 blade processor Use: Mince meatloaf, burgers		
Meat (cooked) use PULSE function	4 blade processor Use: Sandwich fillings, pate, baby food		
Meat (deli)		1–6 Use: Sandwiches, antipasto, pizza toppings	

## CARE, CLEANING & STORAGE

### CARE AND CLEANING

When finished processing, switch the food processor off at the power outlet and unplug the power cord.

#### Motor base

Wipe the motor base with a clean, damp cloth after each use. Dry thoroughly with a soft, clean cloth.

#### Processing bowl, lid and food pusher

Hand wash in hot, soapy water using a mild detergent. Do not use a scourer or abrasive cleaners as they will scratch the plastic surface. The plastic parts may occasionally be washed in the dishwasher (top shelf only). It is not recommended on a regular basis, as prolonged exposure to hot water temperatures and harsh detergents will damage and shorten the life of the plastic.

#### NOTE

Do not place food pusher in the dishwasher as the heat may deform it.

#### Processing 4 blade processor, dough blade and discs

Hand wash the bowl and lid. Use the cleaning brush accessory to scrub stubborn foods off the blades and discs. The handle end of the brush is designed for scraping.

To avoid accidental cuts, do not leave 4 blade processor or discs to soak in sudsy water. The 4 blade processor, dough blade, discs and spindle can also be washed in the dishwasher (top shelf only).

#### NOTE

The 4 blade processor cover can be assembled onto the 4 blade processor while it is placed in the dishwasher for added safety.



### WARNING

***The 4 blade processor, mini and adjustable processing blades and discs are extremely sharp, handle with care at all times.***

***Never immerse the motor base, power cord or power plug in water or any other liquid.***

***Never store your food processor with the bowl fixed and lid locked into position. Doing so will cause unnecessary strain on the auto operating switch on the handle of the processing bowl and the automatic safety switch on the motor base.***

***Do not put any part of the food processor in the microwave oven.***

## TROUBLESHOOTING

PROBLEM	EASY SOLUTION
<b>Food is unevenly processed</b>	<ul style="list-style-type: none"> <li>• Ingredients should be cut evenly into 2.5cm pieces before processing.</li> <li>• Ingredients should be processed in batches to avoid overloading.</li> </ul>
<b>Slices are slanted or uneven</b>	<ul style="list-style-type: none"> <li>• Load food in feed chute. Place pusher onto food and apply pressure. Then press start.</li> </ul>
<b>Food falls over in the feed chute</b>	<ul style="list-style-type: none"> <li>• The large feed chute must be packed full for best results. If processing smaller quantities, use the small feed chute.</li> </ul>
<b>Chipper disk</b>	<ul style="list-style-type: none"> <li>• Always clear any blocked potato from the chipper disc before processing more potatoes.</li> </ul>
<b>Some food remains on the disc after processing</b>	<ul style="list-style-type: none"> <li>• It is normal for small pieces to remain after processing.</li> </ul>
<b>Motor slows down when mixing dough</b>	<ul style="list-style-type: none"> <li>• Amount of dough may exceed maximum capacity. Remove half and process in two batches.</li> <li>• Dough may be too wet (see next page). If motor speeds up, continue processing. If not, add more flour, 1 tablespoon at a time until the motor speeds up. Process until dough cleans the side of the processing bowl.</li> </ul>
<b>Motor slow to start with the 4 blade processor</b>	<ul style="list-style-type: none"> <li>• The amount of meat may have exceed the maximum capacity. Refer to the Instruction Booklet for maximum quantities. Remove the meat and process in two batches.</li> <li>• Note that for best results trim the meat of fat before processing.</li> </ul>
<b>The motor does not start</b>	<ul style="list-style-type: none"> <li>• There is a safety interlock switch to prevent the motor from starting if it is not properly assembled. Make sure the processing bowl, lid and the pusher are securely locked into position.</li> <li>• If you are slicing or shredding and the above solution does not work, make sure that the food contents in the feed chute are cut below the maximum fill line so that the activation rod can engage the motor.</li> <li>• If the motor still will not start, check the power cord and power outlet.</li> </ul>

## TROUBLESHOOTING

PROBLEM	EASY SOLUTION
<b>The food processor shuts off during operation</b>	<ul style="list-style-type: none"> <li>The lid may have become unlocked, check to make sure it is securely in position.</li> <li>If the motor overloads, the 'OVERLOAD' icon in the LCD will start to flash. Switch off by pressing the POWER / OFF button and unplug the power cord. Allow the food processor to cool for 20–30 minutes before resuming.</li> </ul>
<b>The motor slowed down during operation</b>	<ul style="list-style-type: none"> <li>This is normal as some heavier loads may require the motor to work harder. Reposition the food in the feed chute and continue processing.</li> <li>The maximum load capacity may have been exceeded. Refer to the Instruction Booklet for maximum quantities. Remove some of the ingredients and continue processing.</li> </ul>
<b>The food processor vibrates/moves during processing</b>	<ul style="list-style-type: none"> <li>Make sure the rubber feet at the bottom of the unit are clean and dry. Also make sure that the maximum load capacity is not being exceeded.</li> </ul>
<b>Dough doesn't fully incorporate ingredients</b>	<ul style="list-style-type: none"> <li>When kneading dough, always start the food processor before adding liquid. Add liquid in a slow, steady stream, allowing the dry ingredients to absorb it. If too much liquid is added, wait until ingredients in the processing bowl have mixed, then add remaining liquid slowly (do not turn off the machine). Pour liquid onto the dough as it passes under the feed chute opening, do not pour liquid directly onto the bottom of the processing bowl.</li> </ul>
<b>Dough feels tough after kneading</b>	<ul style="list-style-type: none"> <li>Divide dough into 2 or 3 pieces and redistribute evenly in processing bowl. Process 10 seconds or until uniformly soft and pliable.</li> </ul>
<b>Dough is too dry</b>	<ul style="list-style-type: none"> <li>While machine is running, add water through the small feed chute, 1 tablespoon at a time until dough cleans the inside of the processing bowl.</li> </ul>
<b>Dough is too wet</b>	<ul style="list-style-type: none"> <li>While machine is running, add flour through the small feed chute, 1 tablespoon at a time until dough cleans the inside of the processing bowl.</li> </ul>



## GUARANTEE

### **3 YEAR LIMITED GUARANTEE AND 30 YEAR LIMITED MOTOR GUARANTEE**

Sage Appliances guarantees this product for domestic use in specified territories for 3 years for all parts of the product and 30 years for the product's motor from the date of purchase against defects caused by faulty workmanship and materials. During this guarantee period Sage Appliances will repair, replace, or refund any defective product (at the sole discretion of Sage Appliances).

All legal warranty rights under applicable national legislation will be respected and will not be impaired by our guarantee. For full terms and conditions on the guarantee, as well as instructions on how to make a claim, please visit [www.sageappliances.com](http://www.sageappliances.com).

## NOTE

*the Kitchen Wizz Pro™*



DE HANDBUCH

**Sage®**

- 2 Sage® empfiehlt: sicherheit geht vor
- 6 Komponenten
- 8 Montage
- 10 Leitfaden für lebensmittelverarbeitung
- 14 Reinigung, pflege und aufbewahrung
- 15 Fehlerbehebung
- 17 Garantie

## **SAGE® EMPFIHLT: SICHERHEIT GEHT VOR**

**Wir bei Sage® sind sehr sicherheitsbewusst. Beim Design und bei der Herstellung unserer Geräte denken wir zu allererst an Ihre Sicherheit. Darüber hinaus bitten wir Sie, bei der Verwendung jedes Elektrogeräts angemessene Sorgfalt anzuwenden und sich an die folgenden Vorsichtsmaßnahmen zu halten.**

## **WICHTIGE VORSICHTS- MASSNAHMEN**

**BITTE ALLE ANWEISUNGEN  
VOR DEM GEBRAUCH  
LESEN UND ZUR  
SPÄTEREN BEZUGNAHME  
AUFBEWAHREN.**

- Dieses Informationsbuch steht zum Download unter [www.sageappliances.com](http://www.sageappliances.com) zur Verfügung.
- Vor dem ersten Gebrauch prüfen, dass Ihre Netzspannung mit der auf dem Etikett an der Unterseite des Geräts übereinstimmt.
- Vor dem ersten Gebrauch alle Verpackungsmaterialien abnehmen und sicher entsorgen.
- Schutzhülle am Netzstecker sicher entsorgen, da sie für Kleinkinder eine Erstickungsgefahr darstellen könnte.
- Dieses Gerät ist nur für den Haushaltsgebrauch bestimmt. Gerät nur bestimmungsgemäß verwenden. Nicht in fahrenden Fahrzeugen oder Booten verwenden. Nicht im Freien verwenden. Missbrauch kann Verletzungen nach sich ziehen.
- Netzkabel vor dem Gebrauch vollständig entrollen.
- Gerät in sicherem Abstand von Kanten auf eine stabile, hitzebeständige, ebene und trockene Fläche stellen. Nicht auf oder neben einer Wärmequelle wie einem Gas- oder Elektroherd oder einem heißen Ofen betreiben.

**SAGE® EMPFIEHLT: SICHERHEIT GEHT VOR**

- Das Gerät kann während des Betriebs aufgrund von Vibrationen verrutschen.
- Netzkabel nicht über Arbeitsplatten oder Tischkanten hängen lassen, von heißen Oberflächen fern halten, Kabelgewirr vermeiden.
- Gerät immer AUSschalten, Netzstecker ziehen und abkühlen lassen, ehe Sie es bewegen, reinigen oder lagern.
- Gerät immer ausschalten, sofern möglich auch an der Steckdose, und Netzstecker ziehen, wenn es nicht in Gebrauch ist.
- Gerät nicht verwenden, wenn das Netzkabel, der Netzstecker oder das Gerät selbst in irgendeiner Weise beschädigt ist. Wenden Sie sich bei Schäden und zur Wartung (außer Reinigung) bitte an den Sage-Kundendienst oder besuchen Sie [sageappliances.com](http://sageappliances.com)
- Alle Wartungsarbeiten außer Reinigung nur von autorisierten Sage-Kundendienststellen vornehmen lassen.
- Kinder nicht mit dem Gerät spielen lassen.
- Reinigung des Geräts nicht von Kindern unter 8 Jahren und nur unter Aufsicht vornehmen lassen.
- Gerät und Netzkabel für Kinder bis zu 8 Jahren unzugänglich aufbewahren.
- Die Installation eines Schutz- oder Sicherheitsschalters wird bei der Verwendung von Elektrogeräten als zusätzliche Schutzmaßnahme empfohlen. Es wird ein Sicherheitsschalter mit maximal 30 mA Nennleistung empfohlen. Fachgerechte Beratung erhalten Sie von Ihrem Elektriker.
- Gerät nur nutzen, wenn es richtig zusammengesetzt ist. Das Gerät funktioniert nur, wenn es richtig zusammengesetzt ist.
- Gerät nicht auf der Abtropffläche Ihrer Spüle verwenden.
- Hände, Finger, Haare und Bekleidung, Schaber und andere Utensilien während des Betriebs von beweglichen oder rotierenden Teilen fern halten.
- Gerät nur bestimmungsgemäß zur Zubereitung von Speisen und/oder Getränken verwenden.

- Zur Vermeidung des Risikos, dass sich das Gerät aufgrund einer unbeabsichtigt zurückgesetzten Überlastsicherung selbst in Betrieb setzt, keine externen Schalter (z. B. eine Zeituhr) anschließen und das Gerät nicht an einen Stromkreis anschließen, der das Gerät regelmäßig aus- und einschalten kann.
- Alle Anweisungen vor dem Gebrauch sorgfältig lesen und zur späteren Bezugnahme aufbewahren.
- Dieses Gerät kann von Personen mit eingeschränkten körperlichen, sensorischen oder geistigen Fähigkeiten oder mit mangelnder Erfahrung und fehlenden Kenntnissen genutzt werden, sofern sie beaufsichtigt werden oder in den sicheren Gebrauch des Geräts eingewiesen wurden und sich der entsprechenden Risiken bewusst sind.
- Gerät nicht von Kindern bedienen lassen.
- Gerät während des Betriebs nicht unbeaufsichtigt lassen.
- Zutaten nie mit den Fingern oder anderen Utensilien als dem mitgelieferten Stopfer in den Einfüllschacht pressen. Hand oder Finger nie in den Einfüllschacht stecken, wenn dieser am Gerät angebracht ist.
- Keinen Teil des Geräts in einen Mikrowellenherd legen.
- Gerät während des Betriebs immer an Ort und Stelle lassen.
- Küchenmaschine und Zubehör stets vorsichtig handhaben. Stets daran denken, dass die Messer und Scheiben rasiermesserscharf sind und von Kindern ferngehalten werden sollten.
- Arbeitsbehälter vor dem Anbringen von Einsätzen (Einsatz mit vier Messern, Knet- oder Scheibeneinsätze) stets korrekt in den Motorfuß einsetzen.
- Küchenmaschine nur mit sicher angebrachtem Deckel betreiben.
- Stets prüfen, dass der Motor anhand der AUS-Taste (OFF) ausgeschaltet und das Gerät am Netzschalter ausgeschaltet und ausgesteckt ist, ehe Sie den Deckel vom

## SAGE® EMPFIEHLT: SICHERHEIT GEHT VOR

Arbeitsbehälter abnehmen.

Der Arbeitsbehälter sollte anschließend vom Motorfuß entriegelt und etwaige Einsätze (vier Messer, Knet- oder Scheibeneinsätze) vorsichtig abgenommen werden, ehe Sie versuchen, verarbeitete Zutaten zu entnehmen.

- In den großen oder kleinen Arbeitsbehältern bitte kein EIS zerkleinern, da dies die Messer beschädigt. Zum Zerkleinern von Eis empfehlen wir einen Mixer.
- Keine heißen oder kochenden Flüssigkeiten verarbeiten. Flüssigkeiten abkühlen lassen, ehe sie in den Arbeitsbehälter gegossen werden.
- Behälter nicht über die Markierungen für Flüssigkeiten oder zum Zerkleinern hinaus füllen. Trockenere und dickere Zutaten stets zuerst und Flüssigkeiten danach in den Arbeitsbehälter geben.
- Arbeitsbehälter nicht einrasten lassen, wenn das Gerät nicht in Gebrauch ist, um

eine mögliche Fehlfunktion des Automatikschalters am Arbeitsbehälter zu vermeiden.

- Küchenmaschine nicht anders betreiben als in dieser Broschüre beschrieben.
- Manche feste Mischungen wie bestimmte Teige können dazu führen, dass sich die Einsätze langsamer als üblich drehen. Wenn dies geschieht, Gerät nicht länger als 1 Minute betreiben.



Dieses Symbol zeigt, dass das Gerät nicht im normalen Hausmüll entsorgt werden sollte.

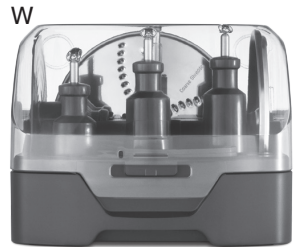
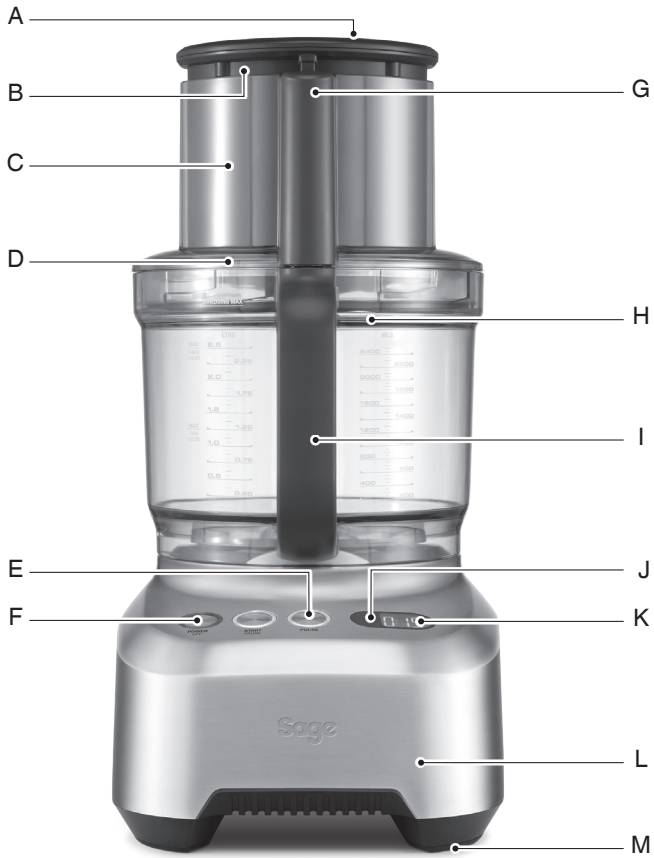
Es sollte stattdessen bei einem entsprechenden kommunalen Wertstoffhof oder Fachhändler zur Entsorgung abgegeben werden. Weitere Einzelheiten erfahren Sie von Ihrer Kommunalbehörde.



Zum Schutz gegen Stromschlag Netzstecker, Netzkabel oder Gerät nicht in Wasser oder sonstige Flüssigkeiten tauchen.

## DIESE ANLEITUNG AUFBEWAHREN

# KOMPONENTEN





## KOMPONENTEN

- A. Kleiner Lebensmittelstopfer
- B. Großer Lebensmittelstopfer
- C. Extraweiter Einfüllstutzen
- D. Deckel für Arbeitsbehälter
- E. PULSE-Schalter
- F. POWER / OFF-Schalter
- G. Einfüllstutzen-Sicherheitssystem
- H. Silicondichtung
- I. Arbeitsschüssel mit Griff
- J. Aufwärtszähler und Abwärtszähler
- K. LCD-Anzeige
- L. Direktantriebsmotor
- M. AntirutschgummifüÙe
- N. Julienne-Scheibe
- O. Pommes-frites-Schneider
- P. Wendbarer Schredder
- Q. Verstellbare Schneidescheibe
- R. Quirl-Emulgier-Scheibe
- S. Vierklingeneinsatz
- T. Teigklinge
- U. Mini-Arbeitsklinge
- V. Antriebsschaft
- W. Aufbewahrungsbehälter mit Deckel

### NICHT ABGEBILDET

- Reinigungsbürste
- Plastikspachtel
- Mini-Arbeitsschüssel
- Kabelaufbewahrung
- Sage®-Assist-Plug-Stecker

## VOR DER INBETRIEBNAHME

Vor der Inbetriebnahme Ihrer Sage® Küchenmaschine machen Sie sich bitte mit allen Teilen vertraut. Entfernen Sie das gesamte Verpackungsmaterial und alle Werbeetiketten; seien Sie vorsichtig, wenn Sie die Schneideklingen und Scheiben berühren, sie sind sehr scharf. Die Arbeitsschüssel, den Deckel und weiteres Zubehör in warmem Seifenwasser waschen. Gründlich abspülen und trocknen. (Siehe Absatz zur Reinigung, Pflege und Aufbewahrung).

1. Den Motorfuß auf eine trockene, ebene Arbeitsfläche stellen. Die Arbeitsschüssel auf den Motorfuß stellen, dabei richten Sie sich nach der ALIGN-HANDLE-Abbildung auf dem Motorfuß.



2. Die Arbeitsschüssel im Uhrzeigersinn drehen, bis der Griff mit der Abbildung TURN TO LOCK übereinstimmt. Die Arbeitsschüssel sollte sich nun fest eingerastet in Position befinden.



3. Wenn sie eine Scheibe benutzen, dann setzen Sie zuerst den Antriebsschaft auf die Antriebskupplung der Schüssel. Richten Sie die Scheibe so aus, dass die gewünschte Seite nach oben zeigt. Halten Sie die Scheibe in der Mitte am Kunststoffgriffstück und positionieren Sie die Mitte des Lochs über den Zubehörschaft. Fest runterdrücken, bis sie richtig sitzt. (Anmerkung: Diese Scheiben passen nur zur größeren Arbeitsschüssel).



4. Um die Arbeitsklingen zu benutzen, greifen Sie den Vierklingeneinsatz, die Teigklinge oder die Miniverarbeitungsklinge vorsichtig an dem Kunststoffgriffstück in der Mitte; die jeweilige Klinge über den Antriebsschaft der Schüssel positionieren und runterdrücken, bis sie korrekt sitzt. Wenn Sie die Miniarbeitsklinge benutzen, dann vergewissern Sie sich erst, dass die Miniarbeitsschüssel in der Hauptschüssel zusammengesetzt ist.

## MONTAGE



5. Den Deckel auf die Arbeitsschüssel setzen, dabei sollte die Schüssel so aufgesetzt sein, dass der Einfüllstutzen sich leicht rechts vom Schüsselgriff befindet und die Pfeilabbildungen aufeinander ausgerichtet sind. Halten Sie den Einfüllstutzen und drücken Sie ihn gleichzeitig fest nach unten, den Deckel im Uhrzeigersinn drehen (wie in der Abbildung gezeigt), sodass die Verriegelungslasche auf dem Deckel in die Sicherheitsverriegelungsvorrichtung auf dem Griff einrastet. Der Deckel muss fest in Position eingerastet sein.



### HINWEIS

Die Küchenmaschine wird nicht in Betrieb gehen, bis die Arbeitsschüssel und der Deckel korrekt in ihrer Position eingerastet sind.



### VORSICHT

**Die Arbeitsklingen (einschließlich Minischüsselklinge) und Scheiben sind extrem scharf; immer mit äußerster Vorsicht handhaben.**

- Den Netzstecker in eine Steckdose mit 220–240 Volt stecken und ggf. die Steckdose anschalten.
- Am Ende der Verarbeitung immer warten, bis die Klingen oder Scheiben aufgehört haben sich zu drehen, bevor Sie entriegeln und den Deckel entfernen. Vor dem Deckelentfernen sicherstellen, dass der POWER / OFF-Schalter gedrückt, der Strom ggf. an der Steckdose abgeschaltet und das Netzkabel aus der Steckdose gezogen ist. Den Einfüllstutzen halten und gleichzeitig fest runterdrücken, den Deckel gegen den Uhrzeigersinn drehen, sodass die Pfeilabbildungen nicht länger aufeinander ausgerichtet sind.
- Die Arbeitsschüssel (vor dem Entfernen der Klingen oder Scheiben) entfernen, indem sie gegen den Uhrzeigersinn gedreht wird bis der Griff auf ALIGN HANDLE ausgerichtet ist. Die Schüssel vom Motorschaft heben. Zum Entfernen der Scheibe diese vorsichtig an dem Griffstück aus Kunststoff in der Mitte der Scheibe halten und die Scheibe hoch und weg vom Antriebsstift heben.

### ÜBERLASTUNGSSCHUTZSYSTEM

Bei einer Überbelastung des Motors, stellt sich die Maschine auf den STANDBY-Modus und das OVERLOAD-Symbol auf der LCD-Anzeige beginnt aufzuleuchten. Die Küchenmaschine kann immer noch durch Drücken mit dem POWER / OFF-Schalter ausgestellt werden. Vor erneuter Betriebsaufnahme ca. 30 Minuten warten, bis die Küchenmaschine abgekühlt ist. Bei manchen zähen Mischungen wie z. B. Teig, kann es vorkommen, dass die Klingen sich langsamer drehen, als normal.

Ist dies der Fall, dann den Inhalt nicht länger als 1 Minute verarbeiten.

# LEITFADEN FÜR LEBENSMITTELVERARBEITUNG

## HINWEISE

Die Küchenmaschine ist sehr leistungsstark; wir empfehlen so weit möglich den Einsatz der PULSE-Funktion anstatt Zerkleinern oder Quirlen.

LEBENSMITTEL	KLINGENTYP (TEIG/ VIERKLINGENEINSATZ/ MINI)	VERSTELLBARES SCHNEIDEBLATT FÜR UNTERSCHIEDLICHE DICKE	EMPFOHLENER SCHEIBENTYP (POMMES FRITES/ SCHREDDERN/ JULIENNE/QUIRL)
Avocado	Vierklingeneinsatz oder Mini Verwendung: Guacamole	2–5	
Spargel (gekocht)	Vierklingeneinsatz oder Mini Verwendung: Spargeldip		
Rote Beete		2–5	Schreddern Verwendung: Salat
Brokkoli (gekocht)	Vierklingeneinsatz Verwendung: Brokkolisuppe		
Kohl		Dünn 1–2 und Mittel 2–3 Verwendung: Beilage	Schreddern Verwendung: Salat
Karotte	Vierklingeneinsatz oder Mini Verwendung: Gemüsesuppe	0–5	Schreddern Verwendung: Salat
Blumenkohl (gekocht)	Vierklingeneinsatz oder Mini		Verwendung: Blumenkohlsuppe
Sellerie	Vierklingeneinsatz oder Mini Verwendung: Gemüsesuppe	Dünn 1–2 Mittel 2–3 Verwendung: Salat	
Chili	Vierklingeneinsatz oder Mini Verwendung: Gewürz		
Aubergine	Vierklingeneinsatz oder Mini Verwendung: Beilage, Suppen	2–5 Verwendung: gegrillte Aubergine	Schreddern oder Julienne Verwendung: Beilage für Gerichte
Knoblauch	Vierklingeneinsatz oder Mini Verwendung: Gewürz		
Ingwer	Vierklingeneinsatz oder Mini Verwendung: Gewürz		
Kräuter	Vierklingeneinsatz oder Mini Verwendung: Pesto-Würzmittel		
Lauch	Vierklingeneinsatz oder Mini Verwendung: gekocht für Suppen	2–5 Verwendung: Gemüsesuppe	
Salatkopf		2–4 Verwendung: Salat	

## LEITFADEN FÜR LEBENSMITTELVERARBEITUNG

LEBENSMITTEL	KLINGENTYP (TEIG/ VIERKLINGENEINSATZ/ MINI)	VERSTELLBARES SCHNEIDEBLATT FÜR UNTERSCHIEDLICHE DICKE	EMPFOHLENER SCHEIBENTYP (POMMES FRITES/ SCHREDDERN/ JULIENNE/QUIRL)
Pilze (roh)	Vierklingeneinsatz oder Mini Verwendung: Gemüsesuppe	4–6 Verwendung: Salat, Gemüsesuppe, Pilzsoße, Pilzsuppe	
Pilze (gekocht)	Vierklingeneinsatz Verwendung: Pilzsuppe	4–6 Verwendung: Salat, Gemüsesuppe, Pilzsoße, Pilzsuppe	
Zwiebel	Vierklingeneinsatz oder Mini Verwendung: Suppen, Soßen	0–5 Verwendung: Salat	
Sellerieknolle und Pastinake	Vierklingeneinsatz oder Mini Verwendung: Gemüsesuppe	2–5 Verwendung: Gemüselasagne	
Pastinake (gekocht)	Vierklingeneinsatz Verwendung: Beilage		
Erbsen (gekocht)	Vierklingeneinsatz oder Mini Verwendung: Beilage, Babynahrung		
Kartoffeln		0,5–6 Verwendung: Kartoffelauflauf	Pommes frites / Julienne / Schredder Verwendung: Pommes frites
Kartoffeln (gekocht)	Vierklingeneinsatz oder Mini Verwendung: Kartoffelbrei, Skordalia		
Spinat	Vierklingeneinsatz oder Mini Verwendung: Beilage		
Spint (gekocht)	Vierklingeneinsatz oder Mini Verwendung: Spinatcreme		
Kohlrübe	Vierklingeneinsatz oder Mini Verwendung: Gemüsesuppe, Steckrübencreme		
Tomaten	Vierklingeneinsatz oder Mini Verwendung: Salsa	2–5 Verwendung: gefüllte Brote, Tomaten-Bocconcini-Salat, Tomatenwürzsoße	
Zucchini		3–6 Verwendung: Beilage, Zuccinischnitten, Gratin	Schredder – grob oder fein Verwendung: Salat, Frittata
Apfel	Vierklingeneinsatz oder Mini Verwendung: Apfelmus	2–5 Verwendung: Apfel-Galette	
Apple (gekocht)	Vierklingeneinsatz oder Mini Verwendung: Babynahrung	4–6 Verwendung: Obstsalat	

## LEITFADEN FÜR LEBENSMITTELVERARBEITUNG

LEBENSMITTEL	KLINGENTYP (TEIG/ VIERKLINGENEINSATZ/ MINI)	VERSTELLBARES SCHNEIDEBLATT FÜR UNTERSCHIEDLICHE DICKE	EMPFOHLENER SCHEIBENTYP (POMMES FRITES/ SCHREDDERN/ JULIENNE/QUIRL)
Bananen	Vierklingeneinsatz oder Mini Verwendung: Dessertsoßen		
Beeren	Vierklingeneinsatz oder Mini Verwendung: Obstsalat		
Zitrusfrüchte	Vierklingeneinsatz oder Mini Verwendung: Fruchtmischung		
Zitronenschale	Vierklingeneinsatz oder Mini Verwendung: Fruchtmischung		
Trockenfrüchte	Vierklingeneinsatz oder Mini Verwendung: Obstsalat, Dessertsoßen		
Kiwi	Vierklingeneinsatz oder Mini Verwendung: Obstsalat, Dessertsoße	4–6 Verwendung: Nachtischdekoration	
Mango	Vierklingeneinsatz oder Mini Verwendung: Obstsalat, Dessertsoßen		
Melone (Cantaloupe- und Galia-Melone)	Vierklingeneinsatz oder Mini Verwendung: Obstsalat		
Birne	Vierklingeneinsatz oder Mini Verwendung: Obstsalat	4–6 Verwendung: Birnenkuchen	
Birne (gekocht)	Vierklingeneinsatz oder Mini Verwendung: Babynahrung		
Ananas	Vierklingeneinsatz oder Mini Verwendung: Obstsalat		
Steinfrüchte (Aprikose, Nektarine, Pfirsich, Pflaume)	Vierklingeneinsatz oder Mini Verwendung: Obstsalat, Dessertsoßen		
Erdbeeren	Vierklingeneinsatz oder Mini Verwendung: Obstsalat, Dessertsoßen		
Teigsorten	Teig Verwendung: Kuchen, Crêpes		Quirl Verwendung: Kuchen, Muffins, Crêpes
Brotkrümel	Vierklingeneinsatz oder Mini Verwendung: Panieren, Brotfüllungen		

## LEITFADEN FÜR LEBENSMITTELVERARBEITUNG

LEBENSMITTEL	KLINGENTYP (TEIG/ VIERKLINGENEINSATZ/ MINI)	VERSTELLBARES SCHNEIDEBLATT FÜR UNTERSCHIEDLICHE DICKE	EMPFOHLENER SCHEIBENTYP (POMMES FRITES/ SCHREDDERN/ JULIENNE/QUIRL)
Käse			Schredder – grob oder fein Verwendung: geriebener Käse
Schokolade	Vierklingeneinsatz oder Mini Verwendung: Schokoladen- Ganache		Schredder – grob oder fein Verwendung: Nachtschdekoratation
Doppelrahmfrisch- käse	Vierklingeneinsatz oder Mini Verwendung: Dips, Käsekuchen		
Teigsorten	Teig Verwendung: Gebäck, Scones, Brot		
Eiweiß Verwendung: PULSE-Funktion			Quirl Verwendung: Eierschaum (nicht empfohlen für Meringue, Pavlova)
Eier (hart gekocht)	Vierklingeneinsatz oder Mini Verwendung: Brotfüllung	2–5 Verwendung: Brotfüllung	
Eier (ganz oder Eigelb) Verwendung: PULSE-Funktion			Quirl Verwendung: Mayonnaise
Sahne Verwendung: PULSE-Funktion			Quirl Verwendung: Wir empfehlen die PULSE-Funktion, um ein übermäßiges Schlagen zu vermeiden.
Milkshakes und Smoothies	Vierklingeneinsatz Verwendung: PULSE-Funktion wird empfohlen.		
Fleisch (roh) Verwendung: PULSE-Funktion	Vierklingeneinsatz Verwendung: Fleischaufauf, Burger		
Fleisch (gekocht) Verwendung: PULSE-Funktion	Vierklingeneinsatz Verwendung: Brotfüllung, Pate, Babynahrung		
Wurstaufschnitt		1–6 Verwendung: belegte Brote, Antipasto, Pizzabelag	

## PFLEGE UND REINIGUNG

Wenn die Verarbeitung beendet ist, die Küchenmaschine an der Steckdose ausschalten und den Netzstecker herausziehen.

### Motorfuß

Den Motorfuß mit einem sauberen, feuchten Lappen nach jedem Einsatz abwischen. Gründlich mit einem weichen, trockenen Lappen abtrocknen.

### Arbeitsschüssel, Deckel und Stopfer

Mit der Hand in heißem Seifenwasser mit einem milden Spülmittel waschen. Keine Topfreiniger oder scheuernden Reinigungsmittel verwenden, da sie die Kunststoffoberfläche zerkratzen.

Die Kunststoffteile können gelegentlich im Geschirrspüler gewaschen werden (nur im oberen Fach). Nicht regelmäßig im Geschirrspüler waschen; längerer Kontakt mit heißem Wasser und scharfen Reinigungsmitteln beschädigen den Kunststoff und verkürzen seine Lebensspanne.

### HINWEIS

Nicht den Stopfer in den Geschirrspüler legen, die Hitze kann den Stopfer evtl. verformen.

### Vierklingeneinsatz, Teigklinge und Scheiben

Schüssel und Deckel mit der Hand waschen. Für hartnäckige Lebensmittelreste die mitgelieferte Reinigungsbürste benutzen, um die Klingen und Scheiben abzureiben. Das Griffende der Bürste dient zum Abkratzen. Vermeiden Sie versehentliche Schnittwunden, indem Sie den Vierklingeneinsatz und/oder die Scheiben nicht im Seifenwasser einweichen lassen. Der Vierklingeneinsatz, Scheiben und Antriebsschaft können auch im Geschirrspüler gewaschen werden (nur im obersten Fach).

### HINWEIS

Die Abdeckung des Vierklingeneinsatzes kann zur zusätzlichen Sicherheit aufgesetzt werden, wenn er in den Geschirrspüler kommt.



## WARNUNG

***Der Vierklingeneinsatz, Mini und verstellbare Verarbeitungsklingen sowie Scheiben sind extrem scharf und müssen immer mit größter Vorsicht gehandhabt werden.***

***Nie den Motorfuß, Netzkabel oder Steckdose in Wasser oder andere Flüssigkeit eintauchen.***

***Küchenmaschine niemals mit eingerasteter Schüssel und eingerastetem Deckel aufbewahren. Dies belastete unnötigerweise den Auto-Betriebsschalter am Griff der Arbeitsschüssel und den automatischen Sicherheitsschalter am Motorfuß.***

***Keine Teile der Küchenmaschine in einen Mikrowellenofen stecken.***



## FEHLERBEHEBUNG

PROBLEM	EINFACHE LÖSUNG
<b>Lebensmittel sind ungleich verarbeitet</b>	<ul style="list-style-type: none"> <li>• Zutaten müssen vor der Verarbeitung in gleichmäßig große Stücke (2,5 cm) geschnitten werden.</li> <li>• Zutaten müssen portionsweise verarbeitet werden, um Überlastung zu vermeiden.</li> </ul>
<b>Schnitten sind abgeschrägt oder ungleichmäßig</b>	<ul style="list-style-type: none"> <li>• Lebensmittel in Einfüllstutzen füllen. Stopfer auf Lebensmittel platzieren und Druck ausüben. Dann Start drücken.</li> </ul>
<b>Lebensmittel fallen im Einfüllstutzen um</b>	<ul style="list-style-type: none"> <li>• Für ein optimales Ergebnis muss der Einfüllstutzen vollgepackt sein. Den kleineren Einfüllstutzen für kleinere Mengen verwenden.</li> </ul>
<b>Pommes-frites-Scheibe</b>	<ul style="list-style-type: none"> <li>• Die Scheibe immer von feststeckenden Kartoffelstücken befeien, bevor Sie weitere Kartoffeln verarbeiten.</li> </ul>
<b>Lebensmittelreste auf der Scheibe nach Verarbeitung</b>	<ul style="list-style-type: none"> <li>• Es ist normal, dass kleine Stücke nach der Verarbeitung zurückbleiben.</li> </ul>
<b>Motor wird beim Teigrühren langsamer</b>	<ul style="list-style-type: none"> <li>• Die Teigmenge übersteigt evtl. die maximale Kapazität.</li> <li>• Die Hälfte entfernen und in zwei Portionen verarbeiten.</li> <li>• Teig ist evtl. zu nass (siehe nächste Seite). Wenn der Motor schneller wird, die Verarbeitung fortsetzen. Wenn nicht, dann mehr Mehl zugeben: jeweils 1 Eßlöffel bis der Motor schneller wird. Weiterverarbeiten bis der Teig sich von der Seite des Arbeitsschüssel löst.</li> </ul>
<b>Motor läuft langsam mit dem Vierklingeneinsatz an</b>	<ul style="list-style-type: none"> <li>• Die Fleischmenge übersteigt evtl. die maximale Kapazität.</li> <li>• Entnehmen Sie die Höchstmengen der Anleitungsbroschüre.</li> <li>• Fleisch entfernen und in zwei Portionen verarbeiten.</li> <li>• Beste Ergebnisse erzielen Sie, wenn Sie vorher das Fett vom Fleisch entfernen.</li> </ul>
<b>Der Motor startet nicht</b>	<ul style="list-style-type: none"> <li>• Eine Sicherheitssperre verhindert das Starten des Motors, wenn die Maschine nicht richtig zusammengesetzt ist. Vergewissern Sie sich, dass Schüssel, Deckel und Stopfer sicher in ihre Position eingerastet sind.</li> <li>• Wenn Sie schneiden oder schreddern und der obige Lösungsvorschlag war nicht erfolgreich, dann vergewissern Sie sich bitte, dass die Lebensmittel im Einfüllstutzen sich unter der maximalen Befüllungsmarkierung befinden, damit die Betätigungsstange den Motor starten kann.</li> <li>• Falls der Motor nicht startet, das Netzkabel und die Steckdose prüfen.</li> </ul>

## FEHLERBEHEBUNG

PROBLEM	EINFACHE LÖSUNG
<b>Die Küchenmaschine stellt sich während des Betriebs aus</b>	<ul style="list-style-type: none"> <li>• Der Deckel hat sich evtl. geöffnet, vergewissern Sie sich, dass er sicher in seiner Position eingeraste ist.</li> <li>• Bei Motorüberbelastung erscheint das entsprechende Zeichen OVERLOAD auf der LCD-Anzeige und beginnt aufzuleuchten. Mit dem POWER / OFF-Schalter durch Drücken ausschalten und den Netzstecker ziehen. Die Küchenmaschine 20–30 Minuten vor erneuter Inbetriebnahme abkühlen lassen.</li> </ul>
<b>Der Motor ist während des Betriebs langsamer geworden</b>	<ul style="list-style-type: none"> <li>• Das ist normal, da manche schwereren Befüllungen es erforderlich machen, dass der Motor härter arbeitet. Die Lebensmittel im Einfüllstutzen umlagern und weiter verarbeiten.</li> <li>• Die Höchstkapazität für die Befüllung wurde evtl. überschritten.</li> <li>• Entnehmen Sie die Höchstmengen der Anleitungsbroschüre.</li> <li>• Entfernen Sie einige Zutaten und setzen Sie die Verarbeitung fort.</li> </ul>
<b>Die Küchenmaschine vibriert bzw. bewegt sich während des Verarbeitens</b>	<ul style="list-style-type: none"> <li>• Vergewissern Sie sich, dass die Gummifüße auf der Unterseite des Geräts sauber und trocken sind. Vergewissern Sie sich auch, dass die maximale Befüllungskapazität nicht überschritten wird.</li> </ul>
<b>Teig verarbeitet Zutaten nicht vollständig</b>	<ul style="list-style-type: none"> <li>• Für Teigneten die Küchenmaschine immer erst starten, bevor Flüssigkeit hinzugefügt wird. Flüssigkeit langsam und gleichmäßig hinzufügen und den trockenen Zutaten Zeit geben, die Flüssigkeit aufzunehmen. Wird zu viel Flüssigkeit hinzugefügt, dann warten bis die Zutaten in der Arbeitsschüssel sich vermengt haben, dann die verbleibende Flüssigkeit langsam dazu geben (Maschine nicht ausstellen). Flüssigkeit auf den Teig gießen, wenn er unter der Öffnung des Einfüllstutzens erscheint; Flüssigkeit nicht direkt auf den Boden der Arbeitsschüssel gießen.</li> </ul>
<b>Der Teig fühlt sich nach dem Kneten fest an</b>	<ul style="list-style-type: none"> <li>• Den Teig in 2 oder 3 Teile aufteilen und dann gleichmäßig in der Arbeitsschüssel verteilen. 10 Sekunden verarbeiten oder bis er einheitlich weich und geschmeidig ist.</li> </ul>
<b>Teig ist zu trocken</b>	<ul style="list-style-type: none"> <li>• Während die Maschine läuft, Wasser immer esslöffelweise durch den kleinen Einfüllstutzen zugeben, bis der Teig sich von der Innenseite der Arbeitsschüssel löst.</li> </ul>
<b>Teig ist zu nass</b>	<ul style="list-style-type: none"> <li>• Während die Maschine läuft, Mehl esslöffelweise durch den kleinen Einfüllstutzen dazugeben, bis der Teig sich von der Innenseite der Arbeitsschüssel trennt.</li> </ul>

## GARANTIE

### **3 JAHRE BESCHRÄNKTE GARANTIE UND 30 JAHRE BESCHRÄNKTE MOTORGARANTIE**

Sage Appliances gibt auf dieses Produkt für den häuslichen Gebrauch in bestimmten Gebieten eine Garantie über 3 Jahre für alle Bestandteile des Produkts und 30 Jahre für den Produktmotor ab Kaufdatum für Mängel, die durch fehlerhafte Verarbeitung und Materialien verursacht wurden. Während dieser Garantiezeit wird Sage Appliances jedes fehlerhafte Produkt reparieren, ersetzen oder das Geld zurückerstatten (nach eigenem Ermessen von Sage Appliances).

Alle gesetzlichen Gewährleistungsrechte nach geltendem nationalem Recht werden beachtet und durch unsere Garantie nicht beeinträchtigt. Die vollständigen Garantiebestimmungen und -bedingungen sowie Hinweise zur Geltendmachung von Ansprüchen finden Sie unter [www.sageappliances.com](http://www.sageappliances.com).



*the Kitchen Wizz Pro™*



FR GUIDE UTILISATEUR

**Sage®**

2	Mesures de sécurité importantes
6	Composants
8	Assemblage
10	Guide de préparation des aliments
14	Entretien, nettoyage et rangement
15	Dépannage
18	Garantie

# SAGE® RECOMMANDE LA SÉCURITÉ AVANT TOUT

**Chez Sage®, la sécurité est une priorité. Nous concevons et fabriquons des produits de consommation en mettant la sécurité de nos clients importants, c'est-à-dire vous, au premier plan. Nous vous demandons également de faire attention lorsque vous utilisez un appareil électrique et de respecter les consignes suivantes.**

## MESURES DE SÉCURITÉ IMPORTANTES

**LISEZ TOUTES LES INSTRUCTIONS AVANT UTILISATION ET CONSERVEZ-LES POUR RÉFÉRENCE ULTÉRIEURE**

- Une version téléchargeable de ce document est également disponible sur [sageappliances.com](http://sageappliances.com).
- Avant une première utilisation, assurez-vous que l'alimentation électrique est identique à celle illustrée sur l'étiquette située en dessous de l'appareil.
- Retirez tout emballage avant la première utilisation et éliminez-le de façon sûre.
- Pour éviter tout risque d'étouffement pour les jeunes enfants, éliminez de manière sûre le couvercle de protection sur la prise de courant.
- Cet appareil est destiné à un usage domestique uniquement. N'utilisez pas l'appareil pour toute autre fin que son utilisation prévue. Ne l'utilisez pas sur un bateau ou dans des véhicules en mouvement. Ne l'utilisez pas à l'extérieur. Une mauvaise utilisation peut engendrer des blessures.
- Déroulez entièrement le cordon d'alimentation avant utilisation.
- Placez l'appareil sur une surface stable, résistante à la chaleur, plane et sèche, loin du bord. Ne l'utilisez pas sur ou à proximité d'une source de chaleur (plaque chauffante, four ou cuisinière au gaz).

**SAGE® RECOMMANDE LA SÉCURITÉ AVANT TOUT**

- Des vibrations pendant l'utilisation peuvent provoquer le déplacement de l'appareil.
- Ne laissez pas le cordon d'alimentation pendre au bord d'un plan de travail ou d'une table, entrer en contact avec des surfaces chaudes ou se nouer.
- Cet appareil ne doit pas être utilisé par des enfants.
- Débranchez toujours l'appareil de la prise secteur lorsqu'il n'est pas utilisé, et avant l'assemblage, le désassemblage ou le nettoyage.
- Les enfants ne doivent pas jouer avec l'appareil.
- Le nettoyage et l'entretien courant de l'appareil ne doivent pas être effectués par des enfants, sauf s'ils sont âgés de 8 ans ou plus et sous la surveillance d'un adulte.
- Gardez l'appareil et son cordon hors de portée des enfants.
- Les personnes ayant des capacités mentales ou physiques réduites ou manquant d'expérience et de connaissances peuvent utiliser l'appareil uniquement sous surveillance, ou si elles ont reçu des instructions concernant l'utilisation sécuritaire de l'appareil et qu'elles comprennent les risques encourus.
- N'utilisez pas l'appareil si le cordon d'alimentation, la prise ou l'appareil est endommagé de quelque manière que ce soit. En cas de dommages ou si un entretien autre que le nettoyage est nécessaire, contactez le service client Sage ou consultez le site [sageappliances.com](http://sageappliances.com).
- Tout entretien autre que le nettoyage doit être réalisé par un centre de services Sage® agréé.
- L'installation d'un interrupteur de protection à courant différentiel résiduel est recommandée pour fournir une sécurité supplémentaire lors de l'utilisation de tous les appareils électriques. Les interrupteurs de protection avec un courant de fonctionnement nominal maximal de 30 mA sont recommandés. Consultez un électricien pour obtenir des conseils professionnels.
- Assurez-vous toujours que l'appareil est correctement assemblé conformément aux instructions avant utilisation. L'utilisation de l'appareil sans qu'il soit correctement assemblé peut provoquer un dysfonctionnement du produit, des dommages au produit ou engendrer un risque de sécurité, notamment des lésions corporelles.

- N'utilisez pas le robot sur des surfaces glissantes, instables ou irrégulières, telles que l'égouttoir d'un évier.
- Gardez vos mains, doigts, cheveux, vêtements, mais aussi les spatules et autres ustensiles éloignés des pièces amovibles ou rotatives lors du fonctionnement.
- N'utilisez pas l'appareil pour toute autre fin qu'une préparation alimentaire ou de boissons.
- Afin d'éviter que l'appareil démarre tout seul à cause de la remise en marche involontaire de la protection contre les surcharges et les dangers potentiels qui en découlent, ne branchez pas de dispositif de commutation supplémentaire externe (comme un minuteur). De plus, veillez à ne pas brancher l'appareil à un circuit pouvant régulièrement mettre l'appareil sous tension et hors tension.
- Nettoyez régulièrement l'appareil. Suivez les instructions de nettoyage indiquées dans ce livret.
- Cet appareil est destiné à un usage domestique uniquement. N'utilisez pas l'appareil pour toute autre fin que son utilisation prévue. Ne l'utilisez pas sur un bateau ou dans des véhicules en mouvement. Ne l'utilisez pas à l'extérieur. Une mauvaise utilisation peut engendrer des blessures.
- N'utilisez jamais d'autres accessoires que ceux fournis avec ce produit ou autorisés par Sage®. Le non-respect de cette consigne peut entraîner un dysfonctionnement de l'appareil, une détérioration de l'appareil ou même des risques pour la sécurité.
- Pour connaître les accessoires en option autorisés par Sage® avec ce produit, lisez les instructions fournies avec l'accessoire, ainsi que les instructions fournies dans ce guide.
- Soyez prudents au moment de retirer la nourriture du bol de l'appareil. Assurez-vous que le moteur, la lame Quad™, la lame de pétrissage ou le disque sont complètement arrêtés avant tout désassemblage. Appuyez sur le bouton « OFF » (Arrêt) pour éteindre le moteur et l'appareil, et débranchez l'appareil de la prise avant de retirer le couvercle du bol. Le bol de préparation doit être déverrouillé de la partie moteur et la lame Quad™, la lame de pétrissage ou les disques doivent être retirés avec prudence, avant tout retrait des aliments préparés.



**SAGE® RECOMMANDE LA SÉCURITÉ AVANT TOUT**

- N'introduisez pas de liquides chauds ou bouillants. Laissez refroidir les liquides avant de les introduire dans le bol de préparation. Des projections de liquide chaud peuvent se produire par effet de vaporisation et provoquer des blessures.
- Assurez-vous que le bouton est sur « OFF » (Arrêt) et que l'appareil est débranché de la prise secteur avant d'installer la lame Quad™, la lame de pétrissage, le disque ou le couvercle.
- Pour éviter tout dysfonctionnement de l'auto-commutateur du bol de préparation, ne positionnez pas le couvercle en position verrouillée quand l'appareil n'est pas utilisé.
- N'introduisez jamais les mains ou les doigts dans le bol du robot tant que le moteur, la lame Quad™, la lame de pétrissage ou les disques ne sont pas complètement arrêtés.
- Les lames et les disques sont extrêmement tranchants, manipulez-les toujours avec précaution. Évitez tout contact avec les pièces en mouvement pendant le fonctionnement. Gardez les mains, les cheveux, les vêtements, les spatules et les autres ustensiles éloignés du goulot d'alimentation du robot pour éviter de vous blesser ou d'endommager le mixeur. Utilisez toujours le poussoir pour pousser les aliments dans le goulot d'alimentation.
- Manipulez avec précaution le robot et ses accessoires. N'oubliez pas que les lames et les disques sont extrêmement tranchants et doivent être gardés hors de portée des enfants.
- Soyez prudents lorsque vous manipulez les lames très coupantes, lorsque vous videz le bol, et lors du nettoyage.
- Ne remplissez pas le bol au-delà des niveaux de liquide indiqués ou de 15 tasses d'ingrédients secs (broyage). Introduisez toujours les aliments les plus secs ou les plus épais avant les liquides dans le bol de préparation.
- Ne retirez jamais le couvercle pendant que le robot fonctionne. Utilisez toujours le bouton « POWER/OFF » (Marche/Arrêt) pour arrêter la machine avant de retirer le couvercle.
- Ne placez pas le robot au bord du plan de travail ou de la table pendant son utilisation. Assurez-vous que la surface est plane, propre et débarrassée de toute trace d'eau, de farine, etc.

- Ne placez aucune pièce du robot dans le four à micro-ondes.
- Ne laissez pas le robot sans surveillance lorsqu'il est en marche.
- Ne déplacez pas le robot en cours de fonctionnement.
- N'utilisez pas d'autres accessoires que ceux fournis avec le robot.
- N'essayez pas de faire fonctionner le robot en utilisant une méthode autre que celles décrites dans ce guide.
- Ne poussez pas les aliments dans le goulot d'alimentation avec vos doigts ou d'autres ustensiles. Utilisez toujours le poussoir fourni.
- Faites toujours fonctionner le robot avec le couvercle correctement positionné.
- Assurez-vous toujours de bien fixer le bol de préparation sur le socle-moteur avant de placer la lame Quad™, la lame de pétrissage ou les disques.
- Ne préparez pas de la glace pilée, que ce soit dans le grand ou le petit bol. Cela endommagerait les lames

(Quad™ ou mini-lame). Nous vous recommandons d'utiliser un mixeur pour faire de la glace pilée.

- Lorsque vous pétrissez de la pâte levée, le temps de fonctionnement du robot ne doit pas excéder 30 secondes. Laissez l'appareil refroidir avant une nouvelle utilisation.
- Les mélanges plus consistants, comme la pâte, peuvent ralentir la rotation de la lame. Dans ce cas, ne laissez pas fonctionner le robot plus de 30 secondes.



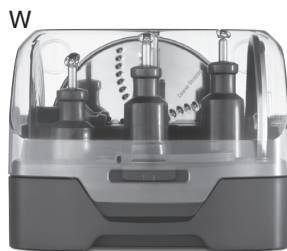
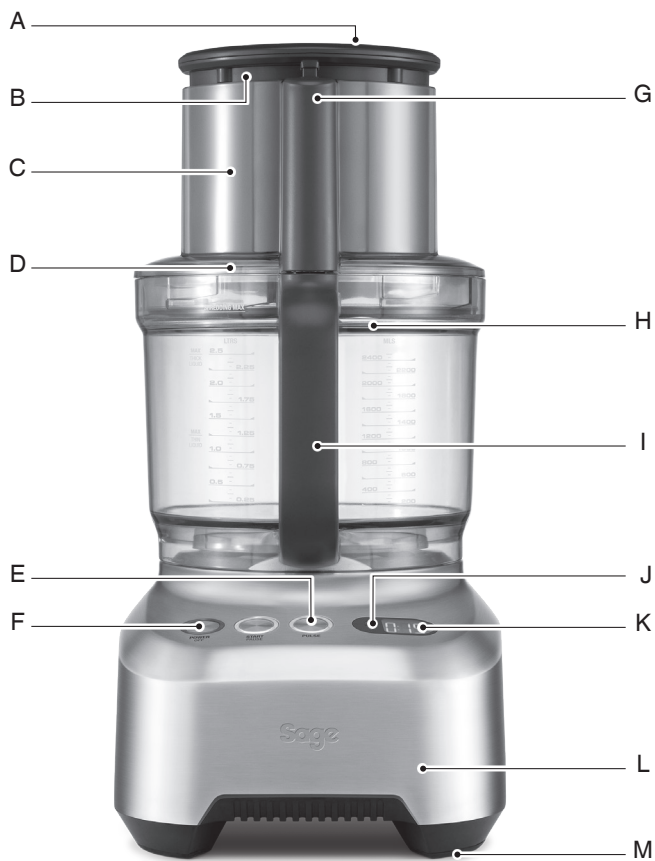
Le symbole illustré indique que cet appareil ne doit pas être jeté aux ordures ménagères. Il doit être amené dans un centre de collecte de déchets des autorités locales désigné à cette fin ou à un revendeur proposant ce service. Pour en savoir plus, veuillez contacter votre municipalité.



Afin d'éviter tout risque de décharge électrique, n'immergez pas la prise électrique, le cordon ou l'appareil dans de l'eau ou tout autre liquide.

**CONSERVEZ CES INSTRUCTIONS**

## COMPOSANTS



## COMPOSANTS

- A. Petit poussoir
- B. Grand poussoir
- C. Goulot d'alimentation à large ouverture
- D. Couvercle du robot
- E. Bouton PULSE (Battement)
- F. Bouton d'alimentation POWER (Marche)/  
OFF (Arrêt)
- G. Système de sécurité du goulot  
d'alimentation
- H. Joint d'étanchéité
- I. Bol avec poignée
- J. Minuteur et compte à rebours
- K. Écran LCD
- L. Socle-moteur avec commande directe
- M. Pieds en caoutchouc antidérapant
- N. Disque à julienne
- O. Coupe-frites
- P. Râpe réversible
- Q. Éminceur réglable
- R. Disque à fouetter ou émulsionner
- S. Système à 4 lames
- T. Lame de pétrissage
- U. Mini-lame
- V. Axe entraîneur
- W. Boîte de rangement avec couvercle

### NON ILLUSTRÉS

- Brosse de nettoyage
- Spatule en plastique
- Mini-bol
- Rangement pour cordon
- Prise Assist de Sage®



**Informations sur la tension nominale**  
220 à 240 V ~ 50 Hz 2 000 W

## ASSEMBLAGE

### AVANT LA PREMIÈRE UTILISATION

Avant d'utiliser votre robot Sage®, familiarisez-vous avec toutes les pièces. Retirez tous les emballages et les étiquettes promotionnelles. Soyez prudent lors de la manipulation des lames et des disques, car ils sont extrêmement coupants. Nettoyez le bol, le couvercle et les autres accessoires avec de l'eau savonneuse tiède. Rincez et séchez soigneusement. Reportez-vous à la section relative à l'entretien et au rangement.

1. Placez le socle-moteur sur une surface sèche et plane. Positionnez le bol sur le socle-moteur en alignant la poignée sur le symbole « ALIGN HANDLE » (Aligner poignée) du socle.



2. Tournez le bol dans le sens horaire jusqu'à ce que la poignée s'aligne avec le symbole « TURN TO LOCK » (Tourner pour verrouiller). Le bol doit être solidement verrouillé en position.



3. Si vous utilisez un disque, installez d'abord l'axe sur la pièce d'entraînement du bol. Orientez le disque de sorte que le côté que vous souhaitez utiliser soit tourné vers le haut. Tenez le disque à l'aide de la mouleure plastique au centre et placez le trou central au-dessus de l'axe de fixation. Appuyez fermement jusqu'à ce que le disque soit bien inséré. Remarque : ces disques s'utilisent uniquement avec le grand bol.

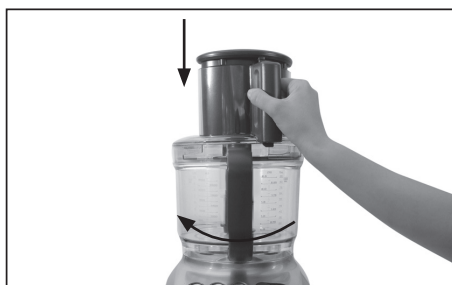


4. Pour utiliser les lames, saisissez avec précaution le système à 4 lames, la lame de pétrissage ou la mini-lame à l'aide du support central en plastique, positionnez l'accessoire sur la pièce d'entraînement du bol, et poussez-le vers le bas jusqu'à ce qu'il soit correctement inséré. Pour la mini-lame, assurez-vous d'abord que le mini-bol est bien assemblé dans le bol principal.



## ASSEMBLAGE

5. Placez le couvercle sur le bol en vous assurant que le goulot se trouve légèrement à droite de la poignée du bol et que les symboles fléchés sont alignés « **ALIGN** ». Tout en tenant le goulot d'alimentation et en appuyant fermement vers le bas, tournez le couvercle dans le sens horaire (comme l'indique le symbole) pour que la languette de verrouillage du couvercle s'enclenche dans le logement de sécurité de la poignée. Le couvercle doit être solidement verrouillé en position.



### REMARQUE

Le robot ne fonctionnera que si le bol et le couvercle sont correctement verrouillés.



### ATTENTION

**Les lames (y compris les mini-lames du bol) et les disques sont extrêmement coupants, manipulez-les toujours avec précaution.**

6. Branchez le cordon d'alimentation à une prise de courant de 220 à 240 V et mettez l'appareil sous tension.
7. À la fin de la préparation, attendez toujours l'arrêt complet des lames ou des disques avant de déverrouiller et de retirer le couvercle. Pour retirer le couvercle, appuyez sur le bouton POWER/OFF (Marche/Arrêt) pour éteindre l'appareil et débranchez le cordon de la prise de courant. Tout en tenant le goulot d'alimentation et en appuyant fermement vers le bas, tournez le couvercle dans le sens inverse des aiguilles d'une montre pour que les symboles fléchés ne soient plus alignés.
8. Retirez le bol (avant de retirer la lame ou les disques) en le tournant dans le sens inverse des aiguilles d'une montre jusqu'à ce que la poignée soit alignée avec « **ALIGN HANDLE** » (Aligner poignée). Soulevez et retirez le bol de l'arbre moteur. Pour retirer un disque, saisissez-le avec précaution à partir de la partie centrale en plastique, puis soulevez-le et éloignez-le de l'axe entraîneur.

### SYSTÈME DE PROTECTION CONTRE LES SURCHARGES

Si le moteur est trop sollicité, le robot passe en mode STANDBY (Veille) et l'icône OVERLOAD (Surcharge) se met à clignoter sur l'écran LCD. Vous pouvez toujours éteindre le robot en appuyant sur le bouton POWER/OFF (Marche/Arrêt). Pour le faire fonctionner de nouveau, laissez l'appareil refroidir pendant environ 30 minutes.

Les mélanges plus consistants, comme la pâte, peuvent ralentir la rotation de la lame de pétrissage. Dans ce cas, ne laissez pas fonctionner le robot pendant plus d'une minute.

## GUIDE DE PRÉPARATION DES ALIMENTS

### REMARQUE

Le robot est extrêmement puissant. Nous vous recommandons d'utiliser la fonction PULSE, si possible, pour empêcher que les préparations ne soient hachées ou fouettées de façon excessive.

ALIMENT	TYPE DE LAME (PÉTRISSAGE/ SYSTÈME À 4 LAMES/MINI)	ÉPAISSEUR DE TRANCHAGE RÉGLABLE	TYPE DE DISQUE RECOMMANDÉ (À FRITES/ RÂPEUR/JULIENNE/ FOUET)
Avocat	Système à 4 lames ou mini-lame Usage : Guacamole	2-5	
Asperge (cuite)	Système à 4 lames ou mini-lame Usage : Sauce aux asperges		
Betterave		2-5	Disque râpeur Usage : Salade
Brocoli (cuit)	Système à 4 lames Usage : Soupe de brocolis		
Chou		Fin : 1-2, moyen : 2-3 Usage : Accompagnement	Disque râpeur Usage : Salade
Carotte	Système à 4 lames ou mini-lame Usage : Soupe de légumes	0-5	Disque râpeur Usage : Salade
Chou-fleur (cuit)	Système à 4 lames ou mini-lame Usage : Soupe de chou-fleur		
Céleri	Système à 4 lames ou mini-lame Usage : Soupe de légumes	Fin : 1-2, moyen : 2-3 Usage : Salade	
Piment	Système à 4 lames ou mini-lame Usage : Assaisonnement		
Aubergine	Système à 4 lames ou mini-lame Usage : Accompagnement, soupe	2-5 Usage : Aubergine grillée	Disque râpeur ou à julienne Usage : Accompagnements pour plats
Ail	Système à 4 lames ou mini-lame Usage : Assaisonnement		
Gingembre	Système à 4 lames ou mini-lame Usage : Assaisonnement		
Fines herbes	Système à 4 lames ou mini-lame Usage : Assaisonnement, pesto		
Poireau	Système à 4 lames ou mini-lame Usage : Soupe (après cuisson)	2-5 Usage : Soupe de légumes	
Laitue		2-4 Usage : Salade	

## GUIDE DE PRÉPARATION DES ALIMENTS

ALIMENT	TYPE DE LAME (PÉTRISSAGE/ SYSTÈME À 4 LAMES/MINI)	ÉPAISSEUR DE TRANCHAGE RÉGLABLE	TYPE DE DISQUE RECOMMANDÉ (À FRITES/ RÂPEUR/JULIENNE/ FOUET)
Champignons (crus)	Système à 4 lames ou mini-lame Usage : Soupe de légumes	4-6 Usage : Salade, soupe de légumes, sauce aux champignons, soupe aux champignons	
Champignons (cuits)	Système à 4 lames Usage : Soupe aux champignons	4-6 Usage : Salade, soupe de légumes, sauce aux champignons, soupe aux champignons	
Oignon	Système à 4 lames ou mini-lame Usage : Soupes, sauces	0-5 Usage : Salade	
Panais	Système à 4 lames ou mini-lame Usage : Soupe de légumes	2-5 Usage : Lasagnes aux légumes	
Panais (cuit)	Système à 4 lames Usage : Accompagnement		
Petits pois (cuits)	Système à 4 lames ou mini-lame Usage : Accompagnement, nourriture pour bébé		
Pommes de terre		0,5-6 Usage : Pommes de terre au four	À frites/râpeur/julienne Usage : Frites
Pommes de terre (cuites)	Système à 4 lames ou mini-lame Usage : Purée, skordaliá		
Épinards	Système à 4 lames ou mini-lame Usage : Accompagnement		
Épinards (cuits)	Système à 4 lames ou mini-lame Usage : Épinards à la crème		
Rutabaga	Système à 4 lames ou mini-lame Usage : Soupe de légumes, velouté de rutabaga		
Tomates	Système à 4 lames ou mini-lame Usage : Sauce salsa	2-5 Usage : Garniture pour sandwich, salade de tomates et bocconcini, relish de tomates	
Courgette		3-6 Usage : Accompagnement, gratin de courgettes	Râpeur (tranchage fin ou épais) Usage : Salade, frittata
Pomme	Système à 4 lames ou mini-lame Usage : Compote de pommes	2-5 Usage : Galette aux pommes	



## GUIDE DE PRÉPARATION DES ALIMENTS

ALIMENT	TYPE DE LAME (PÉTRISSAGE/ SYSTÈME À 4 LAMES/MINI)	ÉPAISSEUR DE TRANCHAGE RÉGLABLE	TYPE DE DISQUE RECOMMANDÉ (À FRITES/ RÂPEUR/JULIENNE/ FOUET)
Pomme (cuite)	Système à 4 lames ou mini-lame Usage : Nourriture pour bébé	4-6 Usage : Salade de fruits	
Banane	Système à 4 lames ou mini-lame Usage : Sauces dessert		
Fruits rouges	Système à 4 lames ou mini-lame Usage : Salade de fruits		
Agrumes	Système à 4 lames ou mini-lame Usage : Confiture de fruits secs		
Zeste d'agrumes	Système à 4 lames ou mini-lame Usage : Confiture de fruits secs		
Fruits secs	Système à 4 lames ou mini-lame Usage : Salade de fruits, sauce dessert		
Kiwi	Système à 4 lames ou mini-lame Usage : Salade de fruits, sauce dessert	4-6 Usage : Décoration pour desserts	
Mangue	Système à 4 lames ou mini-lame Usage : Salade de fruits, sauce dessert		
Melon (melon vert/melon jaune)	Système à 4 lames ou mini-lame Usage : Salade de fruits		
Poire	Système à 4 lames ou mini-lame Usage : Salade de fruits	4-6 Usage : Tarte aux poires	
Poire (cuite)	Système à 4 lames ou mini-lame Usage : Nourriture pour bébé		
Ananas	Système à 4 lames ou mini-lame Usage : Salade de fruits		
Fruits à noyau (abricot, nectarine, pêche, prune)	Système à 4 lames ou mini-lame Usage : Salade de fruits, sauce dessert		
Fraises	Système à 4 lames ou mini-lame Usage : Salade de fruits, sauce dessert		
Pâtes	Pétrissage Usage : Desserts, crêpes		Disque fouet Usage : Desserts, muffins, crêpes

## GUIDE DE PRÉPARATION DES ALIMENTS

ALIMENT	TYPE DE LAME (PÉTRISSAGE/ SYSTÈME À 4 LAMES/MINI)	ÉPAISSEUR DE TRANCHAGE RÉGLABLE	TYPE DE DISQUE RECOMMANDÉ (À FRITES/ RÂPEUR/JULIENNE/ FOUET)
Chapelure	Système à 4 lames ou mini-lame Usage : Panures, garnitures à la chapelure		
Fromage			Râpeur (tranchage fin ou épais) Usage : Fromage râpé
Chocolat	Système à 4 lames ou mini-lame Usage : Ganache au chocolat		Râpeur (tranchage fin ou épais) Usage : Décoration pour desserts
Fromage à la crème	Système à 4 lames ou mini-lame Usage : Sauce, cheesecake		
Pâtes	Pétrissage Usage : Pâtisseries, scones, pain		
Blanc d'œuf, utiliser la fonction PULSE			Disque fouet Usage : Blancs en neige (non recommandé pour la meringue ou le pavlova)
Œufs (durs)	Système à 4 lames ou mini-lame Usage : Garniture pour sandwich	2-5 Usage : Garniture pour sandwich	
Œufs (entiers ou jaunes uniquement), utiliser la fonction PULSE			Disque fouet Usage : Mayonnaise
Crème, utiliser la fonction PULSE			Disque fouet Usage : La fonction PULSE est recommandée pour empêcher que la crème ne soit fouettée de façon excessive
Milk-shakes et smoothies	Système à 4 lames Usage : Fonction PULSE recommandée		
Viande (cru), utiliser la fonction PULSE	Système à 4 lames Usage : Viande hachée, hamburgers		
Viande (cuite), utiliser la fonction PULSE	Système à 4 lames Usage : Garniture pour sandwich, pâté, nourriture pour bébé		
Viande (charcuterie)		1-6 Usage : Sandwichs, hors-d'œuvre, garniture pour pizza	

## ENTRETIEN, NETTOYAGE ET RANGEMENT

### ENTRETIEN ET NETTOYAGE

À la fin de la préparation, éteignez le robot et débranchez le cordon d'alimentation.

#### Socle-moteur

Essayez le socle-moteur avec un chiffon propre et humide après chaque utilisation. Séchez soigneusement avec un chiffon doux et propre.

#### Bol, couvercle et poussoir à aliments

Lavez-les dans de l'eau chaude savonneuse avec un détergent doux. N'utilisez pas d'éponge métallique ou de nettoyeurs abrasifs pour éviter d'endommager la surface en plastique. Les accessoires en plastique peuvent exceptionnellement être mis au lave-vaisselle (panier supérieur uniquement). Cependant, il n'est pas recommandé de les mettre régulièrement au lave-vaisselle : l'exposition prolongée à des détergents puissants et à des températures d'eau élevées risquerait d'endommager le plastique et de réduire sa durée de vie.

#### REMARQUE

Ne mettez pas le poussoir au lave-vaisselle. La chaleur risquerait de le déformer.

#### Système à 4 lames, lame de pétrissage et disques

Lavez à la main le bol et le couvercle. Utilisez la brosse de nettoyage pour retirer les aliments incrustés sur les lames et les disques. La poignée de la brosse peut être utilisée comme grattoir. Pour éviter tout risque de coupure, ne laissez pas le système à 4 lames ou les disques tremper dans de l'eau savonneuse. Le système à 4 lames, la lame de pétrissage, les disques et l'axe entraîneur peuvent également être mis au lave-vaisselle (panier supérieur uniquement).

#### REMARQUE

Le couvercle du système à 4 lames peut être installé sur l'accessoire lorsque vous le placez dans le lave-vaisselle pour une sécurité accrue.



### AVERTISSEMENT

**Le système à 4 lames, la mini-lame, les lames de préparation réglables et les disques sont extrêmement coupants, manipulez-les toujours avec précaution.**

**Ne plongez jamais le socle-moteur, le cordon d'alimentation ou la prise dans de l'eau ou tout autre liquide.**

**Ne rangez jamais votre robot avec le bol en place et le couvercle verrouillé. Vous risqueriez de solliciter inutilement l'interrupteur de fonctionnement automatique sur la poignée du bol et l'interrupteur de sécurité automatique sur le socle-moteur.**

**Ne mettez aucun accessoire du robot au four à micro-ondes.**

## DÉPANNAGE

PROBLÈME	SOLUTION FACILE
<b>Les aliments ne sont pas hachés uniformément</b>	<ul style="list-style-type: none"> <li>• Les ingrédients doivent être coupés en morceaux réguliers de 2,5 cm avant la préparation.</li> <li>• Les ingrédients doivent être préparés en plusieurs fois pour éviter toute surcharge.</li> </ul>
<b>Les tranches sont obliques ou irrégulières</b>	<ul style="list-style-type: none"> <li>• Déposez les aliments dans le goulot d'alimentation. Placez le poussoir sur les aliments et exercez une pression. Appuyez ensuite sur le bouton de démarrage.</li> </ul>
<b>La nourriture déborde du goulot d'alimentation</b>	<ul style="list-style-type: none"> <li>• Le grand goulot d'alimentation doit être bien rempli pour de meilleurs résultats. Pour de plus petites quantités, utilisez le petit goulot d'alimentation.</li> </ul>
<b>Disque à frites</b>	<ul style="list-style-type: none"> <li>• Retirez toujours les pommes de terre bloquées dans le disque à frites avant de préparer d'autres pommes de terre.</li> </ul>
<b>De la nourriture reste sur le disque après la préparation</b>	<ul style="list-style-type: none"> <li>• Il est normal que des petits morceaux demeurent après l'opération.</li> </ul>
<b>Le moteur ralentit lorsqu'il pétrit de la pâte</b>	<ul style="list-style-type: none"> <li>• Il y a peut-être trop de pâte. Enlevez la moitié et procédez en deux fois.</li> <li>• La pâte est peut-être trop humide (consultez la page suivante). Si le moteur accélère, continuez la préparation. Sinon, ajoutez une cuillère à soupe de farine à la fois jusqu'à ce que le moteur tourne normalement. Continuez la préparation jusqu'à ce que la pâte se décolle des bords du bol.</li> </ul>
<b>Le moteur peine à démarrer avec le système à 4 lames</b>	<ul style="list-style-type: none"> <li>• Il y a peut-être trop de viande. Consultez le livret d'instructions pour connaître les quantités maximales. Enlevez de la viande et procédez en deux fois.</li> <li>• Pour un meilleur résultat, enlevez le gras des morceaux de viande avant la préparation.</li> </ul>
<b>Le moteur ne démarre pas</b>	<ul style="list-style-type: none"> <li>• Il y a un loquet de sécurité qui empêche le moteur de démarrer lorsque les pièces ne sont pas correctement assemblées. Assurez-vous que le bol, le couvercle et le poussoir sont bien verrouillés.</li> <li>• Si vous émincez ou râpez et que la solution ci-dessus ne fonctionne pas, assurez-vous que les aliments contenus dans le goulot d'alimentation sont coupés au-dessous du niveau de remplissage maximal pour que la tige d'activation puisse entraîner le moteur.</li> <li>• Si le moteur ne démarre toujours pas, vérifiez le cordon d'alimentation électrique et la prise.</li> </ul>

## DÉPANNAGE

PROBLÈME	SOLUTION FACILE
<b>Le robot s'arrête pendant la préparation</b>	<ul style="list-style-type: none"> <li>Le couvercle s'est peut-être déverrouillé, assurez-vous qu'il est verrouillé et bien en place.</li> <li>Si le moteur surchauffe, l'icône OVERLOAD (Surcharge) se met à clignoter sur l'écran LCD. Éteignez le robot en appuyant sur le bouton POWER/OFF (Marche/Arrêt) et débranchez le cordon d'alimentation. Laissez le robot refroidir pendant 20 à 30 minutes avant de le remettre en route.</li> </ul>
<b>Le moteur ralentit pendant la préparation</b>	<ul style="list-style-type: none"> <li>Ceci est normal en cas de charges lourdes, car elles demandent plus d'efforts au moteur. Repositionnez les aliments dans le goulot et continuez la préparation.</li> <li>La capacité de charge maximale a peut-être été dépassée. Consultez le livret d'instructions pour connaître les quantités maximales. Retirez une partie des ingrédients et continuez la préparation.</li> </ul>
<b>Le robot vibre/se déplace en cours de fonctionnement</b>	<ul style="list-style-type: none"> <li>Assurez-vous que les pieds en caoutchouc, sous l'appareil, sont propres et secs. Vérifiez également que la capacité de charge maximale n'a pas été dépassée.</li> </ul>
<b>La pâte ne se mélange pas complètement avec les ingrédients</b>	<ul style="list-style-type: none"> <li>Pour pétrir de la pâte, assurez-vous de toujours démarrer le robot avant d'ajouter les liquides. Versez les liquides lentement et avec constance afin que les ingrédients secs les absorbent. Si vous avez ajouté trop de liquide, attendez que les ingrédients dans le bol se soient mélangés et versez le liquide restant lentement (n'éteignez pas l'appareil). Versez le liquide sur la pâte par le goulot d'alimentation. Ne le versez jamais directement au fond du bol.</li> </ul>
<b>La pâte est trop dure après le pétrissage</b>	<ul style="list-style-type: none"> <li>Séparez la pâte en deux ou trois parts et répartissez-les bien dans le bol. Faites fonctionner le robot pendant 10 secondes ou jusqu'à ce que la totalité de la pâte soit bien souple et malléable.</li> </ul>
<b>La pâte est trop sèche</b>	<ul style="list-style-type: none"> <li>Pendant que l'appareil fonctionne, ajoutez une cuillère à soupe d'eau à la fois par le petit goulot d'alimentation, jusqu'à ce que la pâte se décolle des bords du bol.</li> </ul>
<b>La pâte est trop humide</b>	<ul style="list-style-type: none"> <li>Pendant que l'appareil fonctionne, ajoutez une cuillère à soupe de farine à la fois par le petit goulot d'alimentation, jusqu'à ce que la pâte se décolle des bords du bol.</li> </ul>

### **GARANTIE LIMITÉE 3 ANS ET GARANTIE LIMITÉE 30 ANS DES MOTEURS**

Sage Appliances garantit ce produit pour un usage domestique sur les territoires spécifiés pendant 3 ans pour toutes les pièces du produit et pendant 30 ans pour le moteur, à compter de la date d'achat, contre les défauts de fabrication et de matériaux. Au cours de cette période de garantie, Sage Appliances s'engage à réparer, remplacer ou rembourser tout produit défectueux (à sa seule discrétion).

Tous les droits de garantie légaux en vertu de la législation nationale applicable seront respectés et ne seront pas compromis par notre garantie. Pour connaître les conditions générales complètes relatives à la garantie ou pour obtenir des instructions sur la manière de déposer une réclamation, rendez-vous sur [www.sageappliances.com](http://www.sageappliances.com).

## DÉCLARATION À L'INTENTION DU CONSOMMATEUR SAGE FRANCE - GARANTIE LIMITÉE

Sage Appliances garantit ce produit pour un usage domestique sur les territoires spécifiés pendant 2 ans à compter de la date d'achat initiale du produit contre les défauts de fabrication et de matériaux. La période de garantie peut-être supérieure pour certains produits ou pour certaines pièces de produits. Au cours de cette période de garantie, Sage Appliances s'engage à réparer, remplacer ou rembourser tout produit défectueux (à sa seule discrétion).

Tous les droits de garantie légaux en vertu de la législation nationale applicable seront respectés et ne seront pas compromis par notre garantie. Pour connaître les conditions générales complètes relatives à la garantie ou pour obtenir des instructions sur la manière de déposer une réclamation, rendez-vous sur [www.sageappliances.com](http://www.sageappliances.com).

Les dispositions de la présente garantie ne sont pas exclusives du bénéfice, au profit de l'acheteur, de la garantie légale de conformité prévue par les articles L. 217-4 et suivants du Code de la consommation, ainsi que de la garantie des vices cachés prévue par les articles 1641 et suivants du Code civil, qui sont en tout état de cause applicables et ce même en l'absence d'application ou en cas d'exclusion de la garantie conventionnelle.



Lorsqu'il agit en garantie légale de conformité, le consommateur :

- bénéficie d'un délai de deux ans à compter de la délivrance du bien pour agir ;
- peut choisir entre la réparation ou le remplacement du bien, sous réserve des conditions de coût prévues par l'article L. 217-9 du code de la consommation ;
- est dispensé de rapporter la preuve de l'existence du défaut de conformité du bien durant les vingt-quatre mois suivant la délivrance du bien.

La garantie légale de conformité s'applique indépendamment de la garantie commerciale éventuellement consentie.

Le consommateur peut décider de mettre en œuvre la garantie contre les défauts cachés de la chose vendue au sens de l'article 1641 du Code civil ; dans cette hypothèse, il peut choisir entre la résolution de la vente ou une réduction du prix de vente conformément à l'article 1644 du Code civil.

### Article L. 217-4 du Code de la consommation :

« Le vendeur livre un bien conforme au contrat et répond des défauts de conformité existant lors de la délivrance. Il répond également des défauts de conformité résultant de l'emballage, des instructions de montage ou de l'installation lorsque celle-ci a été mise à sa charge par le contrat ou a été réalisée sous sa responsabilité. »

### Article L. 217-5 du Code de la consommation :

« Le bien est conforme au contrat : 1° S'il est propre à l'usage habituellement attendu d'un bien semblable et, le cas échéant :

- s'il correspond à la description donnée par le vendeur et possède les qualités que celui-ci a présentées à l'acheteur sous forme d'échantillon ou de modèle ;
- s'il présente les qualités qu'un acheteur peut légitimement attendre eu égard aux déclarations publiques faites par le vendeur, par le producteur ou par son représentant, notamment dans la publicité ou l'étiquetage;

2° Ou s'il présente les caractéristiques définies d'un commun accord par les parties ou est propre à tout usage spécial recherché par l'acheteur, porté à la connaissance du vendeur et que ce dernier a accepté. »

**Article L 217-12 du Code de la consommation:**

« L'action résultant du défaut de conformité se prescrit par deux ans à compter de la délivrance du bien. »

**Article L 217-16 du Code de la consommation:**

« Lorsque l'acheteur demande au vendeur, pendant le cours de la garantie commerciale qui lui a été consentie lors de l'acquisition ou de la réparation d'un bien meuble, une remise en état couverte par la garantie, toute période d'immobilisation d'au moins sept jours vient s'ajouter à la durée de la garantie qui restait à courir. Cette période court à compter de la demande d'intervention de l'acheteur ou de la mise à disposition pour réparation du bien en cause, si cette mise à disposition est postérieure à la demande d'intervention. »

**Article 1641 du Code de la consommation :**

« Le vendeur est tenu de la garantie à raison des défauts cachés de la chose vendue qui la rendent impropre à l'usage auquel on la destine, ou qui diminuent tellement cet usage que l'acheteur ne l'aurait pas acquise, ou n'en aurait donné qu'un moindre prix, s'il les avait connus. »

**Article 1648, al.1er du Code civil :**

« L'action résultant des vices rédhibitoires doit être intentée par l'acquéreur dans un délai de deux ans à compter de la découverte du vice. »



*the Kitchen Wizz Pro™*



NL HANDLEIDING

**Sage®**

2	Belangrijke veiligheidsmaatregelen
6	Onderdelen
8	Montage
10	Voedselverwerkingsgids
14	Onderhoud, reiniging en opslag
15	Problemen oplossen
18	Garantie

# SAGE® STELT VEILIGHEID VOOROP

**Bij Sage® gaan we zeer veiligheidsbewust te werk. Bij het ontwerpen en produceren van onze consumentenproducten staat de veiligheid van onze gewaardeerde klanten voorop. Daarnaast vragen wij u voorzichtig om te gaan met elektrische apparaten en de volgende voorzorgsmaatregelen in acht te nemen.**

## BELANGRIJKE VEILIGHEIDS- MAATREGELEN

**LEES ALLE INSTRUCTIES  
VÓÓR GEBRUIK EN BEWAAR  
DEZE VOOR TOEKOMSTIGE  
NASLAG**

- Een downloadbare versie van dit document is ook beschikbaar op [sageappliances.com](http://sageappliances.com).
- Controleer voor het eerste gebruik of uw elektriciteitsvoorziening dezelfde is als die op het label aan de onderkant van het apparaat.
- Verwijder voor het eerste gebruik het verpakkingsmateriaal en gooi het op een veilige manier weg.
- Gooi het beschermkapje op de stekker op een veilige manier weg om verstikkingsgevaar bij jonge kinderen te voorkomen.
- Dit apparaat is alleen voor huishoudelijk gebruik. Gebruik het apparaat alleen voor het beoogde gebruik. Gebruik het niet in bewegende voertuigen of boten. Gebruik het niet buitenshuis. Verkeerd gebruik kan tot letsel leiden.
- Wikkel het netsnoer volledig af voordat u het apparaat gebruikt.
- Plaats het apparaat op een stabiele, hittebestendige, vlakke, droge ondergrond, weg van de rand, en gebruik het niet op of in de buurt van een warmtebron zoals een kookplaat, oven of gasfornuis.
- Door trillingen tijdens het gebruik kan het apparaat worden verplaatst.
- Zorg dat het netsnoer niet over de rand van een aanrecht of

## SAGE® STELT VEILIGHEID VOOROP

tafel hangt, in aanraking komt met hete oppervlakken of in de knoop raakt.

- Dit apparaat mag niet door kinderen worden gebruikt.
- Ontkoppel het apparaat altijd van de stroomtoevoer wanneer u het niet gebruikt of om het te monteren, demonteren of te reinigen.
- Kinderen mogen niet met het apparaat spelen.
- Reiniging van het apparaat en gebruiksonderhoud mag niet door kinderen worden uitgevoerd, tenzij ze ten minste 8 jaar oud zijn en onder toezicht staan.
- Houd het apparaat en het snoer buiten het bereik van kinderen.
- Het apparaat kan enkel gebruikt worden door personen met beperkte fysieke of mentale capaciteiten of een gebrek aan ervaring en kennis, als zij worden begeleid of instructies hebben gekregen over het veilige gebruik van het apparaat en als zij de gevaren ervan begrijpen.
- Gebruik het apparaat niet als het netsnoer, de stekker of het apparaat op enigerlei wijze beschadigd is. Neem contact op met de klantenservice van Sage of ga naar sageappliances.com als er sprake is van schade en er ander onderhoud dan reiniging is vereist.
- Onderhoud anders dan reiniging moet worden uitgevoerd door een geautoriseerd Sage®-servicecentrum.
- Het wordt aanbevolen een aardlekschakelaar te installeren voor extra veiligheid bij het gebruik van alle elektrische apparaten. Er worden veiligheidsschakelaars met een nominale bedrijfsstroom van niet meer dan 30 mA aanbevolen. Raadpleeg een elektricien voor professioneel advies.
- Controleer vóór gebruik altijd of het apparaat op de juiste manier in elkaar is gezet. Als u een apparaat gebruikt dat niet juist in elkaar is gezet, kan dit leiden tot productstoringen, productschade of veiligheidsrisico's, waaronder lichamelijk letsel.
- Gebruik het apparaat niet op gladde, onstabiele of oneven oppervlakken zoals het afdruipgedeelte van een gootsteen.
- Houd handen, vingers, haar, kleding, maar ook spatels en ander keukengerei tijdens gebruik uit de buurt van bewegende of draaiende onderdelen.

- Gebruik het apparaat alleen voor het bereiden van eten en/ of drinken.
- Sluit geen extern schakelapparaat aan (zoals een timer) en sluit het apparaat niet aan op een circuit dat het apparaat regelmatig aan en uit kan zetten om te voorkomen dat het apparaat vanzelf wordt aangezet als gevolg van het onbedoeld resetten van de overbelastingsbeveiliging.
- Houd het apparaat schoon. Volg de reinigingsinstructies in deze handleiding.
- Dit apparaat is alleen voor huishoudelijk gebruik. Gebruik het apparaat alleen voor het beoogde gebruik. Gebruik het niet in bewegende voertuigen of boten. Gebruik het niet buitenshuis. Verkeerd gebruik kan tot letsel leiden.
- Gebruik nooit hulpstukken of accessoires die niet bij dit product zijn geleverd of die niet door Sage® zijn goedgekeurd voor gebruik met dit product. Als u deze instructie niet volgt, kan dit leiden tot productstoringen, productschade of veiligheidsrisico's.
- Voor optionele accessoires die door Sage® zijn goedgekeurd voor gebruik met dit product, leest u alle instructies die met het accessoire zijn meegeleverd samen met de instructies in dit boekje.
- Voedsel moet altijd met de nodige zorg uit de bereidingskom verwijderd worden nadat de motor, het Quad™-blad, het deegblad of de schijf volledig tot stilstand gekomen zijn voordat u deze demonteert. Zorg ervoor dat de UIT-knop is ingedrukt om de motor uit te schakelen; het apparaat is uitgeschakeld en losgekoppeld, voordat het deksel van de kom wordt verwijderd. De bereidingskom moet dan van de motorbasis losgekoppeld worden en het Quad™-blad, het deegblad of de schijven moeten voorzichtig verwijderd worden voordat u het verwerkte voedsel eruit haalt.
- Gebruik geen hete of kokende vloeistoffen - laat vloeistoffen afkoelen voordat u ze aan de bereidingskom toevoegt. Hete vloeistoffen kunnen wegspatten wat letsels kan veroorzaken door de hitte.
- Zorg dat het apparaat is uitgeschakeld en dat de stekker uit het stopcontact is getrokken voordat u het Quad™-blad, het deegblad, de schijf of het deksel weer monteert.
- Plaats het deksel niet in de vergrendelde positie wanneer het apparaat niet in gebruik is

## SAGE® STELT VEILIGHEID VOOROP

- om slechte functionering van de automatische schakelaar van de bereidingskom te vermijden.
- Plaats geen handen of vingers in de kom van het apparaat totdat de motor, het Quad™-blad, het deegblad of de schijven volledig tot stilstand zijn gekomen.
  - De verwerkingsbladen en -schijven zijn extreem scherp, dus ga hier altijd voorzichtig mee om. Vermijd contact met bewegende onderdelen tijdens het gebruik. Houd handen, haar, kleding, spatels en ander keukengerei uit de vultrechter van het apparaat om persoonlijk letsel of schade aan de mixer te vermijden. Gebruik altijd de meegeleverde fruit- en groentedrukker om voedingselementen door de vultrechter te drukken.
  - Ga voorzichtig om met het apparaat en toebehoren - onthoud dat de bladen en schijven vlijmscherp zijn en buiten het bereik van kinderen moeten gehouden worden.
  - Ga voorzichtig te werk met de scherpe snijbladen of wanneer u de kom leegmaakt of reinigt.
  - Respecteer de maximum markeringen voor vloeistof op de kom of houd u aan 15 cups droge voeding (versnippering). Voeg altijd eerst droge of meer consistente voedingselementen aan de bereidingskom toe alvorens vloeistoffen toe te voegen.
  - Verwijder het deksel nooit terwijl de verwerker in gebruik is. Schakel het apparaat altijd eerst uit met de POWER-knop voordat u het deksel verwijdert.
  - Plaats het apparaat niet aan de rand van een bank of tafel tijdens het gebruik. Zorg ervoor dat het oppervlak vlak en schoon is en vrij van water, bloem, enz.
  - Plaats geen enkel onderdeel van het apparaat in de microgolfoven.
  - Laat het apparaat niet onbeheerd achter tijdens gebruik.
  - Verplaats het apparaat niet tijdens gebruik.
  - Gebruik alleen accessoires die bij het apparaat zijn meegeleverd.

- Probeer het apparaat niet op een andere manier te gebruiken dan beschreven in deze handleiding.
- Gebruik nooit uw vingers of keukengerei om ingrediënten door de vultrechter te duwen. Gebruik altijd de meegeleverde fruit- en groentedrukker.
- Gebruik het apparaat altijd met het deksel vergrendeld in een veilige positie.
- Vergrendel altijd de bereidingskom eerst op het motorstuk voordat u het Quad™-blad, het deegblad of de schijven monteert.
- Maal geen ijsblokjes fijn in de grote of kleine bereidingskommen. Dit zal de bladen beschadigen (Quad™ of klein blad). Wij raden u aan om een blender te gebruiken voor het fijnmalen van ijsblokjes.
- Bij het mengen van gistdeeg mag de duur voor het mengen niet langer zijn dan 30 seconden. Laat het apparaat afkoelen voor het volgende gebruik.
- Bij meer stijve mengsels, zoals deeg, zal het blad trager roteren dan normaal. Indien dit het geval is, beperk dan de duur voor het mengen tot 30 seconden.



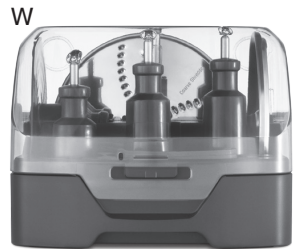
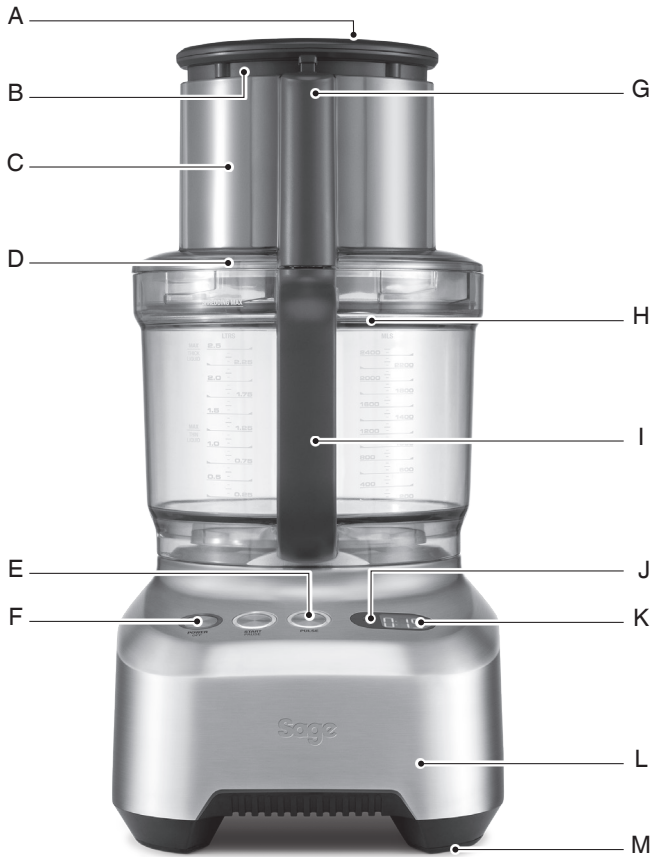
Het weergegeven symbool geeft aan dat dit apparaat niet met het normale huishoudelijk afval mag worden weggegooid. Het moet naar een geschikt plaatselijk afvalverwerkingscentrum worden gebracht of naar een provider die deze service biedt. Neem voor meer informatie contact op met uw gemeente.



Dompel de stekker, het snoer of het apparaat niet onder in water of een andere vloeistof om elektrische schokken te voorkomen.

## BEWAAR DEZE INSTRUCTIES

# ONDERDELEN



## ONDERDELEN

- A. Kleine fruit- en groentedrukker
- B. Grote fruit- en groentedrukker
- C. Extrabrede vultrechter
- D. Deksel
- E. PULSE-knop
- F. POWER-knop
- G. Veiligheidssysteem van vultrechter
- H. Silicone verzegeling
- I. Bereidingskom met handvat
- J. Optel- en afteltimer
- K. LCD-beeldscherm
- L. Rechtstreeks aangedreven motorbasis
- M. Rubberen anti-slipvoet
- N. Julienneschijf
- O. Frietsnijder
- P. Omkeerbare versnipperaar
- Q. Verstelbare versnijder
- R. Opkloppende / emulgerende schijf
- S. Verwerker met 4 bladen
- T. Deegblad
- U. Klein verwerkingsblad
- V. Schijfspoel
- W. Opslagcontainer met deksel

### NIET AFGEBEELD

- Reinigingsborstel
- Plastic spatel
- Kleine bereidingskom
- Snoeropbergruimte
- Sage® Assist-stekker



**Classificatiegegevens**

220 - 240 V ~ 50 Hz 2000 W



## MONTAGE

### VOOR HET EERSTE GEBRUIK

Raak eerst vertrouwd met alle onderdelen voordat u uw Sage® apparaat in gebruik neemt. Verwijder alle verpakkingsmaterialen en promotionele labels, wees voorzichtig met de verwerkingsbladen en -schijven want deze zijn erg scherp. Was de bereidingskom, het deksel en andere toebehoren in warm water met zeep. Spoel en droog alles goed af. (Raadpleeg het onderdeel Onderhoud, reiniging en opslag).

1. Plaats de motorbasis op een vlak, droog oppervlak. Plaats de bereidingskom op de motorbasis door middel van het handvat in lijn met de indicatie **UITLIJNING HANDVAT** op de motorbasis.



2. Draai de bereidingskom rechtsom totdat het handvat uitgelijnd is met de indicatie **DRAAI VOOR VERGRENDLING**. De bereidingskom zou nu stevig in de juiste positie vergrendeld moeten zijn.



3. Indien u een schijf gebruikt, monteer dan eerst de schijfspoel op de aandrijfkoppeling boven de kom. Oriënteer de schijf zodanig dat de zijde die u wenst te gebruiken naar boven gericht is. Houd de schijf vast aan de centrale plastic greep en plaats het centrale gat boven de bevestigingsspoel. Druk stevig naar beneden voor een correcte plaatsing. (Houd er rekening mee dat deze schijven enkel passen in een grotere bereidingskom).

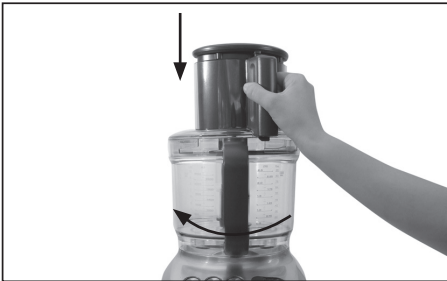


4. Om de verwerkingsbladen te gebruiken, neemt u de verwerker met 4 bladen, het deegblad of het kleine verwerkingsblad voorzichtig vast aan de centrale plastic greep en plaatst u deze boven de kom in de aandrijfkoppeling, druk in voor een correcte plaatsing. Indien u het kleine verwerkingsblad gebruikt, moet u eerst de kleine bereidingskom in de hoofdkom plaatsen.



## MONTAGE

5. Plaats het deksel op de bereidingskom zodat de vultrechter zich aan de rechterkant van het handvat bevindt en de pijlindicaties uitgelijnd zijn **ALLEN** **LOCK**. Houd de vultrechter vast terwijl u stevig naar beneden drukt en het deksel rechtsom draait (zoals aangegeven door de afbeelding) zodat het 'Vergrendelingslipje' op het deksel in de 'Vergrendelbare veiligheidsvanger' op de handgreep valt. Het deksel zou nu stevig in de juiste positie vergrendeld moeten zijn.



### OPMERKING

Het apparaat zal niet in werking treden voordat zowel de bereidingskom als het deksel in de juiste positie vergrendeld zijn.



### LET OP

**De verwerkingsbladen en -schijven zijn extreem scherp, dus ga hier altijd voorzichtig mee om.**

6. Steek de stekker in een stopcontact van 220-240 V en schakel het apparaat in.
7. Wacht na de verwerking altijd tot de bladen of schijven volledig gestopt zijn met draaien voordat u het deksel ontgrendelt en verwijdert. Om het verwerkingsdeksel te verwijderen, controleert u of de POWER-knop is ingedrukt, of het apparaat is uitgeschakeld en of de stekker uit het stopcontact is getrokken. Terwijl u de vultrechtersvasthoudt en tegelijkertijd stevig indrukt, draait u het deksel tegen de klok in zodat de pijltjes niet langer uitgelijnd zijn.
8. Verwijder de bereidingskom (voordat u het blad of de schijven verwijdert) door linksom te draaien totdat het handvat in lijn is met **UITLIJNING HANDVAT**. Neem de kom van de motorbasis. Voor het verwijderen van de schijven: grijp voorzichtig aan de plastic greep in het midden van de schijf en hef de schijf op en weg van de pin van de spoel.

## OVERBELASTINGSBEVEILIGING

Wanneer de motor overbelast is, zal het apparaat overschakelen op **STANDBY**-modus en zal het **OVERLOAD**-icoon (overbelast) beginnen te knipperen op het LCD-beeldscherm. Het apparaat kan nog steeds uitgeschakeld worden door op de **POWER**-knop te drukken. Laat het apparaat ongeveer 30 minuten afkoelen voordat u het terug in gebruik neemt.

Bij meer stijve mengsels, zoals deeg, zal het blad trager roteren dan normaal. Indien dit het geval is, beperk dan de duur voor het mengen tot 1 minuut.

## VOEDSELVERWERKINGSGIDS

### OPMERKING

Omdat het apparaat een zeer krachtig vermogen heeft, wordt het aangeraden om de PULSE-functie te gebruiken om te vermijden dat de ingrediënten te fijn gehakt zijn of te lang opgeklopt worden.

ETEN	BLADTYPE (DEEG/VERWERKER MET 4 BLADEN/MINI)	AANPASBARE VERSNIJDIJNDSDIKTE VAN BLAD	AANBEVOLEN SCHIJFTYPE (FRIET/ VERSNIPPEREN/ JULIENNE/ OPKLOPPEN)
Avocado	Gebruik verwerker met 4 bladen of mini: Guacamole	2 - 5	
Asperges (gekookt)	Gebruik verwerker met 4 bladen of mini: Dip van asperges		
Rode biet		2 - 5	Voor versnipperen: Salade
Broccoli (gekookt)	Verwerker met 4 bladen Gebruik: Broccolisoepp		
Kool		Dun 1 - 2 en medium 2 - 3: Toevoegingen	Voor versnipperen: Salade
Wortel	Gebruik verwerker met 4 bladen of mini: Groentesoep	0 - 5	Voor versnipperen: Salade
Bloemkool (gekookt)	Gebruik verwerker met 4 bladen of mini: Bloemkoolsoep		
Selderij	Gebruik verwerker met 4 bladen of mini: Groentesoep	Dun 1 - 2 medium 2 - 3 Gebruik: Salade	
Chilli	Gebruik verwerker met 4 bladen of mini: Kruiding		
Aubergine	Verwerker met 4 bladen of mini Gebruik: Toevoegingen, soepen	2 - 5 Gebruik: Gegrilde aubergine	Voor versnippering of julienne: Toevoeging aan gerechten
Look	Gebruik verwerker met 4 bladen of mini: Kruiding		
Gember	Gebruik verwerker met 4 bladen of mini: Kruiding		
Kruiden	Gebruik verwerker met 4 bladen of mini: Kruiding van pesto		
Prei	Verwerker met 4 bladen of mini Gebruik: Gekookt voor soepen	2 - 5 Gebruik: Groentesoep	
Sla		2 - 4 Gebruik: Salade	
Paddestoelen (rauw)	Verwerker met 4 bladen of mini Gebruik: Groentesoep	4 - 6 Gebruik: Salade, groentesoep, saus van paddestoelen, paddestoelensoep	

## VOEDSELVERWERKINGSGIDS

ETEN	BLADTYPE (DEEG/VERWERKER MET 4 BLADEN/MINI)	AANPASBARE VERSNIJDINGSDIKTE VAN BLAD	AANBEVOLEN SCHIJFTYPE (FRIET/ VERSNIPPEREN/ JULIENNE/ OPKLOPPEN)
Paddestoelen (gekookt)	Verwerker met 4 bladen Gebruik: Paddestoelensoep	4 - 6 Gebruik: Salade, groentesoep, saus van paddestoelen, paddestoelensoep	
Ajuin	Gebruik verwerker met 4 bladen of mini: Soepen, sauzen	0 - 5 Gebruik: Salade	
Pastinaak	Verwerker met 4 bladen of mini Gebruik: Groentesoep	2 - 5 Gebruik: Groentelasagne	
Pastinaak (gekookt)	Gebruik verwerker met 4 bladen: Toevoegingen		
Erwten (gekookt)	Gebruik verwerker met 4 bladen of mini: Toevoegingen, babyvoeding		
Aardappelen		0,5 - 6 Gebruik: Aardappelschotel	Gebruik friet/julienne/ versnipperaar: Frieten
Aardappelen (gekookt)	Verwerker met 4 bladen of mini Gebruik: Aardappelpuree, skordallia		
Spinazie	Gebruik verwerker met 4 bladen of mini: Toevoegingen		
Spinazie (gekookt)	Gebruik verwerker met 4 bladen of mini: Spinazie met room		
Koolraap	Gebruik verwerker met 4 bladen of mini: Groentesoep, koolraap met room		
Tomaten	Gebruik verwerker met 4 bladen of mini: Salsa	2 - 5 Gebruik: vulling voor broodjes, salade met tomaat en mozzarella, tomatensaus	
Courgette		3 - 6 Gebruik: Toevoegingen, courgetteschijfjes, gratin	Versnipperaar - Grof of fijn: Salade, frittata
Appel	Verwerker met 4 bladen of mini Gebruik: Appelsaus	2 - 5 Gebruik: Appeltaart	
Appel (gekookt)	Verwerker met 4 bladen of mini Gebruik: Babyvoeding	4 - 6 Gebruik: Fruitsalade	
Banaan	Verwerker met 4 bladen of mini Gebruik: Dessertsauzen		
Bosbessen	Verwerker met 4 bladen of mini Gebruik: Fruitsalade		
Citrusfruit	Verwerker met 4 bladen of mini Gebruik: Fruitpuree		

## VOEDSELVERWERKINGSGIDS

ETEN	BLADTYPE (DEEG/VERWERKER MET 4 BLADEN/MINI)	AANPASBARE VERSNIJDINGSDIKTE VAN BLAD	AANBEVOLEN SCHIJFTYPE (FRIET/ VERSNIPPEREN/ JULIENNE/ OPKLOPPEN)
Citruschil	Verwerker met 4 bladen of mini Gebruik: Fruitpuree		
Gedroogd fruit	Verwerker met 4 bladen of mini Gebruik: Fruitsalade, dessertsaus		
Kiwi	Verwerker met 4 bladen of mini Gebruik: Fruitsalade, dessertsaus	4 - 6 Gebruik: Dessertdecoratie	
Mango	Verwerker met 4 bladen of mini Gebruik: Fruitsalade, dessertsaus		
Meloen (Suikermeloen/ cantaloupe)	Verwerker met 4 bladen of mini Gebruik: Fruitsalade		
Peer	Verwerker met 4 bladen of mini Gebruik: Fruitsalade	4 - 6 Gebruik: Perentaart	
Peer (gekookt)	Verwerker met 4 bladen of mini Gebruik: Babyvoeding		
Ananas	Verwerker met 4 bladen of mini Gebruik: Fruitsalade		
Steenvruchten (abrikoos, nectarine, perzik, pruim)	Verwerker met 4 bladen of mini Gebruik: Fruitsalade, dessertsaus		
Aardbeien	Verwerker met 4 bladen of mini Gebruik: Fruitsalade, dessertsaus		
Beslag	Deeg Gebruik: Cakes, pannekoeken		Opkloppen Gebruik: cakes, muffins, pannekoeken
Paneermeel	Verwerker met 4 bladen of mini Gebruik: Afdeklaag, vulling met paneermeel		
Kaas			Versnipperaar - Grof of fijn Gebruik: Geraspte kaas
Chocolade	Verwerker met 4 bladen of mini Gebruik: Chocolade ganache		Versnipperaar - Grof of fijn Gebruik: Dessertdecoratie
Roomkaas	Verwerker met 4 bladen of mini Gebruik: Dips, kaastaart		

## VOEDSELVERWERKINGSGIDS

ETEN	BLADTYPE (DEEG/VERWERKER MET 4 BLADEN/MINI)	AANPASBARE VERSNIJDINGSDIKTE VAN BLAD	AANBEVOLEN SCHIJFTYPE (FRIET/ VERSNIPPEREN/ JULIENNE/ OPKLOPPEN)
Deeg	Deeg Gebruik: Patisserie, scones, brood		
Voor eiwitten gebruikt u de PULSE-functie			Opkloppen Gebruik: Stijfgeklopt eiwit (niet aanbevolen voor meringue, pavlova)
Eieren (hardgekookt)	Verwerker met 4 bladen of mini Gebruik: Vulling voor broodjes	2 - 5 Gebruik: vulling voor broodjes	
Voor eieren (geheel of eigeel) gebruikt u de PULSE-functie			Opkloppen Gebruik: Mayonaise
Voor room gebruikt u de PULSE-functie			Opkloppen Gebruik: PULSE- functie wordt aanbevolen om te lang opkloppen te vermijden
Milkshakes en smoothies	Verwerker met 4 bladen Gebruik: PULSE-functie wordt aanbevolen		
Voor vlees (rauw) gebruikt u de PULSE-functie	Verwerker met 4 bladen Gebruik: Gehaktbrood, hamburgers		
Voor vlees (gekookt) gebruikt u de PULSE-functie	Verwerker met 4 bladen Gebruik: Vulling voor broodjes, paté, babyvoeding		
Vlees (delicatessen)		1 - 6 Gebruik: Broodjes, antipasto, pizza toppings	

## ONDERHOUD, REINIGING EN OPSLAG

### ONDERHOUD EN REINIGING

Schakel, na de verwerking, het apparaat uit en trek vervolgens de stekker uit het stopcontact.

#### Motorbasis

Veeg de motorbasis schoon met een zachte, vochtige doek na elk gebruik. Droog deze grondig af met een zachte, schone doek.

#### Bereidingskom, deksel en fruit- en groentedrukker

Was af met de hand in warm zeepsop met een zacht vloeibaar afwasmiddel. Gebruik geen schurende spons of schoonmaakmiddelen want deze zullen het plastic oppervlak beschadigen. De plastic onderdelen mogen af en toe in de vaatwasser worden afgewassen (enkel in de bovenste lade). Het wordt niet aangeraden op regelmatige basis, omdat langdurige blootstelling aan warmwatertemperaturen en agressieve reinigingsmiddelen het plastic zullen beschadigen en de levensduur ervan zullen verkorten.

#### OPMERKING

Plaats de fruit- en groentedrukker niet in de vaatwasser want deze zal vervormen door de hitte.

#### Verwerker met 4 bladen, deegblad en schijven

Was de kom en het deksel af met de hand. Gebruik de bijgeleverde reinigingsborstel om hardnekkige voedselresten van de bladen en schijven te verwijderen. Het uiteinde van het borstelhandvat dient voor het afschrappen van resten. Laat de verwerker met 4 bladen of schijven niet weken in zeepsop om snijwonden te vermijden. De verwerker met 4 bladen, deegblad, schijven en spoel mogen ook in de vaatwasser worden afgewassen (enkel in de bovenste lade).

#### OPMERKING

De afdekking van de verwerker met 4 bladen kan op de verwerker gemonteerd worden voor extra veiligheid in de vaatwasser.



### WAARSCHUWING

***De verwerker met 4 bladen, mini en aanpasbare verwerkingsbladen en -schijven zijn extreem scherp, dus ga hier altijd voorzichtig mee om.***

***Dompel de motorbasis, het netsnoer of stekker nooit onder in water of andere vloeistof.***

***Berg het apparaat nooit op met de kom en het deksel in de vergrendelde positie. Dit zou onnodige belasting veroorzaken voor de automatische bedieningsschakelaar op het handvat van de bereidingskom en voor de automatische veiligheidsschakelaar van de motorbasis.***

***Plaats geen enkel onderdeel van het apparaat in de microgolfoven.***

## PROBLEMEN OPLOSSEN

PROBLEEM	EENVOUDIGE OPLOSSING
<b>De ingrediënten worden ongelijk verwerkt</b>	<ul style="list-style-type: none"> <li>• Ingrediënten zouden in gelijke stukken van 2,5 cm gesneden moeten worden vooraleer ze te verwerken in het apparaat.</li> <li>• Ingrediënten moeten in kleinere hoeveelheden verwerkt worden om overbelasting te vermijden.</li> </ul>
<b>Schijfjes zijn scheef of ongelijk</b>	<ul style="list-style-type: none"> <li>• Voeg ingrediënten toe aan de vultrechter. Plaats de drukker op het voedsel en druk naar beneden. Druk daarna op start.</li> </ul>
<b>Ingrediënten vallen om in de vultrechter</b>	<ul style="list-style-type: none"> <li>• De brede vultrechter moet volledig gevuld worden voor de beste resultaten. Indien er kleinere hoeveelheden verwerkt worden, gebruik dan de kleine vultrechter.</li> </ul>
<b>Snipperschijf</b>	<ul style="list-style-type: none"> <li>• Verwijder altijd eerst achtergebleven aardappelresten van de snipperschijf voordat u meer aardappelen verwerkt.</li> </ul>
<b>Er blijven voedselresten achter op de schijf na verwerking</b>	<ul style="list-style-type: none"> <li>• Het is normaal dat kleine stukjes achterblijven na de verwerking.</li> </ul>
<b>De motor vertraagt wanneer er deeg gemengd wordt</b>	<ul style="list-style-type: none"> <li>• De hoeveelheid deeg kan de maximale capaciteit overschrijden. Verwijder de helft en verwerk in twee keer.</li> <li>• Het deeg kan te nat zijn (zie volgende pagina). Indien de motor opnieuw versnelt, ga dan door met verwerken. Indien niet, voeg meer bloem toe, 1 eetlepel per keer totdat de motor opnieuw versnelt. Verwerk zolang tot de resten aan de binnenzijde van de bereidingskom verdwenen zijn.</li> </ul>
<b>De motor start traag met de verwerker met 4 bladen</b>	<ul style="list-style-type: none"> <li>• De hoeveelheid vlees kan de maximale capaciteit overschreden hebben. Raadpleeg de instructies voor maximale hoeveelheden. Verwijder de helft van het vlees en verwerk in twee keer.</li> <li>• Houd er rekening mee dat voor de beste resultaten het vet van het vlees moet verwijderd worden voor de verwerking.</li> </ul>
<b>De motor wilt niet starten</b>	<ul style="list-style-type: none"> <li>• Er is een veiligheidsvergrendelingsschakelaar die voorkomt dat de motor start voordat de onderdelen correct werden gemonteerd. Zorg ervoor dat de bereidingskom, het deksel en de drukker vergrendeld zijn in de veilige positie.</li> <li>• Indien u versnijdt in schijfjes of versnippert en het voorgaande advies niet werkt, zorg er dan voor dat het voedsel in de vultrechter onder de lijn van de maximale vulcapaciteit is zodat de activeringshengel de motor kan opstarten.</li> <li>• Indien de motor nog steeds niet opstart, controleer dan het netsnoer en het stopcontact.</li> </ul>



## PROBLEMEN OPLOSSEN

PROBLEEM	EENVOUDIGE OPLOSSING
<b>Het apparaat stopt tijdens de verwerking</b>	<ul style="list-style-type: none"> <li>• Het deksel kan ontgrendeld geraakt zijn, controleer het en zorg ervoor dat het in de juiste positie vergrendeld is.</li> <li>• Wanneer de motor overbelast is, zal het OVERLOAD-icoon (overbelast) beginnen te knipperen op het LCD-beeldscherm. Schakel het apparaat uit door op de POWER-knop te drukken en trek de stekker uit het stopcontact. Laat het apparaat voor 20 – 30 minuten afkoelen voordat u de verwerking herneemt.</li> </ul>
<b>De motor vertraagt tijdens de verwerking</b>	<ul style="list-style-type: none"> <li>• Dit is normaal want een zwaardere inhoud vereist meer vermogen van de motor. Herschik het voedsel in de vultrechter en ga verder met verwerken.</li> <li>• De maximale vulcapaciteit kan overschreden zijn. Raadpleeg de instructies voor maximale hoeveelheden. Verwijder enkele ingrediënten en ga verder met verwerken.</li> </ul>
<b>Het apparaat vibreert/beweegt tijdens de verwerking</b>	<ul style="list-style-type: none"> <li>• Zorg ervoor dat de rubberen voet aan de onderzijde van het apparaat schoon en droog is. Zorg er eveneens voor dat de maximale vulcapaciteit niet overschreden wordt.</li> </ul>
<b>Niet alle ingrediënten van het deeg werden vermengd</b>	<ul style="list-style-type: none"> <li>• Wanneer u deeg kneedt, zorg er dan voor dat het apparaat gestart is voordat u vloeistof toevoegt. Voeg de vloeistof toe in een traag en gelijkmatig tempo zodat de droge ingrediënten deze kunnen opnemen. Wanneer te veel vloeistof werd toegevoegd, wacht dan totdat de ingrediënten in de bereidingskom gemengd zijn, voeg daarna de resterende vloeistof traag toe (schakel het apparaat niet uit). Giet de vloeistof op het deeg wanneer het de opening van de vultrechter passeert, giet geen vloeistof rechtstreeks op de bodem van de bereidingskom.</li> </ul>
<b>Deeg voelt hard aan na het kneden</b>	<ul style="list-style-type: none"> <li>• Deel het deeg in 2 of 3 stukken en verdeel deze gelijkmatig in de bereidingskom. Laat 10 seconden verwerken of totdat het zacht en soepel is.</li> </ul>
<b>Deeg is te droog</b>	<ul style="list-style-type: none"> <li>• Voeg, terwijl het apparaat in werking is, water toe via de kleine vultrechter, 1 eetlepel per keer totdat het deeg de resten aan de binnenzijde van de kom heeft opgenomen.</li> </ul>
<b>Deeg is te nat</b>	<ul style="list-style-type: none"> <li>• Voeg, terwijl het apparaat in werking is, bloem toe via de kleine vultrechter, 1 eetlepel per keer totdat het deeg de resten aan de binnenzijde van de kom heeft opgenomen.</li> </ul>

### **BEPERKTE GARANTIE VAN 3 JAAR EN BEPERKTE GARANTIE OP DE MOTOR VAN 30 JAAR**

Sage Appliances biedt een garantie op dit product voor huishoudelijk gebruik in genoemde gebieden gedurende 3 jaar op alle productonderdelen en 30 jaar op de motor van het product vanaf de datum van aankoop tegen defecten veroorzaakt door gebrekkige afwerking en materialen. Gedurende deze garantieperiode zal Sage Appliances defecte producten repareren, vervangen of terugbetalen (naar eigen goeddunken van Sage Appliances).

Alle wettelijke garantierechten onder de toepasselijke nationale wetgeving worden gerespecteerd en onze garantie doet geen afbreuk aan deze rechten. Voor de algemene voorwaarden van de garantie, evenals instructies over hoe u aanspraak maakt op de garantie, gaat u naar [www.sageappliances.com](http://www.sageappliances.com).

*the Kitchen Wizz Pro™*



IT MANUALE UTENTE

**Sage®**

2	Norme di sicurezza importanti
6	Componenti
8	Montaggio
10	Guida alla lavorazione degli alimenti
14	Manutenzione, pulizia e conservazione
15	Risoluzione dei problemi
18	Garanzia

# SAGE® CONSIGLIA: LA SICUREZZA PRIMA DI TUTTO

**In Sage® abbiamo molto a cuore la sicurezza. Creiamo e commercializziamo prodotti di consumo tenendo sempre presente la sicurezza dei nostri clienti. Inoltre, invitiamo i clienti a prestare molta attenzione durante l'utilizzo degli apparecchi elettrici e a osservare le seguenti precauzioni.**

## NORME DI SICUREZZA IMPORTANTI

**LEGGERE TUTTE LE  
ISTRUZIONI PRIMA DELL'USO  
E CONSERVARLE PER  
CONSULTARLE IN FUTURO**

- Sul sito [Web.sageappliances.com](http://Web.sageappliances.com) è disponibile anche una versione scaricabile del presente documento
- Prima di usare l'apparecchio per la prima volta, verificare che la tensione della rete corrisponda a quella indicata sull'etichetta sotto il dispositivo.
- Rimuovere e smaltire in sicurezza tutti i materiali di imballaggio prima di utilizzare l'apparecchio per la prima volta.
- Per eliminare il rischio di soffocamento per i bambini, smaltire in sicurezza la copertura protettiva della spina.
- Questo apparecchio è destinato esclusivamente all'uso domestico. Non utilizzare per usi diversi da quello previsto. Non utilizzare su veicoli in movimento o barche. Non utilizzare all'aperto. L'uso non corretto potrebbe provocare lesioni.
- Svolgere completamente il cavo prima dell'uso.
- Posizionare l'elettrodomestico su una superficie stabile, resistente al calore, piana e asciutta, lontano dal bordo della superficie. Utilizzare l'apparecchio lontano da fonti di calore come piastre elettriche, fornelli a gas o forni.
- Le vibrazioni durante il funzionamento potrebbero

**SAGE® CONSIGLIA: LA SICUREZZA PRIMA DI TUTTO**

- causare lo spostamento dell'elettrodomestico.
- Evitare che il cavo di alimentazione rimanga sospeso oltre il bordo di un tavolo o un banco da lavoro, tocchi superfici calde o forni nodi.
  - L'elettrodomestico non deve essere utilizzato dai bambini.
  - Scollegare sempre l'apparecchio dalla rete se lasciato incustodito e prima di montaggio, smontaggio o pulizia.
  - Non lasciare che i bambini giochino con l'elettrodomestico.
  - La pulizia e la manutenzione dell'elettrodomestico possono essere effettuate da bambini di età non inferiore a 8 anni e con la supervisione di un adulto.
  - Tenere l'elettrodomestico e il cavo fuori dalla portata dei bambini.
  - L'elettrodomestico può essere utilizzato da persone con ridotte capacità motorie o mentali o prive di esperienza o conoscenza dell'elettrodomestico stesso, a condizione che queste ultime lo utilizzino sotto la supervisione di qualcuno o secondo specifiche istruzioni ricevute in merito all'uso in sicurezza dell'elettrodomestico e che comprendano i rischi associati.
  - Non utilizzare l'elettrodomestico se il cavo di alimentazione, la spina o l'elettrodomestico stesso presentano danni di qualsiasi tipo. Se l'elettrodomestico è danneggiato o richiede un intervento di manutenzione diverso dalla pulizia, contattare il Servizio clienti Sage o visitare il sito [Web.sageappliances.com](http://Web.sageappliances.com).
  - Qualsiasi operazione di manutenzione diversa dalla pulizia deve essere eseguita da un centro assistenza Sage® autorizzato.
  - Si consiglia l'installazione di un interruttore salvavita per una maggiore sicurezza durante l'utilizzo di tutti i dispositivi elettrici. Si consiglia l'uso di un salvavita con corrente operativa nominale non superiore a 30 mA. Rivolgersi a un elettricista per un parere professionale.
  - Prima dell'uso, verificare sempre che l'elettrodomestico sia montato correttamente. La mancata osservazione di questa istruzione può causare problemi di funzionamento, danni al prodotto o rischi per la sicurezza, compreso il pericolo di lesioni personali.
  - Non utilizzare il robot da cucina su superfici scivolose, instabili o irregolari come il pianale di un lavello.

- Durante il funzionamento, non avvicinare mani, dita, capelli, indumenti e spatole o altri utensili da cucina alle parti mobili o rotanti.
- Utilizzare l'elettrodomestico solo per la preparazione di cibi e/o bevande.
- Per evitare il possibile rischio di avvio automatico dell'elettrodomestico in seguito alla reimpostazione accidentale della protezione da sovraccarico, non collegare l'elettrodomestico a un dispositivo di commutazione esterno (ad esempio un timer) o a un circuito che può accendere o spegnere il dispositivo a intervalli regolari.
- Mantenere pulito l'apparecchio. Seguire le istruzioni di pulizia fornite in questo manuale.
- Questo apparecchio è destinato esclusivamente all'uso domestico. Non utilizzare per usi diversi da quello previsto. Non utilizzare su veicoli in movimento o barche. Non utilizzare all'aperto. L'uso non corretto potrebbe provocare lesioni.
- Non utilizzare mai prolunghe o accessori non forniti con il prodotto o non autorizzati da Sage® per l'utilizzo con questo prodotto. La mancata osservazione di questa istruzione può causare problemi di funzionamento, danni al prodotto o persino rischi per la sicurezza.
- Per gli accessori opzionali autorizzati da Sage® per l'utilizzo con questo prodotto, leggi tutte le istruzioni fornite con l'accessorio oltre alle istruzioni contenute nel presente manuale.
- Prestare attenzione quando si rimuovono gli alimenti dalla ciotola di lavorazione assicurandosi che il motore, la lama Quad™, la lama impastatrice o il disco siano completamente fermi prima di smontarli. Prima di rimuovere il coperchio dalla ciotola, assicurarsi di avere premuto il pulsante OFF per spegnere il motore, che l'apparecchio sia spento e che il cavo sia scollegato dalla presa. Prima di rimuovere gli alimenti lavorati, è necessario sbloccare la ciotola di lavorazione dal corpo motore e rimuovere con attenzione la lama Quad™, la lama impastatrice o i dischi.
- Non sottoporre a lavorazione liquidi molto caldi o bollenti: è necessario lasciarli raffreddare prima di versarli nella ciotola di lavorazione. Il liquido bollente potrebbe essere espulso, provocando lesioni a causa del vapore improvviso.

**SAGE® CONSIGLIA: LA SICUREZZA PRIMA DI TUTTO**

- Prima di montare la lama Quad™, la lama impastatrice, il disco o il coperchio di lavorazione, assicurarsi che il robot da cucina sia spento e che il cavo sia scollegato dalla presa.
- Per evitare possibili malfunzionamenti del sensore automatico della ciotola di lavorazione, non posizionare il coperchio di lavorazione nella posizione di blocco quando l'apparecchio non è in uso.
- Non mettere le mani o le dita nella ciotola del robot da cucina, a meno che il motore, la lama Quad™, la lama impastatrice o i dischi non si siano arrestati completamente.
- Le lame e i dischi sono estremamente affilati: maneggiarli sempre con la massima cura. Evitare il contatto con le parti in movimento durante il funzionamento. Tenere le mani, i capelli, i vestiti, le spatole e gli altri utensili lontano dall'imbuto del robot da cucina per evitare lesioni personali o danni al mixer. Utilizzare sempre l'apposito spingitore per premere gli ingredienti nell'imbuto.
- Maneggiare con cura il robot da cucina e gli accessori: le lame e i dischi sono affilati come rasoi e devono essere tenuti fuori dalla portata dei bambini.
- Prestare attenzione quando si maneggiano le lame affilate, si svuota la ciotola e durante la pulizia.
- Non riempire la ciotola oltre i livelli massimi di liquido contrassegnati o il livello di 15 tazze per gli alimenti secchi (macinatura). Aggiungere sempre gli ingredienti più secchi o più densi alla ciotola di lavorazione prima di quelli liquidi.
- Non rimuovere mai il coperchio mentre il robot è in funzione. Utilizzare sempre il pulsante POWER/OFF (alimentazione) per arrestare la macchina prima di rimuovere il coperchio.
- Non posizionare il robot da cucina vicino al bordo di un banco o di un tavolo durante il funzionamento. Assicurarsi che la superficie sia piana, pulita e priva di acqua, farina ecc.
- Non mettere alcun componente del robot da cucina nel forno a microonde.

- Non lasciare il robot da cucina incustodito durante il funzionamento.
- Non spostare robot da cucina mentre è in funzione.
- Utilizzare esclusivamente gli accessori forniti in dotazione.
- Attenersi scrupolosamente alle istruzioni riportate nel presente manuale per utilizzare il robot da cucina.
- Non spingere gli ingredienti nell'imbuto con le dita o con altri utensili. Utilizzare sempre l'apposito spingitore fornito in dotazione.
- Utilizzare sempre il robot da cucina con il coperchio di lavorazione bloccato in posizione.
- Prima di montare la lama Quad™, la lama impastatrice o i dischi, fissare sempre la ciotola di lavorazione alla base del motore.
- Non tritare ghiaccio nella ciotola di lavorazione grande o piccola. Ciò causerà danni alle lame (lama Quad™ o mini). Per tritare il ghiaccio si consiglia di utilizzare un frullatore.
- Quando si mescola un impasto lievitato, il tempo di funzionamento del robot da cucina non deve superare i 30 secondi. Lasciare raffreddare l'elettrodomestico prima del successivo utilizzo.
- Alcune miscele dure, come gli impasti, possono far ruotare la lama più lentamente del normale. In questi casi, non prolungare la lavorazione oltre 30 secondi.



Questo simbolo indica che l'apparecchio non può essere smaltito con i rifiuti domestici comuni. Deve essere conferito presso un centro di smaltimento locale specializzato o presso un rivenditore che fornisce questo servizio. Per ulteriori informazioni, contattare l'ufficio comunale locale.

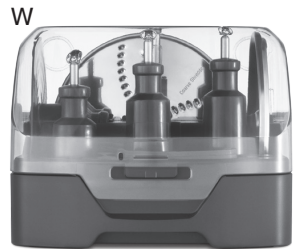
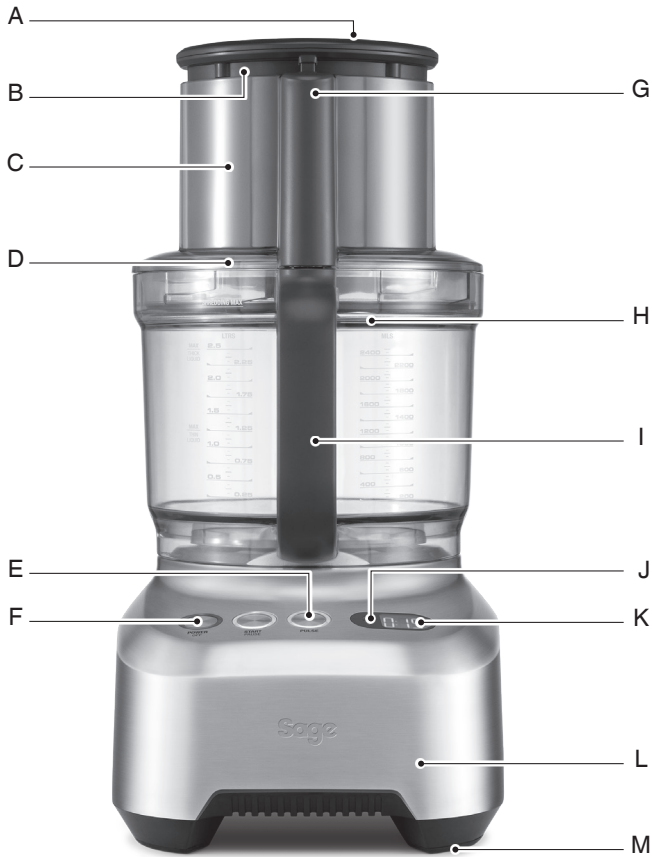


Per proteggersi dalle scariche elettriche, non immergere la spina, il cavo di alimentazione o l'elettrodomestico in acqua o in qualsiasi altro liquido.

**CONSERVARE QUESTE ISTRUZIONI**



# COMPONENTI



## COMPONENTI

- A. Spingitore piccolo
- B. Spingitore grande
- C. Imbuto con ampiezza extra
- D. Coperchio di lavorazione
- E. Pulsante PULSE
- F. Pulsante POWER/OFF (alimentazione)
- G. Sistema di sicurezza dell'imbuto
- H. Guarnizione in silicone
- I. Ciotola di lavorazione con maniglia
- J. Timer per conteggio in avanti e alla rovescia
- K. Display LCD
- L. Base del motore a trazione diretta
- M. Piedini in gomma antiscivolo
- N. Disco julienne
- O. Lama per patatine fritte
- P. Trituratore reversibile
- Q. Affettatrice regolabile
- R. Frusta/disco emulsionante
- S. Tritatutto a 4 lame
- T. Lama impastatrice
- U. Mini lama
- V. Alberino dei dischi
- W. Contenitore con coperchio

### NON MOSTRATO

- Spazzolino per pulizia
- Spatola di plastica
- Mini ciotola di lavorazione
- Alloggiamento del cavo
- Spina Sage® Assist



**Informazioni sui valori nominali**  
220–240 V~ 50 Hz 2000 W

## MONTAGGIO

### PREPARAZIONE AL PRIMO UTILIZZO

Prima di utilizzare il robot da cucina Sage®, acquisire familiarità con tutte le parti. Rimuovere tutti i materiali di imballaggio e le etichette promozionali, facendo attenzione quando si maneggiano le lame e i dischi perché sono molto affilati. Lavare la ciotola di lavorazione, il coperchio di lavorazione e gli altri accessori in acqua calda e sapone. Sciacquare e asciugare completamente. Fare riferimento alla sezione relativa a pulizia, cura e conservazione.

1. Posizionare la base del motore su una superficie di lavoro piana e asciutta. Posizionare la ciotola di lavorazione sulla base del motore allineando la maniglia con l'apposito simbolo sulla base del motore.



2. Ruotare la ciotola di lavorazione in senso orario finché la maniglia non si allinea con il simbolo di blocco. La ciotola di lavorazione deve essere bloccata saldamente in posizione.



3. Se si utilizza un disco, per prima cosa montare l'alberino dei dischi sul giunto di azionamento della ciotola. Posizionare il disco in modo che il lato da utilizzare sia rivolto verso l'alto. Tenere il disco per l'anello di plastica centrale e posizionare il foro centrale sopra il perno di fissaggio. Premere saldamente verso il basso fino a quando il disco è inserito correttamente. Nota: questi dischi sono utilizzabili solo con la ciotola di lavorazione più grande.



4. Per utilizzare le lame di lavorazione, afferrare con cautela il tritituto a 4 lame, la lama impastatrice o la mini lama utilizzando il supporto in plastica centrale, posizzionarli sopra il giunto di azionamento della ciotola e premerli verso il basso finché non sono inseriti correttamente. Se si utilizza la mini lama, assicurarsi di inserire prima la mini ciotola di lavorazione nella ciotola principale.



## MONTAGGIO

5. Collocare il coperchio di lavorazione sulla ciotola in modo che l'imbuto sia leggermente a destra rispetto alla maniglia della ciotola e che i simboli delle frecce siano allineati. Tenendo fermo l'imbuto e premendo contemporaneamente verso il basso, ruotare il coperchio in senso orario (come indicato nell'immagine) in modo che la linguetta di bloccaggio sul coperchio si inserisca nella chiusura di sicurezza a incastro sulla maniglia. A questo punto il coperchio dovrebbe essere bloccato saldamente in posizione.



### NOTA

Il robot da cucina funzionerà solo se la ciotola di lavorazione e il coperchio sono bloccati correttamente in posizione.



### ATTENZIONE

**Le lame e i dischi, compresa la lama della mini ciotola, sono estremamente affilati: maneggiarli sempre con la massima cura.**

6. Inserire la spina di alimentazione in una presa di corrente da 220–240 V e, se presente, accendere il relativo interruttore.
7. Al termine della lavorazione, attendere sempre che le lame o i dischi abbiano smesso di ruotare prima di sbloccare e rimuovere il coperchio. Per rimuovere il coperchio di lavorazione, assicurarsi che il pulsante POWER / OFF (alimentazione) sia stato premuto, che l'alimentazione sia stata spenta e che il cavo di alimentazione sia scollegato dalla presa. Tenendo saldamente l'imbuto e premendo contemporaneamente verso il basso, ruotare il coperchio in senso antiorario in modo che i simboli delle frecce non siano più allineati.
8. Rimuovere la ciotola di lavorazione (prima di rimuovere la lama o i dischi) ruotandola in senso antiorario finché la maniglia risulta allineata con il simbolo ALIGN (allinea). Sollevare la ciotola dall'albero motore. I dischi devono essere rimossi con attenzione afferrando il perno di plastica al centro e sollevando verso l'alto, staccandoli dall'alberino.

## SISTEMA DI PROTEZIONE DA SOVRACCARICO

Se il motore si sovraccarica, il robot da cucina passerà alla modalità STANDBY e l'icona OVERLOAD (sovraccarico) sul display LCD inizierà a lampeggiare. Il robot da cucina può comunque essere spento premendo il pulsante POWER/OFF (alimentazione). Prima di poter utilizzare nuovamente il robot da cucina è necessario lasciarlo raffreddare per circa 30 minuti.

Alcune miscele dure, come gli impasti, possono far ruotare la lama più lentamente del normale. In questi casi, non prolungare la lavorazione oltre 1 minuto.

## GUIDA ALLA LAVORAZIONE DEGLI ALIMENTI

### NOTA

Il robot da cucina è molto potente e, laddove possibile, è consigliato l'utilizzo della funzione PULSE per evitare che gli alimenti vengano tritati o montati eccessivamente.

ALIMENTO	TIPO DI LAMA (IMPASTATRICE/ TRITATUTTO A 4 LAME/ MINI)	SPESSORE REGOLABILE DELLA LAMA PER AFFETTATURA	TIPO DI DISCO CONSIGLIATO (PATATINE/ TRITURATORE/ JULIENNE/ FRUSTA)
Avocado	Tritatutto a 4 lame o mini Preparazione: guacamole	2-5	
Asparagi (cotti)	Tritatutto a 4 lame o mini Preparazione: salsa di asparagi		
Barbabietole		2-5	Trituratore Preparazione: insalata
Broccoli (cotti)	Tritatutto a 4 lame Preparazione: zuppa di broccoli		
Cavolo		Sottile 1-2 e medio 2-3 Preparazione: contorno	Trituratore Preparazione: insalata
Carote	Tritatutto a 4 lame o mini Preparazione: zuppa di verdure	0-5	Trituratore Preparazione: insalata
Cavolfiore (cotto)	Tritatutto a 4 lame o mini Preparazione: zuppa di cavolfiore		
Sedano	Tritatutto a 4 lame o mini Preparazione: zuppa di verdure	Sottile 1-2 e medio 2-3 Preparazione: insalata	
Peperoncini	Tritatutto a 4 lame o mini Preparazione: condimento		
Melanzana	Tritatutto a 4 lame o mini Preparazione: contorno, zuppe	2-5 Preparazione: melanzana alla griglia	Trituratore o julienne Preparazione: contorno
Aglio	Tritatutto a 4 lame o mini Preparazione: condimento		
Zenzero	Tritatutto a 4 lame o mini Preparazione: condimento		
Erbe aromatiche	Tritatutto a 4 lame o mini Preparazione: pesto di condimento		
Porri	Tritatutto a 4 lame o mini Preparazione: cotti per zuppe	2-5 Preparazione: zuppa di verdure	
Lattuga		2-4 Preparazione: insalata	

## GUIDA ALLA LAVORAZIONE DEGLI ALIMENTI

ALIMENTO	TIPO DI LAMA (IMPASTATRICE/ TRITATUTTO A 4 LAME/ MINI)	SPESSORE REGOLABILE DELLA LAMA PER AFFETTATURA	TIPO DI DISCO CONSIGLIATO (PATATINE/ TRITURATORE/ JULIENNE/ FRUSTA)
Funghi (crudi)	Tritatutto a 4 lame o mini Preparazione: zuppa di verdure	4-6 Preparazione: insalata, zuppa di verdure, salsa ai funghi, zuppa di funghi	
Funghi (cotti)	Tritatutto a 4 lame Preparazione: zuppa di funghi	4-6 Preparazione: insalata, zuppa di verdure, salsa ai funghi, zuppa di funghi	
Cipolla	Tritatutto a 4 lame o mini Preparazione: zuppe, salse	0-5 Preparazione: insalata	
Pastinaca	Tritatutto a 4 lame o mini Preparazione: zuppa di verdure	2-5 Preparazione: lasagne vegetariane	
Pastinaca (cotta)	Tritatutto a 4 lame Preparazione: contorno		
Piselli (cotti)	Tritatutto a 4 lame o mini Preparazione: contorno, pappe per bambini		
Patate		0,5-6 Preparazione: patate al forno	Patatine/julienne/ tritatore Preparazione: patatine fritte
Patate (cotte)	Tritatutto a 4 lame o mini Preparazione: purè di patate, skordalia		
Spinaci	Tritatutto a 4 lame o mini Preparazione: contorno		
Spinaci (cotti)	Tritatutto a 4 lame o mini Preparazione: spinaci al formaggio		
cavolo navone	Tritatutto a 4 lame o mini Preparazione: zuppa di verdure, purè di cavolo navone		
Pomodori	Tritatutto a 4 lame o mini Preparazione: Salsa di pomodoro	2-5 Preparazione: farcitura di sandwich, insalata con pomodori e mozzarelline, condimento al pomodoro	
Zucchine		3-6 Preparazione: contorno, sformato di zucchine, gratin	Trituratore, grosso o fine Preparazione: insalata, frittata
Mele	Tritatutto a 4 lame o mini Preparazione: salsa di mele	2-5 Preparazione: galette di mele	
Mele (cotte)	Tritatutto a 4 lame o mini Preparazione: pappe per bambini	4-6 Preparazione: macedonia	
Banana	Tritatutto a 4 lame o mini Preparazione: salse per dolci		

## GUIDA ALLA LAVORAZIONE DEGLI ALIMENTI

ALIMENTO	TIPO DI LAMA (IMPASTATRICE/ TRITATUTTO A 4 LAME/ MINI)	SPESSORE REGOLABILE DELLA LAMA PER AFFETTATURA	TIPO DI DISCO CONSIGLIATO (PATATINE/ TRITURATORE/ JULIENNE/ FRUSTA)
Frutti di bosco	Tritatutto a 4 lame o mini Preparazione: macedonia		
Agrumi	Tritatutto a 4 lame o mini Preparazione: ripieno per dolci		
Scorza di agrumi	Tritatutto a 4 lame o mini Preparazione: ripieno per dolci		
Frutta essiccata	Tritatutto a 4 lame o mini Preparazione: macedonia, salsa per dolci		
Kiwi	Tritatutto a 4 lame o mini Preparazione: macedonia, salsa per dolci	4-6 Preparazione: decorazione di dolci	
Mango	Tritatutto a 4 lame o mini Preparazione: macedonia, salsa per dolci		
Melone (melone verde/ melone di Cantalupo)	Tritatutto a 4 lame o mini Preparazione: macedonia		
Pere	Tritatutto a 4 lame o mini Preparazione: macedonia	4-6 Preparazione: torta di pere	
Pere (cotte)	Tritatutto a 4 lame o mini Preparazione: pappe per bambini		
Ananas	Tritatutto a 4 lame o mini Preparazione: macedonia		
Frutta con nocciolo (albicocca, nettarina, pesca, prugna)	Tritatutto a 4 lame o mini Preparazione: macedonia, salsa per dolci		
Fragole	Tritatutto a 4 lame o mini Preparazione: macedonia, salsa per dolci		
Pastelle	Impastatrice Preparazione: torte, crêpe		Frusta Preparazione: torte, muffin, crêpe
Pangrattato	Tritatutto a 4 lame o mini Preparazione: impanature, ripieno con pangrattato		
Formaggio			Trituratore, grosso o fine Preparazione: formaggio grattugiato

## GUIDA ALLA LAVORAZIONE DEGLI ALIMENTI

ALIMENTO	TIPO DI LAMA (IMPASTATRICE/ TRITATUTTO A 4 LAME/ MINI)	SPESSORE REGOLABILE DELLA LAMA PER AFFETTATURA	TIPO DI DISCO CONSIGLIATO (PATATINE/ TRITURATORE/ JULIENNE/ FRUSTA)
Cioccolato	Tritatutto a 4 lame o mini Preparazione: ganache di cioccolato		Trituratore, grosso o fine Preparazione: decorazione di dolci
Formaggio spalmabile	Tritatutto a 4 lame o mini Preparazione: salse, cheese cake		
Impastatrice	Impastatrice Preparazione: pasticceria, focaccine, pane		
Albumi d'uovo: utilizzare la funzione PULSE			Frusta Preparazione: spume d'uovo (non consigliato per meringhe, pavlova)
Uova (sode)	Tritatutto a 4 lame o mini Preparazione: Farcitura di sandwich	2-5 Preparazione: farcitura di sandwich	
Uova (intere o tuorli): utilizzare la funzione PULSE			Frusta Preparazione: maionese
Panna: utilizzare la funzione PULSE			Frusta Utilizzo: è consigliata la funzione PULSE per evitare una montatura eccessiva
Frullati e frappé	Tritatutto a 4 lame Preparazione: si consiglia l'utilizzo della funzione PULSE		
Carne (cruda): utilizzare la funzione PULSE	Tritatutto a 4 lame Preparazione: carne trita per polpette e hamburger		
Carne (cotta): utilizzare la funzione PULSE	Tritatutto a 4 lame Preparazione: farcitura di sandwich, paté, pappe per bambini		
Salumi		1-6 Preparazione: panini, antipasti, condimenti per pizza	



## MANUTENZIONE, PULIZIA E CONSERVAZIONE

### MANUTENZIONE E PULIZIA

Al termine della lavorazione, spegnere il robot da cucina e scollegare il cavo di alimentazione.

#### Base del motore

Pulire la base del motore con un panno morbido e umido dopo ogni utilizzo. Asciugare accuratamente con un panno morbido e pulito.

#### Ciotola di lavorazione, coperchio e spingitore

Lavare a mano in acqua calda e sapone con un detergente delicato. Non utilizzare spugne o detergenti abrasivi perché potrebbero graffiare la superficie di plastica. Di tanto in tanto è possibile lavare le parti in plastica in lavastoviglie (solo ripiano superiore). È sconsigliato farlo con regolarità, in quanto un'esposizione prolungata all'acqua molto calda e a detergenti aggressivi potrebbe danneggiare la plastica e renderla meno durevole.

#### NOTA

Non lavare lo spingitore in lavastoviglie poiché il calore potrebbe deformarlo.

#### Tritatutto a 4 lame, lama impastatrice e dischi

Lavare a mano la ciotola e il coperchio. Utilizzare lo spazzolino per pulizia per rimuovere i residui di cibo più difficili da lame e dischi. L'estremità dell'impugnatura dello spazzolino è progettata per raschiare. Per evitare tagli accidentali, non lasciare il tritatutto a 4 lame o i dischi in ammollo in acqua con sapone. Il tritatutto a 4 lame, la lama impastatrice, i dischi e l'alberino possono essere lavati anche in lavastoviglie (solo ripiano superiore).

#### NOTA

Per maggiore sicurezza è possibile montare il coperchio sul tritatutto a 4 lame mentre è inserito nella lavastoviglie.



### ATTENZIONE

***Il tritatutto a 4 lame, le lame mini e regolabili e i dischi sono estremamente affilati, maneggiarli sempre con la massima cura.***

***Non immergere la base del motore, il cavo o la spina di alimentazione in acqua o in altro liquido.***

***Non conservare mai il robot da cucina con la ciotola fissata e il coperchio bloccato in posizione. Ciò produrrebbe un'inutile tensione sull'interruttore di funzionamento automatico presente sulla maniglia della ciotola di lavorazione e sull'interruttore automatico di sicurezza sulla base del motore.***

***Non mettere alcun componente del robot da cucina nel forno a microonde.***

## RISOLUZIONE DEI PROBLEMI

PROBLEMA	SOLUZIONE SEMPLICE
<b>Gli alimenti non vengono lavorati in modo uniforme</b>	<ul style="list-style-type: none"> <li>• Gli ingredienti devono essere tagliati uniformemente in pezzi da 2,5 cm prima della lavorazione.</li> <li>• È consigliabile dividerli in quantità più piccole per evitare il sovraccarico.</li> </ul>
<b>Le fette sono inclinate o irregolari</b>	<ul style="list-style-type: none"> <li>• Caricare l'alimento nell'imbuto. Posizionare lo spingitore sul cibo e applicare pressione, quindi premere Start.</li> </ul>
<b>Il cibo fuoriesce dall'imbuto</b>	<ul style="list-style-type: none"> <li>• Per ottenere risultati migliori, l'imbuto di grandi dimensioni deve essere riempito completamente. Per quantità inferiori, utilizzare l'imbuto piccolo.</li> </ul>
<b>Disco per patatine fritte</b>	<ul style="list-style-type: none"> <li>• Eliminare sempre le patate bloccate dal disco per patatine fritte prima di inserire altre patate.</li> </ul>
<b>Alcuni alimenti rimangono sul disco dopo la lavorazione</b>	<ul style="list-style-type: none"> <li>• È normale che rimangano dei residui di alimenti sul disco dopo la lavorazione.</li> </ul>
<b>Il motore rallenta quando si mescola un impasto</b>	<ul style="list-style-type: none"> <li>• È possibile che la quantità di impasto superi la capacità massima. Rimuoverne la metà e procedere in due fasi.</li> <li>• L'impasto potrebbe essere troppo bagnato (vedere la pagina successiva). Se il motore accelera, continuare la lavorazione. In caso contrario, aggiungere più farina, 1 cucchiaino alla volta fino a quando il motore accelera. Procedere così fino a quando l'interno della ciotola di lavorazione risulta pulito.</li> </ul>
<b>Il motore si avvia lentamente con il tritatutto a 4 lame</b>	<ul style="list-style-type: none"> <li>• È possibile che la quantità di carne superi la capacità massima. Fare riferimento al manuale di istruzioni per le quantità massime. Rimuoverne la metà e procedere in due fasi.</li> <li>• Per ottenere migliori risultati è consigliabile eliminare il grasso dalla carne prima della lavorazione.</li> </ul>
<b>Il motore non parte</b>	<ul style="list-style-type: none"> <li>• Un interruttore di sicurezza impedisce l'avviamento del motore se questo non è stato montato correttamente. Assicurarsi che la ciotola di lavorazione, il coperchio e lo spingitore siano bloccati saldamente in posizione.</li> <li>• Se si desidera tagliare o tritare e la soluzione sopra descritta non funziona, assicurarsi che gli alimenti siano al di sotto della linea di riempimento massima, in modo che l'asta di attivazione possa innescare il motore.</li> <li>• Se il motore non si avvia comunque, controllare il cavo di alimentazione e la presa di corrente.</li> </ul>

## RISOLUZIONE DEI PROBLEMI

PROBLEMA	SOLUZIONE SEMPLICE
<b>Il robot da cucina si spegne durante il funzionamento</b>	<ul style="list-style-type: none"> <li>• Il coperchio potrebbe essere stato sbloccato; verificare che si trovi nella posizione corretta.</li> <li>• Se il motore si sovraccarica, l'icona OVERLOAD (sovraccarico) sul display LCD inizierà a lampeggiare. Spegnerlo premendo il pulsante POWER/OFF (alimentazione) e scollegare il cavo di alimentazione. Lasciare raffreddare il robot da cucina per 20-30 minuti prima di riprendere la lavorazione.</li> </ul>
<b>Il motore rallenta durante il funzionamento</b>	<ul style="list-style-type: none"> <li>• È normale, poiché alcuni carichi più pesanti potrebbero richiedere un lavoro maggiore da parte del motore. Riposizionare il cibo nell'imbuto e riprendere la lavorazione.</li> <li>• È possibile che sia stata superata la capacità di carico massima. Fare riferimento al manuale di istruzioni per le quantità massime. Rimuovere parte degli ingredienti e continuare la lavorazione.</li> </ul>
<b>Il robot da cucina vibra/si sposta durante la lavorazione</b>	<ul style="list-style-type: none"> <li>• Assicurarsi che i piedini in gomma sotto l'unità siano puliti e asciutti. Assicurarsi inoltre che la capacità di carico massima non venga superata.</li> </ul>
<b>L'impasto non incorpora completamente gli ingredienti</b>	<ul style="list-style-type: none"> <li>• Quando si impasta, avviare sempre il robot da cucina prima di aggiungere del liquido. Aggiungere il componente liquido in un flusso lento e costante, consentendo agli ingredienti secchi di assorbirlo. Se viene aggiunto troppo liquido, attendere che gli ingredienti nella ciotola di lavorazione si siano miscelati, quindi aggiungere lentamente il liquido rimanente senza spegnere l'apparecchio. Versare il liquido sull'impasto mentre passa sotto l'apertura dell'imbuto; non versarlo direttamente sul fondo della ciotola di lavorazione.</li> </ul>
<b>L'impasto risulta duro dopo la lavorazione</b>	<ul style="list-style-type: none"> <li>• Dividere l'impasto in 2 o 3 pezzi e ridistribuirlo uniformemente nella ciotola di lavorazione. Procedere con la lavorazione per 10 secondi o fino a quando non diventa morbido, duttile e uniforme.</li> </ul>
<b>L'impasto è troppo secco</b>	<ul style="list-style-type: none"> <li>• Mentre la macchina è in funzione, aggiungere acqua attraverso l'imbuto piccolo, 1 cucchiaino alla volta fino a quando l'interno della ciotola di lavorazione risulta pulito.</li> </ul>
<b>L'impasto è troppo umido</b>	<ul style="list-style-type: none"> <li>• Mentre la macchina è in funzione, aggiungere farina attraverso l'imbuto piccolo, 1 cucchiaino alla volta fino a quando l'interno della ciotola di lavorazione risulta pulito.</li> </ul>

### **GARANZIA LIMITATA DI 3 ANNI E GARANZIA LIMITATA DI 30 ANNI SUL MOTORE**

Sage Appliances offre una garanzia per l'utilizzo domestico di questo prodotto in specifiche aree geografiche; la copertura è di 3 anni per l'intero prodotto e di 30 anni per il motore, a partire dalla data di acquisto. La garanzia copre eventuali malfunzionamenti causati da difetti di fabbricazione o dei materiali. Durante il periodo coperto dalla garanzia, Sage Appliances sarà tenuta a riparare, sostituire o rimborsare l'importo corrispondente ai prodotti difettosi (a sola discrezione di Sage Appliances).

Tutti i diritti di garanzia previsti dalla legislazione nazionale applicabile verranno rispettati e non possono essere annullati dalla presente garanzia. Per i termini e le condizioni complete della garanzia e per istruzioni su come inviare una richiesta di risarcimento, visitare il sito [www.sageappliances.com](http://www.sageappliances.com).

*the Kitchen Wizz Pro™*



ES GUÍA DEL USUARIO

**Sage®**

- 2 Sage® recomienda seguridad ante todo
- 6 Componentes
- 8 Ensamblaje
- 10 Guía de procesamiento de alimentos
- 14 Cuidado, limpieza y almacenamiento
- 15 Resolución de problemas
- 18 Garantía

# SAGE® RECOMIENDA SEGURIDAD ANTE TODO

**En Sage® nos preocupa mucho la seguridad. Para el diseño y la fabricación de nuestros productos de consumo tenemos en cuenta antes que nada la seguridad de nuestros clientes, como tú. También te rogamos que actúes cuidadosamente al usar cualquier electrodoméstico y que tomes las precauciones siguientes.**

## MEDIDAS DE SEGURIDAD IMPORTANTES

**LEE TODAS LAS INSTRUCCIONES ANTES DEL USO Y GUÁRDALAS PARA PODER CONSULTARLAS EN EL FUTURO.**

- Hay una versión de este documento disponible en [sageappliances.com](http://sageappliances.com) para descargar.

- Antes de usar el producto por primera vez, asegúrate de que la tensión eléctrica de la toma de corriente coincida con la que figura en la etiqueta en la base del electrodoméstico.
- Retira y desecha de forma apropiada los materiales de embalaje antes del primer uso.
- Para evitar riesgos de asfixia de niños pequeños, desecha correctamente la cubierta protectora del enchufe.
- Este electrodoméstico es solo para uso doméstico. No se debe utilizar para fines distintos de su uso previsto. No se debe utilizar en vehículos o embarcaciones en movimiento. No se debe utilizar al aire libre. El uso inapropiado podría causar lesiones.
- Desenrolla completamente el cable de alimentación antes de usar el aparato.
- Coloca el electrodoméstico sobre una superficie estable, resistente al calor, nivelada y seca. No lo pongas muy cerca del borde ni cerca de una fuente de calor (por ejemplo, una placa de cocina eléctrica, un quemador de gas o un horno).
- La vibración durante el funcionamiento podría hacer que el electrodoméstico se mueva.
- Evita que el cable de alimentación sobresalga del borde de una encimera o una mesa, entre en contacto con superficies calientes o se enrede.

**SAGE® RECOMIENDA SEGURIDAD ANTE TODO**

- Este electrodoméstico no debe ser utilizado por niños.
- Desconecta siempre el electrodoméstico de la red eléctrica si se deja desatendido y antes de montarlo, desmontarlo o limpiarlo.
- No permitas que los niños jueguen con este electrodoméstico.
- La limpieza y el mantenimiento del electrodoméstico no deben ser realizados por niños menores de 8 años, ni por niños mayores sin la supervisión de un adulto.
- Mantén el electrodoméstico y su cable fuera del alcance de los niños.
- El electrodoméstico puede ser utilizado por personas con discapacidades físicas o mentales, o sin experiencia ni conocimientos de uso, siempre y cuando reciban supervisión o instrucciones para el uso seguro del electrodoméstico y comprendan los riesgos implicados.
- No lo utilices si el cable de alimentación, el enchufe o el electrodoméstico propiamente dicho están dañados. Ante cualquier daño y si se requiere algún tipo de mantenimiento (que no sea la limpieza), ponte en contacto con el Servicio de atención al cliente de Sage o visita [sageappliances.com](http://sageappliances.com).
- Cualquier tarea de mantenimiento que no sea de limpieza debe realizarla un Centro de servicio autorizado de Sage®.
- Se recomienda la instalación de un interruptor diferencial para ofrecer seguridad adicional al usar todos los electrodomésticos. Se recomienda usar interruptores de seguridad con una corriente de funcionamiento nominal de no más de 30 mA. Solicita asesoramiento profesional a un electricista.
- Asegúrate siempre de que el electrodoméstico esté correctamente ensamblado según las instrucciones antes de usarlo. El uso del electrodoméstico sin haber sido ensamblado correctamente puede causar un mal funcionamiento del producto, daños en el mismo o riesgos para la seguridad, incluidas lesiones personales.
- No utilices el procesador de alimentos sobre superficies resbaladizas, inestables o desiguales, como el escurridor del fregadero.
- Mantén las manos, los dedos, el pelo, la ropa y utensilios como espátulas alejados de las piezas móviles o giratorias durante el uso.
- No utilices el electrodoméstico para fines que no sean la preparación de alimentos o bebidas.

- Para evitar el riesgo de que el electrodoméstico se ponga en funcionamiento por sí solo debido a un restablecimiento involuntario de la protección de sobrecarga, no acoples ningún dispositivo de conmutación externo (por ejemplo, un temporizador) ni conectes el electrodoméstico a un circuito capaz de encenderlo/apagarlo.
- Mantén el electrodoméstico limpio. Sigue las instrucciones de limpieza indicadas en esta publicación.
- Este electrodoméstico es solo para uso doméstico. No se debe utilizar para fines distintos de su uso previsto. No se debe utilizar en vehículos o embarcaciones en movimiento. No se debe utilizar al aire libre. El uso inapropiado podría causar lesiones.
- Nunca utilices accesorios que no se suministran con este producto o que no estén autorizados por Sage® para su uso en este producto. El incumplimiento de esta instrucción puede causar un mal funcionamiento del producto, daños en el mismo o riesgos para la seguridad.
- Para utilizar en este producto los accesorios opcionales autorizados por Sage®, lee todas las instrucciones suministradas con el accesorio junto con las instrucciones contenidas en este folleto.
- Se debe tener cuidado al retirar los alimentos del bol de procesamiento, asegurándose de que el motor, la cuchilla Quad™, la cuchilla amasadora o el disco se hayan detenido completamente antes de desmontarlos. Asegúrate de que se haya pulsado el botón OFF (apagado) para desconectar el motor y de que el electrodoméstico esté apagado y desenchufado de la toma de corriente antes de levantar la tapa del bol. El bol debe desbloquearse del cuerpo del motor y la cuchilla Quad™, la cuchilla amasadora o los discos deben retirarse antes de intentar extraer la comida procesada.
- No proceses líquidos calientes o hirviendo; deja que los líquidos se enfríen antes de colocarlos en el bol. De lo contrario, estos líquidos calientes podrían emitir vapores y causar lesiones.
- Asegúrate de que se haya pulsado el botón OFF y de que el procesador de alimentos esté apagado y desenchufado de la toma de corriente antes de colocar la cuchilla Quad™, la cuchilla amasadora, el disco o la tapa.
- Para evitar un posible mal funcionamiento del interruptor automático del bol, no coloques la tapa en la posición de bloqueo cuando el electrodoméstico no esté en uso.



**SAGE® RECOMIENDA SEGURIDAD ANTE TODO**

- No coloques las manos o los dedos en el bol del procesador de alimentos a menos que el motor, la cuchilla Quad™, la cuchilla amasadora o los discos se hayan detenido por completo.
- Las cuchillas y los discos son extremadamente afilados y deben manejarse con cuidado en todo momento. Evita el contacto con las piezas móviles durante el funcionamiento. Mantén las manos, el cabello, la ropa, las espátulas y otros utensilios fuera de la abertura para alimentos del procesador para evitar lesiones personales o dañar el mezclador. Utiliza siempre el empujador para empujar los alimentos hacia abajo en la abertura para alimentos.
- Maneja el procesador de alimentos y los accesorios con cuidado: recuerda que las cuchillas y los discos son muy afilados y deben mantenerse fuera del alcance de los niños.
- Se debe tener cuidado al manipular las cuchillas afiladas, al vaciar el bol y durante la limpieza.
- No llenes el bol por encima de los niveles de líquido marcados o 15 tazas de producto seco (rallado). Añade siempre alimentos más secos o espesos al bol de procesamiento antes de añadir líquidos.
- Nunca retires la tapa mientras el procesador esté funcionando. Utiliza siempre el botón POWER/OFF (encendido/apagado) para detener el aparato antes de retirar la tapa.
- No coloques el procesador de alimentos cerca del borde de una encimera o mesa durante el funcionamiento. Asegúrate de que la superficie esté nivelada, limpia y sin agua, harina, etc.
- No coloques ninguna pieza del procesador de alimentos en el microondas.
- Supervisa el procesador de alimentos en todo momento mientras esté en funcionamiento.
- No muevas el procesador de alimentos mientras esté en funcionamiento.
- No utilices accesorios que no sean los suministrados con el procesador de alimentos.
- No intentes hacer funcionar el procesador de alimentos con un método que no sea el descrito en este folleto.
- No introduces alimentos en la abertura para alimentos con los dedos u otros utensilios. Utiliza siempre el empujador de alimentos suministrado.
- Utiliza siempre el procesador de alimentos con la tapa bien colocada.

- Fija siempre el bol de procesamiento en la base del motor antes de colocar la cuchilla Quad™, la cuchilla amasadora o los discos.
- No tritures hielo en los boles de procesamiento grandes o pequeños, ya que podrían dañarse las cuchillas (Quad™ o minicuchilla). Recomendamos el uso de una batidora de vaso para triturar el hielo.
- Al mezclar la masa de levadura, el tiempo de funcionamiento del procesador de alimentos no debe ser superior a 30 segundos. Deja que el electrodoméstico se enfríe antes del siguiente uso.
- Algunas mezclas rígidas, como las masas, pueden hacer que la cuchilla de procesamiento gire más lento de lo normal. Si esto sucede, no proceses durante más de 30 segundos.



Este símbolo indica que el electrodoméstico no debe desecharse con la basura doméstica normal.

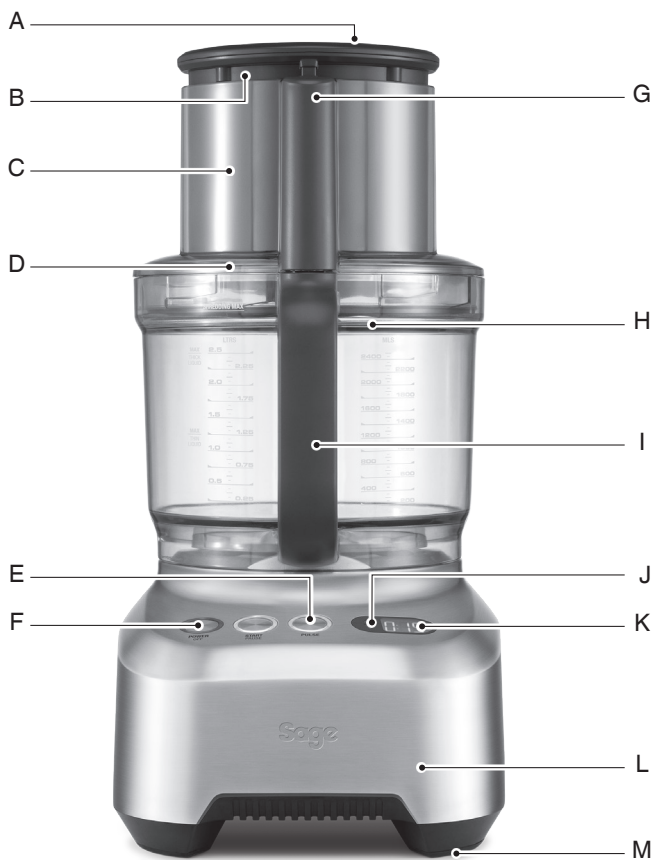
Debe llevarse a un centro de recogida de residuos designado por las autoridades locales para ese fin o a una empresa que preste ese servicio. Para obtener más información, ponte en contacto con los servicios municipales.



Para evitar descargas eléctricas, no sumerjas el enchufe, el cable de alimentación ni el electrodoméstico en agua ni otros líquidos.

**GUARDA ESTAS INSTRUCCIONES**

COMPONENTES



## COMPONENTES

- A. Empujador de alimentos pequeño
- B. Empujador de alimentos grande
- C. Abertura para alimentos extraancha
- D. Tapa de procesamiento
- E. Botón PULSE
- F. Botón POWER/OFF
- G. Sistema de seguridad de apertura para alimentos
- H. Junta de silicona
- I. Bol de procesamiento con asa
- J. Temporizador de cuenta atrás/adelante
- K. Pantalla LCD
- L. Base del motor con accionamiento directo
- M. Pies de goma antideslizantes
- N. Cortador en juliana
- O. Cortador de virutas
- P. Rallador reversible
- Q. Rebanador ajustable
- R. Disco batidor/emulsionador
- S. Procesador de 4 cuchillas
- T. Cuchilla amasadora
- U. Minicuchilla de procesamiento
- V. Eje del disco
- W. Recipiente para almacenaje con tapa

### NO MOSTRADO

- Cepillo de limpieza
- Espátula de plástico
- Minibol de procesamiento
- Compartimento para cable
- Enchufe Sage® Assist

## ENSAMBLAJE

### ANTES DEL PRIMER USO

Antes de usar tu procesador de alimentos Sage®, familiarízate con todas las piezas. Retira todos los materiales de embalaje y etiquetas promocionales teniendo cuidado al manipular las cuchillas y los discos de procesamiento, ya que son muy afilados. Lava el bol de procesamiento, la tapa y otros accesorios en agua tibia con jabón. Enjuaga y seca bien todo. (Consulta la sección de limpieza, cuidado y almacenamiento).

1. Coloca la base del motor sobre una superficie de trabajo seca y nivelada. Coloca el bol sobre la base del motor con el asa alineada con la marca ALIGN HANDLE (alinear asa) en la base del motor.



2. Gira el bol en el sentido de las agujas del reloj hasta que el asa se alinee con la marca TURN TO LOCK (girar hasta bloquear). El bol debe estar bien colocado y bloqueado en la posición correcta.



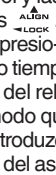
3. Si utilizas un disco, primero monta el eje del disco en el acoplamiento de transmisión del bol. Orienta el disco de forma que el lado que deseas utilizar quede hacia arriba. Sujeta el disco por el molde de plástico central y coloca el orificio central encima del eje del adaptador. Empuja hacia abajo con firmeza hasta que quede bien ajustado. (Ten en cuenta que estos discos solo encajan en el bol más grande).



4. Para usar las cuchillas, coge con cuidado el procesador de cuatro cuchillas, la cuchilla amasadora o la minicuchilla mediante el soporte central de plástico y ponlos sobre el acoplamiento de transmisión del bol empujándolo hacia abajo hasta que esté bien colocado. Si utilizas la minicuchilla, antes asegúrate de que el minibol de procesamiento esté acoplado en el bol principal.



## ENSAMBLAJE

- Coloca la tapa en el bol de procesamiento de manera que la abertura para alimentos quede ligeramente a la derecha del asa del bol y las marcas de las flechas estén alineadas . Sujetando la abertura para alimentos y presionando firmemente hacia abajo al mismo tiempo, gira la tapa en el sentido de las agujas del reloj (como se indica en la ilustración), de modo que la “pestaña de bloqueo” de la tapa se introduzca en el “cierre de seguridad con bloqueo” del asa. La tapa debe quedar bloqueada en la posición correcta.



### NOTA

El procesador de alimentos no funcionará a menos que tanto el bol como la tapa estén correctamente bloqueados en su posición.



### PRECAUCIÓN

**Las cuchillas de procesamiento (incluida la cuchilla para el minibol) y los discos son extremadamente afilados y deben manejarse con cuidado en todo momento.**

- Conecta el enchufe en una toma de corriente de 220/240 V y enciende el electrodoméstico.
- Al final del proceso, espera siempre hasta que las cuchillas o los discos hayan dejado de girar antes de desbloquear y retirar la tapa. Para retirar la tapa, asegúrate de que se haya pulsado el botón POWER/OFF y de que el electrodoméstico esté apagado y desenchufado de la toma de corriente. Sujetando la abertura para alimentos y presionando firmemente hacia abajo al mismo tiempo, gira la tapa en el sentido contrario a las agujas del reloj, de modo que las marcas de las flechas ya no estén alineadas.
- Retira el bol de procesamiento (antes de retirar la cuchilla o los discos) girándolo en el sentido contrario a las agujas del reloj hasta que el asa esté alineada con la marca ALIGN HANDLE. Levanta el bol del eje del motor. Cuando retires los discos, agárralos con cuidado por el tirador de plástico del centro y levántalos alejándolos de la punta del eje.

## SISTEMA DE PROTECCIÓN DE SOBRECARGA

Si el motor se sobrecarga, el procesador de alimentos pasará al modo de ESPERA y el icono de SOBRECARGA en la pantalla LCD comenzará a parpadear. El procesador de alimentos se puede apagar pulsando el botón POWER/OFF. Para volver a utilizar el procesador de alimentos, deja que la máquina se enfríe durante 30 minutos aproximadamente.

Algunas mezclas rígidas, como las masas, pueden hacer que la cuchilla amasadora gire más lento de lo normal. Si esto sucede, no proceses durante más de 1 minuto.

## GUÍA DE PROCESAMIENTO DE ALIMENTOS

### NOTA

El procesador de alimentos es muy potente y se recomienda utilizar la función PULSE (Turbo) siempre que sea posible para evitar un procesamiento excesivo.

ALIMENTOS	TIPO DE CUCHILLA (AMASADORA/ PROCESADOR DE 4 CUCHILLAS/ MINICUCHILLA)	ESPESOR AJUSTABLE DE LA CUCHILLA REBANADORA	TIPO DE DISCO RECOMENDADO (VIRUTAS/RALLADOR/JULIANA/ BATIDOR)
Aguacate	Procesador de 4 cuchillas o minicuchilla. Uso: guacamole	2-5	
Espárragos (cocidos)	Procesador de 4 cuchillas o minicuchilla. Uso: salsa de espárragos		
Remolacha		2-5	Rallador. Uso: ensalada
Brócoli (cocido)	Procesador de 4 cuchillas. Uso: crema de brócoli		
Repollo		Fino 1-2 y med. 2-3. Uso: acompañamiento	Rallador. Uso: ensalada
Zanahoria	Procesador de 4 cuchillas o minicuchilla. Uso: sopa de verduras	0-5	Rallador. Uso: ensalada
Coliflor (cocida)	Procesador de 4 cuchillas o minicuchilla. Uso: crema de coliflor		
Apio	Procesador de 4 cuchillas o minicuchilla. Uso: sopa de verduras	Fino 1-2 med. 2-3. Uso: ensalada	
Guindilla	Procesador de 4 cuchillas o minicuchilla. Uso: condimento		
Berenjena	Procesador de 4 cuchillas o minicuchilla. Uso: acompañamiento, cremas	2-5 Uso: berenjena a la plancha	Rallador o juliana. Uso: acompañamiento de platos
Ajo	Procesador de 4 cuchillas o minicuchilla. Uso: condimento		
Jengibre	Procesador de 4 cuchillas o minicuchilla. Uso: condimento		
Hierbas	Procesador de 4 cuchillas o minicuchilla. Uso: pesto		
Puerros	Procesador de 4 cuchillas o minicuchilla. Uso: cocinado para cremas	2-5 Uso: sopa de verduras	
Lechuga		2-4 Uso: ensalada	

## GUÍA DE PROCESAMIENTO DE ALIMENTOS

ALIMENTOS	TIPO DE CUCHILLA (AMASADORA/ PROCESADOR DE 4 CUCHILLAS/ MINICUCHILLA)	ESPESOR AJUSTABLE DE LA CUCHILLA REBANADORA	TIPO DE DISCO RECOMENDADO (VIRUTAS/RALLA- DOR/JULIANA/ BATIDOR)
Champiñones (crudos)	Procesador de 4 cuchillas o minicuchilla. Uso: sopa de verduras	4-6. Uso: ensalada, sopa de verduras, salsa de champiñones, crema de champiñones	
Champiñones (cocidos)	Procesador de 4 cuchillas. Uso: crema de champiñones	4-6. Uso: ensalada, sopa de verduras, salsa de champiñones, crema de champiñones	
Cebolla	Procesador de 4 cuchillas o minicuchilla. Uso: sopas, salsas	0-5 Uso: ensalada	
Chirivía	Procesador de 4 cuchillas o minicuchilla. Uso: sopa de verduras	2-5 Uso: lasaña de verduras	
Chirivía (cocida)	Procesador de 4 cuchillas. Uso: acompañamiento		
Guisantes (cocidos)	Procesador de 4 cuchillas o minicuchilla. Uso: acompañamiento, comida para bebés		
Patatas		0,5-6 Uso: patatas al horno	Virutas/juliana/ rallador. Uso: patatas fritas
Patatas (cocidas)	Procesador de 4 cuchillas o minicuchilla. Uso: puré de patatas, parmentier		
Espinacas	Procesador de 4 cuchillas o minicuchilla. Uso: acompañamiento		
Espinacas (cocidas)	Procesador de 4 cuchillas o minicuchilla. Uso: crema de espinacas		
Colinabo	Procesador de 4 cuchillas o minicuchilla. Uso: crema de verduras, crema de colinabo		
Tomates	Procesador de 4 cuchillas o minicuchilla. Uso: pico de gallo	2-5 Uso: relleno de sándwiches, ensalada de tomate, salsa de tomate	
Calabacín		3-6 Uso: acompañamiento, en tempura, gratinado	Rallador: fino o grueso. Uso: ensalada, tortilla
Manzana	Procesador de 4 cuchillas o minicuchilla. Uso: compota de manzana	2-5 Uso: tarta de manzana	



## GUÍA DE PROCESAMIENTO DE ALIMENTOS

ALIMENTOS	TIPO DE CUCHILLA (AMASADORA/ PROCESADOR DE 4 CUCHILLAS/ MINICUCHILLA)	ESPESOR AJUSTABLE DE LA CUCHILLA REBANADORA	TIPO DE DISCO RECOMENDADO (VIRUTAS/RALLADOR/JULIANA/ BATIDOR)
Manzana (cocida)	Procesador de 4 cuchillas o minicuchilla. Uso: comida para bebés	4-6 Uso: macedonia	
Plátano	Procesador de 4 cuchillas o minicuchilla. Uso: salsas para postres		
Frutas del bosque	Procesador de 4 cuchillas o minicuchilla. Uso: macedonia		
Cítricos	Procesador de 4 cuchillas o minicuchilla. Uso: picadillo de frutas		
Cáscara de cítricos	Procesador de 4 cuchillas o minicuchilla. Uso: picadillo de frutas		
Fruta deshidratada	Procesador de 4 cuchillas o minicuchilla. Uso: macedonia, salsa para postres		
Kiwi	Procesador de 4 cuchillas o minicuchilla. Uso: macedonia, salsa para postres	4-6 Uso: decoración para postres	
Mango	Procesador de 4 cuchillas o minicuchilla. Uso: macedonia, salsa para postres		
Melón	Procesador de 4 cuchillas o minicuchilla. Uso: macedonia		
Pera	Procesador de 4 cuchillas o minicuchilla. Uso: macedonia	4-6 Uso: tarta de pera	
Pera (cocida)	Procesador de 4 cuchillas o minicuchilla. Uso: comida para bebés		
Piña	Procesador de 4 cuchillas o minicuchilla. Uso: macedonia		
Fruta de hueso (albaricoque, nectarina, melocotón, ciruela)	Procesador de 4 cuchillas o minicuchilla. Uso: macedonia, salsa para postres		
Fresas	Procesador de 4 cuchillas o minicuchilla. Uso: macedonia, salsa para postres		

## GUÍA DE PROCESAMIENTO DE ALIMENTOS

ALIMENTOS	TIPO DE CUCHILLA (AMASADORA/ PROCESADOR DE 4 CUCHILLAS/ MINICUCHILLA)	ESPESOR AJUSTABLE DE LA CUCHILLA REBANADORA	TIPO DE DISCO RECOMENDADO (VIRUTAS/RALLADOR/JULIANA/ BATIDOR)
Mezclas	Amasador Uso: pasteles, crepes		Batidor Uso: pasteles, magdalenas, crepes
Pan rallado	Procesador de 4 cuchillas o minicuchilla. Uso: pan rallado para empanar o rellenar		
Queso			Rallador: fino o grueso. Uso: queso rallado
Chocolate	Procesador de 4 cuchillas o minicuchilla. Uso: ganache de chocolate		Rallador: fino o grueso. Uso: decoración para postres
Queso cremoso	Procesador de 4 cuchillas o minicuchilla. Uso: dips, tarta de queso		
Masas	Amasador Uso: pastelería, bollería, panadería		
Claras de huevo con función PULSE			Batidor Uso: espumas de huevo (no recomendadas para merengue o pavlova)
Huevos (duros)	Procesador de 4 cuchillas o minicuchilla. Uso: relleno de sándwich	2-5 Uso: relleno de sándwich	
Huevos (enteros o yemas) con función PULSE			Batidor Uso: mayonesa
Nata con función PULSE			Batidor Uso: función PULSE recomendada para evitar un procesamiento excesivo
Batidos y smoothies	Procesador de 4 cuchillas. Uso: se recomienda utilizar la función PULSE		
Carne (cruda) con función PULSE	Procesador de 4 cuchillas. Uso: albóndigas, hamburguesas		
Carne (cocida) con función PULSE	Procesador de 4 cuchillas Uso: rellenos para sándwiches, paté, comida para bebés		
Embutidos		1-6 Uso: sándwiches, entrantes, ingredientes para pizzas	

## CUIDADO, LIMPIEZA Y ALMACENAMIENTO

### CUIDADO Y LIMPIEZA

Una vez finalizado el procesamiento, apaga el procesador de alimentos y desenchufa el cable de la toma de corriente.

#### Base del motor

Limpia la base del motor con un paño limpio y húmedo después de cada uso. Sécalo bien con un paño suave y limpio.

#### Bol de procesamiento, tapa y empujador de alimentos

Lava a mano en agua caliente y jabonosa con un detergente suave. No utilices estropajos ni limpiadores abrasivos, ya que rayan la superficie de plástico. Las piezas de plástico pueden lavarse ocasionalmente en el lavavajillas (solo en el estante superior). No se recomienda lavar en el lavavajillas con regularidad, ya que la exposición prolongada a detergentes fuertes y agua caliente dañará y acortará la vida útil del plástico.

#### NOTA

No coloques el empujador de alimentos en el lavavajillas, ya que el calor puede deformarlo.

#### Procesador de 4 cuchillas, cuchilla amasadora y discos

Lava a mano el bol y la tapa. Utiliza el accesorio del cepillo de limpieza para limpiar los alimentos difíciles de las cuchillas y los discos. El extremo del asa del cepillo está diseñado para raspar. Para evitar cortes accidentales, no dejes el procesador de 4 cuchillas o los discos en remojo en agua espumosa. El procesador de 4 cuchillas, la cuchilla amasadora, los discos y el eje también se pueden lavar en el lavavajillas (solo en el estante superior).

#### NOTA

Para mayor seguridad, la cubierta del procesador de 4 cuchillas se puede montar en el procesador de 4 cuchillas al colocarlo en el lavavajillas.



### ADVERTENCIA

***El procesador de 4 cuchillas, la minicuchilla, y las cuchillas y los discos de procesamiento ajustables son extremadamente afilados y deben manejarse con cuidado en todo momento.***

***No sumerjas nunca en agua ni en ningún otro líquido la base del motor, el cable o el enchufe.***

***Nunca guardes el procesador de alimentos con el bol fijado y la tapa bloqueada en su posición. Si lo haces, el interruptor automático del asa del bol de procesamiento y el interruptor de seguridad automático de la base del motor se verán sometidos a una carga innecesaria.***

***No coloques ninguna pieza del procesador de alimentos en el microondas.***

## RESOLUCIÓN DE PROBLEMAS

PROBLEMA	SOLUCIÓN FÁCIL
<b>Los alimentos se procesan de manera desigual</b>	<ul style="list-style-type: none"> <li>• Los ingredientes deben cortarse de manera homogénea en trozos de 2,5 cm antes de ser procesados.</li> <li>• Los ingredientes deberán procesarse en cantidades específicas para evitar sobrecargas.</li> </ul>
<b>Las rebanadas están inclinadas o son desiguales</b>	<ul style="list-style-type: none"> <li>• Introduce los alimentos en la abertura para alimentos. Coloca el empujador sobre la comida y presiona hacia abajo. A continuación, pulsa Start.</li> </ul>
<b>Los alimentos se caen en la abertura para alimentos</b>	<ul style="list-style-type: none"> <li>• La abertura para alimentos grande debe llenarse completamente para obtener un mejor resultado. Si procesas cantidades más pequeñas, utiliza la abertura para alimentos pequeña.</li> </ul>
<b>Disco cortador de virutas</b>	<ul style="list-style-type: none"> <li>• Retira siempre cualquier patata atascada del disco cortador de virutas antes de procesar más patatas.</li> </ul>
<b>Algunos alimentos permanecen en el disco después del procesamiento</b>	<ul style="list-style-type: none"> <li>• Es normal que haya trozos pequeños después de ser procesados.</li> </ul>
<b>El motor se ralentiza al mezclar la masa</b>	<ul style="list-style-type: none"> <li>• Es posible que la cantidad de masa exceda la capacidad máxima. Retira la mitad y procesa en dos tandas.</li> <li>• Puede que la masa esté demasiado húmeda (consulta la página siguiente). Si el motor se acelera, continúa con el procesamiento. De lo contrario, añade cucharadas de harina de una en una hasta que el motor se acelere. Sigue procesando hasta que la masa limpie las paredes del bol de procesamiento.</li> </ul>
<b>Motor lento al arrancar con el procesador de 4 cuchillas</b>	<ul style="list-style-type: none"> <li>• La cantidad de carne puede haber excedido la capacidad máxima. Consulta el manual de instrucciones para ver las cantidades máximas. Retira la carne y procesa en dos tandas.</li> <li>• Para obtener el mejor resultado, separa la carne de la grasa antes de procesarla.</li> </ul>
<b>El motor no arranca</b>	<ul style="list-style-type: none"> <li>• Hay un interruptor de bloqueo de seguridad para evitar que el motor arranque si no está debidamente ensamblado. Asegúrate de que el bol de procesamiento, la tapa y el empujador estén bien colocados y bloqueados en su posición.</li> <li>• Si estás rebanando o rallando y la solución anterior no funciona, asegúrate de que los alimentos en la abertura para alimentos estén por debajo de la línea de llenado máximo, de modo que la varilla de activación pueda arrancar el motor.</li> <li>• Si el motor sigue sin arrancar, comprueba el cable de alimentación y la toma de corriente.</li> </ul>

## RESOLUCIÓN DE PROBLEMAS

PROBLEMA	SOLUCIÓN FÁCIL
<b>El procesador de alimentos se apaga durante el funcionamiento</b>	<ul style="list-style-type: none"> <li>• Es posible que la tapa se haya desbloqueado, comprueba que esté bien colocada.</li> <li>• Si el motor se sobrecarga, el icono de "SOBRECARGA" en la pantalla LCD comenzará a parpadear. Desconecta el aparato pulsando el botón POWER/OFF y desenchufa el cable. Deja que el procesador de alimentos se enfríe durante 20-30 minutos antes de continuar.</li> </ul>
<b>El motor se ha ralentizado durante el funcionamiento</b>	<ul style="list-style-type: none"> <li>• Esto es normal, ya que algunas cargas más pesadas pueden requerir un mayor esfuerzo del motor. Vuelve a colocar la comida en la abertura para alimentos y continúa procesando.</li> <li>• Es posible que se haya excedido la capacidad de carga máxima. Consulta el manual de instrucciones para ver las cantidades máximas. Retira algunos de los ingredientes y sigue procesando.</li> </ul>
<b>El procesador de alimentos vibra/ se mueve durante el procesamiento</b>	<ul style="list-style-type: none"> <li>• Asegúrate de que los pies de goma de la parte inferior de la unidad estén limpios y secos. Comprueba también que no se haya excedido la capacidad de carga máxima.</li> </ul>
<b>La masa no incorpora todos los ingredientes</b>	<ul style="list-style-type: none"> <li>• Al amasar la masa, arranca siempre el procesador de alimentos antes de añadir líquido. Añade el líquido en un chorro lento y constante permitiendo que los ingredientes secos lo absorban. Si añades demasiado líquido, espera hasta que los ingredientes se hayan mezclado en el bol de procesamiento y, a continuación, añade el líquido restante lentamente (no apagues la máquina). Vierte líquido sobre la masa a medida que pasa por debajo de la abertura para alimentos; no viertas líquido directamente sobre el fondo del bol de procesamiento.</li> </ul>
<b>La masa está demasiado dura después de amasar</b>	<ul style="list-style-type: none"> <li>• Divide la masa en 2 o 3 trozos y redistribúyelos uniformemente en el bol de procesamiento. Procesa durante 10 segundos o hasta que esté uniformemente suave y maleable.</li> </ul>
<b>La masa está demasiado seca</b>	<ul style="list-style-type: none"> <li>• Mientras la máquina está funcionando, añade cucharadas de agua de una en una a través de la abertura para alimentos pequeña hasta que la masa limpie las paredes del bol de procesamiento.</li> </ul>
<b>La masa está demasiado húmeda</b>	<ul style="list-style-type: none"> <li>• Mientras la máquina está funcionando, añade cucharadas de harina de una en una a través de la abertura para alimentos pequeña hasta que la masa limpie las paredes del bol de procesamiento.</li> </ul>

### **GARANTÍA LIMITADA DE 3 AÑOS Y GARANTÍA MOTORA LIMITADA DE 30 AÑOS**

La garantía de Sage Appliances cubre este producto para uso doméstico en territorios específicos durante 3 años para todas las piezas del producto y 30 años para el motor, a partir de la fecha de compra, contra fallos causados por mano de obra y materiales defectuosos. Durante el plazo de la garantía, Sage Appliances reparará o sustituirá productos defectuosos (a criterio de Sage Appliances).

Todos los derechos de garantía en virtud de la legislación nacional vigente serán respetados y no se verán afectados por nuestra garantía. Para consultar los términos y condiciones completos de la garantía, así como instrucciones sobre cómo hacer una reclamación, visite [www.sageappliances.com](http://www.sageappliances.com).

*the Kitchen Wizz Pro™*



PT MANUAL DO UTILIZADOR

**Sage®**

- 2 A Sage® recomenda a segurança como máxima prioridade
- 8 Componentes
- 10 Montagem
- 12 Guia do processamento de alimentos
- 16 Cuidados, limpeza e armazenamento
- 17 Resolução de problemas
- 19 Garantia

## A SAGE® RECOMENDA A SEGURANÇA COMO MÁXIMA PRIORIDADE

**Na Sage®, temos a máxima preocupação com a segurança. Concebemos e produzimos produtos para o consumidor principalmente com a sua segurança, o nosso prezado cliente, em mente. Além disso, pedimos que tenha cuidado quando utilizar qualquer aparelho elétrico e que cumpra as precauções seguintes.**

## CUIDADOS IMPORTANTES LEIA TODAS AS INSTRUÇÕES ANTES DE UTILIZAR E GUARDE-AS PARA CONSULTA FUTURA

- Está disponível uma versão transferível deste documento em [sageappliances.com](http://sageappliances.com)
- Antes de utilizar pela primeira vez, certifique-se de que a sua fonte de alimentação corresponde à indicada na etiqueta na parte inferior do aparelho.
- Remova e elimine todos os materiais da embalagem antes da primeira utilização.
- Para eliminar o risco de asfixia para as crianças, elimine de forma segura a cobertura de proteção instalada na ficha de alimentação.
- Este aparelho destina-se apenas a uso doméstico. Não utilize o aparelho para outra função diferente da utilização a que se destina. Não utilize em veículos em movimento ou barcos. Não utilize no exterior. A utilização incorreta pode causar ferimentos.
- Desenrole completamente o cabo de alimentação antes de utilizar.



## A SAGE® RECOMENDA A SEGURANÇA COMO MÁXIMA PRIORIDADE

- Coloque o aparelho numa superfície plana, estável, resistente ao calor e seca, afastado da extremidade e não utilize próximo de uma fonte de calor, como uma placa térmica, forno ou bico de gás.
- A vibração durante a operação pode fazer com que o aparelho se mova.
- Não deixe o cabo de alimentação pendurado sobre a extremidade de uma mesa ou bancada, em contacto com superfícies quentes nem permita que o cabo se enrosque.
- Este aparelho não deve ser utilizado por crianças.
- Desligue sempre o aparelho da alimentação se não tiver supervisão e antes de montar, desmontar ou limpar.
- As crianças não devem brincar com o aparelho.
- As tarefas de limpeza do aparelho e de manutenção realizadas pelo utilizador não devem ser executadas por crianças exceto caso tenham mais de 8 anos de idade e tenham supervisão.
- Mantenha o aparelho e o seu cabo fora do alcance das crianças.
- O aparelho pode ser utilizado por pessoas com capacidades físicas ou mentais reduzidas ou com uma falta de experiência e conhecimento, mas apenas se receberem supervisão ou instruções relativas ao uso seguro do aparelho e compreendem os perigos envolvidos.
- Não use o aparelho se o cabo de alimentação, a ficha ou o próprio aparelho estiverem danificados de qualquer maneira. Contacte o serviço de atendimento ao cliente da Sage ou aceda a [sageappliances.com](http://sageappliances.com) se o aparelho estiver danificado ou se for necessária qualquer tarefa de manutenção que não a de limpeza.
- Qualquer tarefa de manutenção que não a de limpeza deve ser realizada por um centro de assistência autorizado pela Sage®.
- Recomendamos a instalação de um comutador de segurança da corrente residual para fornecer segurança adicional ao utilizar todos os aparelhos elétricos. Recomendamos o uso de comutadores de segurança com uma corrente operacional nominal não superior a 30 mA. Consulte um electricista para obter aconselhamento profissional.

- Antes de utilizar, certifique-se sempre de que o aparelho foi montado corretamente de acordo com as instruções. O uso do aparelho sem estar corretamente montado pode provocar avarias do produto, danos no produto ou constituir um risco de segurança incluindo lesões pessoais.
- Não use o robô de cozinha sobre superfícies escorregadias, instáveis ou não uniformes, como na placa do lavatório.
- Mantenha as mãos, dedos, cabelo, vestuário bem como espátulas e outros utensílios afastados das peças móveis ou rotativas durante o funcionamento.
- Não utilize o aparelho para outra função que não a preparação de alimentos e/ou bebidas.
- Não ligue um dispositivo de comutação externo (como um temporizador) ou ligue o aparelho a um circuito que possa ligar e desligar regularmente o aparelho para evitar o possível risco de arranque do aparelho devido à reinicialização acidental da proteção contra sobrecarga.
- Mantenha o aparelho limpo. Cumpra as instruções de limpeza fornecidas neste livro.
- Este aparelho destina-se apenas a uso doméstico. Não utilize este aparelho para outra função diferente da utilização a que se destina. Não utilize em veículos em movimento ou barcos. Não utilize no exterior. A utilização incorreta pode causar ferimentos.
- Nunca use dispositivos suplementares ou acessórios que não sejam fornecidos com este produto ou autorizados pela Sage® para utilização neste produto. O não cumprimento desta instrução pode provocar avarias do produto, danos no produto ou constituir até um risco de segurança.
- No caso de acessórios opcionais autorizados pela Sage® para utilização neste produto, leia todas as instruções fornecidas com o acessório a par das instruções presentes neste folheto.
- Deve exercer os devidos cuidados ao remover os alimentos da taça de processamento certificando-se de que o motor, lâmina Quad™, lâmina de massa ou discos, pararam de se mover totalmente antes de os desmontar. Certifique-se de que premiu o botão OFF (Desligar) para desligar o motor; o aparelho deve ser desligado e a sua ficha deve ser retirada

**A SAGE® RECOMENDA A SEGURANÇA COMO MÁXIMA PRIORIDADE**

da tomada elétrica, antes de remover a tampa da taça.

A taça de processamento deve ser então desinstalada do corpo do motor e a lâmina Quad™, lâmina de massa ou discos cuidadosamente removidos antes de tentar remover os alimentos processados.

- Não processe alimentos quentes ou a ferver - aguarde até que os líquidos estejam frios antes de os colocar na taça de processamento. A súbita formação de vapor pode provocar salpicos de líquidos quentes e causar lesões.
- Certifique-se de que premiu o botão OFF (Desligar) e que a ficha do robô de cozinha foi retirada da tomada antes de instalar a lâmina Quad™, a lâmina de massa, os discos ou tampa de processamento.
- Não coloque a tampa de processamento na posição bloqueada quando o aparelho não está em uso para prevenir uma possível avaria do comutador automático da taça de processamento.
- Não coloque as mãos ou os dedos na taça do robô de cozinha exceto se o motor, a lâmina Quad™, a lâmina de massa ou discos estejam completamente parados.
- As lâminas e discos de processamento são extremamente afiados, e devem ser sempre manuseados com o máximo cuidado. Evite o contacto com as peças móveis durante o funcionamento. Mantenha as mãos, cabelo, vestuário, espátulas e outros utensílios fora da calha de alimentação do robô de cozinha para prevenir a ocorrência de lesões pessoais ou danos na batedeira. Utilize sempre o empurrador de alimentos para empurrar os alimentos na calha de alimentação.
- Manuseie o robô de cozinha e acessórios com cuidado – de salientar que as lâminas e discos são extremamente afiados e devem ser mantidos fora do alcance das crianças.
- Exerça os devidos cuidados ao manusear as lâminas de corte afiadas, ao esvaziar a taça e durante a limpeza.
- Não encha a taça acima dos níveis de líquido assinalados ou do nível seco de 15 chávenas (trituração). Coloque sempre os ingredientes mais secos ou espessos na taça de processamento antes de adicionar os líquidos.

- Nunca remova a tampa enquanto o robô de cozinha está em funcionamento. Utilize sempre o botão POWER/OFF (Ligar/Desligar) para desligar o aparelho antes de remover a tampa.
- Não coloque o robô de cozinha perto da extremidade de um banco ou mesa durante o funcionamento. Certifique-se de que a superfície está nivelada, limpa e livre de água, farinha, etc.
- Não coloque parte nenhuma do robô de cozinha no forno micro-ondas.
- Não deixe o robô de cozinha sem supervisão durante a utilização.
- Não movimente o robô de cozinha enquanto estiver em funcionamento.
- Nunca use dispositivos suplementares que não os fornecidos com o robô de cozinha.
- Não tente operar o robô de cozinha através de qualquer outro método que não um dos métodos descritos neste panfleto.
- Não use os seus dedos ou outros utensílios para empurrar os alimentos na calha de alimentação. Use sempre o empurrador de alimentos fornecido.
- Opere sempre o robô de cozinha com a tampa de processamento fixa na sua devida posição.
- Fixe sempre a taça de processamento na base do motor antes de instalar a lâmina Quad™, lâmina de massa ou discos.
- Não esmague gelo nas taças de processamento pequena ou grande. Isto irá danificar as lâminas (Quad™ ou minilâmina). Recomendamos o uso de uma liquidificadora para esmagar gelo.
- Ao misturar massa levedada, o tempo operacional do robô de cozinha não deve ser superior a 30 segundos. Deve permitir que o aparelho arrefeça antes da sua próxima utilização.
- Algumas misturas firmes, como no caso de massas, podem fazer com que a lâmina de processamento rode mais lentamente do que o normal. Se isto acontecer, não processe durante um período superior a 30 segundos.

**A SAGE® RECOMENDA A SEGURANÇA COMO MÁXIMA PRIORIDADE**

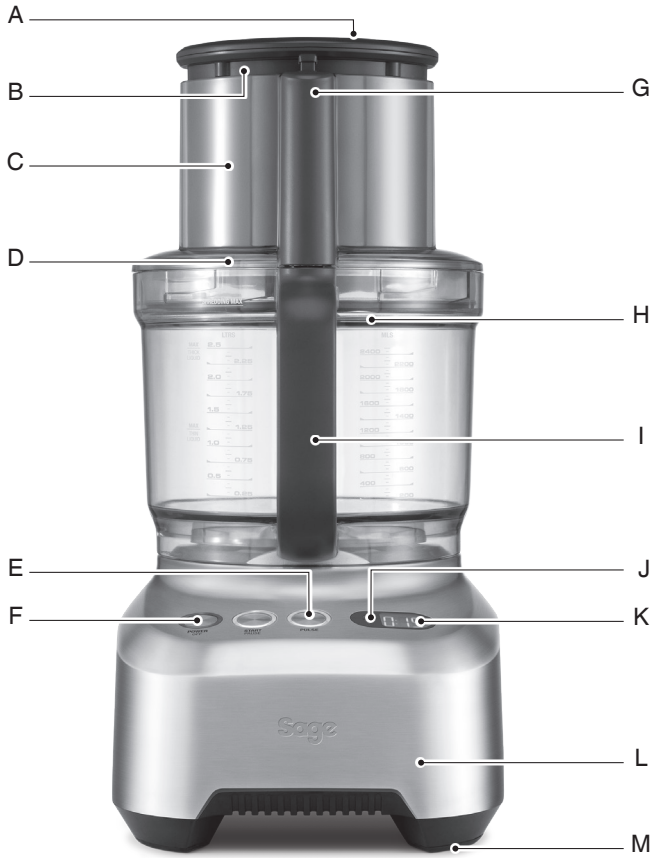
O símbolo apresentado indica que este aparelho não deve ser eliminado juntamente com os resíduos domésticos normais. Deve ser encaminhado para um centro de recolha de resíduos da autoridade local designado para este fim ou um revendedor que forneça este serviço. Contacte a Câmara Municipal local para obter mais informações.



Não coloque a ficha elétrica, o cabo ou o aparelho dentro de água ou qualquer outro líquido para proteger contra choques elétricos.

# GUARDE ESTAS INSTRUÇÕES

# COMPONENTES



## COMPONENTES

- A. Empurrador de alimentos pequeno
- B. Empurrador de alimentos grande
- C. Calha de alimentação extra larga
- D. Tapa de processamento
- E. Botão PULSE (Impulso)
- F. Botão POWER / OFF (Ligar/Desligar)
- G. Sistema de segurança da calha de alimentação
- H. Vedante de silicone
- I. Taça de processamento com pega
- J. Temporizador crescente e decrescente
- K. Ecrã LCD
- L. Base do motor de transmissão direta
- M. Pés de borracha antideslizantes
- N. Disco de corte juliana
- O. Cortador de batatas fritas
- P. Triturador reversível
- Q. Cortador em fatias ajustável
- R. Batedor de varas/Disco emulsionante
- S. Robô com 4 lâminas
- T. Lâmina de massa
- U. Minilâmina de processamento
- V. Eixo do disco
- W. Recipiente de armazenamento com tampa

### NÃO ILUSTRADO

- Escova de limpeza
- Espátula plástica
- Minitaça de processamento
- Armazenamento do cabo
- Ficha Sage® Assist

## MONTAGEM

### ANTES DA PRIMEIRA UTILIZAÇÃO

Deve familiarizar-se com todas as peças antes de utilizar o robô de cozinha Sage®. Remova todos os materiais de embalagem e etiquetas promocionais, tendo os devidos cuidados ao manusear as lâminas de processamento e discos visto que são muito afiados. Lave a taça de processamento, a tampa de processamento e todos os acessórios com água morna e detergente. Enxague e deixe secar devidamente. (Consulte a secção Limpeza, cuidados e armazenamento.)

1. Coloque a base do motor numa superfície de trabalho seca e nivelada. Coloque a taça de processamento na base do motor com a pega alinhada com o gráfico ALIGN HANDLE (Alinhar Pega) existente na base do motor.



2. Rode a taça de processamento no sentido dos ponteiros do relógio até que a pega esteja alinhada com o gráfico TURN TO LOCK (RODAR PARA BLOQUEAR). A taça de processamento deve estar firmemente fixa na sua devida posição.



3. Se utilizar um disco, monte primeiro o eixo do disco no acoplamento da transmissão da taça. Oriente o disco de maneira que o lado que pretende utilizar fique virado para cima. Segure o disco pela parte plástica central e posicione o orifício central acima do eixo de encaixe. Empurre para baixo firmemente até estar encaixado corretamente.  
(De salientar que estes discos só cabem na taça de processamento maior.)



4. Se utilizar as lâminas de processamento, agarre cuidadosamente o robô com 4 lâminas, a lâmina de massa ou a minilâmina de processamento utilizado o suporte central plástico e posicione-o por cima do acoplamento da transmissão da taça e empurre para baixo até estar encaixado corretamente. Se utilizar a minilâmina de processamento, certifique-se de que a minitaça de processamento é montada primeiro na taça principal.





## MONTAGEM

5. Coloque a tampa de processamento na taça de processamento para que a calha de alimentação fique posicionada ligeiramente à direita da pega da taça e os gráficos da seta fiquem alinhados <sup>ALIGN</sup> <sub>LOCK</sub>. Segurando a calha de alimentação e, simultaneamente, empurrando para baixo firmemente, rode a tampa no sentido dos ponteiros do relógio (conforme indicado pelo gráfico) de maneira que a "Patilha de Bloqueio" na tampa se encaixe no "Fecho de Interbloqueio de Segurança" na pega. A tampa deve estar firmemente fixa na sua devida posição.



### NOTA

O robô de cozinha só funciona quando a taça de processamento e tampa estão fixas corretamente na sua devida posição.

### CUIDADO

**A lâmina de processamento (incluindo a minilâmina da minitaça) e os discos são extremamente afiados, e devem ser sempre manuseados com o máximo cuidado.**

6. Insira a ficha numa tomada elétrica de 220–240 volts e ligue a alimentação.
7. No final do processamento, aguarde sempre até que as lâminas ou discos parem de rodar antes de desbloquear e remover a tampa. Para remover a tampa de processamento, certifique-se de que premiu o botão POWER / OFF (Ligar/Desligar) para desligar a alimentação e que a ficha foi retirada da tomada elétrica. Segurando a calha de alimentação e, simultaneamente, empurrando para baixo firmemente, rode a tampa no sentido contrário ao dos ponteiros do relógio de maneira que os gráficos da seta já não estejam alinhados.
8. Remova a taça de processamento (antes de remover a lâmina ou os discos) rodando-a no sentido contrário ao dos ponteiros do relógio até que a pega esteja alinhada com a indicação ALIGN HANDLE (Alinhar Pega). Levante a taça para a retirar do eixo do motor. Ao remover os discos – remova cuidadosamente agarrando no núcleo plástico no centro do disco e levantando este último para cima e afastando-o do pino no eixo.

## SISTEMA DE PROTEÇÃO DE SOBRECARGA

Na eventualidade de sobrecarga do motor, o robô de cozinha entra no modo STANDBY (Em Espera) e o ícone OVERLOAD (Sobrecarga) irá começar a piscar no ecrã LCD. Pode ainda desligar o robô de cozinha premindo o botão POWER / OFF (Ligar/Desligar). Deixe o robô de cozinha arrefecer durante cerca de 30 minutos antes de o operar novamente.

Algumas misturas firmes, como no caso de massas, podem fazer com que a lâmina de massa rode mais lentamente do que o normal. Se isto acontecer, não processe durante um período superior a 1 minuto.

## GUIA DO PROCESSAMENTO DE ALIMENTOS

### NOTA

O robô de cozinha é um aparelho muito potente e recomendamos o uso da função PULSE (Impulso) sempre que possível para evitar cortar ou bater excessivamente.

ALIMENTOS	TIPO DE LÂMINA (MASSA/ROBÔ COM 4 LÂMINAS/MINI)	ESPESSURA DA LÂMINA DE CORTE EM FATIAS AJUSTÁVEL	TIPO DE DISCO RECOMENDADO (CORTAR EM TIRAS/TRITURAR/CORTAR EM JULIANA/BATER COM BATEDOR DE VARAS)
Abacate	Robô com 4 lâminas ou mini Utilização: Guacamole	2-5	
Espargo (cozinhado)	Robô com 4 lâminas ou mini Utilização: Molho de espargos		
Beterraba		2-5	Uso para triturar: Salada
Brócolos (cozinhados)	Robô com 4 lâminas Utilização: Sopa de brócolos		
Couve		Fina 1-2 e Média 2-3 Utilização: Acompanhamentos	Uso para triturar: Salada
Cenoura	Robô com 4 lâminas ou mini Utilização: Sopa de legumes	0-5	Uso para triturar: Salada
Couve-flor (cozinhada)	Robô com 4 lâminas ou mini Utilização: Sopa de couve-flor		
Aipo	Robô com 4 lâminas ou mini Utilização: Sopa de legumes	Fina 1-2 e Média 2-3 Utilização: Salada	
Chili	Robô com 4 lâminas ou mini Utilização: Tempero		
Beringela	Robô com 4 lâminas ou mini Utilização: Acompanhamentos, sopas	2-5 Utilização: Beringela grelhada	Triturar ou cortar em juliana Utilização: Acompanhamentos de refeições
Alho	Robô com 4 lâminas ou mini Utilização: Tempero		
Gengibre	Robô com 4 lâminas ou mini Utilização: Tempero		
Ervas aromáticas	Robô com 4 lâminas ou mini Utilização: Tempero, pesto		
Alho francês	Robô com 4 lâminas ou mini Utilização: Cozinhado para sopas	2-5 Utilização: Sopa de legumes	
Alface		2-4 Utilização: Salada	
Cogumelos (crus)	Robô com 4 lâminas ou mini Utilização: Sopa de legumes	4-6 Utilização: Salada, sopa de legumes, molho de cogumelos, sopa de cogumelos	

## GUIA DO PROCESSAMENTO DE ALIMENTOS

ALIMENTOS	TIPO DE LÂMINA (MASSA/ROBÔ COM 4 LÂMINAS/MINI)	ESPESSURA DA LÂMINA DE CORTE EM FATIAS AJUSTÁVEL	TIPO DE DISCO RECOMENDADO (CORTAR EM TIRAS/TRITURAR/CORTAR EM JULIANA/BATER COM BATEDOR DE VARAS)
Cogumelos (cozinhados)	Robô com 4 lâminas Utilização: Sopa de cogumelos	4–6 Utilização: Salada, sopa de legumes, molho de cogumelos, sopa de cogumelos	
Cebola	Robô com 4 lâminas ou mini Utilização: Sopas, molhos	0–5 Utilização: Salada	
Cherovia	Robô com 4 lâminas ou mini Utilização: Sopa de legumes	2–5 Utilização: Lasanha de vegetais	
Cherovia (cozinhada)	Robô com 4 lâminas Utilização: Acompanhamentos		
Ervilhas (cozinhadas)	Robô com 4 lâminas ou mini Utilização: Acompanhamentos, comida para bebê		
Batatas		0,5–6 Utilização: Batatas cozidas	Cortar em tiras/ Cortar em juliana/ Triturar Utilização: Batatas fritas
Batatas (cozinhadas)	Robô com 4 lâminas ou mini Utilização: Puré de batata, Skordalia		
Espinafres	Robô com 4 lâminas ou mini Utilização: Acompanhamentos		
Espinafres (cozinhados)	Robô com 4 lâminas ou mini Utilização: Creme de espinafres		
Colza	Robô com 4 lâminas ou mini Utilização: Sopa de legumes, creme de colza		
Tomates	Robô com 4 lâminas ou mini Utilização: Molhos para salada	2–5 Utilização: recheio de sanduíches, salada de tomate e queijo tipo bocconcini, molhos de tomate	
Curgete		3–6 Utilização: Acompanhamentos, fatias de curgete, gratinado	Triturador – Grosseiro ou fino Utilização: Salada, Fritata
Maçã	Robô com 4 lâminas ou mini Utilização: Molho de maçã	2–5 Utilização: Molho de maçã	
Maçã (cozinhada)	Robô com 4 lâminas ou mini Utilização: Comida para bebê	4–6 Utilização: Salada de fruta	
Banana	Robô com 4 lâminas ou mini Utilização: Molhos para sobremesas		

## GUIA DO PROCESSAMENTO DE ALIMENTOS

ALIMENTOS	TIPO DE LÂMINA (MASSA/ROBÔ COM 4 LÂMINAS/MINI)	ESPESSURA DA LÂMINA DE CORTE EM FATIAS AJUSTÁVEL	TIPO DE DISCO RECOMENDADO (CORTAR EM TIRAS/TRITURAR/CORTAR EM JULIANA/BATER COM BATEDOR DE VARAS)
Frutos vermelhos	Robô com 4 lâminas ou mini Utilização: Salada de fruta		
Citrinos	Robô com 4 lâminas ou mini Utilização: Fruta picada		
Casca de citrinos	Robô com 4 lâminas ou mini Utilização: Salada de fruta		
Fruta seca	Robô com 4 lâminas ou mini Utilização: Salada de fruta, molhos para sobremesas		
Kiwi	Robô com 4 lâminas ou mini Utilização: Salada de fruta, molhos para sobremesas	4-6 Utilização: Decoração de sobremesas	
Manga	Robô com 4 lâminas ou mini Utilização: Salada de fruta, molhos para sobremesas		
Melão (Honeydew / Meloa)	Robô com 4 lâminas ou mini Utilização: Salada de fruta		
Pera	Robô com 4 lâminas ou mini Utilização: Salada de fruta	4-6 Utilização: Tarte de pera	
Pera (cozinhada)	Robô com 4 lâminas ou mini Utilização: Comida para bebê		
Ananás	Robô com 4 lâminas ou mini Utilização: Salada de fruta		
Fruta com caroço (Alperce, Nectarina, Pêssego, Ameixa)	Robô com 4 lâminas ou mini Utilização: Salada de fruta, molhos para sobremesas		
Morangos	Robô com 4 lâminas ou mini Utilização: Salada de fruta, molhos para sobremesas		
Massas	Massas Utilização: Bolos, crepes		Batedor de varas Utilização: bolos muffins, crepes
Pão ralado	Robô com 4 lâminas ou mini Utilização: Coberturas, recheio com pão ralado		
Queijo			Triturador – Grosseiro ou fino Utilização: Queijo ralado

## GUIA DO PROCESSAMENTO DE ALIMENTOS

ALIMENTOS	TIPO DE LÂMINA (MASSA/ROBÔ COM 4 LÂMINAS/MINI)	ESPESSURA DA LÂMINA DE CORTE EM FATIAS AJUSTÁVEL	TIPO DE DISCO RECOMENDADO (CORTAR EM TIRAS/TRITURAR/CORTAR EM JULIANA/BATER COM BATEDOR DE VARAS)
Chocolate	Robô com 4 lâminas ou mini Utilização: Ganache de chocolate		Triturador – Grosseiro ou fino Utilização: Decoração de sobremesas
Queijo creme	Robô com 4 lâminas ou mini Utilização: Molhos, cheesecake		
Massas	Massas Utilização: Pastelaria, scones, pão		
Claras de ovo Use a função Pulse (Impulso)			Batedor de varas Utilização: Espumas de ovo (não recomendado para merengue, pavlova)
Ovos (cozidos)	Robô com 4 lâminas ou mini Utilização: Recheio de sanduíches	2–5 Utilização: recheio de sanduíches	
Ovos (Inteiros ou gemas) Use a função Pulse (Impulso)			Batedor de varas Utilização: Maionese
Creme Use a função Pulse (Impulso)			Batedor de varas Utilização: recomendamos o uso da função PULSE (Impulso) para evitar bater excessivamente
Batidos	Robô com 4 lâminas Utilização: recomendamos o uso da função Pulse (Impulso)		
Carne (crua) Use a função Pulse (Impulso)	Robô com 4 lâminas Utilização: Carne picada, rolo de carne, hambúrgueres		
Carne (cozinhada) Use a função Pulse (Impulso)	Robô com 4 lâminas Utilização: Recheio de sanduíches, patê, comida para bebê		
Carne (Charcutaria)		1–6 Utilização: Sanduíches, antepasto, coberturas de pizza	

### CUIDADOS E LIMPEZA

Quando concluir o processamento, desligue o robô de cozinha e retire a ficha da tomada elétrica.

#### Base do motor

Limpe a base do motor com um pano limpo e humedecido após cada utilização. Seque cuidadosamente com um pano macio e limpo.

#### Taça de processamento, tampa e empurrador de alimentos

Lave à mão com água quente e detergente líquido suave. Não use esfregões abrasivos ou produtos de limpeza abrasivos visto que irão riscar a superfície. Ocasionalmente, pode lavar as peças plásticas na máquina de lavar louça (apenas na prateleira superior). Não recomendamos a lavagem regular destes componentes na máquina de lavar louça, visto que a exposição prolongada a água quente e detergentes abrasivos irá danificar e reduzir a vida útil dos componentes plásticos.

#### NOTA

Não lave o empurrador de alimentos na máquina de lavar louça visto que pode ser deformado pelo calor.

#### Robô com 4 lâminas de processamento, lâmina de massa e discos

Lave a taça de processamento e a tampa à mão. Use o acessório da escova de limpeza para remover resíduos de alimentos das lâminas e discos. A extremidade da pega da escova foi concebida para atuar como raspador. Para evitar cortes acidentais, não deixe o robô com 4 lâminas ou os discos de molho em água com detergente. O robô com 4 lâminas, a lâmina de massa, os discos e o eixo podem também ser lavados na máquina de lavar louça (apenas na prateleira superior).

#### NOTA

A cobertura do robô com 4 lâminas pode ser montada sobre este último enquanto está na máquina de lavar louça para maior segurança.



### AVISO

***O robô com 4 lâminas, mini e lâminas de processamento ajustáveis e discos são extremamente afiados, e devem ser sempre manuseados com o máximo cuidado.***

***Nunca submerja a base do motor, o cabo de alimentação ou a ficha em água ou qualquer outro líquido.***

***Nunca armazene o robô de cozinha com a taça instalada e a tampa bloqueada na sua devida posição. Isto irá provocar tensão desnecessária no interruptor de funcionamento automático situado na pega da taça de processamento e no interruptor de segurança automática existente na base do motor.***

***Não coloque parte nenhuma do robô de cozinha no forno micro-ondas.***

## RESOLUÇÃO DE PROBLEMAS

PROBLEMA	SOLUÇÃO FÁCIL
<b>Os alimentos são processados irregularmente</b>	<ul style="list-style-type: none"> <li>Os ingredientes devem ser cortados uniformemente em bocados de 2,5 cm antes de serem processados.</li> <li>Os ingredientes devem ser processados em lotes para evitar uma sobrecarga.</li> </ul>
<b>As fatias estão inclinadas ou irregulares</b>	<ul style="list-style-type: none"> <li>Introduza os alimentos na calha de alimentação. Coloque o empurrador sobre os alimentos e aplique pressão. Prima Start (Iniciar) depois.</li> </ul>
<b>Os alimentos tombam na calha de alimentação</b>	<ul style="list-style-type: none"> <li>Deve encher a calha de alimentação grande para assegurar os melhores resultados. Use a calha de alimentação pequena se processar quantidades mais pequenas de alimentos.</li> </ul>
<b>Disco de corte em tiras</b>	<ul style="list-style-type: none"> <li>Remova sempre qualquer resíduos de batata do disco de corte em tiras antes de processar mais batatas.</li> </ul>
<b>Alguns resíduos de alimentos permanecem no disco após o processamento</b>	<ul style="list-style-type: none"> <li>É normal que bocados pequenos de alimentos permaneçam após o processamento.</li> </ul>
<b>O motor abranda ao misturar massas</b>	<ul style="list-style-type: none"> <li>A quantidade de massa pode exceder a capacidade máxima. Remova metade da massa e processe como dois conjuntos.</li> <li>A massa pode estar demasiado húmida (consultar página seguinte). Se o motor acelerar, continue a processar. Caso contrário, adicione mais farinha, 1 colher de sopa de cada vez até o motor acelerar. Processe até que a massa deixe de aderir aos lados da taça de processamento.</li> </ul>
<b>O motor demora a arrancar com o robô com 4 lâminas</b>	<ul style="list-style-type: none"> <li>A quantidade de carne pode exceder a capacidade máxima. Consulte o Folheto de Instruções para obter a indicação das quantidades máximas. Remova a carne e processe como dois conjuntos.</li> <li>De salientar que para assegurar os melhores resultados, deve aparar a gordura da carne antes de processar.</li> </ul>
<b>O motor não arranca</b>	<ul style="list-style-type: none"> <li>Existe um fecho de interbloqueio de segurança para impedir o arranque do motor se não estiver corretamente montado. Certifique-se de que a taça de processamento, a tampa e o empurrador estão devidamente fixos na sua devida posição.</li> <li>Se estiver a cortar em fatias ou a triturar e a solução acima não funcionar, certifique-se de que os alimentos na calha de alimentação são cortados abaixo da linha de enchimento máximo para que a vareta de ativação consiga ativar o motor.</li> <li>Inspeccione o cabo de alimentação e a tomada elétrica se ainda assim o motor não arrancar.</li> </ul>

## RESOLUÇÃO DE PROBLEMAS

PROBLEMA	SOLUÇÃO FÁCIL
<b>O robô de cozinha desliga-se durante o funcionamento</b>	<ul style="list-style-type: none"><li>• A tampa pode estar desbloqueada; certifique-se de que está fixa na sua devida posição.</li><li>• Na eventualidade de sobrecarga do motor, o ícone "OVERLOAD" (Sobrecarga) irá começar a piscar no ecrã LCD. Desligue premindo o botão POWER / OFF (Ligar/Desligar) e retire a ficha do cabo de alimentação da tomada elétrica. Permita que o robô de cozinha arrefeça durante 20–30 minutos antes de retomar o funcionamento.</li></ul>
<b>O motor abrandou durante o funcionamento</b>	<ul style="list-style-type: none"><li>• Isto é normal com determinadas cargas mais pesadas, as quais podem exigir que o motor trabalhe mais arduamente. Reposicione os alimentos na calha de alimentação e continue a processar.</li><li>• A capacidade de carga máxima pode ter sido excedida. Consulte o Folheto de Instruções para obter a indicação das quantidades máximas. Remova alguns dos ingredientes e continue a processar.</li></ul>
<b>O robô de cozinha vibra/move-se durante o processamento</b>	<ul style="list-style-type: none"><li>• Certifique-se de que os pés de borracha na parte inferior da unidade estão limpos e secos. Certifique-se também de que a capacidade de carga máxima não está a ser excedida.</li></ul>
<b>A massa não incorpora completamente os ingredientes</b>	<ul style="list-style-type: none"><li>• Ao amassar a massa, deve ligar sempre o robô de cozinha antes de adicionar líquido. Adicione o líquido num fluxo lento e contínuo, permitindo que os ingredientes secos o absorvam. Se adicionar líquido a mais, aguarde até os ingredientes na taça de processamento terem sido misturados e, em seguida, adicione o restante líquido lentamente (não desligue o aparelho). Despeje o líquido na massa à medida que ela passa debaixo da abertura da calha de alimentação, não despeje o líquido diretamente no fundo da taça de processamento.</li></ul>
<b>A massa parece dura depois de amassar</b>	<ul style="list-style-type: none"><li>• Divida a massa em 2 ou 3 partes e redistribua as partes uniformemente pela taça de processamento. Processe durante 10 segundos ou até que a massa esteja uniformemente macia e maleável.</li></ul>
<b>A massa está demasiado seca</b>	<ul style="list-style-type: none"><li>• Enquanto o aparelho está a funcionar, adicione água através da calha de alimentação pequena, 1 colher de sopa de cada vez até a massa deixar de aderir aos lados da taça de processamento.</li></ul>
<b>A massa está demasiado húmida</b>	<ul style="list-style-type: none"><li>• Enquanto o aparelho está a funcionar, adicione farinha através da calha de alimentação pequena, 1 colher de sopa de cada vez até que a massa deixe de aderir aos lados da taça de processamento.</li></ul>



## GARANTIA

### **GARANTIA LIMITADA DE 3 ANOS E GARANTIA LIMITADA DO MOTOR DE 3 ANOS**

A Sage Appliances fornece uma garantia para este produto para uso doméstico nos territórios especificados de 3 anos para todas as peças do produto e de 30 anos para o motor do produto a partir da data de compra contra avarias provocadas por defeitos na mão-de-obra e nos materiais. Durante este período da garantia, a Sage Appliances irá reparar, substituir ou reembolsar qualquer produto defeituoso (sob o critério exclusivo da Sage Appliances).

Todos os direitos legais da garantia ao abrigo da legislação nacional aplicável serão respeitados e não serão afetados pela nossa garantia.

Visite [www.sageappliances.com](http://www.sageappliances.com) para consultar os termos e condições completos da garantia, bem como as instruções sobre como efetuar uma reclamação.



# *the Kitchen Wizz Pro™*

BFP800/SFP800



PL INSTRUKCJA OBSŁUGI

# Sage®

- 2 Ważne zalecenia dotyczące bezpieczeństwa
- 6 Opis Twojego nowego urządzenia
- 8 Montaż i obsługa
- 10 Katalog funkcji
- 14 Konserwacja i czyszczenie
- 15 Rozwiązywanie problemów
- 17 Gwarancja

## WAŻNE ZALECENIA DOTYCZĄCE BEZPIECZEŃSTWA

**W Sage® zdajemy sobie sprawę z wagi bezpieczeństwa. Projektujemy i produkujemy urządzenia przede wszystkim z troską o bezpieczeństwo użytkownika. Prosimy jednak o ostrożność i przestrzeganie podczas użytkowania urządzenia elektrycznego następujących zaleceń dotyczących bezpieczeństwa.**

## WAŻNE ZALECENIA

**PODCZAS UŻYTKOWANIA URZĄDZEŃ ELEKTRYCZNYCH NALEŻY PRZESTRZEGAĆ PODSTAWOWYCH ZALECEŃ DOTYCZĄCYCH BEZPIECZEŃSTWA:**

- Pełny tekst instrukcji dostępny jest na stronach [sageappliances.com](http://sageappliances.com).
- Przed pierwszym użyciem upewnij się, że napięcie

w gniazdku sieciowym odpowiada napięciu podanemu na tabliczce znamionowej na spodzie urządzenia.

- Przed pierwszym użyciem urządzenia usuń i w bezpieczny i ekologiczny sposób zutylizuj wszelkie materiały pakunkowe.
- Aby wykluczyć ryzyko uduszenia małych dzieci, usuń opakowanie ochronne wtyczki kabla sieciowego tego urządzenia i w bezpieczny sposób je zutylizuj.
- Urządzenie jest przeznaczone wyłącznie do użytku w domu. Pod żadnym pozorem nie używaj urządzenia do innych celów niż te, do których jest ono przeznaczone. Nie używaj tego urządzenia w poruszających się pojazdach ani na statkach. Nie należy korzystać z niego na dworze. W przeciwnym razie istnieje ryzyko powstania obrażeń.
- Przed użyciem rozwiń całkowicie kabel zasilania.
- Umieść urządzenie na stabilnej, równej i suchej powierzchni odpornej na działanie wysokiej temperatury, daleko od krawędzi blatu; nie umieszczaj urządzenia w pobliżu źródeł ciepła, takich jak kuchenki, piekarniki lub palniki gazowe.
- Drgania podczas użytkowania mogą spowodować niepożądane przesuwanie się urządzenia.

**WAŻNE ZALECENIA DOTYCZĄCE BEZPIECZEŃSTWA**

- Nie przewieszaj kabla zasilającego przez krawędź stołu lub blatu roboczego. Zadbaj o to, aby nie dotykał gorących powierzchni ani się nie zaplątał.
- Przed przesunięciem, demontażem, czyszczeniem lub przechowywaniem lub jeśli nie będziesz korzystać z urządzenia, upewnij się, że jest wyłączone, odłączone od sieci i ostygnięte.
- Gdy nie będziesz korzystać z urządzenia, zawsze je wyłącz i odłącz kabel zasilający z gniazdka sieciowego.
- Nie korzystaj z urządzenia, jeśli jest w jakikolwiek sposób uszkodzone lub jeśli uszkodzony jest kabel zasilający lub wtyczka. Naprawy i konserwację wykraczającą poza zwykłe czyszczenie należy powierzyć najbliższemu autoryzowanemu serwisowi Sage lub znaleźć pomoc na [sageappliances.com](http://sageappliances.com).
- Wszelkie naprawy należy powierzyć najbliższemu autoryzowanemu serwisowi Sage.
- Dzieciom nie wolno bawić się urządzeniem.
- Czyszczenie i konserwację przeprowadzaną przez użytkownika można powierzyć dzieciom tylko w przypadku, że ukończyły 8 rok życia i są pod nadzorem.
- Urządzenie i jego kabel zasilający należy przechowywać poza zasięgiem dzieci poniżej 8 roku życia.
- Zaleca się zainstalowanie ochronnika przepięciowego (standardowy włącznik w gniazdku) w celu zagwarantowania zwiększonej ochrony podczas użytkowania urządzenia. Zaleca się, aby ochronnik przepięciowy (z nominalnym prądem szczytkowym max. 30 mA) był zainstalowany w obwodzie elektrycznym, w którym urządzenie będzie użytkowane. Zwróć się do swego elektryka o specjalistyczną pomoc.
- Przed podłączeniem urządzenia do gniazdka elektrycznego i jego włączeniem, sprawdź, czy jest kompletnie i prawidłowo zmontowane. Urządzenie się nie włączy, jeśli nie zostało prawidłowo złożone.
- Nie korzystaj z urządzenia na metalowym podłożu, na przykład w zlewie.
- Zachowaj ostrożność podczas używania urządzenia – nie zbliżaj rąk, palców, włosów, odzieży, łyżek ani innych przyborów kuchennych do ruchomych lub obracających się części.
- Pod żadnym pozorem nie używaj urządzenia do innych

- celów niż przyrządzanie potraw i/lub napojów.
- Nie korzystaj z tego urządzenia przy pomocy programatora, czasowego włącznika ani jakiegokolwiek innej części włączającej urządzenie automatycznie.
  - Przed rozpoczęciem obsługi urządzenia dokładnie przeczytaj wszystkie instrukcje i zachowaj je w bezpiecznym miejscu, by móc z nich skorzystać w przyszłości.
  - Z urządzenia mogą korzystać osoby o obniżonych zdolnościach fizycznych, percepcyjnych i umysłowych lub niewielkim doświadczeniu i wiedzy, o ile jest nad nimi sprawowany nadzór lub zostały one pouczone o korzystaniu z urządzenia w bezpieczny sposób i zdają sobie sprawę z ewentualnego niebezpieczeństwa.
  - Z tego urządzenia nie mogą korzystać dzieci.
  - Nie pozostawiaj włączonego urządzenia bez nadzoru.
  - Do przeciskania produktów przez otwór wsypowy nie używaj w żadnym przypadku palców, rąk, łyżki kuchennej lub innych przyborów kuchennych. Zawsze korzystaj z dostarczonego popychacza. Nie wkładaj rąk ani palców do otworu wsypowego, gdy jest założony na korpus.
  - Nie wkładaj żadnej części urządzenia do kuchenki mikrofalowej.
  - Nie manipuluj urządzeniem, gdy jest uruchomione.
  - Z urządzeniem i wyposażeniem obchodź się ostrożnie – uważaj podczas manipulowania nożami i tarczami, są bardzo ostre i powinny być przechowywane poza zasięgiem dzieci.
  - Przed założeniem noża, noża ugniatającego lub tarczy upewnij się, że pojemnik jest umocowany na korpusie.
  - Zawsze upewnij się, że pokrywa jest prawidłowo założona na urządzeniu.
  - Przed zdjęciem pokrywy upewnij się, że wciśnięto przycisk OFF, aby wyłączyć silnik, że urządzenie jest wyłączone z zasilania oraz że kabel zasilania jest odłączony z gniazdka sieciowego. Następnie można zdjąć naczynie z korpusu i przed wyjęciem produktów spożywczych ostrożnie wyjąć noże, noże ugniatające lub tarczę.
  - Nie używaj urządzenia do kruszenia lodu. Grozi uszkodzeniem ostrz noży. Do kruszenia lodu używaj przeznaczonych do tego mikserów.

## WAŻNE ZALECENIA DOTYCZĄCE BEZPIECZEŃSTWA

- Nie miksuj gorących lub wrzących płynów. Przed wlaniem do pojemnika należy je ostudzić.
- Podczas napełniania składnikami płynnymi i stałymi zawsze przestrzegaj znacznika maximum. Do naczynia najpierw wkładaj produkty sypkie, a następnie płyny.
- Nie zaleca się przechowywania urządzenia ze złożonym pojemnikiem i pokrywą, ponieważ przypadkowe obciążenie mogłoby spowodować uszkodzenie wyłączników na korpusie lub pojemniku.
- Z urządzenia należy korzystać wyłącznie w sposób opisany w niniejszej instrukcji obsługi.
- Niektóre gęste mieszaniny, takie jak ciasta, mogą spowodować zwolnienie obrotów noży. W takim przypadku nie używaj urządzenia dłużej niż 1 minutę.



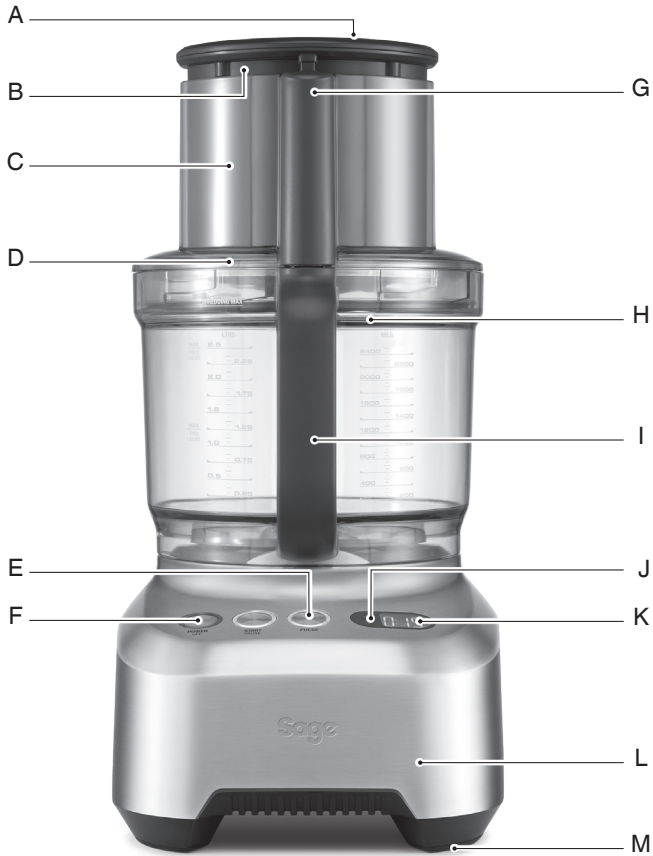
Ten symbol umieszczony na produktach lub w dokumentacji przewodniej oznacza, że zużyte urządzenia elektryczne lub elektroniczne nie mogą być wyrzucane wraz ze zwykłym odpadem komunalnym. Aby je prawidłowo zutylizować, odnowić lub poddać recyklingowi, oddaj te wyroby do odpowiednich punktów skupu. Szczegółowych informacji udzieli najbliższy lokalny urząd lub najbliższy punkt zbiórki odpadów.



Aby uniknąć porażenia prądem elektrycznym, nie wolno zanurzać przewodu zasilającego, wtyczki przewodu zasilającego lub korpusu urządzenia w wodzie lub innej cieczy.

# ZACHOWAJ NINIEJSZE INSTRUKCJE

# OPIS TWOJEGO NOWEGO URZĄDZENIA





## OPIS TWOJEGO NOWEGO URZĄDZENIA

- |  |   |
|--|---|
| <ul style="list-style-type: none"> <li>A. Mały popychacz</li> <li>B. Duży popychacz</li> <li>C. Bardzo szeroki otwór wysypowy</li> <li>D. Pokrywa</li> <li>E. Przycisk PULSE</li> <li>F. Przycisk POWER/OFF</li> <li>G. Zabezpieczenie otworu wysypowego</li> <li>H. Silikonowa uszczelka</li> <li>I. Misa z uchwytem</li> <li>J. Przyciski timera</li> <li>K. Wyświetlacz LCD</li> <li>L. Podstawa silnika</li> <li>M. Nóżki antypoślizgowe</li> <li>N. Tarcza do drobnego krojenia</li> <li>O. Tarcza do frytek</li> <li>P. Dwustronna tarcza do krojenia</li> <li>Q. Tarcza z regulowaną grubością krojenia</li> <li>R. Tarcza do ubijania i emulgowania</li> <li>S. Duży nóż rozdrabniający</li> <li>T. Nóż do ugniatania</li> <li>U. Mały nóż rozdrabniający</li> <li>V. Wał</li> <li>W. Pojemnik do przechowywania z pokrywką</li> </ul> | <p><b>NIE POKAZANO</b></p> <ul style="list-style-type: none"> <li>Szczotka do czyszczenia</li> <li>Plastikowa szpatułka</li> <li>Mała miska</li> <li>Miejsce na ułożenie kabla zasilającego</li> <li>Wtyczka Sage®</li> </ul> |
|--|---|



### Informacje techniczne

220–240 V~ 50 Hz, 2000 W

Produkt jest zgodny z wymogami EU.

### PRZED PIERWSZYM UŻYCIEM

Przed pierwszym użyciem robota kuchennego Sage® zapoznaj się dokładnie ze wszystkimi jego elementami i wyposażeniem. Usuń wszelkie materiały reklamowe i pozostałości opakowania. Należy zachować ostrożność, ponieważ noże i tarcze są bardzo ostre. Misę, pokrywę i pozostałe części wyposażenia umyj w ciepłej wodzie z dodatkiem niewielkiej ilości środka do mycia naczyń. Oplucz i wytrzyj do sucha. (Więcej w rozdziale „Czyszczenie i konserwacja”).

1. Korpus silnika postaw na suchym i równym blacie. Załóż misę na korpus tak, aby wyrównać rękojeść ze znakiem „ALIGN HANDLE” na korpusie silnika.



2. Obróć misę w kierunku strzałki „TURN TO LOCK” na podstawie silnika. Sprawdź, czy miska jest poprawnie zamontowana i nie porusza się.



3. Chcąc użyć tarczy, najpierw należy założyć wał na trzpień w środku miski. Strona krojenia powinna być skierowana ku górze. Podczas przenoszenia tarcz należy trzymać je za środek. Delikatnie dociśnij, aby zamocować tarczę w końcówce. (Tarcze są przeznaczone wyłącznie do użycia w dużej misie).



4. Chcąc użyć noża, uchwyc go za znajdujący się w środku bolec i natóż na trzpień znajdujący się w środku miski. Słychać będzie zatrzaśnięcie. Sprawdź, czy nóż jest prawidłowo zamontowany. Korzystając z małego noża rozdrabniającego, upewnij się, że włożono małą misę.



## MONTAŻ I OBSŁUGA

5. Natóż pokrywę na misę tak, aby wyrównać znacznik „ALIGN” na pokrywie z oznaczeniem „ALIGN LOCK” na uchwycie misy. Trzymaj otwór wyspowy i dociskając go, obracaj w kierunku zgodnym z ruchem wskazówek zegara. Słychać będzie zatrzaśnięcie. Pokrywa jest bezpiecznie zablokowana na swoim miejscu.



### UWAGA

Nie można włączyć urządzenia, jeżeli nieprawidłowo zamontowano misę i pokrywę.

### OSTRZEŻENIE

***Ostrza noży i tarcz są bardzo ostre. Obchodząc się z nożami i tarczami, zachowaj szczególną ostrożność.***

6. Włóż wtyczkę kabla zasilającego do gniazdka 220–240 V.
7. Przed zdjęciem pokrywy po zakończeniu przetwarzania składników poczekaj na całkowite zatrzymanie tarczy lub noży. Przed zdjęciem pokrywy upewnij się, że naciśnięto przycisk POWER/OFF i wyjęto wtyczkę kabla zasilającego z gniazdka. Przytrzymaj otwór wyspowy i dociskając go, obracaj jednocześnie pokrywę w kierunku przeciwnym do ruchu wskazówek zegara do momentu, w którym będzie można zdjąć pokrywę.
8. Obróć misę (przed wyjęciem tarczy lub noża) w kierunku przeciwnym do ruchu wskazówek zegara tak, aby wyrównać wskaźnik „ALIGN HANDLE” ze znakiem na rękojeści. Zdejmij misę z podstawy silnika. Zachowaj szczególną ostrożność podczas wyjmowania tarczy lub noża. Uchwyc tarczę za środek i zdejmij ją z końcówki. Następnie wyjmij wał. Wyjmij nóż, trzymając go za bolec.

### SYSTEM ZABEZPIECZAJĄCY PRZED PRZECIĄŻENIEM SILNIKA

W razie przeciążenia silnika, silnik wyłączy się automatycznie, urządzenie przejdzie w tryb gotowości, a na wyświetlaczu zacznie migać napis „OVERLOAD” (przeciążenie). Aby wyłączyć zasilanie, możesz nacisnąć przycisk POWER/OFF. Przed ponownym użyciem urządzenia należy poczekać co najmniej 30 minut na ostudzenie silnika.

Niektóre gęste mieszaniny, takie jak ciasta, mogą spowodować zwolnienie obrotów noży. W takim przypadku nie używaj urządzenia dłużej niż 1 minutę.

## KATALOG FUNKCJI

### UWAGA

Robot kuchenny ma bardzo dużą moc i w niektórych przypadkach zaleca się używanie przycisku PULSE, aby zapobiec nadmiernemu rozdrobnieniu produktów.

PRODUKT	TYP NOŻA (DO UGNIATANIA / DUŻY NOŻ ROZDRABNIAJĄCY / MAŁY NOŻ ROZDRABNIAJĄCY)	GRUBOŚĆ KROJENIA TARCZY Z REGULOWANĄ GRUBOŚCIĄ	ZALECANY RODZAJ TARCZY
Awokado	Duży lub mały nóż rozdrabniający Zastosowanie: guacamole	2-5	
Szparagi (gotowane)	Duży lub mały nóż rozdrabniający Zastosowanie: dip szparagowy		
Buraki		2-5	Tarcza dwustronna Sałatka
Brokuły (gotowane)	Duży nóż rozdrabniający Zastosowanie: zupa brokułowa		
Kapusta		Cienki 1-2 i średni 2-3 Zastosowanie: dodatek	Tarcza dwustronna Sałatka
Marchew	Duży lub mały nóż rozdrabniający Zastosowanie: zupa jarzynowa	0-5	Tarcza dwustronna Sałatka
Kalafior (gotowany)	Duży lub mały nóż rozdrabniający Zastosowanie: zupa kalafiorowa		
Seler	Duży lub mały nóż rozdrabniający Zastosowanie: zupa jarzynowa	Cienki 1-2 i średni 2-3 Zastosowanie: sałatka	
Chili	Duży lub mały nóż rozdrabniający Zastosowanie: doprawianie		
Bakłażan	Duży lub mały nóż rozdrabniający Zastosowanie: dodatek, kalafiorowa	2-5 Zastosowanie: grillowany bakłażan	Tarcza dwustronna lub tarcza do drobnego krojenia Zastosowanie: dodatek
Czosnek	Duży lub mały nóż rozdrabniający Zastosowanie: doprawianie		
Imbir	Duży lub mały nóż rozdrabniający Zastosowanie: doprawianie		
Ziola	Duży lub mały nóż rozdrabniający Zastosowanie: doprawianie, pesto		
Por	Duży lub mały nóż rozdrabniający Zastosowanie: zupa	2-5 Zastosowanie: zupa jarzynowa	
Salata		2-4 Zastosowanie: sałatka	

## KATALOG FUNKCJI

PRODUKT	TYP NOŻA (DO UGNIATANIA / DUŻY NOŻ ROZDRABNIAJĄCY / MAŁY NOŻ ROZDRABNIAJĄCY)	GRUBOŚĆ KROJENIA TARCZY Z REGULOWANĄ GRUBOŚCIĄ	ZALECANY RODZAJ TARCZY
Grzyby (surowe)	Duży lub mały nóż rozdrabniający Zastosowanie: zupa jarzynowa	4-6 Zastosowanie: sałatka, zupa jarzynowa, sos grzybowy, zupa grzybowa	
Grzyby (gotowane)	Duży nóż rozdrabniający Zastosowanie: zupa grzybowa	4-6 Zastosowanie: sałatka, zupa jarzynowa, sos grzybowy, zupa grzybowa	
Cebula	Duży lub mały nóż rozdrabniający Zastosowanie: zupy, sosy	0-5 Zastosowanie: sałatka	
Pasternak	Duży lub mały nóż rozdrabniający Zastosowanie: zupa jarzynowa	2-5 Zastosowanie: lasagne warzywna	
Pasternak (gotowany)	Duży nóż rozdrabniający Zastosowanie: dodatek		
Groszek (gotowany)	Duży lub mały nóż rozdrabniający Zastosowanie: dodatek, dania dla dzieci		
Ziemniaki		0,5-6 Zastosowanie: pieczone ziemniaki	Tarcze do frytek / obustronna tarcza Zastosowanie: frytki
Ziemniaki (gotowane)	Duży lub mały nóż rozdrabniający Zastosowanie: purée ziemniaczane, skordalia		
Szpinak	Duży lub mały nóż rozdrabniający Zastosowanie: dodatek		
Szpinak (gotowany)	Duży lub mały nóż rozdrabniający Zastosowanie: kremowy szpinak		
Brukiew	Duży lub mały nóż rozdrabniający Zastosowanie: zupa jarzynowa, krem z brukwi		
Pomidory	Duży lub mały nóż rozdrabniający Zastosowanie: salsa	2-5 Nadzienienie do kanapek, bocconcini, sałatka itp.	
Cukinia		3-6 Zastosowanie: dodatek, zapiekanki	Tarcza dwustronna Sałatka, placki itp.
Jabłka	Duży lub mały nóż rozdrabniający Zastosowanie: mus jabłkowy	2-5 Zastosowanie: szarlotka	
Jabłka (gotowane)	Duży lub mały nóż rozdrabniający Zastosowanie: przecier dla dzieci	4-6 Zastosowanie: sałatka owocowa	
Banan	Duży lub mały nóż rozdrabniający Zastosowanie: mus owocowy		

## KATALOG FUNKCJI

PRODUKT	TYP NOŻA (DO UGIATANIA / DUŻY NOŻ ROZDRABIAJĄCY / MAŁY NOŻ ROZDRABIAJĄCY)	GRUBOŚĆ KROJENIA TARCZY Z REGULOWANĄ GRUBOŚCIĄ	ZALECANY RODZAJ TARCZY
Owoce jagodowe	Duży lub mały nóż rozdrabniający Zastosowanie: sałatka owocowa		
Owoce cytrusowe	Duży lub mały nóż rozdrabniający Zastosowanie: marmelada owocowa		
Skórka z cytrusów	Duży lub mały nóż rozdrabniający Zastosowanie: marmelada owocowa		
Suszone owoce	Duży lub mały nóż rozdrabniający Zastosowanie: sałatka owocowa, sos do deserów		
Kiwi	Duży lub mały nóż rozdrabniający Zastosowanie: sałatka owocowa, sos do deserów	4–6 Zastosowanie: dekoracja	
Mango	Duży lub mały nóż rozdrabniający Zastosowanie: sałatka owocowa, sos do deserów		
Melon (miodowy, kantalupa)	Duży lub mały nóż rozdrabniający Zastosowanie: sałatka owocowa		
Gruszka	Duży lub mały nóż rozdrabniający Zastosowanie: sałatka owocowa	4–6 Zastosowanie: ciasto gruszkowe	
Gruszka (gotowana)	Duży lub mały nóż rozdrabniający Zastosowanie: przecier dla dzieci		
Ananas	Duży lub mały nóż rozdrabniający Zastosowanie: sałatka owocowa		
Owoce pestkowe (brzoskwinie, nektarynki, morele, śliwki)	Duży lub mały nóż rozdrabniający Zastosowanie: sałatka owocowa, sos do deserów		
Truskawki	Duży lub mały nóż rozdrabniający Zastosowanie: sałatka owocowa, sos do deserów		

## KATALOG FUNKCJI

PRODUKT	TYP NOŻA (DO UGNIATANIA / DUŻY NOŻ ROZDRABNIAJĄCY / MAŁY NOŻ ROZDRABNIAJĄCY)	GRUBOŚĆ KROJENIA TARCZY Z REGULOWANĄ GRUBOŚCIĄ	ZALECANY RODZAJ TARCZY
Lekkie ciasta	Nóż do ugniatania Zastosowanie: placki, naleśniki		Tarcza do ubijania Zastosowanie: placki, muffiny, naleśniki
Bułka tarta	Duży lub mały nóż rozdrabniający Zastosowanie: panierki, nadzienia		
Ser			Tarcza dwustronna Zastosowanie: dania zapiekane
Czekolada	Duży lub mały nóż rozdrabniający Zastosowanie: tort czekoladowy		Tarcza dwustronna Zastosowanie: dekoracja
Kremowy ser	Duży lub mały nóż rozdrabniający Zastosowanie: dipy, pasty, serniki		
Ciasta	Nóż do ugniatania Zastosowanie: pieczywo, bułki, chleb		
Białka jajek Sposób użycia: Funkcja PULSE			Tarcza do ubijania Zastosowanie: piana z białek (nie nadaje się do deserów typu tort Pavlova lub bezy)
Jajka na twardo	Duży lub mały nóż rozdrabniający Zastosowanie: nadzienie do kanapek	2–5 Zastosowanie: nadzienie do kanapek	
Jaja (całe lub żółtka) Sposób użycia: Funkcja PULSE			Tarcza do ubijania Zastosowanie: majonez
Śmietana Sposób użycia: Funkcja PULSE			Tarcza do ubijania Zastosowanie: zaleca się używanie funkcji PULSE, aby nie dochodziło do nadmiernego rozdrobnienia.
Mleczne koktajle i smoothie	Duży nóż rozdrabniający Wykorzystanie funkcji PULSE		
Mięso (surowe) Sposób użycia: Funkcja PULSE	Duży nóż rozdrabniający Zastosowanie: mielone, burgery itp.		
Mięso (gotowane) Sposób użycia: Funkcja PULSE	Duży nóż rozdrabniający Zastosowanie: nadzienie do kanapek, pasztety, dania dla dzieci		
Kielbasa		1–6 Zastosowanie: nadzienie do kanapek, antipasti, pizza itp.	

### KONSERWACJA I CZYSZCZENIE

Po zakończeniu przygotowania wyłącz urządzenie przyciskiem POWER/OFF i odłącz kabel zasilający z gniazdka.

#### Podstawa silnika

Przetrzyj podstawę silnika lekko zwilżoną, miękką gąbką. Wytrzyj do sucha.

#### Misa, pokrywa i popychacze

Umyj misę, pokrywę i popychacze w ciepłej wodzie z dodatkiem niewielkiej ilości płynu do mycia naczyń. Do mycia nie używaj metalowej myjki ani gąbki drucianej, ponieważ mogłoby to spowodować porysowanie plastikowej powierzchni. Plastikowe elementy można okazjonalnie myć w zmywarce do naczyń, jednak wyłącznie w górnym koszu, na programie delikatnym. Nie narażaj tych części na regularne działanie zbyt gorącej wody lub ostrych środków czyszczących, ponieważ mogłyby one uszkodzić powierzchnię i skrócić żywotność urządzenia.

#### UWAGA

Popychacze nie należy wkładać do zmywarki do naczyń, ponieważ wysoka temperatura mogłaby spowodować ich deformację.

#### Duży i mały nóż rozdrabniający, nóż do ugniatania i tarcze

Umyj duży i mały nóż rozdrabniający, nóż do ugniatania i tarcze w ciepłej wodzie z dodatkiem niewielkiej ilości płynu do mycia naczyń. Do usunięcia pozostałości produktów użyj znajdującej się w komplecie szczotki. Końcówka rękojeści wyposażona jest w drapak do usunięcia resztek produktów. Aby zapobiec przypadkowemu poranieniu, nie zostawiaj noży i tarcz zanurzonych w wodzie. Noże i tarcze można również myć w zmywarce do naczyń (tylko w górnym koszu).

#### UWAGA

Duży nóż rozdrabniający można przed włożeniem do zmywarki włożyć do opakowania ochronnego, aby zapewnić jego maksymalne bezpieczeństwo.

### OSTRZEŻENIE

***Ostrza noży i tarcz są bardzo ostre. Obchodząc się z nożami i tarczami, zachowaj szczególną ostrożność.***

***Nie zanurzaj urządzenia, kabla zasilającego ani wtyczki kabla w wodzie ani innych cieczach.***

***Nie przechowuj urządzenia z nałożoną misą w pozycji zablokowanej ani z nałożoną pokrywą w pozycji zablokowanej. Powoduje to zbyt duże obciążenie wyłącznika w rękojeści i korpusie silnika i może prowadzić do skrócenia ich żywotności.***

***Żadna część urządzenia nie jest przeznaczona do użytku w kuchenie mikrofalowej.***



## ROZWIĄZYWANIE PROBLEMÓW

PROBLEM	ROZWIĄZANIE
<b>Produkty są nierównomiernie rozdrobnione.</b>	<ul style="list-style-type: none"> <li>• Przed rozpoczęciem rozdrabniania należy pokroić produkty na kawałki o podobnej wielkości (ok. 2,5 cm).</li> <li>• Produkty należy przetwarzać partiami, aby zapewnić równomierne rozdrobnienie.</li> </ul>
<b>Pokrojone plastry nie są tej samej szerokości.</b>	<ul style="list-style-type: none"> <li>• Włóż produkty do otworu wyspowego. Załóż popychacz na włożone produkty i równomiernie dociskaj popychacz do otworu wyspowego. Włącz urządzenie.</li> </ul>
<b>Produkty przewracają się w otworze wyspowym.</b>	<ul style="list-style-type: none"> <li>• Otwór wyspowy jest przeznaczony do obróbki większej ilości produktów. W przypadku obróbki mniejszej ilości, użyj otworu dostępnego po wyjęciu małego popychacza.</li> </ul>
<b>Tarcza do frytek.</b>	<ul style="list-style-type: none"> <li>• Zawsze usuwaj resztki ziemniaków przed rozpoczęciem rozdrabniania kolejnych.</li> </ul>
<b>Po przetworzeniu na tarczy pozostały resztki produktów.</b>	<ul style="list-style-type: none"> <li>• Jest to normalne zjawisko. Małe kawałki mogą pozostać nierozdrobnione na tarczy.</li> </ul>
<b>Podczas przygotowania ciasta dochodzi do spadku obrotów.</b>	<ul style="list-style-type: none"> <li>• Ilość ciasta przekroczyła maksimum. Podziel ciasto na kilka porcji i przetwarzaj partiami.</li> <li>• Ciasto może być zbyt wilgotne (zob. poniżej). Po przywróceniu normalnej prędkości obrotów kontynuuj obróbkę. W przeciwnym przypadku dodawaj po łyżce mąki, dopóki obroty znowu się nie zwiększą. Miksuj aż do osiągnięcia właściwej konsystencji ciasta.</li> </ul>
<b>Przy użyciu dużego noża rozdrabniającego następuje spadek prędkości.</b>	<ul style="list-style-type: none"> <li>• Ilość przetwarzanych produktów przekroczyła maksimum. Kieruj się zaleceniami w instrukcji obsługi i wskazówkami dotyczącymi maksymalnej objętości. Podziel produkty na kilka porcji i przetwarzaj partiami.</li> <li>• Lepsze efekty siekania mięsa uzyskasz po usunięciu nadmiaru tłuszczu.</li> </ul>
<b>Silnik się uruchamia.</b>	<ul style="list-style-type: none"> <li>• Bezpiecznik nie pozwoli na uruchomienie silnika, dopóki urządzenie nie będzie prawidłowo i kompletnie zmontowane. Upewnij się, że miska, pokrywa i duży popychacz są poprawnie zamocowane we właściwych miejscach.</li> <li>• Jeżeli tak, sprawdź, czy ilość produktów w otworze wyspowym nie przekroczyła wskaźnika maksimum (CHUTE FILL MAX).</li> <li>• Sprawdź, czy wtyczka kabla zasilającego jest podłączona do gniazdka, a gniazdko jest pod napięciem.</li> </ul>

## ROZWIĄZYWANIE PROBLEMÓW

PROBLEM	ROZWIĄZANIE
<b>Urządzenie wyłączyło się podczas pracy.</b>	<ul style="list-style-type: none"> <li>Odblokowała się pokrywa. Upewnij się, że jest prawidłowo zabezpieczona.</li> <li>W razie przeciążenia silnika na wyświetlaczu LCD zaczną migać ikonka przeciążenia OVERLOAD. Wciśnij przycisk POWER/OFF, wyłącz urządzenie i odłącz wtyczkę przewodu zasilającego z gniazdka sieciowego. Przed ponownym użyciem pozostaw urządzenie do wystygnięcia na ok. 20–30 minut.</li> </ul>
<b>Obroty spadają podczas pracy.</b>	<ul style="list-style-type: none"> <li>Jest to normalne zjawisko przy obróbce niektórych produktów (np. krojenie lub rozdrabnianie sera). Przemieszaj produkty w otworze wysypowym i kontynuuj obróbkę.</li> <li>Przekroczona została maksymalna ilość. Kieruj się zaleceniami w instrukcji obsługi i wskazówkami dotyczącymi maksymalnej objętości. Podziel produkty na kilka porcji i przetwarzaj partiami.</li> </ul>
<b>Urządzenie drga / przesuwają się podczas pracy.</b>	<ul style="list-style-type: none"> <li>Upewnij się, że gumowe nożyki na spodzie korpusu silnika są czyste i suche. Sprawdź także, czy nie przekroczono maksymalnej ilości.</li> </ul>
<b>Składniki ciasta nie są właściwie przetworzone.</b>	<ul style="list-style-type: none"> <li>Przed ugniataniem ciasta najpierw włóż do miski produkty sypkie, a następnie podczas ugniatania dodawaj płyny. Dodawaj je partiami, każda partia powinna być dobrze rozmieszana. Jeżeli przypadkiem dodasz więcej płynu, poczekaj, aż całkowicie zmiesza się z ciastem. Następnie dodawaj powoli pozostałą część płynu (nie wyłączaj urządzenia). Płyny dolewaj przez otwór w dużym popychaczu, dostępnym po wyjęciu małego popychacza. W żadnym przypadku nie nalewaj płynów do miski w pierwszej kolejności.</li> </ul>
<b>Ciasto jest zbyt gęste.</b>	<ul style="list-style-type: none"> <li>Podziel ciasto na 2 lub 3 części i rozłóż je równomiernie w misie. Mieszaj przez około 10 sekund lub do uzyskania jednolitego i gładkiego ciasta.</li> </ul>
<b>Ciasto jest zbyt suche.</b>	<ul style="list-style-type: none"> <li>Podczas pracy urządzenia dodaj płyny. Płyny dolewaj przez otwór w dużym popychaczu, dostępnym po wyjęciu małego popychacza. Dodawaj po łyżce i dokładnie rozmieszaj każdą łyżkę w cieście. Po uzyskaniu prawidłowej konsystencji przestań dodawać płyn.</li> </ul>
<b>Ciasto jest za rzadkie.</b>	<ul style="list-style-type: none"> <li>Podczas pracy urządzenia dodaj mąkę. Mąkę dodawaj przez otwór w dużym popychaczu, dostępnym po wyjęciu małego popychacza. Dodawaj po łyżce i dokładnie rozmieszaj każdą łyżkę w cieście. Po uzyskaniu prawidłowej konsystencji przestań dodawać mąkę.</li> </ul>

## GWARANCJA

### OGRANICZONA GWARANCJA NA 2 LATA

Firma Sage Appliances obejmuje niniejszy produkt gwarancją na wady produkcyjne i materiałowe pod warunkiem korzystania z niego w warunkach domowych. Gwarancja obowiązuje w ciągu dwóch lat od zakupu i w określonych regionach. W czasie okresu gwarancji firma Sage Appliances naprawi lub wymieni wadliwe produkty lub zwróci ich koszt (decyzja należy wyłącznie do firmy Sage Appliances).

Będą przestrzegane wszelkie prawa dotyczące gwarancji zawarte w prawodawstwie danego kraju, a niniejsza gwarancja nie ma na nie wpływu. Pełne warunki gwarancji oraz instrukcje dotyczące składania reklamacji można znaleźć w witrynie [www.sageappliances.com](http://www.sageappliances.com).

GBR

BRG Appliances Limited  
Unit 3.2, Power Road Studios,  
114 Power Road, London, W4 5PY  
Freephone (UK Landline): 0808 178 1650  
Mobile Calls (National Rate): 0333 0142 970

DEU

AUT

Sage Appliances GmbH  
Campus Fichtenhain 48, 47807 Krefeld,  
Deutschland  
Deutschland: 0800 505 3104  
Österreich: 0800 80 2551

FRA

Sage Appliances France SAS  
Siège social: 66 avenue des Champs  
Elysées – 75008 Paris  
879 449 866 RCS Paris  
France: 0800 903 235

IRE

Ireland  
1800 932 369

NLD

Netherlands  
0800 020 1741

ITA

Italy  
800 909 773

ESP

Spain  
900 838 534

PTG

Portugal  
0800 180 243

POL

Poland  
00800 121 8713

BEL

Belgium  
0800 54 155

CHE

Switzerland  
0800 009 933

LUX

Luxembourg  
800 880 72

DNK

Denmark  
80 820 827

SWE

Sweden  
0200 123 797

FIN

Finland  
0800 412 143

NOR

Norway  
80 024 976

# Sage®

[www.sageappliances.com](http://www.sageappliances.com)

Registered in England & Wales No. 8223512

Registered in Germany No. HRB 81309 (AG Düsseldorf)

Registered in France No. 879 449 866 RCS

EN Due to continued product improvement, the products illustrated or photographed in this document may vary slightly from the actual product.

DE Aufgrund unserer kontinuierlichen Produktverbesserungen kann die hier gezeigte Abbildung geringfügig vom tatsächlichen Produkt abweichen.

FR En raison de leur amélioration continue, les produits représentés ou photographiés dans le présent document peuvent différer légèrement du produit réel.

NL Vanwege voortdurende productverbeteringen, kunnen de afgebeelde producten in dit document licht afwijken van het eigenlijke product.

IT A causa del continuo miglioramento dei prodotti, il prodotto descritto o illustrato in questo documento può variare leggermente rispetto al prodotto reale.

ES Perfeccionamos nuestros productos continuamente, por lo que el artículo podría diferir ligeramente de la ilustración o la fotografía en este documento.

PT Devido à melhoria contínua dos produtos, os produtos ilustrados ou fotografados neste documento podem variar ligeiramente do produto real.

PL Ze względu na stale przeprowadzane ulepszenia, produkty przedstawione na ilustracjach lub zdjęciach w tym dokumencie mogą różnić się od używanego produktu.

DA På grund af løbende produktudvikling kan de illustrerede eller fotograferede produkter i dette dokument variere en smule fra det faktiske produkt.

SV På grund av kontinuerlig produktförbättring kan produkterna som visas i illustrationerna och fotografierna i detta dokument skilja sig något från den faktiska produkten.

FI Jatkuvan tuotekehittelyn seurauksena kuvituksen tuotteet eivät välttämättä ole täysin samanlaisia kuin varsinainen tuote.

NO På grunn av kontinuerlig produktutvikling kan produktene som er vist eller avfotografert i dette dokumentet, variere noe fra det faktiske produktet.

Copyright BRG Appliances 2023

BFP800/SFP800 UG8 – E23