

the Super Q™

BBL920/SBL920



EN QUICK GUIDE

DE KURZANLEITUNG

FR GUIDE RAPIDE

NL SNELSTARTGIDS

IT GUIDA RAPIDA

ES GUÍA RÁPIDA

PT MANUAL RÁPIDO

Sage®



Contents

- 2 Sage® Recommends Safety First
- 7 Components
- 8 Functions
- 11 Blending Chart
- 13 Troubleshooting
- 14 Care & Cleaning
- 15 Guarantee

SAGE® RECOMMENDS SAFETY FIRST

At Sage® we are very safety conscious. We design and manufacture consumer products with the safety of you, our valued customer, foremost in mind. In addition we ask that you exercise a degree of care when using any electrical appliance and adhere to the following precautions.

IMPORTANT SAFEGUARDS READ ALL INSTRUCTIONS BEFORE USE AND SAVE FOR FUTURE REFERENCE

- A downloadable version of this document is also available at sageappliances.com
- Before using the first time ensure your electricity supply is the same as shown on the label on the underside of the appliance.
- Remove and safely discard any packaging materials before first use.
- To eliminate a choking hazard for young children, safely discard the protective cover fitted to the power plug.
- This appliance is for household use only. Do not use the appliance for anything other than its intended use. Do not use in moving vehicles or boats. Do not use outdoors. Misuse may cause injury.
- Fully unwind the power cord before operating.
- Position the appliance on a stable, heat resistant, level, dry surface away from the edge and do not operate on or near a heat source such as a hot plate, oven or gas hob.
- Vibration during operation may cause the appliance to move.

- Do not let the power cord hang over the edge of a bench or table, touch hot surfaces or become knotted.
- Always ensure the appliance is turned OFF, unplugged at the power outlet and has been allowed to cool before cleaning, attempting to move or storing.
- Always turn the appliance to the OFF position, switch off at the power outlet and unplug at the power outlet when the appliance is not in use.
- Do not use the appliance if the power cord, plug, or appliance becomes damaged in any way. If damaged and maintenance other than cleaning is required please contact Sage Customer Service or visit sageappliances.com
- Any maintenance other than cleaning should be performed by an authorised Sage® service centre.
- Children should not play with the appliance.
- Cleaning of the appliance should not be carried out by children unless they are 8 years or older and supervised.
- The appliance and its cord should be kept out of reach of children aged 8 years and younger.
- The installation of a residual current safety switch is recommended to provide additional safety when using all electrical appliances. Safety switches with a rated operating current not more than 30mA are recommended. Consult an electrician for professional advice.
- Always ensure the appliance is properly assembled as per instruction before use. Using the appliance without being properly assembled may cause product malfunction, product damage or pose safety risk including personal injury.
- Do not use the appliance on a sink drain board.
- Keep hands, fingers, hair, clothing as well as spatulas and other utensils away from moving or rotating parts during operation.
- Do not use the appliance for anything other than food and/or beverage preparation.
- In order to avoid the possible hazard of the appliance starting by itself due to inadvertent resetting of the overload protection, do not attach an external switching device (such as a timer) or connect the appliance to a circuit that can regularly switch the appliance on and off.
- Carefully read all instructions before operation and save for future reference.

- The appliance can be used by persons with reduced physical or mental capabilities or a lack of experience and knowledge, only if they have been given supervision or instruction concerning use of the appliance in a safe way and understand the hazards involved.
- This appliance shall not be used by children.
- Do not leave the appliance unattended when in use.
- Allow the motor to rest for 1 minute between each use.
- Be careful when handling and cleaning blades, as they are very sharp. Mishandling of the blades may cause injury.
- Avoid putting the cup or jug on the motor base while the motor is still spinning.
- Do not operate without any ingredients in the cup or jug.
- Never attempt to operate with damaged blades, or with utensils, or any foreign objects inside the cup or jug.
- Do not put the cup or jug in extremes of heat or cold, for example placing a cold jug into hot water, or vice versa.
- Lid must be firmly secured to the jug before operation to ensure internal contents do not escape, spray or overflow.
- Do not remove the jug from the motor base while blender is in use.
- Use only the blender jug and lid, cups, blade assembly and accessories that are supplied with this blender. The use of attachments, or accessories not manufactured or specified by Sage may cause the risk of fire, electrical shock, or injury.
- Do not use blender while OVERLOAD PROTECTION is flashing on the LCD. If this occurs, unplug the blender and wait for 30 minutes until the motor has cooled. Once cooled, you will be able to use the blender as usual again.
- Be careful if hot liquid is poured into the blender, as it can be ejected out of the jug due to sudden steaming.
- When blending hot liquids ensure inner measuring cap is in place. Cap will protect from splashing of hot liquids during blending and includes vents designed to relieve pressure and avoid steam build up.
- Be careful removing the lid after blending hot liquids, as steam traps can form in the liquid and be ejected out of the jug.
- Strictly observe the reduced capacity limit for blending hot ingredients.

- Failing to follow this instruction may cause personal injury by hot liquid burn.
- Never blend hot ingredient/ liquid using the vacuum blending feature.
- (Vacuum blending is an optional feature achieved through using the Sage vacuum pump supplied separately).
- Never use attachments or accessories that are not supplied with this product or authorised by Sage to be used on this product. Failing to follow this instruction may cause product malfunction, product damage or even pose safety risk.
- For optional accessories authorised by Sage to be used on this product, please read all instructions supplied with the accessory in conjunction with the instructions contained in this booklet.

NOTICE TO CUSTOMERS REGARDING MEMORY STORAGE

Please note that in order to better serve our customers, internal memory storage has been imbedded into your appliance. This memory storage consists of a small chip to collect certain information about your appliance including the frequency of use of the appliance and the manner

in which your appliance is being used. In the event your appliance is returned for service, the information collected from the chip enables us to quickly and efficiently service your appliance. The information collected also serves as a valuable resource in developing future appliances to better serve the needs of our consumers. The chip does not collect any information regarding the individuals who use the product or the household where the product is used. If you have any questions regarding the memory storage chip please contact us at privacy@sageappliances.com.

WHEN USING THE PERSONAL BLENDER ATTACHMENT PLEASE NOTE:

Opening a pressurised personal blender cup may lead to ingredients splattering, or may cause burning/scalding if the contents are hot. To minimise the risk of this happening, always follow the instructions below:

- Never blend hot or warm ingredients. Stop the blending process if contents become hot due to blending. Never blend any ingredients for more than 1 minute. Blending for more than 1 minute may cause the ingredients to become hot and steam may cause the cup to become pressurised.

- Never attempt to unscrew the blade from the base of the cup when the cup becomes pressurised due to steam build-up. Allow cup to cool to room temperature before carefully unscrewing the blade.
- Never blend carbonated liquid, detergent, or any ingredient that could expand or generate a gas.
- Never fill the cup beyond the cup's indicated maximum capacity.
- If leakage occurs during blending, immediately stop blending and unplug the unit from the power point. Check to ensure that the personal blender cup is not filled past the maximum level and that there is no damage to the seal or to the cup. Clean up the leakage with a dry towel and screw the cup firmly to the blending mechanism before resuming blending.



The symbol shown indicates that this appliance should not be disposed of in normal household waste.

It should be taken to a local authority waste collection centre designated for this purpose or to a dealer providing this service. For more information, please contact your local council office.

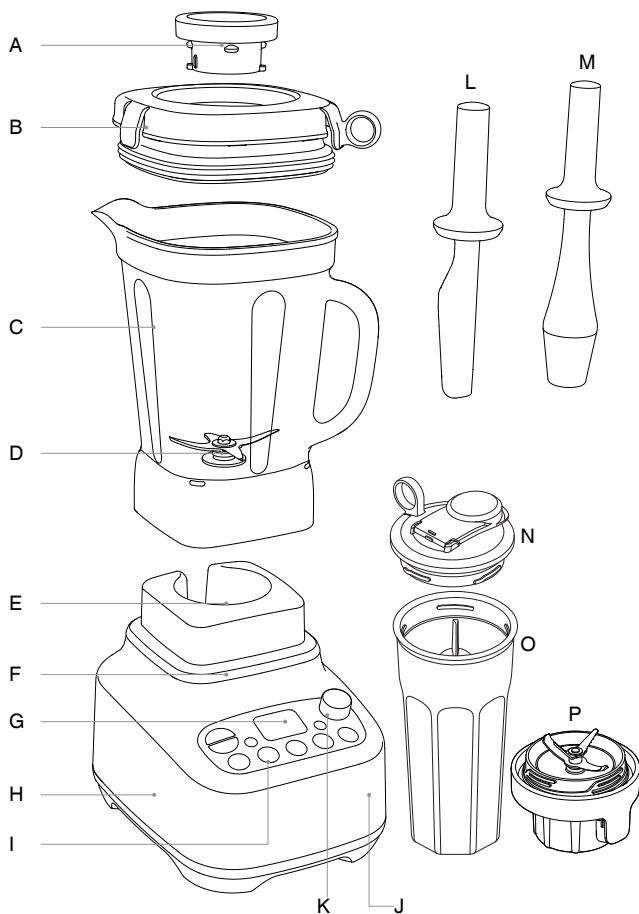


To protect against electric shock, do not immerse the power plug, cord or appliance in water or any liquid.

SAVE THESE INSTRUCTIONS



Components



- A. Inner measuring cup
- B. High performance lid
- C. 2.0 Litre BPA-free jug
- D. Extra-wide, heavy duty blade and bowl system
- E. Heavy duty metal coupling
- F. Heavy duty 2400W motor
- G. LCD indicator with timer
- H. Durable base

- I. 5 preset programs
- J. Overload protection
- K. Manual speed dial

ACCESSORIES

- L. Scraper
- M. Tamper
- N. Travel lid
- O. BPA-free Personal blender cup
- P. Personal Blender Blade System



Rating Information
220-240 V ~ 50-60 Hz 2400W



Functions

BEFORE FIRST USE

Before using your Sage® Blender for the first time, remove any packaging material and promotional labels.

Wash the lid, inner lid, blender jug (refer to “Care & Cleaning”) in warm, soapy water with a soft cloth. Rinse and dry thoroughly. Do not place parts in the dishwasher (with the exception of the blender jug).

Please refer to the “Care & Cleaning” Section for further details. The motor base can be wiped with a damp cloth. Dry thoroughly.

GETTING STARTED

Ready Mode

Press ON | OFF button to power the unit to READY mode.

Sleep

After 2 minutes of inactivity, LCD powers off, and the ON | OFF button flashes red.

After 5 minutes of inactivity, the blender turns power OFF. Press the ON | OFF button to reactivate the blender.

VESSELS

This unit features two blending vessels.

The Blender base automatically detects the vessel and adjusts blending times in pre-set programs to optimise food results.

2.0 Litre Jug

The jug is recommended for big volumes up to 2 Litres and can be used with all pre-set programs.

Personal Blender Cup & Blade System

The personal blender cup blends smaller volumes up to 700mL. The travel lid transforms it to a Take Away Cup so it's ideal for blended drinks.

Preset programs of PULSE | ICE CRUSH, SMOOTHIE and GREEN SMOOTHIE are enabled. The FROZEN DESSERT and SOUP program are not suitable to use with the Personal Blender accessories and pre-set programs are disabled.

PAUSE / CANCEL

For Manual Blending:

First press pauses the selected speed.
Second press Cancels selected speed.
Turn the Dial to start blending again.

For Program Blending:

First press pauses selected program.
Second press cancels selected program.
Press the PROGRAM button to start the Program again.



MANUAL OPERATION

SPEED CONTROL DIAL

Turn the Speed Control Dial clockwise to select one of 12 speed settings from a slow STIR through to a very fast MILL.

To stop blending, turn the Speed Control Dial anticlockwise back to READY.

The blender is programmed to allow manual speeds to run for a total of 6 minutes (2.0L Jug) or 30 Seconds (Personal Blending Cup) before automatically stopping.



WARNING

Never blend boiling hot liquids. Allow temperature of ingredients to cool down to room temperature before placing into blender jug.

PRESET PROGRAMS

PULSE | ICE CRUSH

A program of continuous pulsing designed to chop food into an even consistency or crush ice cubes.

SMOOTHIE

For dairy-based smoothies. A combination of speeds and pulses designed to combine and aerate ingredients into a smooth and creamy texture.

GREEN SMOOTHIE

For blending whole fruits/vegetables into a smooth beverage. A combination of high speed profiles breaks down tough fibres into very fine particles. Use the tamper if ingredients become wedged.

FROZEN DESSERT

A high speed program to breakdown frozen fruit/vegetables into a dessert ready to scoop. Use the tamper for best results.

SOUP

This program is exclusively for creating a Cold to Hot Soup—turning whole ingredients at ambient temperature into a smooth, hot soup. Primarily a high speed program, the program will finish with a slow stir to remove steam bubbles.



NOTE

Raw foods such as meats and seafood need to be cooked prior to using the SOUP program.



WARNING

Do not add hot ingredients when using the SOUP program.

CLEAN

Use to remove most of the ingredients off the blender walls and blades. Add 4 cups of warm soapy water to the blender jug and press the CLEAN button. For harder to clean, sticky or thick ingredients, add ½ teaspoon of liquid dish detergent for extra cleaning power. For best results, clean the blender jug this way immediately after use.



Tips

- The inner measuring cap can be removed and oils/liquids or other ingredients added during blending. Extreme care must be taken as depending on the mixture and speeds of operation, splashes can eject from the lid. It is not suggested to remove the inner measuring cap when blending hot liquids.
- Do not exceed the maximum mark when adding foods and liquids into the blender.
- Use the PULSE | ICE CRUSH button when food is too thick or coarse to circulate within the blender jug.
- The scraper and tamper accessories can be used during blending by removing the inner measuring cap. Always make sure the main lid stays firmly in place.
- Ingredients may stick to the sides of the blender jug. To push food back onto the blades with the main lid on (inner cap removed), use the tamper or scraper provided to scrape down the sides of the jug, and continue blending.
- If any moisture or liquid spills on top of the motor base during blending, turn the blender off and unplug from the outlet. Remove the blender jug, and wipe motor base immediately with a dry cloth or paper towel.
- The optimum amount of ice cubes that the blender can process in the jug is 250g (approximately 1 standard ice tray).
- When the blender has been running for 6 minutes in manual mode with the jug or 30 seconds with the personal blender cup, it will automatically turn off. This is a safety feature to protect the motor.
- Thicker mixtures puree more efficiently if the jug is $\frac{1}{4}$ to $\frac{1}{2}$ full.
- Do not use metal utensils, as they may damage the blades or blender jug.
- To remove any food that cannot easily be scraped out from under the blades, replace lid and turn blender back on high speed for 4–5 seconds to spin foods out from under blades.



Blending Chart (for Jug)

FOOD	PREPARATION & USAGE	QUANTITY	FUNCTIONS	TIME
Grains & seeds	Mill into flour. Use in bread, pizza doughs, cakes, muffins and flour batters.	250g–420 1–2 cups	MILL speed	20–30 seconds
Dried legumes & corn e.g. soy beans, chickpeas popping corn	Mill into flour. Use in combination with plain or self-raising flour for breads, cakes, muffins, pancakes.	250g–630g 1–2 cups	MILL speed	20–30 seconds
Spices	To make ground spices. Use whole spices except for cinnamon quills that need to be broken half. Store in airtight containers.	Minimum ¼ cup 8–16 cinnamon sticks	MILL speed	20–30 seconds
Raw nuts	To make nut meal. Use in cakes, biscuits and muffins.	100g–400g ½–2cups	MILL speed	8–15 seconds
Roasted nuts	To make nut butters and spreads.	100g–400g ½–2 cups	BLEND speed, use tamper	20–30 seconds
White sugar	Mill to make pure icing sugar or powdered sugar.	100g–200g 1–2 cups	MILL speed	15–30 seconds
Biscuits/cookies	Break biscuits/cookies in half. Blend to form crumbs. Use for cheesecake crusts.	250g	PULSE ICE CRUSH	20–30 seconds
Bread crumbs	Remove crusts. Cut bread into 2½ cm cubes. Use in crumb coatings, stuffings or in meatballs and meat patties.	120g–400g (up to 5 slices)	MIX speed	20–30 seconds
Mayonnaise	Mix the egg yolk, mustard and vinegar or lemon juice. Add oil slowly through the lid. Use for dressing.	Up to 4 egg yolks and 2 cups of oil.	MIX speed	1 min 30 sec
Hard cheeses (like Parmesan and Pecorino)	Cut into 3cm cubes. Use in creamy sauces, pasta dishes.	Maximum 250g	CHOP speed	15–25 seconds
Cream	Whip cream to firm peaks. Add sugar or vanilla before blending, if desired.	300–600mL	CHOP speed	25–60 seconds
Raw vegetables	Peel and cut into 2cm cubes. Finely chopped. Use for stuffing, filling, bolognese, stews and casseroles.	200g	CHOP speed	4–6 seconds



FOOD	PREPARATION & USAGE	QUANTITY	FUNCTIONS	TIME
Coconut Mixture	Sliced coconuts. Size: not more than 25mm Use: drinks	600 + water 1300	Mill speed	10 seconds
Blended Soups	Cool to room temperature	700 ml	Soup speed	30 seconds



FOOD	PREPARATION & USAGE	QUANTITY	FUNCTIONS	TIME
Smoothie	Milk, chopped fresh fruits, yoghurt, ice cream	Maximum 400 ml	SMOOTHIE	30 seconds

Dry milling

Please note that milling hard ingredients like spices, nuts, sugar, coffee, grains, etc will cause scratching and clouding to the inside surfaces of the jug. This is a cosmetic result from milling these kinds of ingredients, and does not affect the performance of the jug.

Avoid over-processing spices though. Essential oils found in spices when combined with heat can damage the jug surface.

This blending chart should be used as a guide only.



Troubleshooting

PROBLEM

EASY SOLUTION

Motor doesn't start or blade doesn't rotate

- Check the blender jug and lid are securely in place.
- Check that the power plug is properly inserted into the power outlet.
- Check the ON | OFF button and selected function button is illuminated.

Food is unevenly chopped

- Use the Tamper when blending to help move the ingredients around.
- Reduce the speed so the blades have more chance of grabbing the food. This can happen when too much food is being blended at one time. Try a smaller amount, and work in batches if necessary.
- The ingredients may be too large. Try cutting into smaller pieces. For best results, ingredients should be in pieces no larger than 2cm.

Food is chopped too fine or is watery

- Try blending for shorter period of time or slower speeds.
- Use the ICE CRUSH | PULSE function for better control.

Food sticks to blade and jug

- The mixture may be too thick. Try adding more liquid and/or using a slower speed for blending

Food stuck under blades

- To remove any food that cannot easily be scraped out from under the blades, replace lid and turn blender back on high speed for 4–5 seconds to spin foods out from under blades.

Blender overloaded

- This blender has a motor protection feature to protect against over heating and/or over current use. When activated OVERLOAD PROTECTION will flash on the LCD and the blender will be inoperable.
- If activated, turn the blender off by pressing the ON | OFF button on the control panel, switch of at the wall and unplug the blender. Wait a few minutes then re-plug and power ON the blender.
- If OVERLOAD PROTECTION is still flashing, repeat and leave the blender to cool down for at least 20–30 minutes. Once OVERLOAD PROTECTION has disappeared from the screen the blender is ready to be used again.
- We recommend blending in smaller batches, or cutting ingredients into smaller pieces.



Care & Cleaning

Vessels and lids

To avoid food drying on blades, vessels and lids, follow the below steps as soon as possible after use:

- Rinse most of the ingredients off the vessels and lids.

2-litre jug

- Add 1L of warm water and 1–2 drops of detergent and press the CLEAN button.
- Rinse the jug and lid again and/or wash separately in warm soapy water with a soft cloth or bottle brush.

Personal blender attachments

- All personal blender attachments are dishwasher safe on top shelf.
- To help removing food residues from the blades and cup walls you can add 250mL of cold water to the personal blender cup and press CLEAN.
- Rinse the cup with warm water afterwards.
- If not clean yet, hand wash in warm, soapy water using a mild liquid detergent and non-abrasive sponge.



WARNING

There is a risk of pressurisation from hot water and / or detergent. When rinsing the personal blender cup by using the CLEAN cycle never add hot or even warm water, as the steam produced can create dangerous pressurisation. Do not add detergent, as the foam produced will expand and may cause pressurisation.



WARNING

Oils in citrus rind can damage the material of your jug and personal blender cup if being exposed to it for a longer period. Always clean your blender jug and personal blender cup immediately after processing citrus rind.

Motor base

To clean the motor base, wipe with a soft, damp cloth then dry thoroughly. Wipe any excess food particles from the power cord.

Cleaning agents

Do not use abrasive scouring pads or cleaners on either the motor base or the jug, as they may scratch the surface. Use only warm soapy water with a soft cloth.

Dishwasher

The blender jug, personal blender cup, personal blender blade system, tamper, scraper and all lids can be washed in the dishwasher on a standard wash cycle. Jug can be placed on the bottom shelf, however the personal blender cup and lids should be on the top shelf only.

Stubborn food stains and odours

Strong smelling foods such as garlic and fish, and some vegetables such as carrots, may leave an odour or stain.

2 Litre jug

To remove, clean the jug and lid using the CLEAN instructions. Add 2 tablespoons bicarbonate of soda and ½ cup (125mL) vinegar into jug and let the mixture froth for 1 minute. Scrub the jug and lid with the mixture using a soft dishwashing brush. Add 2 cups warm water and allow to stand for 5 minutes. Attach jug to blender base. Secure lid and then press the CLEAN button. Thoroughly rinse the jug, and allow to air dry. Store jug and lid with the lid off to allow air to circulate.

Personal blender cup

To remove, pour warm soapy water and fill to the MAX mark. Set aside to soak for 5 minutes. Then wash with a mild detergent and warm water, rinse well and dry thoroughly. Do not use the CLEAN function to remove stubborn stains and odours from your personal blender cup.

Dry milling

Milling hard ingredients like spices, nuts, sugar, coffee, grains, etc will cause scratching and clouding to the inside surfaces of the jug. Some spices and herbs release aromatic oils that may discolour the jug or leave an aroma. These are cosmetic results from milling these kinds of ingredients, and does not affect the performance of the jug.

Storage

Store your blender upright with the blender jug assembled on the motor base, or beside it. Store the personal blender cup with the blade system assembled. Do not place anything on top. To allow air to circulate, keep the lid off.



Guarantee

10 YEAR LIMITED GUARANTEE

Sage Appliances guarantees this product for domestic use in specified territories for 10 years from the date of purchase against defects caused by faulty workmanship and materials. During this guarantee period Sage Appliances will repair, replace, or refund any defective product (at the sole discretion of Sage Appliances).

All legal warranty rights under applicable national legislation will be respected and will not be impaired by our guarantee. For full terms and conditions on the guarantee, as well as instructions on how to make a claim, please visit www.sageappliances.com.



Notes

the Super Q™



DE KURZANLEITUNG

Sage®



Inhalte

- 2 Sage® empfiehlt Sicherheit geht vor
- 7 Komponenten
- 8 Funktionen
- 11 Mixtabelle
- 13 Fehlerbehebung
- 14 Reinigung & Pflege
- 15 Garantie

SAGE® EMPFIEHLT SICHERHEIT GEHT VOR

Bei Sage® sind wir sehr sicherheitsbewusst. Bei der Entwicklung und Herstellung von Konsumgütern steht Ihre Sicherheit, die unserer geschätzten Kunden, für uns im Vordergrund. Zusätzlich dazu bitten wir Sie, beim Gebrauch eines Elektrogeräts einen gewissen Grad von Sorgfalt walten zu lassen und die folgenden Sicherheitsvorkehrungen zu beachten.

WICHTIGE VORSICHTSMASSNAHMEN

LESEN SIE VOR DEM GEBRAUCH ALLE ANWEISUNGEN DURCH UND BEWAHREN SIE SIE FÜR SPÄTERE REFERENZZWECKE AUF

- Das vollständige Infobuch ist unter sageappliances.com verfügbar.
- Stellen Sie vor dem ersten Gebrauch sicher, dass Ihre Stromversorgung der auf dem Etikett auf der Unterseite des Geräts angegebenen entspricht.
- Entfernen Sie vor dem ersten Gebrauch alle Verpackungsmaterialien und entsorgen sie diese sicher.
- Um ein Erstickungsrisiko für Kleinkinder auszuschließen, entsorgen Sie die am Netzstecker befestigte Schutzabdeckung.
- Dieses Gerät ist nur für den Hausgebrauch vorgesehen. Verwenden Sie das Gerät nur für den angegebenen Zweck. Nicht in fahrenden Fahrzeugen oder Booten verwenden.
- Nicht im Freien verwenden. Eine missbräuchliche Verwendung kann zu Verletzungen führen.
- Platzieren Sie das Gerät auf einer stabilen, hitzebeständigen, ebenen, trockenen Oberfläche mit Abstand zur Kante. Nehmen Sie das Gerät nicht in Betrieb, wenn es auf oder in der Nähe einer Hitzequelle, beispielweise

einer Grillplatte, einem Ofen oder Gaskochfeld, steht.

- Vibrationen während des Betriebs können dazu führen, dass sich das Gerät bewegt.
- Verwenden Sie das Gerät nicht auf der Abtropffläche einer Spüle.
- Wickeln Sie vor der Inbetriebnahme das Netzkabel vollständig ab.
- Lassen Sie das Netzkabel weder über die Kante einer Bank oder eines Tisches hängen, noch mit heißen Oberflächen in Kontakt kommen oder verknoten.
- Nutzen Sie das Netzkabel, den Stecker oder das Gerät nicht, wenn diese in irgendeiner Weise beschädigt sind. Bei Beschädigungen oder anderen notwendigen Servicearbeiten (ausgenommen Reinigung) wenden Sie sich bitte an den Kundendienst von Sage® oder besuchen Sie sageappliances.com.de
- Die Installation eines Fehlerstromschutzschalters wird als zusätzlicher Schutz beim Gebrauch aller Elektrogeräte empfohlen.
- Es werden Schutzschalter mit einem Nennbetriebsstrom von maximal 30mA empfohlen.
- Wenden Sie sich an einen Elektriker für eine professionelle Beratung.
- Um zu vermeiden, dass das Gerät durch ein versehentliches Zurücksetzen des Überlastschutzes von selbst startet, schließen Sie kein externes Schaltgerät (z. B. eine Zeitschaltuhr) an. Binden Sie dieses Gerät auch in keinen Stromkreis ein, der das Gerät regelmäßig ein- und ausschalten kann.
- Dieses Gerät darf nicht von Kindern verwendet werden.
- Kinder sollten nicht mit dem Gerät spielen.
- Die Reinigung des Geräts sollte nicht von Kindern durchgeführt werden, es sei denn, sie sind 8 Jahre oder älter und werden beaufsichtigt.
- Das Gerät und sein Kabel sollten außerhalb der Reichweite von Kindern im Alter von 8 Jahren und jünger aufbewahrt werden.
- Das Gerät kann von Personen mit eingeschränkten körperlichen, sensorischen oder geistigen Fähigkeiten, einem Mangel an Erfahrung und Wissen nur dann genutzt werden, wenn sie beaufsichtigt werden oder Anweisungen in Hinblick auf die sichere Nutzung des Geräts erhalten haben und die dazugehörigen Risiken verstehen.
- Vergewissern Sie sich stets vor der ersten Inbetriebnahme, dass das Gerät ordnungsgemäß nach Anleitung zusammengesetzt wurde. Wurde das Gerät nicht ordnungsgemäß zusammengesetzt, kann dies zu einer Fehlfunktion des Produktes oder Produktschäden führen oder ein Sicherheitsrisiko, einschließlich Personenschäden, darstellen.

- Vor Inbetriebnahme muss der Deckel fest auf dem Mixbehälter eingesetzt worden sein, um zu gewährleisten, dass der Inhalt nicht austritt, herausspritzt oder überläuft.
- Verwenden Sie das Gerät ausschließlich für die Zubereitung von Essen und/ oder Getränke.
- Nicht ohne Zutaten im Becher oder Mixbehälter betreiben.
- Halten Sie während des Betriebs Hände, Finger, Haare, Kleidung sowie Spachtel und sonstige Utensilien von sich bewegenden oder rotierenden Teilen fern.
- Versuchen Sie niemals, das Gerät mit beschädigten Klingen zu nutzen, oder mit Utensilien oder Fremdkörper im Becher oder Mixbehälter zu betreiben.
- Seien Sie vorsichtig bei der Handhabung und der Reinigung der Klingen, da diese sehr scharf sind. Eine falsche Handhabung der Klingen kann zu Verletzungen führen.
- Nehmen Sie den Mixbehälter nicht vom Motorblock ab, während der Mixer betrieben wird.
- Vermeiden Sie es, den Becher oder Mixbehälter auf den Motorblock zu stellen, während sich der Motor noch dreht.
- Setzen Sie den Becher oder Mixbehälter keiner extremen Hitze oder Kälte aus, beispielsweise einen kalten Mixbehälter in heißes Wasser tauchen oder umgekehrt.
- Ermöglichen Sie dem Motor jeweils 1 Minute Ruhepause zwischen jedem Gebrauch.
- Lassen Sie das Gerät während des Gebrauchs nicht unbeaufsichtigt.
- Stellen Sie stets sicher, dass das Gerät AUSgeschaltet ist, der Stecker aus der Steckdose gezogen wurde und das Gerät abkühlen konnte, bevor Sie es reinigen, seine Position verändern oder es einlagern.
- Schalten Sie das Gerät nach Verwendung stets aus und ziehen Sie den Stecker aus der Steckdose, wenn das Gerät nicht in Gebrauch ist.
- Alle Servicearbeiten mit Ausnahme der Reinigung sollten von einem autorisierten Sage® Service Center durchgeführt werden.
- Nutzen Sie den Mixer nicht, wenn ÜBERLASTSCHUTZ auf der LCD-Anzeige blinkt. Ist dies der Fall, ziehen Sie den Netzstecker des Mixers und warten Sie 30 Minuten, bis der Motor abgekühlt ist. Nachdem er abgekühlt ist, kann der Mixer erneut wie gewohnt benutzt werden.
- Wird der Motor unter großer Belastung betrieben, lassen Sie ihn maximal durchgängig 10 Sekunden laufen.
- Seien Sie vorsichtig beim Befüllen des Mixbehälters mit heißen Flüssigkeiten, da diese durch plötzliches Dampfen aus dem Behälter spritzen können.
- Vergewissern Sie sich beim Mixen von heißen Flüssigkeiten dass der innere Messbecher eingesetzt

wurde. Der Messbecher verhindert das Austreten heißer Flüssigkeiten während des Mixvorgangs und verfügt über Entlüftungsöffnungen, die dazu dienen, Druck abzulassen und eine Dampfbildung zu verhindern.

- Seien Sie vorsichtig beim Abnehmen des Deckels nach dem Mixen heißer Flüssigkeiten, da sich in der Flüssigkeit Dampf einschließen gebildet haben können, die aus dem Behälter spritzen.
- Beachten Sie unbedingt die reduzierte Füllstandsanzeige für das Mixen warmer Zutaten. Eine Nichtbeachtung dieser Anweisung kann zu Personenschäden, verursacht durch ein Verbrühen mit heißer Flüssigkeit, führen.
- Mixen Sie niemals heiße Zutaten/Flüssigkeiten, wenn Sie die Vakuum-Mixfunktion nutzen. (Vakuum-Mixen ist eine optionale Funktion, die durch die Verwendung der separat erhältlichen Sage Vakuum-Pumpe erzielt wird)
- Nutzen Sie keine Aufsätze oder Zubehörteile, die nicht im Lieferumfang dieses Produktes enthalten sind oder von Sage zur Verwendung mit diesem Produkt freigegeben wurden. Eine Nichtbeachtung dessen kann zu einer Fehlfunktion des Produktes oder Produktschäden führen, oder sogar ein Sicherheitsrisiko darstellen.

- Für optionales Zubehör, das von Sage für dieses Produkt freigegeben wurde, lesen Sie bitte alle mit dem Zubehör gelieferten Anweisungen in Verbindung mit den Anweisungen in dieser Broschüre.

KUNDENMITTEILUNG BEZÜGLICH DES SPEICHERS

Bitte beachten Sie, dass in Ihrem Gerät ein internes Speichermedium enthalten ist, um die Benutzerfreundlichkeit unserer Produkte zu steigern. Dabei handelt es sich um einen kleinen Chip, der bestimmte Geräteinformationen aufzeichnet, beispielsweise wie häufig und auf welche Art das Gerät verwendet wird. Falls Ihr Gerät gewartet werden muss, können wir mögliche Problemquellen dank der Informationen auf diesem Chip schnell und effizient beheben. Zudem helfen uns die gesammelten Informationen, unsere Geräte in Zukunft noch besser an die Wünsche und Bedürfnisse unserer Kunden anzupassen. Informationen über die Personen, die ein Gerät verwenden, oder den Haushalt, in dem es sich befindet, werden nicht gesammelt. Falls Sie Fragen zu dem Speicherchip haben, kontaktieren Sie uns bitte unter privacy@sageappliances.com

BEACHTEN SIE BEI DER VERWENDUNG DES MIXER-ZUBEHÖRS BITTE FOLGENDES:

- Das Öffnen eines unter Druck stehenden Mixbechers kann dazu führen, dass der Inhalt herausspritzt/überläuft oder es kann zu Verbrennungen/ Verbrühungen kommen, falls der Inhalt zu heiß ist. Um das Risiko hierfür zu minimieren, halten Sie sich stets an die nachfolgenden Anweisungen.
- Mixen Sie keine heißen oder warmen Zutaten. Beenden Sie den Mixvorgang, wenn der Inhalt durch das Mixen warm wird. Mixen Sie die Zutaten niemals länger als 1 Minute. Ein Mixvorgang über 1 Minute kann dazu führen, dass der Inhalt heiß wird und der entstehende Dampf den Becher unter Druck setzt.
- Versuchen Sie niemals, die Klingen vom Boden des Bechers zu schrauben, wenn der Becher aufgrund von Dampfentwicklung unter Druck steht. Lassen Sie den Becher auf Raumtemperatur abkühlen, bevor Sie die Klingen vorsichtig abschrauben.
- Mixen Sie niemals kohlenensäurehaltige Flüssigkeiten, Reinigungsmittel oder sonstige Zutaten, die sich ausdehnen oder ein Gas bilden könnten.

- Befüllen Sie den Becher niemals über den gekennzeichneten maximalen Füllstand hinaus.
- Tritt während des Mixvorgangs Flüssigkeit aus, unterbrechen Sie ihn unverzüglich und ziehen Sie den Stecker der Einheit aus der Steckdose. Vergewissern Sie sich, dass der Becher nicht über den MAX-Füllstand hinaus befüllt wurde und sowohl Dichtung als auch Becher keine Beschädigungen aufweisen. Säubern Sie ausgetretenen Inhalt mit einem trockenen Handtuch und schrauben Sie den Becher fest auf die Mixvorrichtung, bevor Sie den Mixvorgang fortsetzen.



Dieses Symbol gibt an, dass dieses Gerät nicht mit dem normalen Hausmüll entsorgt werden darf. Es

muss zu einem örtlichen Werkstoffhof gebracht werden, der für diesen Zweck vorgesehen ist, oder zu einem Händler, der diesen Service anbietet. Für mehr Informationen hierzu wenden Sie sich bitte an Ihr örtliches Landratsamt.

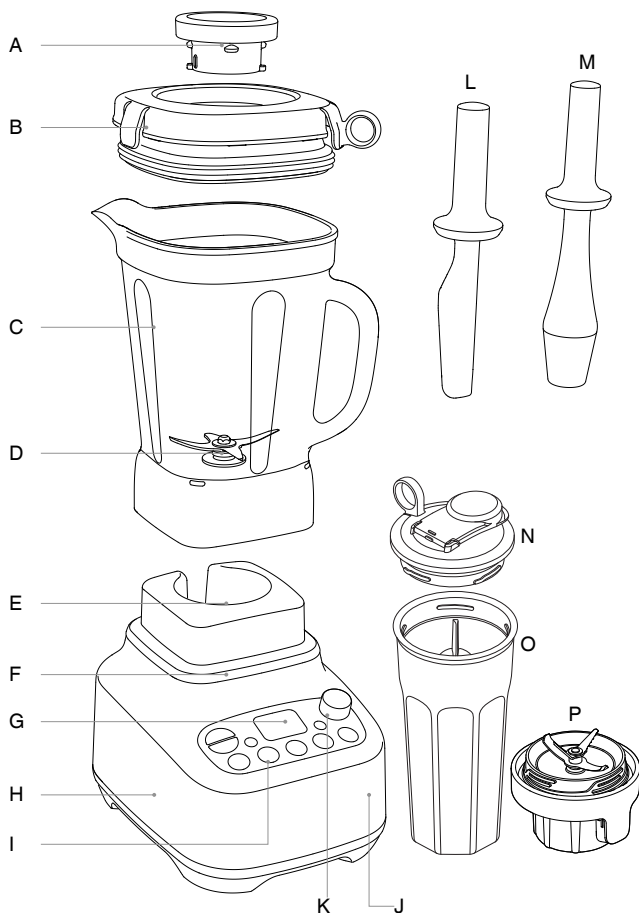


Zum Schutz vor Stromschlägen den Netzstecker, das Kabel oder das Gerät nicht in Wasser oder andere Flüssigkeiten tauchen.

DIESE ANLEITUNG AUFBEWAHREN



Komponenten



- A. Innerer Messbecher
- B. Hochleistungsdeckel
- C. 2,0-Liter-Mixbehälter BPA-frei
- D. Extra breites, leistungsstarkes Klingen-Behälter-System
- E. Hochleistungs-Metallbalg
- F. Leistungsstarker 2400-W-Motor
- G. LCD-Anzeige mit Timer
- H. Widerstandsfähiger Sockel

- I. 5 voreingestellte Programme
- J. Überlastschutz
- K. Manueller Geschwindigkeitsregler

ZUBEHÖR

- L. Schaber
- M. Stampfer
- N. Reisedeckel
- O. BPA-freier Mixbecher
- P. Klingensystem für Mixbecher



Leistungsbeschreibung
220–240 V ~ 50–60 Hz 2400W



Funktionen

VOR DEM ERSTEN GEBRAUCH

Entfernen Sie vor dem ersten Gebrauch Ihres Sage® Mixers alle Verpackungsmaterialien und Werbeetiketten.

Waschen Sie Deckel, inneren Deckel, Mixbehälter (siehe „Reinigung & Pflege“) mit einem weichen Tuch im warmen Seifenwasser. Abspülen und gründlich abtrocknen. Reinigen Sie die Teile nicht in der Geschirrspülmaschine (mit Ausnahme des Mixbehälters).

Weitere Informationen sind im Abschnitt „Reinigung & Pflege“ zu finden. Der Motorblock kann mit einem feuchten Tuch abgewischt werden. Gründlich abtrocknen.

ERSTE SCHRITTE

Bereitschaftsmodus

Drücken Sie die Taste EIN | AUS, um die Einheit in den betriebsbereiten Modus zu versetzen.

Stand-by-Modus

Nach 2 Minuten Inaktivität schaltet sich die LCD-Anzeige ab und die Taste EIN | AUS blinkt rot.

Nach 5 Minuten Inaktivität schaltet der Mixer ab. Drücken Sie die Taste EIN | AUS, um den Mixer erneut zu aktivieren.

BEHÄLTER

Diese Einheit umfasst zwei Mixbehälter. Der Motorsockel erkennt den Behälter automatisch und passt die Mixdauer in den voreingestellten Programmen an, um das Mixergebnis zu optimieren.

2,0-Liter-Mixbehälter

Der Mixbehälter ist für große Mengen bis zu 2 Liter vorgesehen und kann mit allen voreingestellten Programmen verwendet werden.

Mixbecher-Set

Im Mixbecher können kleine Mengen bis zu 700 ml verarbeitet werden. Mit dem Reisedeckel können Sie Ihre Mixgetränke ideal transportieren.

Die voreingestellten Programme PULSE | ICE CRUSH, SMOOTHIE und GREEN SMOOTHIE sind aktiviert. Die Programme EIS-NACHSPEISE und SUPPE eignen sich nicht für die Verwendung des Mixbechers und die voreingestellten Programme sind deaktiviert.

PAUSE / ABBRECHEN

Für manuelle Mixvorgänge:

Ein einmaliges Drücken pausiert die gewählte Geschwindigkeit. Ein zweites Drücken bricht die gewählte Geschwindigkeit ab. Drehen Sie am Regler, um den Mixvorgang erneut zu starten.

Für Mixvorgänge nach Programm:

Ein einmaliges Drücken pausiert das gewählte Programm. Ein zweites Drücken bricht das gewählte Programm ab. Drücken Sie die Taste PROGRAMM, um das Programm erneut zu starten.



MANUELLER BETRIEB

GESCHWINDIGKEITSREGLER

Drehen Sie den Geschwindigkeitsregler im Uhrzeigersinn, um eine der 12 Geschwindigkeitsstufen zu wählen, von langsamem RÜHREN (STIR) bis hin zu einem sehr schnellen MAHLEN (MILL).

Um den Mixvorgang zu beenden, drehen Sie den Geschwindigkeitsregler gegen den Uhrzeigersinn zurück auf BEREIT (READY).

Der Mixer ist so programmiert, dass eine manuell gewählte Geschwindigkeit insgesamt 6 Minuten (2-Liter-Behälter) oder 30 Sekunden (Mixbecher) ausgeführt wird, bevor der Vorgang automatisch beendet wird.



WARNUNG

Mixen Sie niemals kochend heiße Flüssigkeiten. Lassen Sie alle Zutaten auf Raumtemperatur abkühlen, bevor Sie sie in einen Mixbehälter füllen.

VOREINGESTELLTE PROGRAMME

PULSE | ICE CRUSH

Ein Programm aus durchgängigen Stößen, vorgesehen für das Zerkleinern von Lebensmitteln in eine gleichmäßige Textur oder das Zerstoßen von Eiswürfeln.

SMOOTHIE

Für Smoothies mit Milchprodukten. Eine Kombination aus Geschwindigkeit und Stößen vorgesehen für das Vermengen von Zutaten und das Zuführen von Luft für eine feine und cremige Konsistenz.

GREEN SMOOTHIE

Für das Mixen ganzer Früchte/Gemüsesorten zu einem fein gemixten Getränk. Eine Kombination aus Hochleistungsprofilen zerlegt harte Fasern in sehr feine Partikel. Nutzen Sie den Stampfer, falls sich die Zutaten verkeilen.

EIS-NACHSPEISE

Ein Hochleistungsprogramm, das gefrorene Früchte/Gemüse zu einer Nachspeise verarbeitet, die gelöffelt werden kann. Nutzen Sie den Stampfer für optimale Ergebnisse.

SUPPE

Dieses Programm ist ausschließlich für die Zubereitung von heißen Suppen, aus frischem, rohem Gemüse. Es verarbeitet die rohen Zutaten zu einer feinen, heißen Suppe. In erster Linie handelt es sich um ein Hochleistungsprogramm das mit einem langsamen Rühren abschließt, um Dampfbläschen zu entfernen.



HINWEIS

Rohe Lebensmittel, wie Fleisch und Meeresfrüchte, müssen zunächst gekocht werden, bevor Sie mit dem SUPPEN-Programm (SOUP) verwendet werden können.



WARNUNG

Fügen Sie keine heißen Zutaten hinzu, wenn Sie das SUPPEN-Programm (SOUP) verwenden.

REINIGUNG

Zu verwenden, um den größten Teil der Zutaten von den Wänden des Mixbehälters und den Klingen zu lösen. Geben Sie 4 Tassen warmes Seifenwasser in den Mixbehälter und drücken Sie die Taste REINIGEN (CLEAN). Fügen Sie bei schwer zu lösenden, klebrigen oder zähen Zutaten einen ½ Teelöffel Geschirrspülmittel hinzu, um die Reinigungskraft zu verstärken. Optimale Resultate werden erzielt, wenn der Mixbehälter sofort nach der Verwendung auf diese Weise gereinigt wird.



Tipps

- Der innere Messbecher kann entnommen werden, um Öl/Flüssigkeiten oder sonstige Zutaten während des Mixvorgangs hinzuzufügen. Es gilt, höchste Vorsicht walten zu lassen, da je nach Gemisch und Betriebsgeschwindigkeit Spritzer aus dem Deckel treten können oder sogar der Inhalt überläuft. Es wird nicht empfohlen, den inneren Messbecher beim Mixen warmer Flüssigkeiten herauszunehmen.
- Überschreiten Sie die Maximalkennzeichnung beim Befüllen des Mixbehälters mit Lebensmitteln und Flüssigkeiten nicht.
- Nutzen Sie die Tasten PULSE | ICE CRUSH, wenn die Zutaten zu groß und grobstückig sind, um im Mixbehälter zu zirkulieren.
- Die Zubehörteile Schaber und Stampfer können während des Mixvorgangs genutzt werden, indem der innere Messbecher herausgenommen wird. Stellen Sie stets sicher, dass der Hauptdeckel fest sitzt.
- Die Zutaten können an den Innenwänden des Mixbehälters kleben bleiben. Um die Zutaten erneut auf die Klingen zu drücken, während der Hauptdeckel fest sitzt (innerer Messbecher entnommen), nutzen Sie den mitgelieferten Stampfer oder Schaber, um die Innenwände des Mixbehälters abzuschaben und mit dem Mixen fortzufahren.
- Falls während des Mixvorgangs Feuchtigkeit oder Flüssigkeit auf den Motorblock gelangt, schalten Sie den Mixer ab und ziehen Sie den Netzstecker aus der Steckdose. Nehmen Sie den Mixbehälter ab und wischen Sie den Motorblock umgehend mit einem trockenen Tuch oder einem Papiertuch ab.
- Die optimale Menge an Eiswürfeln, die der Mixer im Mixbehälter verarbeiten kann, ist 250 g (etwa 1 übliche Eiswürfelschale).
- Nachdem der Mixer 6 Minuten lang im manuellen Modus mit Mixbehälter oder 30 Sekunden lang mit Mixbecher betrieben wurde, schaltet er automatisch ab. Dies ist eine Sicherheitsfunktion, um den Motor zu schützen.
- Zähere Mischungen lassen sich effizienter pürieren, wenn der Mixbehälter $\frac{1}{4}$ bis $\frac{1}{2}$ voll ist.
- Nutzen Sie keine Metallutensilien, da diese die Klingen oder den Mixbehälter beschädigen können.
- Um alle Reste zu entfernen, die sich nicht unter den Klingen herauschaben lassen, setzen Sie den Deckel erneut auf und lassen Sie den Mixer erneut 4-5 Sekunden lang mit hoher Geschwindigkeit laufen, um die Reste unterhalb der Klingen herauszuschleudern.



Mixtabelle (für Mixbehälter)

LEBENSMITTEL	VORBEREITUNG & VERWENDUNG	MENGE	FUNKTIONEN	DAUER
Körner & Samen	Zu Mehl mahlen. Verwendung für Brot, Pizzateig, Kuchen, Muffins und Mehlteig.	250 g - 420 g 1-2 Tassen	MAHLEN (MILL)	20-30 Sekunden
Getrocknete Hülsenfrüchte & Mais z. B. Sojabohnen, Kichererbsen, Maiskörner	Zu Mehl mahlen. Verwendung in Kombination mit Mehl oder Backtriebmittel für Brot, Kuchen, Muffins, Pfannkuchen.	250 g - 420 g 1-2 Tassen	MAHLEN (MILL)	20-30 Sekunden
Gewürze	Zur Herstellung von gemahlene Gewürzen. Verwenden Sie ganze Gewürze mit Ausnahme von Zimtstangen, die in zwei Teile gebrochen werden müssen. Aufbewahrung in luftdichtem Behälter.	mindestens ¼ Tasse 8-16 Zimtstangen	MAHLEN (MILL)	20-30 Sekunden
Rohe Nüsse	Um Nussmehl herzustellen. Verwendung für Kuchen, Kekse und Muffins.	100 g - 400 g ½-2 Tassen	MAHLEN (MILL)	8-15 Sekunden
Geröstete Nüsse	Um Nussbutter und Aufstriche herzustellen.	100 g - 400 g ½-2 Tassen	MISCHEN (BLEND), Stampfer verwenden	20-30 Sekunden
Weißer Zucker	Mahlen, um reinen Puderzucker oder Staubzucker herzustellen.	100 g - 200 g 1-2 Tassen	MAHLEN (MILL)	15-30 Sekunden
Kekse/ Plätzchen	Kekse/Plätzchen auseinander brechen. Mixen, um Krümel zu erzeugen. Als Käsekuchen-Kruste zu verwenden.	250 g	PULSE ICE CRUSH	20-30 Sekunden
Semmelbrösel	Kruste entfernen. Brot in 2½ cm große Würfel schneiden Verwendung für Brotkrusten, Füllungen oder für Fleischbällchen und Fleischfrikadellen	120 g - 400 g (bis zu 5 Scheiben)	VERMENGEN (MIX)	20-30 Sekunden
Mayonnaise	Eigelb, Senf und Essig oder Zitronensaft vermengen. Langsam Öl durch den Deckel hinzufügen. Verwendung als Dressing.	Bis zu 4 Eigelb und 2 Tassen Öl.	VERMENGEN (MIX)	1 Min 30 Sek
Hartkäse (wie Parmesan und Pecorino)	In 3 cm große Würfel schneiden. Für cremige Saucen und Pastagerichte verwenden.	Maximal 250 g	HACKEN (CHOP)	15-25 Sekunden
Sahne	Sahne schlagen, bis sich feste Spitzen bilden. Vor dem Mixen nach Belieben Zucker oder Vanille hinzufügen.	300 - 600 ml	HACKEN (CHOP)	25-60 Sekunden
Rohes Gemüse	Schälen und in 2cm große Würfel schneiden. Fein gehakt. Verwendung für Füllungen, Eintöpfe und Aufläufe.	200g	HACKEN (CHOP)	4-6 Sekunden



LEBENSMITTEL	VORBEREITUNG & VERWENDUNG	MENGE	FUNKTIONEN	DAUER
Kokos-Mischung	Geschnittene Kokosnüsse Größe: nicht mehr als 25 mm Verwendung: Getränke	600+Wasser 1300	MAHLEN (MILL)	10 Sekunden
Gemischte Suppen	Auf Raumtemperatur abkühlen	700 ml	SUPPEN GESCHWINDIGKEIT	30 Sekunden



LEBENSMITTEL	VORBEREITUNG & VERWENDUNG	MENGE	FUNKTIONEN	DAUER
Smoothie-Getränk	Milch, Gehackte frische Früchte, Joghurt, Eiscreme	Maximal 400 ml	SMOOTHIE	30 Sekunden

Trockenmahlung

Bitte beachten Sie, dass das Mahlen harter Zutaten wie Gewürze, Nüsse, Zucker, Kaffee, Körner, etc. Kratzer und Trübungen an der Innenseite des Mixbehälters verursachen kann. Dies ist das kosmetische Ergebnis des Mahlens dieser Art von Zutaten und hat keine Auswirkung auf die Leistung des Mixbehälters.

Verhindern Sie jedoch ein übermäßiges Verarbeiten von Gewürzen. Die in Gewürzen enthaltenen essenziellen Öle können in Kombination mit Wärme die Oberfläche des Mixbehälters beschädigen. Diese Mixübersicht sollte nur als Orientierungshilfe verwendet werden.



Fehlerbehebung

PROBLEM	EINFACHE LÖSUNG
Motor startet nicht oder Klinge rotiert nicht	<ul style="list-style-type: none"> • Prüfen Sie, ob Mixbehälter und Deckel richtig sitzen. • Prüfen Sie, ob das Netzkabel ordnungsgemäß in der Steckdose steckt. • Prüfen Sie, ob die Taste EIN OFF und die gewählte Funktionstaste beleuchtet sind.
Die Lebensmittel werden ungleichmäßig zerkleinert	<ul style="list-style-type: none"> • Nutzen Sie den Stampfer beim Mixen, um die Zutaten zu verteilen. • Reduzieren Sie die Geschwindigkeit, was die Wahrscheinlichkeit, dass die Klingen die Lebensmittel greifen, erhöht. • Dies kann passieren, wenn zu viel Inhalt auf einmal gemixt wird. Versuchen Sie es mit einer kleineren Menge und verarbeiten Sie es schrittweise. • Die Zutaten sind möglicherweise zu groß. Versuchen Sie, kleinere Stücke zu schneiden. Optimale Ergebnisse werden erzielt, wenn die Stücke maximal 2 cm groß sind.
Die Lebensmittel werden zu fein gehakt oder sind wässrig	<ul style="list-style-type: none"> • Versuchen Sie es mit einer kürzeren Mixdauer oder einer niedrigeren Geschwindigkeit. • Nutzen Sie die Funktion ICE CRUSH PULSE für eine bessere Kontrolle.
Die Lebensmittel haften an den Klingen und am Mixbehälter	<ul style="list-style-type: none"> • Das Gemisch ist möglicherweise zu dickflüssig. Versuchen Sie, mehr Flüssigkeit hinzuzugeben und/oder eine niedrigere Geschwindigkeit beim Mixen zu nutzen
Die Lebensmittel stecken unter den Klingen fest	<ul style="list-style-type: none"> • Um alle Reste zu entfernen, die sich nicht unter den Klingen herauschaben lassen, setzen Sie den Deckel erneut auf und lassen Sie den Mixer erneut 4-5 Sekunden lang mit hoher Geschwindigkeit laufen, um die Reste unterhalb der Klingen herauszuschleudern.
Mixer überlastet	<ul style="list-style-type: none"> • Dieser Mixer verfügt über eine Motorschutzfunktion als Schutz vor Überhitzung und/oder vor Überstrom. Bei Aktivierung blinkt ÜBERLASTSCHUTZ (OVERLOAD PROTECTION) auf der LCD-Anzeige und der Mixer lässt sich nicht mehr betreiben. • Ist dieser aktiviert, schalten Sie den Mixer durch Drücken der Taste AN AUS auf dem Bedienfeld ab und ziehen Sie den Netzstecker des Mixers aus der Steckdose. Warten Sie einige Minuten, bevor Sie den Stecker erneut einstecken und den Mixer ANschalten. • Blinkt die Anzeige ÜBERLASTSCHUTZ (OVERLOAD PROTECTION) noch immer, wiederholen Sie es und lassen Sie den Mixer mindestens 20-30 Minuten lang abkühlen. Nachdem ÜBERLASTSCHUTZ (OVERLOAD PROTECTION) von der Anzeige verschwunden ist, ist der Mixer erneut betriebsbereit. • Wir empfehlen das Mixen in kleineren Mengen oder das Schneiden von Zutaten in kleinere Stücke.



Reinigung & Pflege

Mixbehälter und Deckel

Um zu vermeiden, dass die Lebensmittelreste an den Klingen, Behältern und Deckeln antrocknen, befolgen Sie die nachfolgenden Schritte so schnell wie möglich nach dem Gebrauch:

- Spülen Sie den Großteil der Lebensmittelreste von den Behältern und Deckeln.

2-Liter-Mixbehälter

- Geben Sie 1 Liter warmes Wasser und 1-2 Tropfen Geschirrspülmittel in den Mixbehälter und drücken Sie die Taste REINIGEN (CLEAN).
- Spülen Sie den Mixbehälter und Deckel erneut ab und/oder waschen Sie beides in warmem Seifenwasser mit einem weichen Tuch oder einer Flaschenbürste.

Mixer-Zubehör

- Alle Zubehörteile sind spülmaschinenfest im obersten Fach.
- Um das Entfernen von Lebensmittelresten von den Klingen und Becherseiten zu erleichtern, können Sie 250 ml kaltes Wasser in den Becher geben und REINIGEN (CLEAN) drücken.
- Spülen Sie den Becher anschließend mit warmem Wasser ab.
- Ist er noch nicht sauber, waschen Sie ihn in warmem Seifenwasser unter Verwendung eines milden Geschirrspülmittels und eines nicht scheuernden Schwammes.



WARNUNG

Es besteht das Risiko, dass der Becher durch das heiße Wasser und / oder das Geschirrspülmittel unter Druck gesetzt wird. Geben Sie bei der Reinigung des Mixbechers über das Programm REINIGEN (CLEAN) niemals weder heißes noch warmes Wasser hinzu, da der dadurch entstehende Dampf einen gefährlichen Druck erzeugen kann. Geben Sie kein Reinigungsmittel hinzu, da sich der entstehende Schaum ausdehnen und Druck erzeugen kann.



WARNUNG

Die in Zitruschalen enthaltenen Öle können das Material Ihres Mixbehälters und Mixbechers beschädigen, wenn sie über einen längeren Zeitraum hinweg verarbeitet werden. Reinigen Sie Ihren Mixbehälter und Mixbecher stets unmittelbar nach der Verarbeitung einer Zitruschale.

Motorblock

Reinigen Sie den Motorblock mit einem weichen feuchten Tuch und trocknen Sie ihn anschließend gründlich ab. Wischen Sie verbleibende Speisereste vom Netzkabel.

Reinigungsmittel

Verwenden Sie keine scheuernden Topfreiniger oder Reinigungsmittel, weder für den Motorblock noch für den Mixbehälter, da diese die Oberfläche zerkratzen

könnten. Verwenden Sie ausschließlich warmes Seifenwasser mit einem weichen Tuch.

Geschirrspülmaschine

Mixbehälter, Mixbecher-Set, Stampfer, Schaber sowie alle Deckel können in der Geschirrspülmaschine mit dem Standard-Spülprogramm gereinigt werden. Der Mixbehälter kann ins untere Fach gestellt werden, der Mixbecher und die Deckel sollten jedoch ausschließlich im oberen Fach gereinigt werden.

Hartnäckige Lebensmittelverfärbungen und Gerüche

Lebensmittel mit starkem Geruch wie Knoblauch und Fisch sowie einige Gemüsearten, z. B. Karotten, hinterlassen unter Umständen einen Geruch oder Flecken.

2-Liter-Mixbehälter

Um Verfärbungen oder Gerüche zu entfernen, reinigen Sie Mixbehälter und Deckel gemäß der Reinigungsanweisung. Geben Sie 2 Esslöffel Natron und ½ Tasse (125 ml) Essig in den Mixbehälter und lassen Sie die Mischung 1 Minute aufschäumen. Schrubben Sie Mixbehälter und Deckel mit dem Gemisch unter Verwendung einer weichen Spülbürste. Fügen Sie 2 Tassen warmes Wasser hinzu und lassen Sie das Ganze 5 Minuten lang stehen. Setzen Sie den Mixbehälter auf den Sockel des Mixers. Setzen Sie den Deckel ein und drücken Sie auf die Taste REINIGEN (CLEAN). Spülen Sie den Mixbehälter gründlich ab und lassen Sie ihn an der Luft trocknen. Bewahren Sie den Mixbehälter ohne eingesetzten Deckel auf, damit die Luft zirkulieren kann.

Mixbecher

Um diese zu entfernen, befüllen Sie den Mixbecher mit warmem Seifenwasser bis zur MAX-Markierung. Stellen Sie ihn zur Seite und lassen Sie ihn 5 Minuten lang einweichen. Waschen Sie ihn anschließend mit einem milden Geschirrspülmittel und warmem Wasser, spülen Sie ihn sorgfältig ab und trocknen Sie ihn gründlich. Nutzen Sie die Funktion REINIGEN (CLEAN) nicht, um Ihren Mixbecher von hartnäckigen Flecken und Gerüchen zu befreien.

Trockenmahlung

Das Mahlen harter Zutaten wie Gewürze, Nüsse, Zucker, Kaffee, Körner, etc. kann Kratzer und Trübungen an der Innenseite des Mixbehälters verursachen.

Einige Gewürze und Kräuter setzen aromatische Öle frei, die den Mixbehälter verfärben oder ein Aroma hinterlassen können.

Das Mahlen dieser Art von Zutaten führt zu kosmetischen Ergebnissen und hat keine Auswirkung auf die Leistung des Mixbehälters.

Aufbewahrung

Bewahren Sie Ihren Mixer in aufrechter Position auf, wobei sich der Mixbehälter auf dem Motorblock oder daneben befindet. Bewahren Sie den Mixbecher mit dem montieren Klingensystem auf. Stellen Sie nichts auf den Mixer. Setzen Sie den Deckel nicht ein, damit Luft zirkulieren kann.



Garantie

10 JAHRE BESCHRÄNKTE GARANTIE

Sage Appliances gibt auf dieses Produkt für den häuslichen Gebrauch in bestimmten Gebieten eine Garantie über 10 Jahre ab Kaufdatum für Mängel, die durch fehlerhafte Verarbeitung und Materialien verursacht wurden. Während dieser Garantiezeit wird Sage Appliances jedes fehlerhafte Produkt reparieren, ersetzen oder das Geld zurückerstatten (nach eigenem Ermessen von Sage Appliances).

Alle gesetzlichen Gewährleistungsrechte nach geltendem nationalem Recht werden beachtet und durch unsere Garantie nicht beeinträchtigt. Die vollständigen Garantiebestimmungen und -bedingungen sowie Hinweise zur Geltendmachung von Ansprüchen finden Sie unter www.sageappliances.com.



HINWEIS

the Super Q™



FR GUIDE RAPIDE

Sage®



Table des matières

- 2 Sage® recommande la sécurité en premier
- 8 Composants
- 9 Fonctions
- 12 Tableau de mélange
- 14 Dépannage
- 15 Entretien et nettoyage
- 16 Garantie

SAGE® RECOMMANDE LA SÉCURITÉ EN PREMIER

Chez Sage®, la sécurité est une priorité. Nous concevons et fabriquons des produits consommateurs en mettant la sécurité de nos clients importants, c'est-à-dire vous, au premier plan. Nous vous demandons également de faire attention lorsque vous utilisez un appareil électrique et de respecter les consignes suivantes.

DISPOSITIFS IMPORTANTES DE SÉCURITÉ

LISEZ TOUTES LES INSTRUCTIONS AVANT UTILISATION ET CONSERVEZ- LES POUR RÉFÉRENCE ULTÉRIEURE

- Une version téléchargeable de ce document est également disponible sur sageappliances.com.
- Avant une première utilisation, assurez-vous que l'alimentation électrique est identique à celle illustrée sur l'étiquette située en dessous de l'appareil.
- Retirez et jetez de façon sûre tout emballage avant la première utilisation.
- Pour éviter tout risque d'étouffement chez les jeunes enfants, jetez de manière sûre le couvercle de protection situé sur la prise d'alimentation.
- Cet appareil est destiné à un usage domestique uniquement. N'utilisez pas l'appareil pour toute autre fin que son utilisation prévue. Ne l'utilisez pas sur un bateau ou dans des véhicules en mouvement. Ne l'utilisez pas en extérieur. Une mauvaise utilisation peut engendrer des blessures.
- Déroulez entièrement le cordon d'alimentation avant utilisation.

- Placez l'appareil sur une surface stable, résistante à la chaleur, à niveau et sèche, éloigné du bord et n'utilisez pas l'appareil sur ou à proximité d'une source de chaleur (plaque chauffante, four ou cuisinière au gaz).
- Des vibrations pendant l'utilisation peuvent engendrer un déplacement de l'appareil.
- Ne laissez pas le cordon d'alimentation suspendu au bord d'un banc ou d'une table, toucher des surfaces chaudes ou se nouer.
- Assurez-vous toujours que l'appareil est hors tension, débranché de la prise électrique et qu'il a refroidi avant de le nettoyer, de le déplacer ou de l'entreposer.
- Assurez-vous toujours que l'appareil est hors tension, éteint et débranché de la prise électrique lorsqu'il n'est pas utilisé.
- N'utilisez pas l'appareil si le cordon d'alimentation, la prise ou l'appareil est endommagé de quelque manière que ce soit. En cas de dommages et qu'un autre entretien que le nettoyage est nécessaire, veuillez contacter le service client Sage ou consulter la page sageappliances.com.
- Tout entretien autre que le nettoyage doit être réalisé par un centre de services Sage® agréé.
- Les enfants ne doivent pas jouer avec l'appareil.
- Le nettoyage de l'appareil ne doit pas être effectué par des enfants, sauf s'ils ont au moins 8 ans et s'ils sont sous la surveillance d'un adulte.
- L'appareil et son cordon doivent être conservés hors de la portée des enfants de 8 ans et moins.
- L'installation d'un commutateur de sécurité de courant résiduel est recommandée pour fournir une sécurité supplémentaire lors de l'utilisation de tous les appareils électriques. Les commutateurs de sécurité avec un courant de fonctionnement nominal non supérieur à 30 mA sont recommandés. Consultez un électricien pour obtenir des conseils professionnels.
- Assurez-vous toujours que l'appareil est correctement assemblé conformément aux instructions avant utilisation. L'utilisation de l'appareil sans qu'il soit correctement assemblé peut provoquer un dysfonctionnement du produit, des dommages au produit ou engendrer un risque de sécurité, notamment une blessure corporelle.
- N'utilisez pas l'appareil sur l'égouttoir d'un évier.

- Conservez vos mains, doigts, cheveux, vêtements, mais aussi les spatules et autres ustensiles éloignés des pièces amovibles ou rotatives lors du fonctionnement.
- N'utilisez pas l'appareil pour toute autre fin qu'une préparation alimentaire et/ou de boissons.
- Afin d'éviter tout risque que l'appareil ne démarre seul en raison de la remise en marche involontaire de la protection contre les surcharges, ne connectez pas de dispositif de commutation supplémentaire externe (comme un minuteur) ou ne branchez pas l'appareil à un circuit pouvant régulièrement mettre l'appareil sous tension et hors tension.
- Lisez soigneusement toutes les instructions avant utilisation et conservez-les pour référence ultérieure.
- L'appareil peut être utilisé par des personnes aux capacités mentales ou physiques réduites ou ayant peu d'expérience et de connaissances uniquement sous une supervision ou s'ils ont reçu des instructions sur l'utilisation sécuritaire de l'appareil et qu'elles comprennent les risques impliqués.
- Cet appareil ne doit pas être utilisé par des enfants.
- Ne laissez pas l'appareil sans surveillance lorsqu'il est en cours d'utilisation.
- Laissez le moteur se reposer pendant une minute entre chaque utilisation.
- Soyez prudent lors de la manipulation et du nettoyage des lames, elles peuvent être très coupantes. Une mauvaise manipulation des lames peut engendrer des blessures.
- Évitez de placer une tasse ou un pichet sur la base du moteur lorsque le moteur tourne toujours.
- Ne l'utilisez pas sans ingrédient dans la tasse ou le pichet.
- N'essayez jamais de l'utiliser avec des lames endommagées, ou avec des ustensiles ou tout autre objet étranger dans la tasse ou le pichet.
- Ne soumettez pas la tasse ou le pichet à des conditions de chaleur ou de froid extrêmes, par exemple en plaçant un pichet froid dans de l'eau chaude, ou inversement.
- Le couvercle doit être fermement fixé au pichet avant l'utilisation pour assurer que le contenu interne ne fuit pas, ne se pulvérise pas ou ne déborde pas.
- Ne retirez pas le pichet de la base du moteur lorsque le mixeur est en cours d'utilisation.

- Utilisez uniquement le pichet du mixeur, le couvercle, les tasses et l'ensemble de lames et accessoires fournis avec ce mixeur. L'utilisation d'accessoires non fabriqués ou non indiqués par Sage peut provoquer des incendies, des chocs électriques ou des blessures.
- N'utilisez pas le mixeur lorsque la PROTECTION CONTRE LES SURCHARGES clignote sur l'écran LCD. Si cela se produit, débranchez le mixeur et attendez pendant 30 minutes que le moteur refroidisse. Une fois refroidi, vous pourrez à nouveau utiliser le mixeur normalement.
- Faites attention lorsque vous versez des liquides chauds dans le mixeur, car il peut y avoir des éclaboussures à cause de la création de vapeurs.
- Lors du mélange de liquides chauds, assurez-vous que le bouchon doseur interne est en place. Le bouchon vous protège des éclaboussures de liquides chauds lors du mélange, et comporte des événements conçus pour libérer la pression et éviter l'accumulation de vapeurs.
- Faites attention lorsque vous retirez le couvercle après le mélange de liquides chauds, car de la vapeur peut être coincée et éjectée hors du pichet.
- Respectez strictement la limite de capacité réduite pour le mélange des ingrédients chauds. L'incapacité à suivre cette instruction peut engendrer des blessures corporelles dont des brûlures à cause des liquides chauds.
- Ne mélangez jamais des ingrédients ou liquides chauds avec la fonction de mélange vide (le mélange vide est une fonction facultative atteinte grâce à utilisation de la pompe à vide Sage fournie séparément).
- N'utilisez jamais d'accessoires non fournis avec ce produit, ou qui ont été autorisés par Sage pour être utilisés avec ce produit. L'incapacité à suivre cette instruction peut provoquer un dysfonctionnement du produit, des dommages au produit ou engendrer un risque de sécurité.
- Pour connaître les accessoires facultatifs autorisés par Sage pour être utilisés avec ce produit, veuillez lire les instructions fournies avec l'accessoire, ainsi que les instructions fournies dans ce livret.

AVIS AUX CLIENTS CONCERNANT LE STOCKAGE DE LA MÉMOIRE

Veillez noter qu'afin de mieux servir nos clients, une mémoire interne a été intégrée à votre appareil. Cette mémoire se compose d'une petite puce recueillant certaines informations sur votre appareil, dont sa fréquence d'utilisation et la façon dont il est utilisé. Dans l'éventualité où votre appareil serait renvoyé pour réparation, les renseignements recueillis à partir de la puce nous permettront de le réparer rapidement et efficacement. Les informations recueillies constituent également une ressource précieuse pour le développement de futurs appareils électroménagers afin de mieux répondre aux besoins de nos clients. La puce ne recueille aucune information concernant les personnes qui utilisent le produit ou le foyer dans lequel il est utilisé. Si vous avez des questions sur la puce de stockage de mémoire, veuillez nous contacter à privacy@sageappliances.com.

LORS DE L'UTILISATION D'ACCESSOIRES DU MIXEUR PERSONNELS, VEUILLEZ PRENDRE CONNAISSANCE DES INFORMATIONS SUIVANTES :

Ouvrir une tasse de mixeur personnel sous pression peut provoquer l'éclaboussement des ingrédients, ou des brûlures si les contenus sont chauds. Pour réduire ce risque, respectez toujours les instructions ci-dessous :

- Ne mélangez jamais des ingrédients chauds. Arrêtez le processus de mélange si des contenus deviennent chauds pendant le mélange. Ne mélangez jamais des ingrédients pendant plus d'une minute. Mélanger pendant plus d'une minute peut provoquer le chauffage des aliments et la vapeur risque de mettre la tasse sous pression.
- N'essayez jamais de dévisser la lame de la base de la tasse lorsque la tasse est sous pression à cause d'une accumulation de vapeur. Laissez la tasse refroidir à température ambiante avant de dévisser soigneusement la lame.
- Ne mélangez jamais des liquides et détergents gazeux, ou tout ingrédient pouvant développer ou générer un gaz.

- Ne remplissez jamais la tasse au-delà de la capacité maximale indiquée.
- En cas de fuite lors du mélange, arrêtez immédiatement de mixer et débranchez l'unité de l'alimentation. Assurez-vous que la tasse de mixeur personnelle n'est pas remplie au-dessus du niveau maximum et que le joint et la tasse ne sont pas endommagés. Nettoyez la fuite avec un chiffon sec et vissez fermement la tasse au mécanisme de mélange avant de recommencer à mixer.



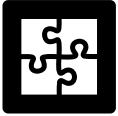
Le symbole illustré indique que cet appareil ne doit pas être jeté dans les déchets domestiques normaux.

Il doit être amené dans un centre de collecte de déchets des autorités locales désigné à cette fin ou à un revendeur proposant ce service. Pour en savoir plus, veuillez contacter votre bureau de conseils local.

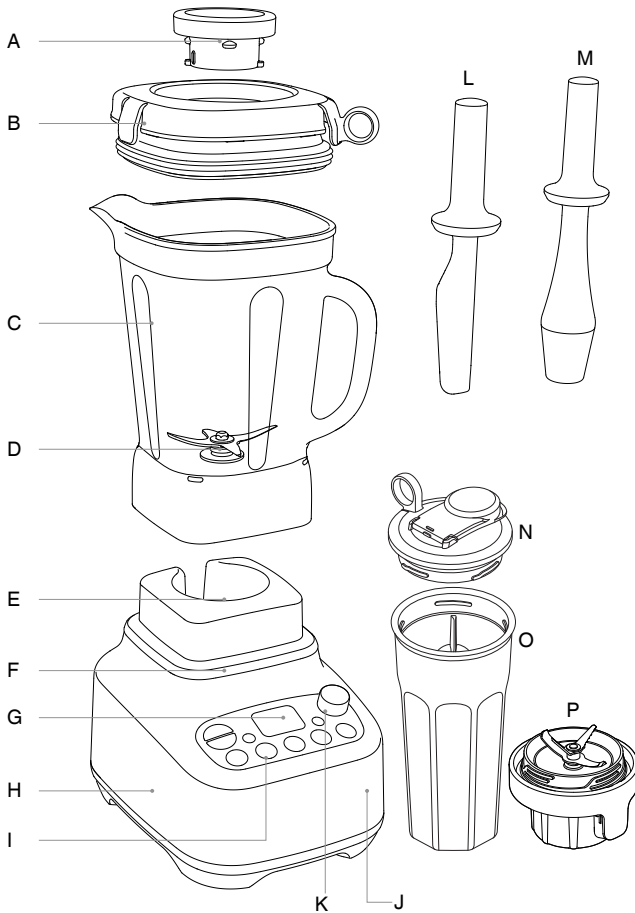


À des fins de protection contre les chocs électriques, n'immergez pas la prise électrique, le cordon ou l'appareil dans l'eau ou dans un liquide.

CONSERVEZ CES INSTRUCTIONS



Composants



- A. Bouchon doseur interne
- B. Couvercle haute performance
- C. Pichet 2 litres sans BPA
- D. Système de bol et lame extra large robuste
- E. Raccord métallique robuste
- F. Moteur 2 400 W robuste
- G. Indicateur LCD avec minuteur
- H. Base durable

- I. 5 programmes préconfigurés
- J. Protection contre les surcharges
- K. Sélection manuelle de la vitesse

ACCESSOIRES

- L. Grattoir
- M. Tampon
- N. Couvercle amovible
- O. Tasse du mixeur personnelle sans BPA
- P. Système de lame du mixeur personnel



Informations sur la tension nominale

220 à 240 V ~ 50-60 Hz 2400W



Fonctions

AVANT LA PREMIÈRE UTILISATION

Avant d'utiliser votre mixeur Sage® pour la première fois, retirez l'emballage et les étiquettes promotionnelles.

Lavez le couvercle, le couvercle interne, le pichet du mixeur (consultez la section « Entretien et nettoyage ») dans de l'eau savonneuse tiède avec un chiffon doux. Rincez et séchez soigneusement. Ne placez pas les pièces dans le lave-vaisselle (sauf le pichet du mixeur).

Veillez consulter la section « Entretien et nettoyage » pour en savoir plus. Vous pouvez essuyer la base du moteur avec un chiffon doux et humide. Séchez soigneusement.

COMMENCER

Mode Ready (Prêt)

Appuyez sur le bouton ON / OFF pour allumer l'unité en mode READY (Prêt).

Veille

Après 2 minutes d'inactivité, l'écran LCD s'éteint et le bouton ON / OFF clignote en rouge.

Après 5 minutes d'inactivité, le mixeur s'éteint. Appuyez sur le bouton ON / OFF pour réactiver le mixeur.

RÉSERVOIRS

Cette unité comprend deux réservoirs de mélange. La base du mixeur détecte automatiquement le réservoir et ajuste les durées de mélange des programmes préconfigurés pour optimiser les résultats des aliments.

Pichet 2 litres

Le pichet est recommandé pour de grands volumes allant jusqu'à 2 litres et peut être utilisé avec tous les programmes préconfigurés.

Système de lame et tasse du mixeur personnels

La tasse personnelle du mixeur mélange de plus petits volumes, allant jusqu'à 700 ml. Le couvercle amovible la transforme en tasse à emporter, elle est donc idéale pour les boissons mixées.

Les programmes préconfigurés PULSE (Battement), ICE CRUSH (Glace pilée), SMOOTHIE et GREEN SMOOTHIE (Smoothie vert) sont activés. Les programmes FROZEN DESSERT (Dessert glacé) et SOUP (Soupe) ne conviennent pas pour être utilisés avec les accessoires personnels du mixeur et les programmes préconfigurés sont désactivés.

PAUSE (INTERROMPRE)/CANCEL (ANNULER)

Pour le mélange manuel :

Le premier appui interrompt la vitesse sélectionnée. Le second annule la vitesse sélectionnée. Tournez le bouton pour recommencer à mixer.

Pour le mélange avec programmes :

Le premier appui interrompt le programme sélectionné.

Le second annule le programme sélectionné. Appuyez sur le bouton PROGRAM (Programme) pour démarrer à nouveau le programme.



FONCTIONNEMENT MANUEL

BOUTON DE CONTRÔLE DE LA VITESSE

Faites tourner le bouton de contrôle de la vitesse dans le sens horaire pour sélectionner l'un des 12 paramètres de vitesse, de REMUER lentement à MOUDRE très rapidement.

Pour arrêter le mélange, tournez le bouton de contrôle de la vitesse dans le sens anti-horaire pour retourner sur READY (Prêt).

Le mixeur est programmé pour autoriser les vitesses manuelles à fonctionner pendant un total de 6 minutes (pichet de 2 litres) ou de 30 secondes (tasse personnelle du mixeur) avant de s'arrêter automatiquement.



AVERTISSEMENT

Ne mélangez jamais des liquides bouillants. Laissez les ingrédients refroidir à température ambiante avant de les placer dans le pichet du mixeur.

PROGRAMMES PRÉCONFIGURÉS

PULSE -(BATTEMENT) | ICE CRUSH (GLACE PILÉE)

Programme de battement continu conçu pour hacher les aliments dans une consistance homogène ou en glace pilée.

SMOOTHIE

Pour les smoothies à base de lait. Association de vitesses et battements conçue pour combiner et aérer les ingrédients en une texture onctueuse et crémeuse.

GREEN SMOOTHIE (SMOOTHIE VERT)

Pour mélanger des fruits/légumes entiers en boisson onctueuse. Association de profils haute vitesse qui divise les fibres en particules très fines. Utilisez le tampon si les ingrédients sont coincés.

FROZEN DESSERT (Dessert glacé)

Programme à vitesse élevée pour broyer les légumes/fruits congelés en dessert prêt à manger. Pour obtenir de meilleurs résultats, utilisez le tampon.

SOUP (Soupe)

Ce programme est exclusivement destiné à créer une soupe passant de froide à chaude - il transforme les ingrédients entiers à température ambiante en une soupe lisse et chaude. Le programme commence à vitesse rapide, et se termine en remuant lentement pour libérer les bulles de vapeur.



REMARQUE

Les aliments crus comme la viande et les fruits de mer doivent être cuits avant d'utiliser le programme SOUP (Soupe).



AVERTISSEMENT

N'ajoutez pas d'ingrédients chauds lorsque vous utilisez le programme SOUP (Soupe).

NETTOYER

Utilisez cette fonction pour retirer la plupart des ingrédients des parois et lames du mixeur. Ajoutez quatre verres d'eau savonneuse tiède dans le pichet du mixeur, puis appuyez sur le bouton de nettoyage. Pour les ingrédients collants, épais ou difficiles à nettoyer, ajoutez 1/2 cuillère à café de liquide vaisselle pour obtenir un effet nettoyant supplémentaire. Pour de meilleurs résultats, nettoyez de cette manière le pichet du mixeur immédiatement après utilisation.



Astuces

- Le bouchon doseur interne peut être retiré et les huiles/liquides ou autres ingrédients peuvent être ajoutés pendant le mélange. Vous devez faire extrêmement attention en fonction du mélange et des vitesses de fonctionnement, car des éclaboussures peuvent être éjectées du couvercle. Il n'est pas conseillé de retirer le bouchon doseur interne lors du mélange de liquides chauds.
- Ne dépassez pas le repère maximum lors de l'ajout d'aliments et de liquides dans le mixeur.
- Utilisez le bouton PULSE (Battement) | ICE CRUSH (Glace pilée) lorsque l'aliment est trop épais ou gros pour circuler dans le pichet du mixeur.
- Le grattoir et le tampon peuvent être utilisés lors du mélange, en retirant le bouchon doseur interne. Maintenez toujours le couvercle principal fermement en place.
- Les ingrédients peuvent coller aux parois du pichet du mixeur. Pour pousser les aliments dans les lames en maintenant le couvercle principal (couvercle interne retiré), utilisez le tampon ou le grattoir fourni pour racler les parois du pichet, et continuez à mélanger.
- Si de l'humidité ou des liquides éclaboussent le haut de la base du moteur lors du mélange, éteignez le mixeur et débranchez-le de la prise. Retirez le pichet du mixeur et essuyez immédiatement la base du moteur avec un chiffon sec ou une serviette en papier.
- La quantité optimale de glaçons que le mixeur peut traiter dans le pichet est de 250 g (environ une plaque de glaçons standard).
- Lorsque le mixeur fonctionne depuis 6 minutes en mode manuel avec le pichet ou 30 secondes avec la tasse du mixeur personnelle, il s'éteint automatiquement. Il s'agit d'une fonction de sécurité qui permet de protéger le moteur.
- Les mélanges plus épais sont concassés plus efficacement si le pichet est rempli au quart ou de moitié.
- N'utilisez pas d'ustensiles en métal, car ils peuvent endommager les lames ou la paroi du mixeur.
- Pour retirer tout aliment ne pouvant pas être facilement raclé de sous les lames, replacez le couvercle et remettez le mixeur sur vitesse élevée pendant 4 à 5 secondes pour faire sortir les aliments situés en-dessous des lames.



Tableau de mélange (pour le pichet)

ALIMENT	PRÉPARATION ET UTILISATION	QUANTITÉ	FONCTIONS	DURÉE
Graines	Moudre en farine. À utiliser pour le pain, les pâtes à pizza, les gâteaux, les muffins et les préparations à base de farine.	250 g - 420 g 1-2 tasses	Vitesse MILL (Moudre)	20-30 secondes
Légumes et blés secs, par ex. pois chiches et graines de soja	Moudre en farine. À utiliser en association avec de la farine ou farine fermentante pour le pain, les gâteaux, les muffins ou les pancakes.	250 g - 420 g 1-2 tasses	Vitesse MILL (Moudre)	20-30 secondes
Épices	Pour moudre des épices. Utilisez des épices entières, à l'exception des bâtons de cannelle qui doivent être cassés en deux. Conserver dans des récipients hermétiques.	minimum de ¼ tasse 8-16 bâtons de cannelle	Vitesse MILL (Moudre)	20-30 secondes
Noix brutes	Pour faire des repas avec des noix. À utiliser pour faire des gâteaux, biscuits et muffins.	100 g - 400 g ½-2 tasses	Vitesse MILL (Moudre)	8-15 secondes
Noix torréfiées	Pour faire du beurre et de la pâte à tartiner avec des noix.	100 g - 400 g ½-2 tasses	Vitesse BLEND (Mélanger), utiliser le tampon	20-30 secondes
Sucre blanc	Moudre pour faire du sucre glace pur ou du sucre en poudre.	100 g - 200 g 1-2 tasses	Vitesse MILL (Moudre)	15-30 secondes
Biscuits/cookies	Casser les biscuits/cookies en deux. Mélanger pour faire des miettes. À utiliser pour faire la chapelure des cheesecakes.	250 g	PULSE -(BATTÉMENT) ICE CRUSH (GLACE PILÉE)	20-30 secondes
Miettes de pain	Retirer la croûte. Couper en coupe de 2,5 cm. À utiliser dans des panures, farces, dans des boulettes de viande et dans des tourtes à la viande.	120 g-400 g (jusqu'à 5 parts)	Vitesse MIX (Mélanger)	20-30 secondes
Mayonnaise	Mélanger le jaune d'oeuf, la moutarde et le vinaigre ou le jus de citron. Ajouter lentement l'huile dans le couvercle. À utiliser pour l'assaisonnement.	Jusqu'à 4 jaunes d'oeuf et 2 tasses d'huile.	Vitesse MIX (Mélanger)	1 min 30 sec
Fromages durs (parmesan et pecorino)	Couper en cubes de 3 cm. À utiliser dans des sauces crémeuses et plats de pâtes.	250 g max.	Vitesse CHOP (Hacher)	15-25 secondes
Crème	Faire monter la crème en neige ferme. Ajouter du sucre ou de la vanille avant de mélanger, si souhaité.	300-600 mL	Vitesse CHOP (Hacher)	25-60 secondes
Légumes crus	Peler et couper en cubes de 2 cm. Finement hachés. À utiliser pour la farce, bolognaise et les ragouts.	200 g	Vitesse CHOP (Hacher)	4-6 secondes



ALIMENT	PRÉPARATION ET UTILISATION	QUANTITÉ	FONCTIONS	DURÉE
Mélange de noix de coco	Noix de coco tranchées Taille: pas plus de 25 mm Utilisation : boissons	600 + eau 1300	Vitesse MILL (Moudre)	10 secondes
Soupes mixées	Refroidir à température ambiante	700 ml	VITESSE DE LA SOUPE	30 secondes



ALIMENT	PRÉPARATION ET UTILISATION	QUANTITÉ	FONCTIONS	DURÉE
Boisson fouettée	Du lait, Fruits frais hachés, Yogourt, La crème glacée	400 mL max.	SMOOTHIE	30 secondes

Moulage à sec

Veillez noter que le moulage d'ingrédients durs comme les épices, les noix, le café, les graines etc. va rayer et assombrir l'intérieur des surfaces du pichet. Il s'agit d'un résultat esthétique provenant du moulage de ces ingrédients, et cela n'affecte pas les performances du mixeur.

Évitez cependant de trop utiliser d'épices. Les huiles essentielles trouvées dans les épices peuvent endommager la surface du pichet une fois chauffées.

Ce tableau de mélange doit uniquement être utilisé comme guide.



Dépannage

PROBLÈME

SOLUTION FACILE

Le moteur ne démarre pas ou la lame ne tourne pas

- Vérifiez que le couvercle et le pichet du mixeur sont en place.
- Vérifiez que la fiche secteur est correctement insérée dans la prise électrique.
- Vérifiez que le bouton ON / OFF et le bouton de la fonction choisie sont éclairés.

Les aliments ne sont pas hachés uniformément

- Utilisez le tampon lors du mélange pour aider à déplacer les ingrédients.
- Réduisez la vitesse de sorte que les lames puissent mieux attraper les aliments.
- Cela peut se produire lorsque trop d'aliments sont mixés simultanément. Essayez avec une plus petite quantité, et faites plusieurs paquets si nécessaire.
- Les ingrédients sont peut-être trop larges. Essayez de les couper en morceaux plus petits. Pour de meilleurs résultats, les ingrédients doivent être coupés en morceaux de 2 cm de largeur maximum.

Les ingrédients sont hachés trop finement ou sont aqueux

- Essayez de mixer sur des périodes plus courtes ou à une vitesse moins élevée.
- Utilisez la fonction PULSE (Battement) | ICE CRUSH (Glace pilée) pour un meilleur contrôle.

Les ingrédients se collent à la lame et au pichet

- Le mélange est peut-être trop épais. Essayez d'ajouter plus de liquides ou d'utiliser une vitesse moins rapide de mélange.

Aliments coincés sous les lames

- Pour retirer tout aliment ne pouvant pas être facilement raclé de sous les lames, remplacez le couvercle et remettez le mixeur sur vitesse élevée pendant 4 à 5 secondes pour faire sortir les aliments situés en-dessous des lames.

Surcharge du mixeur

- Ce mixeur est doté d'une fonction de protection du moteur servant à le protéger contre la surchauffe et/ou une utilisation trop fréquente. Lorsque la fonction PROTECTION CONTRE LES SURCHARGES est activée, elle clignote sur l'écran LCD et le mixeur ne peut plus être utilisé.
- Si elle est activée, assurez-vous toujours que le mixeur est hors tension en appuyant sur le bouton ON / OFF du panneau de commandes et qu'il est débranché de la prise secteur. Attendez quelques instants, puis rebranchez le mixeur et mettez-le sous tension.
- Si la PROTECTION CONTRE LES SURCHARGES clignote toujours, répétez l'action et laissez le mixeur refroidir pendant 20 à 30 minutes au moins. Une fois la PROTECTION CONTRE LES SURCHARGES disparue de l'écran, le mixeur peut être utilisé à nouveau.
- Nous recommandons de mixer dans de plus petits paquets, ou de couper les ingrédients en morceaux plus petits.



Entretien et nettoyage

Réservoirs et couvercles

Pour empêcher les aliments de sécher sur les lames, les réservoirs et le couvercle, suivez les étapes ci-dessous dès que possible après utilisation :

- Rincez la plupart des ingrédients des réservoirs et du couvercle.

Pichet 2 litres

- Ajoutez 1 L d'eau tiède et 1 à 2 gouttes de détergent et appuyez sur le bouton de nettoyage.
- Rincez le pichet et le couvercle à nouveau, ou lavez-les séparément dans de l'eau savonneuse tiède avec un chiffon doux ou un goupillon.

Accessoires personnels du mixeur

- Tous les accessoires personnels du mixeur peuvent être placés sur l'étagère supérieure d'un lave-vaisselle.
- Pour aider à retirer les résidus d'aliments des lames et des parois de coupe, vous pouvez ajouter 250 mL d'eau froide dans la tasse personnelle du mixeur et appuyer sur CLEAN (Nettoyer).
- Rincez ensuite la tasse avec de l'eau tiède.
- Si elle n'est pas encore propre, lavez-la à la main dans de l'eau savonneuse tiède avec un détergent liquide doux et une éponge non abrasive.



AVERTISSEMENT

Il existe un risque de pressurisation du détergent ou de l'eau tiède. Lorsque vous rincez la tasse personnelle du mixeur avec le cycle de nettoyage, n'ajoutez jamais de l'eau tiède ou chaude, car la vapeur produite peut créer une pressurisation dangereuse. N'ajoutez pas de détergent, car la mousse produite va s'étendre et peut provoquer une pressurisation.



AVERTISSEMENT

Les huiles des zestes d'agrumes peuvent endommager le matériel du pichet et de la tasse personnelle du mixeur s'ils y sont exposés pendant une longue période. Nettoyez toujours le pichet et la tasse personnelle du mixeur immédiatement après avoir utilisé des zestes d'agrumes.

Base du moteur

Pour nettoyer la base du moteur, essuyez avec un chiffon doux et humide et séchez soigneusement. Essayez tout excès de particules alimentaires du cordon d'alimentation.

Agents de nettoyage

N'utilisez pas de tampons ou nettoyeurs abrasifs sur la base du moteur ou le pichet, car ils pourraient rayer la surface. Utilisez uniquement de l'eau savonneuse tiède avec un chiffon doux.

Lave-vaisselle

Le pichet du mixeur, la tasse personnelle du mixeur, le système de lame personnel du mixeur, le tampon et tous les couvercles peuvent être lavés dans un lave-vaisselle avec un cycle de nettoyage standard. Le pichet peut être placé sur l'étagère inférieure, cependant la tasse personnelle du mixeur et les couvercles doivent être uniquement nettoyés sur l'étagère supérieure.

Odeurs et tâches d'aliments tenaces

Les aliments à forte odeur comme l'ail, le poisson et certains légumes (carottes) peuvent laisser une odeur ou des tâches.

Pichet 2 litres

Pour retirer odeurs et tâches, nettoyez le pichet et le couvercle conformément aux instructions de nettoyage. Ajoutez deux cuillères de bicarbonate de soude et 1/2 verre (125 ml) de vinaigre, puis laissez le mélange mousser pendant 1 minute. Grattez le pichet et le couvercle avec le mélange en utilisant une brosse de vaisselle douce. Ajoutez deux verres d'eau tiède et laissez agir pendant 5 minutes. Fixez le pichet à la base du mixeur. Fixez le couvercle, puis appuyez sur le bouton CLEAN (Nettoyer). Rincez soigneusement le pichet, et laissez sécher à l'air libre. Entrez le pichet et le couvercle non fixé sur le pichet de sorte que l'air puisse circuler.

Tasse du mixeur personnelle

Pour retirer odeurs et tâches, versez de l'eau savonneuse tiède et remplissez jusqu'au repère MAX. Laissez tremper pendant 5 minutes. Nettoyez ensuite avec un détergent doux et de l'eau tiède, rincez bien et séchez soigneusement. N'utilisez pas la fonction CLEAN (Nettoyer) pour retirer les tâches et odeurs tenaces de la tasse personnelle de votre mixeur.

Moulage à sec

Le moulage d'ingrédients durs comme les épices, les noix, le café, les graines etc. va rayer et assombrir l'intérieur des surfaces du pichet. Certaines épices et herbes libèrent des huiles aromatiques qui peuvent décolorer la paroi ou laisser une odeur. Il s'agit d'un résultat esthétique provenant du moulage de ces ingrédients, et cela n'affecte pas les performances du mixeur.

Entreposage

Entrez le pichet du mixeur assemblé sur la base du moteur, ou à côté. Entrez la tasse personnelle du mixeur avec le système de lame assemblé. Ne placez rien au-dessus. Pour laisser l'air circuler, ne laissez pas le couvercle sur le pichet.



Garantie

GARANTIE LIMITÉE 10 ANS

Sage Appliances garantit ce produit pour un usage domestique sur les territoires spécifiés pendant 10 ans à compter de la date d'achat, contre les défauts de fabrication et de matériaux. Au cours de cette période de garantie, Sage Appliances s'engage à réparer, remplacer ou rembourser tout produit défectueux (à sa seule discrétion).

Tous les droits de garantie légaux en vertu de la législation nationale applicable seront respectés et ne seront pas compromis par notre garantie. Pour connaître les conditions générales complètes relatives à la garantie ou pour obtenir des instructions sur la manière de déposer une réclamation, rendez-vous sur www.sageappliances.com.

Déclaration à l'intention du consommateur

SAGE FRANCE - GARANTIE LIMITÉE

Sage Appliances garantit ce produit pour un usage domestique sur les territoires spécifiés pendant 2 ans à compter de la date d'achat initiale du produit contre les défauts de fabrication et de matériaux. La période de garantie peut-être supérieure pour certains produits ou pour certaines pièces de produits. Au cours de cette période de garantie, Sage Appliances s'engage à réparer, remplacer ou rembourser tout produit défectueux (à sa seule discrétion).

Tous les droits de garantie légaux en vertu de la législation nationale applicable seront respectés et ne seront pas compromis par notre garantie. Pour connaître les conditions générales complètes relatives à la garantie ou pour obtenir des instructions sur la manière de déposer une réclamation, rendez-vous sur www.sageappliances.com.

Les dispositions de la présente garantie ne sont pas exclusives du bénéfice, au profit de l'acheteur, de la garantie légale de conformité prévue par les articles L. 217-4 et suivants du Code de la consommation, ainsi que de la garantie des vices cachés prévue par les articles 1641 et suivants du Code civil, qui sont en tout état de cause applicables et ce même en l'absence d'application ou en cas d'exclusion de la garantie conventionnelle.

Lorsqu'il agit en garantie légale de conformité, le consommateur :

- bénéficie d'un délai de deux ans à compter de la délivrance du bien pour agir ;
- peut choisir entre la réparation ou le remplacement du bien, sous réserve des conditions de coût prévues par l'article L. 217-9 du code de la consommation ;
- est dispensé de rapporter la preuve de l'existence du défaut de conformité du bien durant les vingt-quatre mois suivant la délivrance du bien.

La garantie légale de conformité s'applique indépendamment de la garantie commerciale éventuellement consentie.

Le consommateur peut décider de mettre en œuvre la garantie contre les défauts cachés de la chose vendue au sens de l'article 1641 du Code civil ; dans cette hypothèse, il peut choisir entre la résolution de la vente ou une réduction du prix de vente conformément à l'article 1644 du Code civil.

Article L. 217-4 du Code de la consommation :

« Le vendeur livre un bien conforme au contrat et répond des défauts de conformité existant lors de la délivrance. Il répond également des défauts de conformité résultant de l'emballage, des instructions de montage ou de l'installation lorsque celle-ci a été mise à sa charge par le contrat ou a été réalisée sous sa responsabilité. »

Article L. 217-5 du Code de la consommation :

« Le bien est conforme au contrat : 1° S'il est propre à l'usage habituellement attendu d'un bien semblable et, le cas échéant :

- s'il correspond à la description donnée par le vendeur et possède les qualités que celui-ci a présentées à l'acheteur sous forme d'échantillon ou de modèle ;
- s'il présente les qualités qu'un acheteur peut légitimement attendre eu égard aux déclarations publiques faites par le vendeur, par le producteur ou par son représentant, notamment dans la publicité ou l'étiquetage;

2° Ou s'il présente les caractéristiques définies d'un commun accord par les parties ou est propre à tout usage spécial recherché par l'acheteur, porté à la connaissance du vendeur et que ce dernier a accepté. »

Article L 217-12 du Code de la consommation :

« L'action résultant du défaut de conformité se prescrit par deux ans à compter de la délivrance du bien. »

Article L 217-16 du Code de la consommation :

« Lorsque l'acheteur demande au vendeur, pendant le cours de la garantie commerciale qui lui a été consentie lors de l'acquisition ou de la réparation d'un bien meuble, une remise en état couverte par la garantie, toute période d'immobilisation d'au moins sept jours vient s'ajouter à la durée de la garantie qui restait à courir. Cette période court à compter de la demande d'intervention de l'acheteur ou de la mise à disposition pour réparation du bien en cause, si cette mise à disposition est postérieure à la demande d'intervention. »

Article 1641 du Code de la consommation :

« Le vendeur est tenu de la garantie à raison des défauts cachés de la chose vendue qui la rendent impropre à l'usage auquel on la destine, ou qui diminuent tellement cet usage que l'acheteur ne l'aurait pas acquise, ou n'en aurait donné qu'un moindre prix, s'il les avait connus. »

Article 1648, al.1er du Code civil :

« L'action résultant des vices rédhibitoires doit être intentée par l'acquéreur dans un délai de deux ans à compter de la découverte du vice. »

the Super Q™



NL SNEELSTARTGIDS

Sage®



Inhoud

- 2 Sage® stelt veiligheid voorop
- 7 Onderdelen
- 8 Functies
- 10 Tips
- 11 Blendertabel
- 13 Problemen oplossen
- 14 Onderhoud en reiniging
- 15 Garantie

SAGE® STELT VEILIGHEID VOOROP

Bij Sage® gaan we zeer veiligheidsbewust te werk. Bij het ontwerpen en produceren van onze consumentenproducten staat de veiligheid van onze gewaardeerde klanten voorop. Daarnaast vragen wij u voorzichtig om te gaan met elektrische apparaten en de volgende voorzorgsmaatregelen in acht te nemen.

BELANGRIJKE VEILIGHEIDSMATREGELEN

LEES ALLE INSTRUCTIES VÓÓR GEBRUIK EN BEWAAR DEZE VOOR TOEKOMSTIGE RAADPLEGING

- Een downloadbare versie van dit document is ook beschikbaar op sageappliances.com
- Controleer voor het eerste gebruik of uw elektriciteitsvoorziening dezelfde is als die op het label aan de onderkant van het apparaat.
- Verwijder voor het eerste gebruik het verpakkingsmateriaal en gooi het op een veilige manier weg.
- Gooi het beschermkapje op de stekker op een veilige manier weg om verstikkingsgevaar bij jonge kinderen te voorkomen.
- Dit apparaat is alleen voor huishoudelijk gebruik. Gebruik het apparaat enkel voor het beoogde gebruik. Gebruik het niet in bewegende voertuigen of boten. Gebruik het niet buitenshuis. Verkeerd gebruik kan tot letsel leiden.
- Wikkel het netsnoer volledig af voordat u het apparaat gebruikt.
- Plaats het apparaat op een stabiele, hittebestendige, vlakke, droge ondergrond, weg van de rand, en gebruik het niet op of in de buurt van een warmtebron zoals een kookplaat, oven of gasfornuis.
- Door trillingen tijdens het gebruik kan het apparaat worden verplaatst.
- Zorg dat het netsnoer niet over de rand van een aanrecht of tafel hangt, in aanraking komt met hete oppervlakken of in de war raakt.

- Zorg er altijd voor dat het apparaat UIT staat, de stekker uit het stopcontact is gehaald en het apparaat is afgekoeld voordat u het schoonmaakt, probeert te verplaatsen of opbergt.
- Zet het apparaat altijd UIT en haal de stekker uit het stopcontact wanneer het apparaat niet in gebruik is.
- Gebruik het apparaat niet als het netsnoer, de stekker of het apparaat op enigerlei wijze beschadigd is. Neem contact op met de klantenservice van Sage of ga naar sageappliances.com als er sprake is van schade en ander onderhoud dan reiniging is vereist.
- Onderhoud anders dan reiniging moet worden uitgevoerd door een geautoriseerd Sage®-servicecentrum.
- Kinderen mogen niet met het apparaat spelen.
- Reiniging van het apparaat mag niet door kinderen worden uitgevoerd, tenzij ze ten minste 8 jaar oud zijn en onder toezicht staan.
- Het apparaat en het snoer moeten buiten het bereik van kinderen jonger dan 8 jaar worden gehouden.
- Het wordt aanbevolen een aardlekschakelaar te installeren voor extra veiligheid bij het gebruik van alle elektrische apparaten. Veiligheidsschakelaars met een nominale bedrijfsstroom van niet meer dan 30 mA worden aanbevolen. Raadpleeg een elektricien voor professioneel advies.
- Controleer vóór gebruik altijd of het apparaat op de juiste manier in elkaar is gezet. Als u een apparaat gebruikt dat niet juist in elkaar is gezet, kan dit leiden tot productstoringen, productschade of veiligheidsrisico's, waaronder lichamelijk letsel.
- Gebruik het apparaat niet op het afdruipegedeelte van een gootsteen.
- Houd handen, vingers, haar, kleding, maar ook spatels en ander keukengerei uit de buurt van bewegende of draaiende onderdelen tijdens gebruik.
- Gebruik het apparaat enkel voor het bereiden van eten en/of drinken.
- Sluit geen extern schakelapparaat aan (zoals een timer) en sluit het apparaat niet aan op een circuit dat het apparaat regelmatig aan en uit kan zetten om te voorkomen dat het apparaat vanzelf wordt aangezet als gevolg van het onbedoeld resetten van de overbelastingsbeveiliging.

- Lees alle instructies vóór gebruik en bewaar deze voor toekomstige raadpleging.
- Het apparaat kan worden gebruikt door personen met beperkte fysieke of mentale capaciteiten of een gebrek aan ervaring en kennis, alleen als zij worden begeleid of instructies hebben gekregen over het veilige gebruik van het apparaat en als zij de gevaren ervan begrijpen.
- Dit apparaat mag niet door kinderen worden gebruikt.
- Laat het apparaat niet onbeheerd achter tijdens gebruik.
- Laat de motor tussen elk gebruik 1 minuut rusten.
- Wees voorzichtig bij het hanteren en reinigen van messen. Deze zijn zeer scherp. Verkeerd gebruik van de messen kan tot letsel leiden.
- Plaats de kan of beker niet op de motorbasis terwijl de motor nog draait.
- Gebruik het apparaat niet zonder ingrediënten in de kan of beker.
- Gebruik het apparaat nooit met beschadigde messen of met keukengerei of vreemde voorwerpen in de kan of beker.
- Onderwerp de kan of beker niet aan extreem hoge of lage temperaturen, bijvoorbeeld door een koude kan in heet water of andersom te dompelen.
- Het deksel van de blenderkan moet voor gebruik stevig worden aangebracht om te zorgen dat de inhoud niet kan ontsnappen, wegsputten of overlopen.
- Verwijder de kan niet van de motorbasis terwijl de blender in gebruik is.
- Gebruik alleen de blenderkan en het deksel, de bekercups, messen en accessoires die bij deze blender worden geleverd. Het gebruik van hulpstukken of accessoires die niet door Sage zijn geproduceerd of gespecificeerd, kan risico op brand, elektrische schokken of letsel met zich meebrengen.
- Gebruik de blender niet terwijl **OVERLOAD PROTECTION** (overbelastingsbeveiliging) op het lcd-scherm knippert. In dit geval haalt u de stekker uit het stopcontact en wacht u 30 minuten tot de motor is afgekoeld. Nadat de blender is afgekoeld, kunt u deze weer als normaal gebruiken.
- Wees voorzichtig als u hete vloeistoffen in de blender giet. Deze kunnen opspatten door het ontstaan van stoom.
- Let er bij het mixen van hete vloeistoffen op dat de maatbekerdop op zijn plaats zit. Deze dop beschermt u tegen

- hete vloeistoffen die tijdens het mixen opspatten en heeft ventilatieopeningen bedoeld om de druk te verminderen en ophoping van stoom te voorkomen.
- Wees voorzichtig wanneer u het deksel verwijdert na het mixen van hete vloeistoffen. Stoom die werd vastgehouden, kan plotseling uit de blenderkan vrijkomen wanneer het deksel wordt verwijderd.
 - Houd u dus strikt aan de kleinere capaciteit voor het mixen van hete ingrediënten. Als u deze instructie niet volgt, kan dit leiden tot persoonlijk letsel zoals brandwonden door hete vloeistof.
 - Mix nooit hete ingrediënten of vloeistoffen met behulp van de functie voor vacuümmengen (vacuümmengen is een optionele functie waarvoor gebruik wordt gemaakt van de Sage-vacuümpomp, apart verkrijgbaar).
 - Gebruik nooit hulpstukken of accessoires die niet bij dit product zijn geleverd of die niet door Sage zijn goedgekeurd voor gebruik met dit product. Als u deze instructie niet volgt, kan dit leiden tot productstoringen, productschade of veiligheidsrisico's.

- Voor optionele accessoires die door Sage zijn goedgekeurd voor gebruik met dit product, leest u alle instructies die met het accessoire zijn meegeleverd samen met de instructies in dit boekje.

KENNISGEVING AAN KLANTEN OVER GEHEUGENOPSLAG

Uw apparaat beschikt over interne geheugenopslag zodat we onze klanten beter van dienst kunnen zijn. Deze geheugenopslag bestaat uit een kleine chip waarmee informatie over uw apparaat wordt verzameld, waaronder de frequentie waarmee en de manier waarop uw apparaat wordt gebruikt. Als uw apparaat voor onderhoud wordt geretourneerd, kunnen we uw apparaat op basis van de informatie op de chip snel en efficiënt herstellen. Bovendien is deze informatie waardevol in de ontwikkeling van nieuwe apparaten om beter tegemoet te komen aan de behoeften van onze klanten. Er wordt geen informatie verzameld over de personen die het product gebruiken of het huishouden waarin het product wordt gebruikt. Neem voor vragen over de geheugenchip contact met ons op via privacy@sageappliances.com.

HOUD BIJ GEBRUIK VAN DE INDIVIDUELE BLENDERBEKER REKENING MET HET VOLGENDE:

Wanneer een individuele blenderbeker onder druk wordt geopend, kunnen ingrediënten opspatten. Dit kan ook tot brandwonden leiden als de inhoud heet is. Volg de onderstaande instructies om dit risico te minimaliseren:

- Mix nooit hete of warme ingrediënten. Stop het mengproces als de inhoud door het mixen heet wordt. Mix ingrediënten nooit langer dan 1 minuut. Als u langer dan 1 minuut mixt, kunnen de ingrediënten heet worden en kan stoom de beker onder druk zetten.
 - Probeer nooit het mes los te draaien van de onderkant van de beker wanneer deze onder druk staat als gevolg van een opeenhoping van stoom. Laat de beker tot kamertemperatuur afkoelen en draai het mes daarna voorzichtig los.
 - Mix nooit koolzuurhoudende vloeistoffen, afwasmiddelen of ingrediënten die kunnen uitzetten of een gas kunnen vormen.
- Vul de beker nooit verder dan de aangegeven maximale capaciteit van de beker.
 - Als de beker tijdens het mixen begint te lekken, stop dan onmiddellijk en haal de stekker uit het stopcontact. Kijk of de individuele blenderbeker tot boven het maximumniveau is gevuld en of de afdichting of de beker beschadigd is. Veeg de gelekte vloeistof op met een droge handdoek en schroef de beker stevig vast op het mengmechanisme voordat u doorgaat met mixen.



Het weergegeven symbool geeft aan dat dit apparaat niet met het normale huishoudelijke afval mag worden weggegooid. Het moet naar een geschikt plaatselijk afvalverwerkingscentrum worden gebracht of naar een provider die deze service biedt. Neem voor meer informatie contact op met uw gemeente.

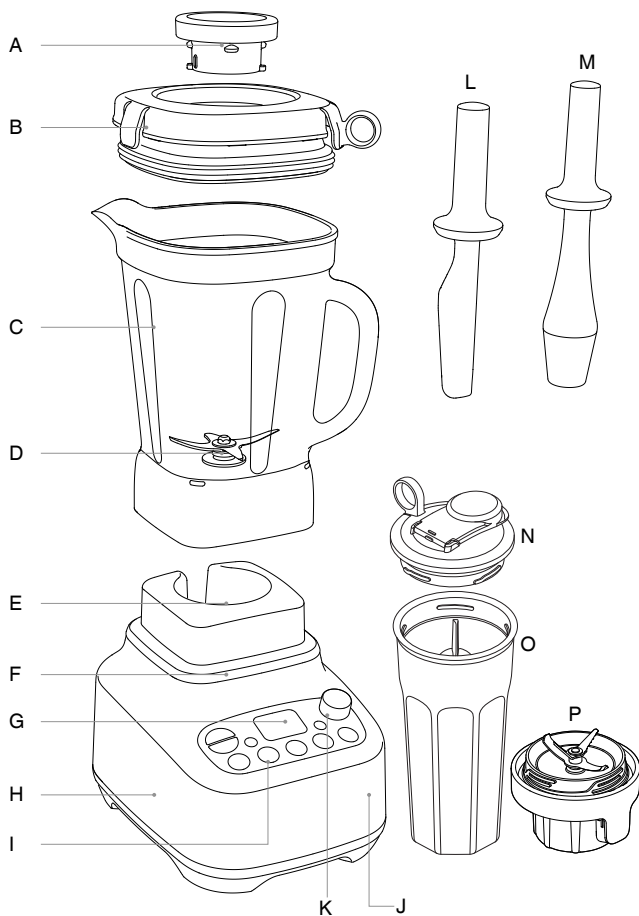


Dompel de stekker, het snoer of het apparaat niet onder in water of een andere vloeistof om elektrische schokken te voorkomen.

BEWAAR DEZE INSTRUCTIES



Onderdelen



- A. Maatbeker dop
- B. Hoogwaardig deksel
- C. BPA-vrije kan van 2 liter
- D. Extra breed, robuust messen- en komsysteem
- E. Robuuste metalen koppeling
- F. Krachtige motor van 2400 W
- G. Lcd-indicator met timer
- H. Duurzame basis
- I. 5 vooraf ingestelde programma's

- J. Overbelastingsbeveiliging
- K. Draaiknop voor handmatige snelheidsregeling

ACCESSOIRES

- L. Schraper
- M. Tamper
- N. Reisdeksel
- O. BPA-vrije individuele blenderbeker
- P. Messensysteem voor individuele blenderbeker



Classificatiegegevens
220-240 V ~ 50-60 Hz 2400 W



Functies

VOÓR HET EERSTE GEBRUIK

Voordat u uw Sage®-blender voor het eerst gebruikt, verwijdert u het verpakkingsmateriaal en de promotielabels.

Was het deksel, het binnendecksel en de blenderkan in warm zeepsop met een zachte doek (zie Onderhoud en reiniging). Spoel en droog alles goed af. Was de onderdelen niet af in de vaatwasser (met uitzondering van de blenderkan).

Raadpleeg de sectie Onderhoud en reiniging voor meer informatie. De motorbasis kan worden afgeveegd met een vochtige doek. Droog deze grondig af.

AAN DE SLAG

READY-modus

Druk op de knop ON | OFF om het apparaat aan te zetten. Het is nu klaar voor gebruik.

Slaapstand

Na 2 minuten inactiviteit gaat het lcd-scherm uit en knippert de knop ON | OFF rood.

Na 5 minuten inactiviteit gaat de blender UIT. Druk op de knop ON | OFF om de blender weer aan te zetten.

KAN EN BEKER

Deze eenheid wordt geleverd met een kan en een beker. De blenderbasis detecteert automatisch of de kan of beker is geplaatst, en past de mengtijd aan in vooraf ingestelde programma's voor optimale resultaten.

Kan van 2 liter

De kan wordt aanbevolen voor grote volumes tot 2 liter en kan worden gebruikt met alle vooraf ingestelde programma's.

Individuele blenderbeker en messensysteem

In de individuele blenderbeker kunt u kleinere volumes tot 700 ml mixen. Het reisdeksel transformeert de beker in een meeneembeker, ideaal voor gemixte drankjes.

Vooraf ingestelde programma's van PULSE | ICE CRUSH, SMOOTHIE en GREEN SMOOTHIE zijn actief. De programma's FROZEN DESSERT (bevroren dessert) en SOUP (soep) zijn niet geschikt voor gebruik met de individuele blenderbeker en deze programma's zijn uitgeschakeld.

PAUSE (pauzeren) / CANCEL (annuleren)

Voor handmatig mixen:

Als u de eerste keer op de knop drukt, wordt de geselecteerde snelheid gepauzeerd. Als u een tweede keer drukt, wordt de geselecteerde snelheid geannuleerd. Draai aan de knop om weer te beginnen mixen.

Voor mengen met programma's:

Als u de eerste keer op de knop drukt, wordt het geselecteerde programma gepauzeerd. Als u een tweede keer drukt, wordt het geselecteerde programma geannuleerd. Druk op de knop PROGRAM om het programma te hervatten.



HANDMATIGE BEDIENING

DRAAIKNOP VOOR SNELHEIDSREGELING

Draai de knop voor snelheidsregeling met de klok mee om een van de 12 snelheidsinstellingen te selecteren, van een langzame STIR (roeren) tot een zeer snelle MILL (vermalen).

Om het mengen te stoppen, draait u de knop tegen de klok in terug naar READY (gereed).

De blender is zo geprogrammeerd dat handmatige snelheden in totaal 6 minuten (kan van 2,0 liter) of 30 seconden (individuele blenderbeker) kunnen worden gehandhaafd voordat de blender automatisch stopt.



WAARSCHUWING

Mix nooit kokend hete vloeistoffen. Laat ingrediënten tot kamertemperatuur afkoelen voordat u ze in de blenderkan doet.

VOORAF INGESTELDE PROGRAMMA'S

PULSE | ICE CRUSH

Een programma van continu pulseren bedoeld om ingrediënten met een gelijkmatige consistentie fijn te hakken of ijsblokjes te vermalen.

SMOOTHIE

Voor smoothies op basis van zuivel. Een combinatie van snelheden en pulseerstanden bedoeld om ingrediënten te vermengen en beluchten tot een zachte en romige textuur.

GROENE SMOOTHIE

Voor het mixen van hele vruchten/groenten tot een zacht drankje. Een combinatie van hoge snelheidsprofielen breekt taai vezels af tot zeer fijne deeltjes. Gebruik de tamper als de ingrediënten vast komen te zitten.

BEVROREN DESSERT

Een programma met hoge snelheid om bevroren fruit/groenten tot een schepklaar dessert te maken. Gebruik de tamper voor het beste resultaat.

SOEP

Dit programma is uitsluitend bedoeld voor het maken van een koude-naar-hete soep, waarbij hele ingrediënten op kamertemperatuur worden vermengd tot een zachte, hete soep. Dit is in de eerste plaats een programma met hoge snelheid. Aan het einde wordt de soep echter langzaam doorgeroerd om stobbellen te verwijderen.



OPMERKING

Rauwe ingrediënten zoals vlees en vis moeten worden bereid voordat u het soepprogramma gebruikt.



WAARSCHUWING

Voeg geen hete ingrediënten toe wanneer u het soepprogramma gebruikt.

REINIGEN

Gebruik de functie voor automatisch reinigen om de meeste etensresten van de zijkant van de kan en de messen te verwijderen. Voeg 1 liter warm zeepsop toe en druk op de knop AUTO CLEAN. Voor moeilijk te reinigen, kleverige of dikke etensresten voegt u een halve theelepel vloeibaar afwasmiddel toe voor extra reinigingskracht. Maak de blenderkan onmiddellijk na gebruik schoon op de beschreven manier voor het beste resultaat.



Tips

- De maatbekerdoop kan worden verwijderd zodat tijdens het mixen olie, vloeistoffen of ingrediënten kunnen worden toegevoegd. Wees uiterst voorzichtig. Afhankelijk van het mengsel en de mengsnelheid kunnen ingrediënten uit het deksel opspatten. Verwijder de maatbekerdoop niet wanneer hete vloeistoffen worden gemixt.
- Overschrijd de maximumhoeveelheid niet wanneer u voedsel en vloeistoffen in de blender doet.
- Gebruik de knop PULS | ICE CRUSH wanneer het voedsel te dik of grof is om in de blenderkan rond te bewegen.
- De schraper en tamper kunnen tijdens het mixen worden gebruikt door de maatbekerdoop te verwijderen. Zorg er altijd voor dat het grote deksel stevig op zijn plaats blijft zitten.
- Etensoverblijfselen kunnen aan de zijkanten van de blenderkan blijven plakken. Houd het grote deksel op de kan (maatbekerdoop verwijderd) en gebruik de meegeleverde tamper of schraper om de zijkanten van de kan schoon te vegen en de ingrediënten weer op de messen te duwen. Ga daarna door met mixen.
- Als tijdens het mixen vloeistof op de motorbasis terecht komt, zet u de blender uit en haalt u de stekker uit het stopcontact. Verwijder de blenderkan en veeg de motorbasis onmiddellijk af met een droge doek of keukenrol.
- De optimale hoeveelheid ijsblokjes die in de blenderkan kan worden vermaald, is 250 gram (ongeveer 1 standaard ijsblokjevorm).
- Wanneer de blender 6 minuten (in handmatige modus met blenderkan) of 30 seconden (met individuele blenderbeker) aan heeft gestaan, wordt deze automatisch uitgeschakeld. Dit is een veiligheidsfunctie om de motor te beschermen.
- Dikkere mengsels pureren gemakkelijker met de kan een kwart of half vol.
- Gebruik geen metalen keukengerei. Dit kan de messen of blenderkan beschadigen.
- Om voedsel te verwijderen dat niet gemakkelijk van onder de messen kan worden geschrapt, plaatst u het deksel terug op de kan en laat u de blender 4 of 5 seconden op hoge snelheid draaien om etensoverblijfselen onder de messen uit te krijgen.



Blendertabel (voor kan)

ETEN	VOORBEREIDING & GEBRUIK	HOEVEELHEID	FUNCTIES	DUUR
Granen en zaden	Vermaal deze tot meel. Gebruik het in brood, pizzadeeg, cakes, muffins en beslag.	250 g - 420 g 1-2 kopjes	Snelheid MILL (vermalen)	20 – 30 seconden
Gedroogde peulvruchten en maïs, bijv. sojabonen, kikkererwten en popcornmaïs	Vermaal deze tot meel. Gebruik het in combinatie met gewone of zelfrijzende bloem voor brood, cakes, muffins en pannenkoeken.	250 g - 420 g 1-2 kopjes	Snelheid MILL (vermalen)	20 – 30 seconden
Specerijen	Voor fijngemalen specerijen. Gebruik hele specerijen, behalve kaneelstokjes, deze moeten eerst door midden worden gebroken. Bewaar ze in luchtdichte containers.	Minimaal ¼ kopje 8 – 16 kaneelstokjes	Snelheid MILL (vermalen)	20 – 30 seconden
Rauwe noten	Om notenmeel te maken. Gebruik het in taarten, koekjes en muffins.	100 g - 400 g ½-2 kopjes	Snelheid MILL (vermalen)	8 – 15 seconden
Geroosterde noten	Om notenboter en -pasta te maken.	100 g - 400 g ½-2 kopjes	Snelheid BLEND (mengen), gebruik de tamper	20-30 seconden
Witte suiker	Vermaal de suiker voor fijne poedersuiker of bloemsuiker.	100 g - 200 g 1-2 kopjes	Snelheid MILL (vermalen)	15 – 30 seconden
Biscuitjes/koekjes	Breek de biscuitjes/koekjes doormidden. Mix ze om kruimels te vormen. Gebruik ze voor een cheesecakebodern.	250 g	PULSE ICE CRUSH	20 – 30 seconden
Broodkruimels	Snijd de korstjes van het brood af. Snijd het brood in blokjes van 2,5 cm. Gebruik het in paneermeel, vullingen of in gehaktballen en vleespasteitjes.	120 g – 400 g (tot 5 sneetjes)	Snelheid MIX (mixen)	20 – 30 seconden
Mayonaise	Mix de eidooier, mosterd en azijn of het citroensap. Voeg langzaam olie toe via het deksel. Gebruik voor dressing.	Maximaal 4 eidooiers en 2 kopjes olie.	Snelheid MIX (mixen)	1 min 30 seconden
Harde kazen (zoals parmezaanse kaas en pecorino)	Snijd de kaas in blokjes van 3 cm. Gebruik deze in romige sauzen en pastagerechten.	Maximaal 250 g	Snelheid CHOP (hakken)	15 – 25 seconden
Room	Klop de room op tot stevige pieken. Voeg desgewenst suiker of vanille toe vóór het mixen.	300 – 600 ml	Snelheid CHOP (hakken)	25 – 60 seconden
Rauwe groenten	Schil en snijd deze in blokjes van 2 cm. Fijngehakt. Gebruik dit voor vullingen, bolognesesaus, stoofpotjes en ovenschotels.	200 g	Snelheid CHOP (hakken)	4 – 6 seconden



ETEN	VOORBEREIDING & GEBRUIK	HOEEVEELHEID	FUNCTIES	DUUR
Kokos mengsel	Gesneden Kokosnoten Maat: niet meer dan 25 mm Gebruik: drankjes	600 + water 1300	Snelheid MILL (vermalen)	10 seconden
Gemengde soepen	Koel tot kamertemperatuur	700 ml	Snelheid Soep	30 seconds



ETEN	VOORBEREIDING & GEBRUIK	HOEEVEELHEID	FUNCTIES	DUUR
Smoothie drankje	Melk, Gehakt vers fruit, Yoghurt, Softijs	Maximaa	SMOOTHIE	30 seconds

Droog malen

Houd er rekening mee dat het vermalen van harde ingrediënten zoals specerijen, noten, suiker, koffie, granen, enz. kan leiden tot krassen en vertroebeling aan de binnenkant van de kan. Dit is een cosmetisch gevolg van het vermalen van dit soort ingrediënten en heeft geen invloed op de prestaties van de kan.

Specerijen niet te fijn vermalen. Wanneer essentiële oliën in specerijen warm worden, kunnen ze het oppervlak van de kan beschadigen.

Deze blendertabel dient alleen als richtlijn te worden gebruikt.



Problemen oplossen

PROBLEEM	EENVOUDIGE OPLOSSING
Motor start niet of het mes draait niet	<ul style="list-style-type: none"> Controleer of de blenderkan en het deksel stevig op hun plaats zitten. Controleer of de stekker goed in het stopcontact zit. Kijk of de lampjes van de knop ON OFF en de geselecteerde functie branden.
Ingrediënten zijn ongelijkmatig gehakt	<ul style="list-style-type: none"> Gebruik de tamper bij het mixen om te zorgen dat de ingrediënten rond kunnen bewegen. Verlaag de snelheid zodat de messen meer kans hebben om het voedsel op te pakken Dit kan gebeuren wanneer er te veel ingrediënten tegelijk worden gemengd. Mix een kleinere hoeveelheid en mix de ingrediënten indien nodig in gedeeltes. De ingrediënten zijn mogelijk te groot. Snijd ze in kleinere stukken. Snijd ingrediënten in stukken van maximaal 2 cm voor het beste resultaat.
Voedsel wordt te fijn gehakt of is waterig	<ul style="list-style-type: none"> Verkort de mixduur of verlaag de snelheid. Gebruik de functie ICE CRUSH PULS voor betere controle.
Voedsel plakt aan het mes en de kan	<ul style="list-style-type: none"> Het mengsel is mogelijk te dik. Voeg meer vloeistof toe en/of mix op een lagere snelheid
Voedsel zit vast onder de messen	<ul style="list-style-type: none"> Om voedsel te verwijderen dat niet gemakkelijk van onder de messen kan worden geschrapt, plaatst u het deksel terug op de kan en laat u de blender 4 of 5 seconden op hoge snelheid draaien om etensresten onder de messen uit te krijgen.
Blender overbelast	<ul style="list-style-type: none"> Deze blender heeft een beveiligingsfunctie voor de motor om deze te beschermen tegen oververhitting en/of overstroom. Wanneer de functie wordt geactiveerd, knippert OVERLOAD PROTECTION (overbelastingsbeveiliging) op het lcd-scherm en kunt u de blender niet meer gebruiken. Zet de blender uit door de knop ON OFF op het bedieningspaneel in te drukken en haal de stekker uit het stopcontact. Wacht enkele minuten, steek de stekker weer in het stopcontact en zet de blender AAN. Als OVERLOAD PROTECTION nog steeds knippert, doet u het bovenstaande opnieuw en laat u de blender minstens 20 – 30 minuten afkoelen. Zodra OVERLOAD PROTECTION van het scherm is verdwenen, kunt u de blender weer gebruiken. We raden u aan kleinere hoeveelheden te gebruiken of de ingrediënten in kleinere stukken te snijden.



Onderhoud en reiniging

Kan/beker en deksels

Volg de onderstaande stappen zo snel mogelijk na gebruik om te voorkomen dat etensresten op de messen, kan/beker en het deksel aankoeken:

- Spoel de kan/beker en deksels zoveel mogelijk schoon.

Kan van 2 liter

- Voeg 1 liter warm water en 1 – 2 druppels afwasmiddel toe en druk op de knop CLEAN (reiningen).
- Spoel de kan en het deksel opnieuw af en/of maak ze apart schoon in warm zeepsop met een zachte doek of flessenborstel.

Accessoires voor individuele blenderbeker

- Alle accessoires voor de individuele blenderbeker kunnen in de bovenste lade van de vaatwasser worden gereinigd.
- Om etensresten van de messen en beker te verwijderen, vult u de individuele blenderbeker met 250 ml koud water en drukt u op CLEAN.
- Spoel de beker daarna af met warm water.
- Als deze dan nog niet schoon is, wast u de beker met de hand in warm zeepsop met een zacht vloeibaar afwasmiddel en een zachte spons.



WAARSCHUWING

De blenderbeker kan onder druk komen te staan door heet water en/of afwasmiddel. Voeg nooit heet of zelfs warm water toe wanneer u de individuele blenderbeker met de cyclus CLEAN spoelt, omdat de geproduceerde stoom gevaarlijke druk kan veroorzaken. Voeg ook geen afwasmiddel toe, omdat het schuim zal uitzetten en druk kan veroorzaken.



WAARSCHUWING

Citrusolie kan het materiaal van uw blenderkan en individuele blenderbeker beschadigen wanneer de kan of beker hier langere tijd aan wordt blootgesteld. Was uw blenderkan en individuele blenderbeker altijd onmiddellijk af nadat u citrusschillen heeft gebruikt.

Motorbasis

Veeg de motorbasis schoon met een zachte, vochtige doek en droog de basis grondig af om deze te reinigen. Veeg eventuele etensresten van het netsnoer.

Reinigingsmiddelen

Gebruik geen schuurmiddelen of schuurmiddelen op de motorbasis of kan, omdat deze krassen op het oppervlak kunnen veroorzaken. Gebruik alleen warm zeepsop met een zachte doek.

Vaatwasser

De blenderkan, de individuele blenderbeker, het messensysteem van de individuele blenderbeker, de tamper, de schraper en alle deksels kunnen in de vaatwasser worden afgewassen op een standaardcyclus. De kan mag in de onderste lade worden geplaatst, maar de individuele blenderbeker en deksels mogen alleen in de bovenste lade worden geplaatst.

Hardnekkige voedselvlekken en geuren

Sterk ruikende ingrediënten zoals knoflook, vis en sommige groenten zoals wortels kunnen een geur of vlekken achterlaten.

Kan van 2 liter

Maak de kan en het deksel schoon volgens de reinigingsinstructies om vlekken en geuren te verwijderen. Doe 2 eetlepels zuiveringszout en een half kopje azijn in de kan en laat het mengsel 1 minuut schuimen. Schrob de kan en het deksel met het mengsel met behulp van een zachte afwasborstel. Voeg 2 kopjes warm water toe en laat alles 5 minuten staan. Zet de kan op de blenderbasis. Plaats het deksel stevig op de kan en druk vervolgens op de knop CLEAN. Spoel de kan grondig af en laat deze aan de lucht drogen. Berg de kan op zonder het deksel erop zodat lucht kan circuleren.

Individuele blenderbeker

Vul de beker met warm zeepsop tot het MAX-streepje om vlekken en geuren te verwijderen. Laat deze 5 minuten weken. Was ze dan af met een zacht afwasmiddel en warm water. Vervolgens goed afspoelen en afdrogen. Gebruik de functie CLEAN niet om hardnekkige vlekken en geuren van uw individuele blenderbeker te verwijderen.

Droog malen

Het vermalen van harde ingrediënten zoals specerijen, noten, suiker, koffie, granen, enz. leiden tot krassen en vertroebeling van de binnenkant van de kan.

Sommige specerijen en kruiden geven aromatische oliën vrij. Deze kunnen de kan verkleuren of een geur achterlaten. Dit is een cosmetisch gevolg van het vermalen van dit soort ingrediënten en heeft geen invloed op de prestaties van de kan.

Opslag

Berg uw blender rechtop op met de blenderkan op of naast de motorbasis. Bewaar de individuele blenderbeker met het messensysteem gemonteerd. Plaats er niets bovenop. Laat het deksel eraf zodat lucht kan circuleren.



Garantie

BEPERKTE GARANTIE VAN 10 JAAR

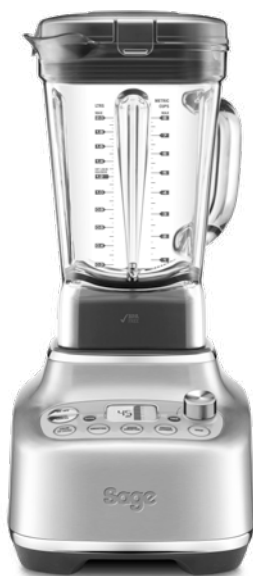
Sage Appliances biedt een garantie op dit product voor huishoudelijk gebruik in genoemde gebieden gedurende 10 jaar vanaf de datum van aankoop tegen defecten veroorzaakt door gebrekkige afwerking en materialen. Gedurende deze garantieperiode zal Sage Appliances defecte producten repareren, vervangen of terugbetalen (naar eigen goeddunken van Sage Appliances).

Alle wettelijke garantierechten onder de toepasselijke nationale wetgeving worden gerespecteerd en onze garantie doet geen afbreuk aan deze rechten. Voor de algemene voorwaarden van de garantie, evenals instructies over hoe u aanspraak maakt op de garantie, gaat u naar www.sageappliances.com.



Opmerking

the Super Q™



IT GUIDA RAPIDA

Sage®



Sommario

- 2 Sage® consiglia: prima di tutto la sicurezza
- 7 Componenti
- 8 Funzioni
- 11 Tabella di miscelazione
- 13 Risoluzione dei problemi
- 14 Manutenzione e pulizia
- 15 Garanzia

SAGE® CONSIGLIA: PRIMA DI TUTTO LA SICUREZZA

In Sage® abbiamo molto a cuore la sicurezza. Creiamo e commercializziamo prodotti di consumo tenendo sempre presente la sicurezza dei nostri clienti. Inoltre ti chiediamo di esercitare sempre un certo grado di attenzione quando utilizzi apparecchi elettrici e di osservare le seguenti precauzioni.

NORME DI SICUREZZA IMPORTANTI

LEGGI TUTTE QUESTE ISTRUZIONI PRIMA DELL'USO E SALVALE PER CONSULTARLE IN FUTURO

- Una versione scaricabile di questo documento è disponibile anche nel sito Web.sageappliances.com
- Prima di usare l'apparecchio per la prima volta, verifica che la tensione della rete corrisponda a quella indicata sull'etichetta sotto il dispositivo.
- Rimuovi e smaltisci in modo sicuro tutti i materiali di imballaggio prima del primo utilizzo.
- Per evitare il rischio di soffocamento per i più piccoli, smaltisci in modo sicuro la copertura protettiva della spina.
- Questo apparecchio è destinato solo all'uso domestico. Evita di destinarlo a usi diversi da quello previsto. Evita di utilizzarlo su veicoli in movimento o su barche. Non utilizzarlo all'aperto. L'uso non corretto dell'elettrodomestico può provocare lesioni.
- Svolgi completamente il cavo prima di utilizzare l'elettrodomestico.
- Posiziona l'elettrodomestico su una superficie stabile,

resistente al calore, piana e asciutta, lontano dal bordo della superficie. Utilizzalo lontano da fonti di calore come piastre elettriche, fornelli a gas o forni.

- Le vibrazioni durante il funzionamento possono causare lo spostamento dell'elettrodomestico.
- Evita che il cavo di alimentazione penzoli oltre il bordo di un tavolo o un banco, tocchi superfici calde o formi nodi.
- Prima di pulire, spostare o riporre l'elettrodomestico assicurati sempre che sia spento, scollegato dalla rete e che si sia raffreddato a sufficienza.
- Quando l'elettrodomestico non è in uso, sposta sempre l'interruttore in posizione OFF e spegni l'interruttore della presa o scollega il cavo dalla presa.
- Non utilizzare l'elettrodomestico se il cavo di alimentazione, la presa o l'elettrodomestico stesso subiscono qualsiasi tipo di danneggiamento. Se l'elettrodomestico è danneggiato o richiede una manutenzione diversa dalla pulizia, rivolgiti al Servizio clienti Sage o visita il sito Web.sageappliances.com
- Qualsiasi operazione di manutenzione diversa dalla pulizia deve essere eseguita da un centro Servizio clienti Sage® autorizzato.
- Non lasciare che i bambini giochino con l'elettrodomestico.
- La pulizia dell'elettrodomestico può essere effettuata da bambini di età non inferiore a 8 anni e con la supervisione di un adulto.
- L'elettrodomestico e il cavo vanno tenuti fuori dalla portata dei bambini di età inferiore agli 8 anni.
- Si consiglia l'installazione di un interruttore di sicurezza tipo salvavita per garantire maggior sicurezza nell'uso di tutti i dispositivi elettrici. Si consiglia l'installazione di un salvavita con corrente di esercizio non superiore a 30 mA. Richiedi un parere professionale a un elettricista.
- Prima dell'uso, verifica sempre che l'elettrodomestico sia assemblato in base alle istruzioni. Se l'elettrodomestico viene utilizzato senza essere stato assemblato correttamente possono verificarsi problemi di funzionamento, danni al prodotto o rischi per la sicurezza, tra cui lesioni personali.
- Evita di usare l'elettrodomestico sul pianale del lavello.
- Durante il funzionamento, non avvicinare alle parti mobili o rotanti le mani, le dita, i capelli, gli indumenti e spatole o altri utensili da cucina.

- Usa l'elettrodomestico solo per la preparazione di cibi o bevande.
- Per evitare il possibile rischio di avvio automatico dell'elettrodomestico in seguito alla reimpostazione imprevista della protezione da sovraccarico, non collegare l'elettrodomestico a un dispositivo di interruzione esterno (ad esempio un timer) ed evita di connetterlo a un circuito che può accendere o spegnere il dispositivo a intervalli regolari.
- Leggi con cura tutte le istruzioni prima dell'uso e conservale per consultarle in futuro.
- L'elettrodomestico può essere utilizzato da persone con disabilità fisiche o mentali o prive di esperienza o conoscenza dell'elettrodomestico stesso, a condizione che tali persone abbiano ricevuto supervisione o istruzioni dettagliate per l'uso dell'elettrodomestico in sicurezza e che comprendano i rischi associati.
- Evita che l'elettrodomestico venga utilizzato dai bambini.
- Non lasciare l'elettrodomestico incustodito mentre sta funzionando.
- Attendi 1 minuto tra usi successivi dell'elettrodomestico.
- Presta attenzione quando pulisci o manipoli le lame, che sono molto affilate. Se non le manipoli correttamente, le lame possono causare lesioni.
- Evita di porre il contenitore o il boccale sopra la base del motore mentre il motore sta ancora girando.
- Evita di far funzionare l'elettrodomestico senza ingredienti nel contenitore o nel boccale.
- Non tentare mai di far funzionare l'elettrodomestico con lame danneggiate o con utensili da cucina o altri corpi estranei all'interno del contenitore o del boccale.
- Evita di sottoporre il contenitore o il boccale a estremi di temperatura, ad esempio evita di immergere un boccale freddo in acqua bollente e viceversa.
- Prima di avviare l'elettrodomestico verifica che il coperchio del boccale sia fissato correttamente, per evitare la fuoriuscita del contenuto.
- Non rimuovere il boccale dalla base motore mentre il frullatore è in uso.
- Utilizza solo il boccale, il coperchio, il gruppo lame e gli accessori forniti con il frullatore. L'utilizzo di estensioni o accessori non prodotti o non specificati da Sage può provocare incendi, scosse elettriche o lesioni.
- Non utilizzare il frullatore quando sullo schermo a cristalli liquidi lampeggia la scritta **PROTEZIONE**

SOVRACCARICO. In questo caso scollega il frullatore dalla rete e attendi 30 minuti, finché il motore non si è raffreddato. Una volta raffreddato, potrai tornare a utilizzare il frullatore come di consueto.

- Presta attenzione quando versi liquidi caldi nel frullatore. Possono verificarsi schizzi derivanti dalla creazione di vapore.
- Per la miscelazione di liquidi caldi, verifica che il tappo misuratore interno sia in posizione. Questo tappo ti protegge dagli schizzi di liquidi caldi durante il funzionamento ed è provvisto di feritoie per ridurre la pressione ed evitare la formazione di vapore.
- Rimuovi il coperchio con cura dopo aver frullato liquidi caldi, in quanto può essersi formato del vapore.
- Osserva con precisione il limite di capacità ridotto per la miscelazione di ingredienti caldi. La mancata osservazione di queste istruzioni può causare lesioni personali come ustioni da liquidi caldi.
- Non miscelare mai ingredienti o liquidi caldi utilizzando la funzionalità di miscelazione sottovuoto (la miscelazione sottovuoto è una funzionalità distinta e ottenuta con l'utilizzo della pompa a vuoto Sage, fornita separatamente).

- Non utilizzare mai estensioni o accessori non forniti con il prodotto o che non sono stati autorizzati da Sage per l'utilizzo con questo prodotto. Se non osservi questa istruzione possono verificarsi problemi di funzionamento, danni al prodotto o rischi per la sicurezza.
- Per gli accessori opzionali autorizzati da Sage per l'utilizzo con questo prodotto, leggi tutte le istruzioni fornite con l'accessorio oltre alle istruzioni contenute nel presente libretto.

AVVISO AI CLIENTI IN MERITO AI DISPOSITIVI DI ARCHIVIAZIONE

Al fine di offrire un servizio migliore ai nostri clienti, nei nostri prodotti è stato inserito un dispositivo di archiviazione interno. Questo dispositivo di archiviazione è costituito da un piccolo chip che raccoglie determinate informazioni sul tuo apparecchio, tra cui la frequenza e il modo in cui lo utilizzi. Se il prodotto necessita di assistenza, le informazioni raccolte dal chip ci permetteranno di ripararlo in modo rapido ed efficiente. Le informazioni raccolte costituiscono inoltre una risorsa preziosa per lo sviluppo di futuri elettrodomestici che ci consentiranno di soddisfare al meglio le esigenze dei nostri consumatori. Il chip non raccoglie

alcuna informazione riguardante le persone che utilizzano il prodotto o il nucleo familiare in cui viene utilizzato. In caso di domande relative al chip del dispositivo di archiviazione, è possibile contattarci all'indirizzo privacy@sageappliances.com.

RACCOMANDAZIONI PER L'USO DELL'ACCESSORIO PERSONAL BLENDER:

L'apertura del contenitore Personal Blender può causare schizzi di ingredienti o ustioni se il contenuto è caldo. Per ridurre al minimo il rischio che ciò accada segui le istruzioni elencate:

Non miscelare mai ingredienti caldi o bollenti. Interrompi il funzionamento se il contenuto diventa bollente a causa della miscelazione. Non frullare mai gli ingredienti per più di 1 minuto. Se li frulli per più di 1 minuto, gli ingredienti possono diventare bollenti e il vapore può creare pressione all'interno del contenitore.

Non tentare mai di svitare la lama dalla base del contenitore quando all'interno dello stesso si è formata pressione a causa della produzione di vapore. Attendi che il contenitore si raffreddi fino a raggiungere la temperatura ambiente, quindi svita con cura la lama.

Non frullare mai liquidi gasati, detersivi o ingredienti che possono espandersi o generare un gas.

Non riempire mai il contenitore oltre la capacità massima indicata.

In caso di perdite di liquido durante il funzionamento, interrompi il processo e scollega l'unità dalla presa di corrente. Verifica che il contenitore Personal Blender non sia stato riempito oltre il livello massimo e che la guarnizione e il contenitore non presentino danni. Pulisci il liquido fuoriuscito con un panno asciutto, quindi avvita a fondo il contenitore al meccanismo del frullatore prima di riprendere il processo.



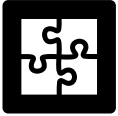
Questo simbolo indica che questo apparecchio non può essere smaltito con i rifiuti domestici comuni.

Deve essere conferito in un centro di smaltimento locale specializzato o presso un rivenditore che fornisce questo servizio. Per ulteriori informazioni, contatta l'ufficio comunale locale.

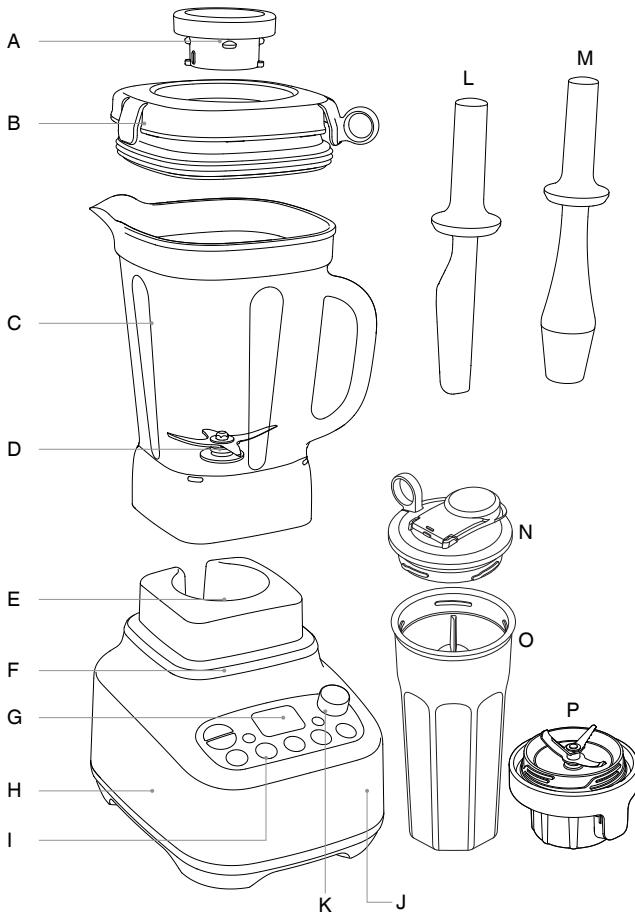


Per la protezione dalle scariche elettriche, evita di immergere la spina, il cavo di alimentazione o l'elettrodomestico in acqua o in qualsiasi altro liquido.

SALVA QUESTE ISTRUZIONI



Componenti



- A. Tappo misuratore interno
- B. Coperchio ad alte prestazioni
- C. Boccale da 2 l in polimero senza BPA
- D. Sistema di lame e tazza ampia e robusta
- E. Raccordo in metallo robusto
- F. Motore robusto da 2400 W
- G. Indicatore LCD con timer
- H. Base resistente

- I. 5 programmi preimpostati
- J. Protezione dal sovraccarico
- K. Regolatore di velocità manuale

ACCESSORI

- L. Raschietto
- M. Pressino
- N. Coperchio per il trasporto
- O. Contenitore Personal Blender senza BPA
- P. Sistema di lame Personal Blender



Informazioni sui valori nominali
220-240 V ~ 50-60 Hz 2400 W



Funzioni

PER IL PRIMO USO

Prima di usare il frullatore Sage® per la prima volta rimuovi i materiali di imballaggio e le etichette promozionali.

Lava il coperchio, il misuratore interno e il boccale del frullatore con acqua saponata tiepida e un panno morbido (vedi "Manutenzione e pulizia"). Sciacqua e asciuga a fondo. Non inserire componenti in lavastoviglie, ad eccezione del boccale del frullatore.

Per informazioni dettagliate consulta la sezione "Manutenzione e pulizia". Per pulire la base del motore strofinala con un panno umido. Asciuga a fondo.

GUIDA INTRODUTTIVA

Modalità Pronto

Premi il pulsante ON | OFF per impostare la modalità PRONTO.

Disattivazione

Dopo 2 minuti di inattività l'indicatore LCD si spegne e il pulsante ON | OFF lampeggia in rosso.

Dopo 5 minuti di inattività il frullatore si spegne. Per riaccenderlo, premi il pulsante ON | OFF.

RECIPIENTI

Questa unità presenta due recipienti di miscelazione. La base del frullatore rileva automaticamente il recipiente e adatta i tempi di miscelazione nei programmi preimpostati, per ottimizzare i risultati.

Boccale da 2 litri

Il boccale è consigliato per volumi consistenti (fino a 2 l) e può essere utilizzato con tutti i programmi preimpostati.

Contenitore e sistema di lame Personal Blender

Il contenitore Personal Blender ti consente di elaborare volumi fino a 700 ml. Il coperchio per il trasporto lo converte in una tazza take away, ideale per le bevande miscelate.

Sono disponibili i programmi preimpostati IMPULSI | GHIACCIO, FRULLATO e FRULLATO SENZA LATTE. I programmi DESSERT GELATO e MINESTRA non sono adatti per l'uso con gli accessori Personal Blender e i programmi preimpostati sono disattivati.

PAUSA/ANNULLA

Per la miscelazione manuale:

La prima pressione sospende la velocità selezionata.

La seconda pressione annulla la velocità selezionata.

Per riprendere la miscelazione, aziona la manopola.

Per la miscelazione con programma:

La prima pressione sospende il programma selezionato.

La seconda pressione annulla il programma selezionato.

Per riprendere il programma premi il pulsante PROGRAMMA.



FUNZIONAMENTO MANUALE

MANOPOLA DI CONTROLLO DELLA VELOCITÀ

Ruota la manopola di controllo della velocità in senso orario per selezionare una delle 12 impostazioni di velocità, dalla più lenta (RIMESCOLA) alla più veloce (MACINA).

Per interrompere l'elaborazione riporta indietro la manopola di controllo velocità sulla posizione PRONTO.

Il frullatore è programmato per consentire l'esercizio con velocità impostate manualmente per un massimo di 6 minuti (boccale da 2 l) o 30 secondi (contenitore Personal Blender) prima dell'arresto automatico.



ATTENZIONE

Non miscelare mai liquidi bollenti. Attendi che gli ingredienti raggiungano la temperatura ambiente prima di inserirli nel boccale del frullatore.

PROGRAMMI PREIMPOSTATI

IMPULSI | GHIACCIO

Programma di funzionamento a impulsi, utile per frullare gli alimenti fino a una consistenza uniforme o per tritare cubetti di ghiaccio.

FRULLATO

Per frullati a base di latte e derivati. Una combinazione di velocità e impulsi favorisce la miscelazione e l'aerazione degli ingredienti, fino a produrre una consistenza cremosa.

FRULLATO SENZA LATTE

Per miscelare frutta/verdura a pezzi fino a ottenere una bevanda dalla consistenza uniforme. Una sequenza con velocità elevate scompone le fibre resistenti in particelle molto fini. Usa il pressino se gli ingredienti rimangono bloccati.

DESSERT GELATO

Programma ad alta velocità per scomporre frutta o verdura congelata in un dessert pronto da servire. Usa il pressino per ottenere i migliori risultati.

MINESTRA

Questo programma prepara una minestra passata calda a partire da ingredienti interi a temperatura ambiente. È un programma ad alta velocità, che termina con una miscelazione lenta per la rimozione delle bolle di vapore.



NOTA

I cibi crudi come carne e pesce vanno cotti a parte prima dell'utilizzo del programma MINESTRA.



ATTENZIONE

Non aggiungere ingredienti caldi quando usi il programma MINESTRA.

PULISCI

Usa questa funzione per rimuovere la maggior parte degli ingredienti dalle pareti e dalle lame del frullatore. Aggiungi circa un litro d'acqua calda con sapone nel boccale del frullatore e premi il pulsante PULISCI. In caso di ingredienti appiccicosi, densi o più difficili da rimuovere, aggiungi mezzo cucchiaino di detergente liquido per piatti per ottenere il massimo potere pulente. Per risultati ottimali, pulisci il boccale del frullatore con queste modalità subito dopo l'uso.



Suggerimenti

- Puoi rimuovere il tappo misuratore interno e aggiungere oli, liquidi o altri ingredienti durante la miscelazione. Presta attenzione perché a seconda della miscela e della velocità di funzionamento, è possibile che fuoriescano spruzzi dal coperchio. Ti sconsigliamo di rimuovere il tappo misuratore interno mentre stai miscelando liquidi caldi.
- Evita di superare l'indicatore di contenuto massimo quando aggiungi alimenti e liquidi nel frullatore.
- Utilizza il pulsante **IMPULSI | GHIACCIO** quando gli alimenti elaborati sono duri o in pezzi troppo grandi e non circolano facilmente nel boccale del frullatore.
- Puoi usare il raschietto e il pressino durante la miscelazione rimuovendo il tappo misuratore interno. Verifica sempre che il tappo principale resti in posizione.
- È possibile che gli ingredienti aderiscano alle pareti del boccale del frullatore. Per spingere gli alimenti verso le lame, con il coperchio principale inserito (e il tappo interno rimosso) utilizza il pressino o il raschietto in dotazione per raschiare le pareti del boccale mentre la miscelazione continua.
- Se durante la miscelazione la base del motore viene raggiunta da liquidi o umidità, spegni il frullatore e scollega la spina dalla presa di corrente. Rimuovi il boccale e pulisci immediatamente la base del motore con un panno asciutto o un tovagliolo di carta.
- La quantità ottimale di cubetti di ghiaccio elaborabile nel boccale del frullatore è pari a 250 g (equivalente a un vassoio da ghiaccio standard).
- Dopo aver funzionato in modalità manuale per 6 minuti con il boccale o per 30 secondi con il contenitore Personal Blender, il frullatore si spegne automaticamente. Questa funzionalità è prevista per la protezione del motore.
- Le miscele più dense si ottengono più facilmente se il boccale è a $\frac{1}{4}$ o a metà capacità.
- Evita di utilizzare strumenti di metallo, che possono danneggiare le lame o il boccale del frullatore.
- Per rimuovere residui di cibo difficili da asportare da sotto le lame, rimetti in posizione il coperchio e fai girare il frullatore ad alta velocità per 4-5 secondi, in modo da estrarre i residui da sotto le lame.



Tabella di miscelazione (per il boccale)

ALIMENTI	PREPARAZIONE E UTILIZZO	QUANTITÀ	FUNZIONI	TEMPO
Grani e semi	Macinare per ottenere una farina. Usare per pane, base per pizza, torte, muffin e pastelle.	250 g - 420 g 1-2 tazze	Velocità MACINA	20-30 secondi
Mais e legumi secchi, ad esempio semi di soia o ceci	Macinare per ottenere una farina. Utilizzare insieme a farina normale o autolievitante per pane, torte, muffin, frittelle.	250 g - 420 g 1-2 tazze	Velocità MACINA	20-30 secondi
Spezie	Ottenere spezie macinate. Usa spezie intere, meno i bastoncini di cannella che vanno spezzati a metà. Conserva in contenitori ermetici.	Minimo ¼ di tazza 8-16 bastoncini di cannella	Velocità MACINA	20-30 secondi
Noci o nocciole non tostate	Ottenere pasta di noci o nocciole. Da usare in torte, dolci o muffin.	100 g - 400 g ½-2 tazze	Velocità MACINA	8-15 secondi
Noci o nocciole tostate	Ottenere burro di noci, crema di nocciole o creme spalmabili.	100 g - 400 g ½-2 tazze	Velocità MISCELA, usa il pressino	20-30 secondi
Zucchero bianco	Macinare per ottenere zucchero a velo.	100 g-200 g 1-2 tazze	Velocità MACINA	15-30 secondi
Biscotti/cookie	Spezza i biscotti o i cookie a metà. Frullare per creare briciole. Da usare per la superficie dei cheesecake.	250 g	IMPULSI I GHIACCIO	20-30 secondi
Briciole di pane	Rimuovi le croste. Taglia il pane a cubetti da 2,5 cm. Da usare per panature, ripieni o crocchette.	120 g-400 g (fino a 5 fette)	Velocità MESCOLA	20-30 secondi
Maionese	Mescola i tuorli d'uovo, la senape e l'aceto o il succo di limone. Aggiungi lentamente l'olio attraverso il tappo. Da usare come condimento.	Fino a 4 tuorli d'uovo e 2 tazze d'olio.	Velocità MESCOLA	1 min 30 sec
Formaggi a pasta dura (parmigiano, pecorino)	Tagliali a cubetti da 3 cm. Da utilizzare per pasta e salse cremose.	Massimo 250 g	Velocità SMINUZZA	15-25 secondi
Panna	Per montare la panna fino a una consistenza cremosa. Se lo desideri, aggiungi zucchero o vaniglia prima di montare la panna.	300-600 ml	Velocità SMINUZZA	25-60 secondi
Verdure crude	Pelale e tagliale a cubetti da 2 cm. Tritatura fine. Da usare per ripieni e stufati.	200 g	Velocità SMINUZZA	4-6 secondi



ALIMENTI	PREPARAZIONE E UTILIZZO	QUANTITÀ	FUNZIONI	TEMPO
Miscela di cocco	Noci di cocco a fette Dimensioni: non più di 25 mm Uso: bevande	600 + acqua 1300	Velocità MACINA	10 secondi
Zuppe Miste	Raffreddare a temperatura ambiente	700 ml	VELOCITÀ LA MINESTRA	30 secondi



ALIMENTI	PREPARAZIONE E UTILIZZO	QUANTITÀ	FUNZIONI	TEMPO
Frullati	Latte, Frutta fresca tritata, Yogurt, Gelato	Massimo 400 ml	FRULLATI	30 secondi

Macinatura a secco

Tieni presente che la macinatura di ingredienti duri come spezie, noci e nocciole, zucchero, caffè, grani e così via provocherà graffiature sulle superfici interne del boccale e le renderà opache. Si tratta di un effetto cosmetico derivante dalla macinatura di ingredienti di questo tipo, che non ha effetti sulle prestazioni generali del boccale.

Ti consigliamo comunque di evitare l'elaborazione di quantità eccessive di spezie. Gli oli essenziali delle spezie combinati con il calore prodotto possono danneggiare la superficie del boccale.

Usa questa tabella di miscelazione per scopi puramente orientativi.



Risoluzione dei problemi

PROBLEMA	SOLUZIONE SEMPLICE
Il motore non si avvia o la lama non ruota	<ul style="list-style-type: none"> • Verifica che il boccale e il coperchio del frullatore siano posizionati correttamente. • Verifica che la spina sia inserita correttamente nella presa di corrente. • Verifica che il pulsante ON OFF e il pulsante della funzione selezionata siano illuminati.
Gli alimenti non vengono tritati in modo uniforme	<ul style="list-style-type: none"> • Usa il pressino durante il funzionamento per spostare gli ingredienti. • Riduci la velocità, per favorire il contatto tra le lame e gli alimenti. • Questa situazione può verificarsi se frulli una quantità eccessiva di ingredienti in un'unica soluzione. Prova con una quantità inferiore e, se necessario, lavora in più fasi. • È possibile che i pezzi degli ingredienti da frullare siano troppo grandi. Prova a tagliarli in pezzi più piccoli. Per risultati ottimali, i pezzi degli ingredienti non devono superare i 2 cm.
Il frullato risultante è troppo fine o acquoso	<ul style="list-style-type: none"> • Prova a frullare per periodi di tempo inferiori o a velocità inferiori. • Per controllare meglio il processo, utilizza la funzione GHIACCIO IMPULSI.
Gli alimenti aderiscono alla lama e al boccale	<ul style="list-style-type: none"> • È possibile che la miscela sia troppo spessa. Prova ad aggiungere più liquido e/o a frullare a una velocità inferiore.
Alimenti incollati sotto le lame	<ul style="list-style-type: none"> • Per rimuovere da sotto le lame residui di cibo difficili da asportare, rimetti in posizione il coperchio e fai girare il frullatore ad alta velocità per 4-5 secondi, in modo da estrarre i residui da sotto le lame.
Frullatore in sovraccarico	<ul style="list-style-type: none"> • Il frullatore dispone di una funzionalità che protegge il motore dal surriscaldamento e/o dalle sovracorrenti. Quando la funzionalità è attivata, PROTEZIONE SOVRACCARICO lampeggia sullo schermo LCD e il frullatore non può essere utilizzato. • Se la funzionalità è attivata, spegni il frullatore premendo il pulsante ON/OFF sul pannello di controllo, spegni l'eventuale interruttore a parete e scollega la spina dalla presa. Attendi qualche minuto, quindi reinserisci la spina e accendi il frullatore (ON). • Se l'indicatore PROTEZIONE SOVRACCARICO continua a lampeggiare, ripeti l'operazione e lascia raffreddare il frullatore per almeno 20-30 minuti. Quando PROTEZIONE SOVRACCARICO scompare dallo schermo il frullatore è di nuovo pronto per l'uso. • Ti consigliamo di frullare quantità più piccole o di tagliare gli ingredienti in pezzi più piccoli.



Manutenzione e pulizia

Recipienti e coperchi

Per evitare che gli alimenti si asciughino sulla superficie delle lame, dei recipienti e dei coperchi, esegui la procedura seguente subito dopo l'uso:

- Sciacqua la massima quantità possibile di alimenti dai recipienti e dai coperchi.

Boccale da 2 litri

- Aggiungi 1 litro di acqua calda e 1-2 gocce di detergente e premi il pulsante PULISCI.
- Sciacqua di nuovo il boccale e il coperchio e/o lavali a parte in acqua saponata tiepida con un panno morbido o una spazzola per bottiglie.

Accessori Personal Blender

- Tutti gli accessori Personal Blender sono lavabili in lavastoviglie sul ripiano superiore.
- Per favorire la rimozione di residui di alimenti dalle lame e dalle pareti del contenitore aggiungi 250 ml di acqua fredda al contenitore Personal Blender e premi PULISCI.
- Quindi risciacqua il contenitore con acqua calda.
- Se non è ancora pulito, lavalo a mano in acqua calda saponata usando un detergente liquido neutro e una spugna non abrasiva.



ATTENZIONE

La combinazione di acqua calda e detergente può creare pressione nel contenitore. Quando sciacqui il contenitore Personal Blender con il ciclo PULISCI non aggiungere mai acqua bollente o calda, perché il vapore prodotto può causare una pressurizzazione pericolosa. Evita di aggiungere detergente, perché la schiuma prodotta si espande e può causare pressurizzazione.



ATTENZIONE

Gli oli contenuti nella scorza degli agrumi possono danneggiare il materiale del boccale e del contenitore Personal Blender se lasciati a contatto con la superficie per lungo tempo. Dopo l'elaborazione di scorze di agrumi, pulisci sempre immediatamente il boccale e il contenitore Personal Blender.

Base del motore

Per pulire la base del motore strofinala con un panno morbido umido, quindi asciugala a fondo. Rimuovi eventuali particelle di alimenti dal cavo di alimentazione.

Prodotti per la pulizia

Non utilizzare spugnette abrasive o detersivi con particelle abrasive sulla base del motore o sul boccale. Tali prodotti possono rigare le superfici. Utilizza solo acqua saponata tiepida con un panno morbido.

Lavastoviglie

Il boccale, il contenitore Personal Blender, il sistema di lame Personal Blender, il pressino, il raschietto e tutti i coperchi sono lavabili in lavastoviglie con un ciclo standard. Puoi posizionare il boccale sul piano inferiore, mentre il contenitore Personal Blender e i coperchi vanno lavati solo sul piano superiore della lavastoviglie.

Macchie e odori persistenti

Gli alimenti con odori forti quali l'aglio, il pesce e alcune verdure quali le carote possono lasciare una traccia di odore o una macchia.

Boccale da 2 litri

Per la rimozione, pulisci il boccale e il coperchio seguendo le istruzioni della sezione PULISCI. Unisci nel boccale 2 cucchiaini da tavola di bicarbonato di sodio e mezza tazza (125 ml) di aceto. Attendi per circa un minuto mentre la mistura forma schiuma. Strofini il boccale e il coperchio con la mistura usando una spazzola per piatti morbida. Aggiungi due tazze d'acqua calda e lascia riposare per 5 minuti. Inserisci il boccale sulla base del frullatore. Fissa il coperchio e premi il pulsante PULISCI. Sciacqua con cura il boccale e lascialo asciugare all'aria. Riponi il boccale senza coprirlo con il coperchio, per favorire l'aerazione.

Contenitore Personal Blender

Riempi il contenitore con acqua saponata calda fino all'indicatore MAX. Lascia riposare per 5 minuti. Quindi lavalo con un detergente delicato e acqua calda, risciacqualo a fondo e asciugalo completamente. Non utilizzare la funzione PULISCI per rimuovere odori e macchie resistenti dal contenitore Personal Blender.

Macinatura a secco

La macinatura di ingredienti duri come spezie, noci e nocciole, zucchero, caffè, grani e così via provocherà graffiature sulle superfici interne del boccale e le renderà opache.

Inoltre alcune spezie o erbe aromatiche rilasciano essenze che possono scolorire il boccale o lasciare un aroma persistente. Si tratta di effetti cosmetici derivanti dalla macinatura di ingredienti di questo tipo, che non hanno effetti sulle prestazioni generali del boccale.

Immazzinaggio

Riponi il frullatore in posizione dritta, con il boccale assemblato sulla base del motore o accanto alla base stessa. Riponi il contenitore Personal Blender con il sistema di lame assemblato. Non posizionare nessun oggetto sul frullatore. Non coprire il boccale con il coperchio, per favorire l'aerazione.



Garanzia

GARANZIA LIMITATA DI 10 ANNI

Sage Appliances offre una garanzia per l'utilizzo domestico di questo prodotto in specifiche aree geografiche, per 10 anni dalla data di acquisto. La garanzia copre eventuali malfunzionamenti causati da difetti di fabbricazione o dei materiali. Durante il periodo coperto dalla garanzia, Sage Appliances sarà tenuta a riparare, sostituire o rimborsare l'importo corrispondente ai prodotti difettosi (a sola discrezione di Sage Appliances).

Tutti i diritti di garanzia previsti dalla legislazione nazionale applicabile verranno rispettati e non possono essere annullati dalla presente garanzia. Per i termini e le condizioni complete della garanzia e per istruzioni su come inviare una richiesta di risarcimento, visitare il sito www.sageappliances.com.



Nota

the Super Q™



ES GUÍA RÁPIDA

Sage®



Índice

- 2 Sage® recomienda seguridad ante todo
- 7 Componentes
- 8 Funciones
- 11 Tabla de batidos
- 13 Resolución de problemas
- 14 Cuidado y limpieza
- 15 Garantía

SAGE® RECOMIENDA SEGURIDAD ANTE TODO

En Sage® nos preocupa mucho la seguridad. Para el diseño y la fabricación de nuestros productos de consumo tenemos en cuenta antes que nada la seguridad de nuestros clientes, como tú. También te rogamos que actúes cuidadosamente al usar cualquier electrodoméstico y que tomes las precauciones siguientes.

MEDIDAS DE SEGURIDAD IMPORTANTES

LEE TODAS LAS INSTRUCCIONES ANTES DEL USO Y GUÁRDALAS PARA PODER CONSULTARLAS EN EL FUTURO.

- Hay una versión de este documento disponible en sageappliances.com para descargar.
- Antes de usar el producto por primera vez, asegúrate de que la potencia eléctrica de la toma de corriente coincida con la que figura en la etiqueta en la base del electrodoméstico.
- Retira y desecha de forma apropiada los materiales de embalaje antes del primer uso.
- Para evitar riesgos de asfixia de niños pequeños, desecha correctamente la cubierta protectora del enchufe.
- Este electrodoméstico es solo para uso doméstico. No se debe utilizar para fines distintos de su uso previsto. No se debe utilizar en vehículos o embarcaciones en movimiento. No se debe utilizar al aire libre. El uso inapropiado podría causar lesiones.
- Desenrolla completamente el cable de alimentación antes de usar el electrodoméstico.
- Coloca el aparato sobre una superficie estable, resistente al calor, nivelada y seca. No lo pongas muy cerca del borde ni cerca de una fuente de calor (por ejemplo, una placa de cocina eléctrica, un quemador de gas o un horno).
- La vibración durante el funcionamiento podría hacer que

- el electrodoméstico se mueva.
- Evita que el cable de alimentación sobresalga del borde de una encimera o una mesa, entre en contacto con superficies calientes o se enrede.
 - Antes de limpiar, mover o guardar el electrodoméstico, asegúrate siempre de que esté APAGADO y desenchufado de la toma de corriente, y de que se haya enfriado tras el uso.
 - Cuando no utilices el electrodoméstico, debe estar APAGADO (en la posición off) y desenchufado de la toma de corriente.
 - No lo utilices si el cable de alimentación, el enchufe o el electrodoméstico propiamente dicho están dañados. Ante cualquier daño y si se requiere algún tipo de mantenimiento (que no sea la limpieza), ponte en contacto con el Servicio de atención al cliente de Sage o visita sageappliances.com
 - Cualquier tarea de mantenimiento que no sea de limpieza debe realizarla un Centro de servicio autorizado de Sage®.
 - No permitas que los niños jueguen con este electrodoméstico.
 - La limpieza del electrodoméstico no debe ser realizada por niños menores de 8 años, ni por niños mayores sin la supervisión de un adulto.
 - El electrodoméstico y el cable deben mantenerse fuera del alcance de los niños menores de 8 años.
 - Se recomienda la instalación de un interruptor diferencial para ofrecer seguridad adicional al usar todos los electrodomésticos. Se recomienda usar interruptores de seguridad con una corriente de funcionamiento nominal de no más de 30 mA. Solicita asesoramiento profesional a un electricista.
 - Asegúrate siempre de que el electrodoméstico esté correctamente ensamblado según las instrucciones antes de usarlo. El uso del electrodoméstico sin haber sido ensamblado correctamente puede causar un mal funcionamiento del producto, daños en el mismo o riesgos para la seguridad, incluidas lesiones personales.
 - No utilices el electrodoméstico sobre el escurridor del fregadero.
 - Mantén las manos, el pelo, la ropa y utensilios como espátulas y otros alejados de las partes móviles o giratorias durante el uso.
 - No utilices el aparato para fines que no sean la preparación de alimentos y bebidas.

- Para evitar el riesgo de que el electrodoméstico se ponga en funcionamiento por sí solo debido a un restablecimiento involuntario de la protección de sobrecarga, no acoples ningún dispositivo de conmutación externo (por ejemplo, un temporizador) ni conectes el electrodoméstico a un circuito capaz de encenderlo/apagarlo.
- Lee todas las instrucciones antes del uso y guárdalas para poder consultarlas en el futuro.
- El electrodoméstico puede ser utilizado por personas con discapacidades físicas o mentales, o sin experiencia ni conocimientos de uso, siempre y cuando reciban supervisión o instrucciones para el uso seguro del electrodoméstico y comprendan los riesgos implicados.
- Este electrodoméstico no debe ser utilizado por niños.
- Supervisa el electrodoméstico en todo momento mientras esté en funcionamiento.
- Deja que el motor repose durante 1 minuto entre usos.
- Ten cuidado al manipular y limpiar las cuchillas, ya que son muy afiladas. El mal manejo de las cuchillas puede causar lesiones.
- Evita poner la taza o la jarra en la base del motor mientras el motor siga girando.
- No lo hagas funcionar sin ingredientes en la taza o jarra.
- Nunca intentes hacerlo funcionar con cuchillas dañadas, o con utensilios, o cualquier objeto extraño dentro de la taza o jarra.
- No coloques la taza o la jarra en temperaturas extremas de calor o frío, por ejemplo, colocar una jarra fría en agua caliente, o viceversa.
- La tapa debe estar firmemente asegurada a la jarra antes de su operación para asegurar que el contenido interno no se escape, rocíe o desborde.
- No retires la jarra de la base del motor mientras se esté usando la batidora de vaso.
- Usa solo la jarra y la tapa de la batidora de vaso, las tazas, el juego de cuchillas y los accesorios que se suministran con esta batidora de vaso. El uso de accesorios no fabricados o especificados por Sage puede causar riesgo de incendio, descarga eléctrica o lesiones.
- No uses la batidora de vaso mientras **OVERLOAD PROTECTION** esté parpadeando en la pantalla LCD. Si esto ocurre, desenchufa la batidora de vaso y espera 30 minutos hasta que el motor se haya enfriado. Cuando se haya enfriado, podrás volver a utilizar la batidora de vaso como siempre.

- Ten cuidado al verter líquidos calientes en la batidora de vaso, ya que pueden producirse salpicaduras debido a la creación de vapor.
- Cuando batas líquidos calientes, asegúrate de que la tapa medidora interna esté en su sitio. La tapa te protegerá de las salpicaduras de líquidos calientes durante el batido e incluye respiraderos diseñados para aliviar la presión y evitar la acumulación de vapor.
- Ten cuidado al retirar la tapa después de batir líquidos calientes, ya que el vapor puede quedar atrapado y ser expulsado de la jarra cuando se retire la tapa.
- Respeta estrictamente el límite de capacidad reducido para el batido de ingredientes calientes. El incumplimiento de esta instrucción puede causar lesiones personales con quemaduras por líquidos calientes.
- Nunca batas ingredientes o líquidos calientes utilizando la función de batido al vacío (el batido al vacío es una función opcional que se logra mediante el uso de la bomba de vacío Sage, suministrada por separado).
- Nunca utilices accesorios que no se suministren con este producto o que no estén autorizados por Sage para

su uso en este producto. El incumplimiento de esta instrucción puede causar un mal funcionamiento del producto, daños en el mismo o riesgos para la seguridad.

- Para utilizar en este producto los accesorios opcionales autorizados por Sage, lee todas las instrucciones suministradas con el accesorio junto con las instrucciones contenidas en este folleto.

AVISO A LOS CLIENTES SOBRE EL ALMACENAMIENTO DE MEMORIA

Ten en cuenta que hemos equipado el aparato con almacenamiento de memoria interna a fin de ofrecer un mejor servicio a nuestros clientes. Este almacenamiento de memoria consta de un pequeño chip que recopila cierta información sobre tu aparato, incluidas frecuencia y forma de uso. En el caso de ser devuelto para su reparación, la información recopilada del chip nos permite brindar a tu aparato un mantenimiento rápido y eficiente. La información recopilada también nos ayuda a desarrollar futuros aparatos que satisfagan mejor las necesidades de nuestros clientes. El chip no recopila ninguna información sobre los usuarios o la vivienda donde se usa el producto. Si tienes alguna pregunta sobre el chip de

almacenamiento de memoria, contáctanos escribiendo a privacy@sageappliances.com.

CUANDO UTILICES EL ACCESORIO DE BATIDORA PERSONAL, TEN EN CUENTA LO SIGUIENTE:

Abrir una taza presurizada de la batidora personal puede provocar que los ingredientes salpiquen, o puede causar quemaduras o escaldaduras si el contenido está caliente. Para minimizar el riesgo de que esto ocurra, sigue siempre las siguientes instrucciones:

- Nunca batas ingredientes calientes o tibios. Detén el proceso de batido si el contenido se calienta al batirlo. Nunca batas ingredientes durante más de 1 minuto. Batir durante más de 1 minuto puede provocar que los ingredientes se calienten y el vapor puede hacer que la taza se presurice.
- Nunca intentes desenroscar la cuchilla de la base de la taza cuando ésta se presurice debido a la acumulación de vapor. Deja que la taza se enfríe a temperatura ambiente antes de desenroscar cuidadosamente la hoja.

- Nunca batas un líquido carbonatado, lavavajillas o cualquier ingrediente que pueda expandirse o generar un gas.
- Nunca llenes la taza más allá de la capacidad máxima indicada.
- Si se produce una fuga durante el batido, detén inmediatamente el batido y desenchufa la unidad de la toma de corriente. Comprueba que la taza de la batidora personal no esté llena más allá del nivel máximo y que no haya daños en el sello o en la taza. Limpia la fuga con una toalla seca y atornilla la taza firmemente al mecanismo de batido antes de reanudar el batido.



Este símbolo indica que el electrodoméstico no debe desecharse con la basura doméstica normal. Debe llevarse a un centro de recogida de residuos designado por las autoridades locales para ese fin, o a una empresa que preste ese servicio. Para obtener más información, ponte en contacto con los servicios municipales.

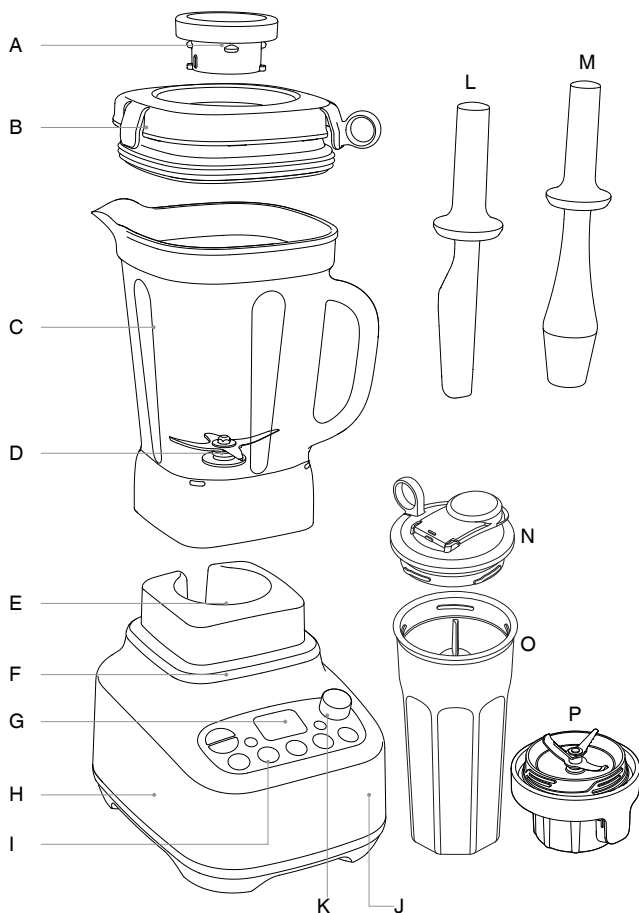


Para evitar descargas eléctricas, no sumerjas el enchufe, el cable de alimentación ni el electrodoméstico en agua ni otros líquidos.

GUARDA ESTAS INSTRUCCIONES



Componentes



- A. Tapa medidora interna
- B. Tapa de alto rendimiento
- C. Jarra de 2,0 litros sin BPA
- D. Sistema extraancho de minicuchillas y jarra de alta resistencia
- E. Acoplamiento metálico de alta resistencia
- F. Motor de gran potencia de 2400 W
- G. Indicador LCD con temporizador
- H. Base resistente

- I. 5 programas preestablecidos
- J. Protección de sobrecarga
- K. Dial de velocidad manual

ACCESORIOS

- L. Espátula
- M. Prensador
- N. Tapa de viaje
- O. Taza de batidora personal sin BPA
- P. Sistema de cuchillas de batidora personal



Datos técnicos

220-240 V ~ 50-60 Hz 2400 W



Funciones

ANTES DEL PRIMER USO

Antes de usar la batidora de vaso Sage® por primera vez, retira cualquier material de embalaje y etiquetas promocionales.

Lava la tapa, la tapa interior y la jarra de la batidora de vaso (consulta "Cuidado y limpieza") en agua tibia y jabonosa con un paño suave. Enjuaga y seca bien todo. No coloques las piezas en el lavavajillas (con la excepción de la jarra de la batidora de vaso).

Consulta la sección "Cuidado y limpieza" para más detalles. La base del motor puede limpiarse con un paño húmedo. Seca bien todo.

CÓMO EMPEZAR

Modo Listo

Pulsa el botón ON | OFF para poner la unidad en modo LISTO.

Suspensión

Después de 2 minutos de inactividad, la pantalla LCD se apaga y el botón ON | OFF parpadea en rojo.

Después de 5 minutos de inactividad, la batidora de vaso se APAGA. Pulsa el botón ON | OFF para reactivar la batidora de vaso.

RECIPIENTES

Esta unidad cuenta con dos recipientes de batido. La base de la batidora de vaso detecta automáticamente el recipiente y ajusta los tiempos de batido en programas preestablecidos para optimizar los resultados de los alimentos.

Jarra de 2,0 litros

La jarra se recomienda para grandes volúmenes de hasta 2 litros y se puede utilizar con todos los programas preestablecidos.

Taza y sistema de cuchillas de batidora personal

La taza de la batidora personal bate volúmenes más pequeños de hasta 700 ml. La tapa de viaje la transforma en una taza para llevar, por lo que es ideal para bebidas batidas.

Los programas preestablecidos PULSE | ICE CRUSH, SMOOTHIE y GREEN SMOOTHIE están activados. Los programas FROZEN DESSERT y SOUP no son adecuados para usar con los accesorios de la batidora personal y los programas preestablecidos están desactivados.

PAUSE / CANCEL

Para el batido manual:

La primera pulsación detiene la velocidad seleccionada.

La segunda pulsación cancela la velocidad seleccionada.

Gira el dial para volver a batir.

Para programas de batidos:

La primera pulsación pausa el programa seleccionado.

La segunda pulsación cancela el programa seleccionado.

Pulsa el botón PROGRAM para iniciar el programa de nuevo.



FUNCIONAMIENTO MANUAL

DIAL DE CONTROL DE VELOCIDAD

Gira el dial de control de velocidad en el sentido de las agujas del reloj para seleccionar uno de los 12 ajustes de velocidad, desde un STIR lento hasta un MILL muy rápido.

Para detener el batido, gira el dial de control de velocidad en sentido contrario a las agujas del reloj a la posición READY.

La batidora de vaso está programada para permitir que las velocidades manuales funcionen durante un total de 6 minutos (jarra de 2,0 litros) o 30 segundos (taza de batidora personal) antes de detenerse automáticamente.



ADVERTENCIA

Nunca batas líquidos calientes hirviendo. Deja que la temperatura de los ingredientes se enfríe a temperatura ambiente antes de ponerlos en la jarra de la batidora de vaso.

PROGRAMAS PREESTABLECIDOS

PULSE | ICE CRUSH

Un programa de impulsos continuos diseñado para cortar los alimentos en una consistencia uniforme o picar cubitos de hielo.

SMOOTHIE

Para smoothies lácteos. Una combinación de velocidades e impulsos diseñada para combinar y airear los ingredientes en una textura suave y cremosa.

GREEN SMOOTHIE

Para batir frutas y verduras enteras en una bebida suave. Una combinación de perfiles de alta velocidad descompone las fibras duras en partículas muy finas. Usa el prensador si los ingredientes se atascan.

FROZEN DESSERT

Un programa de alta velocidad para descomponer frutas y verduras congeladas en un postre listo para servir. Utiliza el prensador para obtener los mejores resultados.

SOUP

Este programa es exclusivo para crear una sopa fría a caliente, convirtiendo ingredientes enteros a temperatura ambiente en una sopa caliente y suave. Principalmente un programa de alta velocidad, el programa terminará con una agitación lenta para eliminar las burbujas de vapor.



NOTA

Los alimentos crudos como las carnes y los mariscos deben cocinarse antes de usar el programa SOPA.



ADVERTENCIA

No añadas ingredientes calientes cuando utilices el programa SOUP.

CLEAN

Utilízalo para eliminar la mayoría de los ingredientes de las paredes de la batidora de vaso y de las cuchillas. Añade 4 tazas de agua tibia jabonosa a la jarra de la batidora de vaso y pulsa el botón CLEAN. Para ingredientes más difíciles de limpiar, pegajosos o espesos, añade ½ cucharadita de detergente líquido para vajilla y obtendrás mayor poder de limpieza. Para obtener mejores resultados, limpia la jarra de la batidora de vaso de esta manera inmediatamente después de usarla.



Consejos

- La tapa medidora interna se puede quitar y se pueden añadir aceites/líquidos u otros ingredientes durante el batido. Se debe tener mucho cuidado ya que dependiendo de la mezcla y de las velocidades de funcionamiento, pueden saltar salpicaduras de la tapa. No se recomienda retirar la tapa medidora interna al batir líquidos calientes.
- No excedas la marca máxima cuando añadas alimentos y líquidos a la batidora de vaso.
- Usa el botón PULSE | ICE CRUSH cuando los alimentos sean demasiado gruesos o ásperos para que circulen dentro de la jarra de la batidora de vaso.
- Los accesorios espátula y prensador se pueden utilizar durante el batido quitando la tapa medidora interna. Asegúrate siempre de que la tapa principal permanezca firmemente en su sitio.
- Es posible que los ingredientes se adhieran a los lados de la jarra de la batidora de vaso. Para empujar los alimentos de vuelta a las cuchillas con la tapa principal puesta (sin la tapa interior), usa el prensador o la espátula suministrados para raspar los lados de la jarra y continuar batiendo.
- Si se derrama humedad o líquido en la parte superior de la base del motor durante el batido, apaga la batidora de vaso y desenchúfala de la toma de corriente. Retira la jarra de la batidora de vaso y limpia la base del motor inmediatamente con un paño seco o una toalla de papel.
- La cantidad óptima de cubitos de hielo que la batidora de vaso puede procesar en la jarra es de 250 g (aproximadamente 1 bandeja de hielo estándar).
- Cuando la batidora de vaso ha estado funcionando durante 6 minutos en modo manual con la jarra o 30 segundos con la taza de la batidora personal, se apagará automáticamente. Esta es una característica de seguridad para proteger el motor.
- Las mezclas más gruesas se hacen puré más eficientemente si la jarra está llena de $\frac{1}{4}$ a $\frac{1}{2}$.
- No utilices utensilios metálicos, ya que pueden dañar las cuchillas o la jarra de la batidora de vaso.
- Para quitar cualquier alimento que no pueda ser raspado fácilmente de debajo de las cuchillas, vuelve a colocar la tapa y vuelve a poner la batidora de vaso a alta velocidad durante 4-5 segundos para hacer girar y sacar los alimentos de debajo de las cuchillas.



Tabla de batidos (para jarra)

ALIMENTOS	PREPARACIÓN Y USO	CANTIDAD	FUNCIONES	TIEMPO
Granos y semillas	Moler en harina. Para pan, masas para pizza, pasteles, magdalenas y rebozados de harina.	250 g - 420 g 1-2 tazas	Velocidad MILL	20-30 segundos
Legumbres secas y maíz, p. ej. soja, garbanzos, palomitas de maíz	Moler en harina. En combinación con harina común o harina con levadura para panes, pasteles, magdalenas, panqueques.	250 g - 420 g 1-2 tazas	Velocidad MILL	20-30 segundos
Espicias	Para moler especias. Usa especias enteras, salvo canela en rama (que debe partirse por la mitad). Almacena en recipientes herméticos.	Mínimo ¼ de taza 8-16 ramas de canela	Velocidad MILL	20-30 segundos
Frutos secos crudos	Para hacer harina de frutos secos. Para pasteles, galletas y panecillos.	100 g - 400 g ½-2 tazas	Velocidad MILL	8-15 segundos
Frutos secos tostados	Para hacer mantequillas y productos para untar de frutos secos.	100 g - 400 g ½-2 tazas	Velocidad BLEND, usa prensador	20-30 segundos
Azúcar blanco	Muele para hacer azúcar glaseado puro o azúcar en polvo.	100 g-200 g 1-2 tazas	Velocidad MILL	15-30 segundos
Galletas	Parte las galletas por la mitad. Bate para formar migas. Para costras de pasteles de queso.	250 g	PULSE ICE CRUSH	20-30 segundos
Pan rallado	Retira las costras. Corta el pan en cubos de 2½ cm. Para recubrimientos de migas, rellenos o en albóndigas y hamburguesas de carne.	120 g-400 g (hasta 5 rodajas)	Velocidad MIX	20-30 segundos
Mayonesa	Mezcla la yema de huevo, la mostaza y el vinagre o el zumo de limón. Añade aceite lentamente a través de la tapa. Para aderezos.	Hasta 4 yemas de huevo y 2 tazas de aceite.	Velocidad MIX	1 minuto 30 segundos
Quesos duros (como parmesano y pecorino)	Corta en cubos de 3 cm. Para salsas cremosas, platos de pasta.	Máximo 250 g	Velocidad CHOP	15-25 segundos
Nata	Bate la nata hasta que quede firme. Añade azúcar o vainilla antes de batir, si quieres.	300-600 ml	Velocidad CHOP	25-60 segundos
Verduras crudas	Pela y corta en cubos de 2 cm. Finamente picado. Para rellenos, boloñesa, guisos y cazuelas.	200 g	Velocidad CHOP	4-6 segundos



ALIMENTOS	PREPARACIÓN Y USO	CANTIDAD	FUNCIONES	TIEMPO
Mezcla de coco	Cocos en rodajas Tamaño: no más de 25 mm Uso: bebidas	600 + agua 1300	Velocidad MILL	10 segundos
Sopas mezcladas	Enfriar a temperatura ambiente	700 ml	Velocidad SOPA	30 segundos



ALIMENTOS	PREPARACIÓN Y USO	CANTIDAD	FUNCIONES	TIEMPO
Bebida batida	Leche, Frutas frescas picadas, Yogur, Helado	Máximo 400 ml	SMOOTHIE	30 segundos

Molido en seco

Ten en cuenta que moler ingredientes duros como especias, nueces, azúcar, café, granos, etc. causará arañazos y enturbiamiento en las superficies internas de la jarra. Este es un resultado cosmético del molido de este tipo de ingredientes, y no afecta al rendimiento de la jarra.

Sin embargo, evita sobreprocesar las especias. Los aceites esenciales que se encuentran en las especias cuando se combinan con el calor pueden dañar la superficie de la jarra.

Esta tabla de batidos debe usarse solo como una guía.



Resolución de problemas

PROBLEMA	SOLUCIÓN FÁCIL
El motor no se pone en marcha o la cuchilla no gira	<ul style="list-style-type: none"> • Comprueba que la jarra de la batidora de vaso y la tapa estén bien colocadas. • Comprueba que la clavija de alimentación esté correctamente insertada en la toma de corriente. • Comprueba que el botón ON OFF y el botón de función seleccionado estén iluminados.
Los alimentos se pican de manera desigual	<ul style="list-style-type: none"> • Usa el prensador cuando batas para ayudar a que se muevan los ingredientes. • Reduce la velocidad para que las cuchillas tengan más posibilidades de agarrar el alimento. • Esto puede suceder cuando se mezclan demasiados alimentos a la vez. Prueba una cantidad más pequeña y trabaja en lotes si es necesario. • Es posible que los ingredientes sean demasiado grandes. Intenta cortarlos en trozos más pequeños. Para obtener los mejores resultados, los ingredientes deben estar en trozos de no más de 2 cm.
Los alimentos se pican demasiado finos o quedan acuosos	<ul style="list-style-type: none"> • Intenta batir por un período de tiempo más corto o a velocidades más lentas. • Utiliza la función ICE CRUSH PULSE para un mejor control.
Los alimentos se pegan a la cuchilla y a la jarra	<ul style="list-style-type: none"> • Es posible que la mezcla sea demasiado espesa. Añade más líquido o usa una velocidad más lenta para batir
Alimentos atascados bajo las cuchillas	<ul style="list-style-type: none"> • Para quitar cualquier alimento que no pueda ser fácilmente raspado de debajo de las cuchillas, vuelve a colocar la tapa y vuelve a poner la batidora de vaso a alta velocidad durante 4-5 segundos para hacer girar y sacar los alimentos de debajo de las cuchillas.
Batidora de vaso sobrecargada	<ul style="list-style-type: none"> • Esta batidora de vaso tiene una función de protección del motor para proteger contra el sobrecalentamiento o el uso excesivo de corriente. Cuando se active, OVERLOAD PROTECTION parpadeará en la pantalla LCD y no se podrá usar la batidora de vaso. • Si se activa, apaga la batidora de vaso pulsando el botón ON OFF en el panel de control y desenchufa la batidora de vaso. Espera unos minutos y luego vuelve a conectar y encender la batidora de vaso. • Si OVERLOAD PROTECTION sigue parpadearando, repite y deja que la batidora de vaso se enfríe durante al menos 20-30 minutos. Una vez que OVERLOAD PROTECTION haya desaparecido de la pantalla, la batidora de vaso estará lista para volver a utilizarla. • Recomendamos batir en lotes más pequeños o cortar los ingredientes en piezas más pequeñas.



Cuidado y limpieza

Recipientes y tapas

Para evitar que los alimentos se sequen en las cuchillas, recipientes y tapas, sigue los siguientes pasos tan pronto como sea posible después del uso:

- Enjuaga para sacar la mayoría de los ingredientes de los recipientes y las tapas.

Jarra de 2 litros

- Añade 1 litro de agua tibia y 1 o 2 gotas de lavavajillas y pulsa el botón CLEAN.
- Enjuaga la jarra y la tapa de nuevo o lava por separado en agua tibia jabonosa con un paño suave o un cepillo para botellas.

Accesorios para batidora personal

- Todos los accesorios para batidora personal son aptos para lavavajillas en el estante superior.
- Para ayudar a eliminar los residuos de alimentos de las cuchillas y las paredes de las tazas, puedes añadir 250 ml de agua fría a la taza de la batidora personal y pulsar CLEAN.
- Luego enjuaga la taza con agua tibia.
- Si todavía no está limpia, lava a mano en agua tibia, jabonosa y limpia con un lavavajillas líquido suave y una esponja no abrasiva.



ADVERTENCIA

Existe un riesgo de presurización por agua caliente o lavavajillas. Al enjuagar la taza de la batidora personal con el ciclo CLEAN, no añadas nunca agua caliente, ni siquiera tibia, ya que el vapor producido puede crear una presurización peligrosa. No añadas lavavajillas, ya que la espuma producida se expandirá y puede provocar presurización.



ADVERTENCIA

Los aceites en la corteza de los cítricos pueden dañar el material de tu jarra y de tu taza de la batidora personal si se exponen a ellos por un período más largo. Limpia siempre la jarra de la batidora de vaso y la taza de la batidora personal inmediatamente después de procesar piel de cítricos.

Base del motor

Para limpiar la base del motor, límpiala con un paño suave y húmedo y sécala bien. Limpia cualquier exceso de partículas de alimentos del cable de alimentación.

Agentes limpiadores

No utilices estropajos o limpiadores abrasivos en la base del motor o en la jarra, ya que pueden rayar la

superficie. Usa solo agua tibia jabonosa con un paño suave.

Lavavajillas

La jarra de la batidora de vaso, la taza de la batidora personal, el sistema de cuchillas de la batidora personal, el prensador, la espátula y todas las tapas se pueden lavar en el lavavajillas en un ciclo de lavado estándar. La jarra se puede colocar en el estante inferior, sin embargo, la taza de la batidora personal y las tapas deben estar en el estante superior solamente.

Manchas y olores de alimentos persistentes

Los alimentos con olor fuerte como el ajo, el pescado y algunas verduras como las zanahorias pueden dejar olor o manchas.

Jarra de 2 litros

Para retirarla, limpia la jarra y la tapa siguiendo las instrucciones de CLEAN. Añade 2 cucharadas de bicarbonato de soda y ½ taza (125 ml) de vinagre en la jarra y deja que la mezcla haga espuma durante 1 minuto. Frota la jarra y la tapa con la mezcla usando un cepillo suave para lavar platos. Añade 2 tazas de agua tibia y deja reposar durante 5 minutos. Coloca la jarra en la base de la batidora de vaso. Asegura la tapa y luego pulsa el botón CLEAN. Enjuaga bien la jarra y deja que se seque al aire libre. Para permitir que el aire circule, almacena la jarra y la tapa sin colocar la tapa.

Taza de batidora personal

Para quitar, vierte agua tibia jabonosa y llena hasta la marca MAX. Deja en remojo durante 5 minutos. Luego lava con un lavavajillas suave y agua tibia, enjuaga bien y seca bien. No utilices la función CLEAN para eliminar manchas y olores persistentes de tu taza de batidora personal.

Molido en seco

El molido de ingredientes duros como especias, nueces, azúcar, café, granos, etc. causará arañazos y enturbiamiento en las superficies internas de la jarra.

Algunas especias y hierbas liberan aceites aromáticos que pueden decolorar la jarra o dejar aroma. Estos son resultados cosméticos del molido de este tipo de ingredientes, y no afectan el rendimiento de la jarra.

Almacenamiento

Guarda tu batidora de vaso en posición vertical con la jarra de la batidora de vaso montada en la base del motor, o al lado de ella. Almacena la batidora personal con el sistema de cuchillas ensamblado. No coloques nada encima. Para permitir que el aire circule, no coloques la tapa.



Garantía

GARANTÍA LIMITADA DE 10 AÑOS

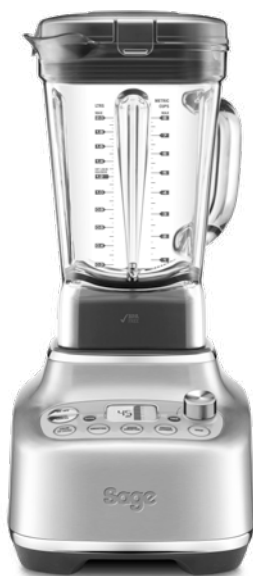
La garantía de Sage Appliances cubre este producto para uso doméstico en territorios específicos durante 10 años a partir de la fecha de compra contra fallos causados por mano de obra y materiales defectuosos. Durante el plazo de la garantía, Sage Appliances reparará o sustituirá productos defectuosos (a criterio de Sage Appliances).

Todos los derechos de garantía en virtud de la legislación nacional vigente serán respetados y no se verán afectados por nuestra garantía. Para consultar los términos y condiciones completos de la garantía, así como instrucciones sobre cómo hacer una reclamación, visite www.sageappliances.com



Notas

the Super Q™



PT MANUAL RÁPIDO

Sage®



Índice

- 2 A Sage® recomenda a segurança como máxima prioridade
- 8 Componentes
- 9 Funções
- 11 Dicas
- 12 Tabela de mistura (para a jarra)
- 14 Resolução de problemas
- 15 Cuidados e limpeza
- 17 Garantia

A SAGE® RECOMENDA A SEGURANÇA COMO MÁXIMA PRIORIDADE

Na Sage®, temos a máxima preocupação com a segurança. Concebemos e produzimos produtos para o consumidor principalmente com a sua segurança, o nosso prezado cliente, em mente. Além disso, pedimos que tenha cuidado quando utilizar qualquer aparelho elétrico e que cumpra as precauções seguintes.

CUIDADOS IMPORTANTES

LEIA TODAS AS INSTRUÇÕES ANTES DE UTILIZAR E GUARDE-AS PARA CONSULTA FUTURA

- Está disponível uma versão transferível deste documento em sageappliances.com
- Antes de utilizar pela primeira vez, certifique-se de que a sua fonte de alimentação corresponde à indicada na etiqueta na parte inferior do aparelho.
- Remova e elimine todos os materiais da embalagem antes da primeira utilização.
- Para eliminar o risco de asfixia para as crianças, elimine de forma segura a cobertura de proteção instalada na ficha de alimentação.
- Este aparelho destina-se apenas a uso doméstico. Não utilize o aparelho para outra função diferente da utilização a que se destina. Não utilize em veículos em movimento ou barcos. Não utilize no exterior. A utilização incorreta pode causar ferimentos.
- Desenrole completamente o cabo de alimentação antes de utilizar.
- Coloque o aparelho numa superfície plana, estável, resistente ao calor e seca,

afastado da extremidade e não utilize próximo de uma fonte de calor, como uma placa térmica, forno ou bico de gás.

- A vibração durante a operação pode fazer com que o aparelho se mova.
- Não deixe o cabo de alimentação pendurado sobre a extremidade de uma mesa ou bancada, em contacto com superfícies quentes nem permita que o cabo se enrosque.
- Certifique-se sempre de que o aparelho está desligado (OFF), e que a ficha foi retirada da tomada elétrica e arrefeceu totalmente antes de o limpar, tentar mover ou armazenar.
- Desligue sempre o aparelho (interruptor na posição OFF), desligue na tomada elétrica e retire a ficha da tomada elétrica quando não estiver em utilização.
- Não utilize o aparelho se o cabo de alimentação, a ficha ou o próprio aparelho estiverem danificados de qualquer maneira. Contacte o serviço de atendimento ao cliente da Sage ou dirija-se a sageappliances.com se o aparelho estiver danificado ou for necessária qualquer tarefa de manutenção que não a de limpeza.
- Qualquer tarefa de manutenção que não a de limpeza deve ser realizada por um centro de assistência autorizado pela Sage®.
- As crianças não devem brincar com o aparelho.
- As tarefas de limpeza do aparelho não devem ser executadas por crianças exceto caso tenham mais de 8 anos de idade e tenham supervisão.
- O aparelho e o cabo devem ser mantidos fora do alcance das crianças com idade inferior a 8 anos.
- Recomendamos a instalação de um comutador de segurança da corrente residual para fornecer segurança adicional ao utilizar todos os aparelhos elétricos. Recomendamos o uso de comutadores de segurança com uma corrente operacional nominal não superior a 30 mA. Consulte um electricista para obter aconselhamento profissional.
- Antes de utilizar, certifique-se sempre de que o aparelho foi montado corretamente de acordo com as instruções. Usar o aparelho sem estar corretamente montado pode provocar avarias do produto, danos no produto ou constituir um risco de segurança, incluindo lesões pessoais.
- Não opere o aparelho sobre uma pia de cozinha.

- Mantenha as mãos, dedos, cabelo, vestuário bem como espátulas e outros utensílios afastados das peças móveis ou rotativas durante o funcionamento.
- Não utilize o aparelho para outra função que não a preparação de alimentos e/ou bebidas.
- Não ligue um dispositivo de comutação externo (como um temporizador) ou ligue o aparelho a um circuito que possa ligar e desligar regularmente o aparelho para evitar o possível risco do arranque do aparelho devido à reinicialização acidental da proteção contra sobrecarga.
- Leia cuidadosamente todas as instruções antes do funcionamento e guarde-as para consulta futura.
- O aparelho pode ser utilizado por pessoas com capacidades físicas ou mentais reduzidas ou com falta de experiência e conhecimento, mas apenas se tiverem supervisão ou receberem instruções relativas ao uso seguro do aparelho e compreenderem os perigos envolvidos.
- Este aparelho não deve ser utilizado por crianças.
- Não deixe o aparelho sem supervisão durante a utilização.
- Permita que o motor descanse 1 minuto entre cada utilização.
- Exerça os devidos cuidados ao manusear e limpar as lâminas e discos visto que são muito afiados. A utilização incorreta das lâminas pode causar ferimentos.
- Evite colocar o copo ou a jarra na base do motor enquanto estiver a trabalhar.
- Não opere sem qualquer ingrediente no copo ou na jarra.
- Nunca tente operar com lâminas danificadas ou com utensílios ou objetos estranhos dentro do copo ou jarra.
- Não coloque o copo ou a jarra em calor ou frio extremo, por exemplo, colocando uma jarra fria em água quente, ou vice-versa.
- A tampa deve estar fixa à jarra antes da operação para garantir que o conteúdo não sai, salpica ou transborda.
- Não remova a jarra da base do motor enquanto o liquidificador está a ser utilizado.
- Utilize apenas a jarra e tampa do liquidificador, copos, conjunto de lâmina e acessórios que são fornecidos com este liquidificador. O uso de acessórios não fabricados nem especificados pela Sage pode causar o risco de incêndios, choque elétrico ou lesões.

- Não utilize o liquidificador enquanto a mensagem **OVERLOAD PROTECTION** (Proteção de sobrecarga) estiver a piscar no LCD. Caso ocorra, desligue o liquidificador e aguarde 30 minutos até que o motor arrefeça. Uma vez frio, será capaz de utilizar o liquidificador novamente como de costume.
- Tenha cuidado ao colocar líquidos quentes no liquidificador, pois podem ser projetados para fora da jarra devido ao vapor repentino.
- Quando misturar líquidos quentes assegure-se que a tampa interna de medição está na posição correta. A tampa protege de salpicos de líquidos quentes durante a mistura e inclui aberturas concebidas para aliviar a pressão e evitar a acumulação de vapor.
- Cuidado ao remover a tampa depois de misturar líquidos quentes, pois podem formar-se bolsas de vapor no líquido e serem projetadas para fora da jarra.
- Respeite rigorosamente o limite de capacidade reduzida para misturar ingredientes quentes.
- O não cumprimento desta instrução pode provocar ferimentos pessoais por queimaduras com líquidos quentes.
- Nunca misture ingredientes/líquidos quentes utilizando a funcionalidade de mistura a vácuo.
- (A mistura a vácuo é um recurso opcional obtido através da utilização da bomba de vácuo da Sage fornecida em separado).
- Nunca utilize dispositivos suplementares ou acessórios que não sejam fornecidos com este produto ou autorizados pela Sage para utilização neste produto. O não cumprimento desta instrução pode provocar avarias do produto, danos no produto ou constituir até um risco de segurança.
- No caso de acessórios opcionais autorizados pela Sage para utilização neste produto, leia todas as instruções fornecidas com o acessório e as instruções neste folheto.

AVISO AOS CLIENTES EM RELAÇÃO AO ARMAZENAMENTO NA MEMÓRIA

Tenha em atenção que, para servir melhor os nossos clientes, o armazenamento da memória interna foi incorporado no seu aparelho. O armazenamento de memória é constituído por um chip para recolher determinadas informações sobre o seu

aparelho, incluindo a frequência de utilização e o modo como utiliza o aparelho. Em caso de entregar o seu aparelho para reparação, as informações recolhidas do chip permitem-nos reparar o seu aparelho de forma rápida e eficiente. As informações recolhidas também servem como um recurso valioso para desenvolver futuros aparelhos e servir melhor as necessidades dos nossos clientes. O chip não recolhe quaisquer informações relativas às pessoas que utilizam o produto ou a casa onde o produto é utilizado. Se tiver alguma pergunta sobre o chip de armazenamento de memória, contacte-nos em privacy@sageappliances.com.

QUANDO UTILIZAR O ACESSÓRIO PESSOAL DO LIQUIDIFICADOR, NOTE:

Abrir um copo do liquidificador pressurizado pode salpicar os ingredientes ou causar queimaduras/escaldões se o conteúdo estiver quente. Para minimizar o risco de isto acontecer, siga sempre as seguintes instruções:

- Nunca misture ingredientes quentes ou aquecidos. Pare o processo de mistura se o conteúdo aquecer devido ao processo de mistura.

- Nunca misture qualquer ingrediente durante mais de 1 minuto. Misturar durante mais de 1 minuto pode causar o aquecimento dos ingredientes e o vapor pode aumentar a pressão no copo.
- Nunca tente desapertar a lâmina da base do copo quando este estiver pressurizado devido à acumulação de vapor. Deixe arrefecer o copo até à temperatura ambiente antes de desapertar a lâmina cuidadosamente.
- Nunca misture líquidos gaseificados, detergente ou qualquer ingrediente que possa expandir-se ou criar gás.
- Nunca encha o copo acima da capacidade máxima indicada.
- Se ocorrer alguma fuga durante a mistura, pare imediatamente o liquidificador e retire a ficha da tomada. Certifique-se de que o copo do liquidificador não se encontra cheio acima do nível máximo e que não existem quaisquer danos na junta ou no copo. Limpe a fuga com um pano seco e aperte o copo firmemente no mecanismo do liquidificador antes de continuar a misturar.



O símbolo apresentado indica que este aparelho não deve ser eliminado juntamente com os resíduos domésticos normais. Deve ser encaminhado para um centro de recolha de resíduos da autoridade local designado para este fim ou um revendedor que forneça este serviço. Contacte a Câmara Municipal local para obter mais informações.

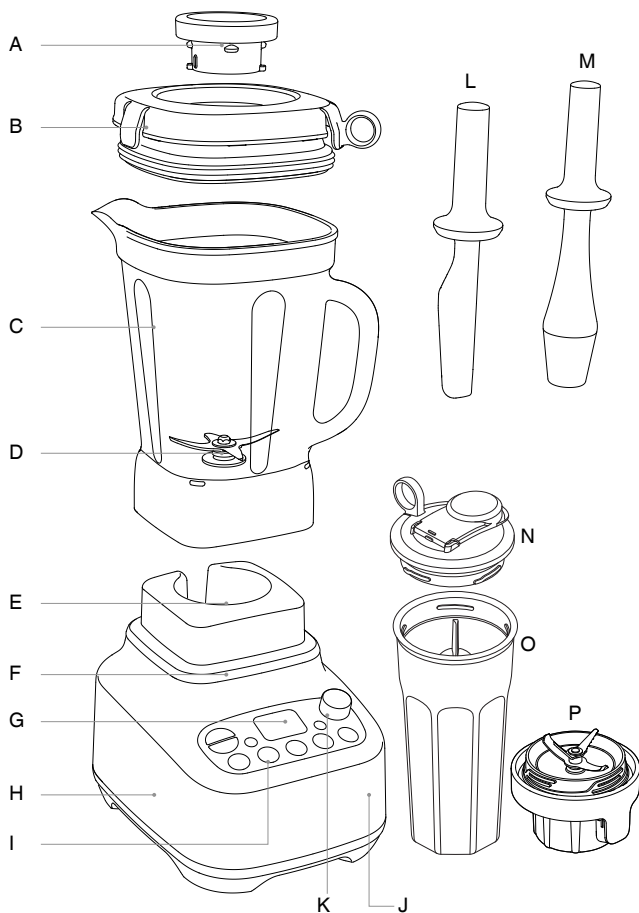


Não coloque a ficha elétrica, o cabo ou o aparelho dentro de água ou qualquer outro líquido para proteger contra choques elétricos.

GUARDE ESTAS INSTRUÇÕES



Componentes



- A. Copo de medição interno
- B. Tampa de alto desempenho
- C. Jarra sem BPA de 2 litros
- D. Sistema de taça e lâmina extra-larga de alta resistência
- E. Acoplamento de metal de alta resistência
- F. Motor de 2400 W de alta resistência
- G. Indicador LCD com temporizador
- H. Base durável

- I. 5 programas predefinidos
- J. Proteção de sobrecarga
- K. Botão de velocidade manual

ACESSÓRIOS

- L. Raspador
- M. Prensa
- N. Tampa de transporte
- O. Copo do liquidificador sem BPA
- P. Sistema de lâminas do liquidificador



Informação de classificação
220-240 V ~ 50-60 Hz 2400 W



Funções

ANTES DA PRIMEIRA UTILIZAÇÃO

Remova qualquer material de embalagem e etiquetas promocionais antes de utilizar o liquidificador Sage® pela primeira vez.

Lave a tampa, a tampa interna, jarra do liquidificador com água morna e detergente com um pano macio (consulte "Cuidados e limpeza"). Enxague e deixe secar devidamente. Não coloque as peças na máquina de lavar louça (à exceção da jarra do liquidificador).

Consulte "Cuidados e limpeza" para obter detalhes adicionais. A base do motor pode ser limpa com um pano macio. Seque devidamente.

INTRODUÇÃO

Modo ready (pronto)

Prima o botão ON | OFF (Ligado/Desligado) para colocar a unidade no modo READY (Pronto).

Hibernação

Após 2 minutos de inatividade, o LCD desliga-se e o botão ON | OFF (Ligado/Desligado) pisca a vermelho.

Após 5 minutos de inatividade, o liquidificador desliga-se. Prima o botão ON | OFF (Ligado/Desligado) para reativar o liquidificador.

RECIPIENTES

Esta unidade tem dois recipientes de mistura. A base do liquidificador deteta automaticamente o recipiente e ajusta os tempos de mistura em programas predefinidos para otimizar os resultados dos alimentos.

Jarra de 2 litros

A jarra é recomendada para volumes grandes até 2 litros e pode ser utilizada em programas predefinidos.

Copo e sistema de lâminas do liquidificador

O copo do liquidificador mistura volumes mais pequenos até 700 ml. A tampa de transporte transforma o copo num copo Take-Away, ideal para misturar bebidas.

Programas predefinidos de PULSE | ICE CRUSH (Impulso | Esmagar gelo), SMOOTHIE (Batidos) e GREEN SMOOTHIE (Batidos vegetais) são ativados. Os programas FROZEN DESERT (Sobremesa gelada) e SOUP (Sopa) não são adequados para utilizar com os acessórios pessoais do liquidificador e os programas predefinidos são desativados.

PAUSE / CANCEL (PAUSA / CANCELAR)

Para mistura manual:

A primeira pressão pausa a velocidade selecionada.

A segunda cancela a velocidade selecionada. Rode o botão para começar a misturar novamente.

Para mistura programada:

A primeira pressão pausa o programa selecionado.

A segunda cancela o programa selecionado. Prima o botão PROGRAM (Programa) para iniciar novamente o programa.



OPERAÇÃO MANUAL

BOTÃO DE CONTROLO DE VELOCIDADE

Rode o botão de controlo de velocidade no sentido dos ponteiros do relógio para selecionar uma das 12 definições de velocidade, de STIR (Mexer) lento até MILL (Triturar) muito rápido.

Para parar de misturar, rode o botão de controlo de velocidade no sentido contrário aos ponteiros do relógio, novamente para READY (Pronto).

O liquidificador é programado para permitir que as velocidades manuais sejam executadas num total de 6 minutos (Jarra de 2 L) ou 30 segundos (Copo de mistura) antes de parar automaticamente.



AVISO

Nunca misture líquidos quentes em ebulição. Permita que a temperatura dos ingredientes arrefeça até à temperatura ambiente antes de colocar na jarra do liquidificador.

PROGRAMAS PREDEFINIDOS

PULSE | ICE CRUSH (Impulso | Esmagar gelo)

Um programa de impulso contínuo concebido para cortar alimentos com consistência uniforme ou esmagar cubos de gelo.

SMOOTHIE (Batido)

Para batidos diários. Uma combinação de velocidades e impulsos concebidos para combinar e insuflar ar nos ingredientes para uma textura suave e cremosa.

GREEN SMOOTHIE (Batido vegetal)

Para misturar frutas/vegetais inteiros numa bebida suave. Uma combinação de perfis de alta velocidade parte as fibras mais rijas em partículas muito finas. Utilize a prensa se os ingredientes ficarem encravados.

FROZEN DESSERT (Sobremesa gelada)

Um programa de alta velocidade para partir frutas/legumes gelados numa sobremesa pronta a servir.

Utilize a prensa para obter melhores resultados.

SOUP (Sopa)

Este programa destina-se exclusivamente a criar uma sopa fria a quente transformando os ingredientes inteiros a temperatura ambiente numa sopa quente e suave. É essencialmente um programa de alta velocidade, mas o programa termina com uma agitação lenta para remover as bolhas de vapor.



NOTA

Alimentos crus, tais como carnes e frutos do mar, precisam de ser cozinhados antes de usar o programa SOUP (Sopa).



AVISO

Não adicione ingredientes quentes quando usa o programa SOUP (Sopa).

CLEAN (Limpar)

Utilize para remover a maioria dos ingredientes das paredes do liquidificador e das lâminas. Adicione 4 copos de água com sabão morna à jarra do liquidificador e prima o botão CLEAN (Limpar). Para ingredientes mais difíceis de limpar, pegajosos ou pesados, adicione ½ colher de chá de detergente líquido para limpeza extra. Para melhores resultados, limpe a jarra do liquidificador desta maneira imediatamente após a utilização.



Dicas

- A tampa de medição interna pode ser removida e os óleos/líquidos ou outros ingredientes adicionados durante a mistura. Deve ter um cuidado extremo dependendo da mistura e da velocidade de operação, pois podem sair salpicos da tampa. Não é aconselhável remover a tampa de medição interna quando misturar líquidos quentes.
- Não exceda a marca máxima quando adicionar alimentos e líquidos no liquidificador.
- Utilize o botão PULSE | ICE CRUSH (Impulso | Esmagar gelo) quando os alimentos são muito espessos ou grosseiros para que circulem na jarra do liquidificador.
- Os acessórios do raspador e da prensa podem ser usados durante a mistura retirando a tampa de medição interna. Assegure-se sempre de que a tampa principal permanece fixa no devido lugar.
- Os ingredientes podem colar-se aos lados da jarra do liquidificador. Para empurrar os alimentos para as lâminas com a tampa principal (tampa interna removida), utilize a prensa ou o raspador fornecido para raspar as paredes laterais da jarra e continue a misturar.
- Se alguma humidade ou líquido cair na parte superior da base do motor durante a mistura, desligue o liquidificador e desligue-o da tomada. Retire a jarra do liquidificador e limpe a base do motor imediatamente com um pano seco ou um papel de cozinha.
- A quantidade ideal de cubos de gelo que o liquidificador pode processar na jarra é de 250 g (aprox. 1 bandeja de gelo normal).
- Quando o liquidificador estiver a trabalhar durante 6 minutos no modo manual com a jarra ou 30 segundos com o copo, será desligada automaticamente. Esta é uma medida de segurança para proteger o motor.
- As misturas mais espessas fazem melhor puré se a jarra estiver $\frac{1}{4}$ a $\frac{1}{2}$ cheia.
- Não utilize utensílios de metal, pois podem danificar as lâminas ou a jarra do liquidificador.
- Para remover qualquer alimento que não possa ser facilmente raspado das lâminas, volte a colocar a tampa e coloque o liquidificador a alta velocidade durante 4 a 5 segundos para fazer rodar os alimentos por baixo das lâminas.



Tabela de mistura (para a jarra)

ALIMENTOS	PREPARAÇÃO E USO	QUANTI-DADE	FUNÇÕES	TEMPO
Grãos e sementes	Moer em farinha. Utilize nas massas de pão, pizza, bolos, muffins e massas com farinha.	250 g - 420 g 1-2 copos	Velocidade MILL (Moer)	20-30 segundos
Leguminosas secas e milho, por ex., grãos de soja, grão de bico	Moer em farinha. Utilize em combinação com farinha simples ou com fermento para pães, bolos, muffins, panquecas.	250 g - 420 g 1-2 copos	Velocidade MILL (Moer)	20-30 segundos
Especiarias	Para fazer especiarias moídas. Utilize especiarias inteiras, exceto os paus de canela que precisam de ser partidos em metades. Armazene em recipientes herméticos.	Mínimo de ¼ de copo 8-16 paus de canela	Velocidade MILL (Moer)	20-30 segundos
Frutos secos crus	Para fazer farinha de frutos secos. Utilize em bolos, biscoitos e muffins.	100 g - 400 g ½ - 2 copos	Velocidade MILL (Moer)	15-30 segundos
Frutos secos tostados	Para fazer manteigas e pastas de frutos secos.	100 g - 400 g ½-2 copos	Velocidade BLEND (Misturar), utilize a prensa	20-30 segundos
Açúcar branco	Moer para fazer açúcar em pó.	100-200 g 1-2 copos	Velocidade MILL (Moer)	15-30 segundos
Biscoitos/bolachas	Parta os biscoitos/bolachas ao meio. Misture para fazer migalhas. Utilize para as bases de cheesecake.	250 g	PULSE ICE CRUSH (Impulso Esmagar gelo)	20-30 segundos
Pão ralado	Remova as crostas. Corte o pão em cubos de 2½ cm. Utilize em revestimentos de migalhas, recheios ou em almôndegas e rissóis de carne.	120-400 g (até 5 fatias)	Velocidade MIX (Misturar)	20-30 segundos
Maionese	Misture as gemas de ovo, mostarda e vinagre ou sumo de limão. Adicione o óleo lentamente pela tampa. Utilize para temperos.	Até 4 gemas e 2 chávenas de óleo.	Velocidade MIX (Misturar)	1 min 30 seg

ALIMENTOS	PREPARAÇÃO E USO	QUANTI-DADE	FUNÇÕES	TEMPO
Queijos duros (como parmesão e pecorino)	Corte em cubos de 3 cm. Utilize em molhos cremosos, pratos de massa.	Máximo de 250 g	Velocidade CHOP (Cortar)	15–25 segundos
Natas	Bata as natas em castelo. Adicione açúcar ou baunilha antes de misturar, se desejar.	300–600 ml	Velocidade CHOP (Cortar)	25–60 segundos
Vegetais crus	Descasque e corte em cubos de 2 cm. Finamente picado. Utilize para recheios, bolonhesa e guisados.	200 g	Velocidade CHOP (Cortar)	4–6 segundos



ALIMENTOS	PREPARAÇÃO E USO	QUANTI-DADE	FUNÇÕES	TEMPO
Mistura de coco	Cocos Fatiados Tamanho: não mais do que 25 mm Uso: bebidas	600 + água 1300	Velocidade MILL (Moer)	10 segundos
Sopas misturadas	Resfriar à temperatura ambiente	700 ml	Velocidade da sopa	30 segundos



ALIMENTOS	PREPARAÇÃO E USO	QUANTI-DADE	FUNÇÕES	TEMPO
Bebida batida	Leite, Frutas frescas picadas, Logurte, Sorvete	Máximo 400 ml	SMOOTHIE	30 segundos

Moagem a seco

Note que a moagem de ingredientes duros como especiarias, frutos secos, açúcar, café, grãos, etc., irá causar arranhões e opacidade nas superfícies internas da jarra. Este é um resultado cosmético da moagem destes tipos de ingredientes e não afeta o desempenho da jarra.

Evite o excesso de processamento de especiarias. Os óleos encontrados nas especiarias quando combinados com o calor podem danificar a superfície da jarra.

Esta tabela de mistura deve ser usada apenas como orientação.



Resolução de problemas

PROBLEMA	SOLUÇÃO FÁCIL
O motor não arranca ou a lâmina não roda	<ul style="list-style-type: none">• Verifique se a jarra e a tampa do liquidificador estão firmemente no lugar.• Verifique se a ficha do cabo de alimentação está inserida na tomada elétrica.• Verifique se o botão ON OFF e o botão da função selecionada estão acesos.
Os alimentos são cortados irregularmente	<ul style="list-style-type: none">• Utilize a prensa ao misturar para ajudar a movimentar os ingredientes.• Reduza a velocidade para que as lâminas consigam agarrar a comida.• Isto pode acontecer quando está a ser misturada muita comida ao mesmo tempo. Tente menores quantidades e faça por partes, se necessário.• Os ingredientes podem ser muito grandes. Tente cortar em pedaços mais pequenos. Para melhores resultados, os ingredientes devem estar cortados em pedaços não maiores do que 2 cm.
A comida é cortada muito fina ou está aguada	<ul style="list-style-type: none">• Tente misturar durante pouco tempo ou a velocidades mais lentas.• Utilize a função PULSE ICE CRUSH (Impulso Esmagar gelo) para melhor controlo.
O alimento cola na lâmina e na jarra	<ul style="list-style-type: none">• A mistura pode estar demasiado espessa. Tente adicionar mais líquido e/ou use uma velocidade menor para misturar
Alimento preso debaixo das lâminas	<ul style="list-style-type: none">• Para remover qualquer alimento que não possa ser facilmente raspado das lâminas, volte a colocar a tampa e coloque o liquidificador a alta velocidade durante 4 a 5 segundos para fazer rodar os alimentos por baixo das lâminas.
Sobrecarga do liquidificador	<ul style="list-style-type: none">• Este liquidificador tem uma funcionalidade de proteção do motor para proteger contra o aquecimento excessivo e/ou uso excessivo de corrente. Quando ativada, OVERLOAD PROTECTION (Proteção de sobrecarga) pisca no LCD e o liquidificador ficará inoperável.• Se ativada, desligue o liquidificador pressionando o botão ON OFF (Ligado/Desligado) no painel de controlo, e desligue na tomada de parede. Aguarde alguns minutos e volte a ligar a tomada e o liquidificador.• Se OVERLOAD PROTECTION (Proteção de sobrecarga) ainda estiver a piscar, repita e deixe o liquidificador arrefecer pelo menos 20 a 30 minutos. Uma vez que OVERLOAD PROTECTION (Proteção de sobrecarga) desapareça do ecrã, o liquidificador estará pronto a ser usado novamente.• Recomendamos misturar partes mais pequenas ou cortar ingredientes em pedaços menores.



Cuidados e limpeza

Recipientes e tampas

Para evitar que os alimentos sequem nas lâminas, recipientes e tampas, cumpra estes passos o mais depressa possível após o uso:

- Enxague os recipientes e as tampas para remover a maioria dos ingredientes.

Jarra de 2 litros

- Adicione 1 L de água morna e 1 a 2 gotas de detergente e pressione o botão CLEAN (Limpar).
- Lave a jarra e a tampa novamente e/ou lave-os em separado em água morna com sabão utilizando um pano macio ou escova de garrafa.

Acessórios pessoais do liquidificador

- Todos os acessórios do liquidificador são laváveis na máquina de lavar louça na prateleira superior.
- Para ajudar a remover os resíduos de alimentos das lâminas e das paredes do copo, pode adicionar 250 ml de água fria ao copo do liquidificador e pressionar CLEAN (Limpar).
- Lave depois o copo com água morna.
- Se não ficar limpo, lave à mão com água morna e detergente líquido suave e uma esponja não abrasiva.



AVISO

Existe o risco de pressurização por água quente e/ou detergente. Ao enxaguar o copo do liquidificador usando o ciclo CLEAN (Limpar), nunca adicione água quente ou morna, pois o vapor produzido pode criar uma pressurização perigosa. Não adicione detergente, pois a espuma produzida irá espalhar-se e poderá causar pressurização.



AVISO

Os óleos na casca dos citrinos podem danificar o material da sua jarra e copo do liquidificador se forem expostos durante muito tempo. Limpe sempre a sua jarra e o copo do liquidificador logo após o processamento da casca do citrino.

Base do motor

Limpe a base do motor com um pano suave e humedecido e, sem seguida, seque-a cuidadosamente. Remova quaisquer resíduos de alimentos presentes no cabo de alimentação.

Agentes de limpeza

Não utilize esfregões abrasivos ou produtos de limpeza abrasivos na base do motor ou na jarra, visto que podem riscar a superfície. Utilize apenas água morna e detergente com um pano macio.

Máquina de lavar louça

O liquidificador, o copo, o sistema de lâminas, a prensa, o raspador e todas as tampas podem ser lavados na máquina de lavar louça num ciclo de lavagem normal. A jarra pode ser colocada na prateleira inferior, no entanto, o copo e as tampas do liquidificador apenas na prateleira superior.

Resíduos de alimentos persistentes e odores

Alimentos com um cheiro forte, como alho e peixe e alguns vegetais, como cenouras, podem deixar odores ou manchas.

Jarra de 2 litros

Para remover, limpe a jarra e a tampa usando as instruções de LIMPEZA. Adicione 2 colheres de sopa de bicarbonato de sódio e ½ chávena (125 ml) de vinagre na jarra e deixe a mistura atuar 1 minuto. Esfregue a jarra e a tampa com a mistura usando uma escova macia de lavar louça. Adicione 2 chávenas de água morna e deixe repousar por 5 minutos. Instale a jarra na base do liquidificador. Fixe a tampa e pressione o botão CLEAN (Limpar). Enxague bem a jarra e deixe secar ao ar. Guarde a jarra e a tampa separadas para permitir a circulação de ar.

Copo do liquidificador

Para remover, coloque água morna com detergente até à marca MAX (Máx.). Deixe de molho durante 5 minutos. Lave então com água morna e detergente suave, enxague bem e deixe secar cuidadosamente. Não utilize a função CLEAN (Limpar) para remover manchas e odores difíceis do copo do liquidificador.

Moagem a seco

A moagem de ingredientes duros como especiarias, frutos secos, açúcar, café, grãos, etc., irá causar arranhões e opacidade nas superfícies internas da jarra.

Algumas especiarias e ervas libertam óleos aromáticos que podem descolorar a jarra ou deixar um aroma.

Estes são o resultado cosmético da moagem destes tipos de ingredientes e não afeta o desempenho da jarra.

Armazenamento

Guarde o liquidificador na vertical com o copo misturador montado na base do motor, ou ao lado. Armazene o copo com o sistema de lâminas do liquidificador montado. Não coloque nenhum objeto em cima da máquina. Para permitir a circulação de ar, mantenha-a sem a tampa.



Garantia

GARANTIA LIMITADA DE 10 ANOS

A Sage Appliances fornece uma garantia para este produto para uso doméstico nos territórios especificados de 10 anos a partir da data de compra contra avarias provocadas por defeitos na mão-de-obra e nos materiais. Durante este período da garantia, a Sage Appliances irá reparar, substituir ou reembolsar qualquer produto defeituoso (sob o critério exclusivo da Sage Appliances).

Todos os direitos legais da garantia ao abrigo da legislação nacional aplicável serão respeitados e não serão afetados pela nossa garantia.

Visite www.sageappliances.com para consultar os termos e condições completos da garantia, bem como as instruções sobre como efetuar uma reclamação.

GBR

BRG Appliances Limited
Unit 3.2, Power Road Studios,
114 Power Road, London, W4 5PY

Freephone (UK Landline): 0808 178 1650
Mobile Calls (National Rate): 0333 0142 970

DEU

AUT

Sage Appliances GmbH
Campus Fichtenhain 48, 47807 Krefeld,
Deutschland

Deutschland: 0800 505 3104
Österreich: 0800 80 2551

FRA

Sage Appliances France SAS
Siège social: 66 avenue des Champs
Elysées – 75008 Paris
879 449 866 RCS Paris
France: 0800 903 235

IRE

Ireland
1800 932 369

ITL

Italy
800 909 773

BEL

Belgium
0800 54 155

NLD

Netherlands
0800 020 1741

LUX

Luxembourg
0800 880 72

CHE

Switzerland
0800 009 933

ESP

Spain
0900 838 534

POR

Portugal
0800 180 243

NO

Norway
80 024 976

SE

Sweden
0200 123 797

DK

Denmark
080 820 827

FI

Finland
0800 412 143

Sage®

www.sageappliances.com

Registered in England & Wales No. 8223512
Registered in Germany No. HRB 81309 (AG Düsseldorf)
Registered in France No. 879 449 866 RCS

EN Due to continued product improvement, the products illustrated or photographed in this document may vary slightly from the actual product.

DEU Aufgrund unserer kontinuierlichen Produktverbesserungen kann die hier gezeigte Abbildung geringfügig vom tatsächlichen Produkt abweichen.

FRA En raison de leur amélioration continue, les produits représentés ou photographiés dans le présent document peuvent différer légèrement du produit réel.

ITL A causa del continuo miglioramento dei prodotti, il prodotto descritto o illustrato in questo documento può variare leggermente rispetto al prodotto reale.

NLD Vanwege voortdurende productverbeteringen, kunnen de afgebeelde producten in dit document licht afwijken van het eigenlijke product.

ESP Perfeccionamos nuestros productos continuamente, por lo que el artículo podría diferir ligeramente de la ilustración o la fotografía en este documento.

POR Devido à melhoria contínua dos produtos, os produtos ilustrados ou fotografados neste documento podem variar ligeiramente do produto real.

DK På grund af løbende produktudvikling kan de illustrerede eller fotograferede produkter i dette dokument variere en smule fra det faktiske produkt.

SE På grund av kontinuerlig produktförbättring kan produkterna som visas i illustrationerna och fotografierna i detta dokument skilja sig något från den faktiska produkten.

FI Jatkuvan tuotekehittelyn seurauksena kuvituksen tuotteet eivät välttämättä ole täysin samanlaisia kuin varsinainen tuote.

NO På grunn av kontinuerlig produktutvikling kan produktene som er vist eller avfotografert i dette dokumentet, variere noe fra det faktiske produktet.

Copyright BRG Appliances 2021

BBL920/SBL920 UG6 - C21