

the Fresh & Furious™

BBL620 /W | SBL620 /W



EN QUICK GUIDE

FR GUIDE RAPIDE

IT GUIDA RAPIDA

PT MANUAL RÁPIDO

DE KURZANLEITUNG

NL SNELSTARTGIDS

ES GUÍA RÁPIDA

PL SZYBKI PRZEWODNIK

Sage®



Contents

2	Sage® Recommends Safety First
5	Components
6	Functions
8	Troubleshooting
8	Care & Cleaning
9	Guarantee

SAGE® RECOMMENDS SAFETY FIRST

At Sage® we are very safety conscious. We design and manufacture consumer products with the safety of you, our valued customer, foremost in mind. In addition we ask that you exercise a degree of care when using any electrical appliance and adhere to the following precautions.

IMPORTANT SAFEGUARDS

**READ ALL INSTRUCTIONS
BEFORE USE AND SAVE
FOR FUTURE REFERENCE**

- Remove and safely discard any packaging materials before first use.
- To eliminate a choking hazard for young children, safely discard the protective cover fitted to the power plug.
- This appliance is for household use only. Do not use the appliance for anything other than its intended use. Do not use in moving vehicles or boats. Do not use outdoors. Misuse may cause injury.
- Fully unwind the power cord before operating.
- Position the appliance on a stable, heat resistant, level, dry surface away from the edge and do not operate on or near a heat source such as a hot plate, oven or gas hob.
- Vibration during operation may cause the appliance to move.
- Do not let the power cord hang over the edge of a bench or table, touch hot surfaces or become knotted.
- Always ensure the appliance is turned OFF, unplugged at the power outlet and has been allowed to cool before cleaning, attempting to move or storing.
- Always turn the appliance to the OFF position, switch off at the power outlet and unplug at the power outlet when the appliance is not in use.

- Do not use the appliance if the power cord, plug, or appliance becomes damaged in any way. If damaged and maintenance other than cleaning is required please contact Sage Customer Service or visit sageappliances.com
- Any maintenance other than cleaning should be performed by an authorised Sage® service centre.
- Children should not play with the appliance.
- Cleaning of the appliance should not be carried out by children unless they are 8 years or older and supervised.
- The appliance and its cord should be kept out of reach of children aged 8 years and younger.
- The installation of a residual current safety switch is recommended to provide additional safety when using all electrical appliances. Safety switches with a rated operating current not more than 30mA are recommended. Consult an electrician for professional advice.
- Always ensure the appliance is properly assembled as per instruction before use. Using the appliance without being properly assembled may cause product malfunction, product damage or pose safety risk including personal injury.
- Do not use the appliance on a sink drain board.
- Keep hands, fingers, hair, clothing as well as spatulas and other utensils away from moving or rotating parts during operation.
- Do not use the appliance for anything other than food and/or beverage preparation.
- In order to avoid the possible hazard of the appliance starting by itself due to inadvertent resetting of the overload protection, do not attach an external switching device (such as a timer) or connect the appliance to a circuit that can regularly switch the appliance on and off.
- Carefully read all instructions before operation and save for future reference.
- The appliance can be used by persons with reduced physical or mental capabilities or a lack of experience and knowledge, only if they have been given supervision or instruction concerning use of the appliance in a safe way and understand the hazards involved.
- This appliance shall not be used by children.
- Do not leave the appliance unattended when in use.
- Allow the motor to rest for 1 minute between each use.

- Be careful when handling and cleaning blades, as they are very sharp. Mishandling of the blades may cause injury.
- Avoid putting the cup or jug on the motor base while the motor is still spinning.
- Do not operate without any ingredients in the cup or jug.
- Never attempt to operate with damaged blades, or with utensils, or any foreign objects inside the cup or jug.
- Do not put the cup or jug in extremes of heat or cold, for example placing a cold jug into hot water, or vice versa.
- Lid must be firmly secured to the jug before operation to ensure internal contents do not escape, spray or overflow.
- Do not remove the jug from the motor base while blender is in use.
- Do not use blender while **OVERLOAD PROTECTION** is flashing on the LCD. If this occurs, unplug the blender and wait for 30 minutes until the motor has cooled. Once cooled, you will be able to use the blender as usual again.
- Do not process hot or boiling liquids. Allow to cool before placing into the blender jug.



The symbol shown indicates that this appliance should not be disposed of in normal household waste.

It should be taken to a local authority waste collection centre designated for this purpose or to a dealer providing this service. For more information, please contact your local council office.



To protect against electric shock, do not immerse the power plug, cord or appliance in water or any liquid.

SAVE THESE INSTRUCTIONS



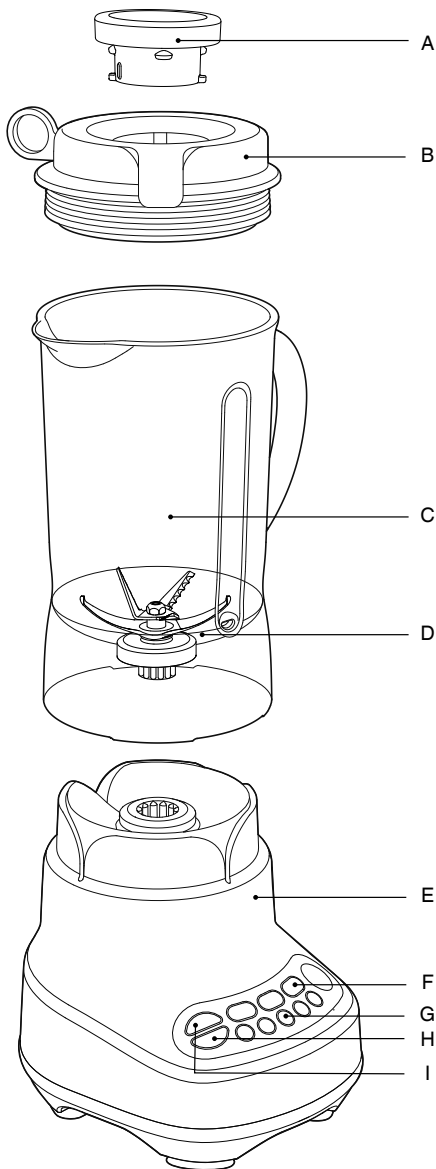
Components

- A. Inner measuring cup
- B. Sage® Assist™ lid
- C. 1.5 litre BPA-free Eastman Tritan™ jug
Impact resistant, shatter proof,
and dishwasher safe.
- D. Kinetix® blade and bowl system
- E. Blender Base
- F. SMOOTHIES and
AUTO PULSE/ICE CRUSH programs
- G. 5 electronic speeds
- H. Auto Clean Function
- I. On / Off button - powers the unit into
READY mode.



NOTE

Compatible with the Vac Q™ (BBL002)
– sold separately.



Rating Information

220–240V~ 50-60Hz 1200–1300W



Functions

BEFORE FIRST USE

Before using your Sage® Blender for the first time, remove any packaging material and promotional labels.

Wash the lid, inner lid, blender jug (refer to “Care & Cleaning”) in warm, soapy water with a soft cloth. Rinse and dry thoroughly. Do not place parts in the dishwasher (with the exception of the blender jug).

Please refer to the “Care & Cleaning” Section for further details. The motor base can be wiped with a damp cloth. Dry thoroughly.

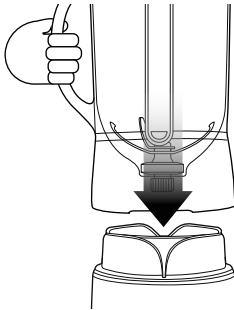
ASSEMBLING AND ATTACHING THE BLENDER

Step 1

Place the motor base on a flat, dry surface such as a counter-top. Ensure that the motor base is turned off at the ON / OFF button and the power cord is unplugged.

Step 2

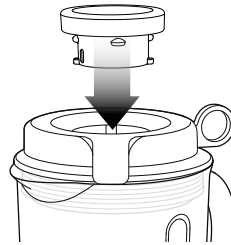
With the blender jug in the upright position place it on the motor base. The handle of the blender can be positioned to the left or right hand side of the appliance.



Step 3

Add food or liquid into the blender jug ensuring not to exceed the ‘MAX’ mark.

Place the blender lid firmly into position on the top of the blender jug. Insert the clear inner measuring lid into the blender lid and turn clockwise to lock into position.



Your Sage® Blender features a Sage® Assist™ Lid. This allows the lid to fit tightly onto the blender jug, avoiding displacement during operation. The ring pull design allows the user to easily remove the lid with a simple leverage action.

Step 4

Plug power cord into a 220–240V power outlet and turn on.

Step 5

Press the ON / OFF button on the far left of the control panel to turn the blender on.

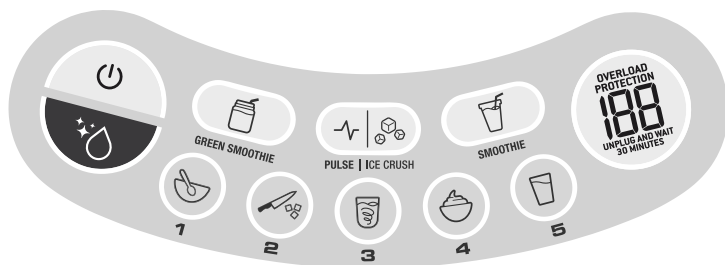
The ON / OFF button will illuminate and flash. The LCD timer screen will illuminate with ‘00’ displayed.

- Flashing light indicates ready to operate. Avoid any contact with moveable parts while in operation.
- Do not fill the blender jug above the ‘MAX’ line. When the blender jug is filled at or near the ‘MAX’ line place one hand on the blender lid to avoid displacement of the lid during operation.



WARNING

Oils in citrus rind can damage the material of your blender jug if being exposed to it for a longer period. Always clean your blender jug immediately after processing citrus rind.



MANUAL SPEED SELECTION ON / OFF

The ON / OFF button powers the unit into READY mode.

ELECTRONIC SPEED CONTROL

There are 5 electronic speed buttons from MIX through to LIQUIFY.

MIX combines more delicate foods with a folding motion, and is good for combining wet and dry ingredients.

LIQUIFY is the fastest setting, and is ideal for breaking down ingredients to make cocktails and other finely blended mixtures.

Select the required speed (1 to 5) by pressing the corresponding speed button. The blender will start to operate and the selected speed button will illuminate. The ON / OFF button will illuminate and cease to flash.

The LCD timer screen will start counting up in one second increments until 120 seconds is reached.



NOTE

Operate the blender only for the appropriate amount of time required – do not over blend.

When 120 seconds is reached, the blender will automatically stop blending and the selected speed button illumination will go out.

The ON / OFF button will illuminate and flash. After a few seconds the LCD timer screen will revert to '00'.

- The Sage® Blender will automatically stop blending after 120 seconds. This is a safety feature and restricts wear on the motor.
- The speed can be changed at any time during the blending process. Each time a new speed is selected its button will illuminate and the previous speed button illumination will go out. The number of seconds on the LCD timer screen will continue to count upwards to 120 seconds unless interrupted.

Count-up timer

The blender timer counts up in seconds as it blends on one of the 5 electronic speeds from MIX to LIQUIFY. When using the timer this way, the blender will stop after 2 minutes.

PRESET PROGRAMS

Your Sage® Blender features three additional functions, 'AUTO PULSE/ICE CRUSH', 'GREEN SMOOTHIE' and 'SMOOTHIE'. These three pre-programmed cycles automatically adjust the blending time and speeds to optimise blending results. The maximum amount of ice cubes the blender can blend at any one time is 1 standard ice tray or 250g. Select the required function by pressing the corresponding function button. The blender will start to operate and the selected function button will illuminate. The ON / OFF button will illuminate and stop flashing. The LCD timer screen will start counting down in one second increments until '00' is displayed.

AUTO CLEAN

Use to remove most of the ingredients off the blender walls and blades. Add 2 cups warm soapy water, and press the clean button.

For harder to clean, sticky or thick ingredients, add ½ teaspoon of dish liquid detergent for extra cleaning power. For best results, clean the blender jug this way immediately after use.



NOTE

If the blender is running and a different button is pressed, the speed will automatically switch to that program without stopping.



WARNING

Never place anything other than food and liquids in the blender while the motor is running.



NOTE

Use the PULSE button when the food that is being processed is too thick or coarse to circulate within the blender jug.

At the end of use, always ensure the blender is turned off by pressing the ON / OFF button on the control panel. Then unplug the cord. Ensure the motor and blades have completely stopped before attempting to move the appliance, or when the Sage® Blender is not in use and before disassembling, cleaning and storing.



Troubleshooting

PROBLEM	EASY SOLUTION
Motor doesn't start or blade doesn't rotate	<ul style="list-style-type: none">• Check the blender jug and lid are securely in place.• Check the ON / OFF button and selected function button is illuminated.• Check that the power plug is properly inserted into the power outlet.
Food is unevenly chopped	<ul style="list-style-type: none">• This can happen when too much food is being blended at one time. Try a smaller amount, and work in batches if necessary.• The ingredients may be too large. Try cutting into smaller pieces. For best results, ingredients should be in pieces no larger than 2cm.
Food is chopped too fine or is watery	<ul style="list-style-type: none">• Try blending for shorter period of time. Use the PULSE function for better control.
Food sticks to blade and jug	<ul style="list-style-type: none">• The mixture may be too thick. Try adding more liquid and/or using a slower speed for blending.
Blender overloaded (all lights flashing)	<ul style="list-style-type: none">• This blender has overload protection to prevent damage to the motor. OVERLOAD PROTECTION will flash on the LCD. Unplug and allow the blender to cool down for 30 minutes. Once cooled, you will be able to use the blender as usual again.• We recommend blending in smaller batches, or cutting ingredients into smaller batches.



Care & Cleaning

Jug and lid

In order to keep your Jug clean and avoid food drying on the blades and jug, follow the below steps as soon as possible after use

- Rinse most of the ingredients off the jug and lid.
- Fill the jug with 500ml of warm water and press the AUTO CLEAN button. If thick or sticky ingredients require extra cleaning power add a few drops of dish liquid detergent.
- Rinse the jug and lid again and/or wash separately in warm soapy water with a soft cloth or bottle brush.
- It is most effective to clean the jug immediately after use.

Motor base

To clean the motor base, wipe with a soft, damp cloth then dry thoroughly. Wipe any excess food particles from the power cord.

Cleaning agents

Do not use abrasive scouring pads or cleaners on either the motor base or the jug, as they may scratch the surface. Use only warm soapy water with a soft cloth.

Dishwasher

The blender jug and lid can be washed in the dishwasher on a standard wash cycle. The jug can be placed on the bottom shelf, however the lid and inner measuring cap should be washed on the top shelf only. Be aware that washing parts on a regular base in the dishwasher can shorten the life of them due to prolonged exposure to harsh detergents, hot water and pressure.

Stubborn food stains and odours

Strong smelling foods such as garlic, fish and some vegetables such as carrots may leave an odour or stain on the blender jug and lid. To remove, soak blender jug and lid for 5 minutes in warm soapy water. Then wash with a mild detergent and warm water, rinse well and dry thoroughly. Store jug with the lid off.

Storage

Store your blender upright with the blender jug assembled on the motor base, or beside it. Do not place anything on top. To allow air to circulate, keep the lid off.



Guarantee

2 YEAR LIMITED GUARANTEE

Sage Appliances guarantees this product for domestic use in specified territories for 2 years from the date of purchase against defects caused by faulty workmanship and materials. During this guarantee period Sage Appliances will repair, replace, or refund any defective product (at the sole discretion of Sage Appliances).

All legal warranty rights under applicable national legislation will be respected and will not be impaired by our guarantee. For full terms and conditions on the guarantee, as well as instructions on how to make a claim, please visit www.sageappliances.com.



Note

the Fresh & Furious™



DE KURZANLEITUNG

Sage®



Inhalte

2	Sage® Empfiehlt Sicherheit Geht Vor
6	Bestandteile
7	Funktionen
10	Fehlerbehebung
11	Reinigung & Pflege
12	Garantie

SAGE® EMPFIEHLT SICHERHEIT GEHT VOR

Bei Sage® nehmen wir Sicherheit sehr ernst. Wir stellen die Sicherheit unserer Kunden, d.h. Ihre Sicherheit, an erste Stelle, wenn wir Verbraucherprodukte entwickeln und herstellen. Darüber hinaus möchten wir Sie anhalten, große Sorgfalt walten zu lassen, wenn Sie elektrische Küchengeräte verwenden. Bitte halten Sie die folgenden Vorsichtsmaßnahmen ein.

WICHTIGE VORSICHTSMAS- NAHMEN

LESEN SIE VOR DEM ERSTEN GEBRAUCH DIE GEBRAUCHSANWEISUNG UND BEWAHREN SIE SIE ZUR SPÄTEREN VERWENDUNG AUF.

- Dieses Informationsbuch steht zum Download unter www.sageappliances.com zur Verfügung
- Achten Sie vor dem Anschließen darauf, dass die Anschlussdaten auf dem Typenschild (auf der Unterseite des Geräts) mit denen Ihres Elektronetzes übereinstimmen.
- Entfernen Sie vor dem Gebrauch das Verpackungsmaterial und entsorgen Sie es.
- Entsorgen Sie die Schutzabdeckung des Netzsteckers, da sonst Erstickungsgefahr für Kleinkinder besteht.
- Dieses Gerät ist nur für den häuslichen Gebrauch bestimmt. Alle anderen Anwendungsarten sind unzulässig. Verwenden Sie das Gerät nicht in Fahrzeugen oder auf Schiffen, die sich in Bewegung befinden. Das Gerät ist nicht für den Gebrauch im Außenbereich bestimmt. Bestimmungswidriger

Gebrauch kann zu Verletzungen führen.

- Rollen Sie das Netzanschlusskabel vor Betrieb vollständig ab.
- Stellen Sie das Gerät auf eine stabile, hitzebeständige, ebene, trockene Oberfläche mit Abstand zum Rand, und bedienen Sie es nicht in der Nähe von Hitzequellen wie einem Herd, Ofen oder Gaskochfeld.
- Die Vibration während des Betriebs kann dazu führen, dass sich das Gerät bewegt.
- Achten Sie darauf, dass das Netzkabel nicht über den Rand der Küchentheke oder des Tisches hängt, heiße Oberflächen berührt oder sich verknoten kann.
- Das Gerät muss auf AUS stehen, vom Elektronetz getrennt und abgekühlt sein, bevor es gereinigt, transportiert oder gelagert wird.
- Schalten Sie das Gerät immer aus und ziehen Sie den Netzstecker aus der Steckdose, wenn es sich nicht in Gebrauch befindet.
- Nehmen Sie das Gerät nicht in Betrieb, wenn die Netzanschlussleitung, der Netzstecker oder das Gerät selbst auf irgendeine Weise beschädigt ist. Bei Schäden und Wartungsarbeiten, die über Reinigung hinausgehen, kontaktieren Sie bitte den Sage Kundendienst oder besuchen Sie sageappliances.com
- Reparaturen außer Reinigung sollten nur von einem autorisierten Sage Service-Center durchgeführt werden.
- Lassen Sie Kinder nicht mit dem Gerät spielen.
- Kinder dürfen das Gerät nicht reinigen oder warten, es sei denn, sie sind 8 Jahre alt oder älter und werden ständig beaufsichtigt.
- Kinder unter acht Jahren müssen von dem Gerät und der Netzanschlussleitung ferngehalten werden.
- Die Installation eines Reststromgeräts für alle elektrischen Geräte wird geraten, um zusätzliche Sicherheit zu schaffen. Wir empfehlen Sicherheitsschalter mit einem Betriebsstrom von nicht mehr als 30 mA. Fragen Sie eine Elektrofachkraft um Rat.
- Das Gerät darf nur verwendet werden, wenn es korrekt zusammengebaut ist. Es lässt sich sonst nicht bedienen.
- Verwenden Sie das Gerät nicht auf der Geschirrablage eines Spülbeckens.
- Bei Betrieb halten Sie Hände, Finger, Haare, Kleidung und Küchenutensilien wie Teigschaber von sich bewegenden oder rotierenden Geräteteilen fern.

- Verwenden Sie das Gerät ausschließlich zur Zubereitung von Speisen und/oder Getränken.
- Um das Risiko zu vermeiden, dass sich das Gerät aufgrund eines unbeabsichtigten Zurücksetzens des Überlastschutzes selbst einschaltet, schließen Sie kein externes Schaltgerät (wie einen Timer) an und schließen Sie das Gerät nicht an einen Stromkreislauf an, der das Gerät regulär ein- und ausschalten kann.
- Lesen Sie vor Inbetriebnahme die Gebrauchsanweisung sorgfältig durch und bewahren Sie sie zur späteren Verwendung auf.
- Personen, die aufgrund ihrer physischen oder geistigen Fähigkeiten oder ihrer Unerfahrenheit oder Unkenntnis nicht in der Lage sind, das Gerät sicher zu bedienen, dürfen das Gerät nur unter Aufsicht oder nach vorheriger Anweisung bedienen und nur, wenn sie die Risiken verstehen.
- Das Gerät darf nicht von Kindern bedient werden.
- Lassen Sie das Gerät nie unbeaufsichtigt, wenn es in Gebrauch ist.
- Lassen Sie den Motor nach jedem Gebrauch eine Minute lang ruhen.
- Die Messer vorsichtig handhaben und reinigen – sie sind sehr scharf! Falsche Handhabung kann zu Verletzungen führen.
- Setzen Sie den Behälter nicht auf das Motorgehäuse auf, wenn der Motor sich noch dreht.
- Bedienen Sie das Gerät nie im Leerlauf (ohne Zutaten).
- Verwenden Sie das Gerät nicht, wenn die Messer beschädigt sind, und legen Sie niemals Küchenutensilien oder andere Gegenstände in den Behälter.
- Setzen Sie den Behälter keinem extremen Temperaturwechsel aus, beispielsweise tauchen Sie ihn nicht kalt in heißes Wasser oder umgekehrt.
- Der Deckel muss sicher auf dem Behälter angebracht sein, bevor Sie das Gerät einschalten, damit der Inhalt nicht herauslaufen, herausspritzen oder überfließen kann.
- Nehmen Sie den Behälter nicht während des Betriebs vom Motorgehäuse.

- Pürieren Sie keine heißen oder kochenden Flüssigkeiten. Lassen Sie diese zuerst abkühlen, bevor Sie sie in den Behälter füllen.
- Verwenden Sie den Standmixer nicht, wenn ÜBERLASTSCHUTZ im Display blinkt. In diesem Fall stecken Sie den Mixer aus und warten Sie 30 Minuten, bis der Motor abgekühlt ist. Danach können Sie das Gerät wieder wie gewohnt benutzen.
- Unter schwerer Belastung sollte der Standmixer nicht länger als 1 Minute am Stück laufen. Schwere Belastung ist definiert als: 6 Eiswürfel (120 g), 3 gefrorene Bananenhälften (250 g), 180 g gefrorene Himbeeren, 500 ml Milch, 3 Kugeln Eis (140 g). Mit einer equivalenten oder schwereren Füllung sollte der Mixer nicht länger als 1 Minute am Stück bedient werden.



Das Symbol zeigt an, dass das Altgerät nicht im normalen Restmüll entsorgt werden darf. Nutzen Sie die an Ihrem Wohnort eingerichtete Sammelstelle zur Rückgabe und Verwertung elektrischer Altgeräte, oder bringen Sie sie zurück zu Ihrem Händler, falls möglich. Informieren Sie sich gegebenenfalls bei Ihrer Gemeinde.



Gefahr eines elektrischen Schocks! Tauchen Sie das Gerät, das Netzkabel oder den Netzstecker nicht in Wasser oder eine andere Flüssigkeit.

DIESE ANLEITUNG AUFBEWAHREN



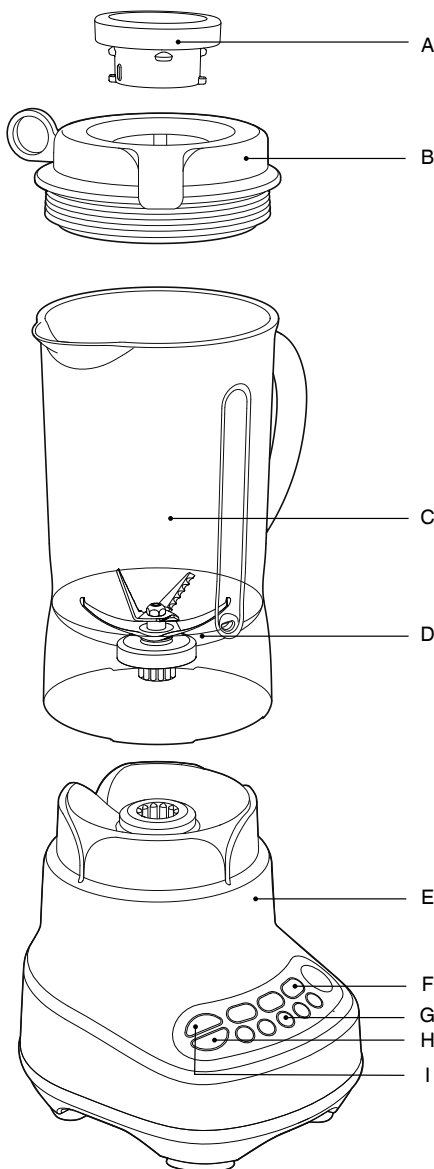
Bestandteile

- A. Innerer Messdeckel
- B. Sage® Assist™-Deckel
- C. 1,5 Liter BPA-freier Eastman Tritan™ Behälter. Schlagfest, bruchsicher und spülmaschinenfest.
- D. Kinetix® Messer- und Behältersystem
- E. Motorgehäuse
- F. Programme SMOOTHIES und AUTO PULSIER / ICE CRUSH
- G. 5 elektronische Geschwindigkeiten
- H. Automatische Reinigungsfunktion
- I. Ein-/Aus-Taste – schaltet das Gerät in den Bereitschaftsmodus.



HINWEIS

Kompatibel mit Vac Q™ (BBL002)
– separat erhältlich.



Leistungsfähigkeit
220–240V~ 50-60Hz 1200–1300W



Funktionen

VOR DEM ERSTEN GEBRAUCH

Entfernen Sie vor dem ersten Gebrauch des Sage® Standmixers das Verpackungsmaterial und die Werbeaufkleber.

Waschen Sie den Deckel, inneren Deckel und Behälter in warmem Seifenwasser mit einem weichen Tuch (siehe „Reinigung und Pflege“). Gut abspülen und trocknen. Waschen Sie die Teile nicht in der Geschirrspülmaschine (mit Ausnahme des Behälters).

Weitere Informationen finden Sie im Abschnitt „Reinigung & Pflege“. Das Motorgehäuse kann mit einem feuchten Tuch abgewischt werden. Gut abtrocknen.

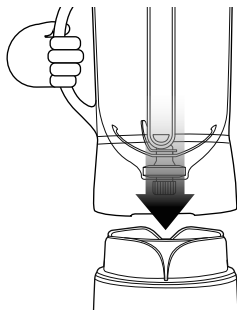
AUFSTELLHINWEISE

1. Schritt

Stellen Sie das Motorgehäuse auf eine flache, trockene Oberfläche wie zum Beispiel eine Küchentheke. Achten Sie darauf, dass das Gerät an der EIN- / AUS-Taste ausgeschaltet und ausgesteckt ist.

2. Schritt

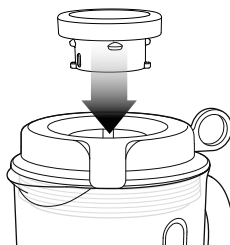
Setzen Sie den Behälter aufrecht auf das Motorgehäuse. Der Griff kann nach rechts oder nach links zeigen.



3. Schritt

Füllen Sie den Behälter bis maximal zur MAX-Markierung.

Setzen Sie den Deckel fest auf den Behälter auf. Setzen Sie den durchsichtigen inneren Messdeckel in den Deckel ein und drehen Sie ihn nach rechts, bis er einrastet.



Ihr Sage® Standmixer hat einen Sage® Assist™-Deckel. Dieser sorgt dafür, dass der Deckel den Behälter dicht verschließt und sich während der Bedienung nicht öffnet. Mithilfe des Ringgriffs kann man den Deckel ganz einfach mit einer Hebelbewegung abheben.

4. Schritt

tecken Sie den Netzstecker in eine 220–240 V Steckdose.

5. Schritt

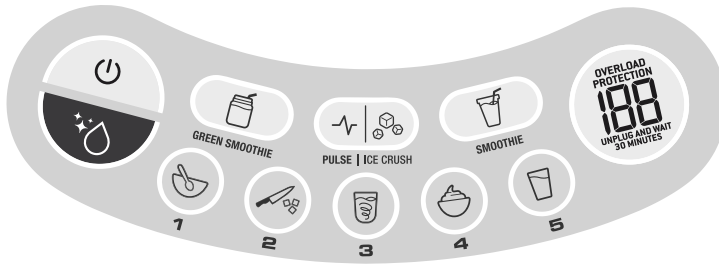
Schalten Sie den Standmixer mit der EIN- / AUS-Taste ganz links auf dem Bedienfeld ein. Die EIN- / AUS-Taste leuchtet auf und blinkt. Die LCD-Zeit Anzeige leuchtet mit der Anzeige 00.

- Wenn das Licht blinkt, ist das Gerät betriebsbereit. Vermeiden Sie während der Bedienung jede Berührung mit sich bewegenden Teilen.
- Füllen Sie den Behälter bis maximal zur MAX-Markierung. Wenn der Behälter bis zur MAX-Markierung gefüllt ist, legen Sie eine Hand auf den Deckel, wenn Sie mixen, damit er sich nicht öffnen kann.



WARNUNG

Zitrusöle können das Material des Standmixers beschädigen, wenn es längere Zeit mit ihnen in Berührung kommt. Reinigen Sie deshalb den Behälter unverzüglich nach der Verarbeitung von Zitruschalen.



MANUELLE GESCHWINDIGKEITSEINSTELLUNG EIN / AUS

Die EIN- / AUS-Taste schaltet das Gerät BETRIEBSBEREIT.

ELEKTRONISCHE GESCHWINDIGKEITSKONTROLLE

Das Gerät hat 5 elektronische Geschwindigkeitstasten von MIXEN bis VERFLÜSSIGEN.

MIXEN kombiniert delikateres Lebensmittel mit einer Faltaktion und eignet sich gut für die Vermischung von feuchten und trockenen Zutaten.

VERFLÜSSIGEN ist die schnellste Einstellung und ist ideal zum Zerkleinern von Zutaten für Cocktails und andere feinpürierte Mischungen.

Drücken Sie auf die entsprechende Taste, um die gewünschte Geschwindigkeit (1 bis 5) einzustellen. Der Standmixer startet und die gewählte Geschwindigkeitstaste leuchtet. Die EIN- / AUS-Taste hört auf zu blinken und leuchtet.

Die LCD-Zeitanzzeige zählt in 1-Sekunden-Schritten aufwärts, bis 120 Sekunden erreicht sind.



HINWEIS

Lassen Sie den Standmixer nur so lange wie nötig laufen – Zutaten nicht überpürieren.

Wenn 120 Sekunden abgelaufen sind, stoppt der Standmixer automatisch, und die Beleuchtung der Geschwindigkeitstaste erlischt.

Die EIN- / AUS-Taste leuchtet und blinkt.

Nach ein paar Sekunden erscheint 00 in der LCD-Zeitanzzeige.

- Der Sage® Standmixer schaltet sich nach 120 Sekunden Mixen automatisch ab. Dies ist eine Sicherheitsvorkehrung und verhindert eine übermäßige Beanspruchung des Motors.

- Die Geschwindigkeit kann zu jeder Zeit während des Betriebs geändert werden. Jedes Mal, wenn eine neue Geschwindigkeit gewählt wird, leuchtet die entsprechende Taste und die Beleuchtung der vorher gewählten Taste erlischt. Die LCD-Zeitanzzeige zählt weiterhin die Sekunden aufwärts bis 120 Sekunden, es sei denn, das Gerät wird angehalten.

Timer

Der Timer des Standmixers zählt in Sekunden aufwärts, wenn Sie ihn mit einer der 5 elektronischen Geschwindigkeiten von MIXEN bis VERFLÜSSIGEN bedienen. Wenn Sie den Timer auf diese Weise verwenden, stoppt der Standmixer automatisch nach 2 Minuten.

VOREINGESTELLTE PROGRAMME

Der Sage® Standmixer hat drei weitere Funktionen: AUTO PULSIER / ICE CRUSH, GRÜNER SMOOTHIE und SMOOTHIE. Diese drei voreingestellten Programme passen die Mixzeit und Geschwindigkeit automatisch an, um optimale Ergebnisse zu erzielen. Die maximale Anzahl an Eiswürfeln, die der Standmixer auf einmal verarbeiten kann, ist der Inhalt einer Eiswürfelschale oder 250 g. Wählen Sie die gewünschte Funktion mit der entsprechenden Taste aus. Der Mixer startet und die gewählte Taste leuchtet. Die EIN- / AUS-Taste leuchtet und hört auf zu blinken. Die LCD-Zeitanzzeige zählt in 1-Sekunden-Schritten rückwärts, bis 00 im Display erscheint.

AUTO-REINIGUNG

Funktion zum Entfernen von Speiseresten von den Seitenwänden und Messern. Gießen Sie 500 ml warmes Seifenwasser in den Behälter und drücken Sie auf die Reinigungstaste.

Um hartnäckigere, klebrige oder dicke Speisereste zu entfernen, fügen Sie ½ Teelöffel Geschirrspülmittel hinzu. Sie erzielen die besten Ergebnisse, wenn Sie den Behälter unmittelbar nach Gebrauch auf diese Weise reinigen.



HINWEIS

Wenn eine andere Taste gedrückt wird, während der Mixer läuft, schaltet die Geschwindigkeit automatisch auf das neue Programm um, ohne zu stoppen.



WARNUNG

Sie dürfen den Standmixer mit nichts außer Lebensmitteln und Flüssigkeiten füllen, wenn der Motor läuft.



HINWEIS

Benutzen Sie die PULSIER-Taste, wenn die zu verarbeitenden Speisen zu dick oder zu grob sind, um im Behälter umgewälzt zu werden.

Schalten Sie das Gerät nach jedem Gebrauch mit der EIN- / AUS-Taste auf dem Bedienfeld aus und ziehen Sie den Netzstecker aus der Steckdose.

Achten Sie darauf, dass der Motor und die Messer vollständig zum Stillstand gekommen sind, bevor Sie den Sage® Standmixer bewegen, und bevor Sie ihn auseinanderbauen, reinigen oder lagern, wenn er nicht in Gebrauch ist.



Fehlerbehebung

PROBLEM	EINFACHE LÖSUNG
Der Motor startet nicht oder die Messereinheit dreht sich nicht	<ul style="list-style-type: none">• Prüfen Sie, ob der Behälter und der Deckel richtig aufgesetzt sind.• Prüfen Sie, ob die EIN- / AUS-Taste und die gewählte Funktionstaste leuchten.• Prüfen Sie, ob der Netzstecker richtig eingesteckt ist.
Zutaten werden ungleichmäßig zerkleinert	<ul style="list-style-type: none">• Das kann passieren, wenn eine zu große Menge an Zutaten auf einmal verarbeitet wird. Reduzieren Sie die Menge oder pürieren Sie schrittweise.• Die Zutaten sind möglicherweise zu groß. Schneiden Sie sie in kleinere Stücke. Die Stücke sollten idealerweise nicht mehr als 2 cm groß sein.
Zutaten werden zu fein zerkleinert oder verflüssigt	<ul style="list-style-type: none">• Pürieren Sie die Zutaten kürzere Zeit. Verwenden Sie die PULSIER-Funktion, um mehr Kontrolle zu haben.
Zutaten bleiben an den Messern oder dem Behälter haften	<ul style="list-style-type: none">• Die Mischung ist möglicherweise zu dick. Fügen Sie mehr Flüssigkeit hinzu und/oder verringern Sie die Geschwindigkeit.
Standmixer ist überlastet (alle Lichter blinken)	<ul style="list-style-type: none">• Der Standmixer hat einen Überlastschutz, um zu verhindern, dass der Motor beschädigt wird. ÜBERLASTSCHUTZ blinkt in der LCD-Anzeige. Stecken Sie den Mixer aus und lassen Sie ihn 30 Minuten lang abkühlen. Wenn er abgekühlt ist, können Sie ihn wieder wie gewohnt benutzen.• Wir empfehlen, Zutaten in kleineren Mengen zu pürieren oder in kleinere Stücke zu schneiden.



Reinigung & Pflege

Behälter und Deckel

Um den Behälter sauber zu halten und das Antrocknen von Speiseresten an den Messern und am Behälter zu vermeiden, führen Sie so bald wie möglich nach dem Gebrauch die folgenden Schritte durch:

- Spülen Sie den Behälter und den Deckel ab.
- Füllen Sie den Behälter mit 500 ml warmen Wasser und drücken Sie auf die Taste AUTO-REINIGUNG. Wenn dicke oder klebrige Zutaten immer noch nicht entfernt wurden, fügen Sie ein paar Tropfen Geschirrspülmittel hinzu.
- Spülen Sie den Behälter und den Deckel erneut und/oder waschen Sie sie separat in warmem Seifenwasser mit einer weichen Bürste oder einer Flaschenbürste.
- Es ist am effektivsten, den Behälter unmittelbar nach Gebrauch zu reinigen.

Motorgehäuse

Wischen Sie das Motorgehäuse mit einem weichen, feuchten Tuch ab und trocknen Sie es gut ab. Säubern Sie auch das Netzkabel, falls nötig.

Reinigungsmittel

Verwenden Sie zur Reinigung des Motorgehäuses und des Behälters keine scheuernden harten Schwämme oder Reinigungsmittel. Diese können die Oberfläche zerkratzen. Verwenden Sie nur warmes Wasser mit Spülmittel und ein weiches Tuch.

Geschirrspülmaschine

Der Behälter und Deckel können in der Geschirrspülmaschine in einem Standardwaschzyklus gewaschen werden. Der Behälter kann auf der unteren Schublade gespült werden, der Deckel und der innere Messdeckel jedoch nur auf der oberen Schublade. Denken Sie allerdings daran, dass häufiges Waschen der Teile in der Geschirrspülmaschine aufgrund der starken Reinigungsmittel, des heißen Wassers und des hohen Drucks ihre Lebenszeit verringern kann.

Hartnäckige Verschmutzungen und Gerüche

Einige Lebensmittel wie Knoblauch, Fisch und manche Gemüsesorten wie Karotten können den Behälter und den Deckel verfärben oder Gerüche hinterlassen. Um diese Flecken und Gerüche zu entfernen, legen Sie den Behälter und den Deckel 5 Minuten lang in warmes Seifenwasser. Anschließend die Teile mit warmem Wasser und mildem Spülmittel waschen, gut abspülen und abtrocknen. Lagern Sie den Behälter offen ohne Deckel.

Aufbewahrung

Lagern Sie den Standmixer aufrecht mit dem Behälter auf dem Motorgehäuse oder daneben. Stellen Sie nichts anderes auf das Motorgehäuse. Lassen Sie den Deckel offen, um den Behälter zu belüften.



Garantie

2 JAHRE BESCHRÄNKTE GARANTIE

Sage Appliances gibt auf dieses Produkt für den häuslichen Gebrauch in bestimmten Gebieten eine Garantie über 2 Jahre ab Kaufdatum für Mängel, die durch fehlerhafte Verarbeitung und Materialien verursacht wurden. Während dieser Garantiezeit wird Sage Appliances jedes fehlerhafte Produkt reparieren, ersetzen oder das Geld zurückerstatten (nach eigenem Ermessen von Sage Appliances).

Alle gesetzlichen Gewährleistungsrechte nach geltendem nationalem Recht werden beachtet und durch unsere Garantie nicht beeinträchtigt. Die vollständigen Garantiebestimmungen und -bedingungen sowie Hinweise zur Geltendmachung von Ansprüchen finden Sie unter www.sageappliances.com.

the Fresh & Furious™



FR GUIDE RAPIDE

Sage®



Table des matières

2	Sage® recommande la sécurité en premier
5	Composants
6	Fonctions
8	Dépannage
9	Entretien et nettoyage
10	Garantie

SAGE® RECOMMANDE LA SÉCURITÉ EN PREMIER

Chez Sage®, la sécurité est une priorité. Nous concevons et fabriquons des produits consommateurs en mettant la sécurité de nos clients importants, c'est-à-dire vous, au premier plan. Nous vous demandons également de faire attention lorsque vous utilisez un appareil électrique et de respecter les consignes suivantes.

DISPOSITIFS IMPORTANTES DE SÉCURITÉ

LISEZ TOUTES LES
INSTRUCTIONS AVANT
UTILISATION ET CONSERVEZ-
LES POUR RÉFÉRENCE
ULTÉRIEURE

- Une version téléchargeable de ce document est également disponible sur sageappliances.com.

- Avant une première utilisation, assurez-vous que l'alimentation électrique est identique à celle illustrée sur l'étiquette en dessous de l'appareil.
- Retirez et jetez de façon sûre tout emballage avant la première utilisation.
- Pour éviter tout risque d'étouffement chez les jeunes enfants, jetez de manière sûre le couvercle de protection situé sur la prise d'alimentation.
- Cet appareil est destiné à un usage domestique uniquement. N'utilisez pas l'appareil pour toute autre fin que son utilisation prévue. Ne l'utilisez pas sur un bateau ou dans des véhicules en mouvement. Ne l'utilisez pas en extérieur. Une mauvaise utilisation peut engendrer des blessures.
- Déroulez entièrement le cordon d'alimentation avant utilisation.
- Placez l'appareil sur une surface stable, résistante à la chaleur, à niveau et sèche, éloigné du bord et n'utilisez pas l'appareil sur ou à proximité d'une source de chaleur (plaque chauffante, four ou cuisinière au gaz).
- Des vibrations pendant l'utilisation peuvent engendrer un déplacement de l'appareil.
- Ne laissez pas le cordon d'alimentation suspendu au bord d'un banc ou d'une table, toucher des surfaces chaudes ou se nouer.
- Assurez-vous toujours que l'appareil est hors tension, débranché de la prise électrique

et qu'il a refroidi avant de le nettoyer, de le déplacer ou de l'entreposer.

- Assurez-vous toujours que l'appareil est hors tension, éteint et débranché de la prise électrique lorsqu'il n'est pas utilisé.
- N'utilisez pas l'appareil si le cordon d'alimentation, la prise ou l'appareil est endommagé de quelque manière que ce soit. En cas de dommages et qu'un autre entretien que le nettoyage est nécessaire, veuillez contacter le service client Sage ou consulter la page sageappliances.com.
- Tout entretien autre que le nettoyage doit être réalisé par un centre de services Sage® agréé.
- Les enfants ne doivent pas jouer avec l'appareil.
- Le nettoyage de l'appareil ne doit pas être effectué par des enfants, sauf s'ils ont au moins 8 ans et s'ils sont sous la surveillance d'un adulte.
- L'appareil et son cordon doivent être conservés hors de la portée des enfants de 8 ans et moins.
- L'installation d'un commutateur de sécurité de courant résiduel est recommandée pour fournir une sécurité supplémentaire lors de l'utilisation de tous les appareils électriques. Les commutateurs de sécurité avec un courant de fonctionnement nominal non supérieur à 30 mA sont recommandés. Consultez un électricien pour obtenir des conseils professionnels.
- Assurez-vous toujours que l'appareil est correctement assemblé conformément aux instructions avant utilisation. L'utilisation de l'appareil sans qu'il soit correctement assemblé peut provoquer un dysfonctionnement du produit, des dommages au produit ou engendrer un risque de sécurité, notamment une blessure corporelle.
- N'utilisez pas l'appareil sur l'égouttoir d'un évier.
- Conservez vos mains, doigts, cheveux, vêtements, mais aussi les spatules et autres ustensiles éloignés des pièces amovibles ou rotatives lors du fonctionnement.
- N'utilisez pas l'appareil pour toute autre fin qu'une préparation alimentaire et/ou de boissons.
- Afin d'éviter tout risque que l'appareil ne démarre seul en raison de la remise en marche involontaire de la protection contre les surcharges, ne connectez pas de dispositif de commutation supplémentaire externe (comme un minuteur) ou ne branchez pas l'appareil à un circuit pouvant régulièrement mettre l'appareil sous tension et hors tension.
- Lisez soigneusement toutes les instructions avant utilisation et conservez-les pour référence ultérieure.
- L'appareil peut être utilisé par des personnes aux capacités mentales ou physiques réduites ou ayant peu d'expérience et

de connaissances uniquement sous une supervision ou s'ils ont reçu des instructions sur l'utilisation sécuritaire de l'appareil et qu'elles comprennent les risques impliqués.

- Cet appareil ne doit pas être utilisé par des enfants.
- Ne laissez pas l'appareil sans surveillance lorsqu'il est en cours d'utilisation.
- Laissez le moteur se reposer pendant une minute entre chaque utilisation.
- Soyez prudent lors de la manipulation et du nettoyage des lames, elles peuvent être très coupantes. Une mauvaise manipulation des lames peut engendrer des blessures.
- Évitez de placer une tasse ou un pichet sur la base du moteur lorsque le moteur tourne toujours.
- Ne l'utilisez pas sans ingrédient dans la tasse ou le pichet.
- N'essayez jamais de l'utiliser avec des lames endommagées, ou avec des ustensiles ou tout autre objet étranger dans la tasse ou le pichet.
- Ne soumettez pas la tasse ou le pichet à des conditions de chaleur ou de froid extrêmes, par exemple en plaçant un pichet froid dans de l'eau chaude, ou inversement.
- Le couvercle doit être

fermement fixé au pichet avant l'utilisation pour assurer que le contenu interne ne fuit pas, ne se pulvérise pas ou ne déborde pas.

- Ne retirez pas le pichet de la base du moteur lorsque le mixeur est en cours d'utilisation.
- N'utilisez pas le mixeur lorsque la PROTECTION CONTRE LES SURCHARGES clignote sur l'écran LCD. Si cela se produit, débranchez le mixeur et attendez pendant 30 minutes que le moteur refroidisse. Une fois refroidi, vous pourrez à nouveau utiliser le mixeur normalement.
- N'insérez pas de liquides chauds ou bouillants. Laissez refroidir avant de les placer dans le pichet du mixeur.



Le symbole illustré indique que cet appareil ne doit pas être jeté dans les déchets domestiques normaux. Il

doit être amené dans un centre de collecte de déchets des autorités locales désigné à cette fin ou à un revendeur proposant ce service. Pour en savoir plus, veuillez contacter votre bureau de conseils local.



À des fins de protection contre les chocs électriques, n'immergez pas la prise électrique, le cordon ou l'appareil dans l'eau ou dans un liquide.

CONSERVEZ CES INSTRUCTIONS



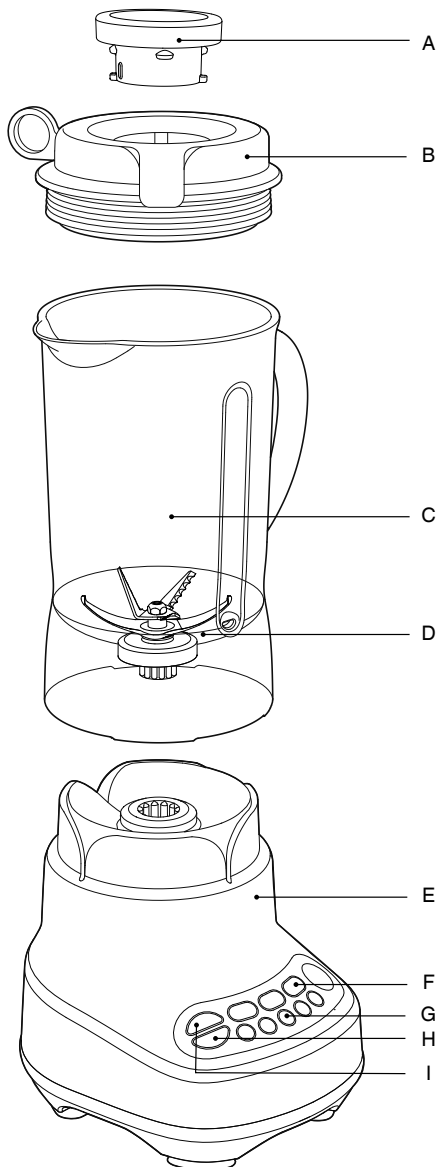
Composants

- A. Bouchon doseur interne
- B. Couvercle Sage® Assist™
- C. Pichet de 1,5 litre sans BPA Eastman Tritan™ résistant aux chocs, incassable et lavable au lave-vaisselle.
- D. Système de bol et lame Kinetix®
- E. Base du mixeur
- F. Programmes SMOOTHIES et AUTO PULSE/ICE CRUSH (Battement automatique/Glace pilée)
- G. 5 vitesses électroniques
- H. Fonction de nettoyage automatique
- I. Bouton On / Off – allume l'appareil en mode READY (Prêt).



REMARQUE

Compatible avec the Vac Q™ (BBL002) – vendu séparément.



Informations sur la tension nominale
220 à 240V~ 50-60Hz 1 200 à 1 300 W



Fonctions

AVANT LA PREMIÈRE UTILISATION

Avant d'utiliser votre mixeur Sage® pour la première fois, retirez l'emballage et les étiquettes promotionnelles.

Lavez le couvercle, le couvercle interne, le pichet du mixeur (consultez la section « Entretien et nettoyage ») dans de l'eau savonneuse tiède avec un chiffon doux. Rincez et séchez soigneusement. Ne placez pas les pièces dans le lave-vaisselle (sauf le pichet du mixeur).

Veuillez consulter la section « Entretien et nettoyage » pour en savoir plus. Vous pouvez essuyer la base du moteur avec un chiffon doux et humide. Séchez soigneusement.

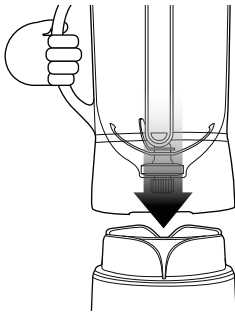
ASSEMBLAGE ET FIXATION DU MIXEUR

Étape 1

Placez la base du moteur sur une surface plate et sèche, comme un comptoir. Assurez-vous que la base du moteur est hors tension à l'aide du bouton ON / OFF, et que le cordon d'alimentation est débranché.

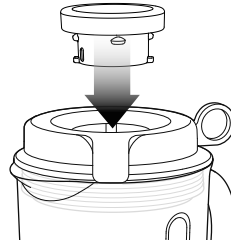
Étape 2

Avec le pichet du mixeur en position droite, placez-le sur la base du moteur. La poignée du mixeur peut être positionnée à gauche ou à droite de l'appareil.



Étape 3

Tout aliment ou liquide inséré dans le pichet du mixeur ne doit pas dépasser le repère « MAX ». Placez le couvercle du mixeur fermement en position en haut du pichet du mixeur. Insérez le bouchon doseur interne propre dans le couvercle du mixeur, et tournez-le dans le sens des aiguilles d'une montre pour le fixer en position.



Votre mixeur Sage® est doté d'un couvercle Sage® Assist™. Cela permet au couvercle d'être ajusté fermement dans le pichet du mixeur, évitant ainsi les déplacements lors du fonctionnement. L'ouverture facile permet à l'utilisateur de facilement retirer le couvercle avec un simple effet de levier.

Étape 4

Branchez le cordon d'alimentation à une prise de courant 220–240 V et mettez l'appareil sous tension.

Étape 5

Appuyez sur le bouton ON / OFF situé à gauche du panneau de commande pour allumer le mixeur.

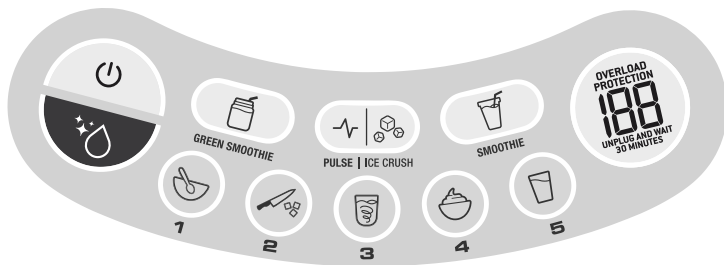
Le bouton ON / OFF s'allume et clignote. L'écran minuteur LCD s'allume et affiche « 00 ».

- Le voyant qui clignote indique que l'appareil est prêt à fonctionner. Évitez tout contact avec des pièces amovibles pendant le fonctionnement.
- Ne remplissez pas le mixeur au-delà de la ligne « MAX ». Si le pichet du mixeur est rempli, ou presque rempli, jusqu'à la ligne « MAX », placez une main sur le couvercle du mixeur pour éviter le déplacement du couvercle pendant le fonctionnement.



AVERTISSEMENT

Les huiles des zestes d'agrumes peuvent endommager le matériel si le pichet de votre mixeur y est exposé pendant une longue période. Nettoyez toujours le pichet de votre mixeur immédiatement après avoir utilisé des zestes d'agrumes.



SÉLECTION MANUELLE DE LA VITESSE ON / OFF

Le bouton ON / OFF allume l'appareil en mode READY (Prêt).

CONTRÔLE DE LA VITESSE ÉLECTRONIQUE

Il existe cinq boutons de vitesse électronique de MIX (Mélanger) à LIQUIFY (Liquifier).

MIX (Mélanger) combine plus d'aliments délicats dans un mouvement de basculement, et est idéal pour mélanger des ingrédients mouillés et secs.

LIQUIFY (Liquifier) est le paramètre le plus rapide, et est idéal pour broyer des ingrédients afin de préparer des cocktails et d'autres mélanges délicatement mixés.

Sélectionnez la vitesse souhaitée (1 à 5) en appuyant sur le bouton de la vitesse correspondant. Le mixeur commence à fonctionner et le bouton de vitesse sélectionné s'allume. Le bouton ON / OFF s'allume et arrête de clignoter.

L'écran minuteur LCD commence à compter par incréments de 1 seconde jusqu'à atteindre 120 secondes.



REMARQUE

Utilisez uniquement le mixeur pendant la durée appropriée requise, ne mélangez pas trop.

Une fois les 120 secondes atteintes, le mixeur s'arrête automatiquement et le bouton de vitesse sélectionné s'éteint.

Le bouton ON / OFF s'allume et clignote. Après quelques secondes, l'écran minuteur LCD revient sur « 00 ».

- Le mixeur Sage® arrête automatiquement de mixer après 120 secondes. Il s'agit d'une fonction de sécurité qui permet de réduire l'usure sur le moteur.
- La vitesse peut être modifiée à tout moment lors du processus de mixage. À chaque fois qu'une nouvelle vitesse est sélectionnée, son bouton s'allume et l'éclairage du bouton de vitesse précédemment sélectionné s'éteint. Le nombre de secondes sur l'écran minuteur LCD continue de compter jusqu'à 120 secondes, sauf en cas d'interruption.

Minuteur croissant

Le minuteur du mixeur compte en secondes, car il mixe selon l'une des 5 vitesses électroniques de MIX (Mélanger) à LIQUIFY (Liquifier). Lorsque vous utilisez le minuteur de cette manière, le mixeur s'arrête après 2 minutes.

PROGRAMMES PRÉCONFIGURÉS

Votre mixeur Sage® compte trois fonctions supplémentaires « AUTO PULSE/ICE CRUSH » (Battement automatique/Glace pilée), « GREEN SMOOTHIE » (Smoothie vert) et « SMOOTHIE » (Smoothie). Ces trois cycles pré-programmés règlent automatiquement la durée de mixage et les vitesses pour optimiser les résultats de mixage. La quantité maximale de glaçons que le mixeur peut mixer simultanément est d'une plaque standard de glaçons, ou 250 g. Sélectionnez la fonction souhaitée en appuyant sur le bouton de la fonction correspondant. Le mixeur commence à fonctionner et le bouton de la fonction sélectionnée s'allume. Le bouton ON / OFF s'allume et arrête de clignoter. L'écran minuteur LCD commence à compter par incréments de 1 seconde jusqu'à afficher « 00 ».

NETTOYAGE AUTOMATIQUE

Utilisez cette fonction pour retirer la plupart des ingrédients des parois et lames du mixeur. Ajoutez deux verres d'eau savonneuse tiède, puis appuyez sur le bouton de nettoyage.

Pour les ingrédients collants, épais ou difficiles à nettoyer, ajoutez 1/2 cuillère à café de liquide vaisselle pour obtenir un effet nettoyant supplémentaire. Pour de meilleurs résultats, nettoyez de cette manière le pichet du mixeur immédiatement après utilisation.



REMARQUE

Si le mixeur est en cours d'utilisation et que vous appuyez sur un autre bouton, la vitesse basculera automatiquement sur ce programme sans s'arrêter.



AVERTISSEMENT

Ne placez jamais autre chose que des aliments ou liquides dans le mixeur lorsque le moteur fonctionne.



REMARQUE

Utilisez le bouton PULSE (Battement) lorsque l'aliment inséré est trop épais ou gros pour circuler dans le pichet du mixeur.

Après utilisation, assurez-vous toujours que le mixeur est hors tension en appuyant sur le bouton ON / OFF du panneau de commandes. Débranchez ensuite le cordon. Assurez-vous que le moteur et les lames sont entièrement arrêtés avant de déplacer l'appareil, ou lorsque le mixeur Sage® n'est pas utilisé, et avant le démontage, le nettoyage et l'entreposage.



Dépannage

PROBLÈME

SOLUTION FACILE

Le moteur ne démarre pas ou la lame ne tourne pas

- Vérifiez que le couvercle et le pichet du mixeur sont en place.
- Vérifiez que le bouton ON / OFF et le bouton de la fonction choisie sont éclairés.
- Vérifiez que la fiche secteur est correctement insérée dans la prise électrique.

Les aliments ne sont pas hachés uniformément

- Cela peut se produire lorsque trop d'aliments sont mixés simultanément. Essayez avec une plus petite quantité, et faites plusieurs paquets si nécessaire.
- Les ingrédients sont peut-être trop larges. Essayez de les couper en morceaux plus petits. Pour de meilleurs résultats, les ingrédients doivent être coupés en morceaux de 2 cm de largeur maximum.

Les ingrédients sont hachés trop finement ou sont aqueux

- Essayez de mixer sur des périodes plus courtes. Utilisez la fonction PULSE (Battement) pour un meilleur contrôle.

Les ingrédients se collent à la lame et au pichet

- Le mélange est peut-être trop épais. Essayez d'ajouter plus de liquides ou d'utiliser une vitesse moins rapide de mélange.

Surcharge du mixeur (tous les voyants clignotent)

- Ce mixeur dispose d'une protection contre les surcharges pour éviter d'endommager le moteur. La PROTECTION CONTRE LES SURCHARGES clignote sur l'écran LCD. Débranchez le mixeur et laissez-le refroidir pendant 30 minutes. Une fois refroidi, vous pourrez à nouveau utiliser le mixeur normalement.
- Nous recommandons de mixer dans de plus petits paquets, ou de couper les ingrédients en paquets plus petits.



Entretien et nettoyage

Pichet et couvercle

Pour conserver votre pichet propre et empêcher les aliments de sécher sur les lames, le pichet et le couvercle, suivez les étapes ci-dessous dès que possible après utilisation :

- Rincez la plupart des ingrédients du pichet et du couvercle.
- Remplissez le pichet avec 500 ml d'eau tiède et appuyez sur le bouton AUTO CLEAN (Nettoyage automatique). Si des ingrédients épais ou collants nécessitent un effort nettoyant supplémentaire, ajoutez quelques gouttes de liquide vaisselle.
- Rincez le pichet et le couvercle à nouveau, ou lavez-les séparément dans de l'eau savonneuse tiède avec un chiffon doux ou un goupillon.
- Il est plus efficace de nettoyer le pichet immédiatement après utilisation.

Base du moteur

Pour nettoyer la base du moteur, essuyez avec un chiffon doux et humide et séchez soigneusement. Essuyez tout excès de particules alimentaires du cordon d'alimentation.

Agents de nettoyage

N'utilisez pas de tampons ou nettoyeurs abrasifs sur la base du moteur ou le pichet, car ils pourraient rayer la surface. Utilisez uniquement de l'eau savonneuse tiède avec un chiffon doux.

Lave-vaisselle

Le pichet et le couvercle du mixeur peuvent être lavés dans un lave-vaisselle avec un cycle de nettoyage standard. Le pichet peut être placé sur l'étagère inférieure, cependant le couvercle et le bouchon doseur interne doivent être uniquement nettoyés sur l'étagère supérieure. Gardez à l'esprit que nettoyer les pièces régulièrement dans un lave-vaisselle peut réduire leur durée de vie à cause d'une exposition prolongée à des détergents durs, à l'eau chaude et à de la pression.

Odeurs et tâches d'aliments tenaces

Les aliments à forte odeur comme l'ail, le poisson et certains légumes (carottes) peuvent laisser une odeur ou des tâches sur le couvercle et le pichet du mixeur. Pour les retirer, faites tremper le couvercle et le pichet du mixeur pendant 5 minutes dans de l'eau savonneuse tiède. Nettoyez ensuite avec un détergent doux et de l'eau tiède, rincez bien et séchez soigneusement. Entreposez le pichet sans le couvercle dessus.

Entreposage

Entreposez votre mixeur dans une position droite, avec le pichet du mixeur assemblé sur la base du moteur, ou à côté. Ne placez rien au-dessus. Pour laisser l'air circuler, ne laissez pas le couvercle sur le pichet.



Garantie

GARANTIE LIMITÉE 2 ANS

Sage Appliances garantit ce produit pour un usage domestique sur les territoires spécifiés pendant 2 ans à compter de la date d'achat, contre les défauts de fabrication et de matériaux. Au cours de cette période de garantie, Sage Appliances s'engage à réparer, remplacer ou rembourser tout produit défectueux (à sa seule discrétion).

Tous les droits de garantie légaux en vertu de la législation nationale applicable seront respectés et ne seront pas compromis par notre garantie. Pour connaître les conditions générales complètes relatives à la garantie ou pour obtenir des instructions sur la manière de déposer une réclamation, rendez-vous sur www.sageappliances.com.

Déclaration à l'intention du consommateur

SAGE FRANCE - GARANTIE LIMITÉE

Sage Appliances garantit ce produit pour un usage domestique sur les territoires spécifiés pendant 2 ans à compter de la date d'achat initiale du produit contre les défauts de fabrication et de matériaux. La période de garantie peut-être supérieure pour certains produits ou pour certaines pièces de produits. Au cours de cette période de garantie, Sage Appliances s'engage à réparer, remplacer ou rembourser tout produit défectueux (à sa seule discrétion).

Tous les droits de garantie légaux en vertu de la législation nationale applicable seront respectés et ne seront pas compromis par notre garantie. Pour connaître les conditions générales complètes relatives à la garantie ou pour obtenir des instructions sur la manière de déposer une réclamation, rendez-vous sur www.sageappliances.com.

Les dispositions de la présente garantie ne sont pas exclusives du bénéfice, au profit de l'acheteur, de la garantie légale de conformité prévue par les articles L. 217-4 et suivants du Code de la consommation, ainsi que de la garantie des vices cachés prévue par les articles 1641 et suivants du Code civil, qui sont en tout état de cause applicables et ce même en l'absence d'application ou en cas d'exclusion de la garantie conventionnelle.

Lorsqu'il agit en garantie légale de conformité, le consommateur :

- bénéficie d'un délai de deux ans à compter de la délivrance du bien pour agir ;
- peut choisir entre la réparation ou le remplacement du bien, sous réserve des conditions de coût prévues par l'article L. 217-9 du code de la consommation ;
- est dispensé de rapporter la preuve de l'existence du défaut de conformité du bien durant les vingt-quatre mois suivant la délivrance du bien.

La garantie légale de conformité s'applique indépendamment de la garantie commerciale éventuellement consentie.

Le consommateur peut décider de mettre en œuvre la garantie contre les défauts cachés de la chose vendue au sens de l'article 1641 du Code civil ; dans cette hypothèse, il peut choisir entre la résolution de la vente ou une réduction du prix de vente conformément à l'article 1644 du Code civil.

Article L. 217-4 du Code de la consommation :

« Le vendeur livre un bien conforme au contrat et répond des défauts de conformité existant lors de la délivrance. Il répond également des défauts de conformité résultant de l'emballage, des instructions de montage ou de l'installation lorsque celle-ci a été mise à sa charge par le contrat ou a été réalisée sous sa responsabilité. »

Article L. 217-5 du Code de la consommation :

« Le bien est conforme au contrat : 1° S'il est propre à l'usage habituellement attendu d'un bien semblable et, le cas échéant :

- s'il correspond à la description donnée par le vendeur et possède les qualités que celui-ci a présentées à l'acheteur sous forme d'échantillon ou de modèle ;
- s'il présente les qualités qu'un acheteur peut légitimement attendre eu égard aux déclarations publiques faites par le vendeur, par le producteur ou par son représentant, notamment dans la publicité ou l'étiquetage;

2° Ou s'il présente les caractéristiques définies d'un commun accord par les parties ou est propre à tout usage spécial recherché par l'acheteur, porté à la connaissance du vendeur et que ce dernier a accepté. »

Article L 217-12 du Code de la consommation :

« L'action résultant du défaut de conformité se prescrit par deux ans à compter de la délivrance du bien. »

Article L 217-16 du Code de la consommation :

« Lorsque l'acheteur demande au vendeur, pendant le cours de la garantie commerciale qui lui a été consentie lors de l'acquisition ou de la réparation d'un bien meuble, une remise en état couverte par la garantie, toute période d'immobilisation d'au moins sept jours vient s'ajouter à la durée de la garantie qui restait à courir. Cette période court à compter de la demande d'intervention de l'acheteur ou de la mise à disposition pour réparation du bien en cause, si cette mise à disposition est postérieure à la demande d'intervention. »

Article 1641 du Code de la consommation :

« Le vendeur est tenu de la garantie à raison des défauts cachés de la chose vendue qui la rendent impropre à l'usage auquel on la destine, ou qui diminuent tellement cet usage que l'acheteur ne l'aurait pas acquise, ou n'en aurait donné qu'un moindre prix, s'il les avait connus. »

Article 1648, al.1er du Code civil :

« L'action résultant des vices rédhibitoires doit être intentée par l'acquéreur dans un délai de deux ans à compter de la découverte du vice. »



Remarques

the Fresh & Furious™



NL SNELSTARTGIDS

Sage®



Inhoud

2	Sage® stelt veiligheid voorop
5	Onderdelen
6	Functies
8	Problemen oplossen
8	Onderhoud en reiniging
9	Garantie

SAGE® STELT VEILIGHEID VOOROP

Bij Sage® gaan we zeer veiligheidsbewust te werk. Bij het ontwerpen en produceren van onze consumentenproducten staat de veiligheid van onze gewaardeerde klanten voorop. Daarnaast vragen wij u voorzichtig om te gaan met elektrische apparaten en de volgende voorzorgsmaatregelen in acht te nemen.

BELANGRIJKE VEILIGHEIDSMATREGELEN

LEES ALLE INSTRUCTIES VÓÓR GEBRUIK EN BEWAAR DEZE VOOR TOEKOMSTIGE RAADPLEGING

- Een downloadbare versie van dit document is ook beschikbaar op sageappliances.com
- Controleer voor het eerste gebruik of uw

elektriciteitsvoorziening dezelfde is als die op het label aan de onderkant van het apparaat.

- Verwijder voor het eerste gebruik het verpakkingsmateriaal en gooi het op een veilige manier weg.
- Gooi het beschermkapje op de stekker op een veilige manier weg om verstikkingsgevaar bij jonge kinderen te voorkomen.
- Dit apparaat is alleen voor huishoudelijk gebruik. Gebruik het apparaat enkel voor het beoogde gebruik. Gebruik het niet in bewegende voertuigen of boten. Gebruik het niet buitenshuis. Verkeerd gebruik kan tot letsel leiden.
- Wikkel het netsnoer volledig af voordat u het apparaat gebruikt.
- Plaats het apparaat op een stabiele, hittebestendige, vlakke, droge ondergrond, weg van de rand, en gebruik het niet op of in de buurt van een warmtebron zoals een kookplaat, oven of gasfornuis.
- Door trillingen tijdens het gebruik kan het apparaat worden verplaatst.
- Zorg dat het netsnoer niet over de rand van een aanrecht of tafel hangt, in aanraking komt met hete oppervlakken of in de war raakt.
- Zorg er altijd voor dat het apparaat UIT staat, de stekker uit het stopcontact is gehaald

en het apparaat is afgekoeld voordat u het schoonmaakt, probeert te verplaatsen of opbergt.

- Zet het apparaat altijd UIT en haal de stekker uit het stopcontact wanneer het apparaat niet in gebruik is.
- Gebruik het apparaat niet als het netsnoer, de stekker of het apparaat op enigerlei wijze beschadigd is. Neem contact op met de klantenservice van Sage of ga naar sageappliances.com als er sprake is van schade en ander onderhoud dan reiniging is vereist.
- Onderhoud anders dan reiniging moet worden uitgevoerd door een geautoriseerd Sage®-servicecentrum.
- Kinderen mogen niet met het apparaat spelen.
- Reiniging van het apparaat mag niet door kinderen worden uitgevoerd, tenzij ze ten minste 8 jaar oud zijn en onder toezicht staan.
- Het apparaat en het snoer moeten buiten het bereik van kinderen jonger dan 8 jaar worden gehouden.
- Het wordt aanbevolen een aardlekschakelaar te installeren voor extra veiligheid bij het gebruik van alle elektrische apparaten. Veiligheidsschakelaars met een nominale bedrijfsstroom van niet meer dan 30 mA worden aanbevolen. Raadpleeg een elektricien voor professioneel advies.
- Controleer vóór gebruik altijd of het apparaat op de juiste manier in elkaar is gezet. Als u een apparaat gebruikt dat niet juist in elkaar is gezet, kan dit leiden tot productstoringen, productschade of veiligheidsrisico's, waaronder lichamelijk letsel.
- Gebruik het apparaat niet op het afdruipegedeelte van een gootsteen.
- Houd handen, vingers, haar, kleding, maar ook spatels en ander keukengerei uit de buurt van bewegende of draaiende onderdelen tijdens gebruik.
- Gebruik het apparaat enkel voor het bereiden van eten en/of drinken.
- Sluit geen extern schakelapparaat aan (zoals een timer) en sluit het apparaat niet aan op een circuit dat het apparaat regelmatig aan en uit kan zetten om te voorkomen dat het apparaat vanzelf wordt aangezet als gevolg van het onbedoeld resetten van de overbelastingsbeveiliging.
- Lees alle instructies vóór gebruik en bewaar deze voor toekomstige raadpleging.
- Het apparaat kan worden gebruikt door personen met beperkte fysieke of mentale

capaciteiten of een gebrek aan ervaring en kennis, alleen als zij worden begeleid of instructies hebben gekregen over het veilige gebruik van het apparaat en als zij de gevaren ervan begrijpen.

- Dit apparaat mag niet door kinderen worden gebruikt.
- Laat het apparaat niet onbeheerd achter tijdens gebruik.
- Laat de motor tussen elk gebruik 1 minuut rusten.
- Wees voorzichtig bij het hanteren en reinigen van messen. Deze zijn zeer scherp. Verkeerd gebruik van de messen kan tot letsel leiden.
- Plaats de kan of beker niet op de motorbasis terwijl de motor nog draait.
- Gebruik het apparaat niet zonder ingrediënten in de kan of beker.
- Gebruik het apparaat nooit met beschadigde messen of met keukengerei of vreemde voorwerpen in de kan of beker.
- Onderwerp de kan of beker niet aan extreem hoge of lage temperaturen, bijvoorbeeld door een koude kan in heet water of andersom te dompelen.
- Het deksel van de blenderkan moet voor gebruik stevig worden aangebracht om te

zorgen dat de inhoud niet kan ontsnappen, wegsputten of overlopen.

- Verwijder de kan niet van de motorbasis terwijl de blender in gebruik is.
- Gebruik de blender niet terwijl **OVERLOAD PROTECTION** (overbelastingsbeveiliging) op het lcd-scherm knippert. In dit geval haalt u de stekker uit het stopcontact en wacht u 30 minuten tot de motor is afgekoeld. Nadat de blender is afgekoeld, kunt u deze weer als normaal gebruiken.
- Gebruik geen hete of kokende vloeistoffen. Laat ze afkoelen voordat u ze in de blenderkan giet.



Het weergegeven symbool geeft aan dat dit apparaat niet met het normale huishoudelijke afval mag worden weggegooid. Het moet naar een geschikt plaatselijk afvalverwerkingscentrum worden gebracht of naar een provider die deze service biedt. Neem voor meer informatie contact op met uw gemeente.



Dompel de stekker, het snoer of het apparaat niet onder in water of een andere vloeistof om elektrische schokken te voorkomen.

BEWAAR DEZE INSTRUCTIES



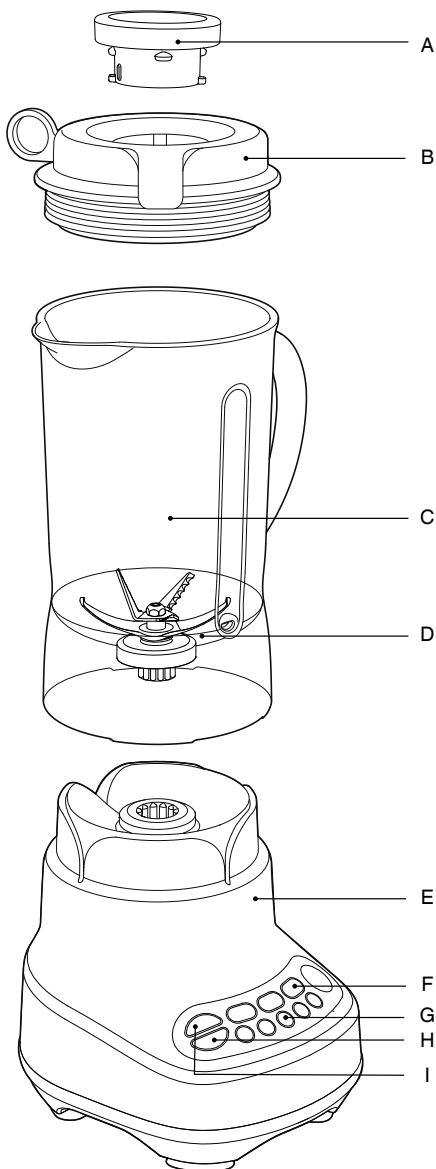
Onderdelen

- A. Maatbekerdop
- B. Sage® Assist™-deksel
- C. BPA-vrije Eastman Tritan™-kan van 1,5 liter: impactbestendig, breukvast en vaatwasserbestendig.
- D. Messen- en komsysteem Kinetix®
- E. Blenderbasis
- F. Programma's voor SMOOTHIES en AUTO PULSE/ICE CRUSH
- G. 5 elektronische snelheden
- H. Functie voor automatisch reinigen
- I. Aan-uitknop - hiermee zet u het apparaat in de READY-modus.



OPMERKING

Compatibel met de Vac Q™ (BBL002)
– apart verkrijgbaar.



Classificatiegegevens

220 – 240V~ 50-60Hz 1200 – 1300 W



Functies

VÓÓR HET EERSTE GEBRUIK

Voordat u uw Sage®-blender voor het eerst gebruikt, verwijdert u het verpakkingsmateriaal en de promotielabels.

Was het deksel, het binnendeksel en de blenderkan in warm zeepsop met een zachte doek (zie Onderhoud en reiniging). Spoel en droog alles goed af. Was de onderdelen niet af in de vaatwasser (met uitzondering van de blenderkan).

Raadpleeg de sectie Onderhoud en reiniging voor meer informatie. De motorbasis kan worden afgeveegd met een vochtige doek. Droog deze grondig af.

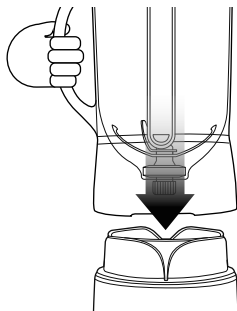
DE BLENDER IN ELKAAR ZETTEN

Stap 1

Plaats de motorbasis op een vlak, droog oppervlak, zoals een aanrecht. Controleer of de motorbasis is uitgeschakeld met de knop ON | OFF en dat de stekker uit het stopcontact is gehaald.

Stap 2

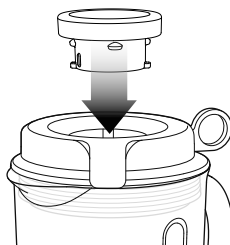
Plaats de blenderkan rechtop op de motorbasis. Het handvat van de blender kan zowel aan de linker- als de rechterkant van het apparaat worden geplaatst.



Stap 3

Voeg voedsel of vloeistof toe aan de blenderkan. Vul deze niet verder dan het MAX-streepje.

Plaats het blenderdeksel stevig op de bovenkant van de blenderkan. Steek de doorzichtige maatbekerop in het blenderdeksel en draai deze met de klok mee om hem vast te zetten.



Uw Sage®-blender heeft een Sage® Assist™-deksel. Hierdoor blijft het deksel stevig op de blenderkan zitten zodat dit tijdens gebruik niet loskomt. Dankzij de ring op het deksel kan de gebruiker het met een eenvoudige beweging moeiteloos verwijderen.

Stap 4

Sluit het netsnoer op een stopcontact van 220 – 240 V aan.

Stap 5

Druk op de knop ON | OFF uiterst links op het bedieningspaneel om de blender aan te zetten.

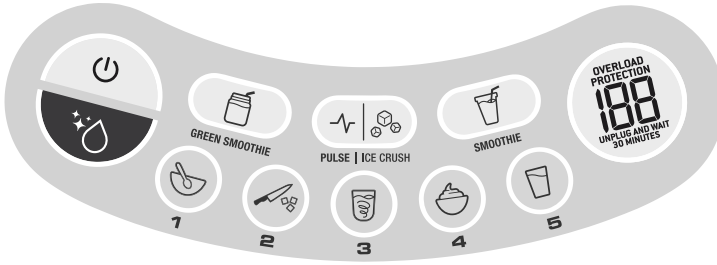
De knop ON | OFF licht op en knippert. De lcd-timerdisplay licht op en geeft '00' weer.

- Een knipperend lampje geeft aan dat het apparaat klaar is voor gebruik. Vermijd contact met bewegende delen tijdens het gebruik.
- Vul de blenderkan niet tot boven het MAX-streepje. Wanneer de blenderkan (bijna) tot het MAX-streepje is gevuld, plaatst u een hand op het blenderdeksel om te voorkomen dat het deksel tijdens het mixen loskomt.



WAARSCHUWING

Olie in citrusschillen kan het materiaal van uw blenderkan beschadigen als de kan hier langere tijd aan wordt blootgesteld. Was uw blenderkan altijd onmiddellijk af nadat u citrusschillen heeft gebruikt.



HANDMATIGE SNELHEIDSELECTIE AAN/UIT

Met de knop ON | OFF (AAN/UIT) zet u het apparaat aan voor gebruik.

ELEKTRONISCHE SNELHEIDREGELING

Er zijn 5 knoppen voor de elektronische snelheid, van MIX (mengen) tot LIQUIFY (vloeibaar maken).

MIX mengt delicate ingrediënten in een vouwbeweging en is goed voor het combineren van natte en droge ingrediënten.

LIQUIFY is de snelste instelling en is ideaal voor het afbreken van ingrediënten om cocktails en andere fijne mengsels te maken.

Selecteer de gewenste snelheid (1 tot 5) door op de toepasselijke knop te drukken. De blender begint te mengen en de geselecteerde snelheidsknop licht op. De knop ON | OFF licht op en houdt op met knipperen.

De lcd-timerdisplay telt nu in stappen van één seconde naar 120 seconden.



OPMERKING

Gebruik de blender alleen voor de juiste duur. Mix de ingrediënten niet te lang.

Na 120 seconden stopt de blender automatisch met mixen en gaat het lampje van de geselecteerde snelheidsknop uit.

De knop ON | OFF licht op en knippert. Na enkele seconden wordt '00' opnieuw op de lcd-timerdisplay weergegeven.

- De Sage®-blender stopt na 120 seconden automatisch met mixen. Dit is een veiligheidsfunctie en beperkt slijtage van de motor.
- De snelheid kan op elk moment tijdens het mengproces worden gewijzigd. Telkens wanneer een nieuwe snelheid wordt geselecteerd, licht de bijbehorende snelheidsknop op. Het lampje voor de andere snelheid gaat uit. Het aantal seconden op de lcd-timerdisplay blijft oplopen tot 120 seconden, tenzij het proces wordt onderbroken.

Opteltimer

De timer van de blender telt op in stappen van 1 seconde terwijl deze op een van de 5 elektronische snelheden mengt, van MIX tot LIQUIFY. Als u de timer op deze manier gebruikt, stopt de blender na 2 minuten.

VOORAF INGESTELDE PROGRAMMA'S

Uw Sage®-blender beschikt over drie extra functies: AUTO PULSE/ICE CRUSH (autom. pulseren/ijs malen), GREEN SMOOTHIE (groene smoothie) en SMOOTHIE. Deze drie voorgeprogrammeerde cycli passen mengtijd en snelheid automatisch aan voor een optimaal resultaat. De maximale hoeveelheid ijsblokjes die de blender tegelijkertijd kan malen, is 1 standaard ijsblok vorm of 250 gram. Selecteer de gewenste functie door op de overeenkomstige functieknop te drukken. De blender begint te mixen en de geselecteerde functieknop licht op. De knop ON | OFF licht op en houdt op met knipperen. De lcd-timerdisplay telt nu in stappen van één seconde af tot '00' wordt weergegeven.

AUTOMATISCH REINIGEN

Gebruik de functie voor automatisch reinigen om de meeste etensresten van de zijkant van de kan en de messen te verwijderen. Voeg 2 kopjes warm zeepsoep toe en druk op de knop AUTO CLEAN.

Voor moeilijk te reinigen, kleverige of dikke ingrediënten voegt u een halve theelepel vloeibaar afwasmiddel toe voor extra reinigingskracht. Maak de blenderkan onmiddellijk na gebruik schoon op de beschreven manier voor het beste resultaat.



OPMERKING

Als de blender in werking is en er op een andere knop wordt gedrukt, schakelt de snelheid automatisch naar dat programma zonder te stoppen.



WAARSCHUWING

Plaats nooit iets anders dan voedsel en vloeistoffen in de blender terwijl de motor draait.



OPMERKING

Gebruik de knop PULSE wanneer het voedsel te dik of te grof is om in de blenderkan rond te bewegen. Zet de blender na gebruik altijd uit door op de knop ON | OFF op het bedieningspaneel te drukken. Haal daarna het snoer uit het stopcontact. Zorg dat de motor en de messen volledig tot stilstand zijn gekomen voordat u het apparaat verplaatst, of wanneer de Sage®-blender niet in gebruik is en voordat u het apparaat uit elkaar haalt, schoonmaakt en opbergt.



Problemen oplossen

PROBLEEM	EENVOUDIGE OPLOSSING
Motor start niet of het mes draait niet	<ul style="list-style-type: none">• Controleer of de blenderkan en het deksel stevig op hun plaats zitten.• Kijk of de lampjes van de knop ON OFF en de geselecteerde functie branden.• Controleer of de stekker goed in het stopcontact zit.
Ingrediënten zijn ongelijkmatig gehakt	<ul style="list-style-type: none">• Dit kan gebeuren wanneer er te veel ingrediënten tegelijk worden gemixt. Mix een kleinere hoeveelheid en mix alles indien nodig in gedeeltes.• De ingrediënten zijn mogelijk te groot. Snijd ze in kleinere stukken. Snijd ingrediënten in stukken van maximaal 2 cm voor het beste resultaat.
Voedsel wordt te fijn gehakt of is waterig	<ul style="list-style-type: none">• Verkort de mengduur. Gebruik de PULSE-functie voor meer controle.
Voedsel plakt aan het mes en de kan	<ul style="list-style-type: none">• Het mengsel is mogelijk te dik. Voeg meer vloeistof toe en/of mix op een lagere snelheid.
Blender overbelast (alle lampjes knipperen)	<ul style="list-style-type: none">• Deze blender beschikt over een overbelastingsbeveiliging om schade aan de motor te voorkomen. OVERLOAD PROTECTION knippert op het lcd-scherm. Haal de stekker uit het stopcontact en laat de blender 30 minuten afkoelen. Nadat de blender is afgekoeld, kunt u deze weer als normaal gebruiken.• We raden u aan kleinere hoeveelheden te gebruiken of de ingrediënten in kleinere stukken te snijden.



Onderhoud en reiniging

Kan en deksel

Volg de onderstaande stappen zo snel mogelijk na gebruik om uw kan schoon te houden en te voorkomen dat etensresten op de messen, kan en het deksel aankoeken

- Spoel de kan en het deksel zoveel mogelijk schoon.
- Vul de kan met 500 ml warm water en druk op de AUTO CLEAN-knop. Als dikke of plakkerige ingrediënten extra reinigingskracht vereisen, voegt u een paar druppels vloeibaar afwasmiddel toe.
- Spoel de kan en het deksel opnieuw af en/of maak ze apart schoon in warm zeepsop met een zachte doek of flessenborstel.
- De effectiefste manier is om de kan onmiddellijk na gebruik schoon te maken.

Motorbasis

Veeg de motorbasis schoon met een zachte, vochtige doek en droog de basis grondig af om deze te reinigen. Veeg eventuele etensresten van het netsnoer.

Reinigingsmiddelen

Gebruik geen schuursponsjes of schuurmiddelen op de motorbasis of kan, omdat deze krassen op het oppervlak kunnen veroorzaken. Gebruik alleen warm zeepsop met een zachte doek.

Vaatwasser

De blenderkan en het deksel kunnen op een standaardcyclus in de vaatwasser worden afgewassen. De kan mag in de onderste lade worden geplaatst, maar het deksel en de maatbekerdoop mogen alleen in de bovenste lade worden geplaatst. Houd er rekening mee dat het regelmatig afwassen van onderdelen in de vaatwasser de levensduur ervan kan verkorten vanwege langdurige blootstelling aan agressieve schoonmaakmiddelen, heet water en druk.

Hardnekkige voedselvlekken en geuren

Sterk ruikende ingrediënten zoals knoflook, vis en sommige groenten, zoals wortels, kunnen een geur of vlekken op de blenderkan en het deksel achterlaten. Laat de kan en het deksel 5 minuten in warm zeepsop weken om de geur en vlekken te verwijderen. Was ze dan af met een zacht afwasmiddel en warm water. Vervolgens goed afspoelen en afdrogen. Berg de kan op zonder het deksel erop.

Opslag

Berg uw blender rechtop op met de blenderkan op of naast de motorbasis. Plaats er niets bovenop. Laat het deksel eraf zodat lucht kan circuleren.



Garantie

BEPERKTE GARANTIE VAN 2 JAAR

Sage Appliances biedt een garantie op dit product voor huishoudelijk gebruik in genoemde gebieden gedurende 2 jaar vanaf de datum van aankoop tegen defecten veroorzaakt door gebrekkige afwerking en materialen. Gedurende deze garantieperiode zal Sage Appliances defecte producten repareren, vervangen of terugbetalen (naar eigen goeddunken van Sage Appliances).

Alle wettelijke garantierechten onder de toepasselijke nationale wetgeving worden gerespecteerd en onze garantie doet geen afbreuk aan deze rechten. Voor de algemene voorwaarden van de garantie, evenals instructies over hoe u aanspraak maakt op de garantie, gaat u naar www.sageappliances.com.



Opmerkingen

the Fresh & Furious™



IT GUIDA RAPIDA

Sage®



Sommario

- 2 Sage® consiglia: prima di tutto la sicurezza
- 5 Componenti
- 6 Funzioni
- 8 Risoluzione dei problemi
- 9 Manutenzione e pulizia
- 9 Garanzia

SAGE® CONSIGLIA: PRIMA DI TUTTO LA SICUREZZA

In Sage® abbiamo molto a cuore la tua sicurezza. Creiamo e commercializziamo prodotti di consumo tenendo sempre presente la sicurezza dei nostri clienti. Inoltre ti chiediamo di esercitare sempre un certo grado di attenzione quando utilizzi apparecchi elettrici e di osservare le seguenti precauzioni.

NORME DI SICUREZZA IMPORTANTI

**LEGGI TUTTE QUESTE
ISTRUZIONI PRIMA
DELL'USO E SALVALE PER
CONSULTARLE IN FUTURO**

- Una versione scaricabile di questo documento è disponibile anche nel sito Web.sageappliances.com.

- Prima di usare l'apparecchio per la prima volta, verifica che la tensione della rete corrisponda a quella indicata sull'etichetta sotto il dispositivo.
- Rimuovi e smaltisci in modo sicuro tutti i materiali di imballaggio prima del primo utilizzo.
- Per evitare il rischio di soffocamento per i più piccoli, smaltisci in modo sicuro la copertura protettiva della spina.
- Questo apparecchio è destinato solo all'uso domestico. Evita di destinarlo a usi diversi da quello previsto. Evita di utilizzarlo su veicoli in movimento o su barche. Non utilizzarlo all'aperto. L'uso non corretto dell'elettrodomestico può provocare lesioni.
- Svolgi completamente il cavo prima di utilizzare l'elettrodomestico.
- Posiziona l'elettrodomestico su una superficie stabile, resistente al calore, piana e asciutta, lontano dal bordo della superficie. Utilizzalo lontano da fonti di calore come piastre elettriche, fornelli a gas o forni.
- Le vibrazioni durante il funzionamento possono causare lo spostamento dell'elettrodomestico.
- Evita che il cavo di alimentazione penzoli oltre il bordo di un tavolo o un banco, tocchi superfici calde o forni nodi.

- Prima di pulire, spostare o riporre l'elettrodomestico assicurati sempre che sia spento, scollegato dalla rete e che si sia raffreddato a sufficienza.
- Quando l'elettrodomestico non è in uso, sposta sempre l'interruttore in posizione OFF e spegni l'interruttore della presa o scollega il cavo dalla presa.
- Non utilizzare l'elettrodomestico se il cavo di alimentazione, la presa o l'elettrodomestico stesso subiscono qualsiasi tipo di danneggiamento. Se l'elettrodomestico è danneggiato o richiede una manutenzione diversa dalla pulizia, rivolgiti al Servizio clienti Sage o visita il sito [Web sageappliances.com](http://Web.sageappliances.com)
- Qualsiasi operazione di manutenzione diversa dalla pulizia deve essere eseguita da un centro Servizio clienti Sage® autorizzato.
- Non lasciare che i bambini giochino con l'elettrodomestico.
- La pulizia dell'elettrodomestico può essere effettuata da bambini di età non inferiore a 8 anni e con la supervisione di un adulto.
- L'elettrodomestico e il cavo vanno tenuti fuori dalla portata dei bambini di età inferiore agli 8 anni.
- Si consiglia l'installazione di un interruttore di sicurezza tipo salvavita per garantire maggior sicurezza nell'uso di tutti i dispositivi elettrici. Si consiglia l'installazione di un salvavita con corrente di esercizio non superiore a 30 mA. Richiedi un parere professionale a un elettricista.
- Prima dell'uso, verifica sempre che l'elettrodomestico sia assemblato in base alle istruzioni. Se l'elettrodomestico viene utilizzato senza essere stato assemblato correttamente possono verificarsi problemi di funzionamento, danni al prodotto o rischi per la sicurezza, tra cui lesioni personali.
- Evita di usare l'elettrodomestico sul pianale del lavello.
- Durante il funzionamento, non avvicinare alle parti mobili o rotanti le mani, le dita, i capelli, gli indumenti e spatole o altri utensili da cucina.
- Usa l'elettrodomestico solo per la preparazione di cibi o bevande.
- Per evitare il possibile rischio di avvio automatico dell'elettrodomestico in seguito alla reimpostazione imprevista della protezione da sovraccarico, non collegare l'elettrodomestico a un dispositivo di interruzione esterno (ad esempio un timer) ed evita di connetterlo a un circuito che può accendere o spegnere il dispositivo a intervalli regolari.
- Leggi con cura tutte le istruzioni prima dell'uso e conservale per consultarle in futuro.
- L'elettrodomestico può essere utilizzato da persone con disabilità fisiche o mentali o prive di esperienza o conoscenza

dell'elettrodomestico stesso, a condizione che tali persone abbiano ricevuto supervisione o istruzioni dettagliate per l'uso dell'elettrodomestico in sicurezza e che comprendano i rischi associati.

- Evita che l'elettrodomestico venga utilizzato dai bambini.
- Non lasciare l'elettrodomestico incustodito mentre sta funzionando.
- Attendi 1 minuto tra usi successivi dell'elettrodomestico.
- Presta attenzione quando pulisci o manipoli le lame, che sono molto affilate. Se non le manipoli correttamente, le lame possono causare lesioni.
- Evita di porre il contenitore o il boccale sopra la base del motore mentre il motore sta ancora girando.
- Evita di far funzionare l'elettrodomestico senza ingredienti nel contenitore o nel boccale.
- Non tentare mai di far funzionare l'elettrodomestico con lame danneggiate o con utensili da cucina o altri corpi estranei all'interno del contenitore o del boccale.
- Evita di sottoporre il contenitore o il boccale a estremi di temperatura, ad esempio evita di immergere un boccale freddo in acqua bollente e viceversa.
- Prima di avviare l'elettrodomestico verifica che il coperchio

del boccale sia fissato correttamente, per evitare la fuoriuscita del contenuto.

- Non rimuovere il boccale dalla base motore mentre il frullatore è in uso.
- Non utilizzare il frullatore quando sullo schermo a cristalli liquidi lampeggia la scritta **PROTEZIONE SOVRACCARICO**. In questo caso scollega il frullatore dalla rete e attendi 30 minuti, finché il motore non si è raffreddato. Una volta raffreddato, potrai tornare a utilizzare il frullatore come di consueto.
- Non elaborare liquidi molto caldi o bollenti. Attendi il raffreddamento di tali liquidi prima di inserirli nel boccale del frullatore.



Questo simbolo indica che questo apparecchio non può essere smaltito con i rifiuti domestici comuni.

Deve essere conferito in un centro di smaltimento locale specializzato o presso un rivenditore che fornisce questo servizio. Per ulteriori informazioni, contatta l'ufficio comunale locale.



Per la protezione dalle scariche elettriche, evita di immergere la spina, il cavo di alimentazione o l'elettrodomestico in acqua o in qualsiasi altro liquido.

SALVA QUESTE ISTRUZIONI



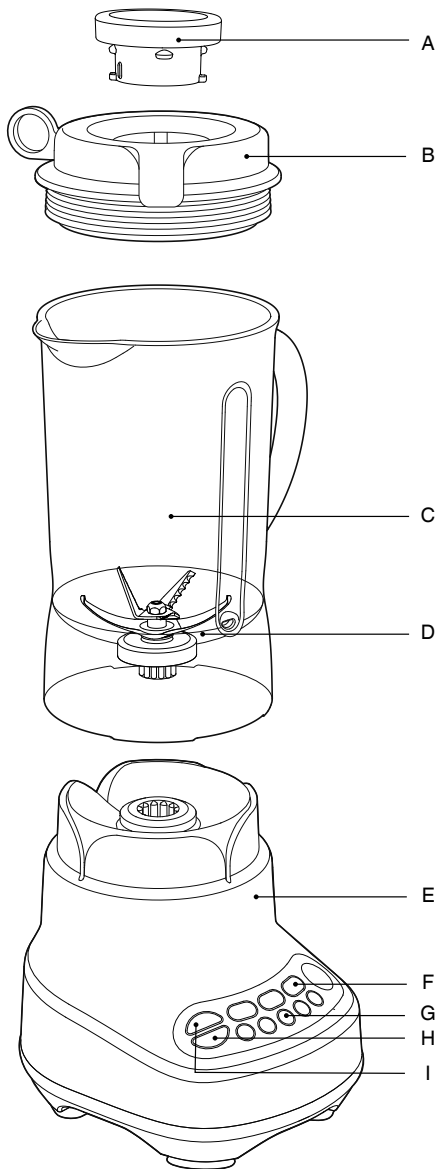
Componenti

- A. Tappo misuratore interno
- B. Coperchio Sage® Assist™
- C. Boccale da 1,5 l in Eastman Tritan™ senza BPA
Antiurto, infrangibile, lavabile in lavastoviglie.
- D. Sistema di lame e contenitore Kinetix®
- E. Base del frullatore
- F. Programmi FRULLATO e IMPULSI AUTO/GHIACCIO
- G. 5 velocità a controllo elettronico
- H. Funzione Pulizia automatica
- I. Pulsante ON/OFF: imposta la modalità READY (PRONTO).



NOTA

Compatibile con the Vac Q™ (BBL002), venduta separatamente.



Informazioni sui valori nominali
220-240V~ 50-60Hz 1200-1300 W



Funzioni

PER IL PRIMO USO

Prima di usare il frullatore Sage® per la prima volta rimuovi i materiali di imballaggio e le etichette promozionali.

Lava il coperchio, il misuratore interno e il boccale del frullatore con acqua saponata tiepida e un panno morbido (vedi "Manutenzione e pulizia"). Sciacqua e asciuga a fondo. Non inserire componenti in lavastoviglie, ad eccezione del boccale del frullatore.

Per informazioni dettagliate consulta la sezione "Manutenzione e pulizia". Per pulire la base del motore strofinala con un panno umido. Asciuga a fondo.

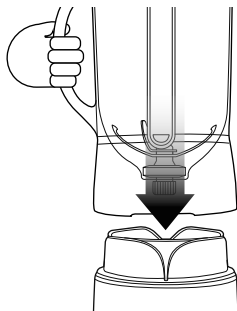
ASSEMBLAGGIO E COLLEGAMENTO DEL FRULLATORE

Passaggio 1

Posiziona la base del motore su una superficie piana e asciutta, ad esempio il piano di una cucina. Verifica che l'interruttore ON/OFF della base sia su OFF e che il cavo di alimentazione sia scollegato.

Passaggio 2

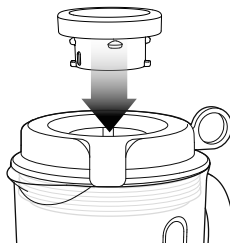
Metti il boccale del frullatore in posizione verticale, quindi innestalo nella base del motore. Puoi posizionare la maniglia del boccale sul lato destro o sinistro dell'elettrodomestico.



Passaggio 3

Aggiungi alimenti o liquidi nel boccale del frullatore, senza superare l'indicatore "MAX".

Copri il boccale del frullatore inserendo a fondo il coperchio sulla parte superiore. Inserisci il tappo misuratore trasparente nel coperchio del frullatore e ruotalo in senso orario per bloccarlo in posizione.



Il tuo frullatore Sage® è dotato di coperchio Sage® Assist™. Questo coperchio può essere bloccato sul boccale del frullatore e non si sposta durante il funzionamento. L'anello di estrazione ti consentirà di rimuovere facilmente il coperchio con un semplice movimento a leva.

Passaggio 4

Inserisci il cavo di alimentazione in una presa da 220-240 V.

Passaggio 5

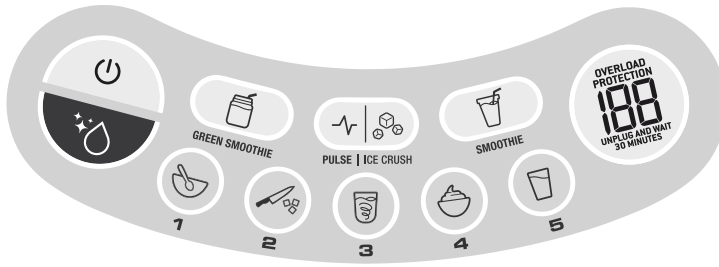
Premi il pulsante ON/OFF all'estremità sinistra del pannello di controllo per accendere il frullatore. Il pulsante ON/OFF si accende e lampeggia. Lo schermo LCD del timer si accende e visualizza "00".

- La luce lampeggiante indica che l'elettrodomestico è pronto per funzionare. Evita il contatto con qualsiasi parte mobile durante il funzionamento.
- Non riempire il boccale del frullatore oltre l'indicatore "MAX". Quando il contenuto del boccale raggiunge o si avvicina all'indicatore "MAX", appoggia una mano sul coperchio del frullatore, per evitare l'apertura durante il funzionamento.



ATTENZIONE

Gli oli contenuti nella scorza degli agrumi possono danneggiare il materiale del boccale del frullatore se lasciati a contatto con la sua superficie per lungo tempo. Dopo l'elaborazione di scorze di agrumi, pulisci sempre immediatamente il boccale del frullatore.



SELEZIONE VELOCITÀ MANUALE ON/OFF

Il pulsante ON/OFF accende l'elettrodomestico e attiva la modalità PRONTO.

CONTROLLO ELETTRONICO DELLA VELOCITÀ

Sono disponibili 5 pulsanti per il controllo elettronico della velocità in ordine crescente da MESCOLA a LIQUEF.

MESCOLA combina gli alimenti più delicati con un movimento di mescolatura ed è ideale per combinare ingredienti umidi e secchi.

LIQUEF corrisponde alla velocità più elevata ed è ideale per tritare ingredienti o per creare cocktail o altre miscele a grana molto fine.

Seleziona la velocità desiderata (da 1 a 5) premendo il pulsante corrispondente. Il frullatore inizia a funzionare e il pulsante corrispondente alla velocità selezionata si illumina. Il pulsante ON/OFF si accende e smette di lampeggiare.

Lo schermo LCD del timer inizia a contare i secondi fino a un massimo di 120 secondi.



NOTA

Fai funzionare il frullatore per il tempo necessario, evitando di frullare in eccesso.

Dopo 120 secondi di funzionamento il frullatore si arresta automaticamente e il pulsante corrispondente alla velocità selezionata si spegne. Il pulsante ON/OFF si accende e lampeggia. Dopo alcuni secondi lo schermo LCD del timer torna a visualizzare "00".

- Il frullatore Sage® interrompe automaticamente il funzionamento dopo 120 secondi. Questa è una funzionalità di protezione, che limita l'usura del motore.
- Puoi cambiare velocità in qualsiasi momento mentre il frullatore è in azione. Quando selezioni una velocità diversa, il pulsante corrispondente si illumina e quello della velocità precedente si spegne. Il contatore del timer LCD continua a sommare i secondi fino a 120, salvo interruzione.

Timer progressivo

Il timer del frullatore conta i secondi mentre frulla a una delle velocità a controllo elettronico incluse tra MESCOLA e LIQUEF. Quando usi il timer in questo modo, il frullatore si arresta dopo 2 minuti.

PROGRAMMI PREIMPOSTATI

Il tuo frullatore Sage® include tre funzioni aggiuntive: "IMPULSI AUTO/GHIACCIO", "FRULLATO SENZA LATTE" e "FRULLATO". Questi tre cicli preprogrammati regolano automaticamente il tempo e le velocità di esercizio per ottimizzare i risultati. La quantità massima di cubetti di ghiaccio frullabili nel frullatore è pari a 250 g, equivalenti a un vassoio da ghiaccio standard. Seleziona la funzione desiderata premendo il pulsante funzione corrispondente. Il frullatore inizia a funzionare e il pulsante corrispondente alla funzione selezionata si illumina. Il pulsante ON/OFF si accende e smette di lampeggiare. Lo schermo LCD del timer inizia a contare a ritroso i secondi fino a raggiungere "00".

PULIZIA AUTOMATICA

Usa questa funzione per rimuovere la maggior parte degli ingredienti dalle pareti e dalle lame del frullatore. Aggiungi circa mezzo litro d'acqua calda con sapone e premi il pulsante PULISCI.

In caso di ingredienti appiccicosi, densi o più difficili da rimuovere, aggiungi mezzo cucchiaino di detergente liquido per piatti per ottenere una pulizia approfondita. Per risultati ottimali, pulisci il boccale del frullatore con queste modalità subito dopo l'uso.



NOTA

Se mentre il frullatore è in funzione premi un altro bottone, la velocità passa automaticamente al programma corrispondente, senza interruzioni.



ATTENZIONE

Mentre il motore è in funzione, inserisci solo alimenti e liquidi nel frullatore.



NOTA

Usa il pulsante IMPULSI quando gli alimenti elaborati sono duri o in pezzi troppo grandi e non circolano facilmente nel boccale del frullatore. Al termine dell'uso verifica sempre che il frullatore sia spento premendo il pulsante ON/OFF nel pannello di controllo. Quindi scollega il cavo. Verifica sempre che le lame e il motore siano completamente fermi prima di spostare l'elettrodomestico o quando il frullatore Sage® non è in uso e prima dello smontaggio, pulizia e immagazzinaggio.



Risoluzione dei problemi

PROBLEMA	SOLUZIONE SEMPLICE
Il motore non si avvia o la lama non ruota	<ul style="list-style-type: none">• Verifica che il boccale e il coperchio del frullatore siano posizionati correttamente.• Verifica che il pulsante ON/OFF e il pulsante della funzione selezionata siano illuminati.• Verifica che la spina sia inserita correttamente nella presa di corrente.
Gli alimenti non vengono tritati in modo uniforme	<ul style="list-style-type: none">• Questa situazione può verificarsi quando si frulla una quantità eccessiva di ingredienti in un'unica soluzione. Prova con una quantità inferiore e, se necessario, lavora in più fasi.• È possibile che i pezzi degli ingredienti da frullare siano troppo grandi. Prova a tagliarli in pezzi più piccoli. Per risultati ottimali, i pezzi degli ingredienti non devono superare i 2 cm.
Il frullato risultante è troppo fine o acquoso	<ul style="list-style-type: none">• Prova a frullare per un periodo di tempo inferiore. Per controllare meglio il processo, utilizza la funzione IMPULSI.
Gli alimenti aderiscono alla lama e al boccale	<ul style="list-style-type: none">• È possibile che la miscela sia troppo spessa. Prova ad aggiungere più liquido e/o a frullare a una velocità inferiore.
Sovraccarico del frullatore (tutte le luci lampeggiano)	<ul style="list-style-type: none">• Il frullatore dispone di un sistema di protezione dai sovraccarichi che evita il danneggiamento del motore. PROTEZIONE SOVRACCARICO lampeggia sullo schermo LCD. Scollega il frullatore dalla rete e lascialo raffreddare per 30 minuti. Una volta raffreddato, potrai tornare a utilizzare il frullatore come di consueto.• Ti consigliamo di frullare quantità più piccole o di tagliare gli ingredienti in pezzi più piccoli.



Manutenzione e pulizia

Boccale e coperchio

Per mantenere il boccale pulito ed evitare che gli alimenti si asciughino sulle lame e sul coperchio, esegui la procedura seguente subito dopo l'uso:

- Sciacqua e rimuovi la massima quantità possibile di alimenti dal boccale e dal coperchio.
- Aggiungi circa mezzo litro di acqua calda nel boccale e premi il pulsante PULIZIA AUTOMATICA. In caso di ingredienti appiccicosi o densi, aggiungi qualche goccia di detergente liquido per piatti.
- Sciacqua di nuovo il boccale e il coperchio e/o lavali a parte in acqua saponata tiepida con un panno morbido o una spazzola per bottiglie.
- Per ottenere i migliori risultati, pulisci sempre il boccale subito dopo l'uso.

Base del motore

Per pulire la base del motore strofinala con un panno morbido umido, quindi asciugala a fondo. Rimuovi eventuali particelle di alimenti dal cavo di alimentazione.

Prodotti per la pulizia

Non utilizzare spugnette abrasive o detersivi con particelle abrasive sulla base del motore o sul boccale. Tali prodotti possono rigare le superfici. Utilizza solo acqua saponata tiepida con un panno morbido.

Lavastoviglie

Puoi lavare il boccale e il coperchio del frullatore in lavastoviglie con un ciclo di lavaggio standard. Puoi posizionare il boccale sul piano inferiore, mentre il coperchio e il tappo misuratore interno vanno lavati solo sul piano superiore. Il lavaggio ripetuto dei componenti in lavastoviglie può usurarli, a causa dell'esposizione a detersivi aggressivi, acqua calda e pressione.

Macchie e odori persistenti

Gli alimenti con odori forti quali l'aglio, il pesce e alcune verdure quali le carote possono lasciare una traccia di odore o una macchia sul boccale e sul coperchio del frullatore. Per rimuoverli, immergi per 5 minuti il boccale e il coperchio del frullatore in acqua calda saponata. Quindi lavalo con un detergente delicato e acqua calda, risciacqualo a fondo e asciugalo completamente. Riponi il boccale senza coprirlo con il coperchio.

Immagazzinaggio

Riponi il frullatore in posizione dritta, con il boccale assemblato sulla base del motore o accanto alla base stessa. Non posizionare nessun oggetto sul frullatore. Non coprire il boccale con il coperchio, per favorire l'aerazione.



Garanzia

GARANZIA LIMITATA DI 2 ANNI

Sage Appliances offre una garanzia per l'utilizzo domestico di questo prodotto in specifiche aree geografiche, per 2 anni dalla data di acquisto. La garanzia copre eventuali malfunzionamenti causati da difetti di fabbricazione o dei materiali. Durante il periodo coperto dalla garanzia, Sage Appliances sarà tenuta a riparare, sostituire o rimborsare l'importo corrispondente ai prodotti difettosi (a sola discrezione di Sage Appliances).

Tutti i diritti di garanzia previsti dalla legislazione nazionale applicabile verranno rispettati e non possono essere annullati dalla presente garanzia. Per i termini e le condizioni complete della garanzia e per istruzioni su come inviare una richiesta di risarcimento, visitare il sito www.sageappliances.com.

the Fresh & Furious™



ES GUÍA RÁPIDA

Sage®



Índice

- 2 Sage® recomienda seguridad ante todo
- 5 Componentes
- 6 Funciones
- 8 Resolución de problemas
- 9 Cuidado y limpieza
- 10 Garantía

SAGE® RECOMIENDA SEGURIDAD ANTE TODO

En Sage® nos preocupa mucho la seguridad. Para el diseño y la fabricación de nuestros productos de consumo tenemos en cuenta antes que nada la seguridad de nuestros clientes, como tú. También te rogamos que actúes cuidadosamente al usar cualquier electrodoméstico y que tomes las precauciones siguientes.



MEDIDAS DE SEGURIDAD IMPORTANTES

LEE TODAS LAS INSTRUCCIONES ANTES DEL USO Y GUÁRDALAS PARA PODER CONSULTARLAS EN EL FUTURO.

- Hay una versión de este documento disponible en sageappliances.com para descargar.

- Antes de usar el producto por primera vez, asegúrate de que la potencia eléctrica de la toma de corriente coincida con la que figura en la etiqueta en la base del electrodoméstico.
- Retira y desecha de forma apropiada los materiales de embalaje antes del primer uso.
- Para evitar riesgos de asfixia de niños pequeños, desecha correctamente la cubierta protectora del enchufe.
- Este electrodoméstico es solo para uso doméstico. No se debe utilizar para fines distintos de su uso previsto. No se debe utilizar en vehículos o embarcaciones en movimiento. No se debe utilizar al aire libre. El uso inapropiado podría causar lesiones.
- Desenrolla completamente el cable de alimentación antes de usar el electrodoméstico.
- Coloca el aparato sobre una superficie estable, resistente al calor, nivelada y seca. No lo pongas muy cerca del borde ni cerca de una fuente de calor (por ejemplo, una placa de cocina eléctrica, un quemador de gas o un horno).
- La vibración durante el funcionamiento podría hacer que el electrodoméstico se mueva.
- Evita que el cable de alimentación sobresalga del borde de una encimera o una mesa, entre en contacto con superficies calientes o se enrede.

- Antes de limpiar, mover o guardar el electrodoméstico, asegúrate siempre de que esté APAGADO y desenchufado de la toma de corriente, y de que se haya enfriado tras el uso.
- Cuando no utilices el electrodoméstico, debe estar APAGADO (en la posición off) y desenchufado de la toma de corriente.
- No lo utilices si el cable de alimentación, el enchufe o el electrodoméstico propiamente dicho están dañados. Ante cualquier daño y si se requiere algún tipo de mantenimiento (que no sea la limpieza), ponte en contacto con el Servicio de atención al cliente de Sage o visita sageappliances.com
- Cualquier tarea de mantenimiento que no sea de limpieza debe realizarla un Centro de servicio autorizado de Sage®.
- No permitas que los niños jueguen con este electrodoméstico.
- La limpieza del electrodoméstico no debe ser realizada por niños menores de 8 años, ni por niños mayores sin la supervisión de un adulto.
- El electrodoméstico y el cable deben mantenerse fuera del alcance de los niños menores de 8 años.
- Se recomienda la instalación de un interruptor diferencial para ofrecer seguridad adicional al usar todos los electrodomésticos. Se recomienda usar interruptores de seguridad con una corriente de funcionamiento nominal de no más de 30 mA. Solicita asesoramiento profesional a un electricista.
- Asegúrate siempre de que el electrodoméstico esté correctamente ensamblado según las instrucciones antes de usarlo. El uso del electrodoméstico sin haber sido ensamblado correctamente puede causar un mal funcionamiento del producto, daños en el mismo o riesgos para la seguridad, incluidas lesiones personales.
- No utilices el electrodoméstico sobre el escurridor del fregadero.
- Mantén las manos, el pelo, la ropa y utensilios como espátulas y otros alejados de las partes móviles o giratorias durante el uso.
- No utilices el aparato para fines que no sean la preparación de alimentos y bebidas.
- Para evitar el riesgo de que el electrodoméstico se ponga en funcionamiento por sí solo debido a un restablecimiento involuntario de la protección de sobrecarga, no acoples ningún dispositivo de conmutación externo (por ejemplo, un temporizador) ni conectes el electrodoméstico a un circuito capaz de encenderlo/apagarlo.

- Lee todas las instrucciones antes del uso y guárdalas para poder consultarlas en el futuro.
 - El electrodoméstico puede ser utilizado por personas con discapacidades físicas o mentales, o sin experiencia ni conocimientos de uso, siempre y cuando reciban supervisión o instrucciones para el uso seguro del electrodoméstico y comprendan los riesgos implicados.
 - Este electrodoméstico no debe ser utilizado por niños.
 - Supervisa el electrodoméstico en todo momento mientras esté en funcionamiento.
 - Deja que el motor repose durante 1 minuto entre usos.
 - Ten cuidado al manipular y limpiar las cuchillas, ya que son muy afiladas. El mal manejo de las cuchillas puede causar lesiones.
 - Evita poner la taza o la jarra en la base del motor mientras el motor siga girando.
 - No lo hagas funcionar sin ingredientes en la taza o jarra.
 - Nunca intentes hacerlo funcionar con cuchillas dañadas, o con utensilios, o cualquier objeto extraño dentro de la taza o jarra.
 - No coloques la taza o la jarra en temperaturas extremas de calor o frío, por ejemplo, colocar una jarra fría en agua caliente, o viceversa.
 - La tapa debe estar firmemente asegurada a la jarra antes de su operación para asegurar que el contenido interno no se escape, rocíe o desborde.
 - No retires la jarra de la base del motor mientras se esté usando la batidora de vaso.
 - No uses la batidora de vaso mientras OVERLOAD PROTECTION esté parpadeando en la pantalla LCD. Si esto ocurre, desenchufa la batidora de vaso y espera 30 minutos hasta que el motor se haya enfriado. Cuando se haya enfriado, podrás volver a utilizar la batidora de vaso como siempre.
 - No proceses líquidos calientes o en ebullición. Deja que se enfríen antes de ponerlos en la jarra de la batidora de vaso.
-  Este símbolo indica que el electrodoméstico no debe desecharse con la basura doméstica normal. Debe llevarse a un centro de recogida de residuos designado por las autoridades locales para ese fin, o a una empresa que preste ese servicio. Para obtener más información, ponte en contacto con los servicios municipales.
-  Para evitar descargas eléctricas, no sumerjas el enchufe, el cable de alimentación ni el electrodoméstico en agua ni otros líquidos.

GUARDA ESTAS INSTRUCCIONES



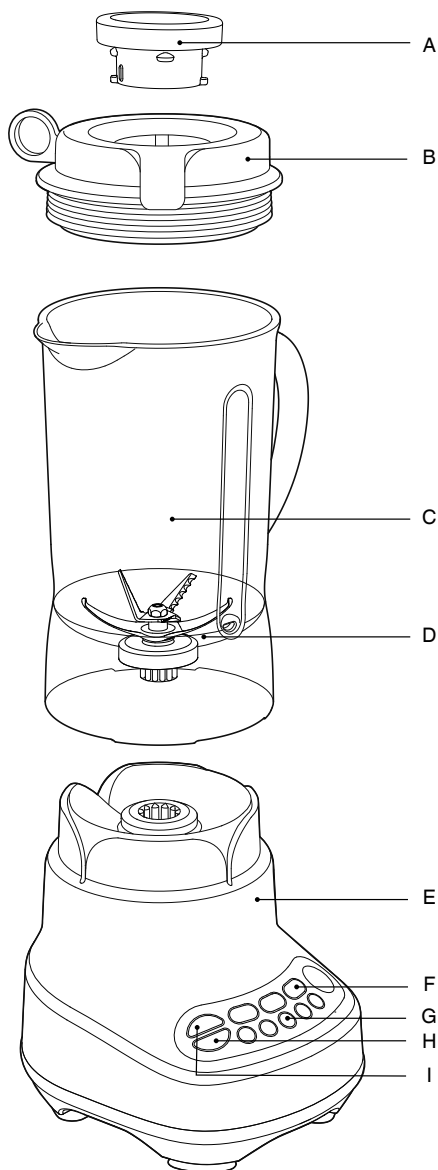
Componentes

- A. Tapa medidora interna
- B. Tapa Sage® Assist™
- C. Jarra Eastman Tritan™ sin BPA de 1,5 litros
A prueba de impactos, no se astilla y apta para lavavajillas.
- D. Sistema de minicuchillas y jarra Kinetix®
- E. Base de la batidora de vaso
- F. Programas SMOOTHIES y AUTO PULSE/ICE CRUSH
- G. 5 velocidades electrónicas
- H. Función de autolimpieza
- I. Botón ON / OFF: al pulsarlo la máquina se encenderá y estará lista para su uso.



NOTA

Compatible con Vac Q™ (BBL002), que se vende por separado.



Datos técnicos

220-240V~ 50-60Hz 1200-1300 W



Funciones

ANTES DEL PRIMER USO

Antes de usar la batidora de vaso Sage® por primera vez, retira cualquier material de embalaje y etiquetas promocionales.

Lava la tapa, la tapa interior y la jarra de la batidora de vaso (consulta “Cuidado y limpieza”) en agua tibia y jabonosa con un paño suave. Enjuaga y seca bien todo. No coloques las piezas en el lavavajillas (con la excepción de la jarra de la batidora de vaso).

Consulta la sección “Cuidado y limpieza” para más detalles. La base del motor puede limpiarse con un paño húmedo. Seca bien todo.

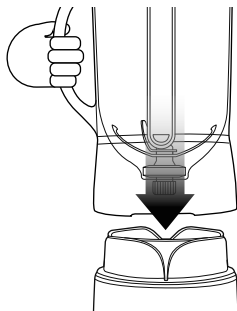
MONTAJE Y FIJACIÓN DE LA BATIDORA DE VASO

Paso 1

Coloca la base del motor sobre una superficie plana y seca, como una encimera. Asegúrate de que la base del motor esté apagada en el botón ON / OFF y de que el cable de alimentación esté desenchufado.

Paso 2

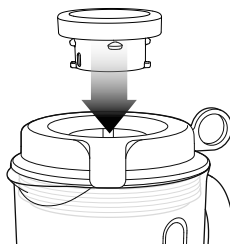
Con la jarra de la batidora de vaso en posición vertical, colócala en la base del motor. El asa de la batidora de vaso se puede colocar a la izquierda o a la derecha del electrodoméstico.



Paso 3

Añade alimentos o líquidos en la jarra de la batidora de vaso, asegurándote de no exceder la marca “MAX”.

Coloca la tapa de la batidora de vaso firmemente en su posición en la parte superior de la jarra de la batidora de vaso. Coloca la tapa medidora interna transparente en la tapa de la batidora de vaso y gírala en el sentido de las agujas del reloj para bloquearla en su posición.



Tu batidora de vaso Sage® cuenta con una tapa Sage® Assist™. Esto permite que la tapa encaje firmemente en la jarra de la batidora de vaso, evitando que se desplace durante el funcionamiento. El diseño de anilla permite al usuario retirar fácilmente la tapa con una simple acción de palanca.

Paso 4

Enchufa el cable de alimentación a una toma de corriente de 220-240 V y pon en marcha.

Paso 5

Pulsa el botón ON / OFF en el extremo izquierdo del panel de control para poner en marcha la batidora de vaso.

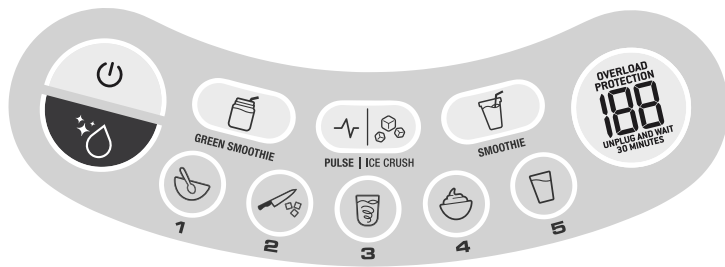
El botón ON / OFF se iluminará y parpadeará. La pantalla de temporizador LCD se iluminará y mostrará “00”.

- La luz parpadeante indica que está lista para funcionar. Evita el contacto con las piezas móviles durante el funcionamiento.
- No llenes la jarra de la batidora de vaso por encima de la línea “MAX”. Cuando la jarra de la batidora de vaso esté llena en o cerca de la línea “MAX”, coloca una mano en la tapa de la batidora de vaso para evitar el desplazamiento de la tapa durante el funcionamiento.



ADVERTENCIA

Los aceites en la piel de los cítricos pueden dañar el material de la jarra de la batidora de vaso si se expone a ellos durante un período más largo. Limpia siempre la jarra de tu batidora de vaso inmediatamente después de procesar la piel de los cítricos.



SELECCIÓN MANUAL DE VELOCIDAD ON / OFF

El botón ON / OFF pone la unidad en el modo Listo.

CONTROL DE VELOCIDAD ELECTRÓNICO

Hay 5 botones electrónicos de velocidad desde MIX hasta LIQUIFY.

MIX combina alimentos más delicados con un movimiento de plegado, y es bueno para combinar ingredientes húmedos y secos.

LIQUIFY es el ajuste más rápido, y es ideal para descomponer ingredientes para hacer cócteles y otras mezclas batidas finamente.

Selecciona la velocidad deseada (de 1 a 5) pulsando el botón de velocidad correspondiente. La batidora de vaso comenzará a funcionar y el botón de velocidad seleccionado se iluminará. El botón ON / OFF se iluminará y dejará de parpadear.

La pantalla del temporizador LCD comenzará a contar en incrementos de un segundo hasta que se alcancen los 120 segundos.



NOTA

Haz funcionar la batidora de vaso solo durante el tiempo necesario. No batas en exceso.

Cuando se alcanzan los 120 segundos, la batidora de vaso dejará de batir automáticamente y se apagará la iluminación del botón de velocidad seleccionado.

El botón ON / OFF se iluminará y parpadeará.

Después de unos segundos la pantalla del temporizador LCD volverá a "00".

- La batidora de vaso Sage® dejará de batir automáticamente después de 120 segundos. Es una característica de seguridad y restringe el desgaste del motor.
- La velocidad se puede cambiar en cualquier momento durante el proceso de batido. Cada vez que se seleccione una nueva velocidad, su botón se iluminará y la iluminación del botón de velocidad anterior se apagará. El número de segundos en la pantalla del temporizador LCD seguirá contando hasta 120 segundos a menos que se interrumpa.

Temporizador de cuenta atrás

El temporizador de la batidora de vaso cuenta en segundos mientras se bate a una de las 5 velocidades electrónicas desde MIX hasta LIQUIFY. Al usar el temporizador de esta manera, la batidora de vaso se detendrá después de 2 minutos.

PROGRAMAS PREESTABLECIDOS

Tu batidora de vaso Sage® cuenta con tres funciones adicionales: "AUTO PULSE/ICE CRUSH", "GREEN SMOOTHIE" y "SMOOTHIE". Estos tres ciclos preprogramados ajustan automáticamente el tiempo y la velocidad de batido para optimizar los resultados. La cantidad máxima de cubitos de hielo que la batidora de vaso puede batir en cualquier momento es 1 bandeja de hielo estándar o 250 g. Selecciona la función deseada pulsando el botón de función correspondiente. La batidora de vaso comenzará a funcionar y el botón de velocidad seleccionado se iluminará. El botón ON / OFF se iluminará y dejará de parpadear. La pantalla del temporizador LCD comenzará a contar en incrementos de un segundo hasta que se muestre "00".

AUTO CLEAN

Utilízalo para eliminar la mayoría de los ingredientes de las paredes de la batidora de vaso y de las cuchillas. Añade 2 tazas de agua jabonosa tibia y pulsa el botón de limpieza.

Para ingredientes más difíciles de limpiar, pegajosos o espesos, añade ½ cucharadita de detergente líquido para vajilla y obtendrás mayor poder de limpieza. Para obtener mejores resultados, limpia la jarra de la batidora de vaso de esta manera inmediatamente después de usarla.



NOTA

Si la batidora de vaso está funcionando y se pulsa un botón diferente, la velocidad cambiará automáticamente a ese programa sin parar.



ADVERTENCIA

Nunca coloques nada más que alimentos y líquidos en la batidora de vaso mientras el motor esté funcionando.



NOTA

Utiliza el botón PULSE cuando el alimento que está siendo procesado sea demasiado grueso o espeso para que circule dentro de la jarra de la batidora de vaso.

Al finalizar el uso, asegúrate siempre de que la batidora de vaso esté apagada pulsando el botón ON / OFF del panel de control. Luego desenchufa el cable. Asegúrate de que el motor y las cuchillas estén completamente parados antes de intentar mover el aparato, o cuando la batidora de vaso Sage® no esté en uso y antes de desmontarla, limpiarla y almacenarla.



Resolución de problemas

PROBLEMA	SOLUCIÓN FÁCIL
El motor no se pone en marcha o la cuchilla no gira	<ul style="list-style-type: none">• Comprueba que la jarra de la batidora de vaso y la tapa estén bien colocadas.• Comprueba que el botón ON / OFF y el botón de función seleccionado estén iluminados.• Comprueba que la clavija de alimentación esté correctamente insertada en la toma de corriente.
Los alimentos se pican de manera desigual	<ul style="list-style-type: none">• Esto puede suceder cuando se baten demasiados alimentos a la vez. Prueba una cantidad más pequeña y trabaja en lotes si es necesario.• Es posible que los ingredientes sean demasiado grandes. Intenta cortarlos en trozos más pequeños. Para obtener los mejores resultados, los ingredientes deben estar en trozos de no más de 2 cm.
Los alimentos se pican demasiado finos o quedan acuosos	<ul style="list-style-type: none">• Intenta batir por un período de tiempo más corto. Utiliza la función PULSE para un mejor control.
Los alimentos se pegan a la cuchilla y a la jarra	<ul style="list-style-type: none">• Es posible que la mezcla sea demasiado espesa. Añade más líquido o usa una velocidad más lenta para batir.
Batidora de vaso sobrecargada (todas las luces parpadean)	<ul style="list-style-type: none">• Esta batidora de vaso tiene protección de sobrecarga para prevenir daños al motor. OVERLOAD PROTECTION parpadeará en la pantalla LCD. Desenchufa y deja que la batidora de vaso se enfríe durante 30 minutos. Cuando se haya enfriado, podrás volver a utilizar la batidora de vaso como siempre.• Recomendamos batir en lotes más pequeños o cortar los ingredientes en lotes más pequeños.



Cuidado y limpieza

Jarra y tapa

Para mantener la jarra limpia y evitar que se sequen los alimentos en las cuchillas y la jarra, sigue los siguientes pasos tan pronto como sea posible después del uso

- Enjuaga la jarra y la tapa para eliminar los ingredientes.
- Llena la jarra con 500 ml de agua tibia y pulsa el botón AUTO CLEAN. Si los ingredientes espesos o pegajosos requieren un poder de limpieza adicional, añade unas gotas de detergente líquido para vajilla.
- Enjuaga la jarra y la tapa de nuevo o lava por separado en agua tibia jabonosa con un paño suave o un cepillo para botellas.
- Es más efectivo limpiar la jarra inmediatamente después de usarla.

Base del motor

Para limpiar la base del motor, límpiala con un paño suave y húmedo y sécala bien. Limpia cualquier exceso de partículas de alimentos del cable de alimentación.

Agentes limpiadores

No utilices estropajos o limpiadores abrasivos en la base del motor o en la jarra, ya que pueden rayar la superficie. Usa solo agua tibia jabonosa con un paño suave.

Lavavajillas

La jarra y la tapa de la batidora de vaso se pueden lavar en el lavavajillas en un ciclo de lavado estándar. La jarra se puede colocar en el estante inferior, sin embargo, la tapa y la tapa medidora interna se deben lavar solo en el estante superior. Ten en cuenta que lavar las piezas regularmente en el lavavajillas puede acortar la vida útil de las mismas debido a la exposición prolongada a detergentes fuertes, agua caliente y presión.

Manchas y olores de alimentos persistentes

Los alimentos con olor fuerte como el ajo, el pescado y algunas verduras como las zanahorias pueden dejar olor o manchas en la jarra y en la tapa de la batidora de vaso. Para quitarlo, deja en remojo la jarra y la tapa de la batidora de vaso durante 5 minutos en agua tibia jabonosa. Luego lava con un lavavajillas suave y agua tibia, enjuaga bien y seca bien. Guarda la jarra con la tapa quitada.

Almacenamiento

Guarda tu batidora de vaso en posición vertical con la jarra de la batidora de vaso montada en la base del motor, o al lado de ella. No coloques nada encima. Para permitir que el aire circule, no coloques la tapa.



Garantía

GARANTÍA LIMITADA DE 2 AÑOS

La garantía de Sage Appliances cubre este producto para uso doméstico en territorios específicos durante 2 años a partir de la fecha de compra contra fallos causados por mano de obra y materiales defectuosos. Durante el plazo de la garantía, Sage Appliances reparará o sustituirá productos defectuosos (a criterio de Sage Appliances).

Todos los derechos de garantía en virtud de la legislación nacional vigente serán respetados y no se verán afectados por nuestra garantía. Para consultar los términos y condiciones completos de la garantía, así como instrucciones sobre cómo hacer una reclamación, visite www.sageappliances.com

the Fresh & Furious™



PT MANUAL RÁPIDO

Sage®



Índice

- 2 A Sage® recomenda a segurança como máxima prioridade
- 5 Componentes
- 6 Funções
- 9 Resolução de problemas
- 10 Cuidados e limpeza
- 10 Garantia

A SAGE® RECOMENDA A SEGURANÇA COMO MÁXIMA PRIORIDADE

Na Sage®, temos a máxima preocupação com a segurança. Concebemos e produzimos produtos para o consumidor principalmente com a sua segurança, o nosso prezado cliente, em mente. Além disso, pedimos que tenha cuidado quando utilizar qualquer aparelho elétrico e que cumpra as precauções seguintes.

CUIDADOS IMPORTANTES



LEIA TODAS AS INSTRUÇÕES ANTES DE UTILIZAR E GUARDE-AS PARA CONSULTA FUTURA

- Está disponível uma versão transferível deste documento em sageappliances.com

- Antes de utilizar pela primeira vez, certifique-se de que a sua fonte de alimentação corresponde à indicada na etiqueta na parte inferior do aparelho.
- Remova e elimine todos os materiais da embalagem antes da primeira utilização.
- Para eliminar o risco de asfixia para as crianças, elimine de forma segura a cobertura de proteção instalada na ficha de alimentação.
- Este aparelho destina-se apenas a uso doméstico. Não utilize o aparelho para outra função diferente da utilização a que se destina. Não utilize em veículos em movimento ou barcos. Não utilize no exterior. A utilização incorreta pode causar ferimentos.
- Desenrole completamente o cabo de alimentação antes de utilizar.
- Coloque o aparelho numa superfície plana, estável, resistente ao calor e seca, afastado da extremidade e não utilize próximo de uma fonte de calor, como uma placa térmica, forno ou bico de gás.
- A vibração durante a operação pode fazer com que o aparelho se mova.
- Não deixe o cabo de alimentação pendurado sobre a extremidade de uma mesa ou bancada, em contacto com superfícies quentes nem permita que o cabo se enrosque.

- Certifique-se sempre de que o aparelho está desligado (OFF), e que a ficha foi retirada da tomada elétrica e arrefeceu totalmente antes de o limpar, tentar mover ou armazenar.
- Desligue sempre o aparelho (interruptor na posição OFF), desligue na tomada elétrica e retire a ficha da tomada elétrica quando não estiver em utilização.
- Não utilize o aparelho se o cabo de alimentação, ficha ou o próprio aparelho estiverem danificados de qualquer maneira. Contacte o serviço de atendimento ao cliente da Sage ou dirija-se a sageappliances.com se o aparelho estiver danificado ou for necessária qualquer tarefa de manutenção que não a de limpeza
- Qualquer tarefa de manutenção que não a de limpeza deve ser realizada por um centro de assistência autorizado pela Sage®.
- As crianças não devem brincar com o aparelho.
- As tarefas de limpeza do aparelho não devem ser executadas por crianças exceto caso tenham mais de 8 anos de idade e tenham supervisão.
- O aparelho e o cabo devem ser mantidos fora do alcance das crianças com idade inferior a 8 anos.
- Recomendamos a instalação de um comutador de segurança da corrente residual para fornecer segurança adicional ao utilizar todos os aparelhos elétricos.

- Recomendamos o uso de comutadores de segurança com uma corrente operacional nominal não superior a 30 mA. Consulte um electricista para obter aconselhamento profissional.
- Antes de utilizar, certifique-se sempre de que o aparelho foi montado corretamente de acordo com as instruções. Usar o aparelho sem estar corretamente montado pode provocar avarias do produto, danos no produto ou constituir um risco de segurança, incluindo lesões pessoais.
 - Não opere o aparelho sobre uma pia de cozinha.
 - Mantenha as mãos, dedos, cabelo, vestuário bem como espátulas e outros utensílios afastados das peças móveis ou rotativas durante o funcionamento.
 - Não utilize o aparelho para outra função que não a preparação de alimentos e/ou bebidas.
 - Não ligue um dispositivo de comutação externo (como um temporizador) ou ligue o aparelho a um circuito que possa ligar e desligar regularmente o aparelho para evitar o possível risco de arranque do aparelho devido à reinicialização acidental da proteção contra sobrecarga.
 - Leia cuidadosamente todas as instruções antes do funcionamento e guarde-as para consulta futura.

- O aparelho pode ser utilizado por pessoas com capacidades físicas ou mentais reduzidas ou com falta de experiência e conhecimento, mas apenas se tiverem supervisão ou receberem instruções relativas ao uso seguro do aparelho e compreenderem os perigos envolvidos.
 - Este aparelho não deve ser utilizado por crianças.
 - Não deixe o aparelho sem supervisão durante a utilização.
 - Permita que o motor descanse 1 minuto entre cada utilização.
 - Exerça os devidos cuidados ao manusear e limpar as lâminas e discos visto que são muito afiados. A utilização incorreta das lâminas pode causar ferimentos.
 - Evite colocar o copo ou a jarra na base do motor enquanto estiver a trabalhar.
 - Não opere sem qualquer ingrediente no copo ou na jarra.
 - Nunca tente operar com lâminas danificadas ou com utensílios ou objetos estranhos dentro do copo ou jarra.
 - Não coloque o copo ou a jarra em calor ou frio extremo, por exemplo, colocando uma jarra fria em água quente, ou vice-versa.
 - A tampa deve estar fixa à jarra antes da operação para garantir que o conteúdo interno não sai, salpica ou transborda.
 - Não remova a jarra da base do motor enquanto o liquidificador está a ser utilizado.
 - Não utilize o liquidificador enquanto a mensagem **OVERLOAD PROTECTION** (Proteção de sobrecarga) estiver a piscar no LCD. Caso ocorra, desligue o liquidificador e aguarde 30 minutos até que o motor arrefeça. Uma vez arrefecido, será capaz de utilizar o liquidificador novamente como de costume.
 - Não processe líquidos quentes ou a ferver. Deixe arrefecer antes de colocar na jarra do liquidificador.
-  O símbolo apresentado indica que este aparelho não deve ser eliminado juntamente com os resíduos domésticos normais. Deve ser encaminhado para um centro de recolha de resíduos da autoridade local designado para este fim ou um revendedor que forneça este serviço. Contacte a Câmara Municipal local para obter mais informações.
-  Não submerja a ficha elétrica, o cabo ou o aparelho em água ou qualquer outro líquido para proteger contra choques elétricos.

GUARDE ESTAS INSTRUÇÕES



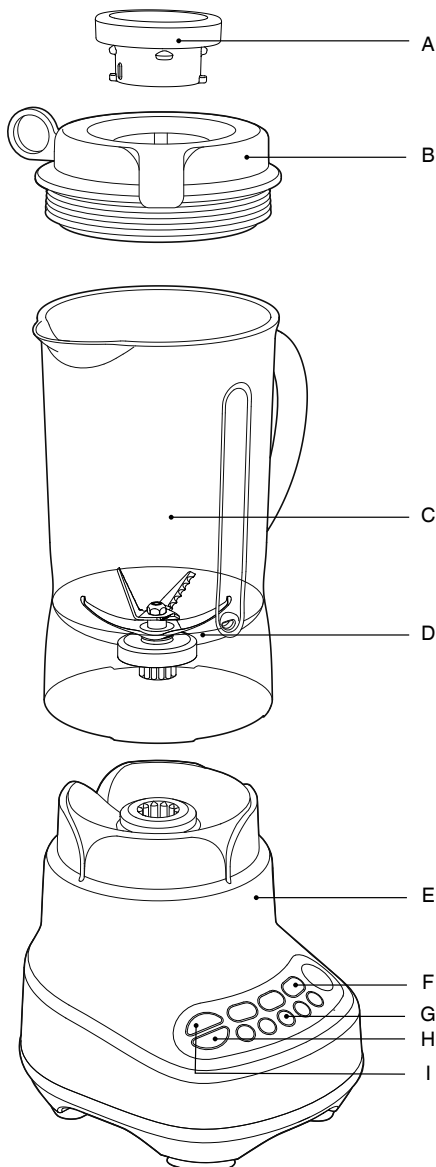
Componentes

- A. Copo de medição interno
- B. Tampa Sage® Assist™
- C. Jarra de 1,5 litros sem BPA Eastman Tritan™
Resistente a impactos, à prova de estilhaçamento e adequada para máquina de lavar louça.
- D. Conjunto de lâmina Kinetix® e taça
- E. Base do liquidificador
- F. Programas SMOOTHIES (Batidos) e AUTO PULSE/ICE CRUSH (Impulso/Esmagar gelo)
- G. 5 velocidades eletrónicas
- H. Função Auto Clean (Limpeza Automática)
- I. Botão On/Off (Ligar/Desligar) – liga a unidade no modo READY (Pronto).



NOTA

Compatível com the Vac Q™ (BBL002)
– venda separada.



Informação de classificação
220–240V ~ 50–60Hz 1200–1300 W



Funções

ANTES DA PRIMEIRA UTILIZAÇÃO

Remova qualquer material de embalagem e etiquetas promocionais antes de utilizar o liquidificador Sage® pela primeira vez.

Lave a tampa, a tampa interna, jarra do liquidificador com água morna e detergente com um pano macio (consulte "Cuidados e limpeza"). Enxague e deixe secar devidamente. Não coloque as peças na máquina de lavar louça (à exceção da jarra do liquidificador).

Consulte "Cuidados e limpeza" para obter detalhes adicionais. A base do motor pode ser limpa com um pano macio. Seque devidamente.

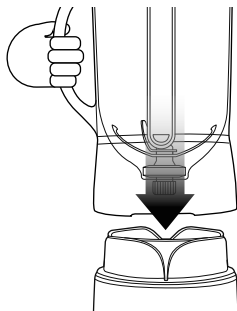
MONTAR E INSTALAR O LIQUIDIFICADOR

Passo 1

Coloque a base do motor numa superfície plana e seca, tal como uma bancada. Certifique-se de que a base do motor está desligada no botão ON/OFF (Ligar/Desligar) e que o cabo de alimentação está desligado.

Passo 2

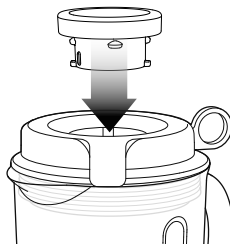
Com o liquidificador na vertical, coloque-o na base do motor. A pega do liquidificador pode ser colocada no lado direito ou esquerdo do aparelho.



Passo 3

Adicione alimentos ou líquidos ao liquidificador certificando-se de que não excede a marca "MAX" (Máximo).

Coloque firmemente a tampa do liquidificador na boca da jarra do liquidificador. Insira a tampa medidora interior transparente na tampa do liquidificador e rode no sentido dos ponteiros do relógio para a bloquear na devida posição.



O liquidificador Sage® inclui uma tampa Sage® Assist™. Esta tampa permite o ajuste perfeito na jarra do liquidificador para evitar que se mova durante o funcionamento. A conceção de anel para puxar permite que o utilizador retire a tampa com uma simples ação de puxar.

Passo 4

Ligue o cabo de alimentação a uma tomada elétrica de 220–240 V e ligue o aparelho.

Passo 5

Prima o botão ON/OFF (Ligar/Desligar) na extremidade esquerda do painel de controlo para ligar o liquidificador.

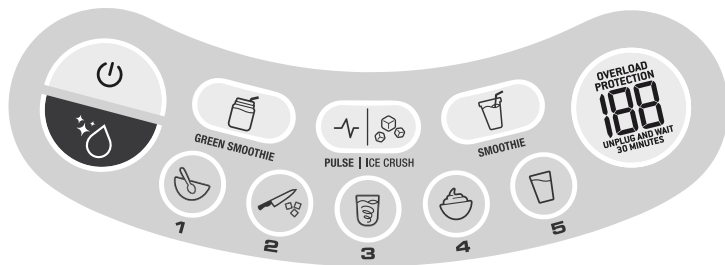
O botão ON/OFF (Ligar/Desligar) ilumina-se e pisca. O ecrã LCD do temporizador ilumina-se e apresenta "00".

- A luz intermitente indica que está pronto para funcionar. Evite qualquer contacto com as partes móveis durante o funcionamento.
- Não encha a jarra do liquidificador acima da linha "MAX" (Máximo). Quando a jarra do liquidificador está cheia até à linha "MAX" (Máximo) ou próximo dessa linha, coloque uma mão sobre a tampa do liquidificador para evitar que a tampa se mova durante o funcionamento.



AVISO

Os óleos na casca dos citrinos podem danificar o material da jarra do liquidificador se forem expostos durante muito tempo. Limpe sempre a jarra do liquidificador imediatamente após o processamento da casca do citrino.



SELEÇÃO MANUAL DA VELOCIDADE ON/OFF (Ligar/Desligar)

O botão ON/OFF (Ligar/Desligar) liga a unidade no modo READY (Pronto).

CONTROLO ELETRÔNICO DE VELOCIDADE

Existem 5 botões de velocidade eletrônica, de MIX (Misturar) até LIQUIFY (Liquidificar).

A função MIX (Misturar) combina alimentos mais delicados com um movimento de bater e é indicado para combinar ingredientes húmidos e secos.

A função LIQUIFY (Liquidificar) é a definição mais rápida e é ideal para triturar ingredientes para fazer cocktails e outras misturas finas.

Selecione a velocidade pretendida (de 1 a 5) premindo no botão de velocidade correspondente. O liquidificador começa a funcionar e o botão de velocidade selecionado ilumina-se. O botão ON/OFF (Ligar/Desligar) ilumina-se e para de piscar.

O ecrã LCD do temporizador inicia a contagem crescente com incrementos de um segundo até atingir 120 segundos.



NOTA

Misture apenas durante o período de tempo necessário – não misture os ingredientes excessivamente.

Ao atingir 120 segundos, o liquidificador para automaticamente e apaga-se a iluminação do botão de velocidade selecionado.

O botão ON/OFF (Ligar/Desligar) ilumina-se e pisca. Após alguns segundos, o ecrã LCD do temporizador regressa a "00".

- O liquidificador Sage® para automaticamente após funcionar durante 120 segundos. Esta é uma funcionalidade de segurança e evita o desgaste do motor.

- Pode alterar a velocidade em qualquer momento durante o processo de mistura. Sempre que selecionar uma nova velocidade, o respetivo botão ilumina-se e a iluminação do botão de velocidade anteriormente premido apaga-se. O número de segundos no ecrã LCD do temporizador continua a contagem crescente até alcançar 120 segundos a menos que seja interrompido.

Temporizador crescente

O temporizador do liquidificador inicia uma contagem crescente durante o funcionamento numa das 5 velocidades eletrônicas, de MIX (Misturar) a LIQUIFY (Liquidificar). Quando utiliza o temporizador deste modo, o liquidificador para após 2 minutos.

PROGRAMAS PREDEFINIDOS

O liquidificador Sage® inclui três funções adicionais, "AUTO PULSE/ICE CRUSH" (Impulso automático/Esmagar gelo), "GREEN SMOOTHIE" (Batido vegetal) e "SMOOTHIE" (Batido). Estes três ciclo pré-programados ajustam automaticamente o tempo e a velocidade de funcionamento para obter os melhores resultados de mistura. A quantidade máxima de cubos de gelo que o liquidificador pode picar de uma só vez é 1 tabuleiro de gelo padrão com 250 g. Selecione a função pretendida premindo no respetivo botão de função. O liquidificador começa a funcionar e o botão de função selecionado ilumina-se. O botão ON/OFF (Ligar/Desligar) ilumina-se e para de piscar. O ecrã LCD do temporizador inicia a contagem decrescente com incrementos de um segundo até atingir 0 segundos.

AUTO CLEAN (LIMPEZA AUTOMÁTICA)

Utilize para remover a maioria dos ingredientes das paredes do liquidificador e das lâminas. Adicione 2 chávenas de água morna com sabão e prima o botão de limpeza.

Para ingredientes mais difíceis de limpar, pegajosos ou pesados, adicione ½ colher de chá de detergente líquido lava louça para uma limpeza superior. Para melhores resultados, limpe a jarra do liquidificador desta maneira imediatamente após a utilização.



NOTA

Se o liquidificador estiver em funcionamento e premir outro botão, a velocidade muda automaticamente para o programa desse botão sem parar.



AVISO

Nunca coloque nada mais, para além de alimentos e líquidos, no liquidificador enquanto o motor estiver a funcionar.



NOTA

Utilize o botão PULSE (Impulso) quando os alimentos são muito espessos ou grosseiros para que circulem na jarra do liquidificador.

Quando terminar de utilizar, certifique-se de que o liquidificador está desligado premindo o botão ON/OFF (Ligar/Desligar) no painel de controlo. Em seguida, desligue o cabo. Certifique-se de que o motor e as lâminas pararam completamente antes de mover o aparelho ou quando ao liquidificador Sage® não estiver em utilização e antes de desmontar, limpar e guardar.



Resolução de problemas

PROBLEMA	SOLUÇÃO FÁCIL
O motor não arranca ou a lâmina não roda	<ul style="list-style-type: none"> • Verifique se a jarra e a tampa do liquidificador estão firmemente no lugar. • Verifique se o botão ON OFF (Ligar/Desligar) e o botão da função selecionada estão acesos. • Verifique se a ficha do cabo de alimentação está inserida na tomada elétrica.
Os alimentos são cortados irregularmente	<ul style="list-style-type: none"> • Isto pode acontecer quando está a ser misturada muita comida ao mesmo tempo. Tente menores quantidades e faça por partes, se necessário. • Os ingredientes podem ser muito grandes. Tente cortar em pedaços mais pequenos. Para melhores resultados, os ingredientes devem estar cortados em pedaços não maiores do que 2 cm.
A comida é cortada muito fina ou está aguada	<ul style="list-style-type: none"> • Tente misturar durante breves períodos de tempo. Utilize a função PULSE (Impulso) para obter um melhor controlo.
O alimento pega-se à lâmina e à jarra	<ul style="list-style-type: none"> • A mistura pode estar demasiado espessa. Tente adicionar mais líquido e/ou use uma velocidade menor para misturar.
Sobrecarga do liquidificador (todas as luzes intermitentes)	<ul style="list-style-type: none"> • Este liquidificador inclui uma proteção contra sobrecarga para evitar danos no motor. OVERLOAD PROTECTION (Proteção de sobrecarga) pisca no ecrã LCD. Desligue o liquidificador e deixe arrefecer durante 30 minutos. Uma vez arrefecido, será capaz de utilizar o liquidificador novamente como de costume. • Recomendamos misturar lotes menores ou cortar ingredientes em pedaços mais pequenos.



Cuidados e limpeza

Jarra e tampa

Para manter a jarra limpa e evitar que os alimentos sequem nas lâminas, jarra e tampa, siga os passos abaixo o mais depressa possível após o uso

- Enxague a jarra e a tampa para remover a maioria dos ingredientes.
- Encha a jarra com 500 ml de água morna e prima o botão AUTO CLEAN (Limpeza automática). Se for necessária uma limpeza mais profunda devido a ingredientes espessos ou pegajosos, adicione algumas gotas de detergente lava louça.
- Lave a jarra e a tampa novamente e/ou lave-os em separado em água morna com sabão utilizando um pano macio ou escova de garrafa.
- É mais eficaz limpar a jarra imediatamente após a utilização.

Base do motor

Limpe a base do motor com um pano suave e humedecido e, em seguida, seque-a cuidadosamente. Remova quaisquer resíduos de alimentos presentes no cabo de alimentação.

Agentes de limpeza

Não utilize esfregões abrasivos ou produtos de limpeza abrasivos na base do motor ou na jarra, visto que podem riscar a superfície. Utilize apenas água morna e detergente com um pano macio.

Máquina de lavar louça

A jarra e a tampa do liquidificador podem ser lavados na máquina de lavar louça num ciclo de lavagem normal. A jarra pode ser colocada na prateleira inferior, no entanto, a tampa e a tampa de medição interna devem ser lavadas apenas na prateleira superior. Tenha em atenção que a lavagem regular de peças na máquina de lavar louça podem reduzir a vida útil das peças devido à exposição prolongada a detergentes agressivos, água quente e pressão.

Resíduos de alimentos persistentes e odores

Alimentos com um cheiro forte, como alho e peixe e alguns vegetais, como cenouras, podem deixar odores ou manchas na jarra ou tampa do liquidificador. Para remover, deixe de molho a jarra e a tampa durante 5 minutos em água morna com sabão. Lave então com água morna e detergente suave, enxague bem e deixe secar cuidadosamente. Guarde a jarra sem a tampa.

Armazenamento

Guarde o liquidificador na vertical com o copo misturador montado na base do motor, ou ao lado. Não coloque nenhum objeto em cima da máquina. Para permitir a circulação de ar, mantenha-a sem a tampa.



Garantia

GARANTIA LIMITADA DE 2 ANOS

A Sage Appliances fornece uma garantia para este produto para uso doméstico nos territórios especificados de 2 anos a partir da data de compra contra avarias provocadas por defeitos na mão-de-obra e nos materiais. Durante este período da garantia, a Sage Appliances irá reparar, substituir ou reembolsar qualquer produto defeituoso (sob o critério exclusivo da Sage Appliances).

Todos os direitos legais da garantia ao abrigo da legislação nacional aplicável serão respeitados e não serão afetados pela nossa garantia. Visite www.sageappliances.com para consultar os termos e condições completos da garantia, bem como as instruções sobre como efetuar uma reclamação.

the Fresh & Furious™



PL SZYBKI PRZEWODNIK

Sage®



Spis treści

2	Ważne zalecenia dotyczące bezpieczeństwa
5	Opis Twojego nowego urządzenia
6	Obsługa Twojego nowego urządzenia
8	Rozwiązywanie problemów
8	Konserwacja i czyszczenie

WAŻNE INFORMACJE DOTYCZĄCE BEZPIECZEŃSTWA

W Sage® zdajemy sobie sprawę z wagi bezpieczeństwa. Projektujemy i produkujemy urządzenia przede wszystkim z troską o bezpieczeństwo użytkownika. Prosimy jednak o ostrożność i przestrzeganie podczas użytkowania urządzenia elektrycznego następujących zaleceń dotyczących bezpieczeństwa.

WAŻNE INFORMACJE DOTYCZĄCE BEZPIECZEŃSTWA

PODCZAS UŻYTKOWANIA URZĄDZEŃ ELEKTRYCZNYCH NALEŻY PRZESTRZEGAĆ PODSTAWOWYCH ZALECEŃ DOTYCZĄCYCH BEZPIECZEŃSTWA:

- Pełny tekst instrukcji dostępny jest na stronach sageappliances.com.

- Przed pierwszym użyciem upewnij się, że napięcie w gniazdku sieciowym odpowiada napięciu podanemu na tabliczce znamionowej na spodzie urządzenia.
- Przed pierwszym użyciem urządzenia usuń i w bezpieczny i ekologiczny sposób zutylizuj wszelkie materiały pakunkowe i reklamowe.
- Aby wykluczyć ryzyko uduszenia małych dzieci, usuń opakowanie ochronne wtyczki przewodu sieciowego tego urządzenia i w bezpieczny sposób je zutylizuj.
- Urządzenie jest przeznaczone wyłącznie do użytku w domu. Pod żadnym pozorem nie używaj urządzenia do innych celów niż te, do których jest ono przeznaczone. Nie używaj tego urządzenia w poruszających się pojazdach ani na statkach. Nie należy korzystać z niego na dworze. W przeciwnym razie istnieje ryzyko powstania obrażeń.
- Przed użyciem rozwiń całkowicie kabel zasilania.
- Umieść urządzenie na stabilnej, równej i suchej powierzchni odpornej na działanie wysokiej temperatury, daleko od krawędzi blatu; nie umieszczaj urządzenia w pobliżu źródeł ciepła, takich jak kuchenki, piekarniki lub palniki gazowe.
- Drgania podczas użytkowania mogą spowodować niepożądane przesuwanie się urządzenia.
- Nie przewieszaj kabla zasilającego przez krawędź stołu lub blatu roboczego. Zadbaj o to, aby nie dotykał gorących powierzchni ani się nie zaplątał.

- Przed przesunięciem, demontażem, czyszczeniem lub przechowywaniem lub jeśli nie będziesz korzystać z urządzenia, upewnij się, że jest ono wyłączone, odłączone od sieci i ostygnięte.
- Jeżeli nie korzystasz z urządzenia wyłącz je i odłącz przewód zasilający z gniazdka sieciowego.
- Nie korzystaj z urządzenia, jeśli jest w jakikolwiek sposób uszkodzone lub jeśli uszkodzony jest przewód zasilający lub wtyczka. Naprawy i konserwację wykraczającą poza zwykłe czyszczenie należy powierzyć najbliższemu autoryzowanemu serwisowi Sage lub znaleźć pomoc na sageappliances.com.
- Jakąkolwiek konserwację wykraczającą poza zwykłe czyszczenie należy powierzyć autoryzowanemu serwisowi Sage®.
- Dzieciom nie wolno bawić się urządzeniem.
- Czyszczenie i konserwację przeprowadzaną przez użytkownika można powierzyć dzieciom tylko w przypadku, że ukończyły 8 rok życia i są pod nadzorem.
- Urządzenie i jego przewód zasilający należy przechowywać poza zasięgiem dzieci poniżej 8 roku życia.
- Zaleca się zainstalowanie ochronnika przepięciowego (standardowy włącznik w gniazdku) w celu zagwarantowania zwiększonej ochrony podczas użytkowania urządzenia. Zaleca się, aby w obwodzie elektrycznym, w którym urządzenie będzie użytkowane, zainstalowany był ochronnik przepięciowy (z nominalnym prądem szczytkowym max. 30 mA). Zwróć się do swego elektryka o specjalistyczną pomoc.
- Przed podłączeniem urządzenia do gniazdka elektrycznego i jego włączeniem, sprawdź, czy jest kompletnie i prawidłowo zmontowane. Urządzenie się nie włączy, jeśli nie zostało prawidłowo złożone.
- Nie korzystaj z urządzenia na metalowym podłożu, na przykład w zlewie.
- Zachowaj ostrożność podczas używania urządzenia – nie zbliżaj rąk, palców, włosów, odzieży, łyżek ani innych przyborów kuchennych do ruchomych lub obracających się części.
- Urządzenie służy do przygotowywania soków owocowych i warzywnych. Nie używaj urządzenia do innych celów niż te, do których jest ono przeznaczone.
- Nie korzystaj z tego urządzenia przy pomocy programatora, czasowego włącznika ani jakiegokolwiek innej części włączającej urządzenie automatycznie.
- Przed rozpoczęciem obsługi urządzenia dokładnie przeczytaj wszystkie instrukcje i zachowaj je w bezpiecznym miejscu, by móc z nich skorzystać w przyszłości.
- Z urządzenia mogą korzystać osoby o obniżonych zdolnościach fizycznych, percepcyjnych i umysłowych lub niewielkim doświadczeniu i wiedzy, o ile jest nad nimi sprawowany nadzór lub zostały one pouczone o korzystaniu

z urządzenia w bezpieczny sposób i zdają sobie sprawę z ewentualnego niebezpieczeństwa.

- Z tego urządzenia nie mogą korzystać dzieci.
- Nie pozostawiaj włączonego urządzenia bez nadzoru.
- Pozostaw silnik do ostygnięcia przez 1 minutę przed każdym kolejnym użyciem.
- Należy zachować szczególną ostrożność podczas pracy z nożami, ponieważ są one bardzo ostre. Przy niewłaściwej obsłudze noży istnieje ryzyko powstania obrażeń.
- Nie należy zakładać pojemnika na korpus silnika podczas działania silnika.
- Nie należy uruchamiać urządzenia, jeżeli w pojemniku miksera nie znajdują się żadne produkty lub płyny.
- Nigdy nie włączaj miksera, jeśli noże są uszkodzone lub jeśli w pojemniku miksera znajduje się łyżka, szpatułka lub inny przedmiot.
- Nie wystawiaj pojemnika miksera na działanie ekstremalnego gorąca lub zimna, umieszczając na przykład zimny pojemnik w gorącej wodzie i odwrotnie.
- Pokrywa musi być dobrze założona na pojemnik przed włączeniem, aby zagwarantować, że płyn w pojemniku nie wycieknie, nie wytryśnie lub się nie przeleje.
- Podczas pracy nie zdejmuj pojemnika z korpusu urządzenia.
- Nie miksuj gorących lub wrzących płynów. Przed

umieszczeniem ich w pojemniku miksera należy je ostudzić.

- Nie używaj miksera, jeśli na wyświetlaczu LCD mruga OVERLOAD PROTECTION. Jeśli tak się stanie, wyjmij wtyczkę przewodu zasilania z gniazdka i odczekaj około 30 minut do ostygnięcia silnika. Po ostygnięciu miksera będzie można go ponownie używać.
- Nie miksuj nadmiernej ilości produktów dłużej niż przez 1 minutę. Przez dużą ilość rozumie się: 6 kostek lodu (120 g), 3 mrożone przepołowione banany (250 g), 180 g mrożonych malin, 500 ml mleka, 3 gałki lodów (140 g). Nie miksuj w mikserze ilości podanych powyżej lub większych dłużej niż przez 1 minutę.



Ten symbol umieszczony na produktach lub w dokumentacji przewodniej oznacza, że zużyte urządzenia elektryczne lub elektroniczne nie mogą być wyrzucane wraz ze zwykłym odpadem komunalnym. Aby je prawidłowo zutylizować, odnowić lub poddać recyklingowi, oddaj te wyroby do odpowiednich punktów skupu. Szczegółowych informacji udzieli najbliższy lokalny urząd lub najbliższy punkt zbiórki odpadów.



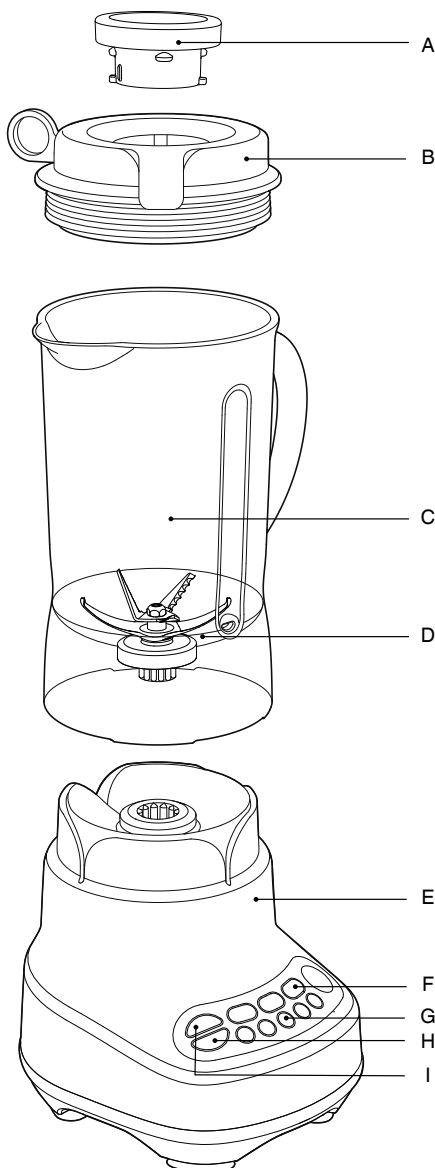
Aby uniknąć porażenia prądem elektrycznym, nie wolno zanurzać przewodu zasilającego, wtyczki przewodu zasilającego lub korpusu urządzenia w wodzie lub innej cieczy.

ZACHOWAJ NINIEJSZE INSTRUKCJE



Opis Twojego nowego urządzenia

- A. Pokrywka wewnętrzna z miarką
- B. Pokrywa z systemem Sage® Assist™
- C. Pojemnik 1,5 l do miksowania z Eastman Tritanu™, BPA free
Odporny na uderzenia i rozbicie, można myć w zmywarce do naczyń.
- D. Kinetix® system noży i pojemnika
- E. Korpus miksera
- F. Programy SMOOTHIES i AUTO PULSE / ICE CRUSH
- G. 5 prędkości
- H. Funkcja Auto Clean (automatyczne czyszczenie)
- I. Przycisk zasilania – włącza urządzenie w trybie GOTOWOŚCI.



UWAGA

Urządzenie kompatybilne z przystawką Vac Q™ (BBL002) – do nabycia osobno.



Informacje techniczne:

220–240V~ 50-60Hz 1200–1300 W Produkt jest zgodny z wymogami UE.



Obsługa Twojego nowego urządzenia

PRZED PIERWSZYM UŻYCIEM

Przed pierwszym użyciem miksera Sage® usuń i w bezpieczny i ekologiczny sposób zlikwiduj wszelkie materiały pakunkowe i reklamowe.

Umyj pokrywę, pokrywkę wewnętrzną, pojemnik miksera (więcej w części „Czyszczenie i konserwacja”) w ciepłej wodzie z odrobiną płynu do mycia naczyń przy pomocy miękkiej gąbki. Oplucz i wytrzyj do sucha. Nie wkładaj żadnej części (z wyjątkiem pojemnika miksera) do zmywarki do naczyń.

Kieruj się instrukcjami w części „Konserwacja i czyszczenie”. Korpus miksera wytrzyj lekko zwilżoną ściereczką. Wytrzyj do sucha.

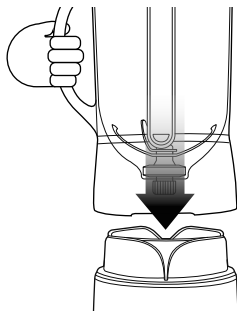
MONTAŻ I MOCOWANIE POJEMNIKA MIKSERA

Krok 1

Ustaw korpus miksera na równej, suchej powierzchni, np. na blacie roboczym. Upewnij się, że mikser jest wyłączony i że przewód zasilający jest odłączony od źródła energii.

Krok 2

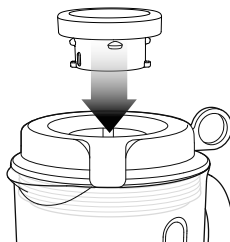
Pojemnik miksera załóż na korpus miksera. Rękojeść pojemnika powinna być skierowana w lewo lub w prawo.



Krok 3

Do pojemnika miksera włóż produkty lub płyny, które mają zostać przetworzone; nigdy nie przekraczaj znacznika MAX.

Na pojemnik miksera załóż pokrywę. Do pokrywy włóż pokrywkę wewnętrzną i obróć pokrywkę w kierunku ruchu wskazówek zegara na pozycję blokady.



Mikser Sage® jest wyposażony w praktyczną pokrywę z systemem Sage® Assist™. System ten zapewnia, że pokrywa dobrze pasuje do pojemnika miksera i zapobiega przemieszczaniu pokrywy podczas pracy. Oczko w pokrywie służy do łatwego zdjęcia pokrywy poprzez pociągnięcie ku górze.

Krok 4

Podłącz wtyczkę przewodu zasilającego do gniazdka 220–240 V i włącz mikser.

Krok 5

Wciśnij przycisk włączenia/wyłączenia umieszczony w lewej części panelu sterowania.

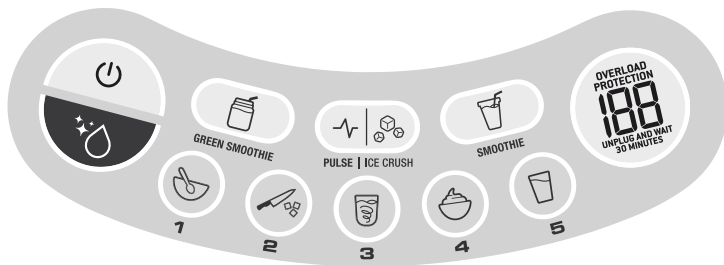
Przycisk włączenia/wyłączenia zapali się i zacznie mrugać. Na wyświetlaczu LCD pojawi się timer w formacie „00”.

- Mrugający przycisk oznacza, że mikser jest gotowy do użycia. Nie dopuść do kontaktu z ruchomymi częściami podczas działania miksera.
- Nie napełniaj pojemnika miksera ponad znacznik MAX. Gdyby mikser był napełniony po znacznik MAX lub jej pobliże, połóż jedną rękę na pokrywie miksera, aby zapobiec niepożądanemu ruchowi pokrywy podczas pracy.



OSTRZEŻENIE

Oleje zawarte w skórce cytrusów mogą zniszczyć materiał, z którego wyprodukowany jest pojemnik miksera, w przypadku zbyt długiego oddziaływania olejów na niego. Zawsze czyść pojemnik miksera natychmiast po obróbce produktów.



RĘCZNY WYBÓR PRĘDKOŚCI

Przycisk włączenia/wyłączenia służy do przełączenia urządzenia na tryb gotowości.

REGULACJA PRĘDKOŚCI

Urządzenie jest wyposażone w 5 regulowanych elektronicznie prędkości, od najwolniejszej MIX do najszybszej LIQUIFY.

Prędkość MIX służy do mieszania kruchych produktów przez ostrożne obracanie i nadaje się także do mieszania ciekłych i sypkich składników.

Prędkość LIQUIFY to najszybsze ustawienie, idealne do kruszenia składników do przygotowania koktajli i innych napojów.

Wybierz odpowiednią prędkość (1 do 5) przez wciśnięcie właściwego przycisku. Mikser się włączy i wybrany przycisk prędkości się zapali. Przycisk włączenia/wyłączenia zapali się i przestanie mrugać. Na wyświetlaczu LCD włączy się odliczanie czasu w sekundach, do 120 sekund.



UWAGA

Mikser należy uruchamiać wyłącznie na czas zalecany w instrukcji – nie miksuj składników zbyt długo.

Po upływie 120 sekund mikser automatycznie się zatrzyma i przycisk wybranej prędkości zgaśnie.

Przycisk włączenia/wyłączenia zapali się i zacznie mrugać. Po kilku sekundach na wyświetlaczu LCD ponownie pojawi się „00”.

- Mikser Sage® automatycznie się wyłączy po 120 sekundach. Jest to bezpiecznik zapobiegający uszkodzeniu silnika.
- Prędkość można zmienić kiedykolwiek podczas procesu miksowania. Po zmianie prędkości zapali się przycisk wybranej prędkości, a przycisk poprzednio wybranej prędkości zgaśnie. Czas na wyświetlaczu LCD będzie jednak naliczany w dalszym ciągu do 120 sekund bez przerwy.

Odmierzanie czasu

Mikser wyświetla na wyświetlaczu LCD odliczanie czasu w sekundach podczas miksowania na jednej z 5 prędkości od MIX po LIQUIFY. Jeśli używasz miksera w ten sposób, mikser wyłączy się automatycznie po 2 minutach (120 sekund).

PROGRAMY FABRYCZNE

Mikser Sage® jest wyposażony w 3 programy fabryczne: AUTO PULSE / ICE CRUSH, GREEN SMOOTHIE i SMOOTHIE. Każdy z tych programów posiada automatycznie ustawiony czas i prędkość miksowania w celu osiągnięcia optymalnych wyników. Maksymalna ilość kostek lodu, które można rozdrobnić w mikserze podczas 1 miksowania, to 1 zwykła tacka na lód lub 250 g. Wybierz odpowiedni program, wciskając przycisk programu fabrycznego. Mikser się włączy i wybrany przycisk programu fabrycznego się zapali. Przycisk włączenia/wyłączenia zapali się i przestanie mrugać. Na wyświetlaczu LCD włączy się odliczanie czasu w sekundach, do 00 sekund.

AUTO CLEAN

Służy do usunięcia większości składników ze ścianek i noży w pojemniku miksera. Wlej 2 szklanki (500 ml) ciepłej wody i niewielką ilość detergentu, naciśnij przycisk Auto Clean (automatyczne czyszczenie).

W celu dokładniejszego oczyszczenia lepkich lub gęstych składników dodaj ½ łyżeczki płynu do mycia naczyń. Najlepsze efekty daje czyszczenie pojemnika natychmiast po użyciu.



UWAGA

Jeżeli podczas pracy naciśnięto inny przycisk, prędkość zmieni się automatycznie na wybraną wartość.



OSTRZEŻENIE

Do miksera nie wkładaj nic poza produktami spożywczymi i płynami przeznaczonymi do miksowania.



UWAGA

Użyj funkcji PULSE, jeżeli produkty są zbyt gęste lub duże, aby zapewnić równomierne miksowanie.

Po zakończeniu miksowania upewnij się, że mikser jest wyłączony przez wciśnięcie przycisku włączenia/wyłączenia na panelu sterowania. Wyjmij wtyczkę przewodu zasilającego z gniazdka sieciowego. Przed przemieszczeniem urządzenia lub jeśli mikser Sage® nie będzie użytkowany oraz przed jego rozłożeniem upewnij się, że silnik i noże całkiem się zatrzymały.



Rozwiązywanie problemów

PROBLEM	ROZWIĄZANIE
Silnik się nie uruchomił lub noże się nie obracają.	<ul style="list-style-type: none">• Sprawdź, czy pojemnik miksera i pokrywa są prawidłowo założone.• Skontroluj, czy przyciski włączenia/wyłączenia i wybranego programu są zapalone.• Sprawdź, czy przewód zasilający jest podłączony do gniazdka.
Produkty są nierównomiernie zmiksowane.	<ul style="list-style-type: none">• Może się tak zdarzyć, jeżeli w kielichu znajduje się zbyt dużo produktów. Włóż mniejszą ilość i miksuj partiami w razie potrzeby.• Składniki są zbyt duże. Pokój je na mniejsze kawałki. Najlepszy efekt daje krojenie składników na kawałki o wielkości ok. 2 cm.
Produkty są zbyt drobno posiekane lub zbyt wodniste.	<ul style="list-style-type: none">• Spróbuj skrócić czas pracy. Do lepszej regulacji użyj przycisku PULSE.
Produkty przyklejają się do noży i pojemnika.	<ul style="list-style-type: none">• Mieszanina jest zbyt gęsta. Dodaj trochę wody lub wybierz mniejszą prędkość.
Mikser jest przeciążony (wszystkie przyciski migają).	<ul style="list-style-type: none">• Mikser jest wyposażony w bezpiecznik chroniący przed przeciążeniem, który zapobiega uszkodzeniu silnika. Na wyświetlaczu LCD mruga „OVERLOAD PROTECTION”. Odłącz przewód zasilający z gniazdka i pozostaw urządzenie do ostygnięcia na ok. 30 minut. Po ostygnięciu miksera będzie można go ponownie używać.• Zaleca się miksowanie mniejszej ilości produktów lub pokrojenie składników na mniejsze kawałki.



Konserwacja i czyszczenie

Pojemnik i pokrywa

Aby utrzymać pojemnik w czystości i zapobiec zasychaniu produktów na nożach i pojemniku, po każdym użyciu postępuj zgodnie z poniższą procedurą:

- Splucz produkty z pojemnika i pokrywy.
- Wlej 500 ml ciepłej wody i naciśnij przycisk AUTO CLEAN. Gęste lub lepkie składniki wymagają dużej siły czyszczenia, dlatego należy do nich dodać kilka kropel detergentu w płynie.
- Wypłucz pojemnik i pokrywę lub umyj je w ciepłej wodzie z mydłem przy pomocy miękkiej gąbki lub szczotki do butelek.
- Najlepsze efekty daje czyszczenie pojemnika natychmiast po użyciu.

Korpus miksera

Korpus silnika przetrzyj miękką ściereczką zwilżoną w wodzie i wytrzyj do sucha. Oczyszcz przewód zasilający z ewentualnych pozostałości produktów spożywczych.

Środki czyszczące

Do czyszczenia korpusu silnika ani pojemnika do miksowania nie używaj szczotek drucianych lub szorujących środków czyszczących, które mogłyby nieodwracalnie uszkodzić powierzchnię. Używaj wyłącznie wody z niewielką ilością płynu do mycia naczyń i miękkiej ściereczki.

Zmywarka do naczyń

Pojemnik miksera i pokrywę można włożyć do zmywarki do naczyń i myć w standardowym cyklu. Pojemnik należy umieścić w dolnym koszu, natomiast pokrywę z wewnętrzną pokrywką w górnym koszu. Mycie w zmywarce może bezpowrotnie uszkodzić akcesoria ze względu na wystawienie tych części na działanie skoncentrowanych środków czyszczących, gorącej wody i ciśnienia.

Plamy od produktów i zapach

Produkty o silnym zapachu, takie jak czosnek, ryby lub niektóre warzywa (marchew) mogą pozostawić nieprzyjemny zapach lub plamy na pojemniku miksera lub pokrywie. Aby je usunąć, należy namoczyć pojemnik miksera i pokrywę w ciepłej wodzie z mydłem przez ok. 5 minut. Następnie umyj ją w ciepłej wodzie z dodatkiem niewielkiej ilości płynu do mycia naczyń, wypłucz i wytrzyj do sucha. Pojemnik należy przechowywać bez założonej pokrywy.

Przechowywanie

Mikser należy przechowywać w pozycji poziomej, z pojemnikiem umieszczonym na podstawie silnika lub obok niej. Na mikserze nie należy kłaść żadnych przedmiotów. Należy zapewnić swobodny dopływ powietrza i nie zakładać pokrywy na pojemnik.



Gwarancja

OGRANICZONA GWARANCJA NA 2 LATA

Firma Sage Appliances obejmuje niniejszy produkt gwarancją na wady produkcyjne i materiałowe pod warunkiem korzystania z niego w warunkach domowych. Gwarancja obowiązuje w ciągu dwóch lat od zakupu i w określonych regionach. W czasie okresu gwarancji firma Sage Appliances naprawi lub wymieni wadliwe produkty lub zwróci ich koszt (decyzja należy wyłącznie do firmy Sage Appliances).

Będą przestrzegane wszelkie prawa dotyczące gwarancji zawarte w prawodawstwie danego kraju, a niniejsza gwarancja nie ma na nie wpływu. Pełne warunki gwarancji oraz instrukcje dotyczące składania reklamacji można znaleźć w witrynie www.sageappliances.com

GBR

BRG Appliances Limited
Unit 3.2, Power Road Studios,
114 Power Road, London, W4 5PY
Freephone (UK Landline): 0808 178 1650
Mobile Calls (National Rate): 0333 0142 970

DEU

AUT

Sage Appliances GmbH
Campus Fichtenhain 48, 47807 Krefeld,
Deutschland
Deutschland: 0800 505 3104
Österreich: 0800 80 2551

FRA

Sage Appliances France SAS
Siège social: 66 avenue des Champs
Elysées – 75008 Paris
879 449 866 RCS Paris
France: 0800 903 235

IRE

Ireland
1800 932 369

NL

Netherlands
0800 020 1741

ITA

Italy
800 909 773

ESP

Spain
0900 838 534

PTR

Portugal
0800 180 243

POL

Poland
00800 121 8713

BEL

Belgium
0800 54 155

CHE

Switzerland
0800 009 933

LUX

Luxembourg
0800 880 72

DNK

Denmark
80 820 827

SWE

Sweden
0200 123 797

FIN

Finland
0800 412 143

NOR

Norway
80 024 976

Sage®

www.sageappliances.com

Registered in England & Wales No. 8223512
Registered in Germany No. HRB 81309 (AG Düsseldorf)
Registered in France No. 879 449 866 RCS

EN Due to continued product improvement, the products illustrated or photographed in this document may vary slightly from the actual product.

DE Aufgrund unserer kontinuierlichen Produktverbesserungen kann die hier gezeigte Abbildung geringfügig vom tatsächlichen Produkt abweichen.

FR En raison de leur amélioration continue, les produits représentés ou photographiés dans le présent document peuvent différer légèrement du produit réel.

NL Vanwege voortdurende productverbeteringen, kunnen de afgebeelde producten in dit document licht afwijken van het eigenlijke product.

IT A causa del continuo miglioramento dei prodotti, il prodotto descritto o illustrato in questo documento può variare leggermente rispetto al prodotto reale.

ES Perfeccionamos nuestros productos continuamente, por lo que el artículo podría diferir ligeramente de la ilustración o la fotografía en este documento.

PT Devido à melhoria contínua dos produtos, os produtos ilustrados ou fotografados neste documento podem variar ligeiramente do produto real.

PL Ze względu na stale przeprowadzane ulepszenia, produkty przedstawione na ilustracjach lub zdjęciach w tym dokumencie mogą różnić się od używanego produktu.

DA På grund af løbende produktudvikling kan de illustrerede eller fotograferede produkter i dette dokument variere en smule fra det faktiske produkt.

SV På grund av kontinuerlig produktförbättring kan produkterna som visas i illustrationerna och fotografierna i detta dokument skilja sig något från den faktiska produkten.

FI Jatkuvan tuotekehittelyn seurauksena kuvituksen tuotteet eivät välttämättä ole täysin samanlaisia kuin varsinaisen tuote.

NO På grunn av kontinuerlig produktutvikling kan produktene som er vist eller avfotografert i dette dokumentet, variere noe fra det faktiske produktet.

Copyright BRG Appliances 2022

BBL620 /W | SBL620 /W UG8 – E22